

83-86 Sorters

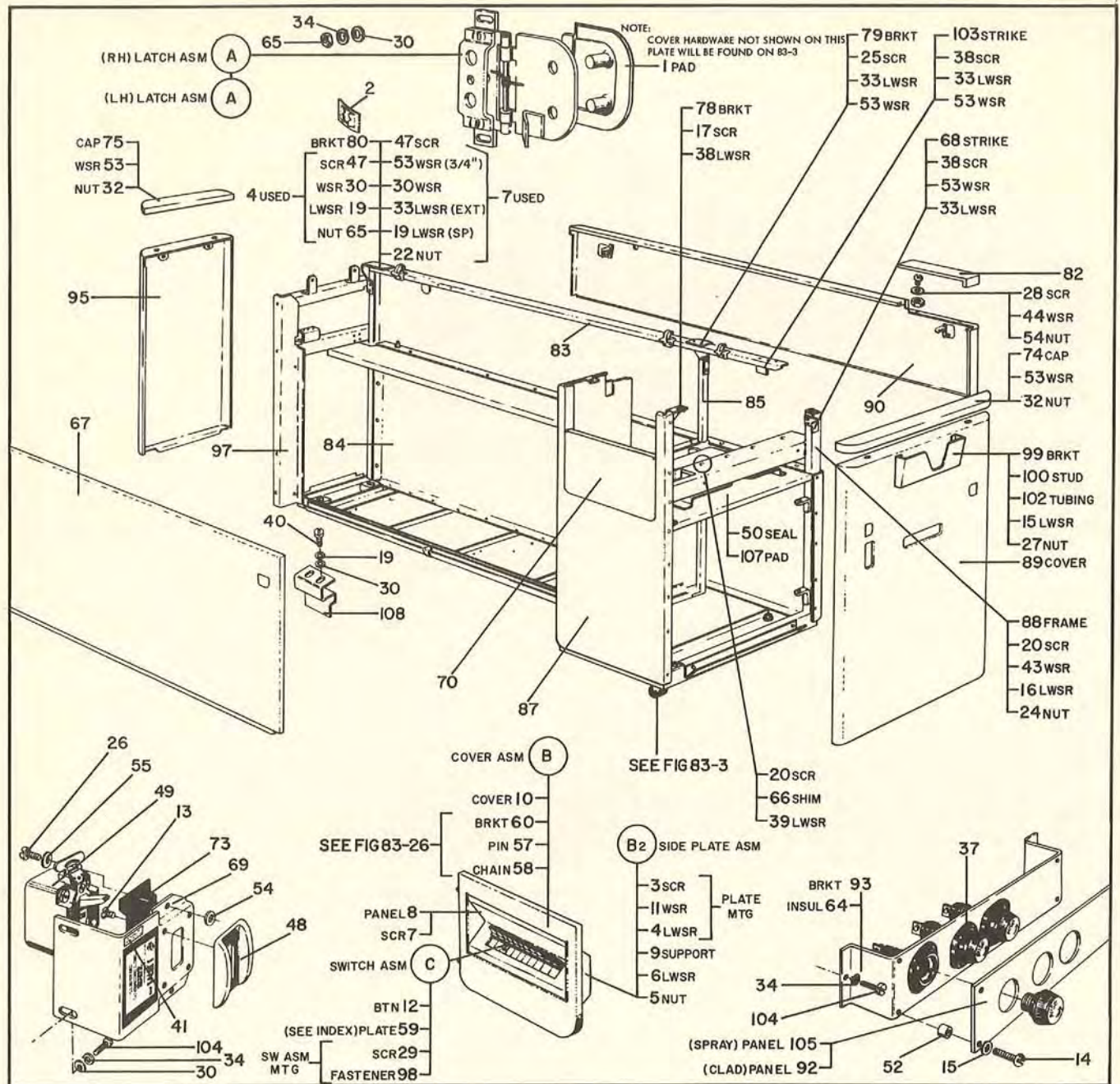
IBM® Parts Catalog

83-86 Sorters

All assemblies are identified by an alphabetical character enclosed in a circle. The component parts of the assembly are indicated by a reference no. When an assembly is listed, for example B, all parts that are listed between B and C are component parts of B.

Table of Contents

Figure	1	Cover View (Clad), Fuse Panel & Mainline Switch
	2	Cover View Index (Vinyl Spray)
	3	Cover View (Vinyl Spray)
	4	Feed & Hopper (83 Std)
	5	Feed & Hopper (86)
	6	Feed & Hopper (51-80 & Aperture Device)
	7	Index Head
	8	Index Head, Jam Bar & Card Guide (86)
	9	Lower Card Guide & Jam Bar Asms
	10	Selector & Contact Roll Drive
	11	Selector Unit Asm (80 Column)
	12	Selector Unit Asm (51-80 Column)
	13	Chute Blades & Front Bearings
	14	Rear Bearings
	15	Motor & Drive
	16	Feed Rolls (83-86 Standard)
	17	Feed Rolls (51-80 & Aperture Device)
	18	Pocket Stackers & Deflector Asms
	19	Stacker View (86)
	20	Transport View (51-80 & Aperture Device)
	21	CB Unit Asms (Composite)
	22	Relay Gates (Late Models)
	23	Relay Gates (Early Models)
	24	Power Supplies & Converters
	25	Special Features Relay Gate & MCS Chassis
	26	Switch Panels
	27	Pocket Shifting View (51-80)
	28	File Feed View # 1
	29	File Feed View # 2
	30	File Feed View # 3
	31	Auxiliary Card Counter
	32	Card Counter Unit (978)
	33	MCS Control Panel View
	34	MCS Control And Right End Cover Asms
	35	Group Sort Components
36 - 46		Numerical Listing



A	336739	LATCH ASM-RIGHT HAND	25	32617	SCREW	64	311388	INSULATION-FUSE PANEL
A	336740	LATCH ASM-LEFT HAND	26	38443	SCREW-MTG	65	313731	NUT-BRACKET MTG
1	207543	PAD-FLUSH LATCH	27	38051	NUT-CARD WEIGHT BRACKET MTG	66	336422	SHIM
2	219615	NUT-SPEED	28	38235	SCREW-BACK COVER CAP	67	336421	COVER-FRONT LOWER
B	207167	COVER ASM-HARDWARE AND	29	38574	SCREW-SWITCH MTG	68	336429	STRIKE-LATCH
3	1942	SCREW-PLATE MTG	30	45690	WASHER-MTG	69	336432	BRACKET-MAINLINE SWITCH
4	6364	LOCKWASHER-PLATE MTG	32	55467	NUT-MTG	70	336437	PANEL-SPECIAL FEATURES
5	38051	NUT-PLATE MTG	33	56079	LOCKWASHER-MTG	72	336442	SHIM
6	56722	LOCKWASHER-PLATE MTG	34	56121	LOCKWASHER-BRACKET & FUSE PAN MTG	73	336448	INSULATOR-MAINLINE SWITCH
7	183900	SCREW-PANEL MTG	37	104615	HOLDER-FUSE	74	336449	CAP-RIGHT END BELL
8	265112	PANEL-SWITCH SUPPORT	38	120211	SCREW-LATCH STRIKE MTG	75	336453	CAP-LEFT END BELL
9	265123	SUPPORT-SPECIAL FEATURES PANEL	39	127499	LOCKWASHER	78	336496	BRACKET-COVER SUPPORT
10	266347	COVER-SPECIAL FEATURES PANEL	40	130434	SCREW-STRIKE MTG	79	336502	BRACKET
11	1090622	WASHER-PLATE MTG	41	138754	LABEL-VOLTAGE LEVEL	80	336503	BRACKET
B2	185129	PLATE ASM-SIDE (2 USED)	43	161351	WASHER-FRAME & POST MTG	82	336504	CAP-UPPER REAR COVER
C	207172	SWITCH ASM-SPECIAL FEATURES PANEL	44	166572	WASHER-MTG	83	336505	SUPPORT-CARD DECK
12	532586	BUTTON-SWITCH (10 USED)	47	206459	SCREW	84	336508	COVER-LOWER REAR
			48	206951	GUARD-MAINLINE SWITCH	85	336512	POST-REAR
			49	210428	SWITCH-MAINLINE	87	336513	COVER-PEDESTAL
			50	222377	SEAL-DUST	88	336514	FRAME-RIGHT
			52	225815	SPACER-FUSE PANEL	89	336516	COVER-RICHT END BELL
			53	237032	WASHER-MTG (3/4" OD)	90	336517	COVER-UPPER REAR
			54	257187	NUT-MAINLINE SWITCH MTG	92	336540	PANEL-FUSE (VINYL CLAD)
			55	257986	WASHER-MAINLINE SWITCH MTG	93	336541	BRACKET-FUSE PANEL
			57	33504	CHAIN-COTTER	95	336619	COVER-LEFT END BELL
			58	216929	CHAIN-PANEL SUPPORT	97	336620	COVER-LEFT CORNER
			59	265115	PLATE-FILLER (COUNTERS)	93	336628	FASTENER-SWITCH PANEL
				265116	PLATE-FILLER (COUNT ONLY)	99	336676	BRACKET-CARD WEIGHT
				265117	PLATE-FILLER (SORT SUPPRESS)	100	336677	STUD-CARD WEIGHT BRACKET
				265118	PLATE-FILLER (CARD MATCHING)	102	336678	TUBING-CARD WEIGHT BRACKET
				265119	PLATE-FILLER (GROUP SORT)	103	336722	STRIKE-LATCH
				265120	PLATE-FILLER (LENGTH OF FIELD)	104	336856	SCREW-MTG
				265121	PLATE-FILLER (MULT COL SEL)	105	336868	PANEL-FUSE (VINYL SPRAY)
				265122	PLATE-FILLER (ZERO ELIMINATE)	107	336940	PAD-PEDESTAL SHELF
			60	267533	BRACKET-CHAIN ANCHOR	108	369532	STRIKE-LATCH

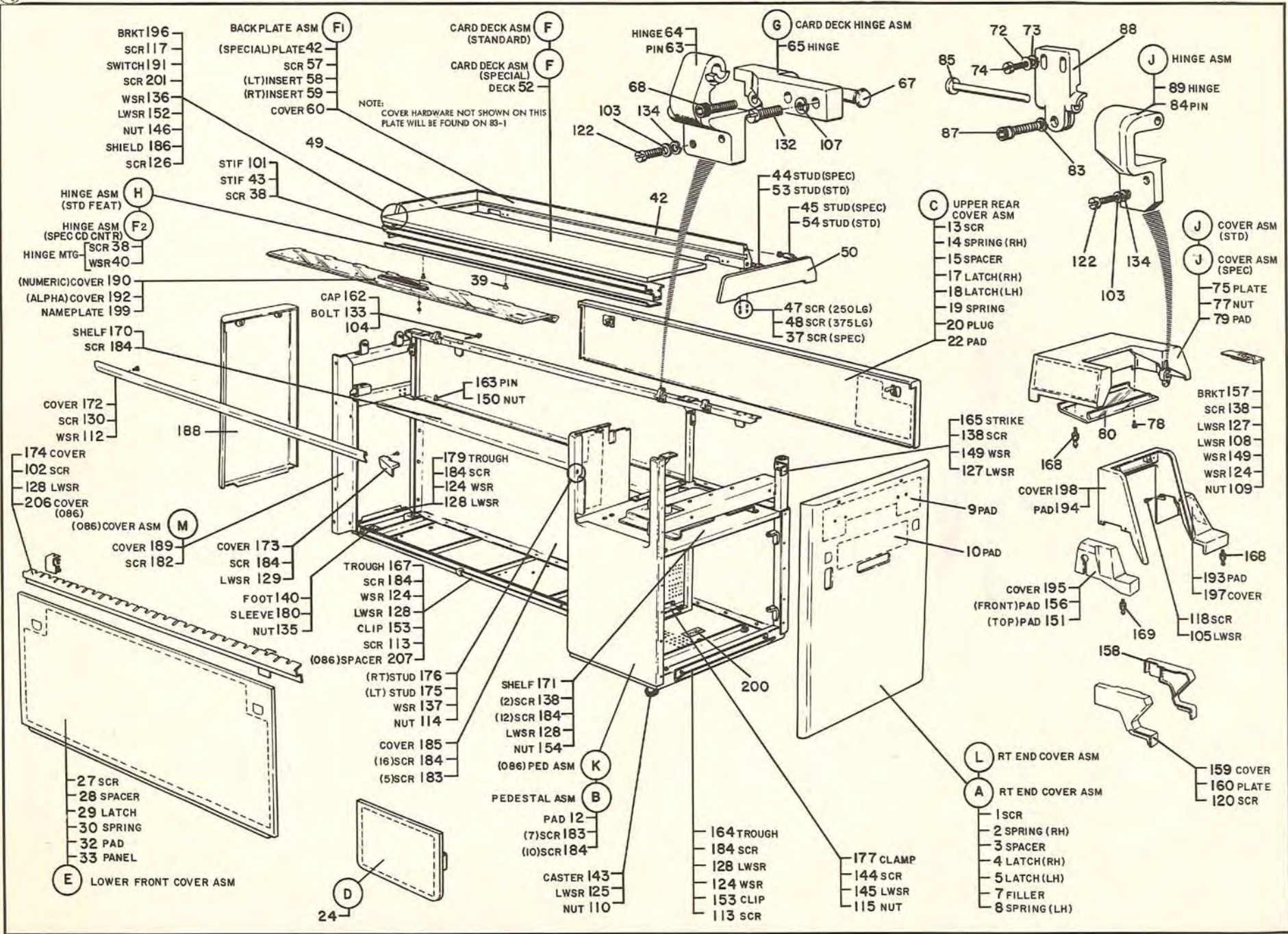
PARTS NOT INCLUDED WITH ASSEMBLIES

13	163	SCREW-MAINLINE SWITCH
14	2596	SCREW-FUSE PANEL
15	6384	LOCKWASHER-MTG
16	7192	LOCKWASHER-FRAME & POST MTG
17	7321	SCREW
18	7327	SCREW-BRACKET MTG
19	9092	LOCKWASHER-MTG
20	10303	SCREW
22	11598	NUT-MTG
23	24327	WASHER
24	25793	NUT-FRAME & POST MTG

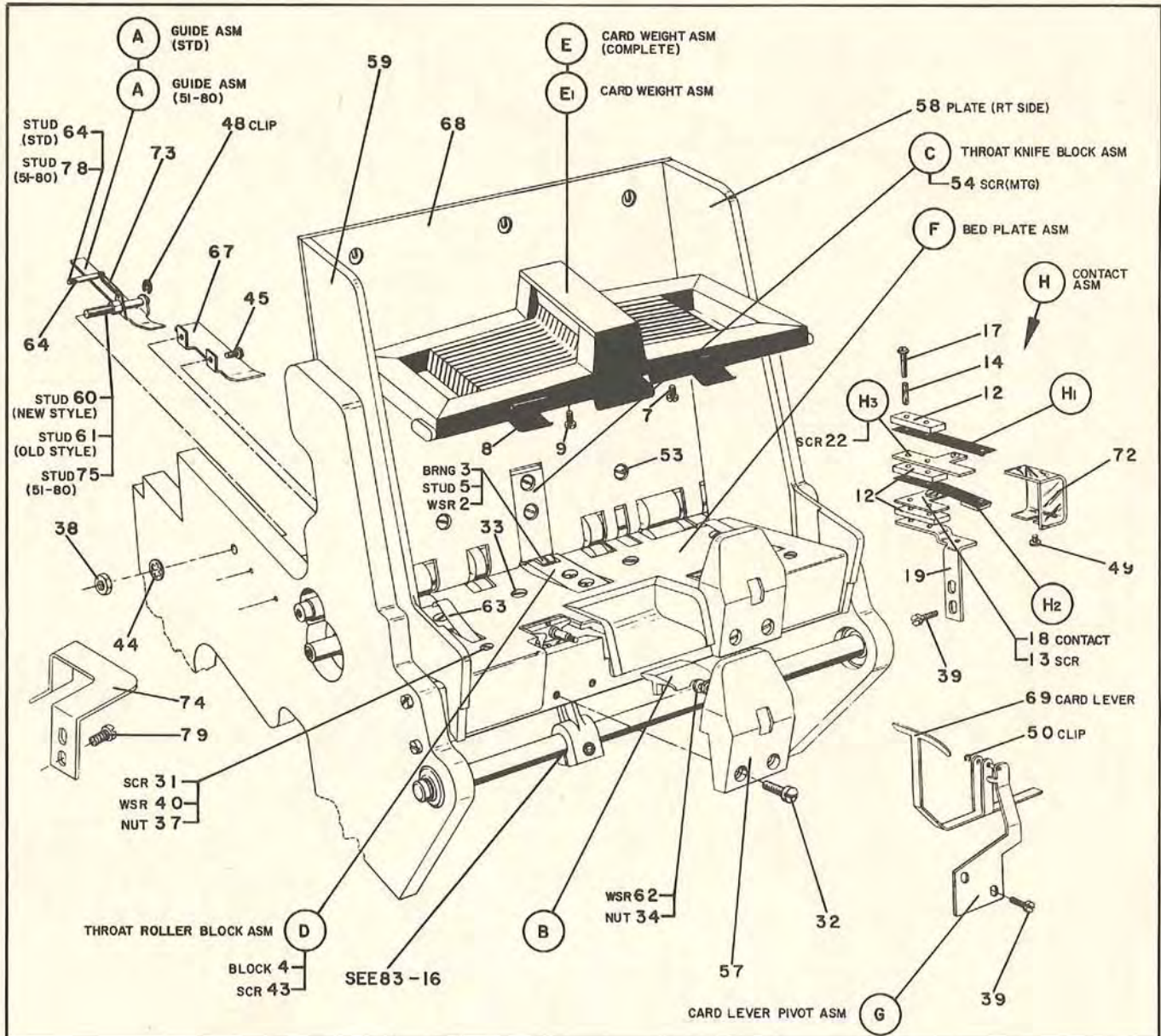
A	207161	COVER ASM-RIGHT END	64	336385	HINGE-CARD DECK (FRAME HALF)	134	65756	LOCKWASHER-MTG.
1	232	SCREW-LATCH MTG.	65	336386	HINGE-CARD DECK (DECK HALF)	135	76846	NUT-FOOT REST
2	211561	SPRING-LATCH (RH)	67	336387	PIN-HINGE	136	79233	WASHER-SWITCH MTG.
3	219608	SPACER-LATCH	68	336388	SCREW-	137	105047	WASHER-STUD MTG.
4	219715	LATCH-RIGHT HAND				138	120211	SCREW-PEDESTAL SHELF AND BRKT MTG.
5	219717	LATCH-LEFT HAND	H	336911	HINGE ASM-JAM ACCESS DOOR	140	167715	FOOT-REST
7	222377	FILLER-RUBBER CHANNEL				143	179623	CASTER
8	223736	SPRING-LATCH (LH)	J	311924	COVER ASM-SELECTOR UNIT (STANDARD)	144	180072	SCREW-PEDESTAL CLAMP
9	336938	PAD-FELT (UPPER)	J	311492	COVER ASM-SEL UNIT (USED W/CD CNTRS)	145	196819	LOCKWASHER-PEDESTAL CLAMP
10	336939	PAD-FELT (LOWER)				146	257186	NUT-SWITCH MTG.
						149	237032	WASHER-BRACKET & STRIKE MTG. (3/4" OD)
B	207162	PEDESTAL ASM				150	257793	NUT-COVER LOCATING STUD MTG.
12	336941	PAD-PEDESTAL ASM FELT				151	327231	PAD-RT FRONT COVER
						152	257984	LOCKWASHER-SWITCH MTG.
C	207163	COVER ASM-UPPER REAR				153	304877	CLIP-COVER LOCATING
13	232	SCREW-LATCH MTG.				154	213731	NUT-PEDESTAL SHELF MTG.
14	211561	SPRING-LATCH (RH)				156	327232	PAD
15	219608	SPACER-LATCH	J1	344923	HINGE ASM-SEL UNIT COVER ASM	157	327675	BRACKET-CATCH (RT REAR COVER)
17	219715	LATCH-RIGHT HAND				158	327699	COVER-RT REAR DRIVE (FILE FEED)
18	219717	LATCH-LEFT HAND				159	327700	COVER-RT FRONT DRIVE (FILE FEED)
19	233736	SPRING-LATCH (LH)				160	327731	PLATE-DRIVE COVER MTG. (FILE FEED)
20	336666	PLUG-CARD STOP BUTTON				162	330644	CAP-BOLT
22	336937	PAD-FELT				163	336406	PIN-LOCATING (UPPER REAR COVER)
						164	336426	TROUGH-RIGHT END
D	207164	COVER ASM-STANDARD FEATURES PANEL				165	336429	STRIKE-COVER LATCH (RT END)
24	336949	PAD-FELT	K	266144	PEDESTAL ASM- (86 MACHINB)	167	336433	TROUGH-FRONT COVER
						168	336444	STUD-RETAINING
E	207165	COVER ASM-LOWER FRONT				169	336446	STUD-RETAINING
27	232	SCREW-LATCH MTG.	L	266145	COVER ASM-RIGHT END (86 MACHINB)	171	336507	SHELF-PEDESTAL
28	219608	SPACER-LATCH				172	336452	COVER-FRONT RAIL (LONG)
29	219717	LATCH-LEFT HAND	M	266146	COVER ASM-LEFT CORNER (86 MACHINB)	173	336457	COVER-FRONT RAIL (SHORT)
30	223736	SPRING-LATCH (LH)				174	336460	COVER-POCKET
32	336942	PAD-FELT				175	336493	STUD-SWITCH PANEL LOCATING (LEFT)
33	336943	PANEL-FRONT COVER ASM				176	336494	STUD-SWITCH PANEL LOCATING (RIGHT)
						177	336501	CLAMP-PEDESTAL
F	265151	DECK ASM-CARD (SPECIAL W/CD CNTR UNIT)	101	753216	STIFFENER-CARD DECK (USED W/APERTURE DEVICE)	178	336509	SHELF-REAR
			102	455	SCREW-POCKET COVER MTG.	179	336621	TROUGH-LEFT END
F	336679	DECK ASM-CARD (STANDARD)	103	3550	WASHER-MTG.	180	336622	SLEEVE-FOOT REST
37	25627	SCREW-ACCESS WINDOW CLAMP	104	3960	NUT-MTG.	182	336657	SCREW-LEFT END COVER MTG. (10 USED)
38	28413	SCREW-HINGE ASM MTG.	105	6318	LOCKWASHER-COVER MTG (HOPPER)	183	336855	SCREW-LOWER REAR COVER MTG. (5 USED)
39	38495	SCREW-MTG.	107	6935	LOCKWASHER-CARD DECK MTG.	184	336856	SCREW-MTG.
40	45690	WASHER-ACCESS WINDOW MTG.	108	9092	LOCKWASHER-BRACKET MTG. (SPLIT TYPE)	185	336864	COVER-LOWER REAR
42	265149	PLATE-CARD DECK BACK	109	11598	NUT-BRACKET MTG.	186	364326	SHIELD-CARD DECK SWITCH
43	336459	STIFFENER-CARD DECK	110	22349	NUT-CASTER MTG.	188	336869	COVER-LEFT END
44	336481	STUD-CARD DECK LOWER (265151 DECK)	112	22478	WASHER-FRONT RAIL COVER MTG.	189	336870	COVER-LEFT FILLER
45	336482	STUD-CARD DECK UPPER (265151 DECK)	113	22797	SCREW-CLIP MTG.	190	336912	COVER-JAM ACCESS (NUMERIC)
47	336485	SCREW-SET (.250 LG)	114	23815	NUT-STUD MTG.	191	364397	SWITCH-ACCESS WINDOW
48	336487	SCREW-SET (.375 LG)	115	23793	NUT-PEDESTAL CLAMP	192	336913	COVER-JAM ACCESS (ALPHABETIC)
49	336604	PLATE-LEFT END	118	34512	SCREW-COVER MTG. (HOPPER)	193	336951	PAD-REAR HOPPER COVER
50	336605	PLATE-RIGHT END	119	38235	SCREW-BRACKET MTG.	194	336952	PAD-HOPPER COVER
52	336606	DECK-CARD	120	38443	SCREW-MTG.	195	336981	COVER-RIGHT FRONT
53	344844	STUD-CARD DECK LOWER (336679 DECK)	122	38688	SCREW-MTG.	196	364396	BRACKET-SWITCH MTG.
54	344845	STUD-CARD DECK UPPER (336679 DECK)	124	45690	WASHER-MTG. (7/16" OD)	197	336982	COVER-RIGHT REAR
F1	344837	PLATE ASM-BACK	125	55520	LOCKWASHER-CASTER MTG.	198	344858	COVER-CARD HOPPER
57	3528	SCREW-PLATE ASM	126	55726	SCREW-SHIELD MTG.	199	369026	NAMEPLATE-83 SORTER
58	344834	INSERT-PLATE ASM LEFT	127	56079	LOCKWASHER-BRACKET & STRIKE MTG. (EXT.)	200	369208	LABEL-DANGEROUS VOLTAGES
59	344835	INSERT-PLATE ASM RIGHT	128	56121	LOCKWASHER-MTG.	201	438554	SCREW-SWITCH MTG.
60	344836	COVER-CARD DECK BACK	129	56722	LOCKWASHER-MTG.	206	264671	COVER-POCKET
F2	336911	HINGE ASM-JAM ACCESS COVER	130	58207	SCREW-RAIL COVER MTG.	207	264675	SPACER-FRONT COVER MTG
G	336384	HINGE ASM-CARD DECK	132	59647	SCREW-CARD DECK MTG.			
63	151231	PIN-TAPER	133	59652	BOLT-CAP			

PARTS NOT INCLUDED WITH ASSEMBLIES





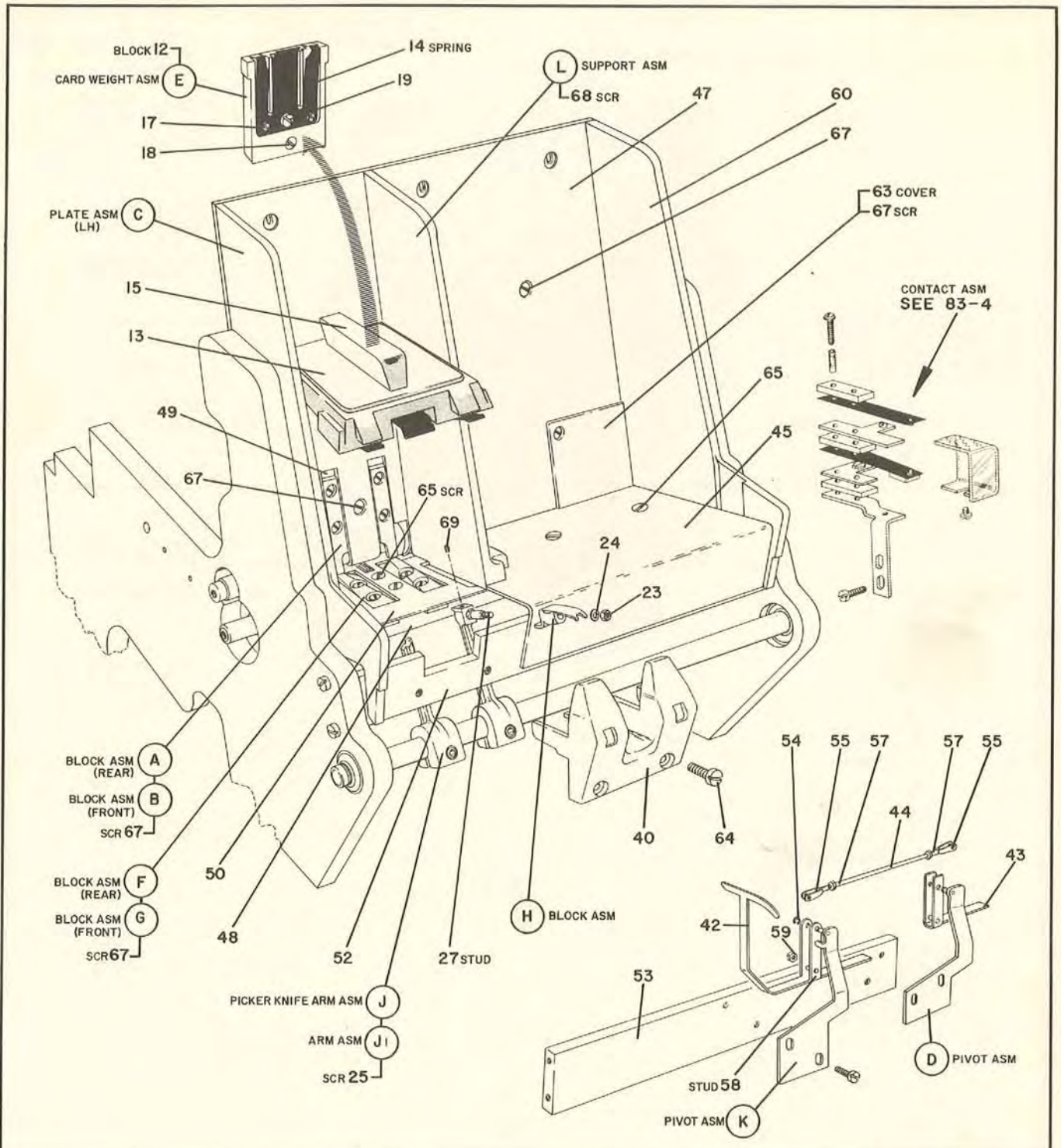
(Walt Spray) Cover View



A	200653	GUIDE ASM-UPPER CARD (51-80)
A	223997	GUIDE ASM-FLIPPER BRACKET
B	336150	BLOCK ASM-PICKER KNIFE
C	336151	BLOCK ASM-THROAT KNIFE
D	336232	BLOCK ASM-THROAT ROLLER
	2	22547 WASHER
	3	233355 BEARING-THROAT ROLLER
	4	336142 BLOCK-THROAT ROLLER
	5	336214 STUD-THROAT ROLLER BLOCK
E	336673	WEIGHT ASM-CARD
	7	55726 SCREW
	8	336249 SPRING-CARD WEIGHT
	9	336688 SCREW
EI	336673	WEIGHT ASM
F	336729	PLATE ASM-HOPPER BED
G	336757	PIVOT ASM-CARD LEVER
H	336761	CONTACT ASM-CARD LEVER
	12	11900 INSULATOR-CONTACT SPRING

	13	24740 SCREW-TERMINAL
	14	100229 SCREW-INSULATION
	17	173205 SCREW
	18	309047 CONTACT-TERMINAL
	19	336762 BRACKET
H1	150243	CONTACT ASM
H2	151774	CONTACT ASM
H3	21866	TERMINAL ASM-CONTACT
	22	118418 SCREW
PARTS NOT INCLUDED WITH ASSEMBLIES		
	31	163 SCREW
	32	232 SCREW-CARD POST MTG
	33	2179 SCREW-MTG
	34	6503 NUT-BLOCK ASM MTG
	37	7341 NUT
	38	23931 NUT-FLIPPER STUD MTG
	39	38235 SCREW-PIVOT & CONTACT ASMS MTG
	40	51410 WASHER
	43	55918 SCREW-THROAT ROLLER BLOCK ASM MTG
	44	60646 LOCKWASHER-FLIPPER STUD MTG
	45	130562 SCREW-GUIDE MTG

	48	147297 CLIP-RETAINING
	49	196298 SCREW-COVER MTG
	53	219633 CLIP
	53	225859 SCREW-HOPPER BACK PLATE
	54	225859 SCREW-THROAT KNIFE BLOCK ASM MTG
	57	336144 POST-CARD
	58	336165 PLATE-HOPPER RIGHT SIDE
	59	336166 PLATE-HOPPER LEFT SIDE
	60	336280 STUD-FLIPPER (NEW STYLE-SHORT)
	61	188787 STUD-FLIPPER (OLD STYLE USED W/NUT & WSR)
	62	336282 WASHER-BLOCK ASM MTG
	63	336305 SPRING-CARD SUPPORT
	64	336325 STUD-FRONT FRAME
	67	336326 GUIDE-FRONT CARD
	68	336730 PLATE-HOPPER BACK
	69	336760 LEVER-CARD
	72	336764 COVER-CARD LEVER CONTACT
	73	1091073 SPRING-FLIPPER BRACKET
	74	200603 STOP-CHUTE BLADE UPPER (51-80)
	75	200652 STUD-UPPER CARD GUIDE SUPPORT (51-80)
	78	200654 STUD-UPPER CARD GUIDE SPRING (51-80)
	79	337 SCREW-BRACKET MTG (51-80)

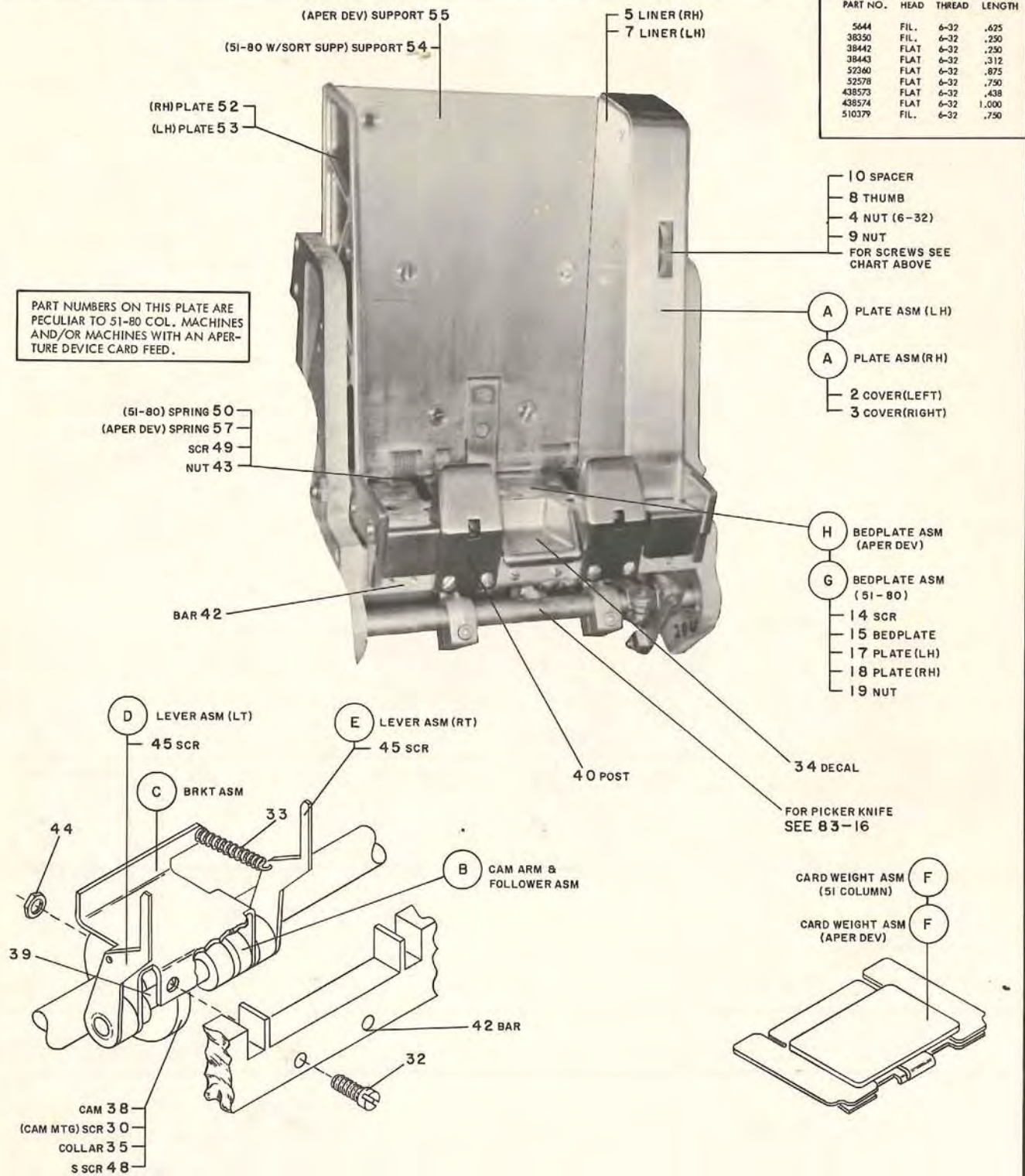


A	265934	BLOCK ASM-THROAT KNIFE REAR	H	264577	BLOCK ASM-PICKER KNIFE	44	266591	ROD-CONNECTING
B	265931	BLOCK ASM-THROAT KNIFE FRONT	J	266336	ARM ASM-PICKER KNIFE	45	264590	PLATE-HOPPER BED
C	265945	PLATE ASM-HOPPER SIDE (L. H.)	23	6503	NUT	47	265944	SUPPORT-FRONT CARD DECK
D	266592	PIVOT ASM	24	60646	WASHER	48	265937	BAR-THROAT BLOCK SUPPORT
E	266432	WEIGHT ASM-CARD	25	129654	SCREW	49	265936	BAR-THROAT KNIFE SUPPORT
12	264729	BLOCK-CARD WEIGHT	27	336903	STUD-KNIFE HOLDER	50	265935	PLATE-HOPPER BED FRONT
13	264728	COVER-CARD WEIGHT	J1	266337	ARM ASM-PICKER KNIFE	52	264583	BAR-CARD POST SUPPORT
14	264727	SPRING-CARD WEIGHT	K	336757	PIVOT ASM-CARD LEVER	53	266587	SUPPORT-CARD LEVER BRACKET
15	264726	HANDLE-CARD WEIGHT	L	753558	SUPPORT ASM-CARD DECK (R. H.)	54	219633	CLIP-LEVER RETAINING
17	80650	SCREW-CARD WEIGHT SPRING				55	309683	LINK-ADJUSTABLE
18	38457	SCREW-CARD WEIGHT SPRING				57	1091057	NUT-LINK LOCKING
19	5528	SCREW-CARD WEIGHT BLOCK				58	266590	STUD-CONNECTOR LINK
F	266123	BLOCK ASM-REAR THROAT				59	92795	NUT-CONNECTOR LINK STUD
G	266121	BLOCK ASM-FRONT THROAT				60	336165	PLATE-HOPPER RIGHT SIDE
						63	264714	COVER-AUX ROLL OPENING
						64	232	SCREW-CARD LEVER MTG
						65	2179	SCREW-BEDPLATE
						67	225859	SCREW-COVER & SUPPORT MTG
						68	129	SCREW-R. H. DECK SUPPORT
						69	53208	SCREW-SET
			PARTS NOT INCLUDED WITH ASSEMBLIES					
			40	264585	POST-CARD			
			42	266589	LEVER-CARD			
			43	266588	LEVER-CONTACT OPERATING			



PART NO.	HEAD	THREAD	LENGTH
5644	FIL.	6-32	.625
38350	FIL.	6-32	.250
38442	FLAT	6-32	.250
38443	FLAT	6-32	.312
52360	FLAT	6-32	.875
52578	FLAT	6-32	.750
438573	FLAT	6-32	.438
438574	FLAT	6-32	1.000
510379	FIL.	6-32	.750

PART NUMBERS ON THIS PLATE ARE PECULIAR TO 51-80 COL. MACHINES AND/OR MACHINES WITH AN APERTURE DEVICE CARD FEED.

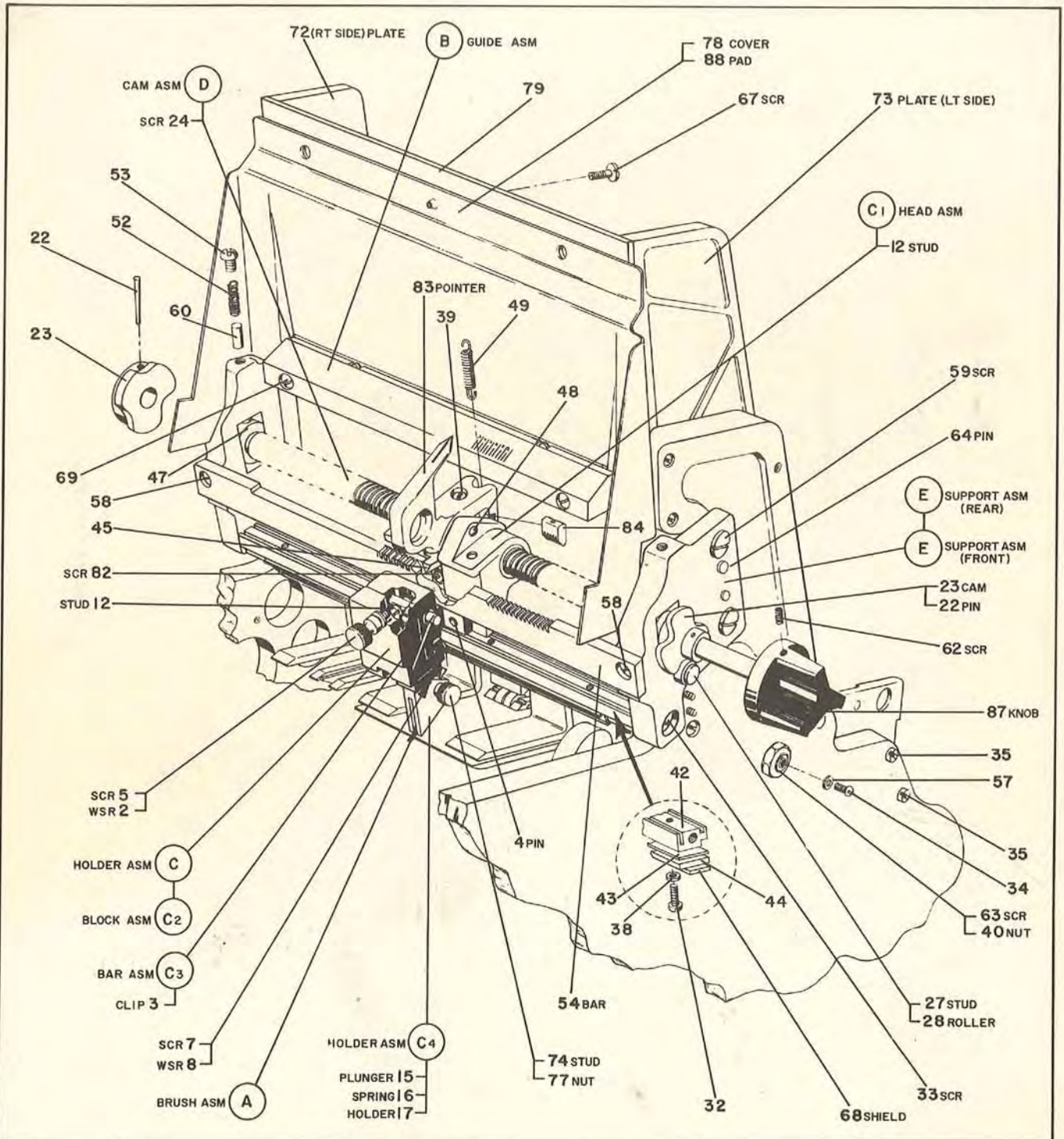


A	198499	PLATE ASM-HOPPER (L.H.)
A	198658	PLATE ASM-HOPPER (R.H.) (FOR REMAINDER OF BREAKDOWN SEE SCREW CHART ON ILLUSTRATION)
2	198447	COVER-PLATE ASM (LEFT)
3	198448	COVER-PLATE ASM (RIGHT)
4	257187	NUT-THUMB SCREW & STANDOFF (6-32)
5	603311	LINER-HOPPER (R.H.)
7	603312	LINER-HOPPER (L.H.)
8	603329	SCREW-THUMB
9	603440	NUT-THUMB SCREW STOP (318-24)
10	603486	SPACER-THUMB SCREW
B	198872	FOLLOWER ASM-CAM ARM &
C	203474	BRACKET ASM-POSITIONING LEVER
D	203476	LEVER ASM-POSITIONING (LEFT)

E	203477	LEVER ASM-POSITIONING (RIGHT)
F	603453	WEIGHT ASM-CARD (51 COLUMN)
F	267652	WEIGHT ASM-CARD (APERATURE DEVICE)
G	754309	BEDPLATE ASM-(51-80)
14	38442	SCREW-PLATE MTG
15	203482	BEDPLATE-HOPPER
17	754310	PLATE-FINGER (L.H.)
18	754311	PLATE-FINGER (R.H.)
19	1070043	NUT-FINGER PLATE MTG
H	267657	BEDPLATE ASM-HOPPER (APER DEV)
PARTS NOT INCLUDED WITH ASSEMBLIES		
30	38353	SCREW-CAM MTG

32	38354	SCREW-BRACKET MTG
33	131551	SPRING-LEVER ASM
34	196833	DECAL-BEDPLATE
35	198867	COLLAR-CAM MTG
38	198868	CAM-CARD ALIGNER
39	198870	SHAFT-LEVER PIVOT
40	203439	POST-CARD
42	203478	BAR-CARD POST SUPPORT
43	257186	NUT-BEDPLATE SPRING MTG
44	257187	NUT-LEVER BRACKET MTG
45	257971	SCREW-LEVER ASM & FOLLOWER ARM MTG
48	257973	SCREW-CAM COLLAR MTG SET
49	438548	SCREW-BEDPLATE SPRING MTG
50	603305	SPRING-BEDPLATE
52	603313	PLATE-HOPPER SIDE (R.H.)
53	603314	PLATE-HOPPER SIDE (L.H.)
54	754308	PLATE-HOPPER BACK
55	267653	SUPPORT-FRONT CARD DECK (APER DEV)
57	267660	SPRING-APERATURE DEVICE



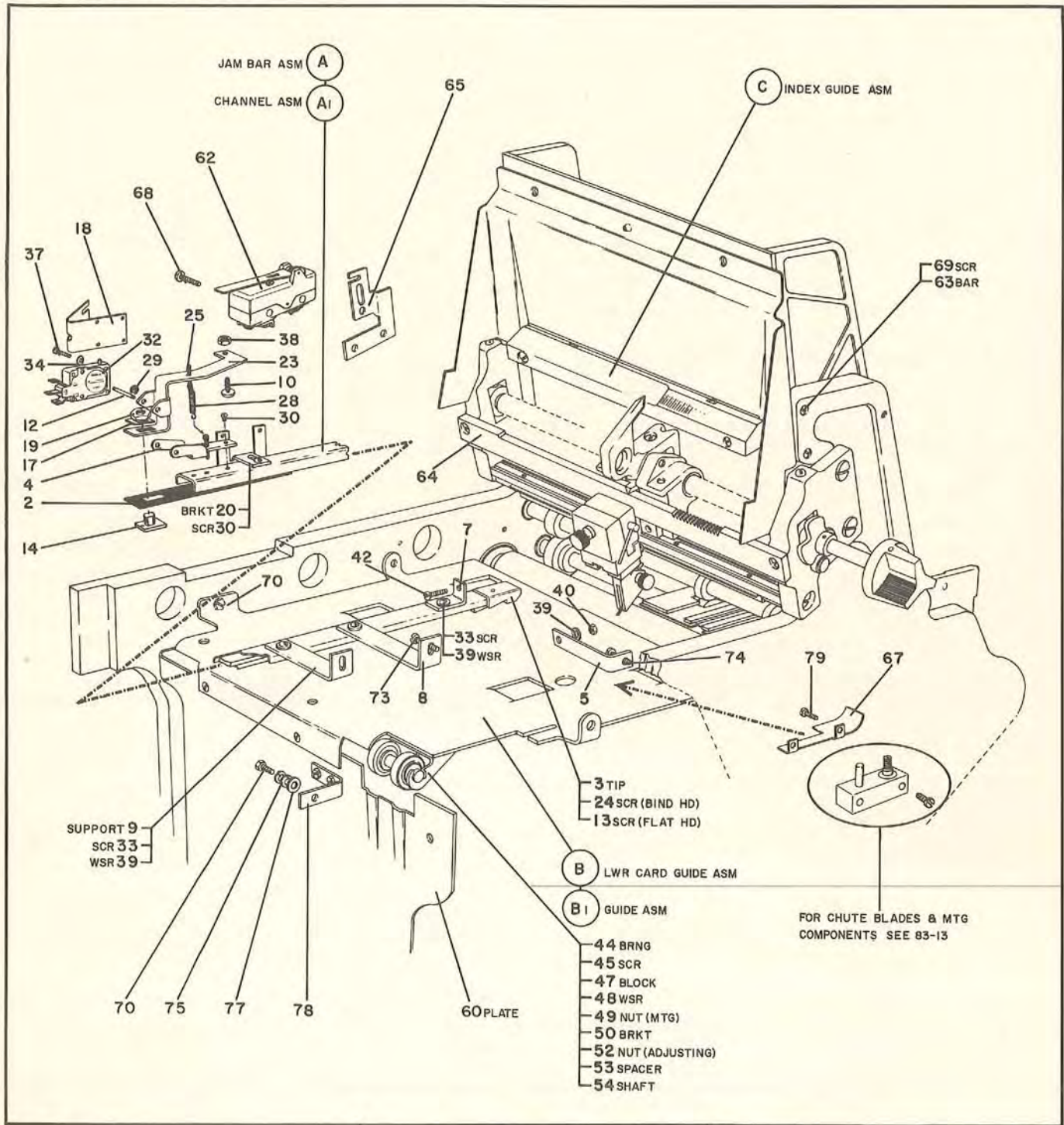


A	202	BRUSH ASM
B	336159	GUIDE ASM-INDEX
C	336228	HOLDER ASM-CARD BRUSH
2	22478	WASHER-THUMB SCREW
3	25282	CLIP-SPRING
4	134998	PIN-BRUSH HOLDER DOWEL
5	336229	SCREW-THUMB
7	336594	SCREW
8	1090199	WASHER
C1	11606	HEAD ASM
12	336775	STUD-BRUSH HOLDER LOCKING
C2	336223	BLOCK ASM-BRUSH HOLDER
C3	336226	BAR ASM-HOLDER LOCATING
C4	336227	HOLDER ASM-CARD BRUSH
15	10441	PLUNGER
16	10468	SPRING-CONTACT
17	336222	HOLDER-CARD BRUSH
D	336231	CAM ASM-SCREW & INDEX
22	10308	PIN-CAM BRUSH LIFTING
23	336212	CAM-CARD BRUSH LIFTING
24	336213	SCREW-INDEX 80 COLUMN

E	336247	SUPPORT ASM-TRAVERSE (REAR)
E	336338	SUPPORT ASM-TRAVERSE (FRONT)
27	11583	STUD
28	11588	ROLLER
PARTS NOT INCLUDED WITH ASSEMBLIES		
32	186	SCREW
33	232	SCREW
34	420	SCREW
35	641	SCREW
38	1866	WASHER
39	4236	SCREW-BRUSH CONTROL
40	8163	NUT-ADJUSTING SCREW
42	10442	BAR-BRUSH CONTROL
43	10444	SHIM-BRUSH CONTROL
44	10445	STRIP-BRUSH CONTROL
45	11582	LOCATER-INDEX BAR
47	11585	BEARING-BRUSH CONTROL
48	11587	PIN
49	11603	SPRING-INDEX BAR
52	11604	SPRING

53	11605	SCREW
54	12458	BAR-INDEX
57	22066	WASHER
58	23858	SCREW
59	25627	SCREW
60	35762	PIN
62	81404	SCREW-KNOB RETAINING SET
63	138296	SCREW-HOPPER PLATE ADJUSTING
64	196818	PIN-TRAVERSE SUPPORT MITG TAPER
67	225859	SCREW-INDEX COVER MITG
68	300874	SHIELD-BRUSH CONTROL
69	322551	SCREW-INDICATOR BAR MITG
72	336165	PLATE-HOPPER RIGHT SIDE
73	336166	PLATE-HOPPER LEFT SIDE
74	336308	STUD-CARD BRUSH CLAMP
77	336309	NUT-CARD BRUSH CLAMP
78	336434	COVER-INDEX COLUMN
79	336730	PLATE-HOPPER BACK
82	336743	SCREW
83	336784	POINTNER-INDEX COLUMN
84	336785	NUT-INDEX HEAD
87	336824	KNOB-INDEX COLUMN
88	336948	PAD



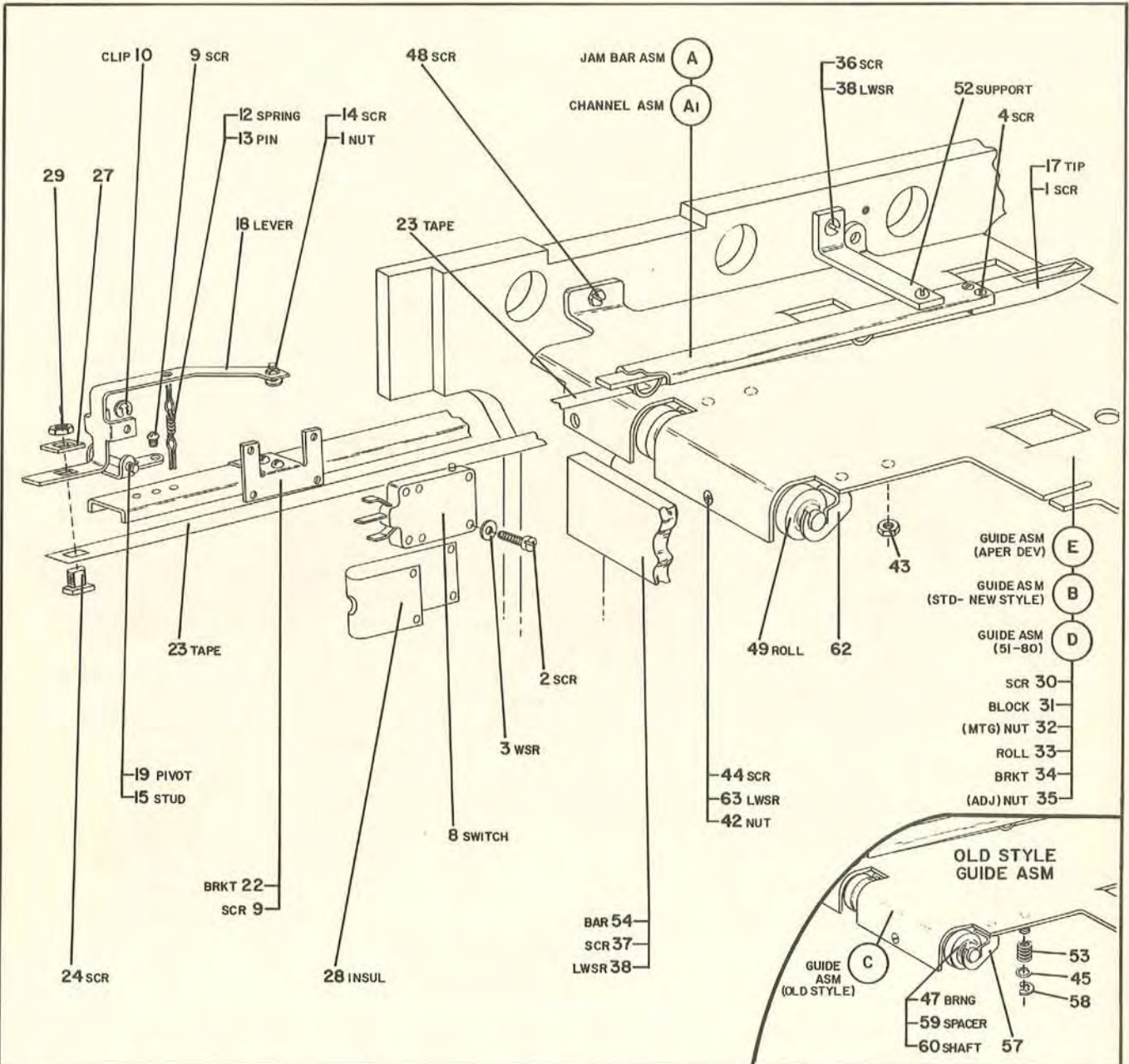


A	264707	BAR ASM-JAM
2	264703	TAPE-JAM BAR
3	264704	TIP-JAM BAR TAPE
4	264708	BRACKET-JAM BAR PIVOT
5	264716	SUPPORT-JAM BAR
7	264717	BRACKET-JAM BAR
8	264718	SUPPORT-JAM BAR
9	264719	SUPPORT-JAM BAR
10	336131	SCREW-JAM BAR LEVER ADJUSTING
12	336132	STUD-JAM BAR LEVER
13	336585	SCREW-2-56 FLAT HD 312 LG
14	336590	SCREW-JAM BAR ADJUSTING
17	336591	CLAMP-JAM BAR ADJUSTING
18	336592	INSULATOR-JAM BAR SWITCH TERMINAL
19	1090669	NUT-JAM BAR ADJ
20	264701	BRACKET-JAM BAR SWITCH
23	264700	LEVER-JAM BAR
24	186399	SCREW-2-56 BIND HD 188 LG
25	195093	PIN-COTTER
28	150047	SPRING-CONTACT LATCH
29	147297	CLIP-SPRING
30	103893	SCREW

	32	65266	SWITCH-TRANSFER
	33	55459	SCREW
	34	45624	WASHER-SWITCH MTG
	37	38250	SCREW-SWITCH MTG
	38	38051	NUT
	39	22478	WASHER-JAM BAR SUPPORT
	40	6503	NUT-JAM BAR SUPPORT
	42	337	SCREW-JAM BAR SUPPORT
A 1	264706	CHANNEL ASM-JAM BAR	
B	754185	CARD GUIDE ASM-LOWER	
	44	155749	BEARING-LOWER PRESSURE ROLL
	45	203484	SCREW-LOWER PRESSURE ROLL ADJUSTING
	47	203485	BLOCK-LWR PRESSURE RL BRKT RET
	48	257986	WASHER-LWR PRESSURE ROLL MTG
	49	311699	NUT-LOWER PRESSURE ROLL MTG
	50	336651	BRACKET-LOWER PRESSURE ROLL
	52	344015	NUT-LOWER PRESSURE ROLL ADJUSTING
	53	602490	SPACER-LOWER PRESSURE ROLL
B 1	753561	SHAFT-LOWER PRESSURE ROLL MTG	
	754187	GUIDE ASM-CARD	

C	264587	GUIDE ASM-INDEX
PARTS NOT INCLUDED WITH ASSEMBLIES		
60	244632	PLATE-CARD POCKET FORWARD SIDE
62	238364	SWITCH-BRUSH
63	264582	BAR-UPPER PLATE SUPPORT
64	264721	BAR-INDEX (1/2 CARD)
65	265856	BRACKET-SWITCH MTG
66	264609	GUIDE-FRONT CARD
67	264609	GUIDE-FRONT CARD
68	38577	SCREW-SWITCH MTG
69	641	SCREW-MTG
70	25627	SCREW-CARD GUIDE & BRKT MTG
73	186759	SCREW-JAM BAR SUPPORT
74	186758	SCREW-JAM BAR SUPPORT
75	6318	LOCKWASHER-MTG
77	22478	WASHER-MTG
78	264634	BRACKET-BAR MTG
79	130562	SCREW-CARD GUIDE BRACKET FRONT





A	336 127	JAM BAR ASM-STANDARD
1	38051	NUT-JAM BAR ADJUSTING SCREW
2	38250	SCREW-SWITCH MTG.
3	45624	WASHER-SWITCH MTG.
4	52570	SCREW-TIP MTG.
7	53042	SCREW-TAPE MTG.
8	65266	SWITCH-TRANSFER
9	103893	SCREW-MTG.
10	147297	CLIP-SPRING
12	150047	SPRING-CONTACT LATCH
13	185093	PIN-SPRING RETAINING COTTER
14	336 131	SCREW-JAM BAR ADJUSTING
15	336 132	STUD-JAM BAR
17	336 133	TIP-JAM BAR
18	336 134	LEVER-JAM BAR
19	336 136	PIVOT-JAM BAR
22	336 137	BRACKET-SWITCH MTG.
23	336 139	TAPE-JAM BAR
24	336 590	SCREW-JAM BAR ADJUSTING
27	336 591	CLAMP-JAM BAR

28	336 592	INSULATOR-TRANSFER SWITCH
29	1090669	NUT-JAM BAR ADJUSTING SCREW
A1	336 128	CHANNEL ASM-JAM BAR
B	336 752	GUIDE ASM-LOWER CARD (NEW STYLE)
C	336 233	GUIDE ASM-LOWER CARD (OLD STYLE)
D	754307	GUIDE ASM-LOWER CARD (51-80)
30	203484	SCREW-BRACKET ADJUSTING
31	203485	BLOCK-BRACKET
32	311699	NUT-BRACKET ANCHORING
33	328770	ROLL-4TH LOWER FEED
34	336651	BRACKET-4TH LOWER FEED ROLL
35	344015	NUT-ADJUSTING SCREW
E	267652	GUIDE ASM-LOWER CARD (APERTURE DEVICE)

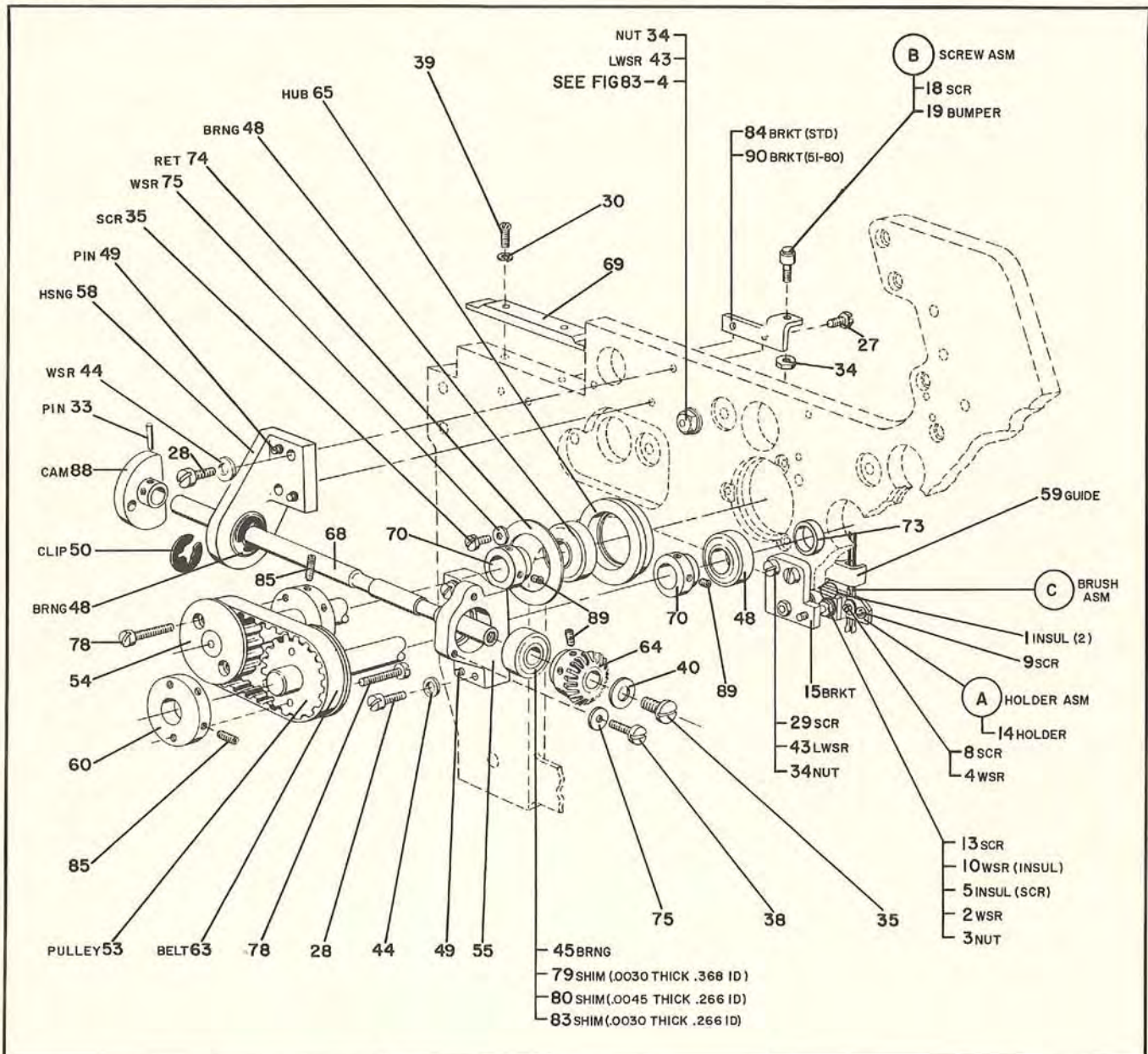
PARTS NOT INCLUDED WITH ASSEMBLIES

36	455	SCREW-BRACKET MTG.
37	641	SCREW-SUPPORT BAR MTG.

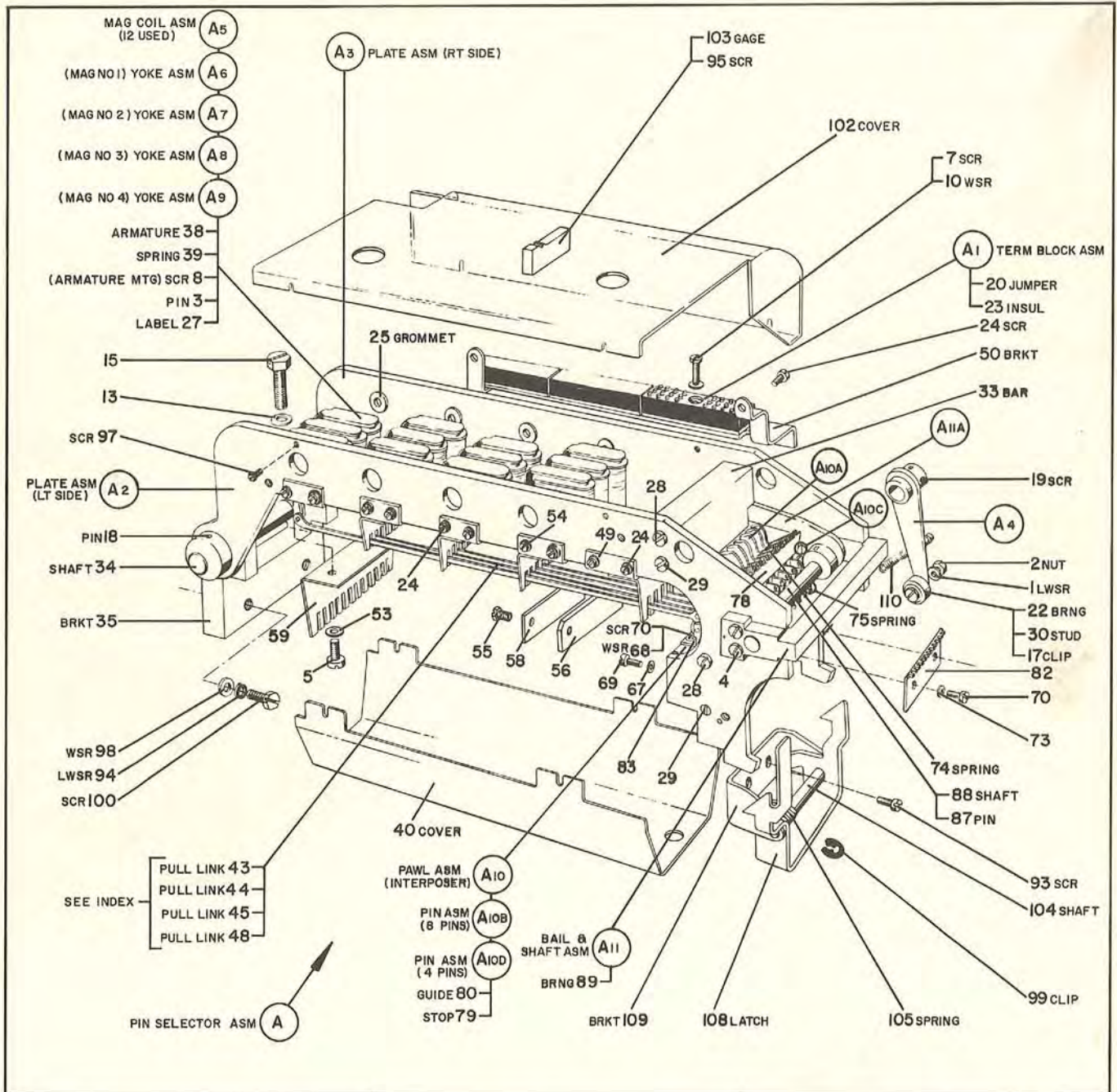
38	6318	LOCKWASHER-MTG.
42	37913	NUT-POCKET PLATE MTG.
43	311699	NUT-BRACKET MTG.
44	38433	SCREW-POCKET PLATE MTG.
45	45652	WASHER-MTG.
47	155749	BEARING
48	311642	SCREW-LOWER CARD GUIDE MTG.
49	328770	ROLL-4TH LOWER FEED
52	336 135	SUPPORT-JAM BAR
53	336 278	SPRING-FEED ROLL BRACKET
54	336 281	BAR-FEED FRAME SUPPORT
57	336 292	BRACKET-FEED ROLL MTG. (OLD STYLE)
58	336 329	CLIP-RETAINING
59	336 330	SPACER
60	336 614	SHAFT
62	336 651	BRACKET-4TH LOWER FEED ROLL MTG.
63	338 169	LOCKWASHER-POCKET PLATE MTG.



Selector & Contact Roll Drive

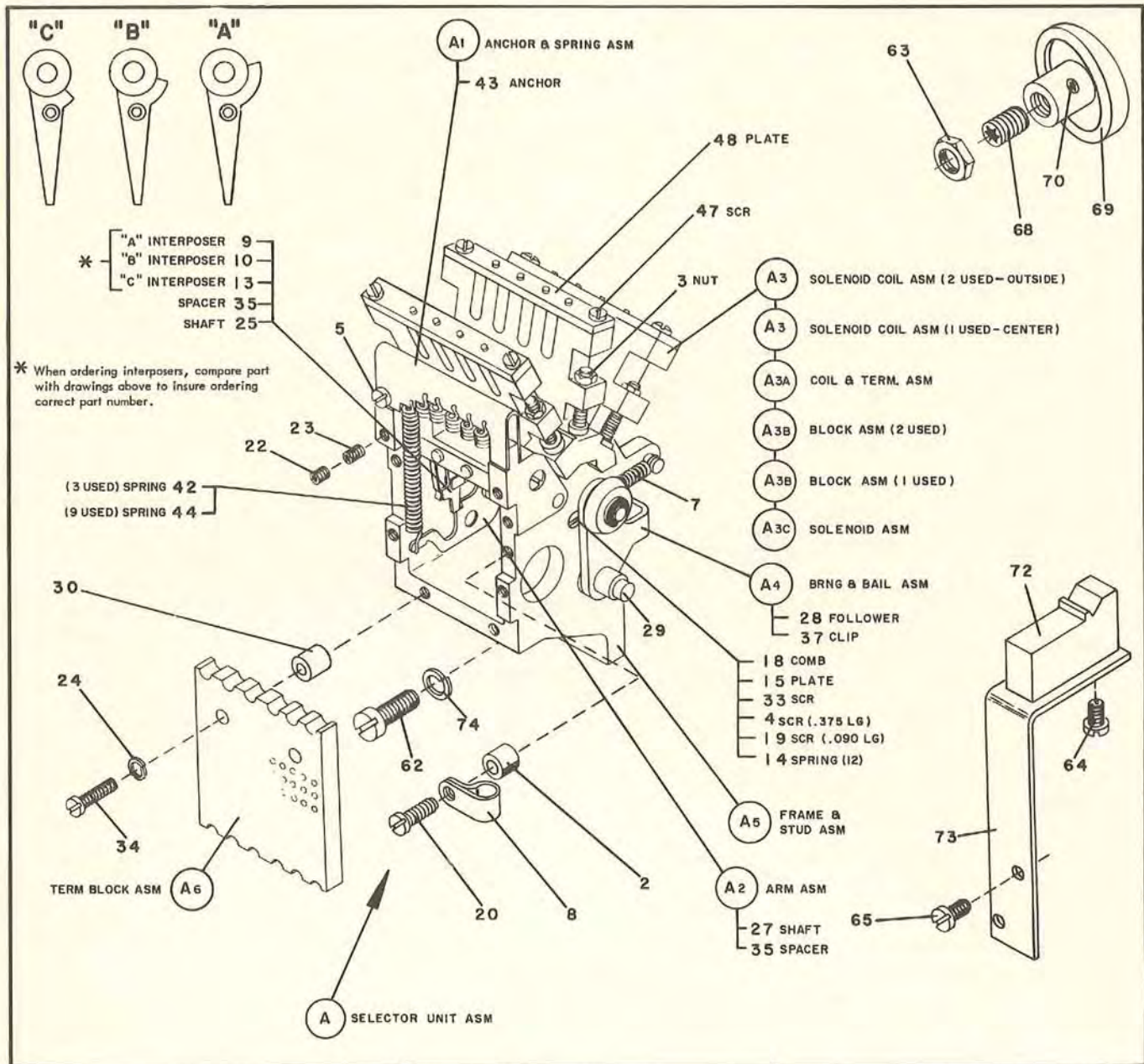


A	336246	HOLDER ASM-COMMON BRUSH	28	2031	SCREW-MTG (8-32 FIL HD .625 LG)	60	336254	COLLAR-PULLEY RETAINING	
	1	11900	INSULATOR-FLAT (2 USED)	29	2384	SCREW-BRUSH HOLDER MTG (8-32 1" LG)	63	336257	BELT-CONTACT PULLEY
	2	22066	WASHER-MTG	30	6364	LOCKWASHER-SELECTOR UNIT BLOCK	64	336261	GEAR-SELECTOR UNIT CAM
	3	23815	NUT-MTG	33	19167	PIN-TAPER	65	336270	HUB-2ND LOWER FEED ROLL
	4	45625	WASHER-HOLDER MTG SCR	34	23931	NUT-MTG	68	336291	SHAFT-SELECTOR CAM
	5	100464	INSULATOR-SCREW	35	38235	SCREW-(6-35 BIND HD .312 LG)	69	336298	BLOCK-SELECTOR UNIT LOCATING
	8	103893	SCREW-MTG (2-56 RND HD .188 LG)	38	38352	SCREW-BEARING RETAINING (6-32 .375 LG)	70	336310	COLLAR-PULLEY RETAINING
	9	118418	SCREW-MTG (5-40 RND HD .156 LG)	39	38574	SCREW-SELECTOR UNIT GUIDE BLOCK	73	336313	SPACER
	10	138281	WASHER-INSULATION	40	45652	WASHER-MTG	74	336315	RETAINER-2ND LOWER FEED ROLL
	13	173212	SCREW-(5-40 WSR HD .1094 LG)	43	60646	LOCKWASHER-MTG	75	336322	WASHER-MTG
	14	179269	HOLDER-BRUSH	44	130374	LOCKWASHER-MTG	78	336324	SCREW-PULLEY MTG
	15	336235	BRACKET-HOLDER ASM	45	155749	BEARING-BALL (PLAIN)	79	336333	SHIM-(.0030 THICK .368 ID)
B	116314	SCREW ASM-RUBBER SUPPORT	48	156364	BEARING-BALL (PLAIN)	80	336334	SHIM-(.0045 THICK .266 ID)	
	18	114307	SCREW-BUMPER	49	196818	PIN-TAPER	83	336335	SHIM (.0030 THICK .266 ID)
	19	115413	BUMPER-RUBBER	50	237245	CLIP-RETAINING	84	336343	BRACKET-BUMPER SUPPORT
C	28772	BRUSH ASM-CARD	53	336143	PULLEY-18 TEETH	85	336359	SCREW-MTG	
		PARTS NOT INCLUDED WITH ASSEMBLIES	54	336145	PULLEY	88	336782	CAM-SELECTOR UNIT	
			55	336147	HOUSING-BEVEL GEAR BEARING	89	1073462	SCREW-COLLAR RETAINING SET	
			58	336149	HOUSING-BEARING BRACKET	90	198895	BRACKET-BUMPER SUPPORT	
			59	336156	GUIDE-COMMON BRUSH				
			27	1413	SCREW-BRACKET MTG				

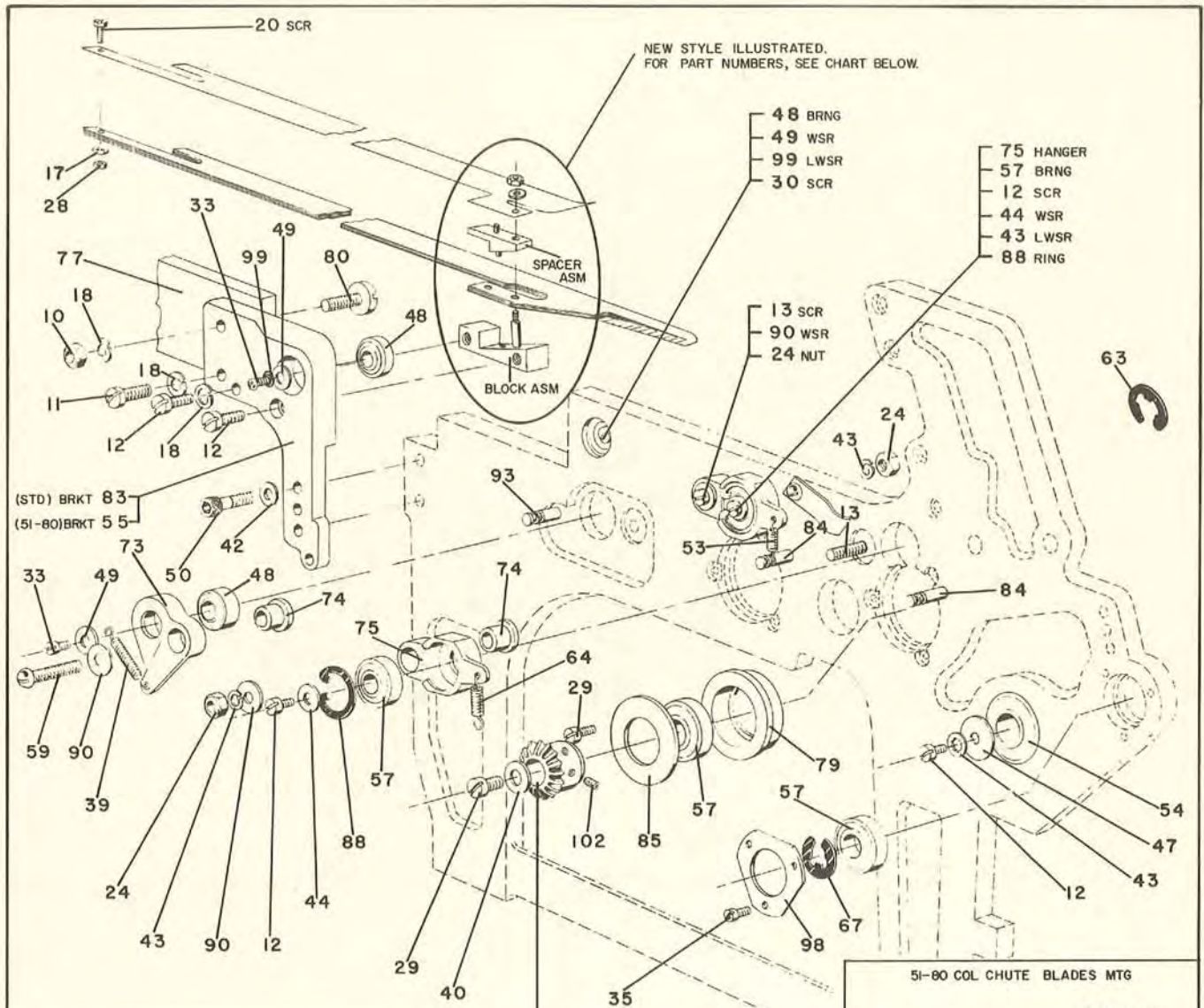


<p>A</p> <p>1 336002 SELECTOR ASM-PIN</p> <p>2 6318 LOCKWASHER-LIGHT SPRING</p> <p>3 6503 NUT-MTG</p> <p>4 6725 PIN-PLATEN SHAFT (LH)</p> <p>5 38235 SCREW-SELECTOR BAIL BEARING</p> <p>6 38261 SCREW-ARM GUIDE MTG</p> <p>7 38266 SCREW-TERM BLOCK MTG</p> <p>8 38562 SCREW-ARMATURE MTG</p> <p>10 45621 WASHER-MTG</p> <p>13 45690 WASHER-PIVOT BRACKET MTG</p> <p>15 110433 SCREW-PIVOT BRACKET MTG</p> <p>17 123206 CLIP-PAWL PIN RETAINING</p> <p>18 139472 PIN-TAPER</p> <p>19 173937 SCREW-CAM FOLLOWER ARM ASM RETAINING</p> <p>20 205331 JUMPER-BRASS</p> <p>22 233355 BEARING</p> <p>23 302131 INSULATOR-TERMINAL BLOCK</p> <p>24 311639 SCREW-GUIDE AND BRACKET MTG</p> <p>25 317227 GROMMET</p> <p>27 325435 LABEL-RELAY</p> <p>28 336003 SCREW-PAWL ASM AND BAR MTG</p> <p>29 336004 SCREW-PAWL ASM AND BAR MTG</p> <p>30 336008 STUD-FOLLOWER ARM ECCENTRIC</p> <p>33 336011 BAR-KNOCK OFF</p> <p>34 336020 SHAFT-PIVOT</p> <p>35 336021 BRACKET-SELECTOR UNIT PIVOT</p> <p>38 336031 ARMATURE</p> <p>39 336032 SPRING-PIVOT ARMATURE</p> <p>40 336035 COVER-SELECTOR UNIT BOTTOM</p> <p>43 336380 PULL LINK-(3.250 LG-CEN TO CEN)</p> <p>44 336381 PULL LINK-(4.687 LG-CEN TO CEN)</p>	<p>45 336382 PULL LINK-(6.125 LG-CEN TO CEN)</p> <p>48 336383 PULL LINK-(7.562 LG-CEN TO CEN)</p> <p>49 336415 GUIDE-BRACKET PULL WIRE</p> <p>50 336701 BRACKET-TERMINAL BLOCK</p> <p>53 338169 WASHER-ARM GUIDE MTG</p> <p>54 338238 SCREW-BOTTOM COVER MTG</p> <p>55 345898 SCREW-BUMPER MTG</p> <p>56 345899 PLATE-BUMPER MTG</p> <p>58 345900 BUMPER-PULL ROD</p> <p>59 345901 GUIDE-ARMATURE PULL LINK</p> <p>A1 302090 BLOCK ASM-TERMINAL</p> <p>A2 336006 PLATE ASM-LEFT SIDE</p> <p>A3 336007 PLATE ASM-RIGHT SIDE</p> <p>A4 336010 ARM ASM-CAM FOLLOWER</p> <p>A5 336026 COIL ASM-MAGNET</p> <p>A6 336027 YOKE ASM-MAGNET NO 1</p> <p>A7 336029 YOKE ASM-MAGNET NO 2</p> <p>A8 336030 YOKE ASM-MAGNET NO 3</p> <p>A9 336033 YOKE ASM-MAGNET NO 4</p> <p>A10 336745 PAWL ASM-INTERPOSER</p> <p>67 6364 WASHER</p> <p>68 11464 WASHER-PAWL GUIDE BRKT</p> <p>69 38359 SCREW</p> <p>70 38565 SCREW-MTG</p> <p>73 57576 LOCKWASHER-STOP PAWL SPRING ANCHOR</p> <p>74 133127 SPRING-INTERPOSER</p> <p>75 134542 SPRING-STOP PAWL</p> <p>78 336014 ANCHOR-SPRING (INTERPOSER PAWL)</p> <p>79 336024 STOP-SELECTOR UNIT</p> <p>80 336025 GUIDE-SELECTOR PIN</p> <p>82 336681 ANCHOR-SPRING (LOCK BAR)</p>	<p>83 336789 BRACKET-INTERPOSER PAWL GUIDE</p> <p>A10A 336012 PAWL ASM-INTERPOSER</p> <p>A10B 336018 PIN ASM-SELECTOR</p> <p>A10C 336251 BAR ASM-INTERPOSER PAWL LINK</p> <p>A10D 336685 PIN ASM-SELECTOR</p> <p>A11 336786 SHAFT ASM-PIN BAIL</p> <p>87 4327 PIN-TAPER</p> <p>88 336051 SHAFT-PIN BAIL</p> <p>89 336787 BEARING-BAIL SHAFT</p> <p>A11A 336050 BAIL ASM-PIN</p> <p>PARTS NOT INCLUDED WITH ASSEMBLIES</p> <p>93 337 SCREW-LATCH MTG</p> <p>94 9092 LOCKWASHER-MTG</p> <p>95 10170 SCREW-GAGE MTG</p> <p>97 38911 SCREW-TOP COVER MTG</p> <p>98 45690 WASHER-MTG</p> <p>99 60488 CLIP-LATCH SHAFT SPRING</p> <p>100 204616 SCREW-SELECTOR UNIT MTG</p> <p>102 336064 COVER-SELECTOR UNIT TOP</p> <p>103 336283 GAGE-BRUSH SET</p> <p>104 336294 SHAFT-SELECTOR UNIT LATCH</p> <p>105 336296 SPRING-LATCH</p> <p>108 336341 LATCH-SELECTOR UNIT</p> <p>109 336342 BRACKET-SELECTOR UNIT LATCH</p> <p>110 336783 SPRING-CAM FOLLOWER</p>
---	---	---

Selector Unit (51-80)



A	754303	SELECTOR UNIT ASM-B3 51-80 COLUMN	27	363239	SHAFT-LEVER ARM	A3B	363213	BLOCK ASM-(1 USED)
2	6615	SPACER	28	363247	FOLLOWER-CAM	A3C	363219	SOLENOID ASM
3	38051	NUT-SOLENOID ASM	29	363249	STUD-BAIL MTG	A4	216043	BAIL ASM-BEARING &
4	38250	SCREW-GUIDE COMB MTG	30	363574	SPACER-TERMINAL BLOCK MTG	A5	363237	FRAME & STUD ASM
5	38262	SCREW-ANCHOR ASM MTG	33	438538	SCREW-MTG	A6	363240	BLOCK ASM-TERMINAL
7	151135	SPRING-CAM FOLLOWER ARM	34	438546	SCREW-TERMINAL BLOCK MTG	PARTS NOT INCLUDED WITH ASSEMBLIES		
8	188555	CLAMP-CABLE	35	470132	SPACER	62	641	SCREW-SELECTOR ASM MTG
9	216055	INTERPOSER-"A"	37	1092125	CLIP-CAM FOLLOWER MTG	63	4564	NUT-SELECTOR CAM ADJUSTING
10	216056	INTERPOSER-"B"	A1	203105	ANCHOR & SPRING ASM	64	24752	SCREW-GAGE BLOCK MTG
13	216057	INTERPOSER-"C"	42	198899	SPRING-SELECTOR UNIT (3 USED)	65	38351	SCREW-BRUSH GAGE BRACKET MTG
14	216058	SPRING-SELECTOR UNIT EXTENSION	43	363221	ANCHOR-SPRING	68	161417	SCREW-SELECTOR CAM ADJUSTING SET
15	216059	PLATE-SPRING MTG	44	363223	SPRING-SELECTOR UNIT (9 USED)	69	197498	CAM-SELECTOR
18	216060	COMB-SELECTOR UNIT GUIDE	A2	203106	LEVER ARM ASM	70	257969	SCREW-SELECTOR CAM MTG SET
19	219578	SCREW-GUIDE COMB MTG	A3	203497	SOLENOID COIL ASM-(2 USED OUTSIDE)	72	336283	BLOCK-BRUSH GAGE
20	251970	SCREW-CABLE CLAMP MTG	A3	203498	SOLENOID COIL ASM-(1USED CENTER)	73	754339	BRACKET-BRUSH GAGE BLOCK MTG
22	257956	SCREW-INTERPOSER SET (.125 LG)	47	38264	FRAME-PLATE MTG	74	1090873	LOCKWASHER-SELECTOR UNIT MTG
23	257958	SCREW-INTERPOSER SET (.1875 LG)	48	363215	PLATE-GUIDE			
24	257984	LOCKWASHER-TERM BLOCK BIKT MTG	A3A	203496	TERMINAL ASM-COIL &			
25	363238	SHAFT-INTERPOSER	A3B	363212	BLOCK ASM-(7 USED)			



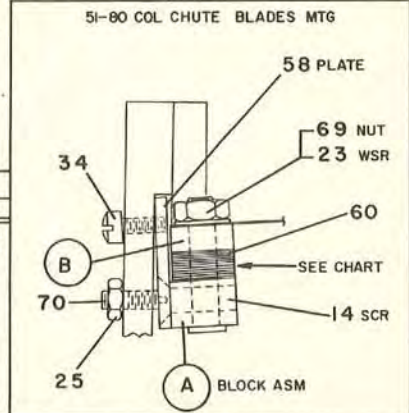
OLD AND NEW STYLE CHUTE BLADES AND MTG COMPONENTS

OLD PART NO.	NEW PART NO.	DESCRIPTION
336245	336954	Block Ass. Chute Blade Support
336539	336958	Spacer Ass. Chute Blade
22931	257187	Nut Chute Blade Support
-----	1090622	Washer Chute Blade Support
336177	336964	Blade # 12 Chute
336178	336965	Blade # 1 Chute
336179	336966	Blade # 2 Chute
336180	336967	Blade # 3 Chute
336181	336968	Blade # 4 Chute
336182	336969	Blade # 5 Chute
336183	336970	Blade # 6 Chute
336184	336971	Blade # 7 Chute
336185	336972	Blade # 8 Chute
336186	336973	Blade # 9 Chute
336187	336974	Blade Guide
336188	336975	Blade # 0 Chute
336189	336976	Blade # 11 Chute

NOTE: Old And New Style Parts Are Not Interchangeable

51-80 CHUTE BLADES

PART NO.	DESCRIPTION
198767	Blade # 12 Chute
198786	Blade # 11 Chute
198787	Blade # 0 Chute
198788	Blade # 1 Chute
198789	Blade # 2 Chute
198790	Blade # 3 Chute
198846	Blade # 4 Chute
198848	Blade # 5 Chute
198849	Blade # 6 Chute
198851	Blade # 7 Chute
198860	Blade # 8 Chute
198861	Blade # 9 Chute
198765	Guide



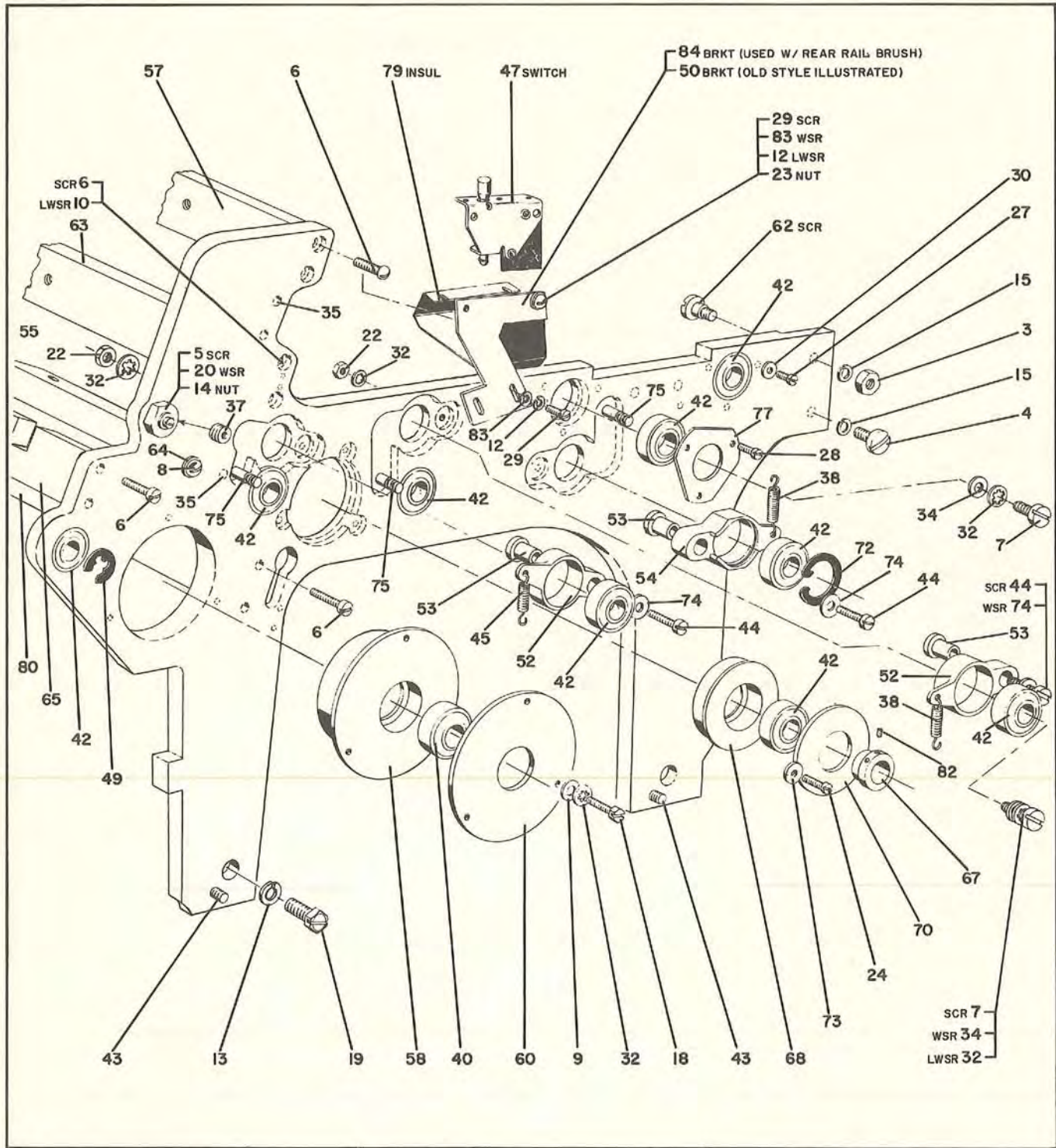
A	202700	BLOCK ASM-CHUTE BLADE (51 - 80 COL)
B	336958	SPACER ASM-CHUTE BLADE
PARTS NOT INCLUDED WITH ASSEMBLIES		
10	221	NUT-SIDE RAIL DOWEL
11	232	SCREW-RIGHT RAIL MTG
12	845	SCREW-MTG
13	2025	SCREW-FEED ROLL HANGER
14	4636	SCREW-BLOCK MTG
17	6364	LOCKWASHER-CHUTE BLADE ANCHOR
18	9092	LOCKWASHER-MTG
20	10170	SCREW-CHUTE BLADE ANCHOR
23	22478	WASHER-CHUTE BLADE MTG
24	25931	NUT-MTG
25	37913	NUT-BLADE BLOCK ADJUSTING SCREW
28	38051	NUT-CHUTE BLADE ANCHOR
29	38235	SCREW-MTG
30	38262	SCREW-MTG

33	38263	SCREW-MTG
34	38351	SCREW-PLATE MTG
35	38352	SCREW-MTG
39	42827	SPRING-3RD LOWER FEED ROLL
40	45677	WASHER-1ST LOWER FEED ROLL
42	45690	WASHER
43	60646	LOCKWASHER
44	102691	WASHER
47	110029	WASHER-CAM SHAFT FRONT
48	110129	BEARING
49	114201	WASHER
50	149695	SCREW-RAIL ADAPTER
53	151439	SPRING
54	156231	BEARING-CAM SHAFT
55	198897	BRACKET-FRONT RAIL ADAPTER (51 - 80)
57	156364	BEARING
58	200656	PLATE-BLOCK ASM MTG
59	205759	SCREW-3RD LOWER FEED ROLL
60	200680	SHIM-CHUTE BLADE
63	219743	CLIP-CAM SHAFT
64	226798	SPRING-1ST UPPER FEED ROLL

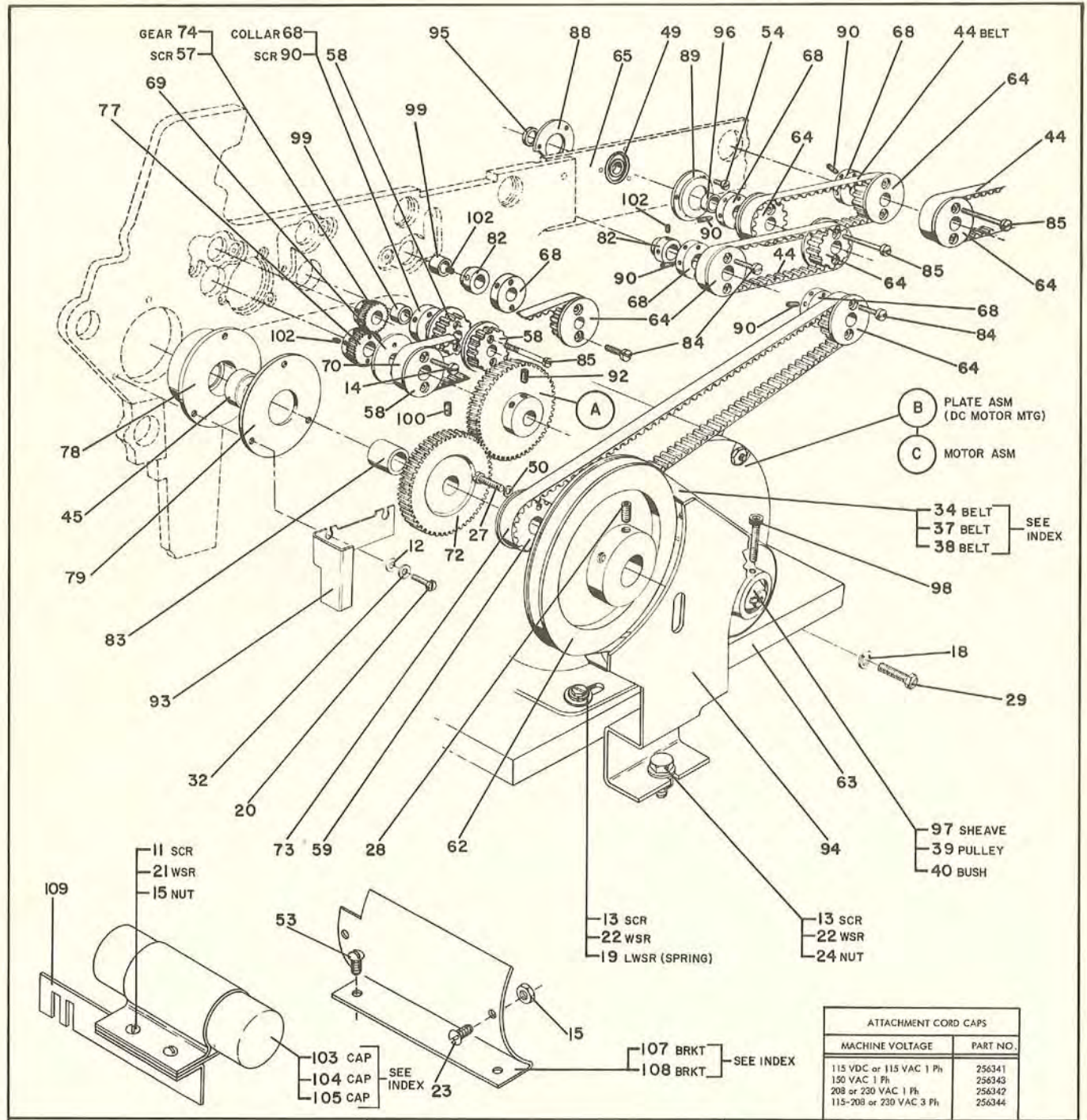
67	237245	CLIP-PICKER SHAFT
69	257189	NUT-CHUTE BLADE MTG
70	257967	SCREW-BLOCK ADJUSTING SET
73	336148	HANGER
74	336152	SLEEVE
75	336153	HANGER-BEARING HOUSING
77	336191	RAIL-FRONT
78	336260	GEAR-1ST LOWER FEED ROLL
79	336270	HUB-BEARING
80	336284	SCREW-SIDE RAIL DOWEL
83	336297	BRACKET-FRONT RAIL ADAPTER (STD)
84	336301	STUD-FRAME FRONT
85	336315	RETAINER-1ST LOWER FEED ROLL
88	336320	RING-RETAINING
90	336323	WASHER
93	336325	STUD-REAR
94	336332	SHIM - .0045 THICK
95	336333	SHIM - .0030 THICK
98	336346	RETAINER-PICKER SHAFT
99	338169	LOCKWASHER-3RD UPPER FEED ROLL
102	1073462	SCREW-SET



Rear Bearings



3	221	NUT-MTG	29	38574	SCREW	58	336276	RETAINER-BEARING
4	232	SCREW-MTG	30	45652	WASHER-4TH UPPER FEED ROLL RET	59	336277	WASHER-CAM SHAFT
5	420	SCREW-HOPPER PLATE ADAPTER	32	60646	LOCKWASHER	62	336284	SCREW-DOWEL
6	441	SCREW-MTG	34	102691	WASHER	63	336299	BAR-THROAT KNIFE SUPPORT
7	845	SCREW-FEED ROLL RETAINING	35	127735	PIN-TAPER	64	336300	DOWEL-THROAT ROLLER BAR
8	1535	SCREW-THROAT ROLLER BAR	37	138296	SCREW-HOPPER PLATE ADJUSTING	65	336302	BAR-CARD POST SUPPORT
9	2903	WASHER-MTG	38	151439	SPRING	67	336310	COLLAR-CONTACT ROLL
10	6318	LOCKWASHER	40	156231	BEARING-CAM SHAFT	68	336311	HUB-CONTACT ROLL BRNG
12	6364	LOCKWASHER	42	156364	BEARING	70	336312	RETAINER-CONTACT ROLL REAR
13	6935	LOCKWASHER	43	161570	DOWEL	72	336320	RING-RETAINING
14	8163	NUT-HOPPER PLATE BASE ADJUSTING	44	205759	SCREW	73	336322	WASHER
15	9092	LOCKWASHER	45	226798	SPRING	74	336323	WASHER
18	12954	SCREW	47	231658	SWITCH-INTERLOCK	75	336325	STUD-SPRING ANCHOR
19	19852	SCREW	49	237245	CLIP-RETAINING	77	336346	RETAINER-3RD UPPER FEED ROLL
20	22066	WASHER-HOPPER PLATE ADAPTER	50	327064	BRACKET-SWITCH MTG	79	336612	INSULATOR
22	23931	NUT	52	336146	HANGER-BEARING	80	336763	SUPPORT-CARD LEVER BRACKET
23	38051	NUT-SWITCH MTG	53	336152	SLEEVE-PIVOT	82	1073462	SCREW-CONTACT ROLL COLLAR
24	38235	SCREW	54	336153	HANGER-HOUSING	83	1090622	WASHER
27	30350	SCREW-4TH UPPER FEED ROLL RETAINING	55	336259	BAR-HOPPER BASE SUPPORT	84	336798	BRACKET - INTERLOCK SW (USED W/RAIL BRUSH)
28	38352	SCREW	57	336274	BAR-UPPER PLATE SUPPORT			

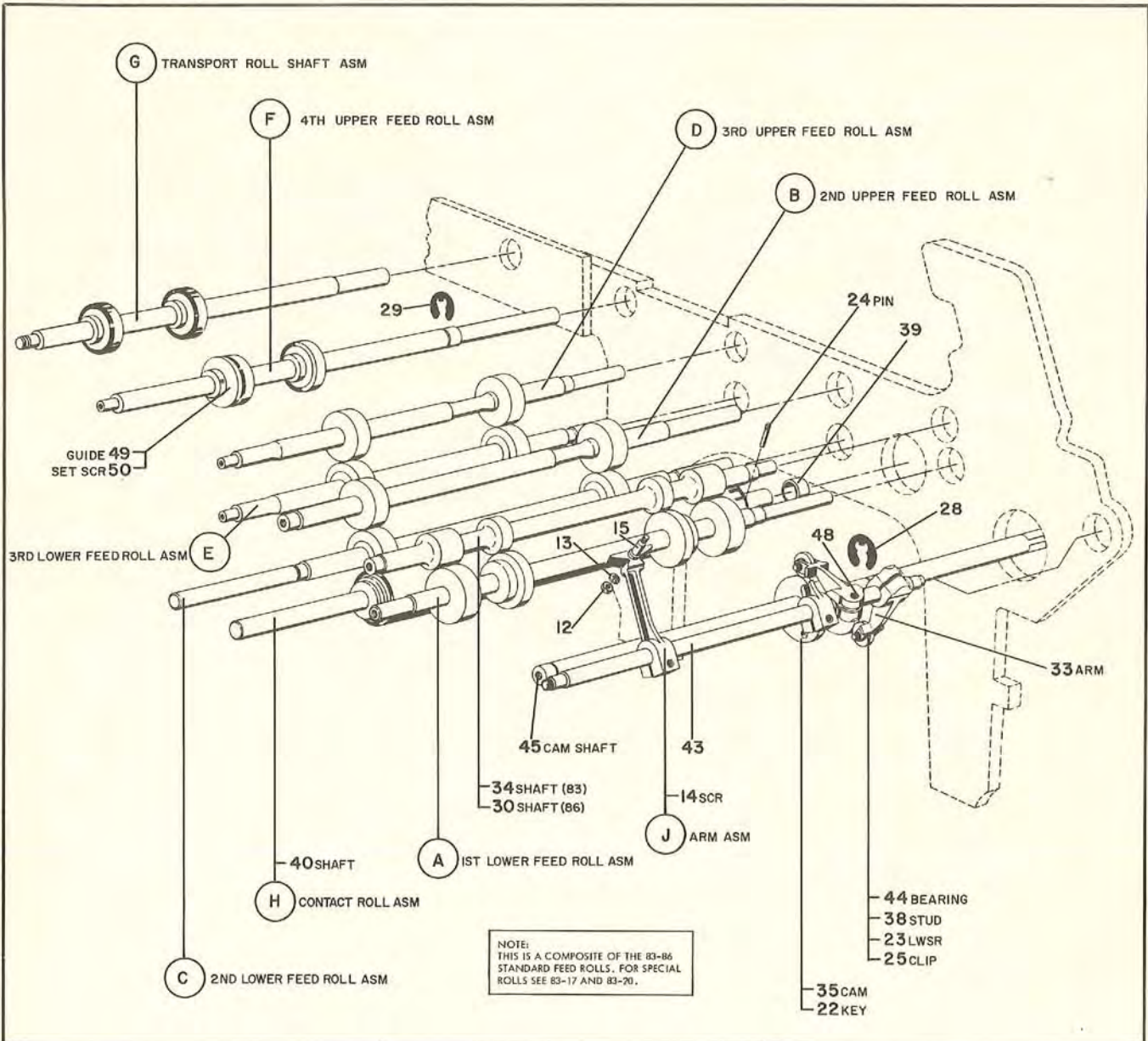


ATTACHMENT CORD CAPS	
MACHINE VOLTAGE	PART NO.
115 VDC or 115 VAC 1 Ph	256341
150 VAC 1 Ph	256343
208 or 230 VAC 1 Ph	256342
115-208 or 230 VAC 3 Ph	256344

A	336106	GEAR ASM-1ST LOWER FEED ROLL	24	25793	NUT-BELT GUARD MTG	77	336267	GEAR-1ST LOWER FEED ROLL
B	327227	PLATE ASM-DC MOTOR	27	38359	SCREW-TIMING BELT PULLEY	78	336276	RETAINER-CAM SHAFT BEARING
C	316362	MOTOR ASM-115V 60 CY	28	59560	SCREW-PULLEY	79	336277	WASHER-CAM SHAFT BACK
C	209462	MOTOR ASM-230V 60 CY	29	59647	SCREW-MTG	82	336310	COLLAR-BEARING RETAINING
C	336843	MOTOR ASM-115V DC	32	60646	LOCKWASHER-MTG	83	336316	SPACER-CAM SHAFT REAR
C	336848	MOTOR ASM-230V DC	34	126384	BELT-"V" (DC VOLTAGE GROUPS)	84	336324	SCREW-PULLEY
C	336871	MOTOR ASM-115V 50 CY	37	126385	BELT-"V" (60 CYCLE GROUPS)	85	336331	SCREW-MTG
C	336872	MOTOR ASM-230V 50 CY	38	126386	BELT-"V" (25 & 50 CYCLE GROUPS)	88	336344	PLATE-TRANSPORT ROLL RETAINING
C	336882	MOTOR ASM-115V 25 CY (1 & 3 PHASE)	39	142036	PULLEY-ADJUSTABLE (25 & 50 CY)	89	336345	CLAMP-TRANSPORT ROLL
C	336883	MOTOR ASM-230V 25 CY (1 & 3 PHASE)	40	148303	BUSHING-PULLEY SHAFT	90	336359	SCREW-SET
C	336895	MOTOR ASM-150V 60 CY (1 PHASE)	44	148368	BELT-FEED DRIVE	92	336364	SCREW-GEAR ASM SET
			45	156231	BEARING-CAM SHAFT	93	336414	GUARD-GEAR
			49	156364	BEARING-TRANSPORT ROLL	94	336416	GUARD-BELT
			50	166572	LOCKWASHER-TIMING BELT PULLEY	95	336534	SPACER-FEED ROLLS UPPER
			53	263627	SCREW-BRACKET MTG	96	336593	SPACER-TRANSPORT ROLL
			54	311640	SCREW-CLAMP MTG	97	336695	SHEAVE-VARIABLE (115/60 230/60 115 DC)
			57	328816	SCREW-SET	98	336696	SCREW
			58	336143	PULLEY-18 TEETH	99	336936	SPACER-LOWER FEED ROLL
			59	336154	PULLEY-CAM SHAFT (18 GROOVES)	100	427033	SCREW-SET
			62	336162	PULLEY-CAM SHAFT DRIVE (V)	102	328815	SCREW-SET
			63	336170	BASE-FEED SUPPORT	103	336876	CAPACITOR-324-360 MFD 110V AC
			64	336176	PULLEY-19 TEETH	104	336877	CAPACITOR-88-108 MFD 220V AC
			65	336192	RAIL-REAR TRANSPORT	105	311536	CAPACITOR-161-193 MFD 160V AC
			68	336254	COLLAR-PULLEY	107	336825	BRACKET-CAP MTG (CAP MTG HOLES 4 7/8 CEN TO CEN)
			69	336255	SHEAVE-FEED ROLL PULLEY	108	336891	BRACKET-CAP MTG (CAP MTG HOLES 6 1/16 CEN TO CEN)
			70	336256	BELT-FEED ROLL	109	336878	BRACKET-CAPACITOR MTG (115V 50 CY)
			72	336262	GEAR-CAM SHAFT			
			73	336264	BELT-CAM SHAFT			
			74	336265	GEAR-1ST UPPER FEED ROLL			

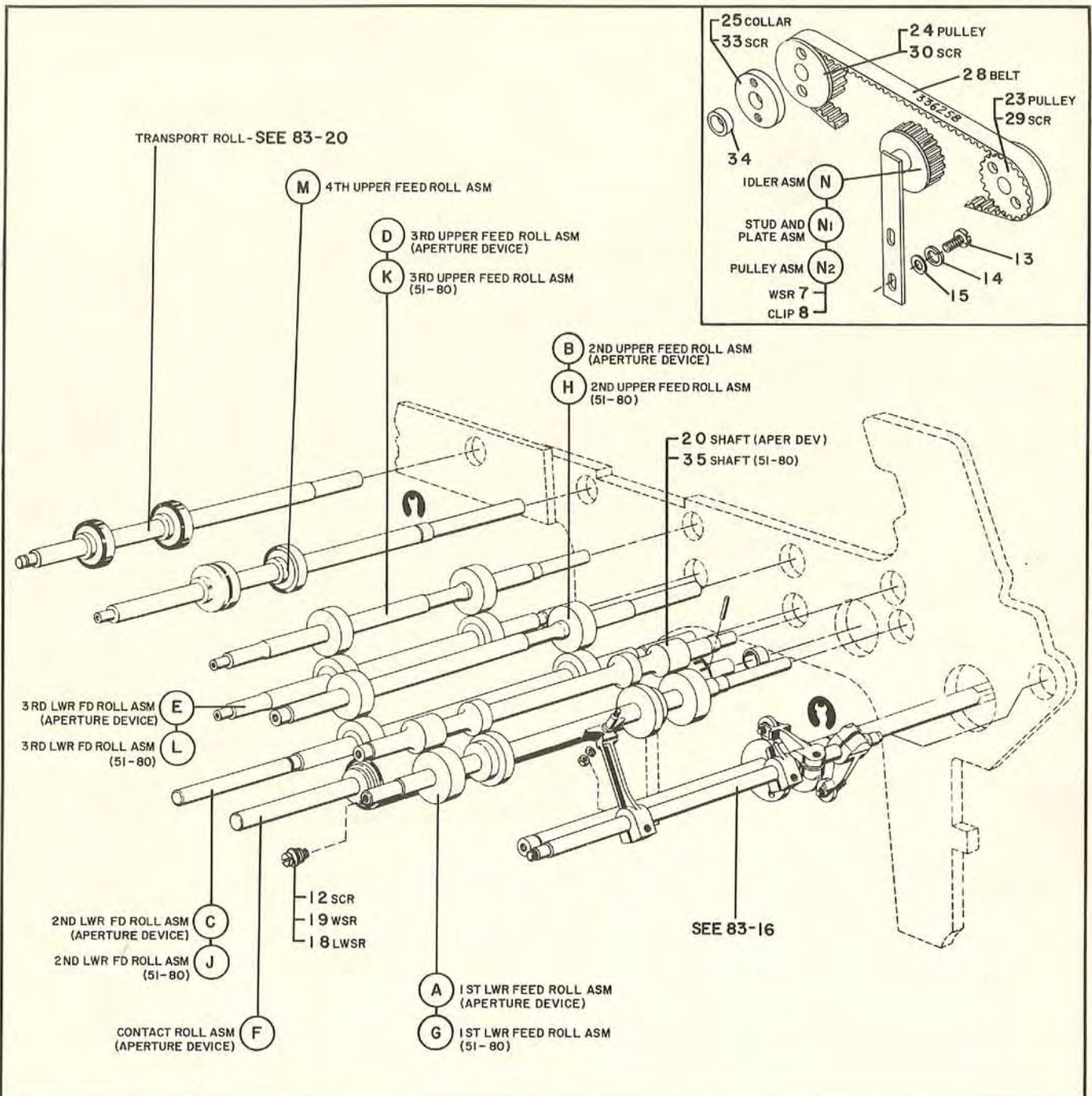
PARTS NOT INCLUDED WITH ASSEMBLIES

11	129	SCREW-CAPACITOR MTG
12	2903	WASHER-GEAR GUARD MTG
13	5471	SCREW-MOTOR MTG
14	5644	SCREW-PULLEY
15	6503	NUT-CAPACITOR MTG
18	6935	LOCKWASHER-MTG
19	10310	LOCKWASHER-MOTOR MTG
20	12954	SCREW-CAM SHAFT RETAINER
21	6318	WASHER-CAPACITOR MTG
22	13035	WASHER-MOTOR MTG
23	25627	SCREW-MTG



A	336077	ROLL ASM-1ST LOWER FEED (83 MACH)	G	264613	SHAFT ASM-TRANSPORT ROLL (86 MACH)	29	237245	CLIP-RETAINING
A	265939	ROLL ASM-1ST LOWER FEED (86 MACH)	H	311943	ROLL ASM-CONTACT	30	265941	SHAFT-1ST UPPER FEED ROLL (86 MACH)
B	336930	ROLL ASM-2ND UPPER FEED (83 MACH)	J	336901	ARM ASM-PICKER KNIFE	33	336141	ARM-CAM FOLLOWER
B	264602	ROLL ASM-2ND UPPER FEED (86 MACH)	12	6503	NUT-STUD RETAINING	34	336158	SHAFT-1ST UPPER FEED ROLL (83 MACH)
C	336926	ROLL ASM-2ND LOWER FEED (83 MACH)	13	60646	WASHER-STUD RETAINING NUT	35	336163	CAM-CARD FEED
C	264600	ROLL ASM-2ND LOWER FEED (86 MACH)	14	129654	SCREW-ARM ASM MTG	38	336263	STUD-CAM FOLLOWER ARM
D	336934	ROLL ASM-3RD UPPER FEED (83 MACH)	15	336903	STUD-PICKER KNIFE ARM ASM	39	336313	SPACER-CONTACT ROLL
D	264591	ROLL ASM-3RD UPPER FEED (86 MACH)	PARTS NOT INCLUDED WITH ASSEMBLIES			40	336314	SHAFT-CONTACT ROLL
E	336932	ROLL ASM-3RD LOWER FEED (83 MACH)	22	12015	KEY-CAM	43	336319	SHAFT-PICKER KNIFE
E	264595	ROLL ASM-3RD LOWER FEED (86 MACH)	23	12552	LOCKWASHER-MTG	44	336321	BEARING-CAM FOLLOWER
F	336092	ROLL ASM-4TH UPPER FEED (83 MACH)	24	25643	PIN-CONTACT ROLL REAR	45	336328	SHAFT-CAM
F	265605	ROLL ASM-4TH UPPER FEED (86 MACH)	25	60489	CLIP-BEARING RETAINING SPRING	48	336363	SCREW-SET
G	336096	SHAFT ASM-TRANSPORT ROLL (83 MACH)	28	219743	CLIP-CAM SHAFT SPRING	49	336831	GUIDE-FEED ROLL
						50	1100523	SCREW-SET





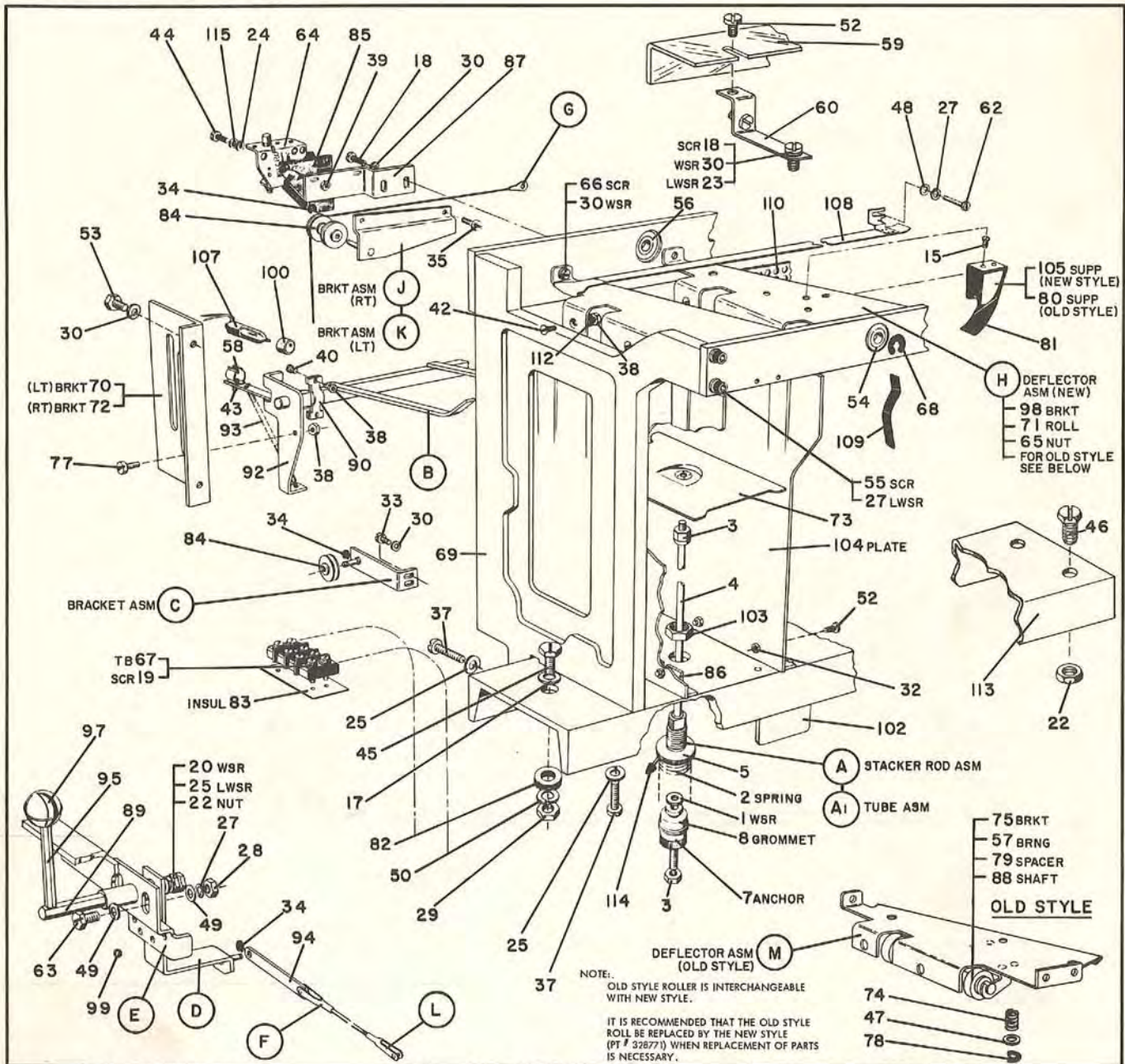
A	267641	SHAFT ASM-1ST LWR FD RL (APERATURE DEVICE)
B	267647	SHAFT ASM-2ND UP FD RL (APERATURE DEVICE)
C	267645	SHAFT ASM-2ND LWR FD RL (APERATURE DEVICE)
D	267651	SHAFT ASM-3RD UP FD RL (APERATURE DEVICE)
E	267649	ROLL ASM-3RD LWR FD (APERATURE DEVICE)
F	267659	ROLL ASM-CONTACT (APERATURE DEVICE)
G	754315	ROLL ASM-1ST LWR FEED (51-80)
H	754313	SHAFT ASM-2ND UP FEED ROLL (51-80)
J	754332	SHAFT ASM-2ND LWR FEED ROLL (51-80)
K	754328	SHAFT ASM-3RD UP FEED ROLL (51-80)

L	754330	ROLL ASM-3RD LOWER FEED (51-80)
M	200513	ROLL ASM-4TH UPPER FEED (51-80)
N	363287	IDLER ASM-BELT TENSION
7	3550	WASHER
8	257982	CLIP
N1	363284	STUD & PLATE ASM-IDLER
N2	363290	PULLEY ASM-IDLER
PARTS NOT INCLUDED WITH ASSEMBLIES		
12	845	SCREW-1ST & 3RD LWR FEED ROLLS (51-80)
13	2994	SCREW-IDLER ASM MTG (51-80)
14	9092	LOCKWASHER-IDLER ASM MTG
15	45690	WASHER-IDLER ASM MTG

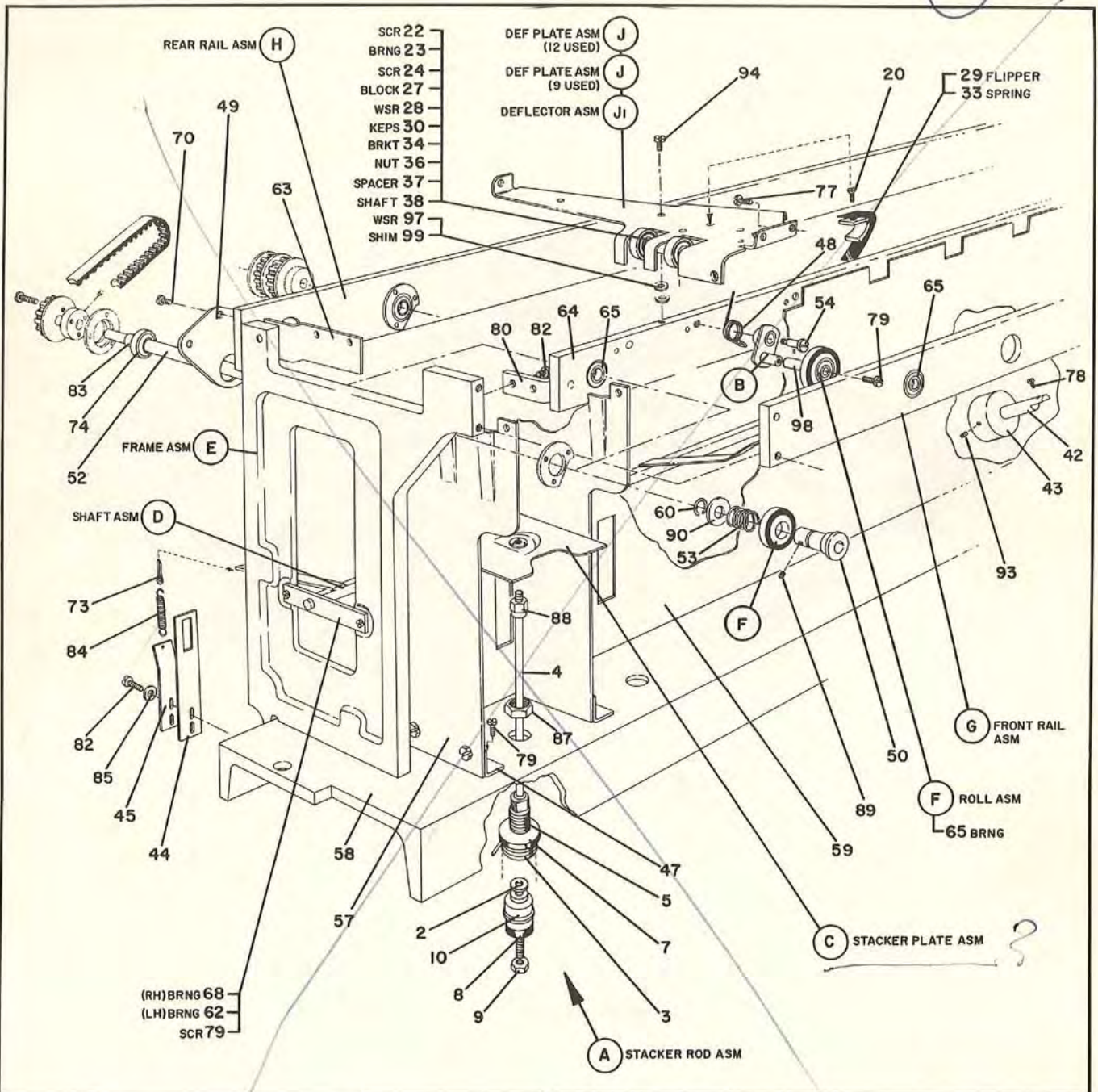
18	60646	LOCKWASHER - 1ST & 3RD LWR FD ROLLS (51-80)
19	102691	WASHER-1ST & 3RD LWR FD ROLLS (51-80)
20	267643	SHAFT-1ST UP FD RL (APERATURE DEVICE)
23	336143	PULLEY-XX TEETH-3RD UP (51-80)
24	336176	PULLEY-XX TEETH-4TH UP (51-80)
25	336254	COLLAR-3RD UPPER FD ROLL (51-80)
28	336258	BELT-3RD & 4TH UP ROLL DRIVE (51-80)
29	336324	SCREW-2ND UP 3RD (PULLEY MTG 51-80)
30	336331	SCREW-4TH UP PULLEY MTG (51-80)
33	336359	SCREW-3RD UP COLLAR MTG SET (51-80)
34	336593	SPACER-3RD AND 4TH UP FD RL (51-80)
35	754333	SHAFT-1ST UP FEED ROLL (51-80)



Pocket Stackers & Deflector Asms



A	336236	ROD ASM-STACKER	22	3960	NUT-STUD MTG	69	336190	FRAME-CASTING LEFT END
1	3550	WASHER-TUBE	23	6318	LOCKWASHER-MTG	70	336199	BRACKET-POCKET STOP (LEFT)
2	336234	SPRING-STACKER	24	6364	LOCKWASHER-SWITCH MTG	71	328771	ROLL-LOWER TRANSPORT
3	336756	NUT-STACKER ROD	25	6935	LOCKWASHER-MTG	72	336200	BRACKET-POCKET STOP (RIGHT)
4	336801	ROD-STACKER	27	9092	LOCKWASHER-MTG	73	336214	PLATE-CARD STACKER
5	336802	FLANGE-SPRING ANCHOR	28	11598	NUT-HANDLE BRACKET MTG	74	336278	SPRING-BRACKET MTG (OLD STYLE)
7	336803	ANCHOR-SPRING	29	22349	NUT-CHANNEL MTG	75	336292	BRACKET-LOWER ROLL MTG (OLD STYLE)
8	801772	GROMMET-TUBE	30	22478	WASHER-MTG	77	336304	SCREEN-POCKET STOP LOCATING
A 1	336747	TUBE ASM-SPRING ANCHOR	32	23931	NUT-SIDE PLATE MTG	78	336329	RING-BRACKET RETAINING (OLD STYLE)
B	336289	STOP ASM-POCKET SHAFT	33	24752	SCREW-LOWER PULLEY BRACKET MTG	79	336330	SPACER-LOWER TRANSPORT ROLL (OLD STYLE)
C	336599	BRACKET ASM-POCKET STOP PIVOT	34	25282	CLIP-RETAINING	80	336366	BRACKET-FLIPPER SPRING (OLD STYLE)
D	336608	PLATE ASM-POCKET STOP PIVOT	35	34512	SCREW-BRACKET MTG	81	336367	SPRING-CARD FLIPPER
E	336626	PLATE ASM-BASE PIVOT STOP POCKET	37	36844	SCREW-MTG	82	336422	SHIM-CHANNEL (.015" THICK)
F	336643	LINK ASM-POCKET STOP	38	37913	NUT-MTG	83	336483	INSULATOR-TERMINAL BLOCK
G	336646	CABLE ASM-POCKET STOP	39	38051	NUT-SWITCH MTG	84	336595	PULLEY-POCKET STOP
H	336754	DEFLECTOR ASM-CARD (NEW STYLE)	40	38262	SCREW-POCKET STOP CLAMP	85	336612	INSULATOR-INTERLOCK SWITCH
J	336770	BRACKET ASM-RIGHT	42	38433	SCREW-MTG	86	336339	BRACKET-PLATE MTG
K	336772	BRACKET ASM-LEFT	43	38562	SCREW-CLIP MTG	87	336613	BRACKET-SWITCH AND CARD DECK MTG
L	1070020	LINK ASM-CLEVIS ADJUSTING	44	38574	SCREW-SWITCH MTG	88	336615	SHAFT-LWR TRANSPORT ROLL (OLD STYLE)
M	336208	DEFLECTOR ASM-CARD (OLD STYLE)	45	38693	BOLT-CHANNEL	89	336624	STUD-POCKET STOP PIVOT
			46	38688	BOLT-CHANNEL	90	336627	CLAMP-POCKET STOP
			47	45652	WASHER-BRACKET MTG (OLD STYLE)	92	336641	BRACKET-POCKET STOP & SPRING
			48	45690	WASHER-MTG	93	336642	SPRING-POCKET STOP SWITCH
			49	47242	WASHER-MTG	94	336644	LINK-POCKET STOP
			50	55520	LOCKWASHER-CHANNEL MTG	95	336647	HANDLE-POCKET STOP
			52	58207	SCREW-COVER & SIDE PLATE MTG	97	336649	KNOB-POCKET STOP
			53	77063	SCREW-BRACKET MTG	98	336651	BRACKET-LWR TRANSPORT ROLL
			54	110129	BEARING-TRANSPORT ROLLS	99	336655	BALL-POCKET STOP STEEL
			55	129654	SCREW-RAIL MTG (LEFT END)	100	336672	SLEEVE-MERCURY SWITCH
			56	156364	BEARING-TRANSPORT ROLL	102	336722	STRIKER-LATCH (UPPER REAR COVER)
			57	155749	BEARING-LOWER TRANSPORT ROLL (OLD)	103	336765	NUT-STACKER POCKET
			58	159822	CLIP-MERCURY SWITCH HOLDING	104	336768	PLATE-CARD POCKET SIDE
			59	194679	COVER-TRANSPORT PULLEY SAFETY	105	336808	SUPPORT-CARD FLIPPER (NEW STYLE)
			60	194684	BRACKET-SHIELD MTG	107	336817	SWITCH-POCKET STOP MERCURY
			62	204616	SCREW-SELECTOR UNIT & TAPE MTG	108	336820	TAPE-CARD GUIDE
			63	204659	SCREW-HANDLE BRACKET MTG	109	336836	SPRING-STACKER POCKET
			64	231658	SWITCH-INTERLOCK	110	336955	PLATE-POCKET BACK
			65	311699	LOCK-NUT-BRACKET MTG	112	338169	LOCKWASHER-MTG
			66	311642	SCREW-PLATE MTG	113	369416	BASE-CHANNEL
			67	323840	BLOCK-POCKET SWITCH TERMINAL	114	600893	KNOB-SAFETY
			68	332747	CLIP-TRANSPORT ROLL	115	1090622	WASHER-SWITCH MTG
PARTS NOT INCLUDED WITH ASSEMBLIES								
15	288	SCREW-FLIPPER SPRING MTG						
17	453	WASHER-CHANNEL						
18	453	SCREW-BRACKET MTG						
19	1928	SCREW-TERM BLOCK MTG						
20	3550	WASHER-MTG						

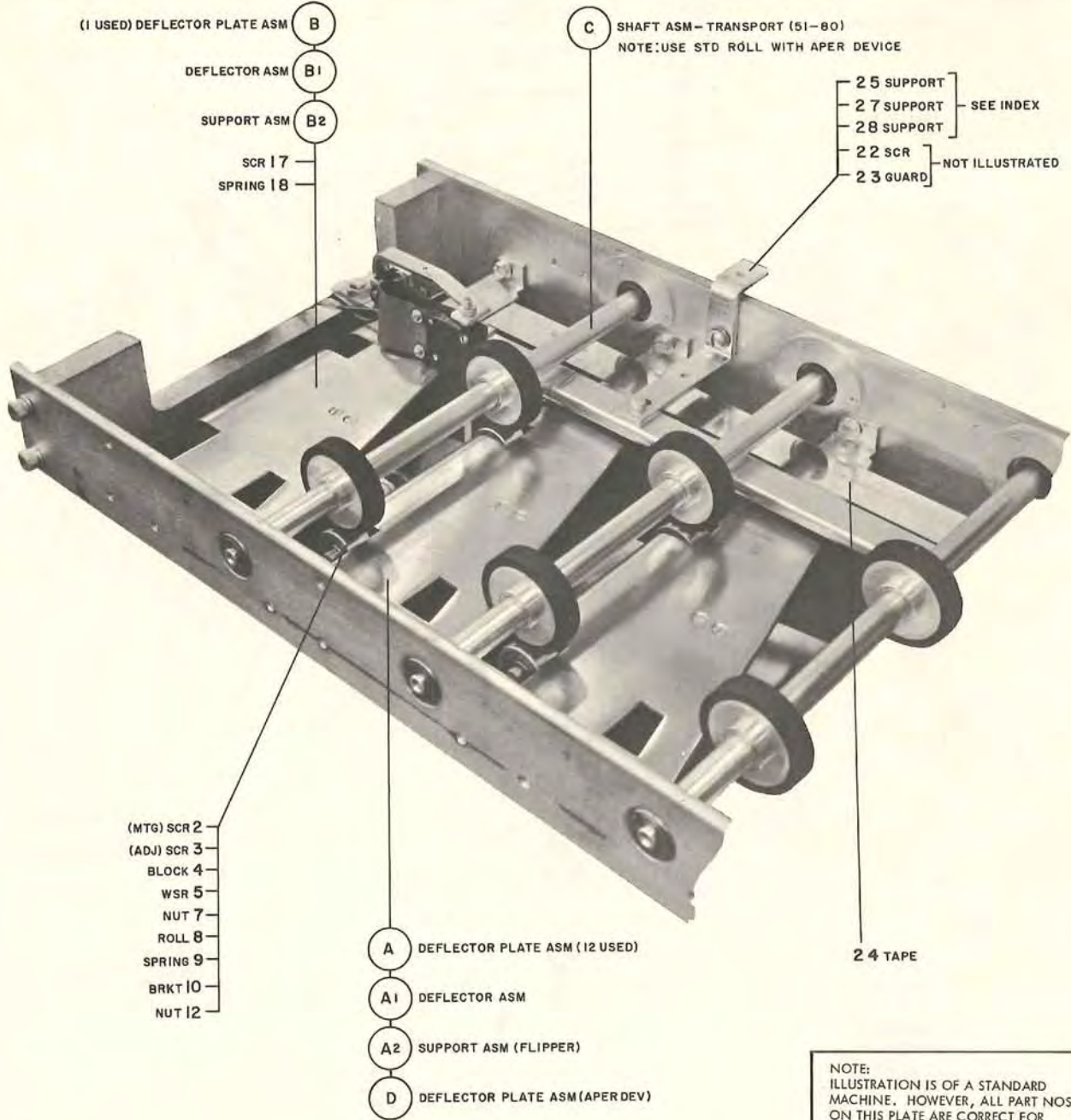


A	264655	STACKER ROD ASM
2	3550	WASHER-TUBE
3	264649	SPRING-EXTENSION
4	264656	ROD-STACKER
5	264657	TUBE-SPRING ANCHOR
7	336239	FLANGE-SPRING ANCHOR
8	336241	ANCHOR-SPRING
9	336766	NUT-STACKER ROD
10	801772	GROMMET-TUBE
B	264666	LEVER ASM-POWER STACKER
C	757734	PLATE ASM-CARD STACKER
D	264625	SHAFT ASM-POCKET STOP
E	264629	FRAME ASM-LEFT END
F	264611	ROLL ASM-POWER STACKER
G	264868	RAIL ASM-FRONT
H	264687	RAIL ASM-REAR
J	753566	PLATE ASM-DEFLECTOR (12 USED)
J	753564	PLATE ASM-DEFLECTOR (9 POCKET ONLY)
20	288	SCREW-CARD FLIPPER MTG
22	8506	NUT-CARD FLIPPER MTG
23	155749	BEARING-LOWER PRESSURE ROLL

24	203484	SCREW-LOWER PRESSURE ROLL MTG
27	203485	BLOCK-LWR PRESS ROLL BRKT RETAINING
28	257986	WASHER-LOWER PRESSURE ROLL MTG
29	264650	FLIPPER-CARD BRACKET
30	311699	KEPS-HEX (NUT & LWSR)
33	336367	SPRING-CARD FLIPPER
34	336651	BRACKET-LOWER PRESSURE ROLL
36	344015	NUT-LOWER PRESSURE ROLL ADJUSTING
37	602490	SPACER-LOWER PRESSURE ROLL
38	753561	SHAFT-LOWER PRESSURE ROLL MTG
J1	754184	DEFLECTOR ASM-CARD
PARTS NOT INCLUDED WITH ASSEMBLIES		
42	264639	ROD-COUNTER BALANCE SWITCH
43	264638	SWITCH-COUNTER BALANCE
44	264643	STOP-POCKET
45	264644	BRACKET-STOP POCKET SWITCH
47	264646	BRACKET-CARD POCKET PLATE
48	264670	SPRING-POWER STACKER
49	264694	HANGER-13 POCKET POWER STACKER
50	264696	BUSHING-13 POCKET POWER STACKER
52	754190	SHAFT-NO 9 POCKET
53	264697	SPRING-13 POCKET PWR STACKER
54	264709	SCREW-13 POCKET PWR STACKER
57	264636	PLATE-CARD POCKET SIDE
58	264631	BASE-CHANNEL

59	264630	PLATE-POCKET BACK
60	236474	RING-RETAINING (13TH POCK)
62	264628	BEARING-L,H. POCKET STOP SHAFT
63	264720	BRACKET-CARD DECK SWITCH
64	264633	BAR-POCKET BACK PLATE
65	110129	BEARING
68	264627	BEARING-R,H. POCKET STOP SHAFT
70	337	SCREW-HANGER MTG
73	185093	PIN-POCKET STOP
74	156364	BEARING-POWER STACKER SHAFT REAR
77	130562	SCREW
78	79842	SCREW-COUNTER BALANCE WEIGHT
79	58207	SCREW
80	264635	BRACKET-BAR MTG
82	38368	SCREW
83	264698	SPACER-13TH POCKET PULLEY
84	21644	SPRING-POCKET STOP MTG
85	22478	WASHER-POCKET STOP MTG
87	336765	NUT-STACKER ROD ASM MTG
88	336766	NUT-STACKER ROD PLATE MTG
89	53208	SCREW-POWER STACKER SET
90	77210	WASHER
93	112055	SCREW-SET
94	25627	SCREW-MTG
97	45690	WASHER-DEFLECTOR PLATE SHIM
98	753562	STUD-POWER ROLL MTG
99	336335	SHIM-DEFLECTOR PLATE





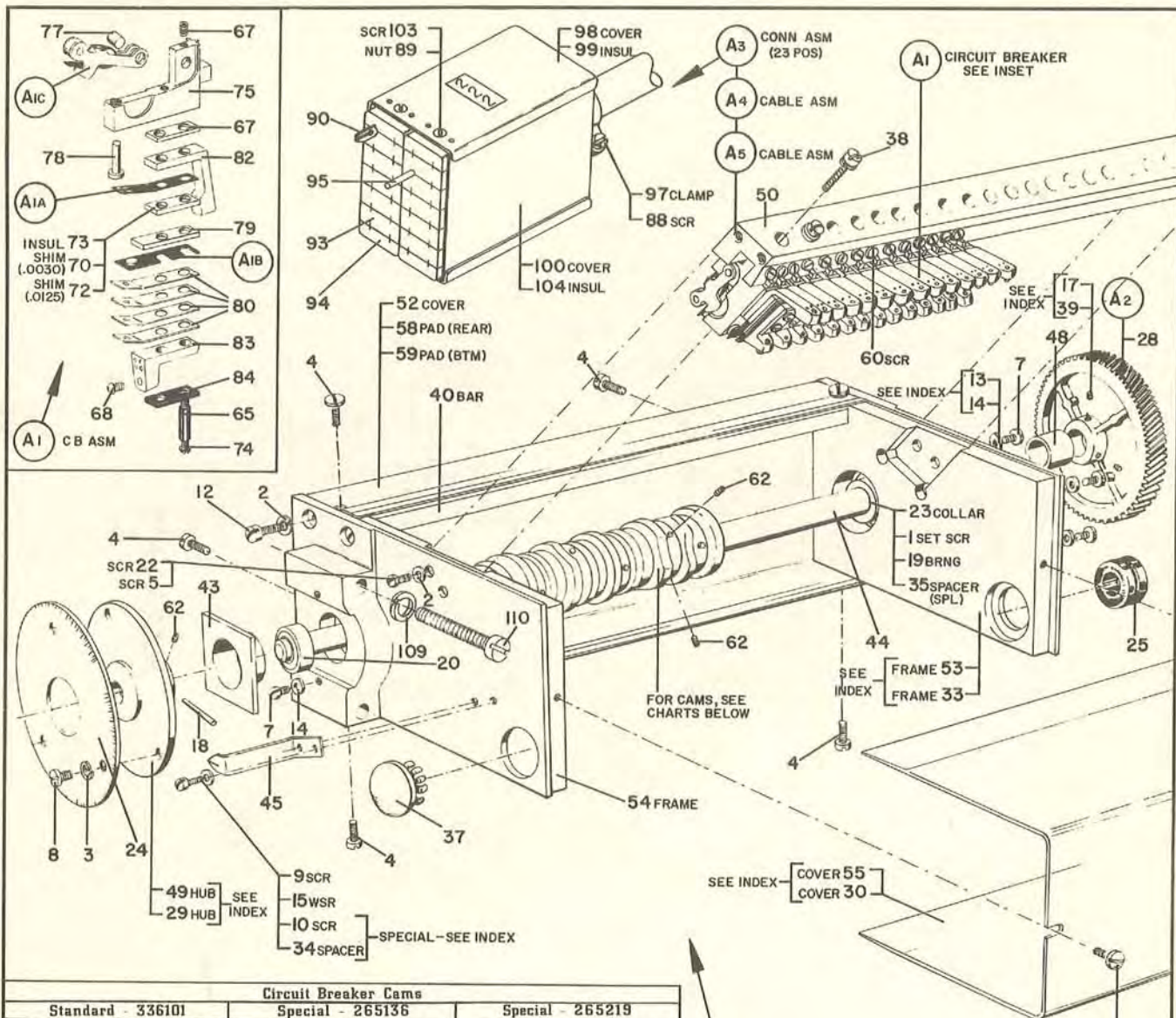
NOTE:
ILLUSTRATION IS OF A STANDARD
MACHINE. HOWEVER, ALL PART NOS
ON THIS PLATE ARE CORRECT FOR
MACHINES WITH 51-80 C.O.L FEAT. &
APERATURE DEVICE.

A	198890	DEFLECTOR PLATE ASM (12 USED)
2	288	SCREW-CARD FLIPPER MTG
3	203484	SCREW-LOWER PRESSURE ROLL ADJUSTING
4	203485	BLOCK-LWR PRESS ROLL BRACKET RETAINING
5	257986	WASHER-BRACKET MTG
7	311699	NUT-LOWER ROLL MTG
8	328771	ROLL-LOWER PRESSURE
9	336367	SPRING-CARD FLIPPER
10	336651	BRACKET-LOWER FEED ROLL
12	344015	NUT-LOWER PRESSURE ROLL ADJUSTING

A1	198724	DEFLECTOR ASM-CARD
A2	336808	SUPPORT ASM-CARD FLIPPER
B	198891	DEFLECTOR PLATE ASM-(1 USED - 9 PKT ONLY)
17	288	SCREW-CARD FLIPPER MTG
18	336367	SPRING-CARD FLIPPER
B1	198724	DEFLECTOR ASM-CARD
B2	336808	SUPPORT ASM-CARD FLIPPER
C	203256	SHAFT ASM-TRANSPORT ROLL UPPER
D	750873	DEFLECTOR PLATE ASM-APERATURE DEVICE

PARTS NOT INCLUDED WITH ASSEMBLIES		
22	58207	SCREW-GUARD MTG
23	194679	GUARD-PULLEY & BELT
24	203494	TAPE-CARD GUIDE (51-80)
25	754301	SUPPORT-JAM BAR & BELT COVER
27	754302	SUPPORT-JAM BAR STRIP (51-80)
28	753170	SUPPORT-JAM BAR STRIP (APERATURE DEVICE)





Circuit Breaker Cams											
Standard - 336101			Special - 265136				Special - 265219				
POS	PART NO.	POS	PART NO.	POS	PART NO.	POS	PART NO.	POS	PART NO.	POS	PART NO.
1	336712	9	336116	1	336712	11	336121	21	265220	31	336121
2	336118	10	336116	2	336118	12	336120	22	265220	32	226565
3	336118	11	336121	3	336118	13	336119	23	336121	33	265254
4	336118	12	336120	4	336118	14	336121	24	336121	34	265254
5	336118	13	336119	5	336118	15	336119	25	336118	35	265254
6	336118	14	336121	6	336118	16	336117	26	336117	36	265254
7	336119	15	336119	7	336119	17	336121	27	336118	37	265254
8	336116	16	336117	8	336116	18	336119	28	336118	38	265254
				9	336116	19	336117	29	336118	39	336117
				10	336116	19	336117	30	336121	40	336117

A	336101	CIRCUIT BREAKER ASM-STANDARD
A	265136	CIRCUIT BREAKER ASM-SPECIAL (CARD CNT)
A	265219	CIRCUIT BREAKER ASM-SPEC. (MCS, ZE, LF)
1	195	SCREW-COLLAR RETAINING SET
2	4318	LOCKWASHER-MTG
3	4364	LOCKWASHER-DIAL MTG
4	10170	SCREW-MTG
5	34512	SCREW-BAR MTG (MCS, ZE, & LF ONLY)
7	38263	SCREW-BEARING RETAINING
8	38350	SCREW-DIAL MTG
9	38351	SCREW-POINTER MTG
10	38353	SCREW-POINTER MTG (MCS, ZE, & LF ONLY)
12	38368	SCREW-BAR MTG
13	45621	LOCKWASHER-BRNG RET (MCS, ZE, & LF ONLY)
14	45639	WASHER-MTG
15	56722	LOCKWASHER-POINTER MTG
17	81404	SCREW-GEAR SET (MCS, ZE, & LF ONLY)
18	151231	PIN-TAPER
19	156231	BEARING-CB SHAFT (REAR)
20	156364	BEARING-CB SHAFT (FRONT)
22	186758	SCREW-CB BAR MTG
23	204452	COLLAR-BRACKET
24	225704	INDEX-CIRCUIT BREAKER
25	227379	GROMMET-CABLE
28	265228	GEAR-HELICAL DRIVE (MCS, ZE, & LF ONLY)
29	265222	HUB-INDEX (MCS, ZE, & LF ONLY)
30	265230	COVER-CB FRONT (MCS, ZE, & LF ONLY)
33	265231	FRAME-CB REAR (MCS, ZE, & LF ONLY)
34	265232	SPACER-CAM UNIT (MCS, ZE, & LF ONLY)
35	267530	SPACER-CAM SHAFT (MCS, ZE, & LF ONLY)
37	310411	PLUG-

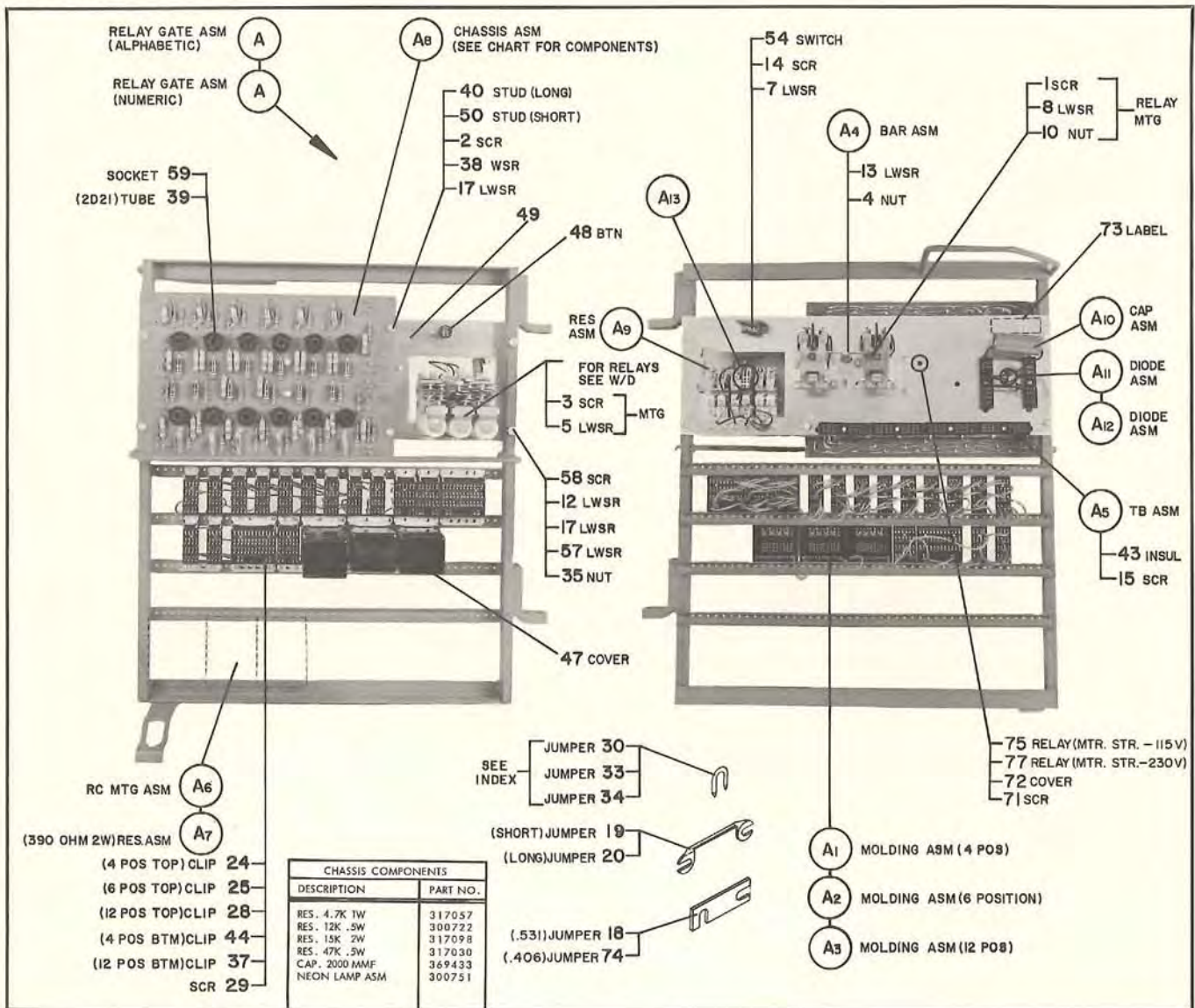
38	311641	SCREW-CB MTG
39	311794	SCREW-BREAKER ARM RETAINING SET
40	336102	BAR-CB UNIT CROSS
43	336103	SLEEVE-BEARING
44	336107	SHAFT-CIRCUIT BREAKER
45	336108	POINTER-INDEX
48	336109	SPACER-GEAR ASM
49	336110	HUB-INDEX
50	336111	BAR-CIRCUIT BREAKER MTG
52	336113	COVER-CB UNIT BACK
53	336114	FRAME-CB UNIT (REAR)
54	336115	FRAME-CB UNIT (FRONT)
55	336671	COVER-CB UNIT FRONT
58	336947	PAD-CB UNIT REAR
59	336948	PAD-CB UNIT BOTTOM
60	344872	SCREW-CB ADJUSTING
62	1073462	SCREW-RETAINING SET
A1	228110	CIRCUIT BREAKER ASM
65	100237	INSULATION-SCREW
67	101017	SCREW-BREAKER ARM PIVOT SET
68	118418	SCREW-CB JUMPER
69	205743	INSULATOR-BLOCK CAM CONTACT
70	205747	SHIM-CONTACT (.0030 THICK)
72	205783	SHIM-CONTACT (.0125 THICK)
73	228147	INSULATOR-CONTACT BLOCK
74	228164	SCREW-WASHER HEAD
75	228472	BLOCK-CONTACT MTG
77	228475	PIVOT-BREAKER ARM
78	228476	PLUNGER-CONTACT
79	228477	STIFFENER-UPPER CONTACT

80	228478	DAMPENER-UPPER CONTACT
82	228480	TERMINAL BLOCK-CONTACT
83	228481	TERMINAL BLOCK-CONTACT
84	230736	INSULATOR-BLOCK CAM CONTACT
A1A	205742	STRAP ASM-CONTACT
A1B	228107	STRAP ASM-CONTACT
A1C	228109	ARM ASM-CARD FEED
A2	336104	GEAR ASM-CB DRIVE
A3	336353	CONNECTOR ASM-VARICON (23 POS MALE)
88	38351	SCREW-STRAIN CLAMP
89	47987	NUT-MTG
90	316490	CONTACT-SOLDERLESS LONG
93	316492	SECTION-VARICON CENTER (10 USED)
94	316493	SECTION-VARICON END (MALE -4 USED)
95	316497	PIN-CONNECTOR GUIDE
97	316498	CLAMP-CONNECTOR STRAIN
98	316499	COVER-CONNECTOR END
99	316506	INSULATION-CONN END COVER
100	336354	COVER-VARICON
103	336355	SCREW-VARICON
104	336356	INSULATION-VARICON CONNECTOR
A4	336568	CABLE ASM-CIRCUIT BREAKER
A5	265202	CABLE ASM-CAM CONTACT (SPEC. -W/CD CNT)

PARTS NOT INCLUDED WITH ASSEMBLIES

109	9092	LOCKWASHER-CB UNIT MTG
110	81142	SCREW-CB UNIT MTG

Relay Gates (Late Models)



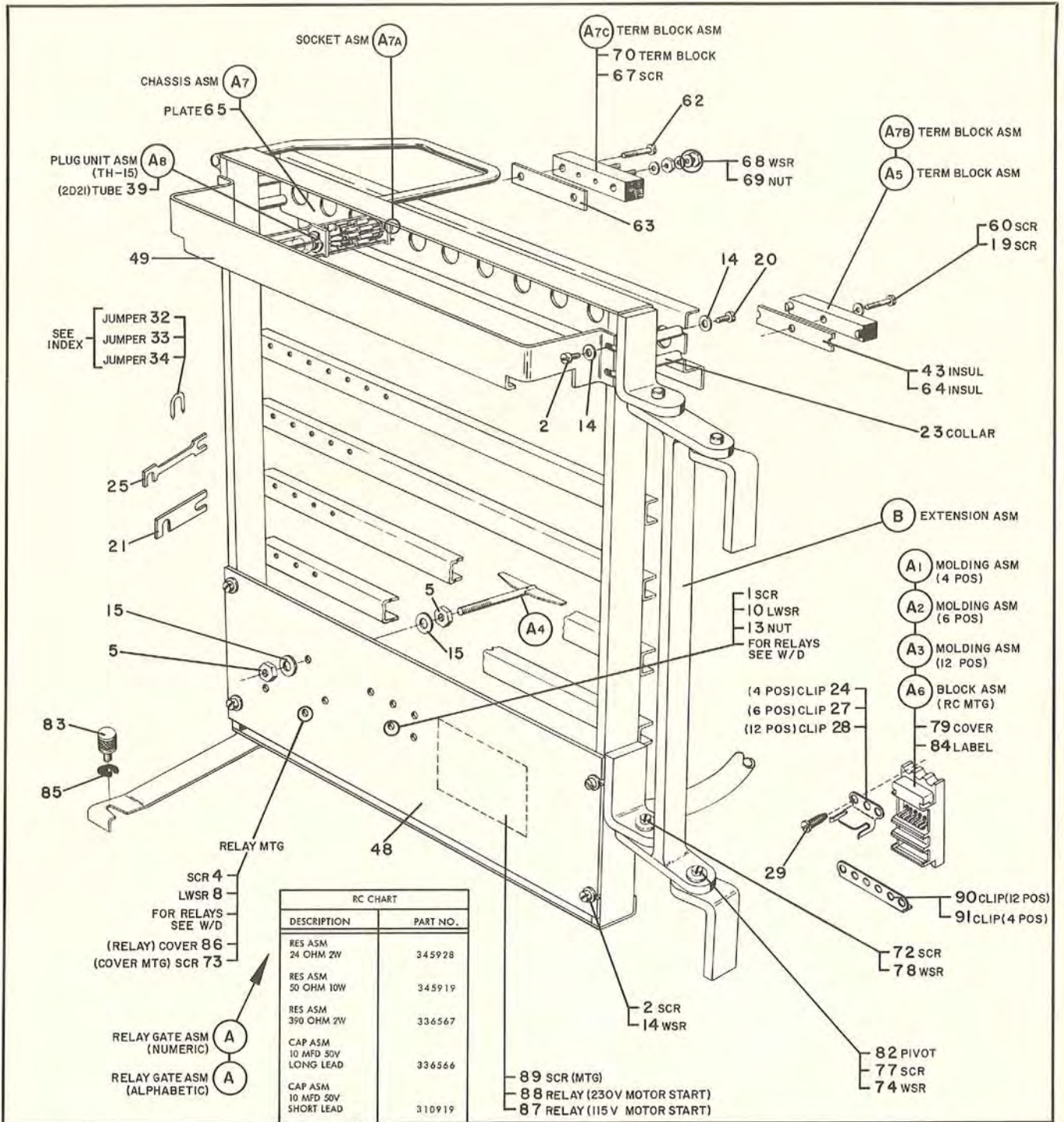
CHASSIS COMPONENTS	
DESCRIPTION	PART NO.
RES. 4.7K 1W	317057
RES. 12K .5W	300722
RES. 15K 2W	317098
RES. 47K .5W	317030
CAP. 2000 MMF	369433
NEON LAMP ASM	300751

A	311606	GATE ASM-NUMERIC RELAY
A	311611	GATE ASM-ALPHABETIC RELAY
1	232	SCREW-HD RELAY MTG
2	455	SCREW-CHASSIS ASM MTG
3	2300	SCREW-DUO RELAY MTG
4	3960	NUT-TOGGLE BAR
5	6318	LOCKWASHER-DUO RELAY MTG
7	6364	LOCKWASHER-SWITCH MTG
8	9092	LOCKWASHER-HD RELAY MTG
10	11598	NUT-HD RELAY MTG
12	22478	WASHER-MTG
13	37073	LOCKWASHER-TOGGLE BAR
14	38350	SCREW-SWITCH MTG
15	38566	SCREW-MTG
17	55901	LOCKWASHER-STUD MTG
18	120944	JUMPER-BRASS (.531 CEN TO CEN)
19	121349	JUMPER-BRASS (31/32" CEN TO CEN)
20	122436	JUMPER-BRASS (1 31/32" CEN TO CEN)
24	159944	CLIP-4 POSITION TOP
25	159945	CLIP-6 POSITION TOP

28	159946	CLIP-12 POSITION TOP
29	198363	SCREW-MOLDING MTG
30	205329	JUMPER-BRASS (5/32")
33	205330	JUMPER-BRASS (3/16")
34	205331	JUMPER-BRASS (1/8")
35	257189	NUT-MTG
37	284424	CLIP-12 POS BOTTOM
38	300606	WASHER-INSULATING
39	300704	TUBE-2D21
40	301298	STUD-TUBE CHASSIS (LONG)
43	302131	INSULATOR-BLOCK ASM
44	308704	CLIP-4 POSITION BOTTOM
47	326323	COVER
48	336835	BUTTON-ERROR RET SWITCH
49	336861	SUPPORT
50	336991	STUD-TUBE CHASSIS (SHORT)
54	336994	SWITCH-ERROR RET
57	1090873	LOCKWASHER-MTG
58	1091210	SCREW-MTG
A1	159941	MOLDING ASM-4 POSITION

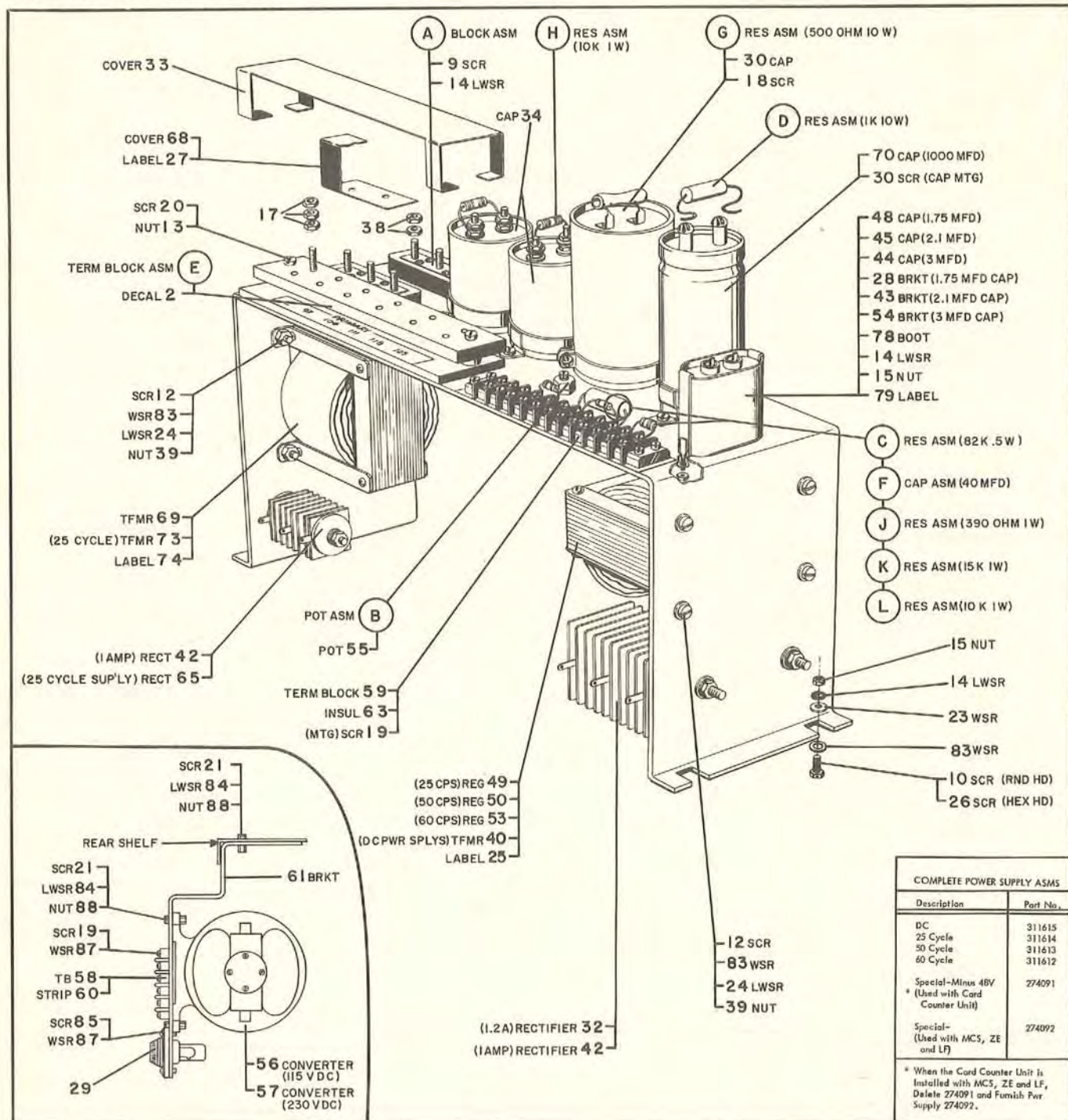
A2	159942	MOLDING ASM-6 POSITION
A3	159943	MOLDING ASM-12 POSITION
A4	207793	BAR ASM-TOGGLE
A5	302090	BLOCK ASM-TERMINAL
A6	326368	MOUNTING ASM-RC
A7	336567	RESISTOR ASM-390 OHM 2W
A8	336610	CHASSIS ASM-PRINTED WIRE SEE CHART FOR COMPONENTS
59	336995	SOCKET-TUBE
A9	345919	RESISTOR ASM-DELAY RELAY
A10	345925	CAPACITOR ASM-DOUBLER
A11	345926	DIODE ASM-105V (2 USED)
A12	345927	DIODE ASM-TYPE P (1 USED)
A13	345928	SORTER ASM-THERMAL
PARTS NOT INCLUDED WITH ASSEMBLIES		
71	10170	SCREW-COVER MTG
72	311481	COVER-RELAY
73	369207	LABEL
74	120943	JUMPER-BRASS(.406 CEN TO CEN)
75	311907	RELAY - MOTOR START (115 V)
77	189939	RELAY - MOTOR START (230 V)





RC CHART	
DESCRIPTION	PART NO.
RES ASM 24 OHM 2W	345928
RES ASM 50 OHM 10W	345919
RES ASM 390 OHM 2W	336567
CAP ASM 10 MFD 50V LONG LEAD	336566
CAP ASM 10 MFD 50V SHORT LEAD	310919

A	336350	GATE ASM-RELAY (NUMERIC)	39	300704	TUBE-2021	A8	336616	PLUGGABLE UNIT ASM-TH-15
A	336579	GATE ASM-RELAY (ALPHABETIC)	43	302131	INSULATOR-TERMINAL BLOCK	B	301672	EXTENSION ASM-RELAY GATE
1	232	SCREW-MTG.	48	336317	PANEL-RELAY MTG.	PARTS NOT INCLUDED WITH ASSEMBLIES		
2	337	SCREW-MTG.	49	336318	SHIELD-TUBE GUARD	72	2300	SCREW-RELAY GATE HINGE
4	2300	SCREW-DUO RELAY MTG.	A1	159941	MOLDING-ASM-4 POSITION	73	10170	SCREW-MTG.
5	3960	NUT	A2	159942	MOLDING-ASM-6 POSITION	74	22478	WASHER-PIVOT
8	6318	LOCKWASHER-DUO RELAY MTG.	A3	159943	MOLDING-ASM-12 POSITION	77	38368	SCREW-PIVOT
10	9092	LOCKWASHER-MTG.	A4	207793	BAR ASM-TOGGLE	78	131713	WASHER
13	11598	NUT-RELAY MTG.	A5	302090	SCREW-TERMINAL BLOCK MTG.	79	311481	COVER-RC MTG. BLOCK
14	22478	WASHER-MTG.	A6	326268	BLOCK ASM-RC MTG.	82	336664	PIVOT
15	37073	LOCKWASHER	A7	336572	CHASSIS ASM-ELECTRONIC	83	336741	SCREW-RELAY GATE
19	38566	SCREW-TERMINAL BLOCK MTG.	60	38566	SCREW-TERMINAL BLOCK MTG.	84	369207	LABEL-VOLTAGE
20	52998	SCREW-MTG.	62	52523	SCREW-TERMINAL BLOCK MTG.	85	1095160	CLIP-RELAY GATE LOCK SCREW RETAINING
21	120943	JUMPER-BRASS	63	288385	INSULATOR-TERMINAL BLOCK	86	209341	COVER-RELAY SAFETY
23	133494	COLLAR	64	302131	INSULATOR-TERMINAL BLOCK	87	311907	RELAY-MOTOR START (115V)
24	159944	CLIP-4 POSITION TOP	65	336466	PLATE-TUBE CHASSIS MTG.	88	189939	RELAY-MOTOR START (230V)
25	135405	JUMPER-CLIP (BRASS)	A7A	317520	SOCKET ASM-TUBE	89	55726	SCREW-RELAY MTG
27	159945	CLIP-6 POSITION TOP	A7B	302090	BLOCK ASM-TERMINAL (4 USED)	90	284424	CLIP-12 POS BOTTOM
28	159946	CLIP-12 POSITION TOP	A7C	288383	BLOCK ASM-TERMINAL (1 USED)	91	308704	CLIP-4 POS BOTTOM
29	198363	SCREW-MTG.	67	358	SCREW			
32	205329	JUMPER-BRASS (5/32")	68	338866	WASHER			
33	205330	JUMPER-BRASS (3/16")	69	46219	NUT			
34	205331	JUMPER-BRASS (1/8")	70	288384	BLOCK-TERMINAL			



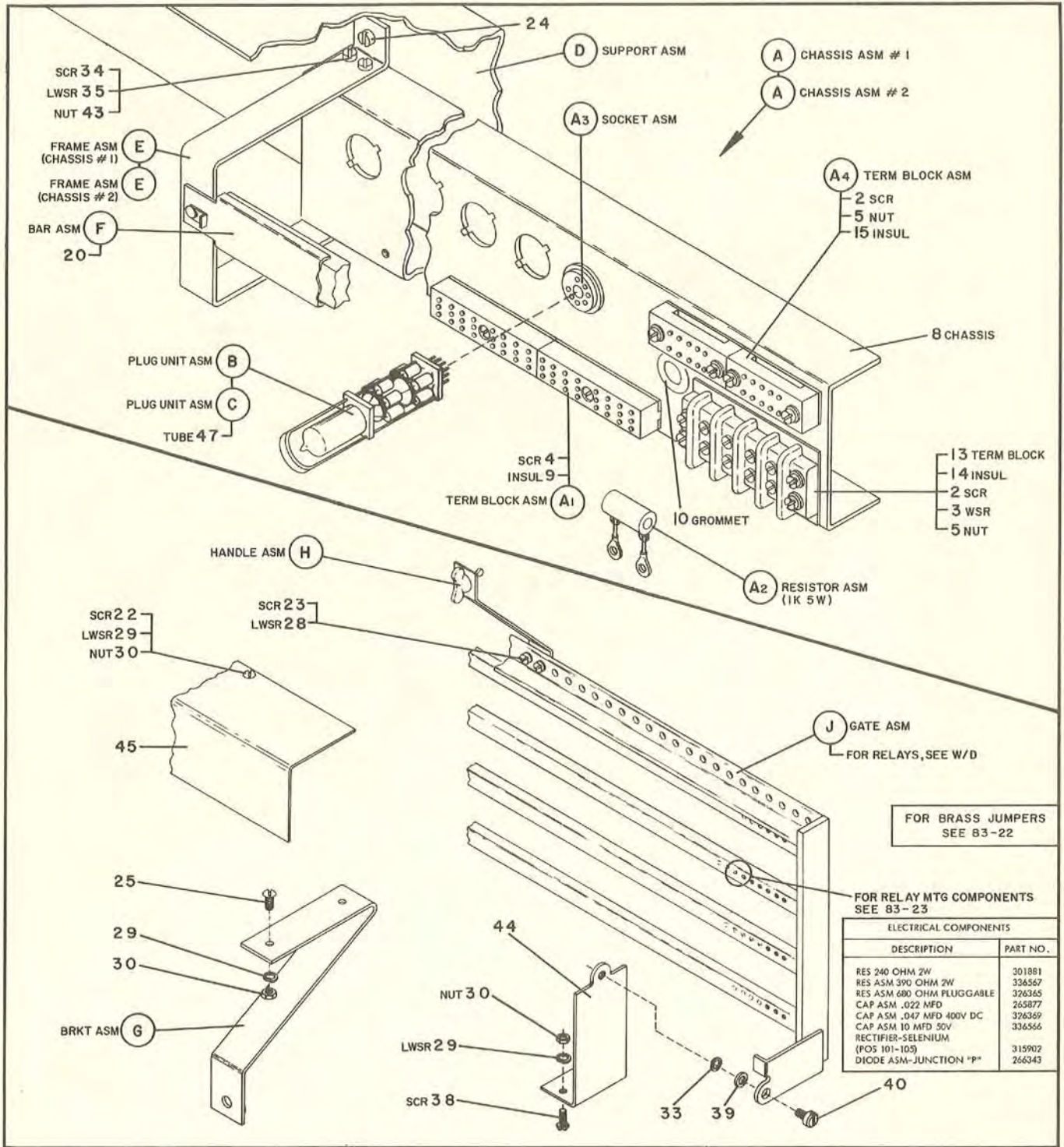
COMPLETE POWER SUPPLY ASMS	
Description	Part No.
DC	311615
25 Cycle	311614
30 Cycle	311613
60 Cycle	311612
Special-Minus 48V (Used with Card Counter Unit)	274091
Special- (Used with MCS, ZE and LF)	274092

* When the Card Counter Unit is installed with MCS, ZE and LF, Delete 274091 and Furnish Pwr Supply 274092.

A	52445	BLOCK ASM-BINDER POST (3 POS)	10	504	SCREW-POWER SUPPLY MTG	49	311816	REGULATOR-25 CPS
B	266718	POTENTIOMETER ASM	12	845	SCREW-TRANSFORMER MTG	50	311817	REGULATOR-50 CPS
C	311795	RESISTOR ASM-82K .5W	13	2899	NUT-TERMINAL BLOCK MTG	53	311818	REGULATOR-60 CPS
D	317721	RESISTOR ASM-1K 10W	14	9092	LOCKWASHER-MTG	54	311848	BRACKET-CAPACITOR MTG
E	344842	BLOCK ASM-TRANSFORMER TERMINAL	15	11598	NUT-MTG	55	317150	POTENTIOMETER-10K 2W
2	344840	DECAL-TERM BLOCK VOLTAGE	17	11891	NUT-MTG	56	308476	CONVERTER-ROTARY (115V DC)
F	345905	CAPACITOR ASM-40 MFD	18	38350	SCREW-CAPACITOR MTG	57	314105	CONVERTER-ROTARY (230V DC)
G	345906	RESISTOR ASM-500 OHM 10W	19	30354	SCREW-TERMINAL BLOCK MTG	58	317485	BLOCK-TERMINAL (4 POS)
H	345908	RESISTOR ASM-10K 1W ("RND" CLIPS)	20	38376	SCREW-MTG	59	323842	BLOCK-TERMINAL
J	345909	RESISTOR ASM-390 OHM 1W	21	38688	SCREW-CONVERTER MTG	60	322280	STRIP-MARKER
K	345918	RESISTOR ASM-15K 1W	23	45690	WASHER-MTG (.438 OD)	61	336844	BRACKET-CONVERTER MTG
L	345907	RESISTOR ASM-10K 1W ("U" CLIPS)	24	60646	LOCKWASHER-TRANSFORMER MTG	63	336484	INSULATOR
			25	138748	LABEL-VOLTAGE LEVEL (500 TO 800 VOLTS)	65	336555	RECTIFIER
			26	101706	SCREW-POWER SUPPLY MTG	68	336583	COVER-BINDER POST
			27	138754	LABEL-LINE VOLTAGE PRESENT (W/MACH OFF)	69	336689	TRANSFORMER-POWER
			28	159866	BRACKET-CAPACITOR MTG	70	336788	CAPACITOR-1000 MFD
			29	104615	MOUNT-FUSE	73	336887	TRANSFORMER-POWER
			30	218704	CAPACITOR-2500 MFD	74	336823	LABEL-DANGER-HIGH VOLTAGE
			32	225617	RECTIFIER-SELENIUM (1.2 AMPS-BLACK)	78	363001	BOOT-CAPACITOR
			33	225886	COVER-TRANSFORMER TERM BLOCK	79	369208	LABEL-DANGEROUS VOLTAGES
			34	226417	CAPACITOR-1000 MFD	83	1071644	WASHER-POWER SUPPLY MTG
			38	257188	NUT-BINDER POST	84	6935	LOCKWASHER-CONVERTER & BRKT MTG
			39	257189	NUT-TRANSFORMER MTG	85	3834	SCREW-FUSE MOUNT
			40	263412	TRANSFORMER-FILAMENT (USED ON 311615 P.S.)	87	22066	WASHER-FUSE MOUNT & TERM BLOCK MTG
			42	288545	RECTIFIER-SELENIUM (1 AMP-RED)	88	36109	NUT-CONVERTER & BRACKET MTG
			43	311812	BRACKET-CAPACITOR MTG			
			44	311813	CAPACITOR-3 MFD			
			45	311814	CAPACITOR-2.1 MFD			
			48	311815	CAPACITOR-1.75 MFD			

PARTS NOT INCLUDED WITH ASSEMBLIES

9 232 SCREW-MTG



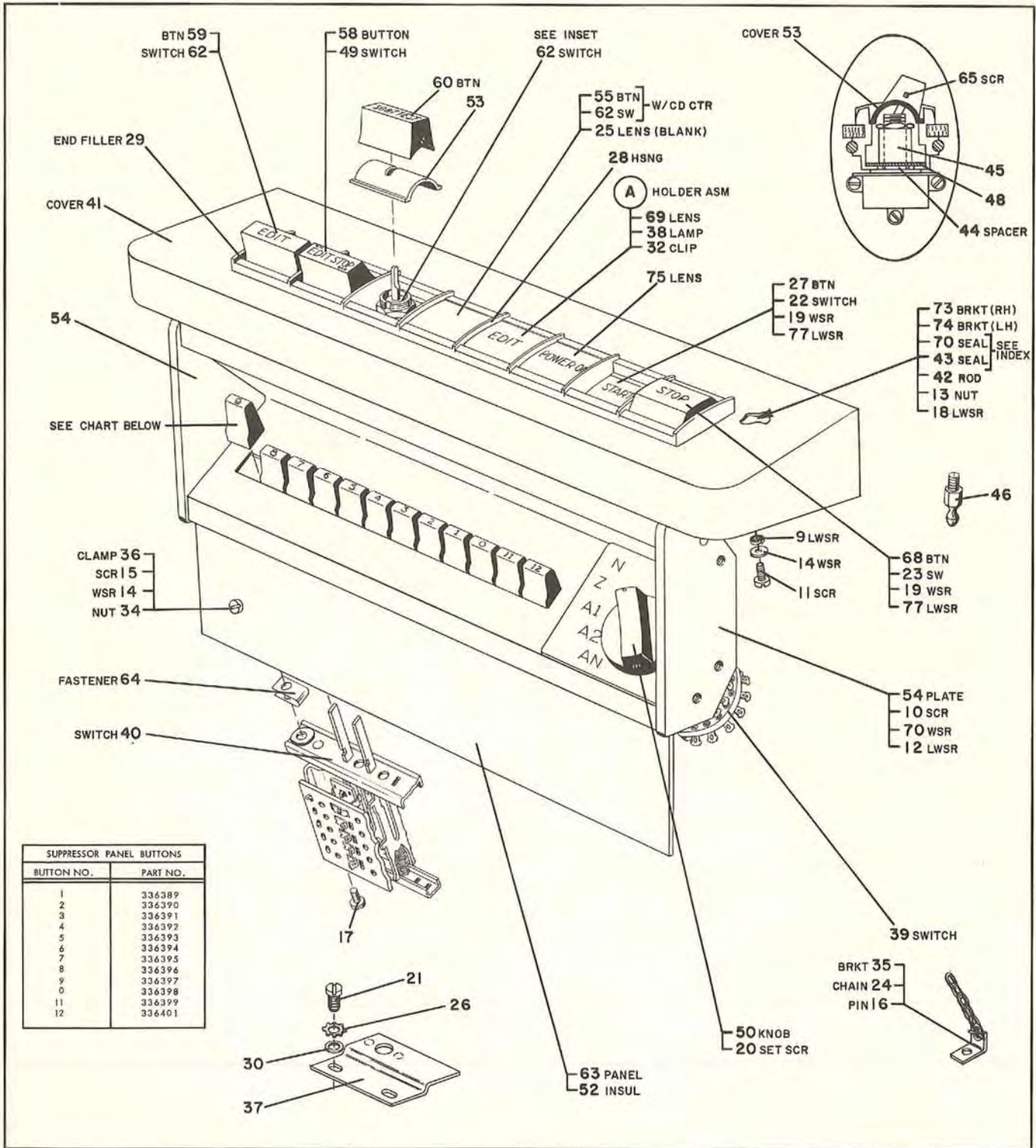
FOR BRASS JUMPERS
SEE 83-22

FOR RELAY MTG COMPONENTS
SEE 83-23

ELECTRICAL COMPONENTS		
DESCRIPTION	PART NO.	
RES 240 OHM 2W	301881	
RES ASM 390 OHM 2W	336567	
RES ASM 680 OHM PLUGGABLE	326365	
CAP ASM .022 MFD	265877	
CAP ASM .047 MFD 400V DC	326369	
CAP ASM 10 MFD 50V	336566	
RECTIFIER-SELENIUM (POS 101-105)	315902	
DIODE ASM-JUNCTION "P"	266343	

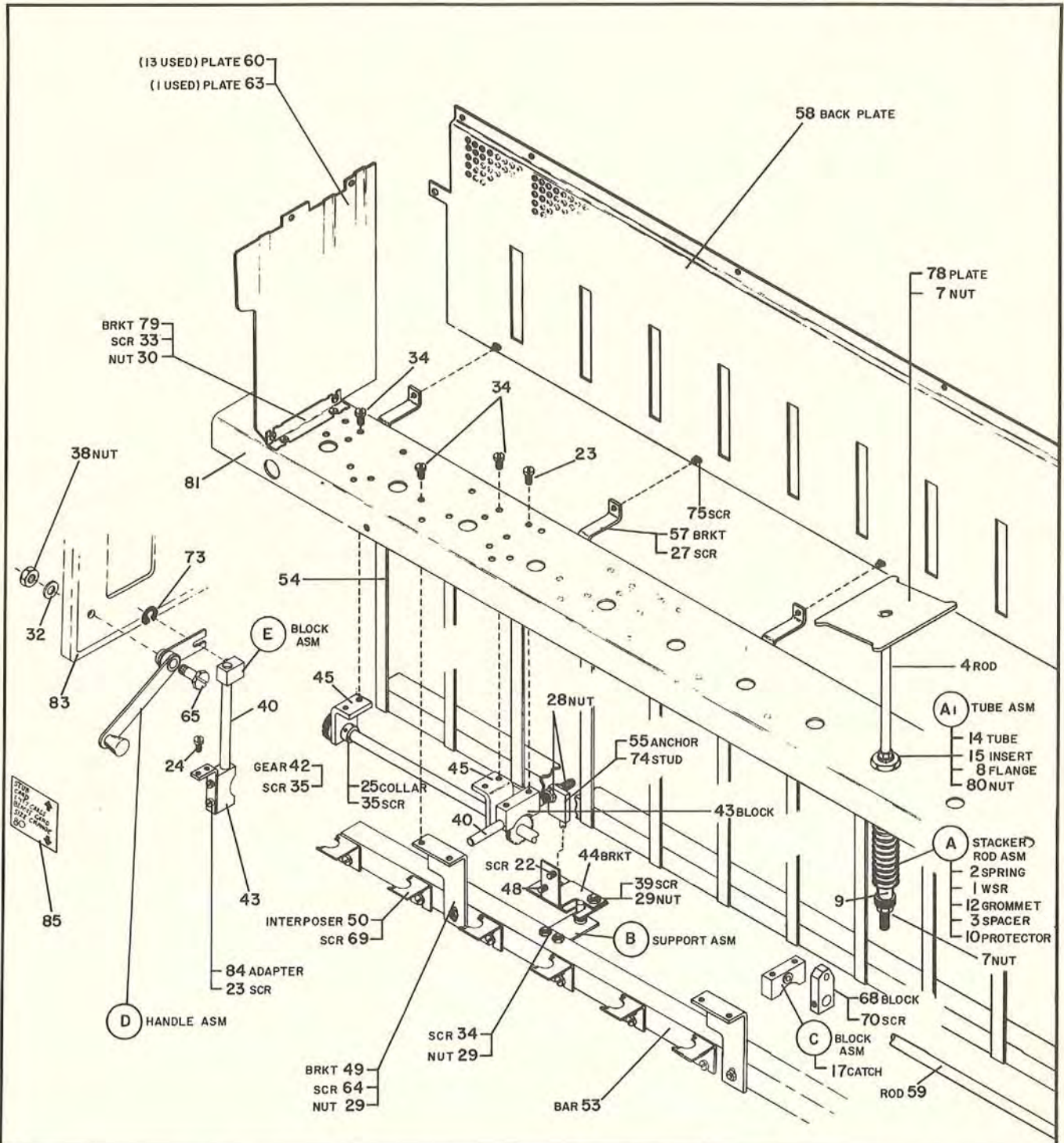
A	265246	CHASSIS ASM-MCS NUMBER ONE	D	265250	SUPPORT ASM-CHASSIS MTG	25	598	SCREW-BRACKET ASM MTG
A	265247	CHASSIS ASM-MCS NUMBER TWO	E	265253	FRAME ASM-TUBE CHASSIS MTG (CHASSIS #2)	28	6318	LOCKWASHER-HANDLE ASM MTG
2	5644	SCREW-TERM BLOCK MTG	E	266602	FRAME ASM-TUBE CHASSIS MTG (CHASSIS #1)	29	9092	LOCKWASHER-MTG
3	22066	WASHER-TERM BLOCK MTG	F	265256	BAR ASM-UNIT RETAINING	30	11598	NUT-BRACKET & SHIELD MTG
4	38566	SCREW-TERM BLOCK MTG	F	20 222377	SEAL	33	37073	LOCKWASHER-GATE ASM MTG
5	257187	NUT-TERM BLOCK MTG	G	265142	BRACKET ASM-RELAY GATE SUPPORT	34	38351	SCREW-TUBE CHASSIS MTG
8	265251	CHASSIS-TUBE	H	265144	HANDLE ASM-RELAY GATE	35	62031	LOCKWASHER-TUBE CHASSIS MTG
9	302131	INSULATOR-TERMINAL BLOCK	J	265216	GATE ASM-SPECIAL FEATURES RELAY	38	101706	SCREW-BRACKET MTG
10	300565	GROMMET-CABLE				39	150769	SPACER-RELAY GATE ASM MTG
13	317485	BLOCK-TERMINAL				40	228220	SCREW-RELAY GATE ASM MTG
14	322280	INSULATOR-TERMINAL BLOCK				43	257187	NUT-CHASSIS ASM MTG
15	324463	INSULATOR-TERM BLOCK				44	265145	BRACKET-RELAY GATE MTG
A1	302090	BLOCK ASM-TERMINAL				45	265671	SHIELD-DUST
A2	315891	RESISTOR ASM-1K 5W				47	300704	TUBE-2021
A3	317520	SOCKET ASM-9 PIN						
A4	324458	BLOCK ASM-TERMINAL						
B	265245	PLUGGABLE UNIT ASM						
C	336616	PLUGGABLE UNIT ASM-TH-15						
			PARTS NOT INCLUDED WITH ASSEMBLIES					
	22	273	SCREW-DUST SHIELD					
	23	337	SCREW-HANDLE ASM MTG					
	24	443	SCREW-TUBE CHASSIS FRAME ASM MTG					

Switch Panels



SUPPRESSOR PANEL BUTTONS	
BUTTON NO.	PART NO.
1	336389
2	336390
3	336391
4	336392
5	336393
6	336394
7	336395
8	336396
9	336397
0	336398
11	336399
12	336401

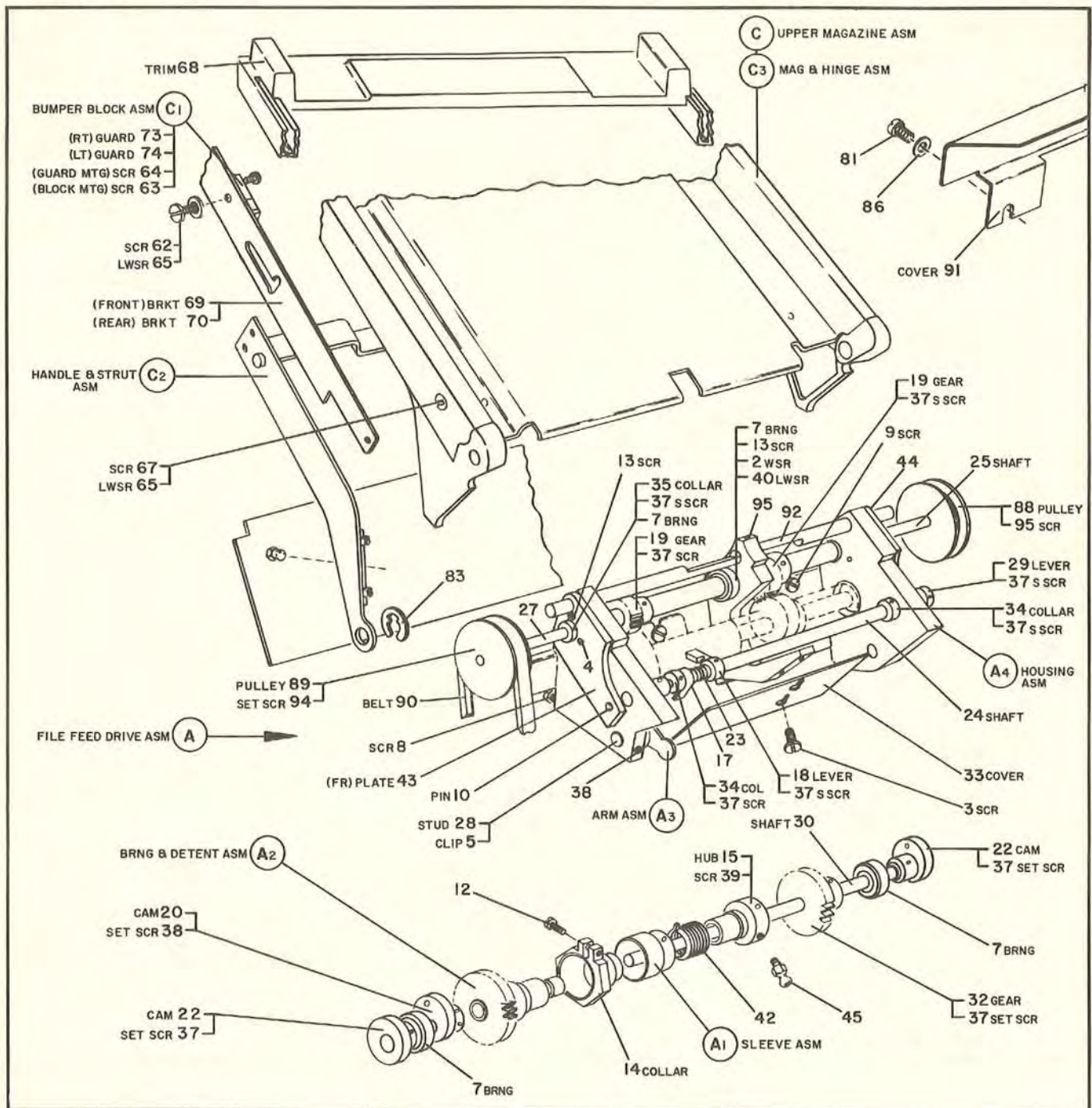
A	437459	HOLDER ASM-SIGNAL LIGHT	26	56722	LOCKWASHER-BRACKET MTG.	49	336455	SWITCH-EDIT STOP
		PARTS NOT INCLUDED WITH ASSEMBLIES	27	233841	BUTTON-START	50	336467	KNOB-ROTARY SWITCH
9	6318	LOCKWASHER-PANEL MTG.	28	233880	HOUSING-OPERATORS SWITCH	52	336468	INSULATION-SUPPRESSOR PANEL
10	1942	SCREW-SUPPRESSOR PANEL	29	233883	FILLER-END (UNITIZED SWITCH)	53	336469	COVER-TOGGLE SWITCH
11	25627	SCREW-PANEL MTG.	30	45677	WASHER-BRACKET MTG.	54	336470	PLATE-PANEL SIDE SUPPORT
12	6364	LOCKWASHER-SUPPRESSOR PIN	32	233888	CLIP-SIGNAL LIGHT SPRING	55	336476	BUTTON-CARD COUNT
13	11598	NUT-OPERATORS SWITCH	33	253267	SWITCH-	58	336477	BUTTON-EDIT STOP
14	22478	WASHER-CABLE CLAMP MTG.	34	257189	NUT-CABLE CLAMP	59	336478	BUTTON-EDIT
15	34512	SCREW-CABLE CLAMP	35	267533	BRACKET-CHAIN RETAINING	60	336479	BUTTON-SORT/TEST
16	33504	PIN-COTTER	36	301437	CLAMP-CABLE	62	336480	SWITCH-TOGGLE
17	38574	SCREW-SUPPRESSOR PANEL ARM	37	327229	BRACKET-OPERATORS PANEL CATCH	63	336490	PANEL-SUPPRESSOR
18	56121	LOCKWASHER-	38	308346	LAMP-OPERATORS SWITCH	64	336628	FASTENER-SUPPRESSOR SWITCH
19	104654	WASHER-SWITCH MTG.	39	336340	SWITCH-SUPPRESSOR PANEL ROTARY	65	336793	SCREW-BUTTON RETAINING SET
20	135341	SCREW-KNOB RETAINING SET	40	336352	SWITCH-SUPPRESS SORT	68	336810	BUTTON-STOP
21	38235	SCREW-BRACKET MTG.	41	327230	COVER-OPERATING SWITCH	69	336811	LENS-EDIT
22	215679	SWITCH-START	42	336424	ROD-OPERATORS SWITCH PANEL	70	336821	SEAL-UNITIZED SWITCH (1 3/8" WIDE OPENING)
23	215680	SWITCH-	43	336425	SEAL-OPERATORS SWITCH (1 1/16" WIDE OPENING)	73	344879	BRACKET-OPERATORS SWITCH (RH)
24	216929	CHAIN-SUPPRESSOR PANEL	44	336441	SPACER-TOGGLE SWITCH	74	344880	BRACKET-OPERATORS SWITCH (LH)
25	233829	LENS-BLANK WHITE	45	336442	SLEEVE-TOGGLE SWITCH	75	438768	LENS-POWER ON
			46	336444	STUD-LOCKING	77	516919	LOCKWASHER
			48	336447	PLATE-TOGGLE SWITCH	78	1090622	WASHER



<p>A</p> <p>1 197485 ROD ASM-STACKER</p> <p>2 3550 WASHER</p> <p>3 196891 SPRING-STACKER</p> <p>4 197486 SPACER-STACKER ASM</p> <p>7 197487 ROD-STACKER</p> <p>7 336766 NUT-STACKER ROD & ANCHOR LOCK</p> <p>8 336802 FLANGE-SPRING ANCHOR</p> <p>9 336803 ANCHOR-SPRING</p> <p>10 600893 PROTECTOR-WIRE END</p> <p>12 801772 GROMMET-STRIKER ROD ASM</p> <p>A1 336747 TUBE ASM-SPRING ANCHOR</p> <p>14 336240 TUBE-SPRING ANCHOR</p> <p>15 336748 INSERT-SPRING ANCHOR TUBE</p> <p>B</p> <p>17 203687 BLOCK ASM-DETTENT</p> <p>603361 CATCH-DETTENT</p> <p>D</p> <p>754318 HANDLE ASM-SHIFTING LEVER</p> <p>E</p> <p>754322 BLOCK ASM-HANDLE PIVOT</p>	<p>PARTS NOT INCLUDED WITH ASSEMBLIES</p> <p>22 99 SCREW-PLATE BRACKET MTG</p> <p>23 232 SCREW-RETAINING SET</p> <p>24 443 SCREW-SHIFTING MECH ADAPTER MTG</p> <p>25 555 COLLAR-CONTROL ROD</p> <p>27 2300 SCREW-BRACKET MTG</p> <p>28 4564 NUT-LONG ANCHOR MTG</p> <p>29 11598 NUT-MTG</p> <p>30 23931 NUT-BRACKET & PLATE MTG</p> <p>32 45690 WASHER-SHIFTING HANDLE PIVOT STUD</p> <p>33 58207 SCREW-BRACKET & PLATE MTG</p> <p>34 120211 SCREW-MTG</p> <p>35 123780 SCREW-RETAINING SET</p> <p>38 125930 NUT-SHIFTING HANDLE PIVOT STUD MTG</p> <p>39 140562 SCREW-SHIFTING PLATE MTG</p> <p>40 196893 SLIDE-POCKET SHIFTING</p> <p>42 196894 GEAR-BACKSTOP SHIFTING</p> <p>43 196895 BLOCK-BACKSTOP SLIDE</p> <p>44 196896 BRACKET-SHIFTING PLATE PIVOT SUPPORT</p> <p>45 196898 BEARING-CONTROL ROD</p> <p>48 196899 PLATE-SHIFTING</p> <p>49 196903 BRACKET-INTERPOSER MTG</p> <p>50 196904 INTERPOSER-SPRING</p>	<p>53 196905 BAR-INTERPOSER MTG</p> <p>54 196954 BACKSTOP-CARD</p> <p>55 196961 ANCHOR-LONG</p> <p>57 196962 BRACKET-REAR PLATE MTG</p> <p>58 197484 PLATE-POCKET BACK</p> <p>59 197488 ROD-CONTROL</p> <p>60 203107 PLATE-CARD POCKET SIDE (13 USED)</p> <p>63 203108 PLATE-REJECT SIDE POCKET (1 USED)</p> <p>64 203490 SCREW-SHIFTING MECHANISM DETENT</p> <p>65 203563 STUD-SHIFTING HANDLE PIVOT</p> <p>68 203686 BLOCK-SHIFTING MECHANISM DETENT</p> <p>69 236849 SCREW-INTERPOSER BRACKET MTG</p> <p>70 257973 SCREW-RETAINING SET</p> <p>73 257982 CLIP-SHIFTING HANDLE PIVOT STUD</p> <p>74 246182 STUD-LONG ANCHOR</p> <p>75 311642 SCREW-POCKET BACK PLATE MTG</p> <p>78 336216 PLATE-CARD STACKER MTG</p> <p>79 336339 BRACKET-PLATE MTG</p> <p>80 336765 NUT-ROD ASM MTG</p> <p>81 754317 CHANNEL-BASE</p> <p>83 754325 FRAME-LEFT END</p> <p>84 754326 ADAPTER-SHIFT MECH INPUT</p> <p>85 754336 PLATE-SHIFTING LEVER INSTRUCTIONS</p>
---	--	--



File Feed View # 1



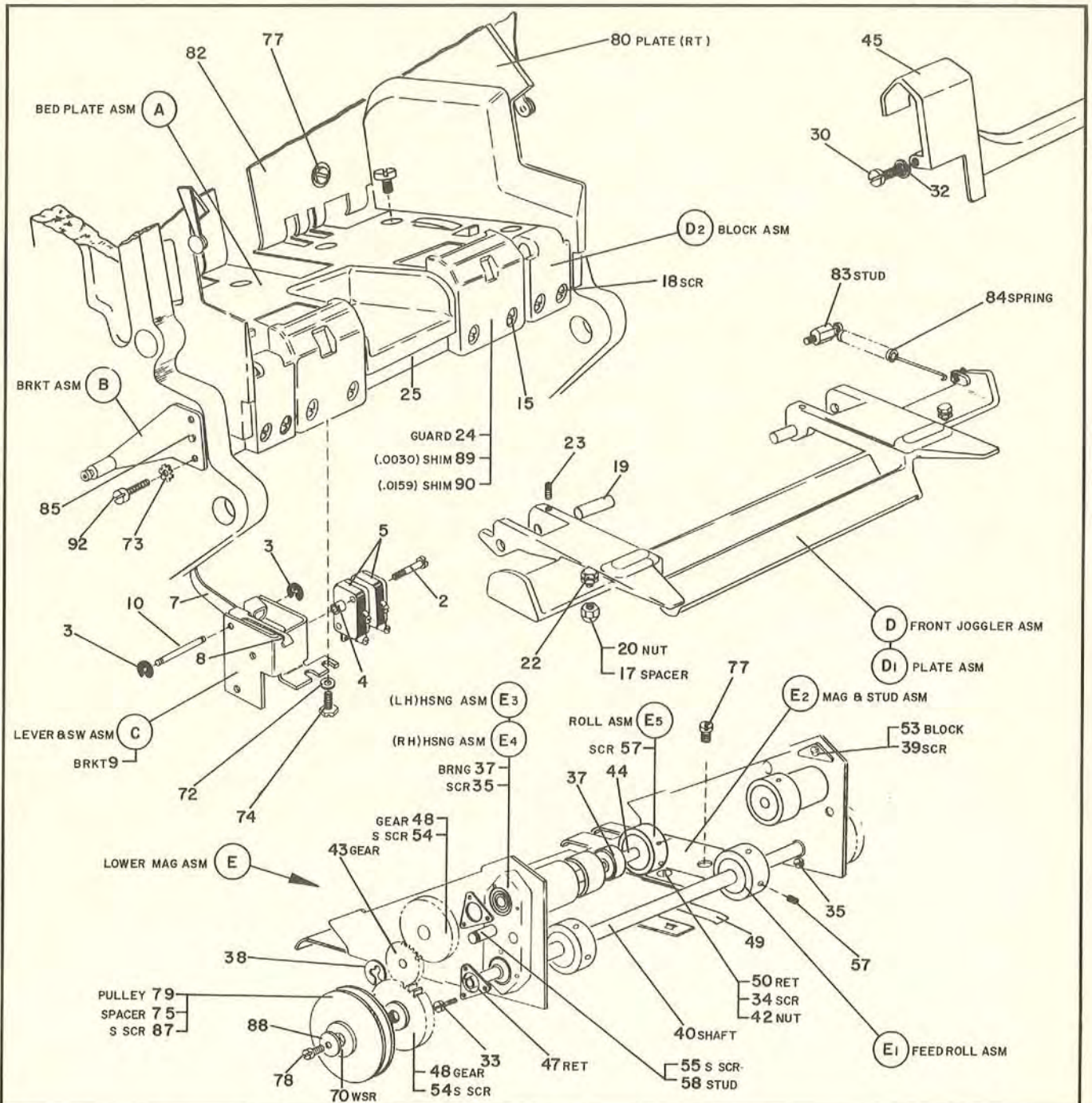
A	
2	327607 DRIVE ASM-FILE FEED
3	10610 WASHER-BEARING RETAINING
4	38352 SCREW-DRIVE COVER MTG
5	38434 SCREW-MTG
7	60488 CLIP-ARM ASM SPRING
8	110129 BEARING-DRIVE SHAFT
9	184758 SCREW-PLATE MTG
10	186759 SCREW-CLUTCH MTG
12	216837 PIN-TAPER
13	228348 SCREW-CLUTCH COLLAR MTG
14	236550 SCREW
15	309747 COLLAR-CLUTCH
17	327562 HUB-CLUTCH INPUT
18	327563 LEVER-CLUTCH DETENT
19	327564 LEVER-CLUTCH
20	327575 GEAR-INPUT DRIVE
22	327581 CAM-SIDE JOGGLE
23	327582 CAM-FRONT JOGGLE
24	327584 SPRING-CLUTCH DETENT
25	327594 SHAFT-CLUTCH DETENT PIVOT
27	327595 SHAFT-CONT DRIVE INPUT
28	327596 SHAFT-CLUTCH OUTPUT
29	327599 STUD-IDLER GEAR PIVOT
30	327600 LEVER-CLUTCH OPERATING

30	327606 SHAFT-MAIN DRIVE
32	327631 GEAR-OUTPUT DRIVE
33	327647 COVER-DRIVE GEAR
34	327686 COLLAR-PIVOT SHAFT
35	327863 COLLAR-INPUT & OUTPUT SHAFT
37	328815 SCREW-SET
38	328816 SCREW-SET
39	328817 SCREW-CLUTCH INPUT HUB SET
40	338169 LOCKWASHER-BEARING MTG
42	340728 SPRING-CLUTCH
43	347594 PLATE-FRONT SUPPORT
44	347595 PLATE-REAR SUPPORT
45	438145 FITTING-GREASE
A1	313381 SLEEVE ASM-CLUTCH
A2	327568 DETENT ASM-BEARING AND
A3	327590 ARM ASM-CAM FOLLOWER
A4	327642 HOUSING ASM-DRIVE
C	602877 MAGAZINE ASM-UPPER
62	1413 SCREW-MTG
63	38454 SLEEVE-MAGAZINE BUMPER BLOCK
64	53726 SCREW-GUARD MTG
65	60646 LOCKWASHER-MTG
67	306063 SCREW-MTG

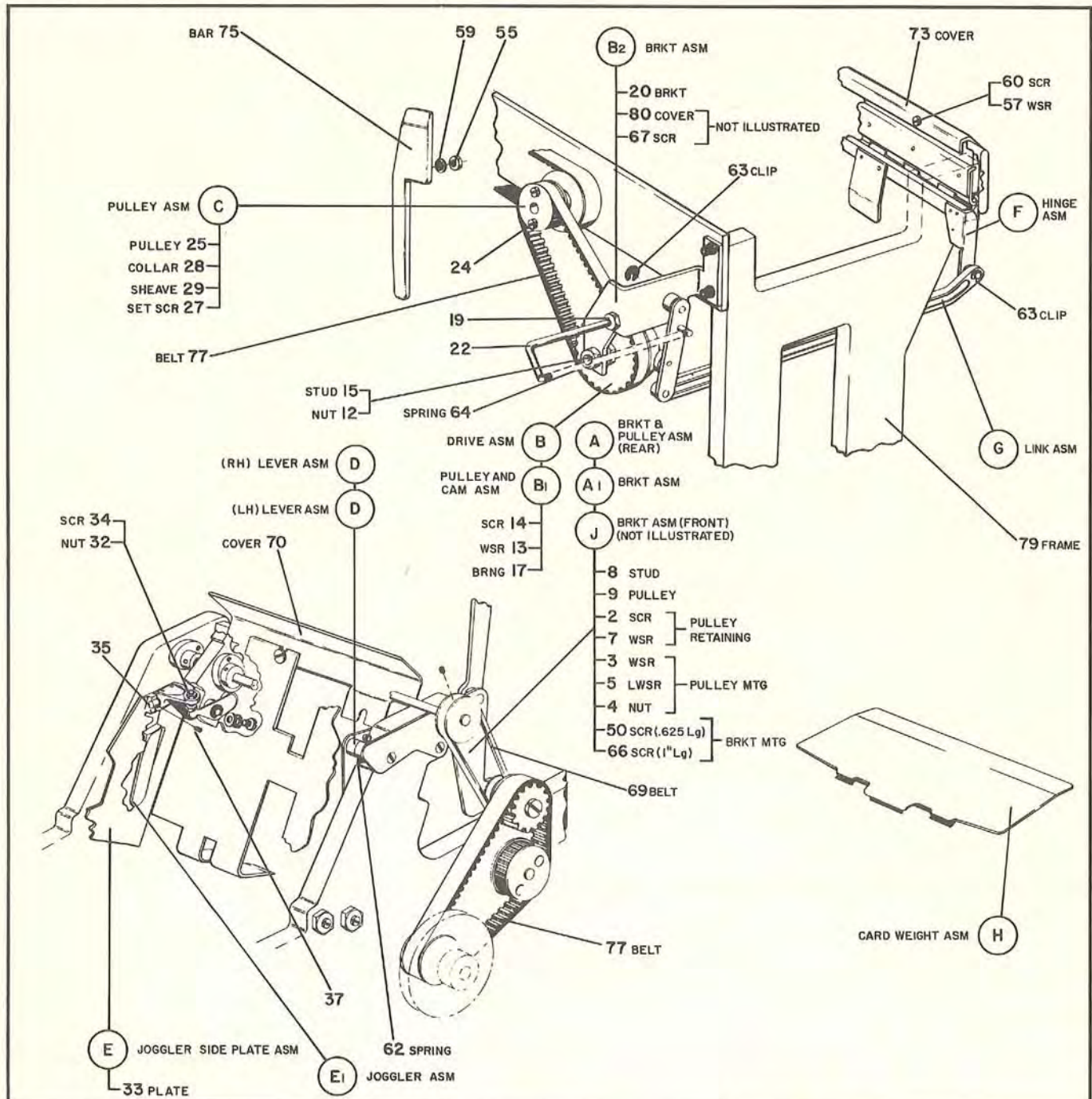
68	327648 TRIM-MAGAZINE
69	327869 BRACKET-SUPPORT LINK STOP FRONT
70	327883 BRACKET-SUPPORT LINK STOP REAR
73	603207 GUARD-TRAY HANDLE RIGHT
74	603208 GUARD-TRAY HANDLE LEFT
C1	327868 BUMPER BLOCK ASM
C2	602889 STRUT ASM-HANDLE AND
C3	602912 MAGAZINE AND HINGE ASM

PARTS NOT INCLUDED WITH ASSEMBLIES

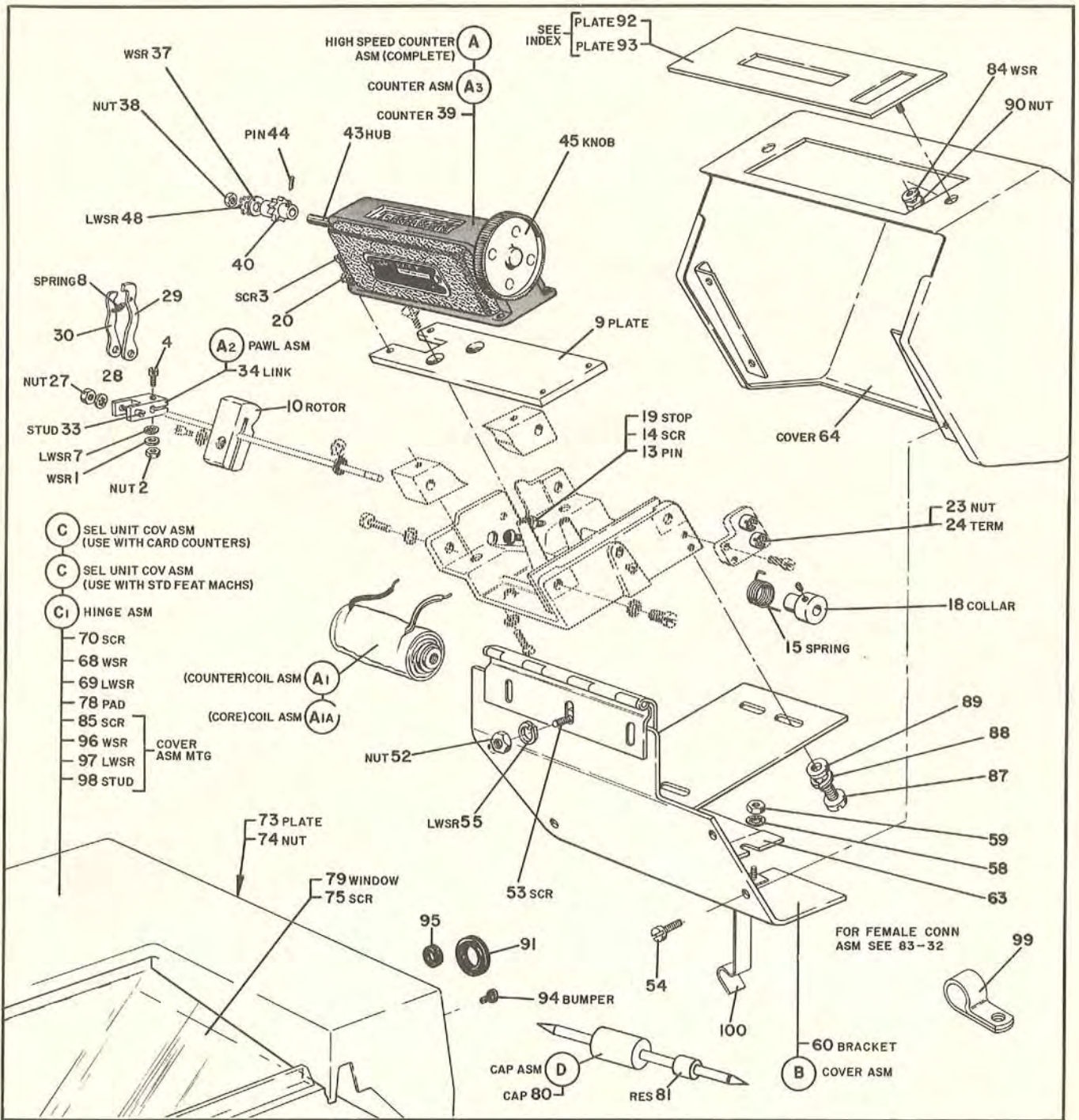
81	38350 SCREW-COVER MTG
83	60488 CLIP-UPPER MAGAZINE ASM RETAINING
86	257986 WASHER-COVER MTG
88	327553 PULLEY-CLUTCH INPUT
89	327554 PULLEY-CLUTCH OUTPUT
90	327613 BELT-DRIVE "V"
91	327618 COVER-GUARD AND REAR
92	327670 SHAFT-UPPER MAGAZINE PIVOT
94	328816 SCREW-CLUTCH OUTPUT PULLEY SET
95	328817 SCREW-SET



A	327571	PLATE ASM-HOPPER BED	E	602427	MAGAZINE ASM-LOWER	E4	327645	HOUSING ASM-FEED ROLL (R.H.)	
B	327610	BRACKET ASM-FRONT JOGGLER	30	2031	SCREW-COVER MTG	E5	327677	ROLL ASM-FEED	
C	327887	SWITCH ASM-LEVER & HOPPER	32	6318	LOCKWASHER-COVER MTG	PARTS NOT INCLUDED WITH ASSEMBLIES			
	2	38269	SCREW	33	38262				SCREW-BEARING RETAINER MTG
	3	147297	CLIP	34	38442				SCREW-GUIDE MTG
	4	186083	SPACER	35	81693				SCREW-FEED ROLL HOUSING MTG
	5	228093	SWITCH	37	110129				BEARING-DRIVE SHAFT
	7	327664	LEVER	38	192049				CLIP-IDLER GEAR RETAINING
	8	327665	LEVER	39	322550				SCREW-COVER BLOCK MTG
	9	327666	BRACKET	40	327545				SHAFT-FEED ROLL DRIVE (LONG)
	10	327667	SHAFT	42	327583				NUT-THROAT GUIDE MTG
	D	602426	JOGGLER ASM-FRONT	43	327585				GEAR-IDLER
15		232	SCREW-GUARD MTG	44	327598	SHAFT-FEED ROLL (SHORT)	72	22478	WASHER-HOPPER SWITCH BRACKET MTG
17		24511	SPACER-JOGGLER ADJUSTING	45	327621	COVER-CARD FEED ROLL	73	55901	LOCKWASHER-PLATE ASM MTG
18		234321	SCREW-PIVOT BLOCK MTG	47	327627	RETAINER-DRIVE SHAFT BEARING	74	130562	SCREW-HOPPER SWITCH BRACKET MTG
19		327605	STUD-FRONT JOGGLER PIVOT	48	327635	GEAR-FEED ROLL DRIVE	75	131306	SPACER-FEED ROLL PULLEY
20		327695	NUT-JOGGLER ADJUSTING SCREW	49	327715	GUIDE-THROAT	77	225859	SCREW-MTG
22		327871	SCREW-JOGGLER ADJUSTING	50	327716	RETAINER-THROAT GUIDE	78	234550	SCREW-PULLEY MTG
23		328833	SCREW-FRONT JOGGLER PIVOT STUD SET	53	327882	BLOCK-FEED ROLL COVER	79	327555	PULLEY-FEED ROLL
24		369383	GUARD-PICKER KNIFE	54	328815	SCREW-DRIVE GEAR SET	80	327569	PLATE-RIGHT SIDE
25		602203	BAR-CARD POST SUPPORT	55	328816	SCREW-IDLER GEAR SET	82	327572	PLATE-HOPPER BACK
D1	327694	PLATE ASM-FRONT JOGGLER	57	328817	SCREW-FEED ROLL ASM SET	83	327614	STUD-JOGGLER SPRING	
	D2	327697	BLOCK ASM-FRONT JOGGLER PIVOT	58	602433	STUD-IDLER GEAR PIVOT	84	327624	SPRING-FRONT JOGGLER
E1	327548	ROLL ASM-FEED	E3	327644	HOUSING ASM-FEED ROLL (L.H.)	85	327862	PIN-LOCATING	
	E2	327612		MAGAZINE & STUD ASM	87	328817	SCREW-SET		
	E3	327644		HOUSING ASM-FEED ROLL (L.H.)	88	338169	LOCKWASHER-FEED ROLL PULLEY MTG		
E2	327645	HOUSING ASM-FEED ROLL (R.H.)	E5	327677	ROLL ASM-FEED	89	369384	SHIM-CARD GUIDE ADJ (.0030 THICK)	
	327677	ROLL ASM-FEED		90	369385	SHIM-CARD GUIDE ADJ (.0159 THICK)			
	10610	WASHER-FEED ROLL PULLEY		92	438586	SCREW-BRACKET MTG			
	22478	WASHER-HOPPER SWITCH BRACKET MTG							
	55901	LOCKWASHER-PLATE ASM MTG							
	130562	SCREW-HOPPER SWITCH BRACKET MTG							
	131306	SPACER-FEED ROLL PULLEY							
	225859	SCREW-MTG							
	234550	SCREW-PULLEY MTG							
	327555	PULLEY-FEED ROLL							

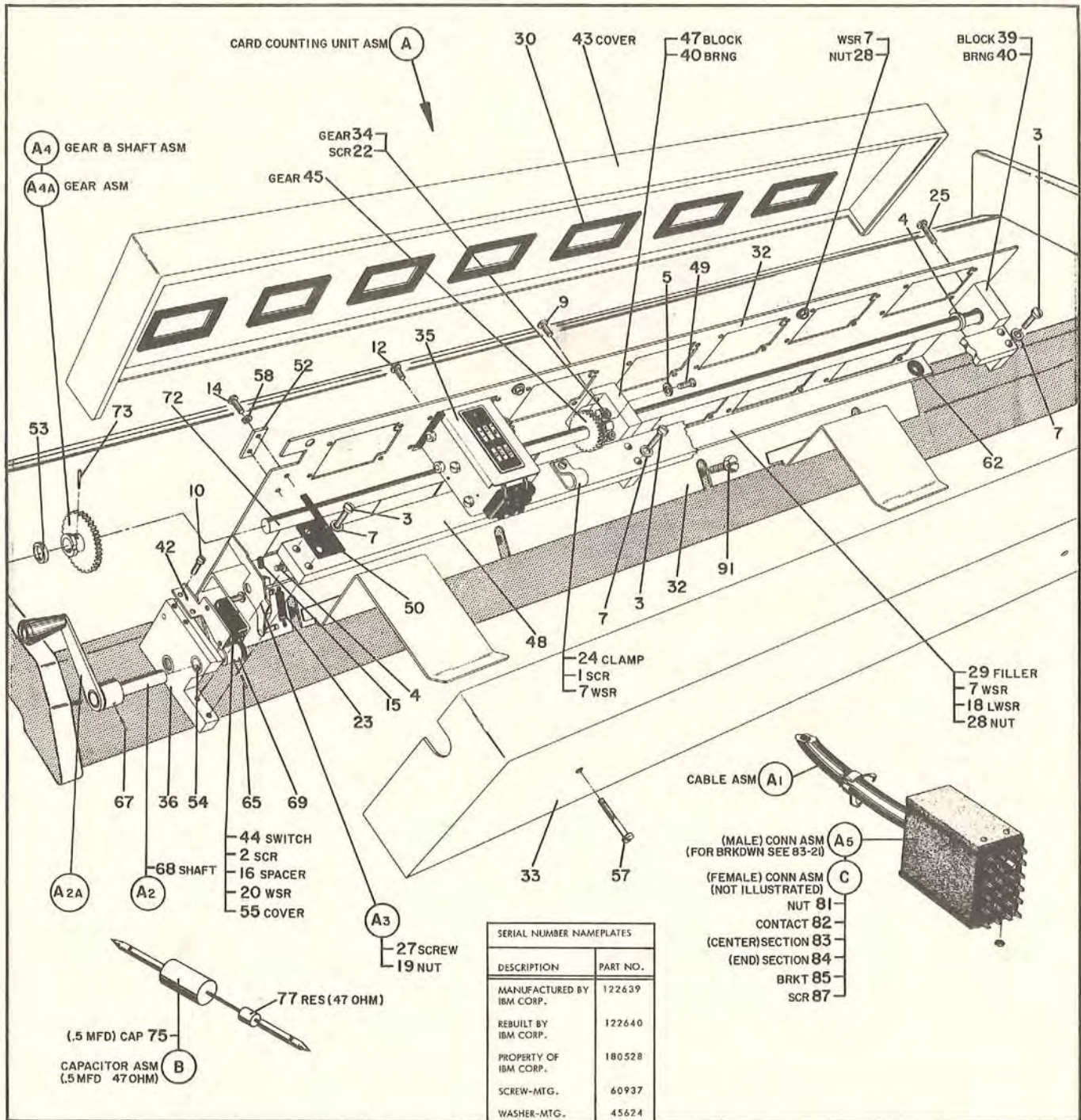


A	267037	BRACKET & PULLEY ASM-FILE FEED DRIVE	25	327650	PULLEY-DRIVE	PARTS NOT INCLUDED WITH ASSEMBLIES	
	2	443	27	328816	SCREW-PULLEY MTG SET	50	2179
	3	3530	28	336254	COLLAR-PULLEY	55	11598
	4	3960	29	336255	SHEAVE-PULLEY	57	22478
	5	6935				59	56121
	7	45690	D	327551	LEVER ASM-JOGGLER (R.H.)	60	58207
	8	327641	D	327552	LEVER ASM-JOGGLER (L.H.)	62	58851
	8	327641	E	216329	PLATE ASM-JOGGLER SIDE	63	60489
	9	327703		32	257189	64	79081
	9	327638		33	327557	66	109317
A1				34	327580	67	236849
				35	327619	69	327613
B	267031	DRIVE ASM-POCKET JOGGLER		37	328833	70	327618
	12	3960		E1	216328	73	327626
	13	23141				75	327663
	13	23141		F	327616	77	327678
	14	130434		G	327680	79	336190
	15	327692		H	602334	80	364303
	15	327692					
	17	437387		J	327593		
B1	327691	PULLEY ASM-CAM AND					
	327707	BRACKET ASM-POCKET JOGGLER					
B2	19	11598					
	20	327655					
	22	327706					
C	24	267038					
		38359					



<p>A</p> <p>1 265000 COUNTER ASM-HIGH SPEED 2 22066 WASHER-PAWL ASM MTG 3 38051 NUT-MTG 4 38262 SCREW-COUNTER MTG 5 38353 SCREW-PAWL ASM MTG 7 56722 LOCKWASHER-MTG 8 225769 SPRING-PAWL 9 264989 PLATE-COUNTER MTG 10 264990 ROTOR-MAGNET 13 304660 PIN 14 304661 SCREW-STOP 15 308139 SPRING 18 308140 COLLAR 19 308174 STOP-BUMPER 20 338169 LOCKWASHER A1 262900 COIL-ASM-COUNTER 23 12936 NUT-TERMINAL 24 114773 TERMINAL-COIL ASM 263046 COIL ASM-CORE 264995 PAWL ASM A2 27 37913 NUT-PAWL ASM 28 150209 LOCKWASHER 29 264992 PAWL-COUNTER 30 264993 PAWL-COUNTER 33 264994 STUD-PAWL ASM 34 264997 LINK-PAWL ASM A3 268057 COUNTER ASM 37 22066 WASHER-RATCHET RETAINING 38 37913 NUT-RATCHET RETAINING</p>	<p>39 264988 COUNTER 40 264991 RATCHET-COUNTER DRIVE 43 264996 HUB 44 264998 PIN-ROLL 45 265048 KNOB-COUNTER RESET 48 338169 LOCKWASHER-RATCHET RETAINING</p> <p>B</p> <p>52 266077 COVER ASM-AUXILIARY CARD COUNTER 53 6503 NUT 54 34512 SCREW-HINGE MTG 55 58207 SCREW-COVER ASM MTG 58 60646 LOCKWASHER-MTG 58 62031 LOCKWASHER-PLATE MTG 59 257187 NUT-PLATE MTG 60 265035 BRACKET-COUNTER MTG 63 265060 PLATE-COUNTER FILLER 64 266051 COVER-AUXILIARY CARD COUNTER</p> <p>C</p> <p>311492 COVER ASM-SEL UNIT (USED W/CARD COUNTERS) 344924 COVER ASM-SEL UNIT (STD FEAT MACH) 68 4569 WASHER-HINGE MTG 69 56121 LOCKWASHER-HINGE MTG 70 101706 SCREW-FILLER MTG 73 196379 PLATE-FILLER 74 257187 NUT-FILLER PLATE MTG 75 322060 SCREW-WINDOW MTG 78 327233 PAD-SELECTOR UNIT COVER 79 336797 WINDOW-SELECTOR COVER ASM C1 344923 HINGE ASM-SELECTOR UNIT COVER ASM FOR BREAKDOWN SEE COVER VIEW 83-3</p>	<p>D</p> <p>80 265103 CAPACITOR ASM-.5 MFD 330 OHM 81 315959 CAPACITOR -.5 MFD 317428 RESISTOR - 330 OHM</p> <p>PARTS NOT INCLUDED WITH ASSEMBLIES</p> <p>83 11598 NUT-CABLE CLAMP 84 22478 WASHER-COVER PLATE 85 38688 SCREW-SEL UNIT COVER MTG 86 45690 WASHER-CABLE CLAMP 87 58207 SCREW-COUNTER UNIT MTG 88 60646 LOCKWASHER-CARD COUNTER UNIT MTG 89 102691 WASHER-COUNTER UNIT MTG 90 257187 NUT-COVER PLATE MTG 91 227379 GROMMET- 3/8" ID 92 266050 PLATE-COVER 93 266596 PLATE-COVER (USED WHEN 978 COUNTER UNIT IS INSTALLED W/O AUX COUNTER) 94 311486 BUMPER-HINGED COVER 95 317227 GROMMET- 3/16" ID 96 3550 WASHER-SEL UNIT COVER MTG 97 65756 LOCKWASHER-SEL UNIT COVER MTG 98 336444 STUD-SEL UNIT COVER MTG 99 313649 CLAMP-CABLE 100 265209 HINGE-CLAMP CONNECTOR</p>
--	--	---

Card Counter Unit

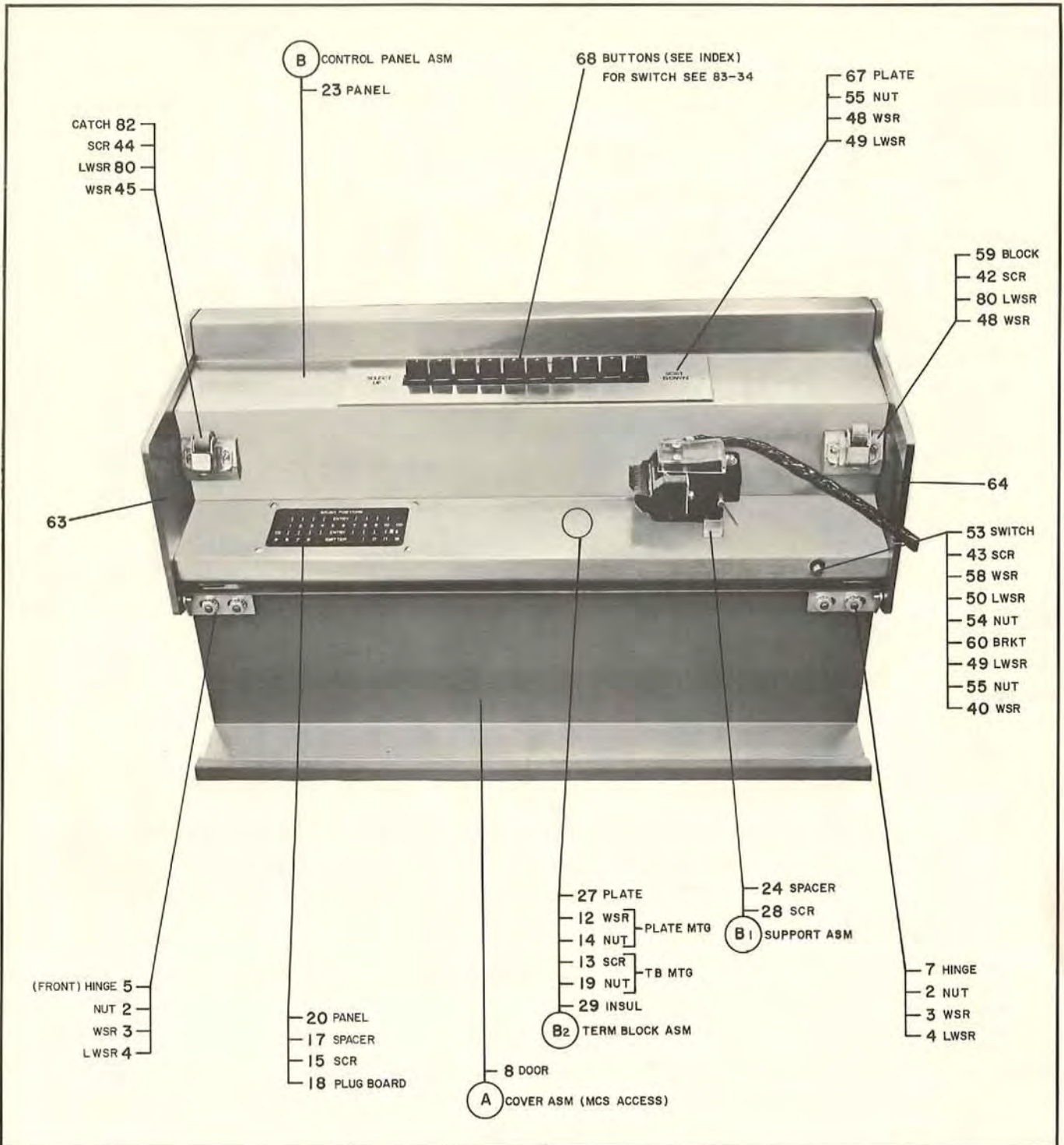


SERIAL NUMBER NAMEPLATES	
DESCRIPTION	PART NO.
MANUFACTURED BY IBM CORP.	122639
REBUILT BY IBM CORP.	122640
PROPERTY OF IBM CORP.	180528
SCREW-MTG.	60937
WASHER-MTG.	45624

A	265150	UNIT ASM-CARD COUNTING
1	455	SCREW-CABLE CLAMP MTG
2	577	SCREW-SWITCH MTG
3	2032	SCREW-TIE BAR MTG
4	7254	SPACER-COUNTER SHAFT
5	22066	WASHER-GEAR MTG
7	22478	WASHER-MTG
9	24752	SCREW-BLOCK MTG
10	38262	SCREW-SWITCH BRACKET MTG
12	38565	SCREW-MTG
13	45624	WASHER-PLATE MTG
14	53042	SCREW-MTG
15	53208	SCREW-SET
16	52393	SPACER-MICRO SWITCH MTG
17	60937	SCREW-NAMEPLATE MTG
18	62031	LOCKWASHER-FILLER MTG
19	72828	NUT-LEVER ASM PIVOT
20	81509	WASHER-SWITCH MTG
22	104613	SCREW-HUB CLAMP
23	151439	SPRING-EXTENSION
24	167338	CLAMP-CABLE
25	186759	SCREW-BEARING BLOCK MTG
27	191106	SCREW-LEVER ASM PIVOT
28	257187	NUT-FILLER & FRONT COVER MTG
29	265146	FILLER-CABLE MTG
30	265147	INSERT-PLASTIC
32	265152	PLATE-MTG

33	265153	COVER-REAR
34	265154	GEAR-COUNTER DRIVE SPUR
35	265155	COUNTER-4BY DC
36	265158	BLOCK-FRONT BEARING
39	265161	BLOCK-REAR BEARING
40	265162	BEARING
42	265163	BRACKET-SWITCH MTG
43	265166	COVER-FRONT
44	265169	SWITCH
45	265173	GEAR-COUNTER DRIVE SPUR
47	265174	BLOCK-CENTER BEARING
48	265178	BAR-COUNTER TIE
49	265195	SCREW-GEAR MTG
50	265197	SPRING-RETURN
52	265198	PLATE-STOP
53	265200	SPACER-COUNTER DRIVE SHAFT
54	265226	BUSHING-CRANK SHAFT
55	311395	COVER-RESET SWITCH
57	336031	SCREW-REAR COVER MTG
58	338169	LOCKWASHER-STOP PLATE MTG
58	265101	CABLE ASM-CARD COUNTER UNIT
A1	204362	GROMMET-CABLE
A2	265181	CRANK & GEAR ASM-COUNTER UNIT
65	23069	PIN-GEAR TAPER
67	28564	PIN-CRANK TAPER
68	265157	SHAFT-CRANK
69	265160	GEAR-SPUR

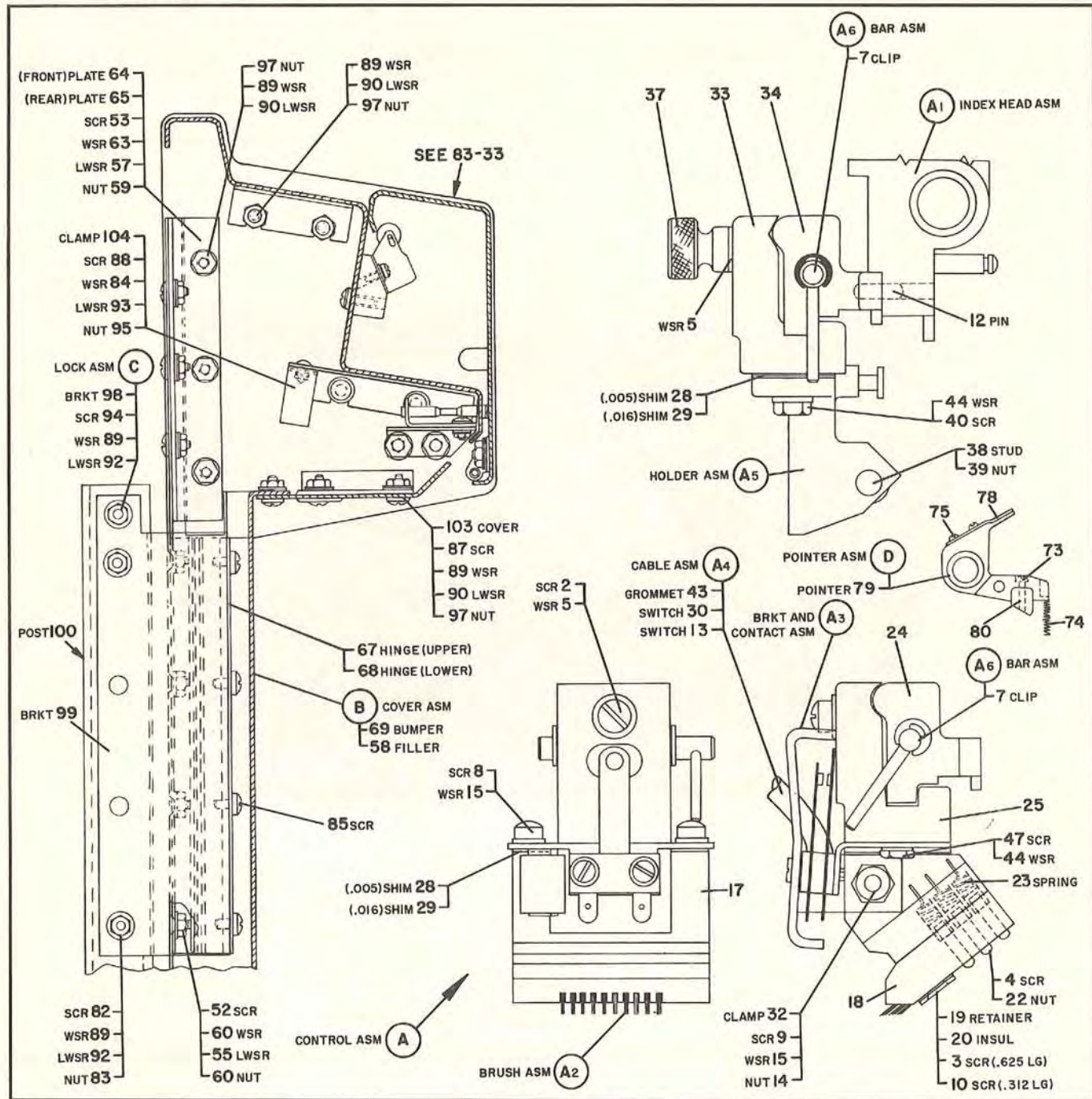
A2A	265165	ARM ASM-CRANK
A3	265191	LEVER ASM-DETENT &
A4	328736	SHAFT ASM-RESET GEAR &
72	265170	SHAFT-COUNTER RESET
73	23094	PIN-RESET SHAFT TAPER
A4A	265185	GEAR ASM-RESET SHAFT
A5	336353	CONNECTOR ASM-VARICON 23 POS (MALE) FOR BREAKDOWN SEE 83 - 21 (CIRCUIT BREAKERS)
B	311737	CAPACITOR ASM- .5 MFD 47 OHM
75	315959	CAPACITOR- .5 MFD
77	322777	RESISTOR- 47 OHM
C	336357	CONNECTOR ASM-23 POS VARICON (FEMALE)
81	47987	NUT-VARICON CONNECTOR
82	316491	CONTACT-SHORT (SOLDERLESS)
83	316492	SECTION-VARICON CENTER (FEMALE)
84	316494	SECTION-VARICON END (FEMALE)
85	316496	BRACKET-FEMALE CONN MTG
87	336355	SCREW-VARICON CONNECTOR
PARTS NOT INCLUDED WITH ASSEMBLIES		
91	130434	SCREW-COUNTER UNIT MTG



A	207170	COVER ASM-MCS ACCESS	27	266341	PLATE-TERM BLOCK MTG	55	257189	NUT-SWITCH BRACKET & PLATE MTG		
	2	11598	NUT-HINGE MTG	28	322550	SCREW-SUPPORT ASM MTG	58	257986	WASHER-SWITCH MTG	
	3	45690	WASHER-HINGE MTG	29	324463	INSULATOR-TERM BLOCK	59	265892	BLOCK-ACCESS DOOR CATCH MTG	
	4	56079	LOCKWASHER-HINGE MTG	B1	265240	SUPPORT ASM-BAR & PLATE	60	265895	BRACKET-INTERLOCK SWITCH MTG	
	5	265893	HINGE-FRONT	B2	324458	TERMINAL BLOCK ASM	63	265897	PLATE-END BELL FRONT	
	7	265894	HINGE-REAR				64	265898	PLATE-END BELL REAR	
	8	226141	DOOR-ACCESS				67	265948	PLATE-SELECT/SORT BUTTONS	
B	265298	CONTROL PANEL ASM-MULTIPLE COL SEL					68	336389	BUTTON-#1	
	12	3550	WASHER-TERM BLOCK PLATE MTG					336390	BUTTON-#2	
	13	5644	SCREW-TERM BLOCK MTG					336391	BUTTON-#3	
	14	11598	NUT-TERM BLOCK PLATE MTG					336392	BUTTON-#4	
	15	26119	SCREW-PANEL MTG					336393	BUTTON-#5	
	17	131326	SPACER-PANEL					336394	BUTTON-#6	
	18	180271	PLUGBOARD-MCS					336395	BUTTON-#7	
	19	257187	NUT-TERM BLOCK MTG					336396	BUTTON-#8	
	20	265293	PANEL-CONTROL					336397	BUTTON-#9	
	23	265295	PANEL-MCS					265294	BUTTON-#10	
	24	265297	SPACER-SUPPORT ASM					80	338169	LOCKWASHER-CATCH MTG
								82	513668	CATCH-FRICTION LATCH
			PARTS NOT INCLUDED WITH ASSEMBLIES							
	40	22478	WASHER-SWITCH BRACKET MTG							
	42	34512	SCREW-BLOCK MTG							
	43	38235	SCREW-SWITCH MTG							
	44	38263	SCREW-CATCH MTG							
	45	45639	WASHER-CATCH MTG							
	48	45690	WASHER-MTG							
	49	55901	LOCKWASHER-MTG							
	50	56722	LOCKWASHER-SWITCH MTG							
	53	231658	SWITCH-INTERLOCK							
	54	257187	NUT-SWITCH MTG							



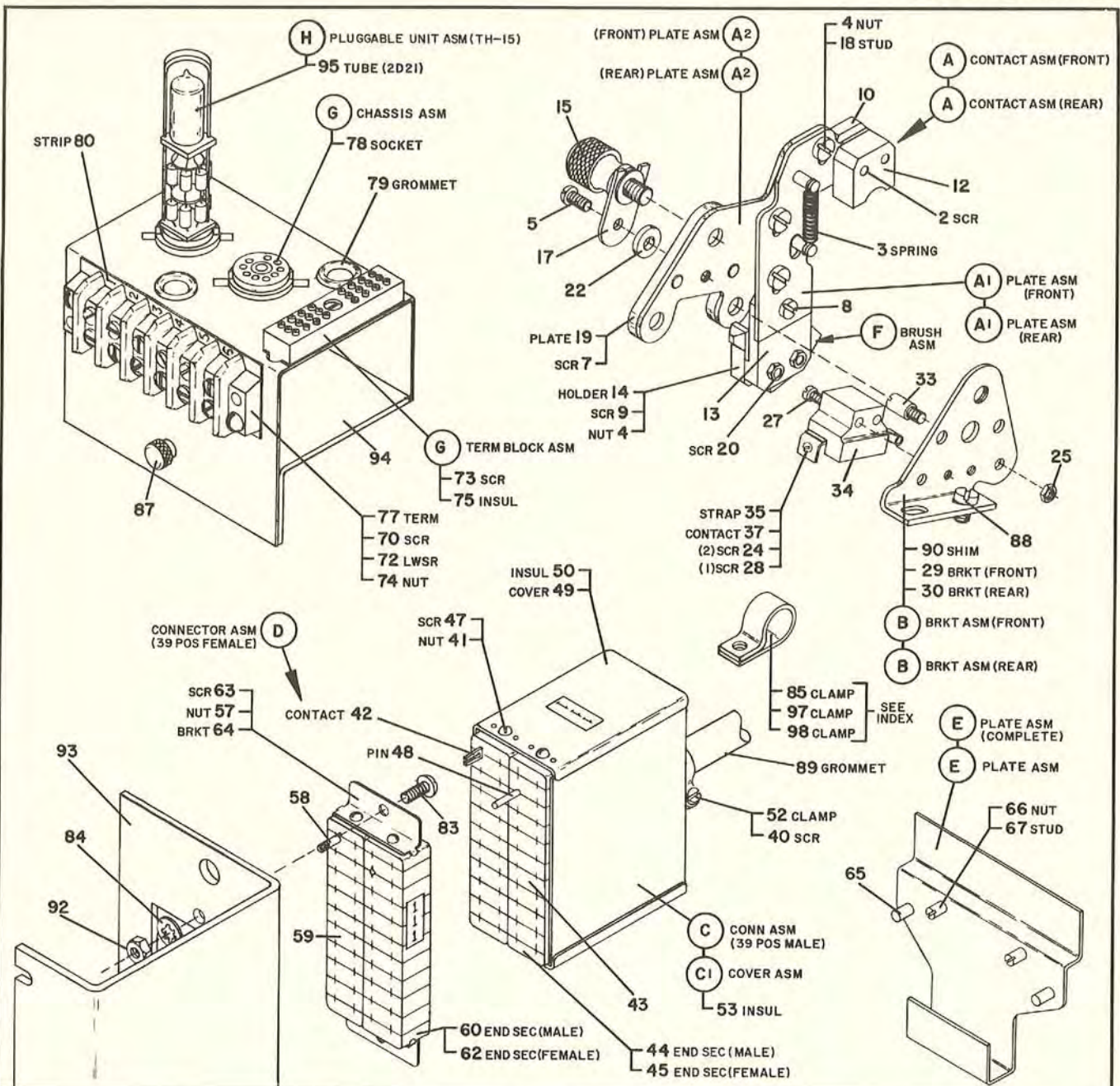
MCS Control & Right End Cover Asms



A	265884	CONTROL ASM-MCS FEATURE
2	2032	SCREW-MTG
3	5644	SCREW-(6-32 .625 LG)
4	12970	SCREW-BRUSH CLAMPING
5	22478	WASHER-MTG
7	25282	CLIP-SPRING
8	38353	SCREW-MTG
9	38447	SCREW-MTG
10	52522	SCREW-(4-40 .312 LG)
12	134958	PIN-BRUSH HOLDER DOWEL
13	231658	SWITCH-INTERLOCK
14	257187	NUT-CLAMP MTG
15	257986	WASHER-MTG
17	265266	FRAME-MCS BRUSH
18	265267	HOLDER-MCS BRUSH
19	265278	RETAINER-BRUSH
20	265279	INSULATOR-BRUSH RETAINER
22	265280	NUT-BRUSH CLAMP SCREW
23	265282	SPRING-BRUSH CONNECT
24	265283	BLOCK-MCS CARD BRUSH LOCATING
25	265284	BLOCK-MCS BRUSH HOLDER
28	265510	SHIM-(.005 THICK)
29	265511	SHIM-(.016 THICK)
30	265863	SWITCH UNIT-TEN POSITION (DPDT)
32	265869	CLAMP-CABLE
33	336223	BLOCK-CARD BRUSH HOLDER
34	336224	BLOCK-CARD BRUSH LOCATING
37	336229	SCREW-BRUSH BLOCK THUMB
38	336308	STUD-CARD BRUSH CLAMP
39	336309	NUT-CARD BRUSH CLAMP
40	336594	SCREW-MTG
43	450821	GROMMET-CABLE

44	1090199	WASHER-MTG
47	1093611	SCREW-MTG
A1	11606	HEAD-ASM-INDEX
A2	265265	BRUSH ASM-READ SPACE
A3	265268	CONTACT ASM-BRACKET AND
A4	265292	CABLE ASM-MCS CONTROL
A5	265512	FOR CONNECTOR ASM SEE 83-35
A6	336276	HOLDER ASM-CARD BRUSH (SPECIAL)
		BAR ASM-HOLDER LOCATING
B	207169	COVER ASM-HARDWARE & LOWER MCS
52	4636	SCREW
53	38235	SCREW
54	45690	WASHER
55	55901	LOCKWASHER
57	56722	LOCKWASHER
58	22377	FILLER-RUBBER CHANNEL
59	257187	NUT
60	257189	NUT
63	257986	WASHER
64	265900	PLATE-FRONT ANGLE
65	265901	PLATE-REAR ANGLE
67	265902	HINGE-END BELL UPPER
68	265903	HINGE-END BELL LOWER
69	324925	BUMPER-RUBBER
C	265896	LOCK ASM-RIGHT END BELL
D	266240	POINTER-ASM-COLUMNS INDICATOR (MCS)
73	4236	SCREW-BRUSH CONTROL
74	11603	SPRING-POINTER ASM
75	38565	SCREW-INDICATOR MTG

78	266189	POINTER-COLUMN INDICATOR (MCS)
79	266192	POINTER-COLUMN INDICATOR (SPECIAL)
80	336785	NUT-INDEX HEAD
PARTS NOT INCLUDED WITH ASSEMBLIES		
82	1152	SCREW-MTG
83	11598	NUT-MTG
84	22478	WASHER-CABLE CLAMP MTG
85	28413	SCREW-COVER HINGE MTG
87	34512	SCREW-LOWER COVER MTG
88	38574	SCREW-CABLE CLAMP MTG
89	45690	WASHER-MTG
90	55901	LOCKWASHER-MTG
92	56079	LOCKWASHER-MTG
93	36722	LOCKWASHER-CABLE CLAMP MTG
94	130434	SCREW-MTG
95	257187	NUT-CABLE CLAMP MTG
97	257189	NUT-MTG
98	265904	BRACKET-LOCK SUPPORT
99	265905	BRACKET-HINGE MTG
100	265906	POST-FRAME
103	266140	COVER-BOTTOM
104	313651	CLAMP-CABLE



A	266194	CONTACT ASM-FRONT RAIL	
A	266196	CONTACT ASM-REAR RAIL	
	2	1928	SCREW-
	3	24923	SPRING--
	4	38051	NUT-
	5	38353	SCREW-
	7	38443	SCREW-SPACER
	8	38571	SCREW-BRUSH CARRIER
	9	38574	SCREW-BRUSH CLAMP
	10	266175	SPACER-STOP BLOCK
	12	266176	BLOCK-STOP
	13	266177	CARRIER-RAIL BRUSH
	14	266178	HOLDER-RAIL BRUSH
	15	266179	SCREW-THUMB
	17	266180	RETAINER-THUMB SCREW
	18	266181	STUD-CARRIER PLATE GUIDE
	19	266183	PLATE-SPACER
	20	322550	SCREW-BRUSH HOLDER
	22	1074145	WASHER-
A1	266170	PLATE ASM-BRUSH CARRIER (FRONT)	
A1	266171	PLATE ASM-BRUSH CARRIER (REAR)	
A2	266173	PLATE ASM-RAIL CONTACTS (FRONT)	
A2	266174	PLATE ASM-RAIL CONTACTS (REAR)	
B	266195	BRACKET ASM-MAIN (FRONT)	
B	266197	BRACKET ASM-MAIN (REAR)	
	24	3834	SCREW-CONTACT SPRING MTG
	25	23931	NUT-DOWEL MTG
	27	38354	SCREW-CONTACT BLOCK
	28	53042	SCREW-TERMINAL
	29	266167	BRACKET-MAIN (FRONT)
	30	266168	BRACKET-MAIN (REAR)
	33	266182	DOWEL-BRACKET LOCATING
	34	266184	BLOCK-WIPER CONTACT MTG

	35	266185	STRAP-CONTACT
	37	266186	CONTACT-WIPER
C	316501	CONNECTOR ASM-39 POSITION MALE	
	40	5644	SCREW-STRAIN CLAMP
	41	47987	NUT-
	42	316490	CONTACT-SOLDERLESS (LONG)
	43	316492	SECTION-VARICON CENTER
	44	316493	SECTION-VARICON END (MALE)
	45	316494	SECTION-VARICON END (FEMALE)
	47	316495	SCREW-VARICON CONNECTOR
	48	316497	PIN-GUIDE
	49	316499	COVER-VARICON CONNECTOR END
	50	316506	INSULATION-END COVER
	52	316626	CLAMP-VARICON STRAIN
	53	316629	INSULATION-CENTER COVER
C1	316598	COVER ASM-VARICON CENTER	
D	316511	CONNECTOR ASM-39 POSITION FEMALE	
	57	47987	NUT-RETAINING
	58	316491	CONTACT-SOLDERLESS (SHORT)
	59	316492	SECTION-VARICON (CENTER)
	60	316493	SECTION-VARICON END (MALE)
	62	316494	SECTION-VARICON END (FEMALE)
	63	316495	SCREW-VARICON CONNECTOR
	64	316496	BRACKET-CONNECTOR MTG
E	273010	PLATE ASM-RAIL CONTACT STORAGE	
	65	186644	STUD-CARD WEIGHT HOLDER
E1	266193	PLATE ASM-RAIL CONTACT STORAGE	
	66	23931	NUT-STUD MTG
	67	266182	STUD-CONTACT SUPPORTING
F	202	BRUSH ASM-CARD	

G	265227	CHASSIS ASM-GROUP SORT	
	70	1957	SCREW-TERMINAL BLOCK MTG
	72	60696	LOCKWASHER-TERMINAL BLOCK MTG
	73	38566	SCREW-TERM BLOCK ASM MTG
	74	257189	NUT-TERM BLOCK MTG
	75	302131	INSULATOR-TERMINAL BLOCK
	77	317131	BLOCK-TERMINAL
	78	317520	SOCKET-PLUG-GABLE UNIT MTG
	79	303565	GROMMET-CABLE
	80	513740	STRIP-MARKER
G1	302090	BLOCK ASM-TERMINAL	
H	336616	PLUGGABLE UNIT ASM-TH-15	
PARTS NOT INCLUDED WITH ASSEMBLIES			
	83	455	SCREW-CONNECTOR PLUG MTG
	84	60646	LOCKWASHER-CONNECTOR PLUG MTG
	85	166668	CLAMP-CB CABLE (3/4" ID)
	87	183975	SCREW-CHASSIS MTG THUMB
	88	186759	SCREW-BRACKET MTG
	89	198981	GROMMET-RELAY CABINET
	90	220335	SHIM-BRACKET POSITIONING
	92	257189	NUT-CONNECTOR PLUG MTG
	93	265274	BRACKET-CONNECTOR PLUG MTG
	94	265225	BRACKET-CHASSIS MTG
	95	300704	TUBE-ELECTRON (2D21)
	97	313649	CLAMP-CABLE (1/2" ID)
	98	313747	CLAMP-CABLE (1 1/4" ID)

Numerical Index

PART NO.	SPARE PART	FIGURE & REF. NO.
99		27- 22
		27- 22
		27- 22
129		5- 68
		15- 11
163		1- 13
		4- 31
186		7- 32
195		21- 1
202		7- A
		35- F
221		13- 10
		14- 3
232		3- 1
		3- 13
		3- 27
		4- 32
		5- 64
		7- 33
		13- 11
		14- 4
		22- 1
		23- 1
		24- 9
		27- 23
		29- 15
273		25- 22
288		18- 15
		19- 20
		20- 2
		20- 17
337		4- 79
		8- 42
		11- 93
		19- 70
		23- 2
		25- 23
358		23- 67
420		7- 34
		14- 5
443		25- 24
		27- 24
		30- 2
453		18- 17
455		3- 102
		9- 36
		18- 18
		22- 2
		32- 1
		35- 83
504		24- 10
555		27- 25
577		32- 2
598		25- 25
641		7- 35
		8- 69
		9- 37
		12- 62
		14- 6
845		13- 12
		14- 7
		17- 12
		24- 12
1152		34- 82
1413		10- 27
		28- 62
1535		14- 8
1866		7- 38
1928		18- 19
		35- 2
1942		1- 3
		26- 10
1957		35- 70
2025		13- 13
2031		10- 28
		29- 30
2032		32- 3
		34- 2
2179		4- 33
		5- 65

PART NO.	SPARE PART	FIGURE & REF. NO.
2179 [□]		30- 50
2300		22- 3
		23- 4
		23- 72
		27- 27
2384		10- 29
2596		1- 14
2899		24- 13
2903		14- 9
		15- 12
2994		17- 13
3550		3- 103
		17- 7
		18- 1
		18- 20
		19- 2
		27- 1
		30- 3
		31- 96
		33- 12
3834		24- 85
		35- 24
3960		3- 104
		18- 22
		22- 4
		23- 5
		30- 4
		30- 12
4236		7- 39
		34- 73
4327		11- 87
4564		12- 63
		27- 28
4569		3- 72
		31- 68
4636		13- 14
		34- 52
5471		15- 13
5528		3- 57
		5- 19
5644		15- 14
		25- 2
		33- 13
		34- 3
		35- 40
		6-CHART
		6-CHART
6318		3- 105
		8- 75
		9- 38
		11- 1
		14- 10
		15- 21
		18- 23
		21- 2
		22- 5
		23- 8
		25- 28
		26- 9
		29- 32
6364		1- 4
		1- 15
		10- 30
		11- 67
		13- 17
		14- 12
		18- 24
		21- 3
		22- 7
		26- 12
6503		4- 34
		5- 23
		8- 40
		11- 2
		15- 15
		16- 12
		31- 52
6615		12- 2
6725		11- 3

PART NO.	SPARE PART	FIGURE & REF. NO.
99		27- 22
		27- 22
		27- 22
129		5- 68
		15- 11
163		1- 13
		4- 31
186		7- 32
195		21- 1
202		7- A
		35- F
221		13- 10
		14- 3
232		3- 1
		3- 13
		3- 27
		4- 32
		5- 64
		7- 33
		13- 11
		14- 4
		22- 1
		23- 1
		24- 9
		27- 23
		29- 15
273		25- 22
288		18- 15
		19- 20
		20- 2
		20- 17
337		4- 79
		8- 42
		11- 93
		19- 70
		23- 2
		25- 23
358		23- 67
420		7- 34
		14- 5
443		25- 24
		27- 24
		30- 2
453		18- 17
455		3- 102
		9- 36
		18- 18
		22- 2
		32- 1
		35- 83
504		24- 10
555		27- 25
577		32- 2
598		25- 25
641		7- 35
		8- 69
		9- 37
		12- 62
		14- 6
845		13- 12
		14- 7
		17- 12
		24- 12
1152		34- 82
1413		10- 27
		28- 62
1535		14- 8
1866		7- 38
1928		18- 19
		35- 2
1942		1- 3
		26- 10
1957		35- 70
2025		13- 13
2031		10- 28
		29- 30
2032		32- 3
		34- 2
2179		4- 33
		5- 65

PART NO.	SPARE PART	FIGURE & REF. NO.
2179		30- 50
2300		22- 3
		23- 4
		23- 72
		27- 27
2384		10- 29
2596		1- 14
2899		24- 13
2903		14- 9
		15- 12
2994		17- 13
3550		3- 103
		17- 7
		18- 1
		18- 20
		19- 2
		27- 1
		30- 3
		31- 96
		33- 12
3834		24- 85
3960		35- 24
		3- 104
		18- 22
		22- 4
		23- 5
		30- 4
		30- 12
4236		7- 39
		34- 73
4327		11- 87
4564		12- 63
		27- 28
4569		3- 72
		31- 68
4636		13- 14
		34- 52
5471		15- 13
5528		3- 57
		5- 19
5644		15- 14
		25- 2
		33- 13
		34- 3
		35- 40
		6-CHART
		6-CHART
6318		3- 105
		8- 75
		9- 38
		11- 1
		14- 10
		15- 21
		18- 23
		21- 2
		22- 5
		23- 8
		25- 28
		26- 9
		29- 32
6364		1- 4
		1- 15
		10- 30
		11- 67
		13- 17
		14- 12
		18- 24
		21- 3
		22- 7
		26- 12
6503		4- 34
		5- 23
		8- 40
		11- 2
		15- 15
		16- 12
		31- 52
6615		12- 2
6725		11- 3
6935		3- 83

PART NO.	SPARE PART	FIGURE & REF. NO.
6935		3- 107
		14- 13
		15- 18
		18- 25
		24- 84
		30- 5
7192		1- 16
7256		32- 4
7321		1- 17
7327		1- 18
7341		4- 37
8163		7- 40
		14- 14
8506		19- 22
9092		1- 19
		3- 108
		11- 94
		13- 18
		14- 15
		17- 14
		18- 27
		21- 109
		22- 8
		23- 10
		24- 14
		25- 29
10170		11- 95
		13- 20
		21- 4
		22- 71
		23- 73
		1- 20
10303		7- 22
10308		15- 19
10310		7- 15
10441		7- 42
10442		7- 43
10444		7- 44
10445		7- 16
10468		28- 2
10610		29- 70
		11- 68
11464		7- 45
11582		7- 27
11583		7- 47
11585		7- 48
11587		7- 28
11588		1- 22
11598		3- 109
		18- 28
		22- 10
		23- 13
		24- 15
		25- 30
		26- 13
		27- 29
		30- 19
		30- 55
		31- 83
		33- 2
		33- 14
		34- 83
		7- 49
11603		34- 74
		7- 52
11604		7- 53
11605		7- C1
11606		34- A1
11891		24- 17
11900		4- 12
		10- 1
12015		16- 22
12458		7- 54
12552		16- 23
12936		31- 23
12954		14- 18
		15- 20
12970		34- 4
13035		15- 22
19167		10- 33

PART NO.	SPARE PART	FIGURE & REF. NO.
19852		14- 19
21644		19- 84
21866		4- H3
22066		7- 57
		10- 2
		14- 20
		24- 87
		25- 3
		31- 1
		31- 37
		32- 5
22349		3- 110
		18- 29
22478		3- 112
		7- 2
		8- 39
		8- 77
		13- 23
		18- 30
		19- 85
		22- 12
		23- 14
		23- 74
		26- 14
		29- 72
		30- 57
		31- 84
		32- 7
		33- 40
		34- 5
		34- 84
		4- 2
22547		3- 113
22797		32- 65
23069		32- 73
23096		30- 13
23141		3- 114
23815		10- 3
		7- 58
23858		4- 38
23931		10- 34
		13- 24
		14- 22
		18- 32
		27- 30
		35- 25
		35- 66
		13-CHART
		1- 23
24327		29- 17
24511		4- 13
24740		12- 64
24752		18- 33
		32- 9
24923		35- 3
25282		7- 3
		18- 34
		34- 7
25627		3- 37
		7- 59
		8- 70
		15- 23
		19- 94
		26- 11
25643		16- 24
25793		1- 24
		3- 115
		15- 24
26119		33- 15
28413		3- 38
		3- 117
		34- 85
28564		32- 67
28772		10- C
32617		1- 25
33504		1- 57
		26- 16
34512		3- 118
		18- 35
		21- 5

PART NO.	SPARE PART	FIGURE & REF. NO.
34512□		26- 15 31- 53 33- 42 34- 87
35762		7- 60
36109		24- 88
36844		18- 37
37073		22- 13 23- 15 25- 33
37913		9- 42 13- 25 18- 38 31- 27 31- 38
38051		1- 5 1- 27 8- 38 9- 1 12- 3 13- 28 14- 23 18- 39 31- 2 35- 4
38235		1- 28 3- 119 4- 39 10- 35 11- 4 13- 29 14- 24 26- 21 33- 43 34- 53
38250		8- 37 9- 2 12- 4 11- 5 12- 5 13- 30 18- 40 29- 33 31- 3 32- 10 33- 33
38261		21- 7
38262		33- 44 12- 47 11- 7 29- 2 14- 27 21- 8 22- 14 24- 18 28- 81
38263		6-CHART 6-CHART
38264		12- 65 13- 34 21- 9 21- 88 25- 34
38266		10- 38 13- 35 14- 28 28- 3
38269		6- 30 21- 10 31- 4 34- 8 35- 5
38350		6- 32 24- 19 35- 27
38351		11- 69 15- 27 30- 24
38352		19- 82 21- 12
38353		
38354		
38359		
38368		

PART NO.	SPARE PART	FIGURE & REF. NO.
38368□		23- 77 24- 20
38376		9- 44
38433		18- 42 28- 4
38434		6- 14 29- 34
38442		6-CHART 6-CHART
38443		1- 26 3- 120 35- 7 6-CHART 6-CHART
38447		34- 9
38454		28- 63
38457		5- 18
38495		3- 39
38562		11- 8 18- 43
38565		11- 70 32- 12 34- 75
38566		22- 15 23- 19 23- 60 25- 4 35- 73 35- 8
38571		1- 29
38574		10- 39 14- 29 18- 44 26- 17 34- 88 35- 9
38577		8- 68
38688		3- 122 18- 46 24- 21 31- 85 18- 45 23- 68
38693		11- 97
38866		13- 39
38911		11- 10 21- 13 8- 34 9- 3
42827		32- 13 32-CHART
45621		10- 4 21- 14 33- 45 9- 45 10- 40 14- 30 18- 47 13- 40 26- 30 1- 30 3- 40 3- 124
45624		11- 13 11- 98 13- 42 17- 15 18- 48 19- 97 24- 23 27- 32 30- 7 31- 86 33- 3 33- 48 34- 54 34- 89
45625		23- 69
45639		18- 49
45652		21- 89
45677		
45690		
46219		
47242		
47987		

PART NO.	SPARE PART	FIGURE & REF. NO.
47987□		32- 81 35- 41 35- 57 4- 40
51410		6-CHART
52360		6-CHART
52393		32- 16
52445		24- A
52522		34- 10
52523		23- 62
52570		9- 4
52578		6-CHART 6-CHART
52998		23- 20
53042		9- 7 32- 14 35- 28
53208		5- 69 19- 89 32- 15 8- 33 1- 32 3- 125 18- 50 3- 126 4- 7 23- 89 28- 64 22- 17 29- 73 33- 49 34- 55 34- 90 4- 43 1- 33 3- 127 33- 4 34- 92 1- 34 3- 73 3- 128 26- 18 30- 59 31- 69 1- 6 3- 129 21- 15 26- 26 31- 7 33- 50 34- 57 34- 93 11- 73 3- 130 18- 52 19- 79 20- 22 27- 33 30- 60 31- 54 31- 87 30- 62 15- 28 3- 132 15- 29 3- 133 11- 99 28- 5 28- 83 16- 25 30- 63 4- 44 5- 24 10- 43 13- 43 14- 32 15- 32 16- 13 17- 18 24- 24
55459		
55467		
55520		
55726		
55901		
55918		
56079		
56121		
56722		
57576		
58207		
58851		
59560		
59647		
59652		
60488		
60489		
60646		

PART NO.	SPARE PART	FIGURE & REF. NO.
60646		28- 65
		31- 55
		31- 88
		35- 72
		35- 84
60937		32- 17
		32-CHART
62031		25- 35
		31- 58
		32- 18
65266		8- 32
		9- 8
65756		3- 134
		31- 97
72828		32- 19
76846		3- 135
77063		18- 53
77210		19- 90
79081		30- 64
79233		3- 136
79842		19- 78
80650		5- 17
81142		21- 110
81404		7- 62
		21- 17
81509		32- 20
81693		29- 35
92795		5- 59
100229		4- 14
100237		21- 65
100464		10- 5
101017		21- 67
101706		3- 74
		24- 26
		25- 38
		31- 70
102691		13- 44
		14- 34
		17- 19
		31- 89
103893		8- 30
		9- 9
		10- 8
104613		32- 22
104615		1- 37
		24- 29
104654		26- 19
105047		3- 137
118418		10- 9
109317		30- 66
110029		13- 47
110129		13- 48
		18- 54
		19- 65
		28- 7
		29- 37
110433		11- 15
112055		19- 93
114201		13- 49
114307		10- 18
114773		31- 24
115413		10- 19
116314		10- 8
118418		4- 22
		21- 68
120211		1- 38
		3- 138
		27- 34
120943		22- 74
		23- 21
120944		22- 18
121349		22- 19
122436		22- 20
122639		32-CHART
122640		32-CHART
123206		11- 17
123780		27- 35
125930		27- 38
126384		15- 34

PART NO.	SPARE PART	FIGURE & REF. NO.
126385		15- 37
126386		15- 38
126736		3- 84
127499		1- 39
127735		14- 35
129654		5- 25
		16- 14
		18- 55
		10- 44
130374		1- 40
130434		30- 14
		32- 91
		34- 94
		4- 45
		8- 79
		19- 77
		29- 74
		29- 75
		33- 17
		6- 33
		23- 78
		11- 74
		23- 23
		11- 75
		7- 4
		34- 12
		26- 20
		23- 25
		10- 10
		14- 37
		24- 25
		1- 41
		24- 27
		7- 63
		11- 18
		27- 39
		15- 39
		4- 48
		8- 29
		9- 10
		29- 3
		15- 40
148303		15- 44
148368		13- 50
149695		8- 28
150047		9- 12
		31- 28
		4- H1
		25- 39
		12- 7
		3- 63
		21- 18
		13- 53
		14- 38
		32- 23
		4- H2
		8- 44
		9- 47
		10- 45
		18- 57
		19- 23
		13- 54
		14- 40
		15- 45
		21- 19
		10- 48
		13- 57
		14- 42
		15- 49
		18- 56
		19- 74
		21- 20
		18- 58
		24- 28
		22- A1
		23- A1
		22- A2
		23- A2
		22- A3
		23- A3
159822		
159866		
159941		
159942		
159943		

PART NO.	SPARE PART	FIGURE & REF. NO.
159944		22- 24
		23- 24
159945		22- 25
		23- 27
159946		22- 28
		23- 28
		1- 43
161351		14- 43
161370		12- 68
161417		1- 44
166572		15- 50
		35- 85
166668		32- 24
167338		3- 140
167715		4- 17
173205		10- 13
173212		11- 19
173937		10- 14
179269		3- 143
179623		3- 144
180072		33- 18
180271		32-CHART
180528		35- 87
183875		1- 7
183900		8- 25
185093		9- 13
		19- 73
		1- 82
185129		29- 4
186083		8- 24
186399		35- 88
186644		8- 74
186758		21- 22
		28- 8
186759		8- 73
		28- 9
		32- 25
		35- 88
		12- 8
188555		4- 61
188787		22- 77
189939		23- 88
		32- 27
191106		29- 38
192049		18- 59
194679		20- 23
		18- 60
194684		4- 49
196298		3- 75
196379		31- 73
196818		7- 64
		10- 49
196819		3- 145
196833		6- 34
196891		27- 2
196893		27- 40
196894		27- 42
196895		27- 43
196896		27- 44
196898		27- 45
196899		27- 48
196903		27- 49
196904		27- 50
196905		27- 53
196954		27- 54
196961		27- 55
196962		27- 57
197484		27- 58
197485		27- A
197486		27- 3
197487		27- 4
197488		27- 59
197489		27- B
197498		12- 69
198363		22- 29
		23- 29
198447		6- 2
198448		6- 3
198499		6- A
198658		6- A

PART NO.	SPARE PART	FIGURE & REF. NO.
198724		20- A1
		20- B1
198765		13-CHART
198767		13-CHART
198786		13-CHART
198787		13-CHART
198788		13-CHART
198789		13-CHART
198790		13-CHART
198846		13-CHART
198848		13-CHART
198849		13-CHART
198851		13-CHART
198860		13-CHART
198861		13-CHART
198867		6- 35
198868		6- 38
198870		6- 39
198872		6- B
198890		20- A
198891		20- B
198895		10- 90
198897		13- 55
198899		12- 42
198981		35- 89
200513		17- M
200603		4- 74
200652		4- 75
200653		4- A
200654		4- 78
200656		13- 58
200680		13- 60
202700		13- A
203105		12- A1
203106		12- A2
203107		27- 60
203108		27- 63
203256		20- C
203439		6- 40
203474		6- C
203476		6- D
203477		6- E
203478		6- 42
203482		6- 15
203484		8- 45
		9- 30
		19- 24
203485		20- 3
		8- 47
		9- 31
		19- 27
		20- 4
203490		27- 64
203494		20- 24
203496		12- A3A
203497		12- A3
203498		12- A3
203563		27- 65
203686		27- 68
203687		27- C
204362		32- 62
204452		21- 23
204616		11- 100
		18- 62
205329		22- 30
		23- 32
205330		22- 33
		23- 33
205331		11- 20
		22- 34
		23- 34
205742		21- A1A
205743		21- 69
205747		21- 70
205759		13- 59
		14- 44
205783		21- 72
206459		1- 47
		18- 63
206951		1- 48

PART NO.	SPARE PART	FIGURE & REF. NO.
207161		3- A
207162		3- B
207163		3- C
207164		3- D
207165		3- E
207167		1- B
207169		34- B
207170		33- A
207172		1- C
207543		1- 1
207793		22- A4
		23- A4
209341		23- 86
209462		15- C
210428		1- 49
211561		3- 2
		3- 14
215679		26- 22
215680		26- 23
216043		12- A4
216055		12- 9
216056		12- 10
216057		12- 13
216058		12- 14
216059		12- 15
216060		12- 18
216328		30- E1
216329		30- E
216837		28- 10
216929		1- 58
		26- 24
218704		24- 30
219578		12- 19
219608		3- 3
		3- 15
		3- 28
219615		1- 2
219633		4- 50
		5- 54
219715		3- 4
		3- 17
219717		3- 5
		3- 18
		3- 29
219743		13- 63
		16- 28
		35- 90
220335		1- 50
222377		3- 7
		25- 20
		34- 58
223736		3- 8
		3- 30
223997		4- A
225617		24- 32
225704		21- 24
225769		31- 8
225815		1- 52
225859		4- 53
		4- 54
		5- 67
		7- 67
		29- 77
225886		24- 33
226417		24- 34
226565		21-CHART
226798		13- 64
		14- 45
227379		21- 25
		31- 91
		29- 5
228093		21- A1B
228107		21- A1C
228109		21- A1
228110		21- 73
228147		21- 74
228164		25- 40
228220		28- 12
228348		21- 75
228472		21- 77
228475		21- 77

PART NO.	SPARE PART	FIGURE & REF. NO.
228476		21- 78
228477		21- 79
228478		21- 80
228480		21- 82
228481		21- 83
230736		21- 84
231658		14- 47
		18- 64
		33- 53
		34- 13
233355		4- 3
		11- 22
233736		3- 19
233829		26- 25
233841		26- 27
233880		26- 28
233883		26- 29
233888		26- 32
234321		29- 18
236474		19- 60
236550		28- 13
		29- 78
236849		27- 69
		30- 67
237032		1- 53
		3- 149
237245		10- 50
		13- 67
		14- 49
		16- 29
238364		8- 62
251970		12- 20
253267		26- 33
256341		15-CHART
256342		15-CHART
256343		15-CHART
256344		15-CHART
257186		3- 146
		6- 43
257187		1- 54
		3- 77
		6- 4
		6- 44
		25- 5
		25- 43
		31- 59
		31- 74
		31- 90
		32- 28
		33- 19
		33- 54
		34- 14
		34- 59
		34- 95
		13-CHART
257188		24- 38
257189		13- 69
		22- 35
		24- 39
		26- 34
		30- 32
		33- 55
		34- 60
		34- 97
		35- 74
		35- 92
257793		3- 150
257956		12- 22
257958		12- 23
257967		13- 70
257969		12- 70
257971		6- 45
257973		6- 48
		27- 70
257982		17- 8
		27- 73
257984		3- 152
		12- 24
257986		1- 55

PART NO.	SPARE PART	FIGURE & REF. NO.
257986		8- 48
		19- 28
		20- 5
		28- 86
		33- 58
		34- 15
		34- 63
262900		31- A1
263046		31- A1A
263412		24- 40
264577		5- H
264582		8- 63
264583		5- 52
264585		5- 40
264587		8- C
264590		5- 45
264591		16- D
264595		16- E
264600		16- C
264602		16- C
264609		8- 67
264611		19- F
264613		16- G
264625		19- D
264627		19- 68
264628		19- 62
264629		19- E
264630		19- 59
264631		19- 58
264632		8- 60
264633		19- 64
264634		8- 78
264635		19- 80
264636		19- 57
264638		19- 43
264639		19- 42
264643		19- 44
264644		19- 45
264646		19- 47
264649		19- 3
264650		19- 29
264655		19- A
264656		19- 4
264657		19- 5
264666		19- B
264670		19- 48
264686		19- G
264687		19- H
264694		19- 49
264696		19- 50
264697		19- 53
264698		19- 83
264700		8- 23
264701		8- 20
264703		8- 2
264704		8- 3
264706		8- A1
264707		8- A
264708		8- 4
264709		19- 54
264714		5- 63
264716		8- 5
264717		8- 7
264718		8- 8
264719		8- 9
264720		19- 63
264721		8- 64
264726		5- 15
264727		5- 14
264728		5- 13
264729		5- 12
264988		31- 39
264989		31- 9
264990		31- 10
264991		31- 40
264992		31- 29
264993		31- 30

PART NO.	SPARE PART	FIGURE & REF. NO.
264994		31- 33
264995		31- A2
264996		31- 43
264997		31- 34
264998		31- 44
265000		31- A
265035		31- 60
265048		31- 45
265060		31- 63
265101		32- A1
265103		31- D
265112		1- 8
265115		1- 59
265116		1-
265117		1-
265118		1-
265119		1-
265120		1-
265121		1-
265122		1-
265123		1-
265136		21- A
265142		25- G
265144		25- H
265145		25- 44
265146		32- 29
265147		32- 30
265149		3- 42
265150		32- A
265151		3- F
265152		32- 32
265153		32- 33
265154		32- 34
265155		32- 35
265157		32- 68
265158		32- 36
265160		32- 69
265161		32- 39
265162		32- 40
265163		32- 42
265165		32- A2A
265166		32- 43
265169		32- 44
265170		32- 72
265173		32- 45
265174		32- 47
265178		32- 48
265181		32- A2
265185		32- A4A
265191		32- A3
265195		32- 49
265197		32- 50
265198		32- 52
265200		32- 53
265202		21- A5
265209		31- 100
265216		25- J
265219		21- A
265220		21-CHART
265224		35- 93
265225		35- 94
265226		32- 54
265227		35- G
265228		21- 28
265229		21- 29
265230		21- 30
265231		21- 33
265232		21- 34
265240		33- B1
265245		25- B
265246		25- A
265247		25- A
265250		25- D
265251		25- 8
265253		25- E
265254		21-CHART
265256		25- F
265265		34- A2

PART NO.	SPARE PART	FIGURE & REF. NO.
265266		34- 17
265267		34- 18
265268		34- A3
265278		34- 19
265279		34- 20
265280		34- 22
265282		34- 23
265283		34- 24
265284		34- 25
265292		34- A4
265293		33- 20
265294		33-
265295		33- 23
265297		33- 24
265298		33- B
265510		34- 28
265511		34- 29
265512		34- A5
265605		16- F
265627		15- 53
265671		25- 45
265856		8- 65
265863		34- 30
265869		34- 32
265877		25-CHART
265884		34- A
265892		33- 59
265893		33- 5
265894		33- 7
265895		33- 60
265896		34- C
265897		33- 63
265898		33- 64
265900		34- 64
265901		34- 65
265902		34- 67
265903		34- 68
265904		34- 98
265905		34- 99
265906		34- 100
265931		5- B
265934		5- A
265935		5- 50
265936		5- 49
265937		5- 48
265939		16- A
265941		16- 30
265944		5- 47
265945		5- C
265948		33- 67
266050		31- 92
266051		31- 64
266077		31- B
266121		5- G
266123		5- F
266140		34- 103
266141		33- 8
266167		35- 29
266168		35- 30
266170		35- A1
266171		35- A1
266173		35- A2
266174		35- A2
266175		35- 10
266176		35- 12
266177		35- 13
266178		35- 14
266179		35- 15
266180		35- 17
266181		35- 18
266182		27- 74
		35- 33
		35- 67
		35- 19
266183		35- 34
266184		35- 35
266185		35- 35
266186		35- 37
266189		34- 78
266192		34- 79
266193		35- E1

PART NO.	SPARE PART	FIGURE & REF. NO.
266194		35- A
266195		35- B
266196		35- A
266197		35- B
266240		34- D
266336		5- J
266337		5- J1
266341		33- 27
266343		25-CHART
266347		1- 10
266432		5- E
266587		5- 53
266588		5- 43
266589		5- 42
266590		5- 58
266591		5- 44
266592		5- D
266596		31- 93
		31- 93
266602		25- E
266718		24- B
267031		30- B
267037		30- A
267038		30- C
267530		21- 35
267533		1- 60
		26- 35
267641		17- A
267643		17- 20
267645		17- C
267647		17- B
267649		17- E
267651		17- D
267652		9- D
267653		6- 55
267659		17- F
267660		6- 57
267662		6- F
268057		31- A3
273010		35- E
274091		24-CHART
274092		24-CHART
284424		22- 37
		23- 90
288383		23- A7C
288384		23- 70
288385		23- 63
288545		24- 42
300606		22- 38
300704		22- 39
		23- 39
		25- 47
		35- 95
300722		22-CHART
300751		22-CHART
300874		7- 68
301298		22- 40
301437		26- 36
301672		23- B
301881		25-CHART
302090		11- A1
		22- A5
		23- A5
		23- A7B
		25- A1
		35- G1
302131		11- 23
		22- 43
		23- 43
		23- 64
		25- 9
		35- 75
303565		25- 10
		35- 79
304660		31- 13
304661		31- 14
304877		3- 153
306063		28- 67

PART NO.	SPARE PART	FIGURE & REF. NO.
308139		31- 15
308140		31- 18
308174		31- 19
308346		26- 38
308476		24- 56
308704		22- 44
		23- 91
		4- 18
309047		5- 55
309683		28- 14
309747		21- 37
310411		23-CHART
310919		1- 64
311388		32- 55
311395		22- 72
311481		23- 79
		31- 94
311486		3- J
311492		31- C
		15- 105
311536		22- A
311606		22- A
311611		24-CHART
311612		24-CHART
311613		24-CHART
311614		24-CHART
311615		24-CHART
311639		11- 24
311640		15- 54
311641		21- 38
311642		18- 66
		27- 75
311699		8- 49
		9- 43
		9- 32
		18- 65
		19- 30
		20- 7
311737		32- B
311794		21- 39
311795		24- C
311812		24- 43
311813		24- 44
311814		24- 45
311815		24- 48
311816		24- 49
311817		24- 50
311818		24- 53
311848		24- 54
311907		22- 75
		23- 87
311943		16- H
313381		28- A1
313649		31- 99
		35- 97
313651		34- 104
313731		1- 65
		3- 154
313747		35- 98
314105		24- 57
315891		25- A2
315902		25-CHART
315959		31- 80
		32- 75
316362		15- C
316490		21- 90
		35- 42
316491		32- 82
316492		35- 58
		21- 93
		32- 83
		35- 43
		35- 59
316493		21- 94
		35- 44
		35- 60
316494		32- 84
		35- 45
		35- 62
316495		35- 47

PART NO.	SPARE PART	FIGURE & REF. NO.
316495		35- 63
316496		32- 85
		35- 64
316497		21- 95
		35- 48
316498		21- 97
316499		21- 98
		35- 49
316501		35- C
316506		21- 99
		35- 50
316511		35- D
316598		35- C1
316626		35- 52
316629		35- 53
317030		22-CHART
317057		22-CHART
317098		22-CHART
317131		35- 77
317150		24- 55
317227		11- 25
		31- 95
317428		31- 81
317485		24- 58
		25- 13
317520		23- A7A
		25- A3
		35- 78
317721		24- D
322060		3- 78
		31- 75
322280		24- 60
		25- 14
322550		29- 39
		33- 28
		35- 20
322551		7- 69
322777		32- 77
323840		18- 67
323842		24- 59
324458		25- A4
		33- B2
324463		25- 15
		33- 29
		34- 69
324923		11- 27
325435		22- 47
326323		25-CHART
326365		22- A6
326368		23- A6
		25-CHART
326369		14- 50
327064		15- B
327227		26- 37
327229		26- 41
327230		3- 151
327231		3- 156
327232		3- 79
327233		31- 78
		29- 40
327545		29- E1
327548		30- D
327551		30- D
327552		28- 88
327553		28- 89
327554		29- 79
327555		
		30- 33
327557		28- 15
327562		28- 17
327563		28- 18
327564		28- A2
327568		29- 80
327569		29- A
327571		29- 82
327572		28- 19
327575		30- 34
327580		28- 20
327581		28- 22
327582		

PART NO.	SPARE PART	FIGURE & REF. NO.
327583		29- 42
327584		28- 23
327585		29- 43
327590		28- A3
327593		30- J
327594		28- 24
327595		28- 25
327596		28- 27
327598		29- 44
327599		28- 28
327600		28- 29
327605		29- 19
327606		28- 30
327607		28- A
327610		29- B
327612		29- E2
327613		28- 90
		30- 69
327614		29- 83
327616		30- F
327618		28- 91
		30- 70
327619		30- 35
327621		29- 45
327624		29- 84
327626		30- 73
327627		29- 47
327631		28- 32
327635		29- 48
327638		30- A1
327641		30- 8
327642		28- A4
327644		29- E3
327645		29- F4
327647		28- 33
327648		28- 68
327650		30- 25
327655		30- 20
327663		30- 75
327664		29- 7
327665		29- 8
327666		29- 9
327667		29- 10
327670		28- 92
327675		3- 157
327677		29- E5
327678		30- 77
327680		30- G
327686		28- 34
327691		30- B1
327692		30- 15
327694		29- D1
327695		29- 20
327697		29- D2
327699		3- 158
327700		3- 159
327701		3- 160
327703		30- 9
327706		30- 22
327707		30- B2
327715		29- 49
327716		29- 50
327862		29- 85
327863		28- 35
327868		28- C1
327869		28- 69
327871		29- 22
327882		29- 53
327883		28- 70
327887		29- C
328736		32- A4
		32- A4
		9- 33
328770		18- 71
328771		20- 8
328815		15- 102
		28- 37
		29- 54
328816		15- 57
		28- 38

PART NO.	SPARE PART	FIGURE & REF. NO.
328816□		28- 94
		29- 55
		30- 27
328817		28- 39
		28- 95
		29- 57
		29- 87
328833		29- 23
		30- 37
332747		18- 68
333064		3- 162
336872		15- C
336002		11- A
336003		11- 28
336004		11- 29
336006		11- A2
336007		11- A3
336008		11- 30
336010		11- A4
336011		11- 33
336012		11- A10A
336014		11- 78
336018		11- A10B
336020		11- 34
336021		11- 35
336024		11- 79
336025		11- 80
336026		11- A5
336027		11- A6
336029		11- A7
336030		11- A8
336031		11- 38
336032		11- 39
336033		11- A9
336035		11- 40
336050		11- A11A
336051		11- 88
336064		11- 102
336077		16- A
336092		16- F
336096		16- G
336101		21- A
336102		21- 40
336103		21- 43
336104		21- A2
336106		15- A
336107		21- 44
336108		21- 45
336109		21- 48
336110		21- 49
336111		21- 50
336113		21- 52
336114		21- 53
336115		21- 54
336116		21-CHART
336117		21-CHART
336118		21-CHART
336119		21-CHART
336120		21-CHART
336121		21-CHART
336127		9- A
336128		9- A1
336131		8- 10
		9- 14
336132		8- 12
		9- 15
336133		9- 17
336134		9- 18
336136		9- 19
336137		9- 22
336139		9- 23
336141		16- 33
336142		4- 4
336143		10- 53
		15- 58
		17- 23
		4- 57
336144		10- 54
336145		14- 52
336146		10- 55
336147		

PART NO.	SPARE PART	FIGURE & REF. NO.
336148		13- 73
336149		10- 58
336150		4- B
336151		4- C
336152		13- 74
		14- 53
336153		13- 75
		14- 54
336154		15- 59
336156		10- 59
336158		16- 34
336159		7- B
336162		15- 62
336163		16- 35
336165		4- 58
		5- 60
		7- 72
336166		4- 59
		7- 73
336170		15- 63
336176		15- 64
		17- 24
336177		13-CHART
336178		13-CHART
336179		13-CHART
336180		13-CHART
336181		13-CHART
336182		13-CHART
336183		13-CHART
336184		13-CHART
336185		13-CHART
336186		13-CHART
336187		13-CHART
336188		13-CHART
336189		13-CHART
336190		18- 69
		30- 79
336191		13- 77
336192		15- 65
336199		18- 70
336200		18- 72
336208		18- M
336212		7- 23
336213		7- 24
336214		4- 5
336216		18- 73
		27- 78
336222		7- 17
336223		7- C2
		34- 33
336224		34- 34
336226		7- C3
		34- A6
336227		7- C4
336228		7- C
336229		7- 5
		34- 37
336231		7- D
336232		4- D
336233		9- C
336234		18- 2
336235		10- 15
336236		18- A
336239		19- 7
336240		27- 14
336241		19- 8
336245		13-CHART
336246		10- A
336247		7- E
336249		4- 8
336251		11- A10C
336254		10- 60
		15- 68
		17- 25
		30- 28
336255		15- 69
		30- 29
336256		15- 70
336257		10- 63
336258		17- 28

PART NO.	SPARE PART	FIGURE & REF. NO.
336259		14- 55
336260		13- 78
336261		10- 64
336262		15- 72
336263		16- 38
336264		15- 73
336265		15- 74
336267		15- 77
336270		10- 65
		13- 79
336274		14- 57
336276		14- 58
		15- 78
336277		14- 60
		15- 79
336278		18- 74
336280		4- 60
336282		4- 62
336283		11- 103
		12- 72
336284		13- 80
		14- 62
336289		18- 8
336291		10- 68
336292		18- 75
336294		11- 104
336296		11- 105
336297		13- 83
336298		10- 69
336299		14- 63
336300		14- 64
336301		13- 84
336302		14- 65
336304		18- 77
336305		4- 63
336308		7- 74
		34- 38
336309		7- 77
		34- 39
336310		10- 70
		14- 67
		15- 82
336311		14- 68
336312		14- 70
336313		10- 73
		16- 39
336314		16- 40
336315		10- 74
		13- 85
336316		15- 83
336317		23- 48
336318		23- 49
336319		16- 43
336320		13- 88
		14- 72
336321		16- 44
336322		10- 75
		14- 73
336323		13- 90
		14- 74
336324		10- 78
		15- 84
		17- 29
336325		4- 64
		13- 93
		14- 75
336326		4- 67
336328		16- 45
336329		18- 78
336330		18- 79
336331		15- 85
		17- 30
		32- 57
336332		13- 94
336333		10- 79
		13- 95
336334		10- 80
336335		10- 83
		19- 99
336338		7- E

PART NO.	SPARE PART	FIGURE & REF. NO.
336339		18- 86
		27- 79
336340		26- 39
336341		11- 108
336342		11- 109
336343		10- 84
336344		15- 88
336345		15- 89
336346		13- 98
		14- 77
336350		23- A
336352		26- 40
336353		21- A3
		32- A5
		32- A5
336354		21- 100
336355		21- 103
		32- 87
336356		21- 104
336357		32- C
336359		10- 85
		15- 90
		17- 33
336363		16- 48
336364		15- 92
336366		18- 80
336367		18- 81
		19- 33
		20- 9
		20- 18
336380		11- 43
336381		11- 44
336382		11- 45
336383		11- 46
336384		3- G
336385		3- 64
336386		3- 65
336387		3- 67
336388		3- 68
336389		33- 68
		26-CHART
336390		33-
		26-CHART
336391		33-
		26-CHART
336392		33-
		26-CHART
336393		33-
		26-CHART
336394		33-
		26-CHART
336395		33-
		26-CHART
336396		33-
		26-CHART
336397		33-
		26-CHART
336398		26-CHART
336399		26-CHART
336401		26-CHART
336406		3- 163
336414		15- 93
336415		11- 49
336416		15- 94
336421		1- 67
336422		1- 66
		18- 82
336424		26- 42
336425		26- 43
336426		3- 164
336429		1- 68
		3- 165
336432		1- 69
336433		3- 167
336434		7- 78
336437		1- 70
336441		26- 44
336442		1- 72
		26- 45
336444		3- 168

PART NO.	SPARE PART	FIGURE & REF. NO.
336444□		26- 46
		31- 98
336446		3- 169
336447		26- 48
336448		1- 73
336449		1- 74
336452		3- 172
336453		1- 75
336455		26- 49
336457		3- 173
		3- 43
336459		3- 174
336460		23- 65
336466		26- 50
336467		26- 52
336468		26- 53
336469		26- 54
336470		26- 55
336476		26- 58
336477		26- 59
336478		26- 60
336479		26- 62
336480		3- 44
336481		3- 45
336482		18- 83
336483		24- 63
336484		3- 47
336485		3- 48
336487		26- 63
336490		3- 175
336493		3- 176
336494		1- 78
336496		3- 177
336501		1- 79
336502		1- 80
336503		1- 82
336504		1- 83
336505		3- 171
336507		1- 84
336508		3- 178
336509		1- 85
336512		1- 87
336513		1- 88
336514		1- 89
336516		1- 90
336517		15- 95
336534		13-CHART
336539		1- 92
336540		1- 93
336541		24- 65
336555		23-CHART
336566		25-CHART
		22- A7
336567		23-CHART
		25-CHART
		21- A4
336568		23- A7
336572		23- A
336579		24- 68
336583		8- 13
336585		8- 14
336590		9- 24
		8- 17
336591		9- 27
		8- 18
336592		9- 28
		15- 96
336593		17- 34
		7- 7
336594		34- 40
		18- 84
336595		18- C
336599		3- 49
336604		3- 50
336605		3- 52
336606		18- D
336608		22- A8
336610		14- 79
336612		18- 85

PART NO.	SPARE PART	FIGURE & REF. NO.
336613		18- 87
336615		18- 88
336616		23- A8
		25- C
		35- H
336619		1- 95
336620		1- 97
336621		3- 179
336622		3- 180
336624		18- 89
336626		18- E
336627		18- 90
336628		1- 98
		26- 64
336641		18- 92
336642		18- 93
336643		18- F
336644		18- 94
336646		18- G
336647		18- 95
336649		18- 97
336651		8- 50
		9- 34
		18- 98
		19- 34
		20- 10
		18- 99
336655		3- 182
336657		23- 82
336664		3- 20
336666		21- 55
336671		18- 100
336672		4- E1
336673		4- E
336675		1- 99
336676		1- 100
336677		1- 102
336678		3- F
336679		11- 82
336681		11- A10D
336685		4- 9
336688		24- 69
336689		15- 97
336695		15- 98
336696		11- 50
336701		21- CHART
336712		3- 85
336717		3- 87
336719		1- 103
336722		18- 102
		4- F
336729		4- 68
336730		7- 79
		1- A
336739		1- A
336740		23- 83
336741		7- 82
336743		11- A10
336745		18- A1
336747		27- A1
		27- 15
336748		9- B
336752		18- H
336754		4- G
336757		5- K
		4- 69
336760		4- H
336761		4- 19
336762		14- 80
336763		4- 72
336764		18- 103
336765		19- 87
		27- 80
336766		18- 3
		19- 9
		19- 88
		27- 7
336768		18- 104
336770		18- J
336772		18- K

PART NO.	SPARE PART	FIGURE & REF. NO.
336775		7- 12
336782		10- 88
336783		11- 110
336784		7- 83
336785		7- 84
		34- 80
336786		11- A11
336787		11- 89
336788		24- 70
336789		11- 83
336793		26- 65
336797		3- 80
		31- 79
336798		14- 84
336801		18- 4
336802		18- 5
		27- 8
336803		18- 7
		27- 9
336808		18- 105
		20- A2
		20- B2
336810		26- 68
336811		26- 69
336817		18- 107
336820		18- 108
336821		26- 70
336823		24- 74
336824		7- 87
336825		15- 107
336831		16- 49
336835		22- 48
336836		18- 109
336843		15- C
336848		15- C
336855		3- 183
336856		1- 104
		3- 184
336861		22- 49
336864		3- 185
336868		1- 105
336869		3- 188
336870		3- 189
336871		15- C
336876		15- 103
336877		15- 104
336878		15- 109
336882		15- C
336883		15- C
336887		24- 73
336891		15- 108
336895		15- C
336901		16- J
336903		5- 27
		16- 15
336911		3- F2
		3- H
336912		3- 190
336913		3- 192
336926		16- C
336930		16- B
336932		16- E
336934		16- D
336936		15- 99
336937		3- 22
336938		3- 9
336939		3- 10
336940		1- 107
336941		3- 12
336942		3- 32
336943		3- 33
336947		21- 58
336948		7- 88
		21- 59
336949		3- 24
336951		3- 193
336952		3- 194
336954		13- CHART
336955		18- 110
336958		13- B

PART NO.	SPARE PART	FIGURE & REF. NO.
336958		13- CHART
336964		13- CHART
336965		13- CHART
336966		13- CHART
336967		13- CHART
336968		13- CHART
336969		13- CHART
336970		13- CHART
336971		13- CHART
336972		13- CHART
336973		13- CHART
336974		13- CHART
336975		13- CHART
336976		13- CHART
336981		3- 195
336982		3- 197
336991		22- 50
336994		22- 54
336995		22- 59
338169		11- 53
		13- 99
		18- 112
		28- 40
		29- 88
		31- 20
		31- 48
		32- 58
		33- 80
338238		11- 54
340728		28- 42
344015		8- 52
		9- 35
		19- 36
		20- 12
		3- 58
344834		3- 59
344835		3- 60
344836		3- F1
344837		24- 2
344840		24- E
344842		3- 53
344844		3- 54
344845		3- 198
344858		21- 60
344872		26- 73
344879		26- 74
344880		3- 88
344921		3- 89
344922		3- J1
344923		31- C1
344924		3- J
		31- C
345898		11- 55
345899		11- 56
345900		11- 58
345901		11- 59
345905		24- F
345906		24- G
345907		24- L
345908		24- H
345909		24- J
345918		24- K
345919		22- A9
		23- CHART
345925		22- A10
345926		22- A11
345927		22- A12
345928		22- A13
		23- CHART
347594		28- 43
347595		28- 44
363001		24- 78
363212		12- A3B
363213		12- A3B
363215		12- 48
363219		12- A3C
363221		12- 43
363223		12- 44
363237		12- A5
363238		12- 25

PART NO.	SPARE PART	FIGURE & REF. NO.
363239		12- 27
363240		12- A6
363247		12- 28
363249		12- 29
363284		17- N1
363287		17- N
		17- N
363290		17- N2
363574		12- 30
364303		30- 80
364326		3- 186
364396		3- 196
364397		3- 191
366844		24- 61
369026		3- 199
369207		22- 73
		23- 84
369208		3- 200
		24- 79
369383		29- 24
369384		29- 89
369385		29- 90
369416		18- 113
369433		22-CHART
369532		1- 108
437387		30- 17
437459		26- A
438145		28- 45
438538		12- 33
438546		12- 34
438548		6- 49
438554		3- 201
438573		6-CHART
		6-CHART
438574		6-CHART
		6-CHART
438586		29- 92
438768		26- 75
442033		15- 100
450821		34- 43
470132		12- 35
510379		6-CHART
		6-CHART
513668		33- 82
513740		35- 80
516919		26- 77
532586		1- 12
600893		18- 114
		27- 10
602203		29- 25
602334		30- H
602426		29- D
602427		29- E
602433		29- 58
602490		8- 53
		19- 37
602877		28- C
602889		28- C2
602912		28- C3
603207		28- 73
603208		28- 74
603305		6- 50
603311		6- 5
603312		6- 7
603313		6- 52
603314		6- 53
603329		6- 8
603361		27- 17
603440		6- 9
603453		6- F
603486		6- 10
750873		20- D
753170		20- 28
753216		3- 101
753558		5- L
753561		8- 54
		19- 38
753562		19- 98
753564		19- J
753566		19- J

PART NO.	SPARE PART	FIGURE & REF. NO.
754184		19- J1
754185		8- B
754187		8- B1
754190		19- 52
754301		20- 25
754302		20- 27
754303		12- A
754307		9- D
754308		6- 54
754309		6- G
754310		6- 17
754311		6- 18
754313		17- H
754315		17- G
754317		27- 81
754318		27- D
754322		27- E
754325		27- 83
754326		27- 84
754328		17- K
754330		17- L
754332		17- J
754333		17- 35
754336		27- 85
754339		12- 73
757734		19- C
801772		19- 10
		27- 12
		18- 8
1070020		18- L
1070043		6- 19
1071644		24- 83
1073462		10- 89
		13- 102
		14- 82
		21- 62
1074145		35- 22
1090199		7- 8
		34- 44
1090622		1- 11
		14- 83
		18- 115
		26- 78
		13-CHART
1090669		8- 19
		9- 29
1090873		12- 74
		22- 57
1091057		5- 57
1091073		4- 73
1091210		22- 58
1092125		12- 37
1093611		34- 47
1095160		23- 85
1100523		16- 50

PART NO.	SPARE PART	FIGURE & REF. NO.
----------	------------	-------------------

IBM

**International Business Machines Corporation
Data Processing Division
112 East Post Road, White Plains, New York**