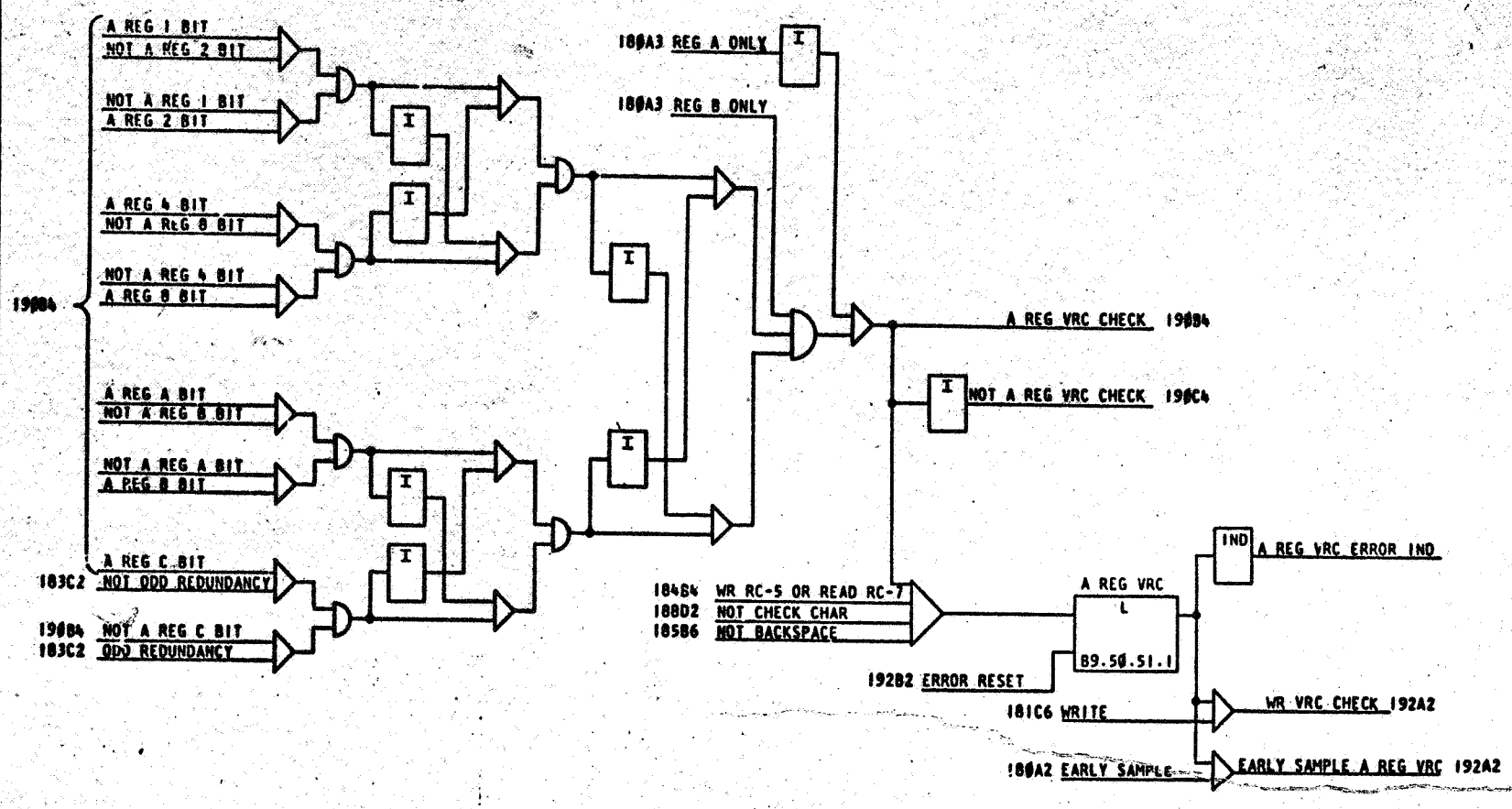
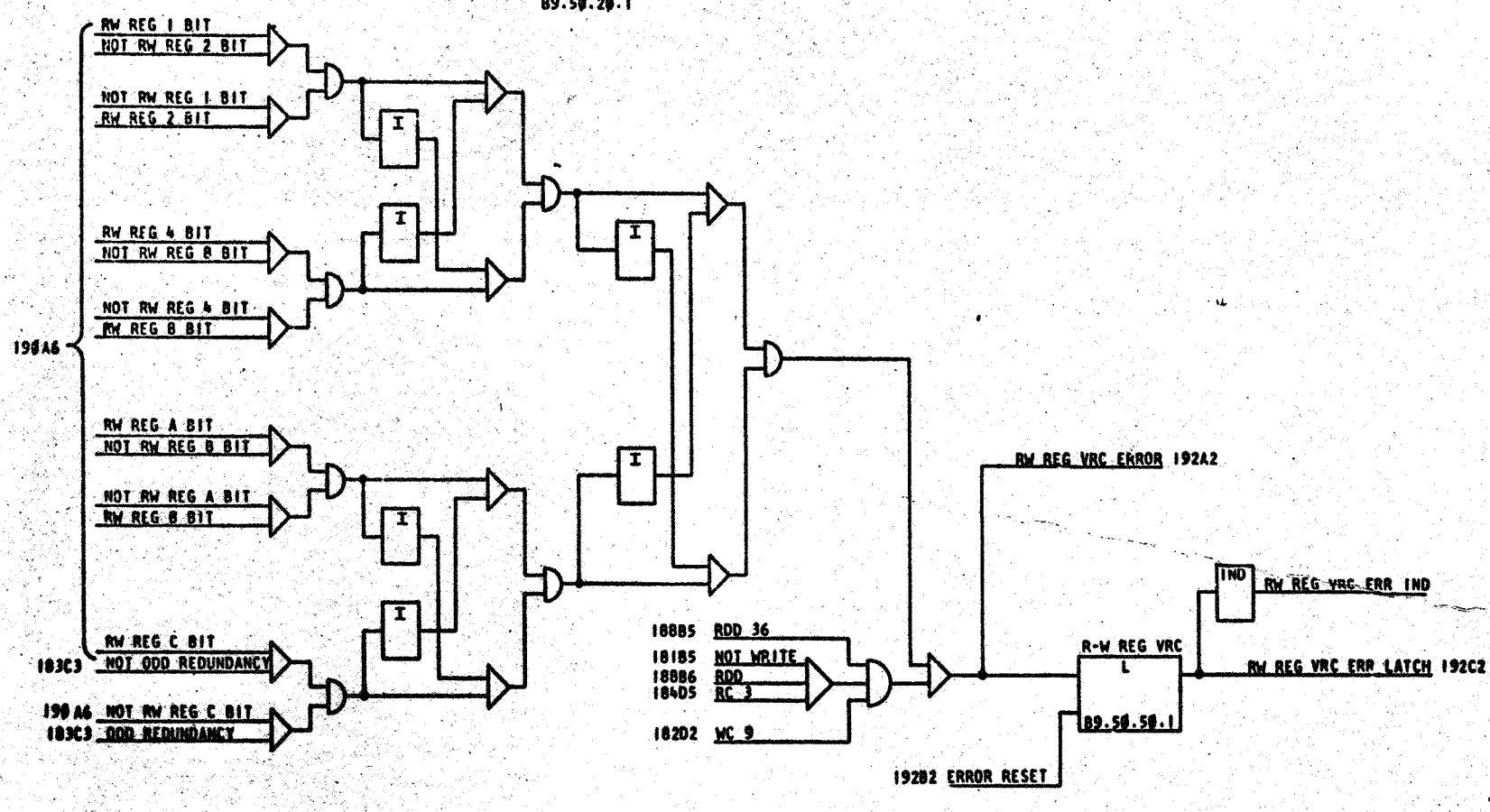


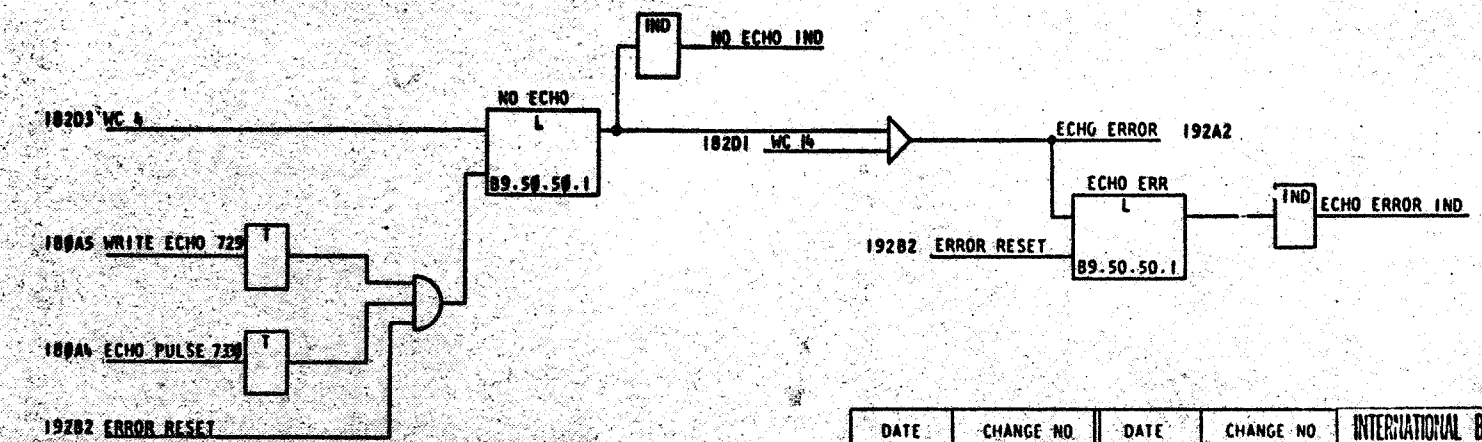
A REG VRC
B9.50.10.1



READ WRITE REG VRC
B9.50.20.1



ECHO ERROR
B9.50.50.1



DATE		CHANGE NO.		INTERNATIONAL BUSINESS MACHINES CORP.	
9-7-61	112226B	17-10-61	TA 37927 B	FIG 191	ERROR CIRCUITS I
7-6-65	124688	18-OCT-65	TA 32501 F		
				DESIGN	TYPE
				DETAIL	SCALE
				CHECK	DRAW VE 6-3-61
				APPRO	CHECK

723751