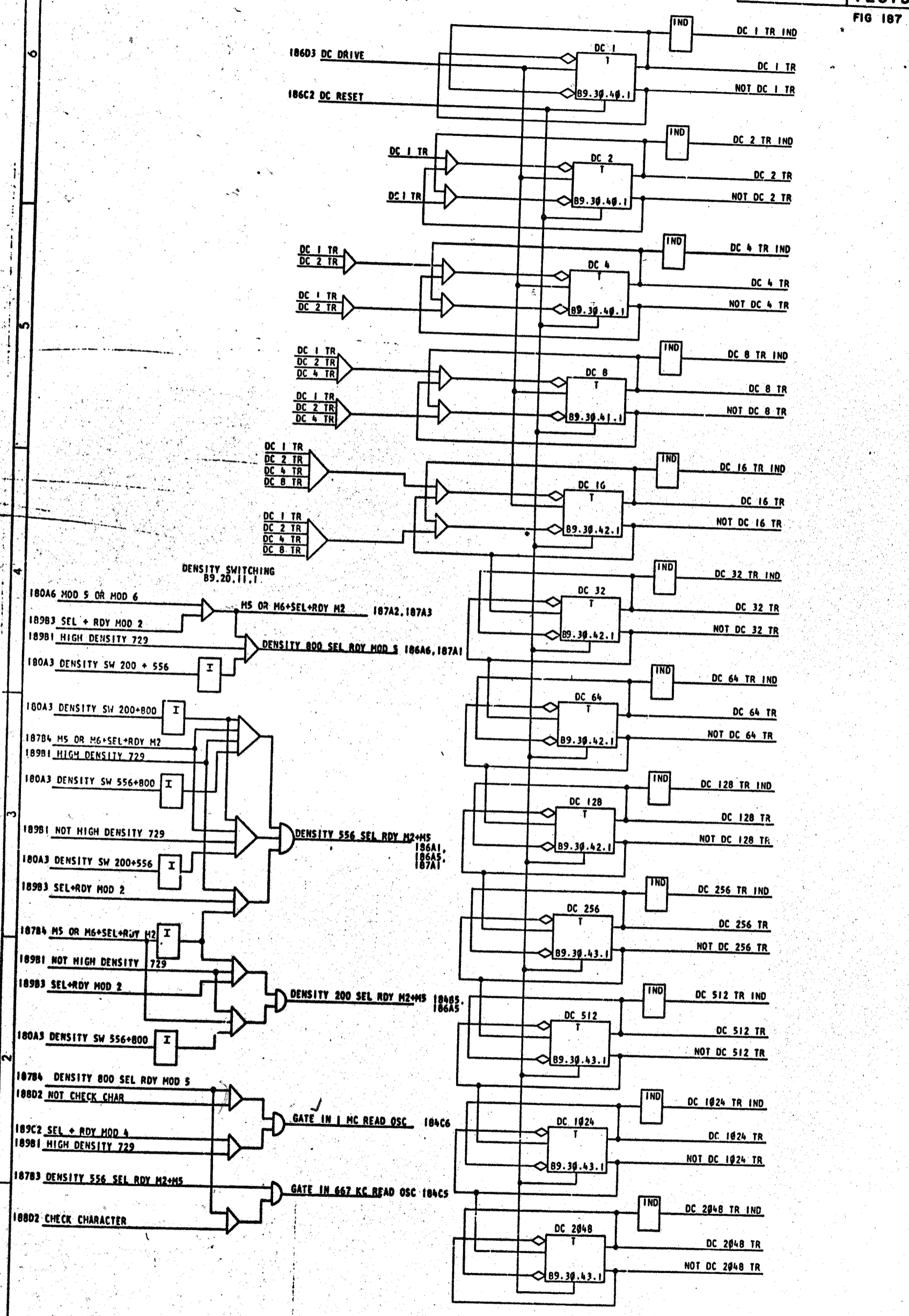


DELAY COUNTER  
89.30.40.1

723757

FIG 187



DATE	CHANGE NO	DATE	CHANGE NO	INTERNATIONAL BUSINESS MACHINES CORP		
9-7-61	112226 B	17.10.61	TA 37927 B	FIG 187	DELAY COUNTER +	
7-6-65	124688	18. OKT 65	TA 32501 F	DENSITY SWITCHING		
				DESIGN		TYPE
				DETAIL		SCALE
				CHECK		DRAW VE 6-5-61
				APPRO		CHECK