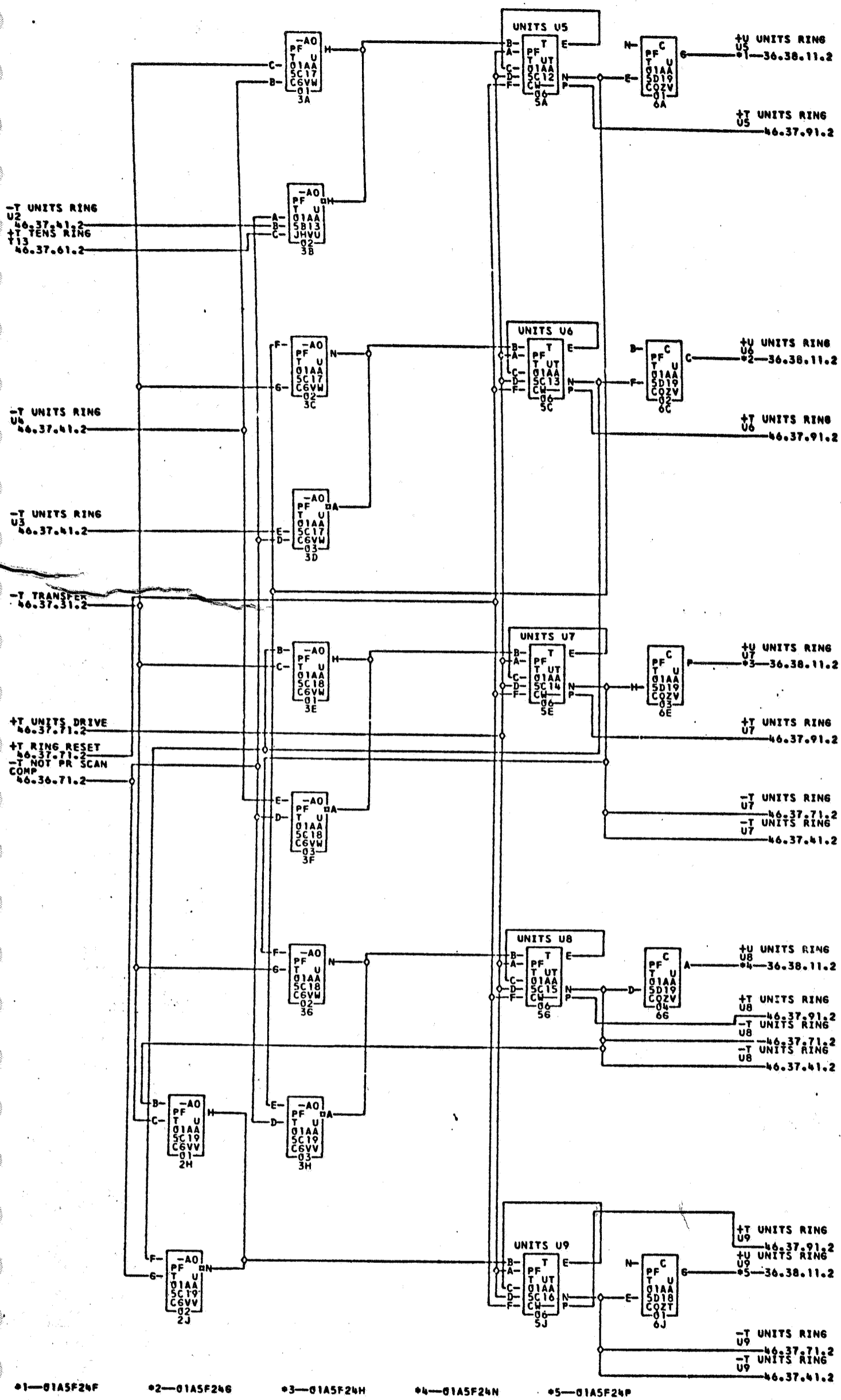


A 28.5.62

TA 1344

B 20.2.63

TA 1747



- *1-01A5F24F
- *2-01A5F24G
- *3-01A5F24H
- *4-01A5F24N
- *5-01A5F24P

COMMENTS

TAG DATE	E.C.NO.	TAG DATE	E.C.NO.	TAG DATE	E.C.NO.	TAG DATE	E.C.NO.
A 12-06-61	112269D	B 12-06-62	116738				

805580