

0482883

TENS RING SWITCHES AND INHIBIT TERM

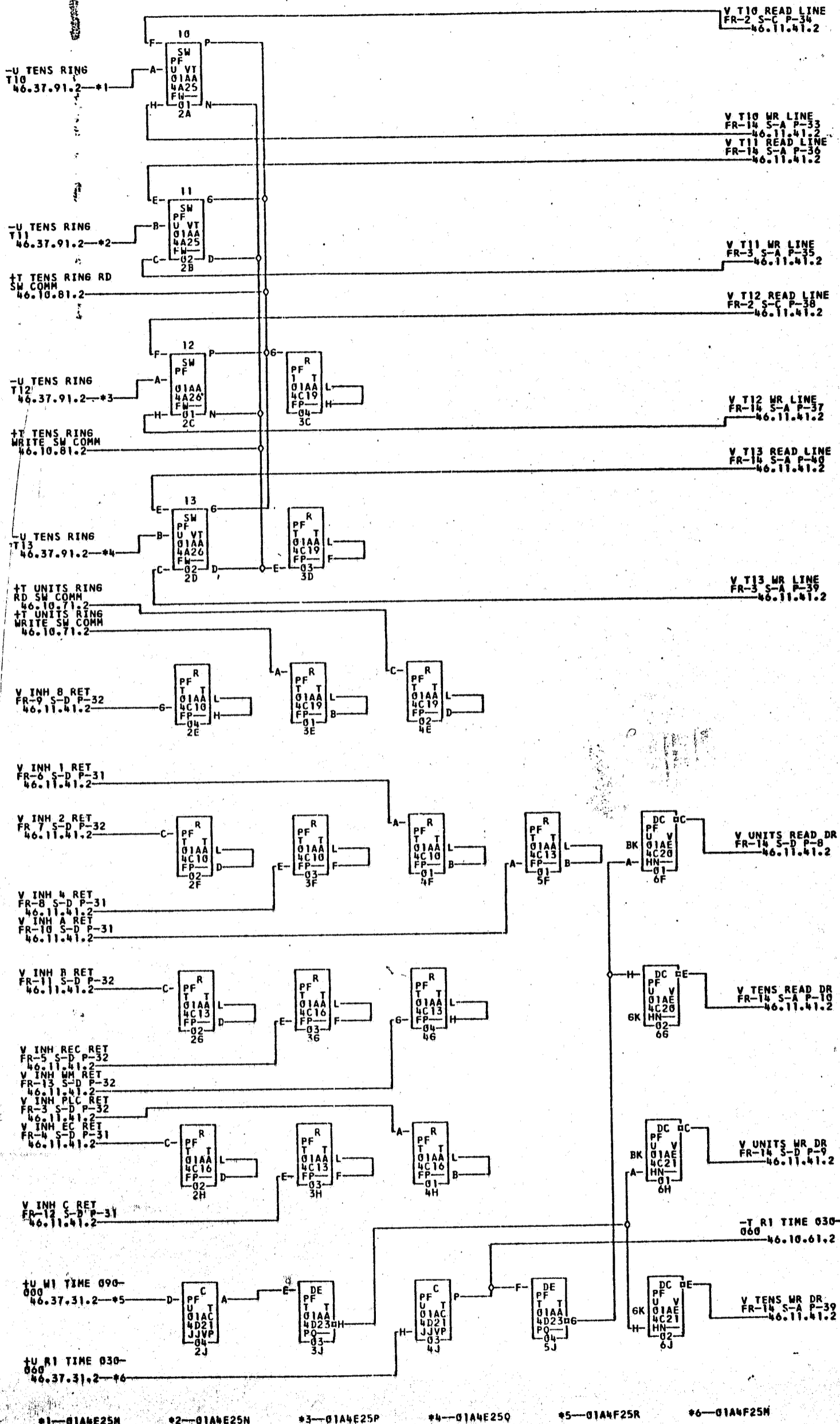
1401 PF

46.10.91.2

TAG DATE

D 22.2.62  
TA 1179

E 5.3.63  
TA 1770A



- \*1-01A4E25M
- \*2-01A4E25N
- \*3-01A4E25P
- \*4-01A4E25Q
- \*5-01A4F25R
- \*6-01A4F25M

FR MEANS FRAME  
S MEANS SIDE  
P MEANS PIN OR TERMINAL

COMMENTS

TAG DATE	E.C.NO.	TAG DATE	E.C.NO.	TAG DATE	E.C.NO.	TAG DATE	E.C.NO.
A 07-06-60	109501	B 10-21-60	109520	C 11-30-60	110415B	D 12-01-61	113422A
E 12-07-62	116739						

482883  
 V  
 H 0110A