

0731905

SPECIAL CHARACTER COMPARE

1401 HL

44.31.11.2

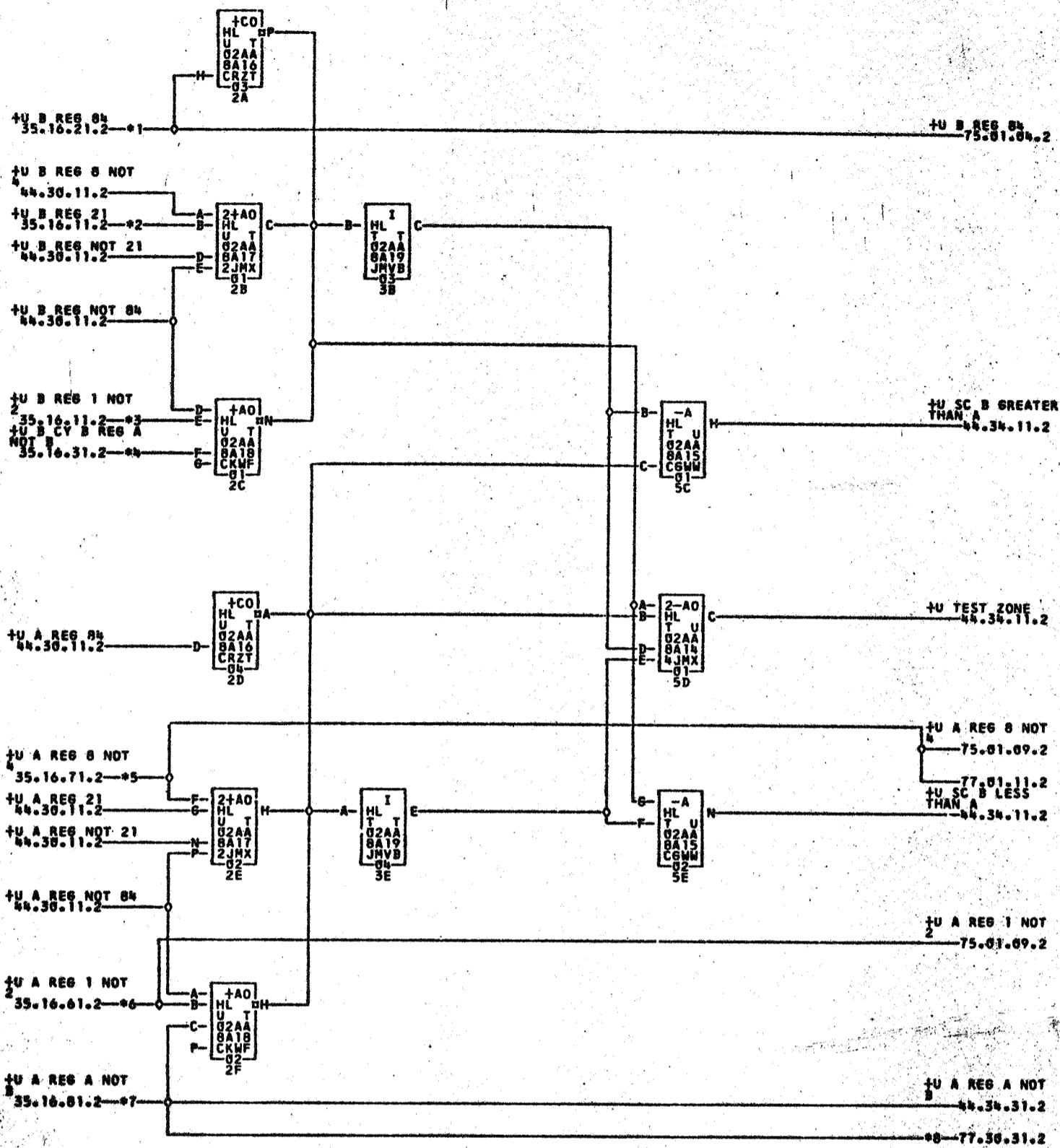
TAG DATE

A 26.2.63

TA 1740

B 21.6.63

TA 1870A



RPO
RPO
*02AA
8A01
01
26

RPO
RPO
*02AA
8A02
01
36

RPO
RPO
*02AA
8A03
01
46

RPO
RPO
*02AA
8B01
01
56

RPO
RPO
*02AA
8B02
01
66

RPO
RPO
*02AA
8B03
01
2H

*1-02A8A25L
*7-02A8A25K

*2-02A8A25M
*8-02A8C24D

*3-02A8A25P
*18-01B8A0AA

*4-02A8A25N

*5-02A8A25Q

*6-02A8A26A

COMMENTS

TAG DATE E.C.NO. TAG DATE E.C.NO. TAG DATE E.C.NO. TAG DATE E.C.NO.
A 11-17-62 118245A B 03-01-63 117181

731905