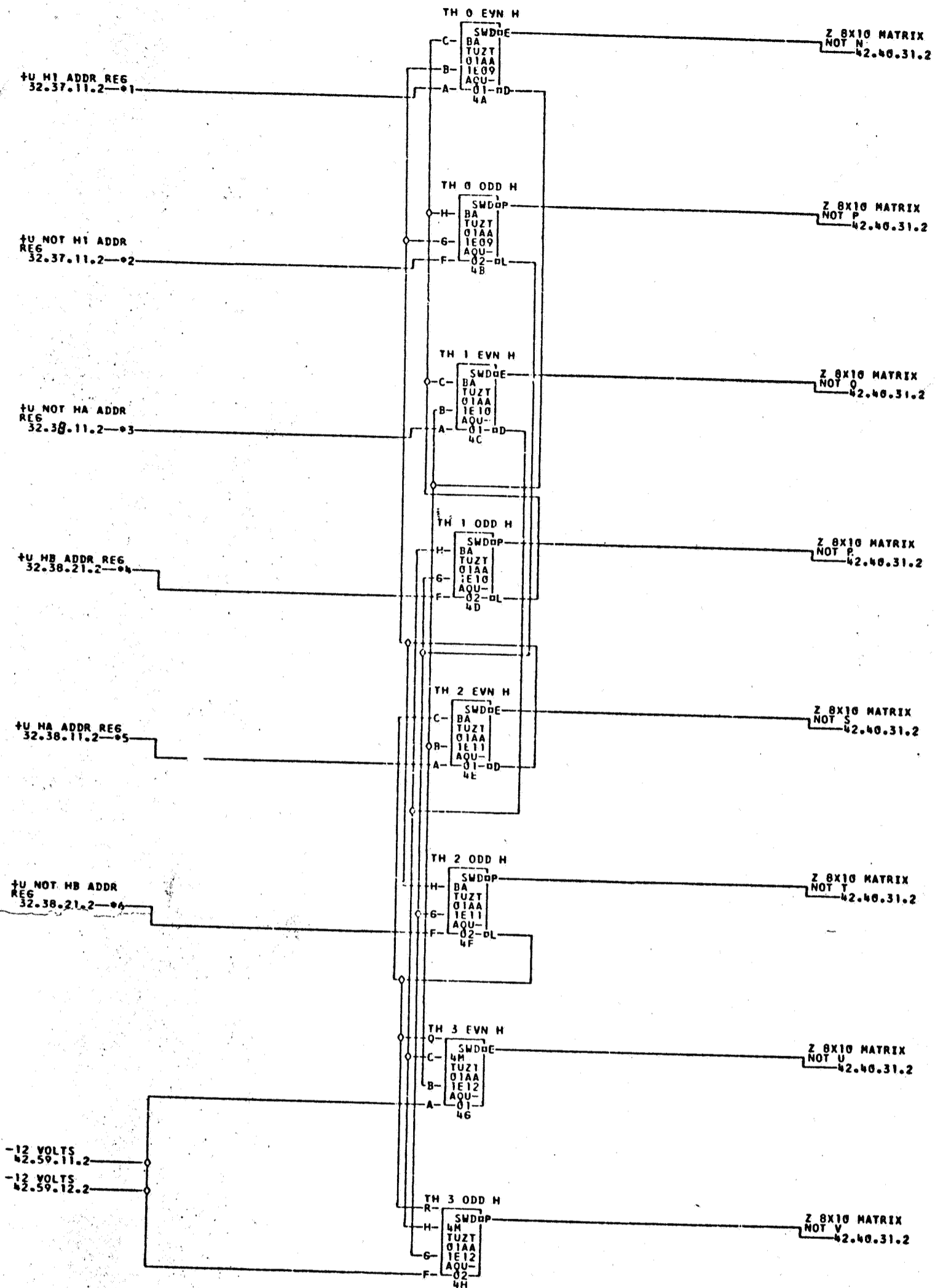


A 5.2.62  
TA 1129

B 12.3.63  
TA 1775



- \*1-01A1E01M
- \*2-01A1E02M
- \*3-01A1E03B
- \*4-01A1E03C
- \*5-01A1E03A
- \*6-01A1E03D

COMMENTS

TAG DATE	E.C.NO.	TAG DATE	E.C.NO.	TAG DATE	E.C.NO.	TAG DATE	E.C.NO.
A 11-13-61	112912	B 12-07-62	116749				

723,83