

0729042

HUNDREDS ZONE CARRY CONTROLS

1401 IN

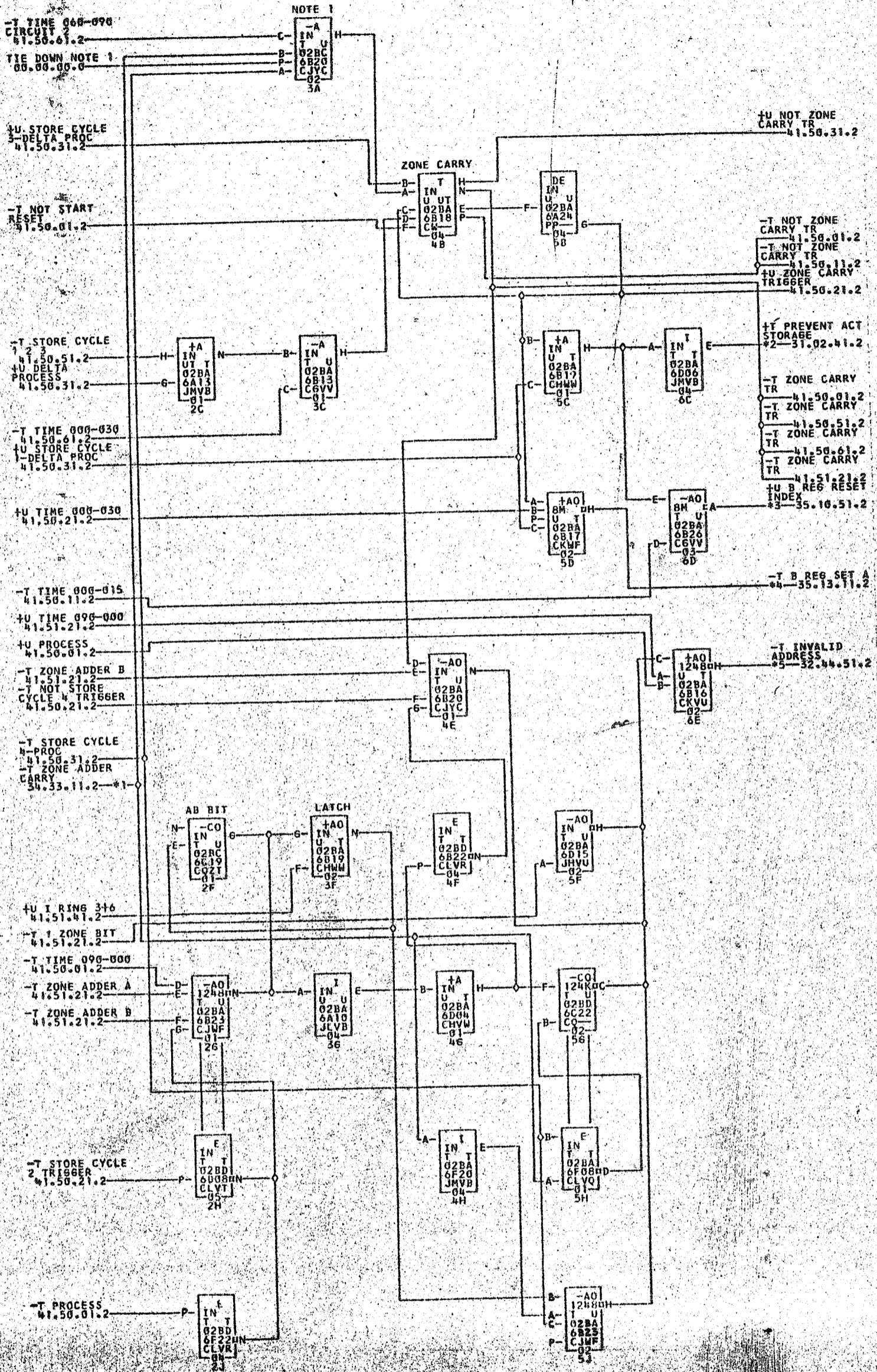
41.50.71.2

TAG DATE

8.2.63
TA 1578Q

D 5.3.63
TA 1771A

*25.11.63
TA 1990C



- #1-02BAC02R
- #2-02B6A02N
- #3-02B6B03L
- #4-02B6B03M
- #5-02B6E02L
- #6-02A0D15C
- #7-02A0C01P
- #8-02A0D15E
- #9-02A0B17E
- #10-01B2A02N
- #11-01A3F25N

NOTE 1 ADD JUMPER FROM PIN 4 TO PIN 5 FOR 4K AND BELOW

| TAG DATE | FIG NO. | TAG DATE | FIG NO. | TAG DATE | FIG NO. | TAG DATE | FIG NO. |
|----------|---------|----------|---------|----------|---------|----------|---------|
| 01-23-62 | 113839 | 06-04-62 | 114104 | 07-04-62 | 114154 | 12-13-62 | 114174 |

1990C
729042