

072431

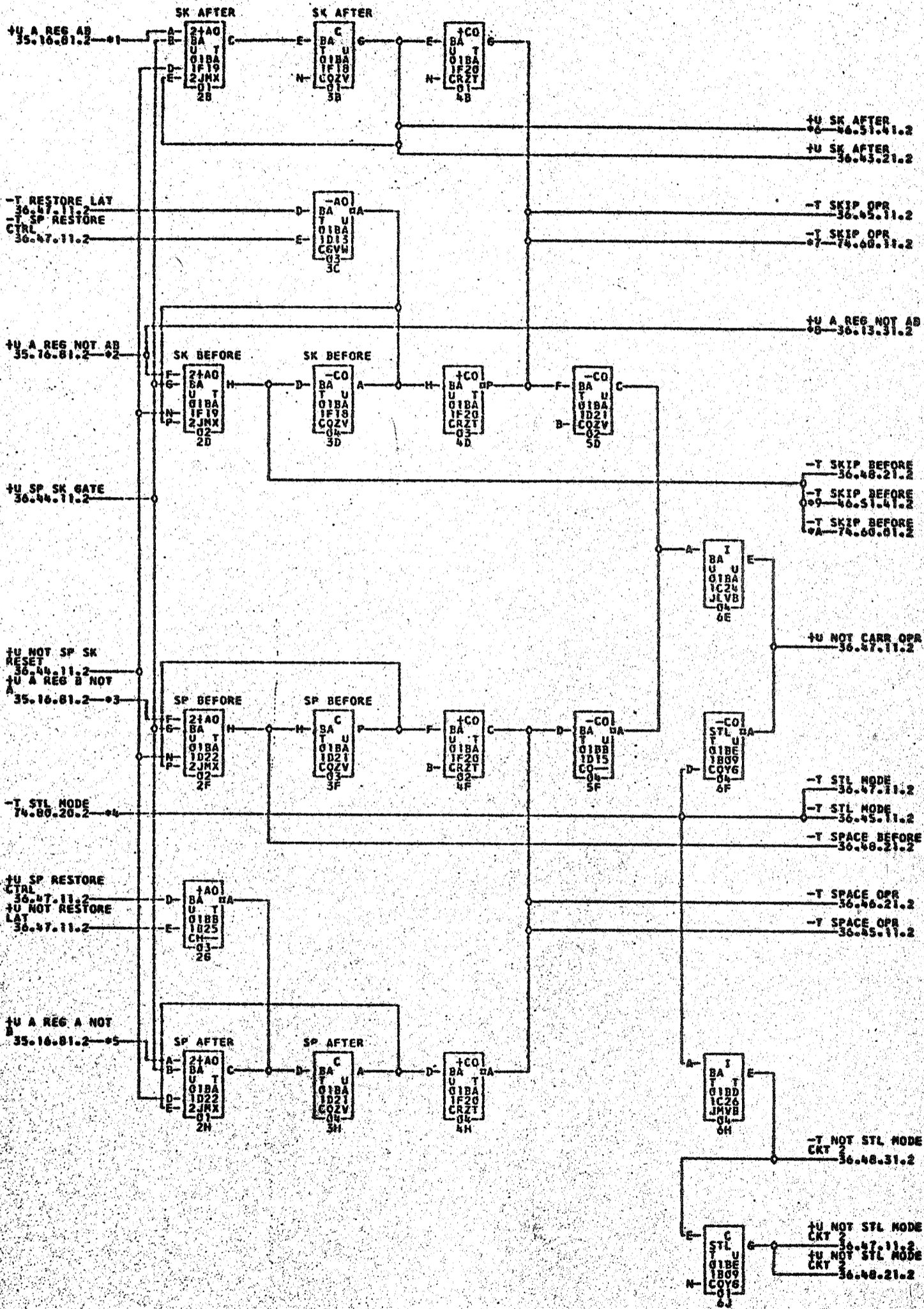
CARRIAGE QPR REGISTER

1401 BA 36.46.11.2

TAG DATE

D 9.1.63
TA 1896A

E 16.4.63
TA 1815A



- *1-01B1B01K
01A5B25N
*A-01B1F02C
- *2-01B1B01L
*7-01B1F02H
02A9A09D
- *3-01B1B01J
02A9A07E
02B8D02C
- *4-01B1F02Q
02B8D02R
- *5-01B1B01H
*6-01B1B02M
- *4-01B1B03H
*6-01B1B03L

COMMENTS

TAG DATE F.C.NO. TAG DATE F.C.NO. TAG DATE F.C.NO. TAG DATE F.C.NO.
 A 12-04-61 112249C B 06-05-62 116132A C 07-24-62 116328 D 10-11-62 116309
 E 01-14-63 116789

724631
 1815 A