

0728743

B REG ELANK AND COMBINED BITS AB

1401 BA

35.16.31.2

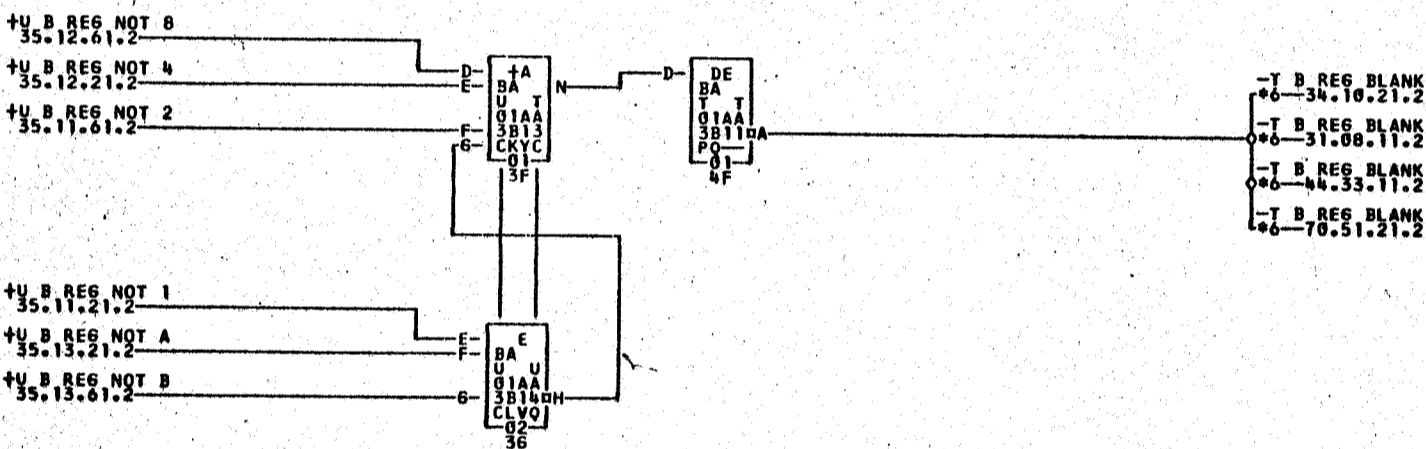
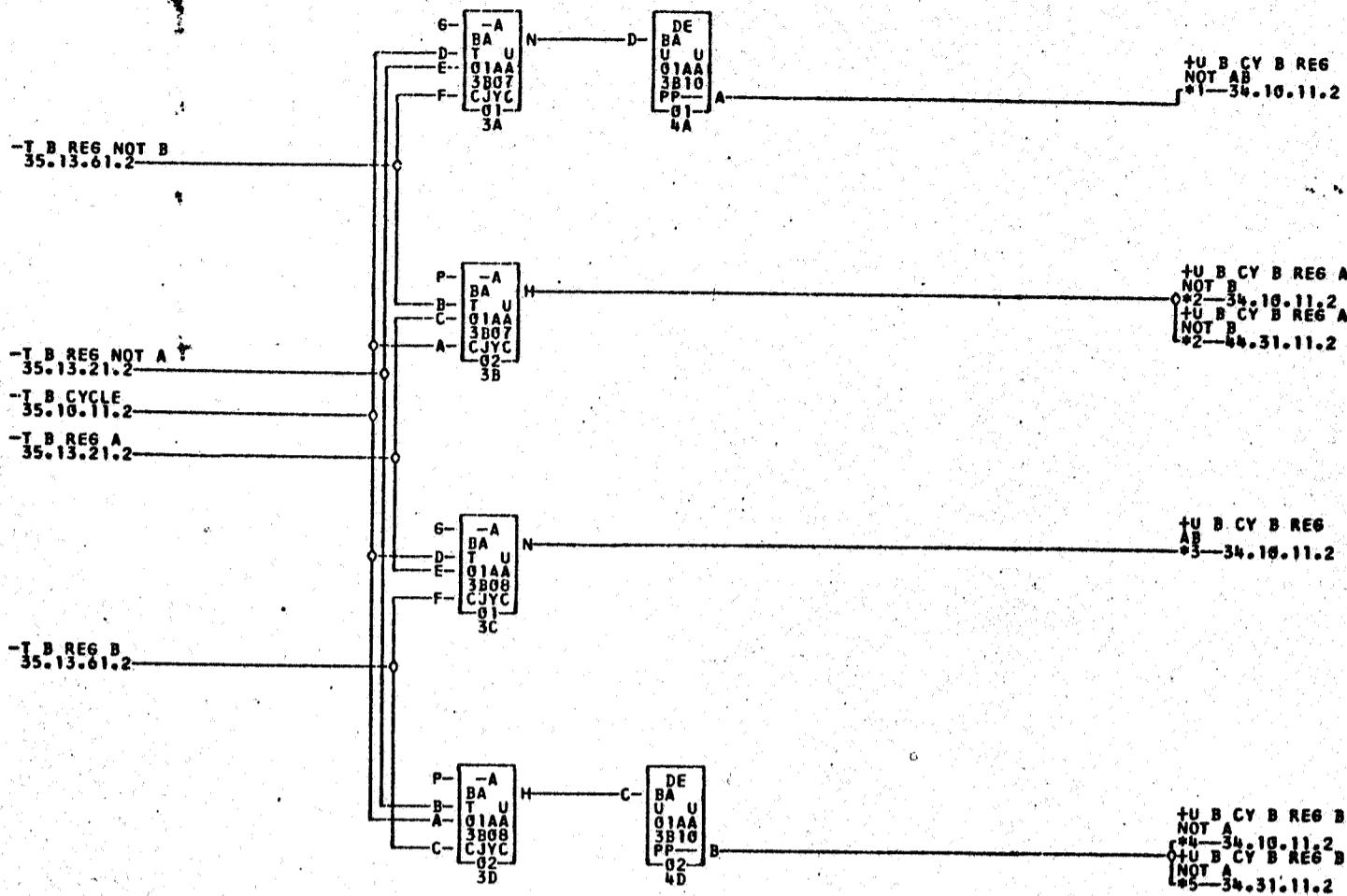
TAG DATE

A 5.4.62

TA 1233B

B 5.3.63

TA 1771A



- \*1-01A3E25H
- 01B6C02D
- \*2-01A3E25E
- 01B6D02B
- \*5-02A0C05A
- 02A8A25N
- \*3-01A3E25G
- 01B6D02N
- \*4-01A3E25F
- 01B6F01P
- 01B6B02R
- 01B3D03P
- 02A8A26K
- \*6-01A3B25E
- 02A2A26L
- 01B4E03P
- 02A8B19B

COMMENTS

| TAG DATE   | E.C.NO. | TAG DATE   | E.C.NO. | TAG DATE | E.C.NO. | TAG DATE | E.C.NO. |
|------------|---------|------------|---------|----------|---------|----------|---------|
| A 12-15-61 | 113530  | B 12-10-62 | 114177  |          |         |          |         |

728743