

6748732

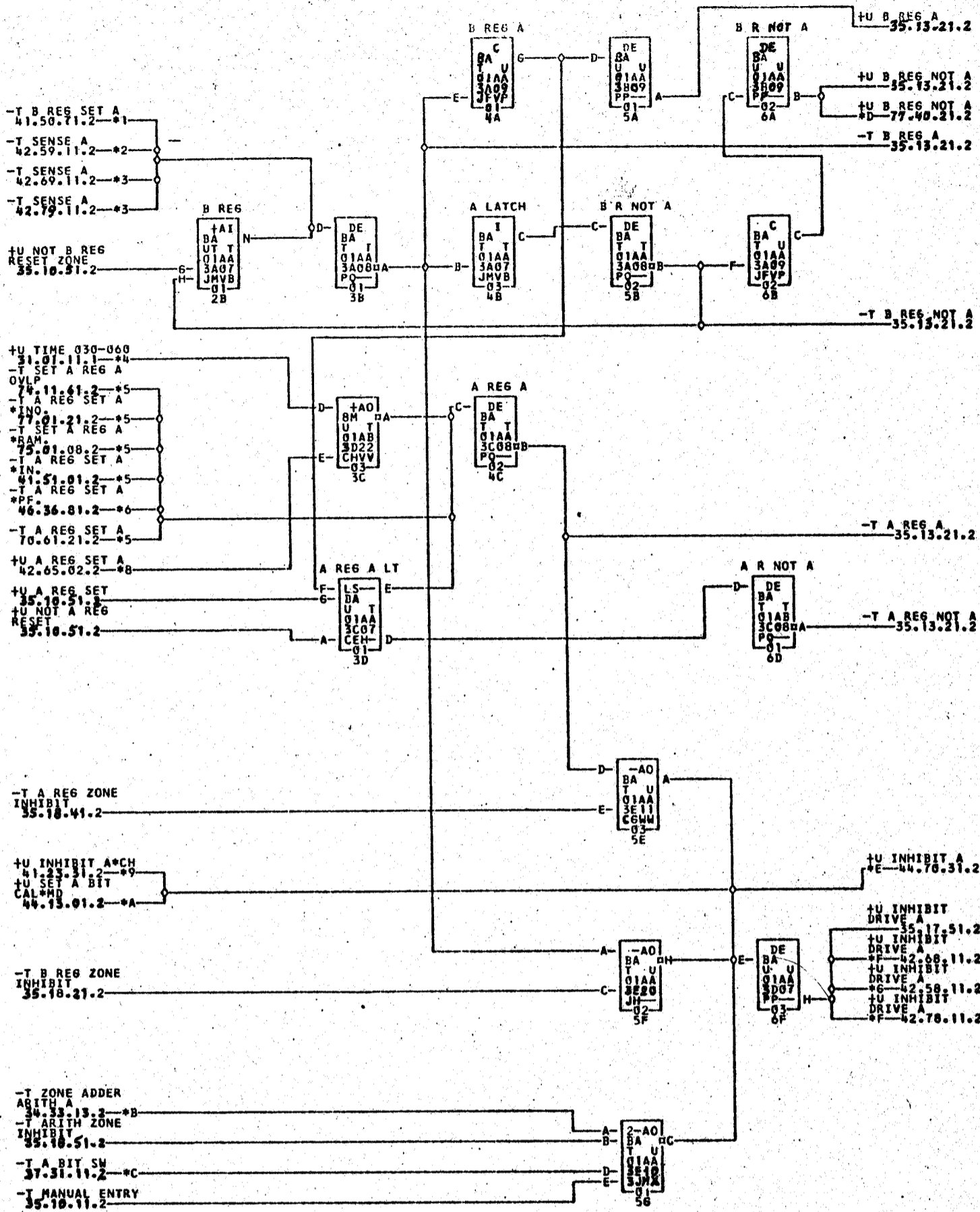
INHIBIT A

1401 BA 35.13.11.2

TAG DATE

A 5.4.62
TA 1233B

B 5.3.63
TA 1771A



- *1-01A3F23M
- *2-01A3A2M5
- *3-01A3F26E
- *4-01A3D25P
- *5-01A3F23E
- *6-01A3E20G
- *7-01A3F24E
- *8-01A3C23E
- *9-01A3D23B
- *A-01A3B23E
- *B-01A3C23E
- *C-01A3E20G
- *D-01A3C23E
- *E-01A3D23B
- *F-01A3F25D
- *G-06B7A08D
- *H-01B8A01A
- *I-01A3A25D
- *J-06B7A10E
- *K-01A3D23B
- *L-02A0C17B
- *M-01A1E01B
- *N-02B6F02B

COMMENTS

TAG DATE	F.C.NO.	TAG DATE	F.C.NO.	TAG DATE	E.C.NO.	TAG DATE	E.C.NO.
A 12-15-61	113530	B 12-16-62	116177				

B 1771A
 728432