

0728726

INHIBIT 2

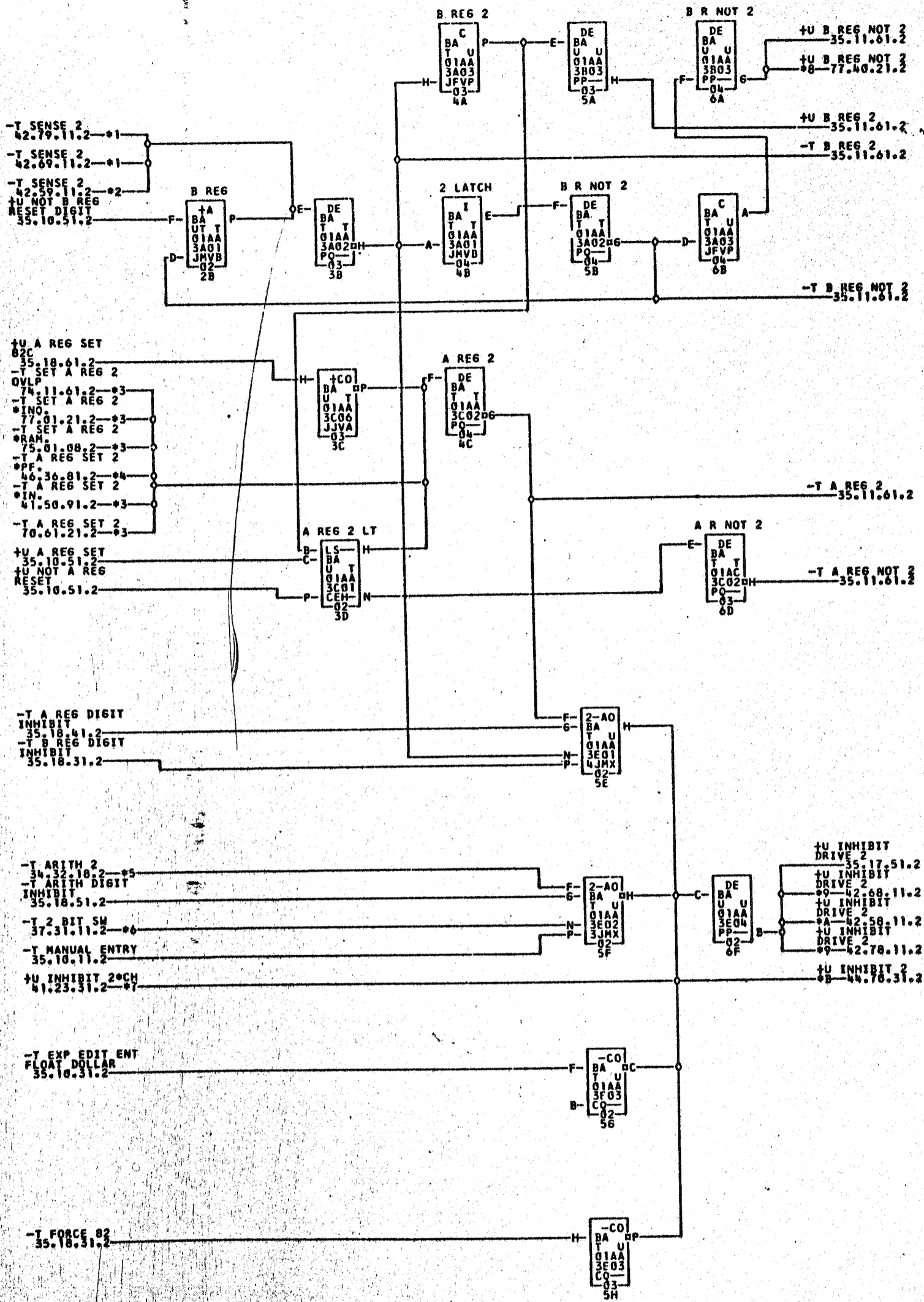
1401 BA

35.11.51.2

TAG DATE

B 10.5.62
TA 1233G

C 5.3.63
TA 1771A



*1-01A3F20C
*2-01A3E20B
*3-01A3A256

*4-06B7A10C
*5-01A3D23E
*6-01A1F016

*7-01A3A24C
*8-01A3C22B
*9-01A3D23E

*10-01A3E23B
*11-01B8A11P
*12-02A0D03B

*13-01A3E24B
*14-01A3E256
*15-02B6F02E

*16-01A3C25C
*17-06B7A086

COMMENTS

TAG DATE 12-15-61 FIG NO. 115530 TAG DATE 02-12-62 FIG NO. 116242 TAG DATE 12-10-62 FIG NO. 114177 TAG DATE E.C. NO.

728726