

+U STOP OVLP
74.21.21.2-01
-T STOP LATCH
GATE
36.50.11.2-02

-T TIME 090-000
31.12.21.2-03

+U SET START
INLK*INO
77.10.11.2-04

+U START RESET
31.02.31.2-05
+U NOT PR START
KEY
21.04.11.1-05

+U START KEY RP
N-C
11.03.11.1-06
+U NOT START
KEY CONSOLE
37.10.11.2-07

+U PR START KEY
21.04.11.2-08
+U START KEY RP
N-0
11.03.11.1-08

+U START KEY
37.10.11.2-09
+U NOT ENTER
KEY CONSOLE
37.31.11.2-0A

*-T START
37.41.12.2-0B

+U TIME 030-060
31.12.51.2-0C

+U CF + STL
BLOCK START LAY
46.51.41.2-0D
-T CONSOLE STOP
KEY
37.10.11.2-0E

-T PR STOP KEY
21.04.11.2-0F
-T STOP KEY R P
36.16.11.2-0F

*+U START
37.41.12.2-0G

+U TIME 030-000
31.12.01.2-0H

+U TIME 030-060
35.13.11.2-0N

+U TIME 030-060
31.03.11.2-0N

+U TIME 030-060
31.04.11.2-0N

-T START
31.02.11.2-0N

-T START
31.03.31.2-0N

-T START
36.02.11.2-0N

-T START
36.31.31.2-0N

+U START
LAT
74.31.51.2-0R

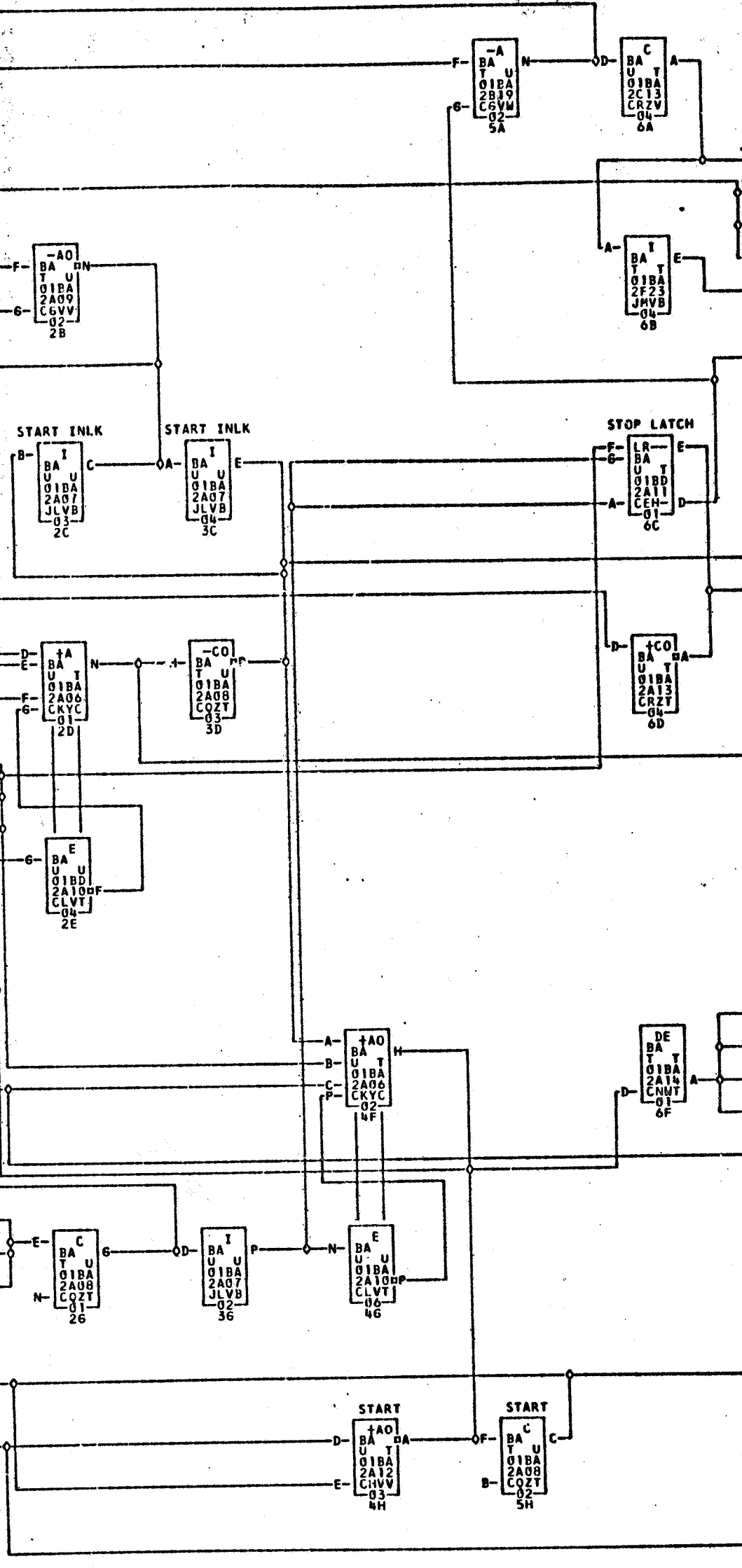
+U START LAT
05-42.06.03.2-0R

+U START LAT
07-37.31.21.2-0R

+U TIME 030-000
31.03.11.2-0R

+U TIME 030-000
31.09.11.2-0R

+U TIME 030-000
31.08.11.2-0R



NOTE 1
BA
01BB
2F10
CQV6
04
2J

- *1-01B2A05H
- *2-01B2A0NP
- *3-01B2F01F
- *4-01B80714
- *A-01B2F05R
- *5-01B2B01K
- *6-01B2A0ND
- *7-01B2F0NA
- *8-01B2B01M
- *9-01B2F0ND
- *B-01B2A0AH
- *C-01B2F01N
- *D-01B2D0OQ
- *E-01B2F0NK
- *F-01B2B01L
- *G-01B2E0SA
- *H-01B2F01C
- *J-01B2F02Q
- *K-01B2F01F
- *L-01B2A0NE
- *M-01B2E03N
- *N-01B6E01N
- *O-01B6C030
- *P-01B2D0NP
- *Q-01B4B01C
- *R-01B2B01B
- *S-01B2E0SA
- *T-01B2F03R
- *U-01B2D0SF
- *V-01A3D25P
- *W-01B2B018
- *X-01A2A11R
- *Y-02A0A11A
- *Z-02B1C03F
- *AA-01A7D26Q
- *AB-01B6E01N
- *AC-01B4B01C
- *AD-01B2E05A
- *AE-06B7A12A

COMMENTS
NOTE 1 THIS CIRCUIT RESERVED FOR R AND S RPO
NOTE 2 WHEN A SIGNAL IS PRECEDED BY AN ASTERISK, ITS EXPANSION INDICATES CABLE WIRING FOR REMOTE RECYCLE CONTROL INSTALLATION.

TAG DATE	E.C.NO.	TAG DATE	E.C.NO.	TAG DATE	E.C.NO.	TAG DATE	E.C.NO.
A 12-15-61	113530	B 05-03-62	116141	C 10-23-62	116164	D 12-10-62	116178

729051