

METR
R-S
*
*
01AF
6C23
USED
01
6H

FILT
PF
*
*
01AA
6A12
6J
01
2J

FILT
PF
*
*
01AA
6A12
6J
01
3J

RPO
*
*
01AF
6C21
USED
01
4J

RPO
*
*
01AF
6D21
USED
01
5J

METR
PF
*
*
01AF
6C22
USED
01
6J

*1-01A6F24S
*2-01A6C25H
*3-01A6E26N

*4-01A6F20R
*5-01A6C25B
*6-01A6E24G

*7-01A6A25P
*8-01A6E24J
*9-06B7A14G

*10-01A6F24F
*11-06B7A14J
*12-01A6D24H

*13-01A6C25K
*14-06B4F81J
*15-01A6F25R

*16-01A6E26A
*17-01A6F24A

COMMENTS

TAG DATE	E.C.NO.	TAG DATE	E.C.NO.	TAG DATE	E.C.NO.	TAG DATE	E.C.NO.
12-18-61	113530	02-28-62	114231	06-04-62	114167	10-17-62	114167
12-19-62	114177B	09-16-63	118575B				

728798

B 4.10.62
TA 1567A

C 16.4.63
TA 1815A

01A6
CONN
BA
01BA
4A01
01
2B

01B3
CONN
BA
01BA
4A02
01
3B

01A2
CONN
BA
01BA
4A03
01
4B

01B2
CONN
BA
01BA
4B01
01
2C

01B6
CONN
BA
01BA
4B02
01
3C

01B7
CONN
BA
01BA
4B03
01
4C

1402
CONN
BA
01BA
4C01
01
2D

1402
CONN
BA
01BA
4C02
01
3D

01B7
CONN
BA
01BA
4C03
01
4D

NOTE 1

01B7
CONN
OPT
01BA
4C04
01
5D

1402
CONN
BA
01BA
4D01
01
2E

1402
CONN
BA
01BA
4D02
01
3E

01B1
CONN
BA
01BA
4D03
01
4E

1FC
CONN
OVL P
01BA
4D04
01
5E

01B2
CONN
BA
01BA
4E01
01
2F

01A3
CONN
BA
01BA
4E02
01
3F

01B6
CONN
BA
01BA
4E03
01
4F

1FC
CONN
CF
01BA
4E04
01
5F

NOTE 2

01B7
CONN
BA
01BA
4F01
01
26

1FC
CONN
CF
01BA
4F02
01
36

1FC
CONN
OPT
01BA
4F03
01
46

1FC
CONN
OVL P
01BA
4F04
01
56

COMMENTS
NOTE 1-THIS CABLE NECESSARY IF EITHER
PCM FD RD OR CARD FEED-1404 IS PRESENT.
NOTE 2-THIS CABLE NECESSARY IF EITHER
PROC OVL P COL BIN OR CARD FEED-1404
IS PRESENT.

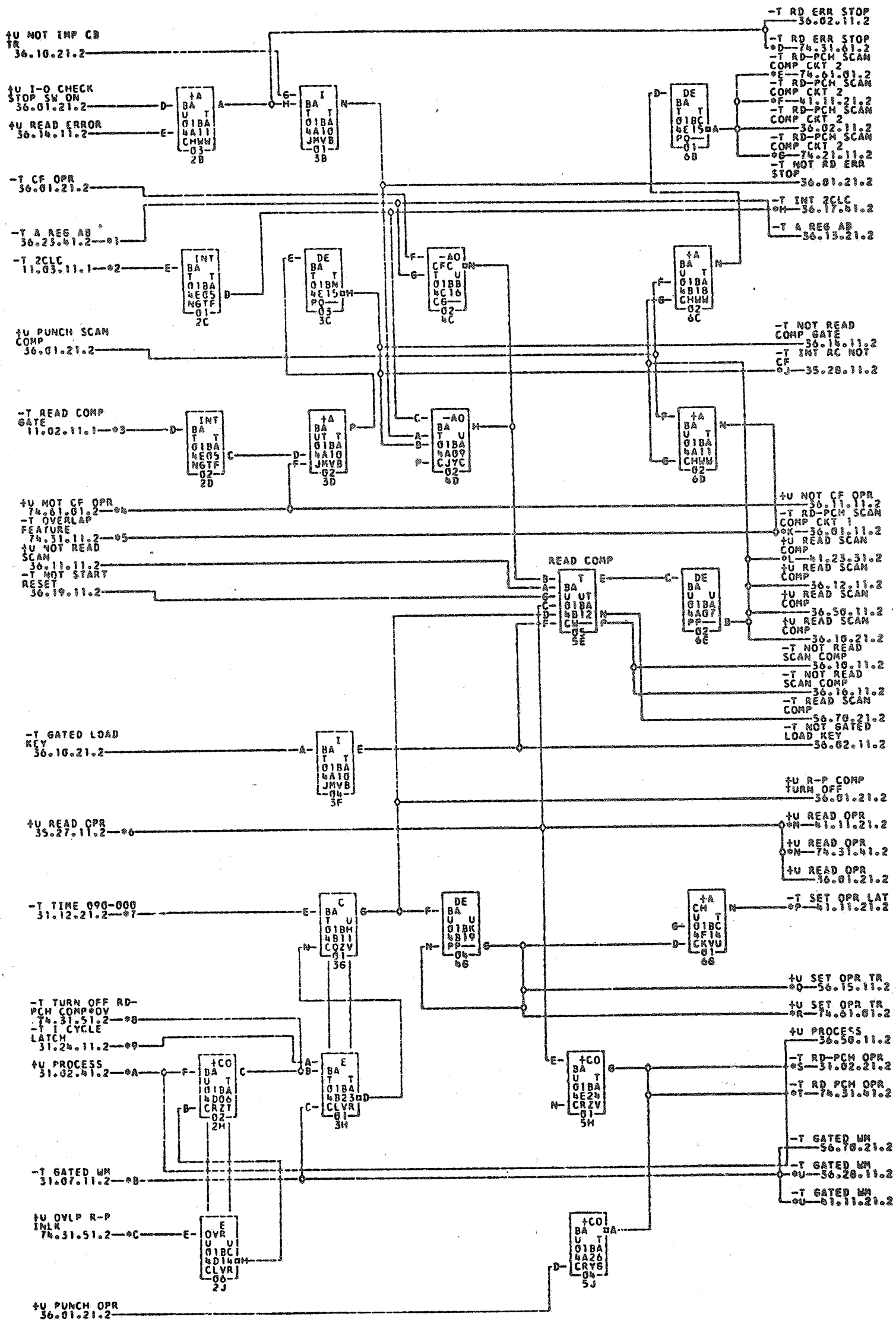
TAG DATE E.C.NO. TAG DATE E.C.NO. TAG DATE E.C.NO. TAG DATE E.C.NO.
A 03-06-62 114232A B 06-04-62 114140A C 01-17-63 116787

1815 A
724752

N 25.7.63
TA 1859Q

P 12.9.63
TA 1947A

28.11.63
TA 1947C



*1-01B4C04G	*2-01B4C01A	*3-01B4C01H	*4-01B4F03C	*5-01B4D04A	*6-02A0A05D
*7-02R1B02A	*8-01B4D03G	*9-01B4A02A	*10-01B4D04O	*11-01B4B01R	*12-01B4E01B
*13-01B4B01F	*14-01B4D04R	*15-01B4F04H	*16-02A9A07C	*17-02B1D01B	*18-01B4F03E
*19-02A9D03C	*20-02B8D04C	*21-01B4F03E	*22-02A9D03C	*23-01B4D03F	*24-01B1D02P
*25-02A0C03C	*26-02B1F02R	*27-01B4C03O	*28-01B7A01O	*29-02B8F02E	*30-01B4F03R
*31-01B4A01R	*32-01A6F26R	*33-01B4F02E	*34-02A9E03C	*35-02B1D02M	*36-01B4F02G
*37-02A9E05C	*38-02B8F02R	*39-01B4F03R	*40-01B4B03P	*41-02B1D02N	*42-02A9A15A
*43-02A9D07B	*44-02B8F01G	*45-01B4B03P	*46-01B7B01P	*47-01B4E04M	*48-02B1B02F
*49-02B8D03H	*50-01B4B01G	*51-01B7A04G	*52-01B4D04F	*53-02A0A15D	
*54-01B4C03F	*55-01B7A01F	*56-01B7D01C	*57-02A9C19E	*58-02B8E01P	

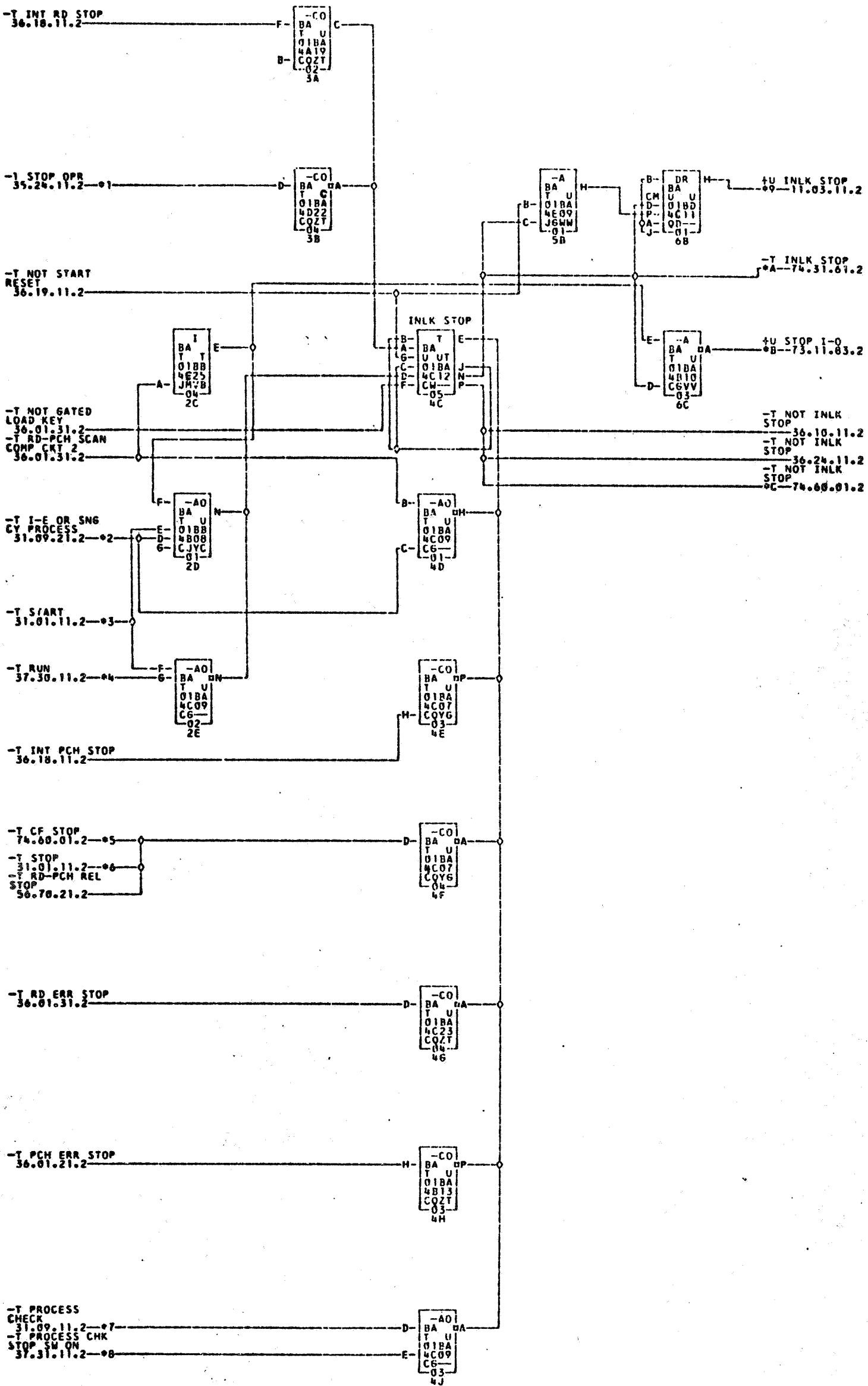
COMMENTS

TAG DATE	E.C.NO.	TAG DATE	E.C.NO.	TAG DATE	E.C.NO.	TAG DATE	E.C.NO.
A 12-06-61	112269F	R 01-10-62	113530A	G 02-14-62	114242A	D 03-06-62	114232A
J 05-18-62	115303	F 07-26-62	116228	G 10-25-62	116727	H 01-17-63	116787
J 02-12-63	117138	K 03-28-63	117148A	L 04-08-63	117268	M 05-15-63	117646
N 06-05-63	117958	P 06-13-63	117964				

72647
1947C

C 7.2.63
TA 1735A

D 16.4.63
TA 1815A



- *1-01B4D03J
- *2-01B4E01C
- *3-01B4B01C
- *4-01B4A03R
- *5-01B4F040
- *6-01B4B01E
- *7-01B4B01H
- *8-01B4A03Q
- *9-01B4C02B
- *A-01B4F040
- *B-02A9A01D
- *C-01B4E04D
- *D-02B8D03D

724648

COMMENTS TAG DATE E.C.NO. TAG DATE E.C.NO. TAG DATE E.C.NO. TAG DATE E.C.NO.

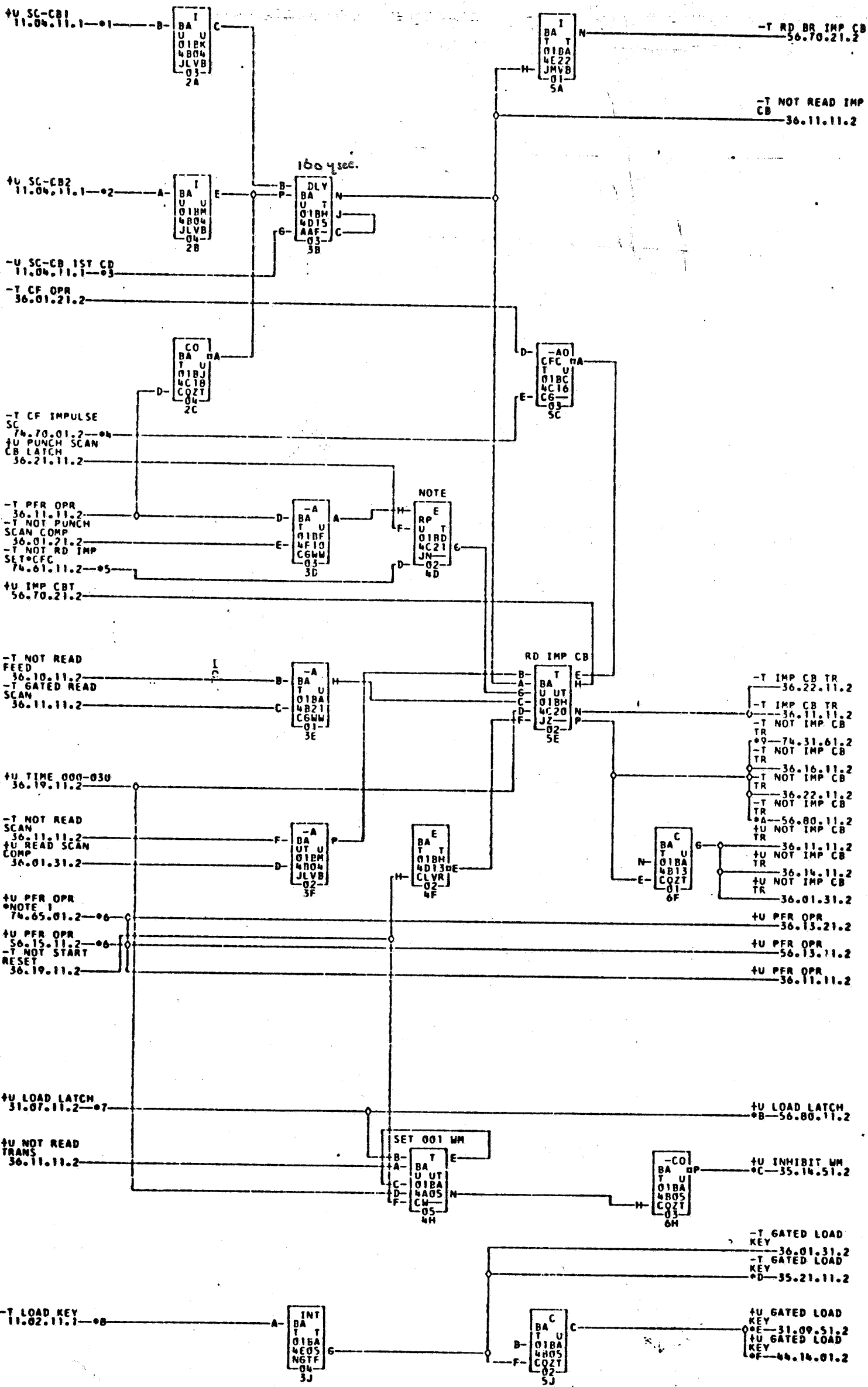
A 12-06-61 112269F B 12-20-61 112269G C 10-25-62 116727 D 01-17-63 116787

L 25.7.63
TA 18590

M 12.9.63
TA 1947A

36.70.21.2

36.11.11.2



- *1-01B4C01F
- *2-01B4C01K
- *3-01B4C01J
- *4-01B4E04A
- *5-01B4E04C
- *6-01B4F010
- *7-01B4B01J
- *8-01B4C01N
- *9-01B4F04L
- *0-02A9A13C
- *1-02B1F02L
- *2-01B4F010
- *3-01B7A01K
- *4-01B7D02N
- *5-01A8F24N
- *6-01B4C03L
- *7-01B7A01L
- *8-01A8E02A
- *9-01A3A23A
- *0-01B4D03R
- *1-01B1D02R
- *2-01B7D02R
- *3-01B4B01K
- *4-01B2A04K
- *5-01B2A030
- *6-02A9F17C
- *7-02B7E010

724650
1947A

COMMENTS: NOTE 1-LOGIC DIAGRAM IF THE CARD FEED COMP CFC FEATURE IS PRESENT BUT NOT THE PUNCH FEED RP FEATURE

TAG DATE	E.C.NO.	TAG DATE	E.C.NO.	TAG DATE	E.C.NO.	TAG DATE	E.C.NO.
A 12-06-61	112269F	D 12-20-61	112269G	G 01-16-62	114530A	I 02-14-62	114242A
E 05-24-62	115316	F 06-04-62	114140A	H 07-26-62	116228	J 01-17-63	116797
J 03-28-63	117148A	K 04-04-63	117240	L 05-13-63	117644	M 06-13-63	117964

0724652

SET UP ADDR CONTROL

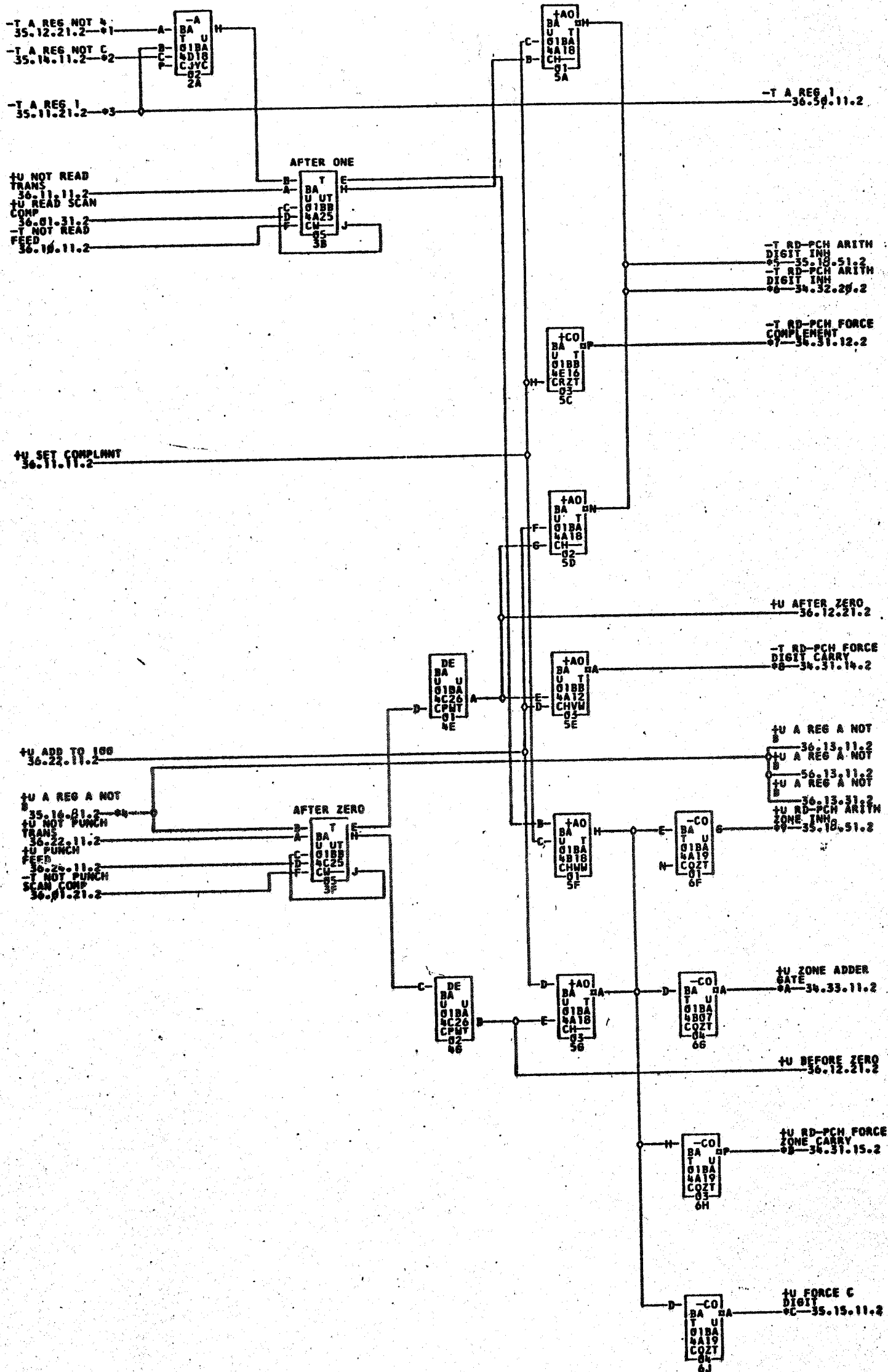
1401

36.12.11.2

TAG DATE

C 16 .4.63
TA 1815A

D 18.6.63
TA 1859



- *1 - 01B4E02R
- *2 - 01B4E03G
- *3 - 01B4E03A
- *4 - 01B4E03P
- *5 - 01B4E02E
- = 01A3A23E
- *6 - 01B4E02J
- *7 - 01B4A02P
- *8 - 01B3C03P
- *9 - 01B4A02M
- = 01B3C03R
- *10 - 01B4E01N
- = 01A3A23F
- *11 - 01B2D04F
- = 01A3D25F

724652
1859

COMMENTS

TAG DATE	F.C. NO.	TAG DATE	F.C. NO.	TAG DATE	F.C. NO.	TAG DATE	F.C. NO.
A 12-06-61	112269F	B 01-16-62	113330A	C 01-17-63	116787	D 02-12-63	119138

0724653

SET UP A REG CONTROL

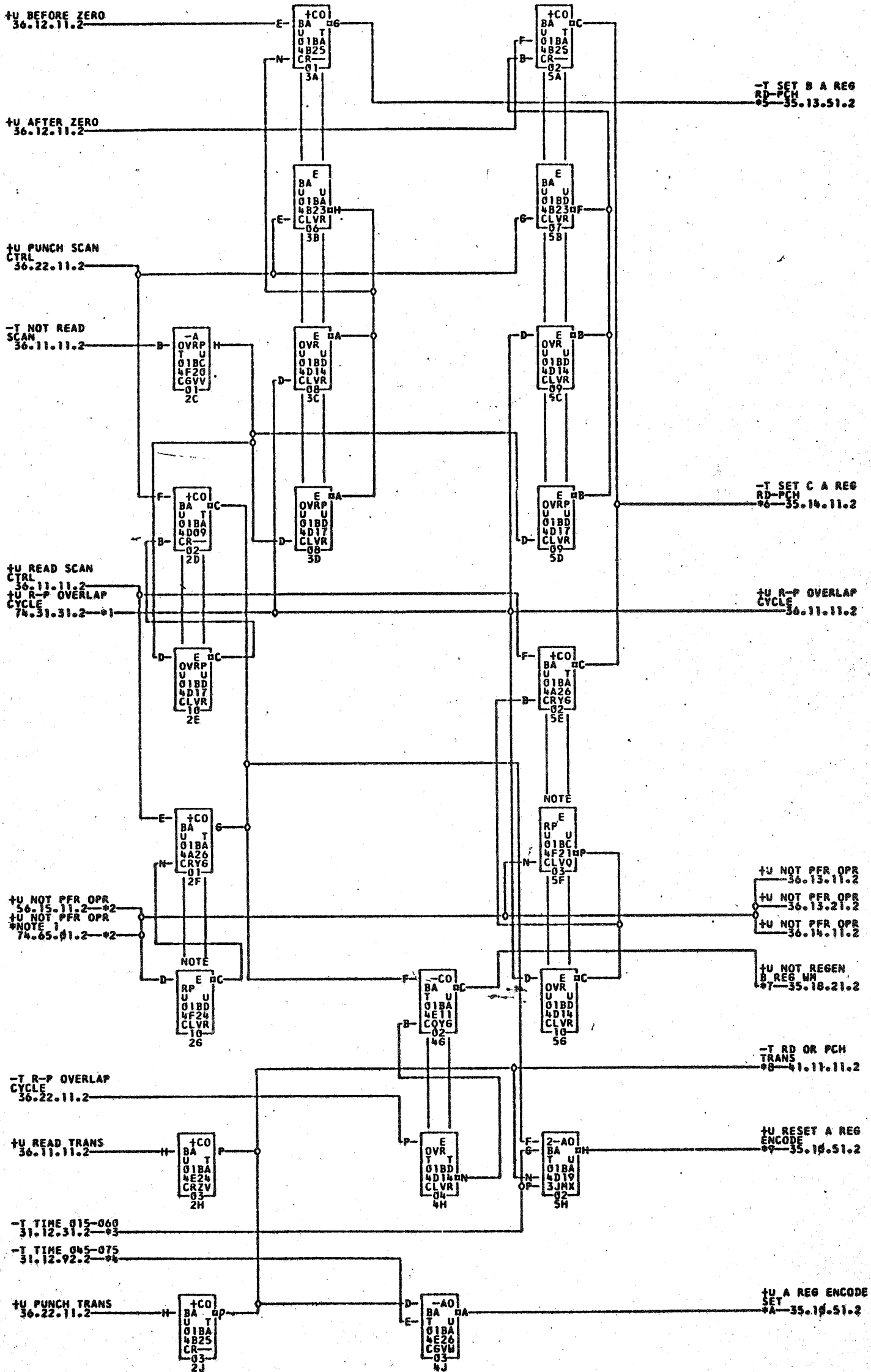
1401

36.12.21.2

TAG DATE

D 16.4.63
TA 1815A

E 18.6.63
TA 1859



- *1-01B4D04K *2-01B4F01P *3-01B4A02F *4-01B4A026 *5-01B4E01N *6-01B2B04N
- 01B2D04S 01A3D256 *6-01B4E02A 01A3A23R *7-01B4E01B 01B2A04B
- 01B2D03L 01A3D24L *8-01B4F03A 02A9C15C *8-02B0F02A *9-01B4E026
- 01A3A236 *A-01B4E02H 01A3A23H

NOTE 1-LOGIC DIAGRAM IF THE CARD FEED COMP CFC FEATURE IS PRESENT BUT NOT THE PUNCH FEED READ UP FEATURE
 NOTE-THE CARD MUST BE PRESENT IF EITHER THE PUNCH FEED READ UP OR THE CARD FEED COMP CFC FEATURE IS PRESENT

TAG DATE E.C.NO. TAG DATE E.C.NO. TAG DATE E.C.NO. TAG DATE E.C.NO.
 A 12-06-63 112259F B 01-25-62 115830A C 02-14-62 114242A D 01-17-63 116787

724653

0724654

ENCODER

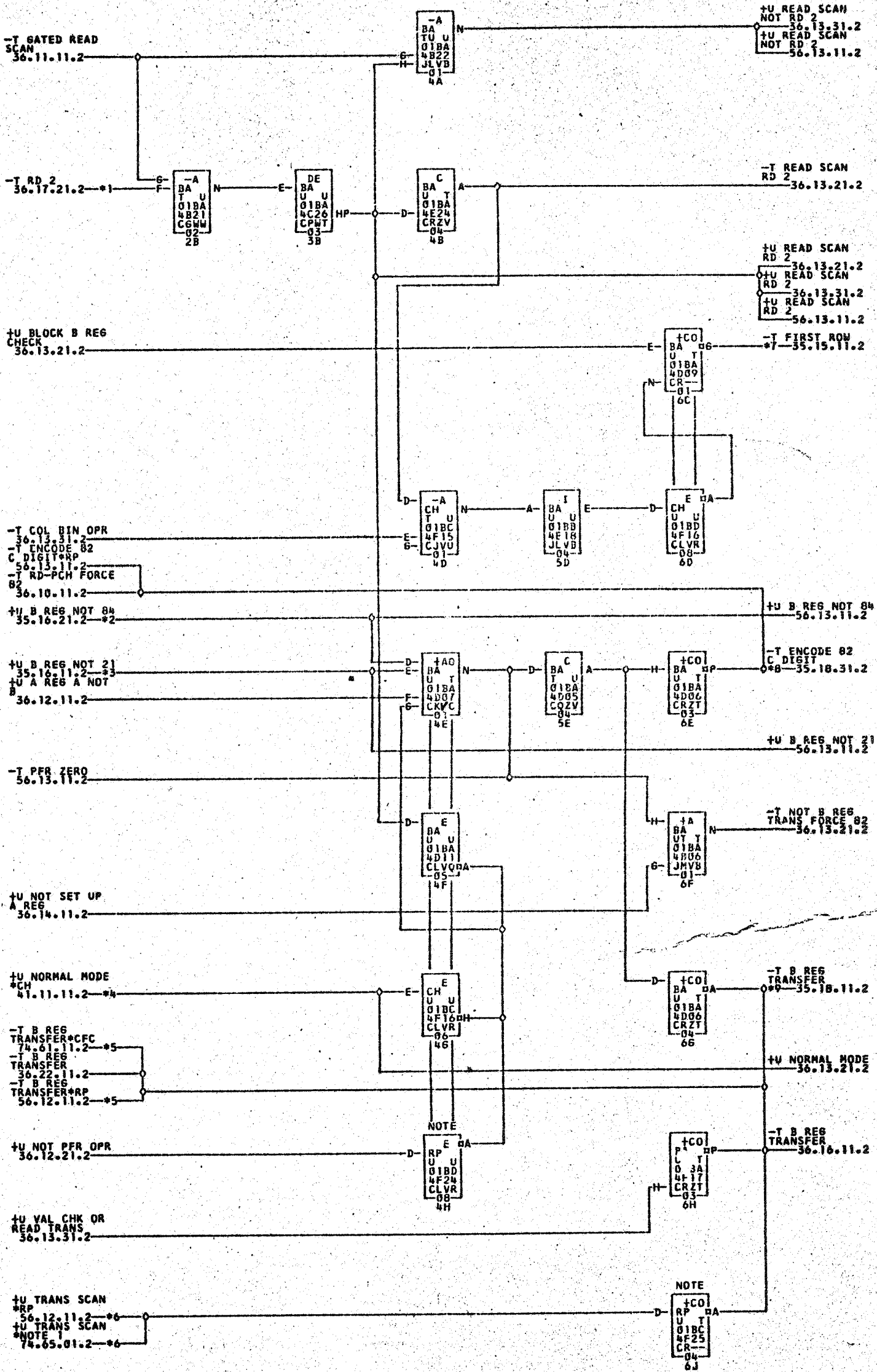
1401

36.13.11.2

TAG DATE

SC 28.5.62
TA 1344

D 16.4.63
TA 1815A



*1-01B4E03L
*7-01B4E02J

*2-01B4E03J
*8-01A3A23J

*3-01B4E03N
*8-01B4E02K

*4-01B4F02L
*9-01A3A23K

*5-01B4F01C
*9-01B4E02N

*6-01B4A01A
*9-01A3A23N

COMMENTS
 NOTE 1-LOGIC DIAGRAM IF THE CARD FEED COMP CFC FEATURE IS PRESENT BUT NOT THE PUNCH FEED READ RP FEATURE
 NOTE 2-THE CARD MUST BE PRESENT IF EITHER THE PUNCH FEED READ RP OR THE CARD FEED COMP CFC FEATURE IS PRESENT

TAG DATE E.C.NO. A 12-06-61 112249F

TAG DATE E.C.NO. B 12-20-61 112249G

TAG DATE E.C.NO. C 02-14-62 114242A

TAG DATE E.C.NO. D 01-17-63 116787

724654

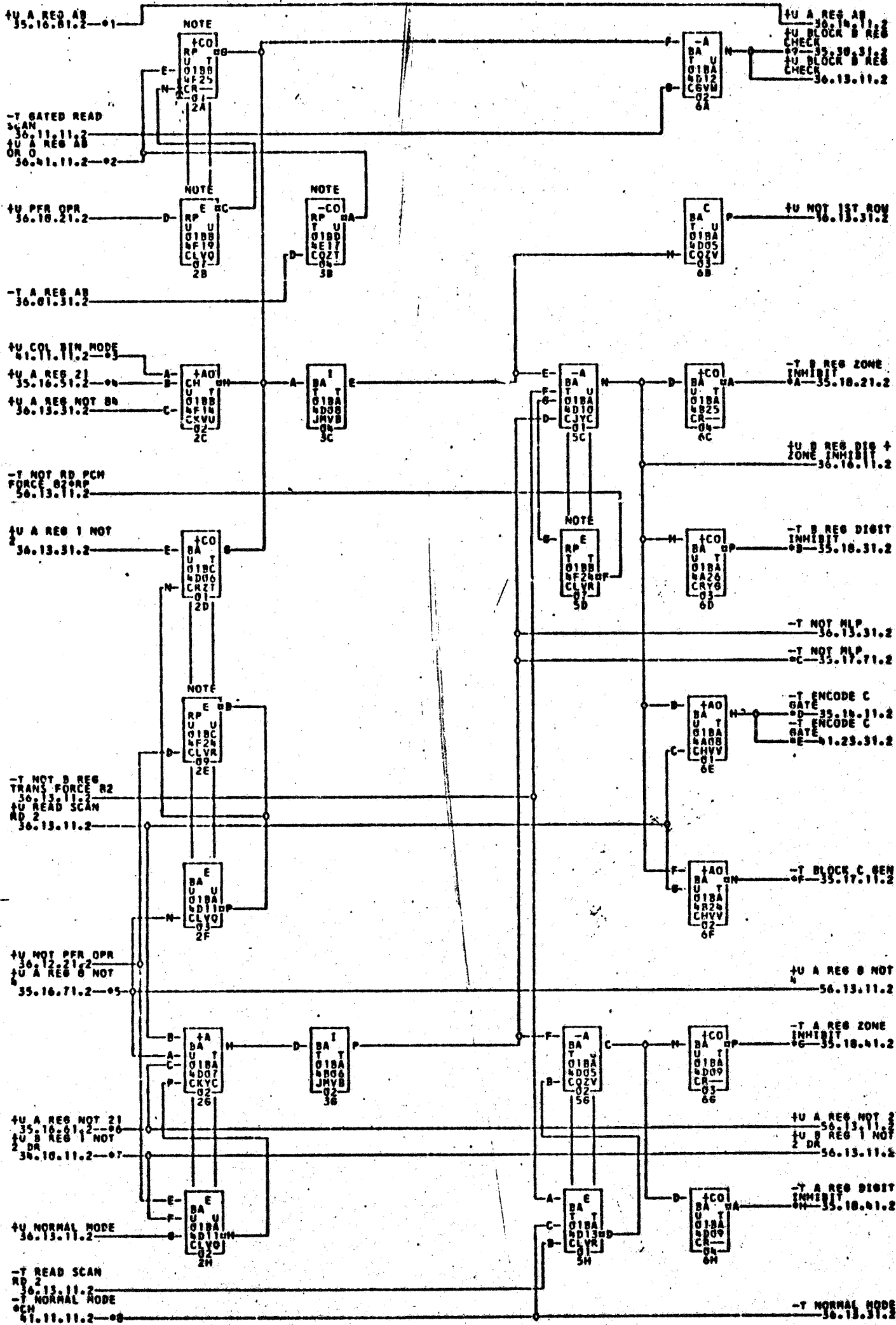
0724655

ENCODER

1401

36.13.21.2

TAG DATE



C 18.4.63
 TA 1815A
 D 18.6.63
 TA 1859

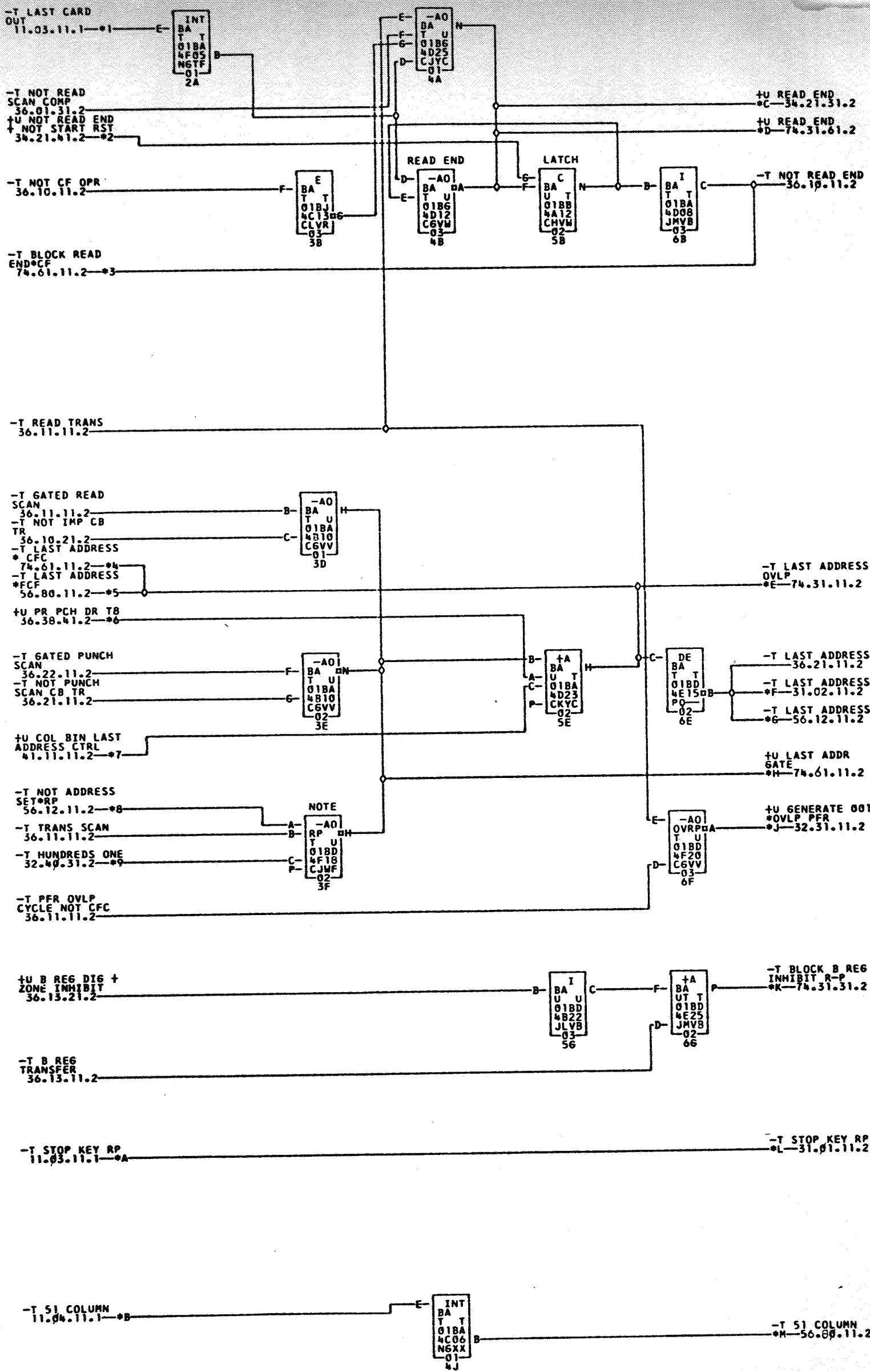
- 01-01BNE03L
- 02-01BNE03L
- 03-01BNE03L
- 04-01BNE03L
- 05-01BNE03L
- 06-01BNE03L
- 07-01BNE03L
- 08-01BNE03L
- 09-01BNE03L
- 10-01BNE03L
- 11-01BNE03L
- 12-01BNE03L
- 13-01BNE03L
- 14-01BNE03L
- 15-01BNE03L
- 16-01BNE03L
- 17-01BNE03L
- 18-01BNE03L
- 19-01BNE03L
- 20-01BNE03L
- 21-01BNE03L
- 22-01BNE03L
- 23-01BNE03L
- 24-01BNE03L
- 25-01BNE03L
- 26-01BNE03L
- 27-01BNE03L
- 28-01BNE03L
- 29-01BNE03L
- 30-01BNE03L
- 31-01BNE03L
- 32-01BNE03L
- 33-01BNE03L
- 34-01BNE03L
- 35-01BNE03L
- 36-01BNE03L
- 37-01BNE03L
- 38-01BNE03L
- 39-01BNE03L
- 40-01BNE03L
- 41-01BNE03L
- 42-01BNE03L
- 43-01BNE03L
- 44-01BNE03L
- 45-01BNE03L
- 46-01BNE03L
- 47-01BNE03L
- 48-01BNE03L
- 49-01BNE03L
- 50-01BNE03L
- 51-01BNE03L
- 52-01BNE03L
- 53-01BNE03L
- 54-01BNE03L
- 55-01BNE03L
- 56-01BNE03L
- 57-01BNE03L
- 58-01BNE03L
- 59-01BNE03L
- 60-01BNE03L

NOTE-THIS CARD MUST BE PRESENT IF EITHER THE PUNCH FEED READ UP OR THE CARD FEED COMP CFC FEATURE IS PRESENT

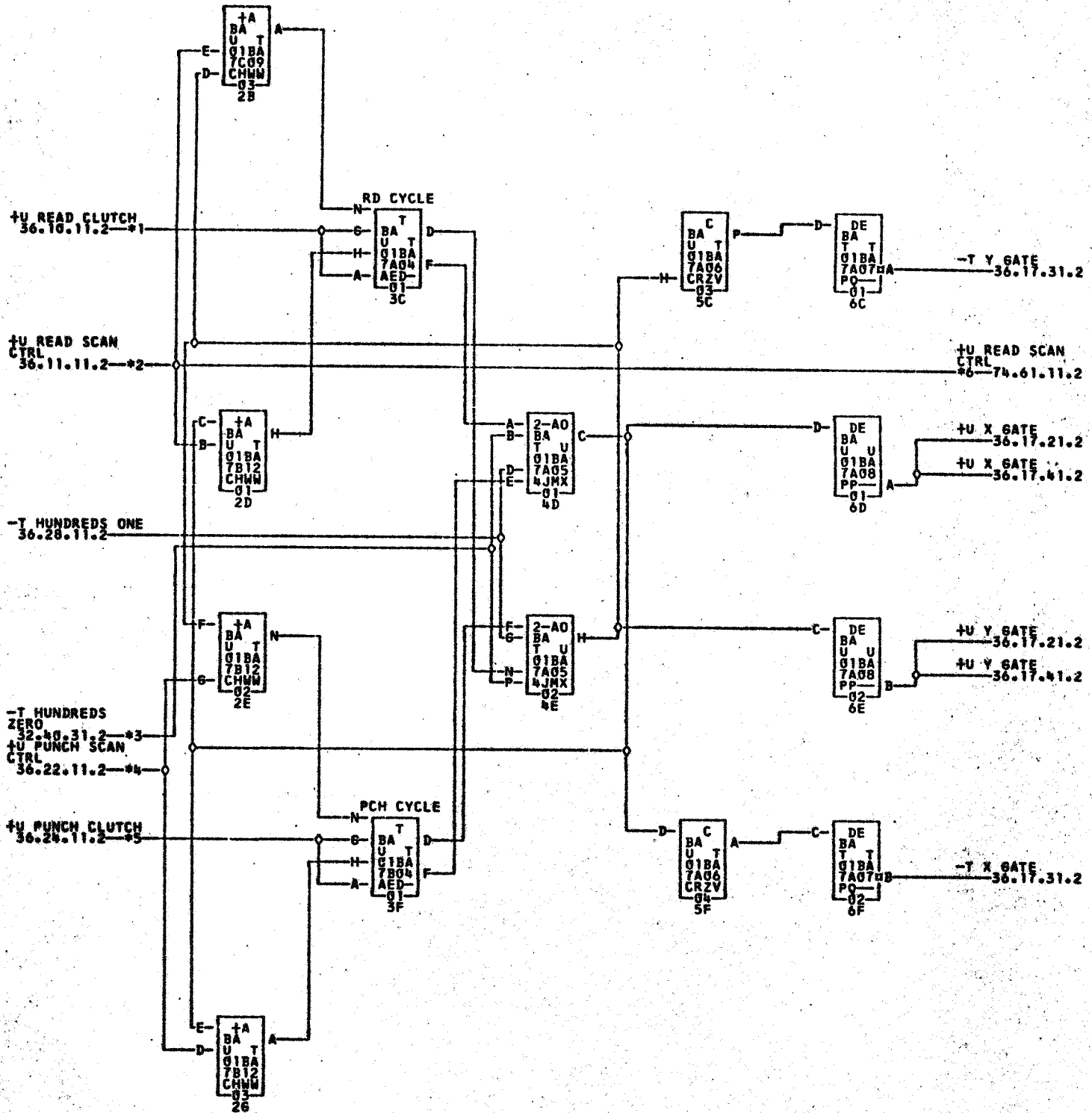
COMMENTS

TAG DATE FIG NO TAG DATE FIG NO TAG DATE FIG NO TAG DATE FIG NO
 A 12-06-61 112269F B 02-14-62 116242A C 01-17-63 118789D D 02-12-63 119138E

724655
1859



- *1-01B4C01R
- *2-01B4E03F
- *3-01B4E04G
- *4-01B4F03M
- *5-01B4A01N
- *6-01B4B03N
- *7-01B4F02H
- *8-01B4B03M
- *9-01B4F01A
- *A-01B4C02C
- *B-01B4C01D
- *C-01B4B02A
- *D-01B4F04P
- *E-01B4F03M
- *F-01B4B01N
- *G-01B4C04C
- *H-01B4E04K
- *I-01B4D04E
- *J-01B4A01G
- *K-01A6F266
- *L-01B4A01H
- *M-01A6C26R
- *N-01B4A01Q
- *O-02A9A19C
- *P-01B2A04N
- *Q-02B8D03K
- *R-01A6F266
- *S-01A6C26R
- *T-02A0A13D
- *U-01A6F26Q
- *V-01A7D25R
- *W-01A7D25R
- *X-02A9A19A
- *Y-01A7D25L
- *Z-01A6E26L
- *AA-01A7B23B
- *AB-01B4C02C
- *AC-02B1F02P
- *AD-01B7C01C
- *AE-01A6C26L
- *AF-01A6F26H
- *AG-01A7D25R
- *AH-01B4E04K
- *AI-01A7D25L
- *AJ-01A6E26L
- *AK-01A7B23B
- *AL-01B4E04K
- *AM-01A7D25L
- *AN-01A6E26L
- *AO-01A7B23B
- *AP-01B4C02C
- *AQ-02B1F02P
- *AR-01B7C01C
- *AS-01A6C26L
- *AT-01A6F26H
- *AU-01A7D25R
- *AV-01B4E04K
- *AW-01A7D25L
- *AX-01A6E26L
- *AY-01A7B23B
- *AZ-01B4C02C
- *BA-02B1F02P
- *BB-01B7C01C
- *BC-01A6C26L
- *BD-01A6F26H
- *BE-01A7D25R
- *BF-01B4E04K
- *BG-01A7D25L
- *BH-01A6E26L
- *BI-01A7B23B
- *BJ-01B4C02C
- *BK-02B1F02P
- *BL-01B7C01C
- *BM-01A6C26L
- *BN-01A6F26H
- *BO-01A7D25R
- *BP-01B4E04K
- *BQ-01A7D25L
- *BR-01A6E26L
- *BS-01A7B23B
- *BT-01B4C02C
- *BU-02B1F02P
- *BV-01B7C01C
- *BW-01A6C26L
- *BX-01A6F26H
- *BY-01A7D25R
- *BZ-01B4E04K
- *CA-01A7D25L
- *CB-01A6E26L
- *CC-01A7B23B
- *CD-01B4C02C
- *CE-02B1F02P
- *CF-01B7C01C
- *CG-01A6C26L
- *CH-01A6F26H
- *CI-01A7D25R
- *CJ-01B4E04K
- *CK-01A7D25L
- *CL-01A6E26L
- *CM-01A7B23B
- *CN-01B4C02C
- *CO-02B1F02P
- *CP-01B7C01C
- *CQ-01A6C26L
- *CR-01A6F26H
- *CS-01A7D25R
- *CT-01B4E04K
- *CU-01A7D25L
- *CV-01A6E26L
- *CW-01A7B23B
- *CX-01B4C02C
- *CY-02B1F02P
- *CZ-01B7C01C
- *DA-01A6C26L
- *DB-01A6F26H
- *DC-01A7D25R
- *DD-01B4E04K
- *DE-01A7D25L
- *DF-01A6E26L
- *DG-01A7B23B
- *DH-01B4C02C
- *DI-02B1F02P
- *DJ-01B7C01C
- *DK-01A6C26L
- *DL-01A6F26H
- *DM-01A7D25R
- *DN-01B4E04K
- *DO-01A7D25L
- *DP-01A6E26L
- *DQ-01A7B23B
- *DR-01B4C02C
- *DS-02B1F02P
- *DT-01B7C01C
- *DU-01A6C26L
- *DV-01A6F26H
- *DV-01A7D25R
- *DW-01B4E04K
- *DX-01A7D25L
- *DY-01A6E26L
- *DZ-01A7B23B
- *EA-01B4C02C
- *EB-02B1F02P
- *EC-01B7C01C
- *ED-01A6C26L
- *EE-01A6F26H
- *EF-01A7D25R
- *EG-01B4E04K
- *EH-01A7D25L
- *EI-01A6E26L
- *EJ-01A7B23B
- *EK-01B4C02C
- *EL-02B1F02P
- *EM-01B7C01C
- *EN-01A6C26L
- *EO-01A6F26H
- *EP-01A7D25R
- *EQ-01B4E04K
- *ER-01A7D25L
- *ES-01A6E26L
- *ET-01A7B23B
- *EU-01B4C02C
- *EV-02B1F02P
- *EW-01B7C01C
- *EX-01A6C26L
- *EY-01A6F26H
- *EZ-01A7D25R
- *FA-01B4E04K
- *FB-01A7D25L
- *FC-01A6E26L
- *FD-01A7B23B
- *FE-01B4C02C
- *FF-02B1F02P
- *FG-01B7C01C
- *FH-01A6C26L
- *FI-01A6F26H
- *FJ-01A7D25R
- *FK-01B4E04K
- *FL-01A7D25L
- *FM-01A6E26L
- *FN-01A7B23B
- *FO-01B4C02C
- *FP-02B1F02P
- *FQ-01B7C01C
- *FR-01A6C26L
- *FS-01A6F26H
- *FT-01A7D25R
- *FU-01B4E04K
- *FV-01A7D25L
- *FV-01A6E26L
- *FW-01A7B23B
- *FX-01B4C02C
- *FY-02B1F02P
- *FZ-01B7C01C
- *GA-01A6C26L
- *GB-01A6F26H
- *GC-01A7D25R
- *GD-01B4E04K
- *GE-01A7D25L
- *GF-01A6E26L
- *GG-01A7B23B
- *GH-01B4C02C
- *GI-02B1F02P
- *GJ-01B7C01C
- *GK-01A6C26L
- *GL-01A6F26H
- *GM-01A7D25R
- *GN-01B4E04K
- *GO-01A7D25L
- *GP-01A6E26L
- *GQ-01A7B23B
- *GR-01B4C02C
- *GS-02B1F02P
- *GT-01B7C01C
- *GU-01A6C26L
- *GV-01A6F26H
- *GV-01A7D25R
- *GW-01B4E04K
- *GX-01A7D25L
- *GY-01A6E26L
- *GZ-01A7B23B
- *HA-01B4C02C
- *HB-02B1F02P
- *HC-01B7C01C
- *HD-01A6C26L
- *HE-01A6F26H
- *HE-01A7D25R
- *HF-01B4E04K
- *HG-01A7D25L
- *HG-01A6E26L
- *HH-01A7B23B
- *HI-01B4C02C
- *HI-02B1F02P
- *HJ-01B7C01C
- *HK-01A6C26L
- *HL-01A6F26H
- *HL-01A7D25R
- *HM-01B4E04K
- *HN-01A7D25L
- *HO-01A6E26L
- *HO-01A7B23B
- *HP-01B4C02C
- *HP-02B1F02P
- *HQ-01B7C01C
- *HR-01A6C26L
- *HS-01A6F26H
- *HS-01A7D25R
- *HT-01B4E04K
- *HT-01A7D25L
- *HT-01A6E26L
- *HT-01A7B23B
- *HU-01B4C02C
- *HU-02B1F02P
- *HV-01B7C01C
- *HV-01A6C26L
- *HV-01A6F26H
- *HV-01A7D25R
- *HW-01B4E04K
- *HW-01A7D25L
- *HW-01A6E26L
- *HW-01A7B23B
- *HX-01B4C02C
- *HX-02B1F02P
- *HY-01B7C01C
- *HZ-01A6C26L
- *HZ-01A6F26H
- *HZ-01A7D25R
- *IA-01B4E04K
- *IA-01A7D25L
- *IA-01A6E26L
- *IA-01A7B23B
- *IB-01B4C02C
- *IB-02B1F02P
- *IC-01B7C01C
- *IC-01A6C26L
- *IC-01A6F26H
- *IC-01A7D25R
- *ID-01B4E04K
- *ID-01A7D25L
- *ID-01A6E26L
- *ID-01A7B23B
- *IE-01B4C02C
- *IE-02B1F02P
- *IF-01B7C01C
- *IF-01A6C26L
- *IF-01A6F26H
- *IF-01A7D25R
- *IG-01B4E04K
- *IG-01A7D25L
- *IG-01A6E26L
- *IG-01A7B23B
- *IH-01B4C02C
- *IH-02B1F02P
- *II-01B7C01C
- *II-01A6C26L
- *II-01A6F26H
- *II-01A7D25R
- *IJ-01B4E04K
- *IJ-01A7D25L
- *IJ-01A6E26L
- *IJ-01A7B23B
- *IK-01B4C02C
- *IK-02B1F02P
- *IL-01B7C01C
- *IL-01A6C26L
- *IL-01A6F26H
- *IL-01A7D25R
- *IM-01B4E04K
- *IM-01A7D25L
- *IM-01A6E26L
- *IM-01A7B23B
- *IN-01B4C02C
- *IN-02B1F02P
- *IO-01B7C01C
- *IO-01A6C26L
- *IO-01A6F26H
- *IO-01A7D25R
- *IP-01B4E04K
- *IP-01A7D25L
- *IP-01A6E26L
- *IP-01A7B23B
- *IQ-01B4C02C
- *IQ-02B1F02P
- *IR-01B7C01C
- *IR-01A6C26L
- *IR-01A6F26H
- *IR-01A7D25R
- *IS-01B4E04K
- *IS-01A7D25L
- *IS-01A6E26L
- *IS-01A7B23B
- *IT-01B4C02C
- *IT-02B1F02P
- *IU-01B7C01C
- *IU-01A6C26L
- *IU-01A6F26H
- *IU-01A7D25R
- *IV-01B4E04K
- *IV-01A7D25L
- *IV-01A6E26L
- *IV-01A7B23B
- *IW-01B4C02C
- *IW-02B1F02P
- *IX-01B7C01C
- *IX-01A6C26L
- *IX-01A6F26H
- *IX-01A7D25R
- *IY-01B4E04K
- *IY-01A7D25L
- *IY-01A6E26L
- *IY-01A7B23B
- *IZ-01B4C02C
- *IZ-02B1F02P
- *JA-01B7C01C
- *JA-01A6C26L
- *JA-01A6F26H
- *JA-01A7D25R
- *JB-01B4E04K
- *JB-01A7D25L
- *JB-01A6E26L
- *JB-01A7B23B
- *JC-01B4C02C
- *JC-02B1F02P
- *JD-01B7C01C
- *JD-01A6C26L
- *JD-01A6F26H
- *JD-01A7D25R
- *JE-01B4E04K
- *JE-01A7D25L
- *JE-01A6E26L
- *JE-01A7B23B
- *JF-01B4C02C
- *JF-02B1F02P
- *JG-01B7C01C
- *JG-01A6C26L
- *JG-01A6F26H
- *JG-01A7D25R
- *JH-01B4E04K
- *JH-01A7D25L
- *JH-01A6E26L
- *JH-01A7B23B
- *JI-01B4C02C
- *JI-02B1F02P
- *JJ-01B7C01C
- *JJ-01A6C26L
- *JJ-01A6F26H
- *JJ-01A7D25R
- *JK-01B4E04K
- *JK-01A7D25L
- *JK-01A6E26L
- *JK-01A7B23B
- *JL-01B4C02C
- *JL-02B1F02P
- *JM-01B7C01C
- *JM-01A6C26L
- *JM-01A6F26H
- *JM-01A7D25R
- *JN-01B4E04K
- *JN-01A7D25L
- *JN-01A6E26L
- *JN-01A7B23B
- *JO-01B4C02C
- *JO-02B1F02P
- *JP-01B7C01C
- *JP-01A6C26L
- *JP-01A6F26H
- *JP-01A7D25R
- *JQ-01B4E04K
- *JQ-01A7D25L
- *JQ-01A6E26L
- *JQ-01A7B23B
- *JR-01B4C02C
- *JR-02B1F02P
- *JS-01B7C01C
- *JS-01A6C26L
- *JS-01A6F26H
- *JS-01A7D25R
- *JT-01B4E04K
- *JT-01A7D25L
- *JT-01A6E26L
- *JT-01A7B23B
- *JU-01B4C02C
- *JU-02B1F02P
- *JV-01B7C01C
- *JV-01A6C26L
- *JV-01A6F26H



*1-01B7B01B
02A9D13E

*2-01B7B01H
02B8D04L

*3-01B7C02N

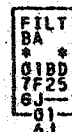
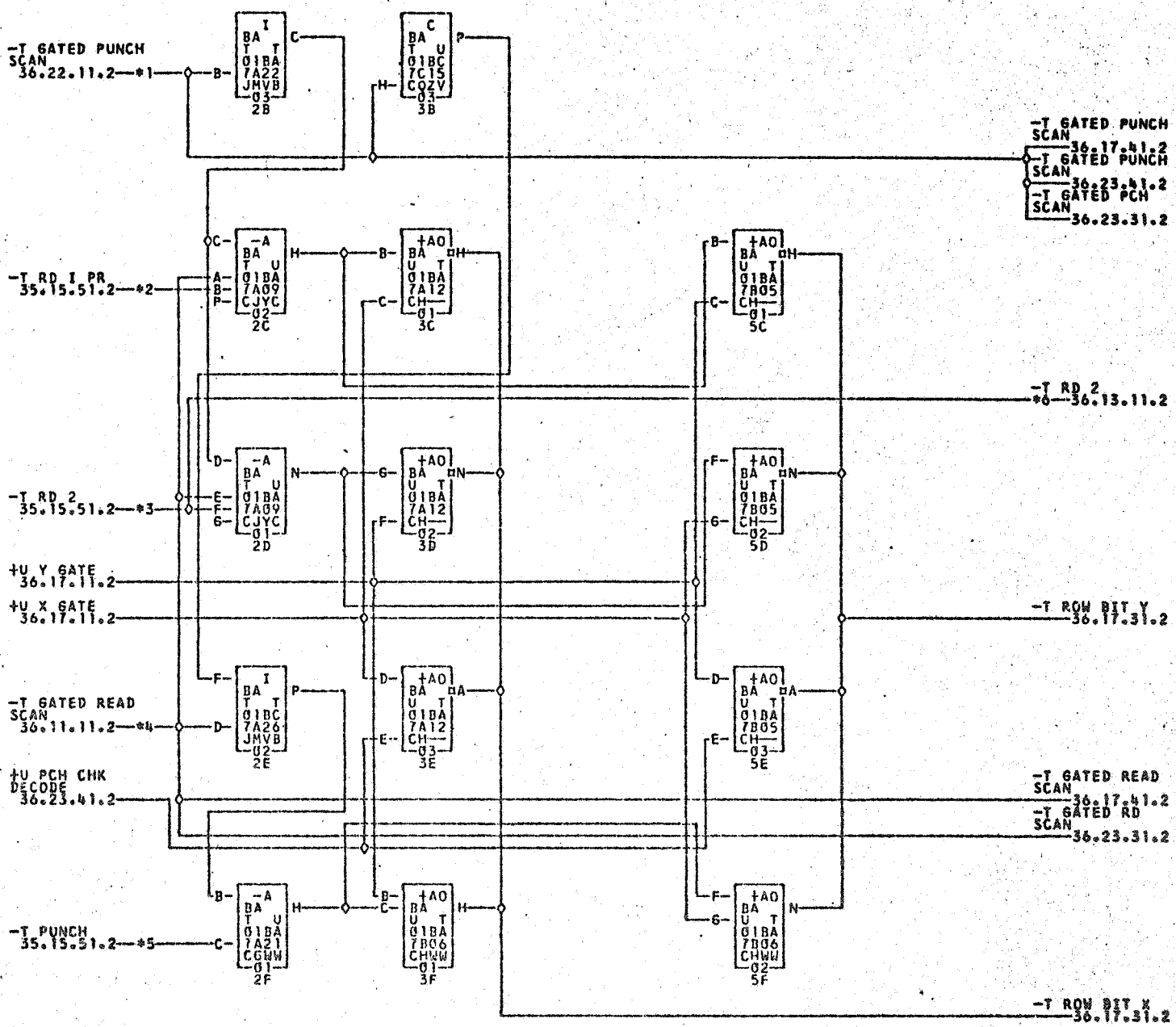
*4-01B7B01Q

*5-01B7B01C

*6-01B7D01K

COMMENTS

TAG DATE	E.C.NO.	TAG DATE	E.C.NO.	TAG DATE	E.C.NO.	TAG DATE	E.C.NO.
A 12-18-61	113530	B 02-28-63	114184				



*1-01B7B01E
01B7B03L

*2-01B7B03H

*3-01B7B03J

*4-01B7B01D

*5-01B7B03P

*6-01B7B01L

COMMENTS

TAG DATE	F.C.NO.	TAG DATE	F.C.NO.	TAG DATE	F.C.NO.	TAG DATE	F.C.NO.
A 12-18-61	113536	B 05-03-62	119101	C 06-14-62	116191	D 02-26-63	116180

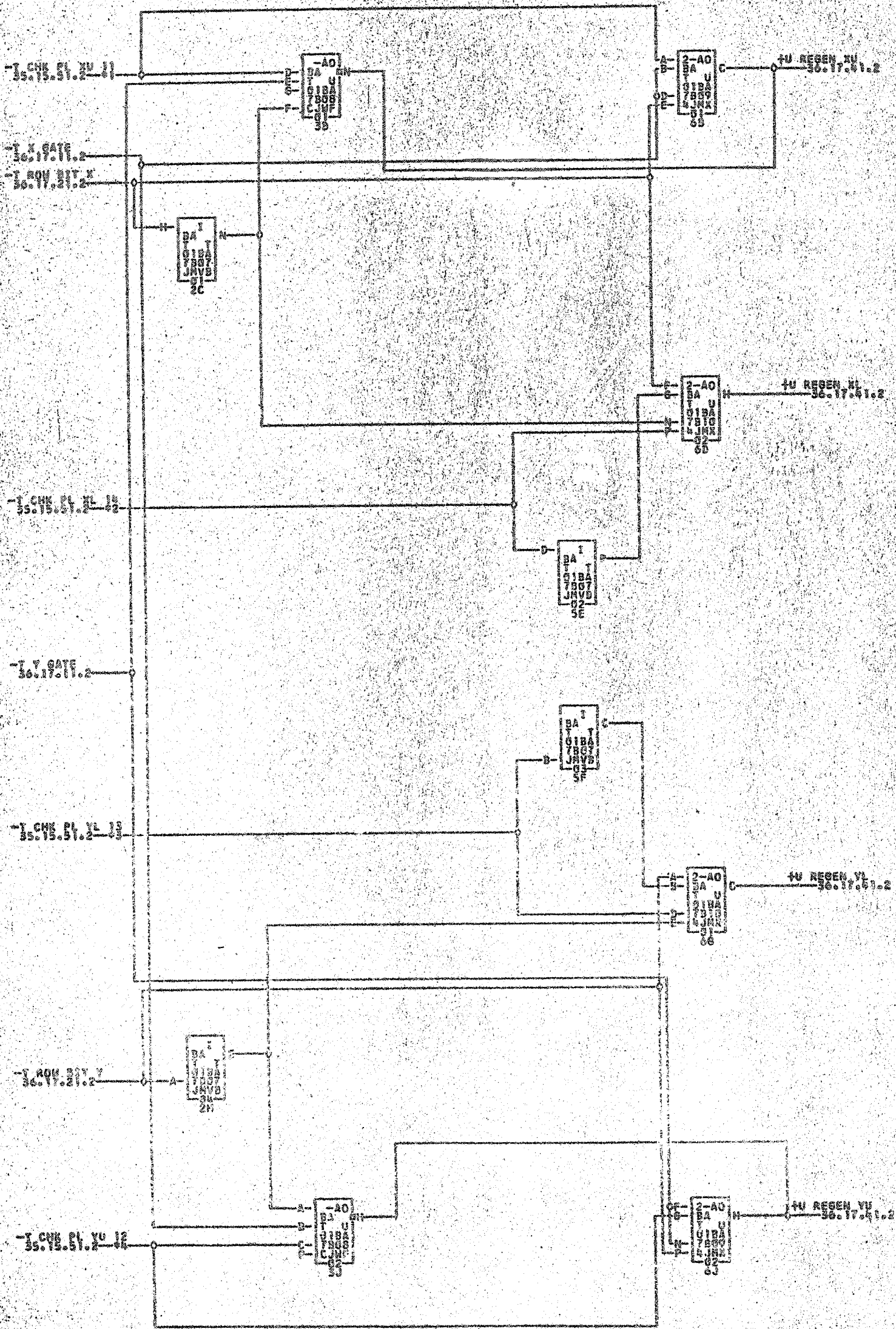
729211
1859

0729212

CHECK PLANE ENTRY

1601 BA 36.17.31.2

A 5.4.62
TA 1233B
B 17.6.63
TA 1859

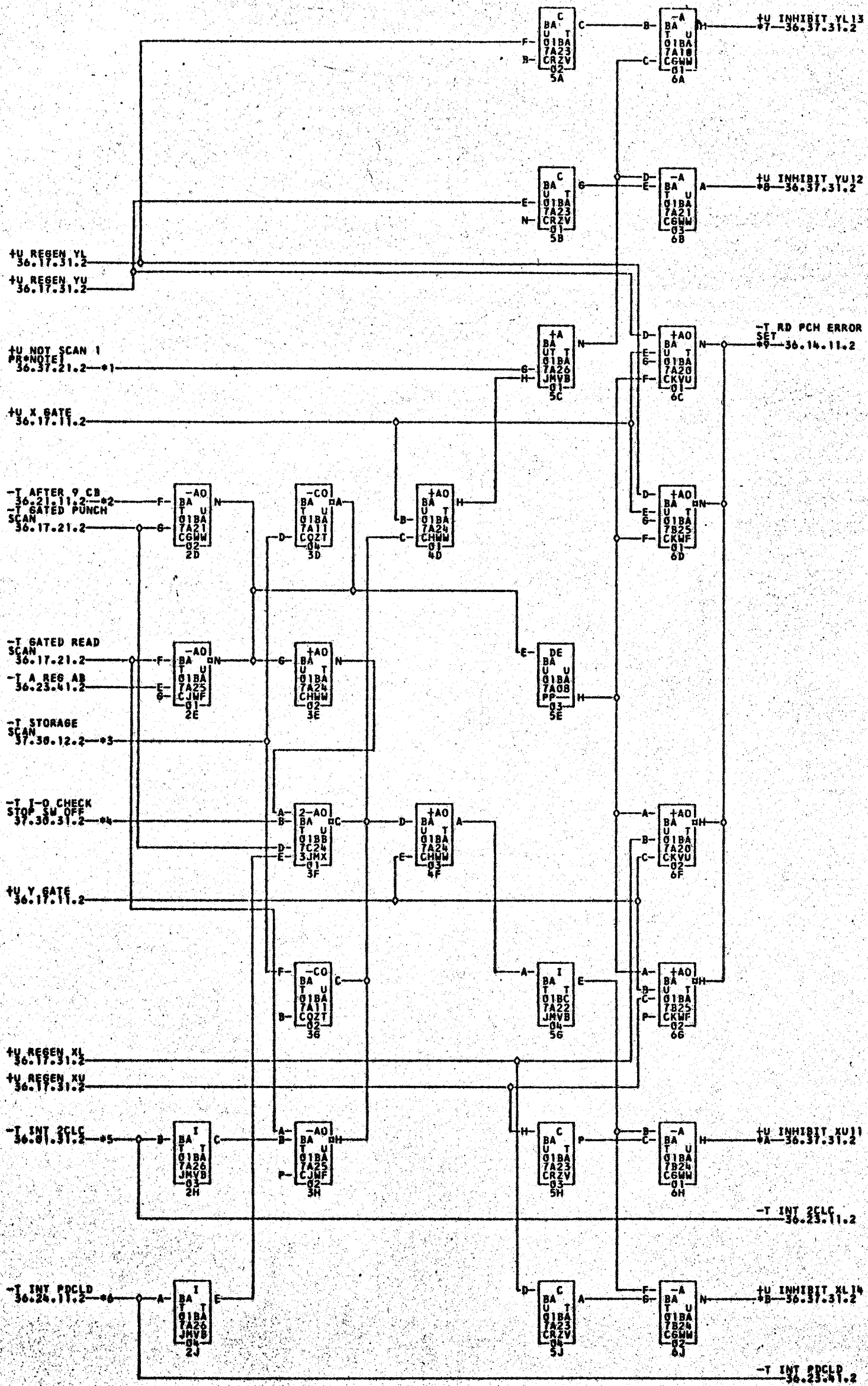


*1-018703K *2-018703M *3-018703N *4-018703L

COMMENTS

TAG	DATE	F.C.NO.	TAG	DATE	F.C.NO.	TAG	DATE	F.C.NO.
1	12-10-61	1233B	2	02-25-63	1859			

729212
1859



- 01 - 01B7A02P
- 02 - 01B7B01G
- 03 - 01B7A02N
- 04 - 01B7A02E
- 05 - 01B7A01Q
- 06 - 01B7A01P
- 07 - 01A1D025J
- 08 - 01A1D025K
- 09 - 01B7A02N
- 10 - 01A1D025L
- 11 - 01B7B01G
- 12 - 01A1D025M
- 13 - 01B7B01H
- 14 - 01A1D025N
- 15 - 01B7B01I
- 16 - 01A1D025O
- 17 - 01B7B01J
- 18 - 01A1D025P
- 19 - 01B7B01K
- 20 - 01A1D025Q
- 21 - 01B7B01L
- 22 - 01A1D025R
- 23 - 01B7B01M
- 24 - 01A1D025S
- 25 - 01B7B01N
- 26 - 01A1D025T
- 27 - 01B7B01O
- 28 - 01A1D025U
- 29 - 01B7B01P
- 30 - 01A1D025V
- 31 - 01B7B01Q
- 32 - 01A1D025W
- 33 - 01B7B01R
- 34 - 01A1D025X
- 35 - 01B7B01S
- 36 - 01A1D025Y
- 37 - 01B7B01T
- 38 - 01A1D025Z
- 39 - 01B7B01U
- 40 - 01A1D025A
- 41 - 01B7B01V
- 42 - 01A1D025B
- 43 - 01B7B01W
- 44 - 01A1D025C
- 45 - 01B7B01X
- 46 - 01A1D025D
- 47 - 01B7B01Y
- 48 - 01A1D025E
- 49 - 01B7B01Z
- 50 - 01A1D025F
- 51 - 01B7B01A
- 52 - 01A1D025G
- 53 - 01B7B01B
- 54 - 01A1D025H
- 55 - 01B7B01C
- 56 - 01A1D025I
- 57 - 01B7B01D
- 58 - 01A1D025J
- 59 - 01B7B01E
- 60 - 01A1D025K
- 61 - 01B7B01F
- 62 - 01A1D025L
- 63 - 01B7B01G
- 64 - 01A1D025M
- 65 - 01B7B01H
- 66 - 01A1D025N
- 67 - 01B7B01I
- 68 - 01A1D025O
- 69 - 01B7B01J
- 70 - 01A1D025P
- 71 - 01B7B01K
- 72 - 01A1D025Q
- 73 - 01B7B01L
- 74 - 01A1D025R
- 75 - 01B7B01M
- 76 - 01A1D025S
- 77 - 01B7B01N
- 78 - 01A1D025T
- 79 - 01B7B01O
- 80 - 01A1D025U
- 81 - 01B7B01P
- 82 - 01A1D025V
- 83 - 01B7B01Q
- 84 - 01A1D025W
- 85 - 01B7B01R
- 86 - 01A1D025X
- 87 - 01B7B01S
- 88 - 01A1D025Y
- 89 - 01B7B01T
- 90 - 01A1D025Z
- 91 - 01B7B01U
- 92 - 01A1D025A
- 93 - 01B7B01V
- 94 - 01A1D025B
- 95 - 01B7B01W
- 96 - 01A1D025C
- 97 - 01B7B01X
- 98 - 01A1D025D
- 99 - 01B7B01Y
- 100 - 01A1D025E

NOTE 1- USED WITH HPP ONLY

TAG DATE	FIG NO.	TAG DATE	FIG NO.	TAG DATE	FIG NO.	TAG DATE	FIG NO.
12-18-61	113330	05-03-62	114141	01-16-62	114151	02-20-63	115189

729213
1859

6724659

READ PUNCH INDICATION

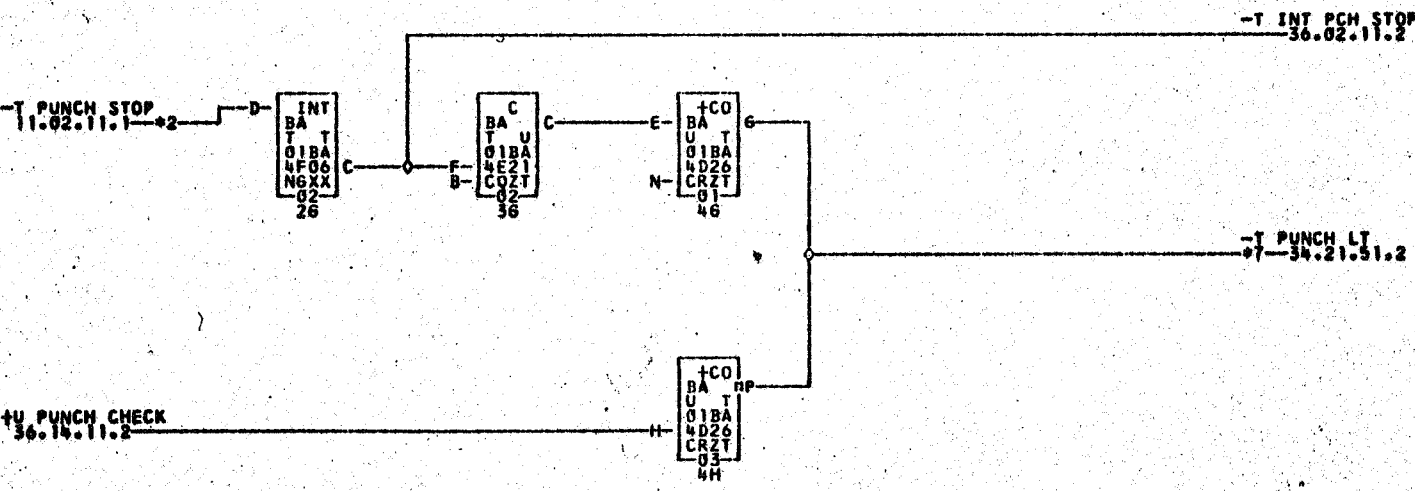
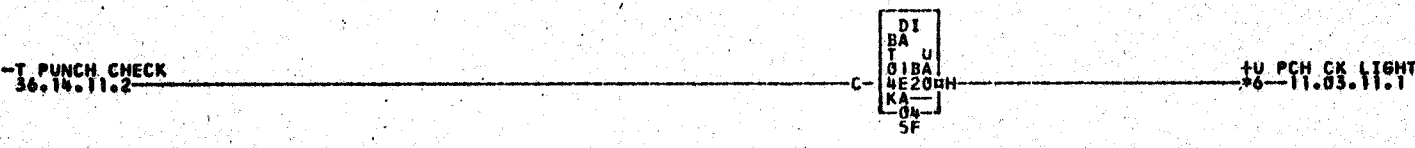
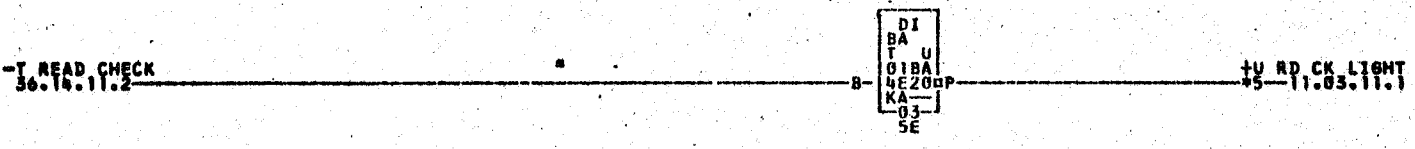
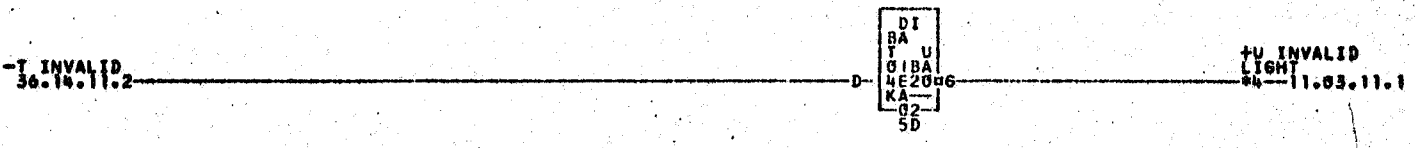
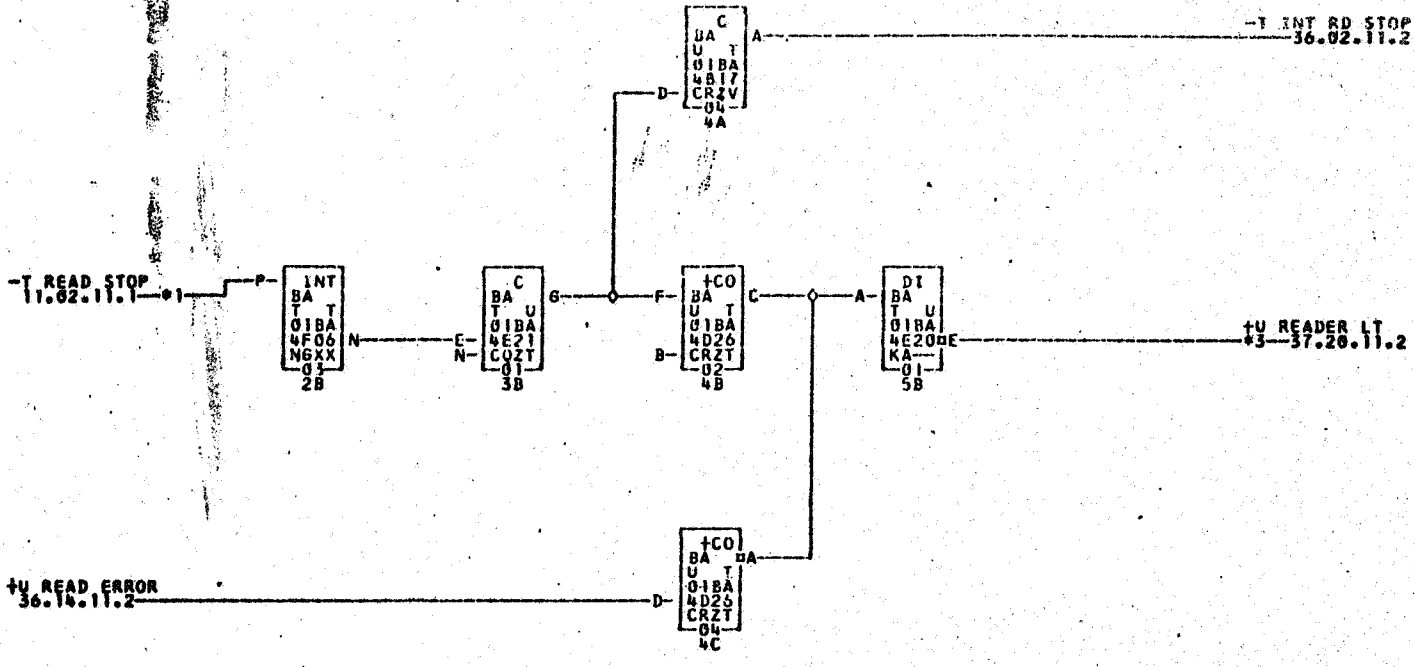
1431

36.18-11.2

TAG DATE

B 7.2.63
TA 1735A

C 16.4.63
TA 1815A



*1-01B4C01B
*3-01B4C02E

*2-01B4D01K
RC182

*5-01B4A03C
*6-01B4D02E

J1A2A19C
PC190

*4-01B4C02F
*7-01B4B02B

RC183
01B5A03B

COMMENTS

TAG DATE	E.C.NO.	TAG DATE	E.C.NO.	TAG DATE	E.C.NO.	TAG DATE	E.C.NO.
A 12-06-61	112269F	B 10-25-62	116727	C 01-17-63	116787		

1815 A
724659

0724660

FEED THROUGH SHEET

1401

36.19.11.2
SHEET 1 OF 2

TAG DATE

-T START RELAY
37.10.11.2-#1
+U START KEY RP
N-O
11.03.11.1-#2
+U START KEY RP
N-C
11.03.11.1-#3

-T START RELAY
*T-11.03.11.1
+U START KEY RP
N-O
*U-31.01.11.2
+U START KEY RP
N-C
*V-31.01.11.2

G 16.4.63
TA 1815A

TA 604A

+U GATED WM
31.07.11.2-#4

+U GATED WM
*W-41.11.41.2

+U NOT PCH SCAN
COMP DISPL
74.21.41.2-#5
-T DELTA OVRLAP
CYCLE
74.31.21.2-#6

+U GATED WM
*X-36.50.11.2
+U NOT PCH SCAN
COMP DISPL
*X-37.30.12.2
-T DELTA OVRLAP
CYCLE
*Y-56.12.11.2

+U CF PROG SKIP
74.61.01.2-#7
+U COL BIN PROG
SKIP
41.11.21.2-#8
+U PFR PROG
SKIP
56.15.11.2-#9

+U COL BIN+PFR
PROG SKIP
*Z-31.08.11.2

-T NOT I RING 1
31.31.11.1-#A

-T NOT I RING 1
*1-41.11.41.2

+U TRANS READ
BRUSHES
56.15.11.2-#B
+U PFR DEL
PROC RESET
56.12.11.2-#C

+U TRANS READ
BRUSHES
*2-11.06.11.1
+U PFR DEL
PROC RESET
*3-31.02.11.2

-T PUNCH OPR
35.27.11.2-#D

-T PUNCH OPR
*4-56.15.11.2

+U ADDR X63
74.66.01.2-#E

+U ADDR X63
*5-74.61.11.2

+U NOT RD SCAN
COMP DISPL
74.21.41.2-#F

+U NOT RD SCAN
COMP DISPL
*6-37.30.12.2

+U TIME 075-090
31.12.01.2-#G
+U R-P OVLP
MODE DISPL
74.21.01.2-#H
-T DELTA A
CYCLE
31.22.11.2-#J

+U TIME 075-090
*7-56.12.11.2
+U R-P OVLP
MODE DISPL
*8-37.30.12.2
-T DELTA A
CYCLE
*9-41.11.41.2

-T I RING 5
31.31.41.2-#K

-T I RING 5
*A-74.11.11.2
-T I RING 5
*B-41.11.21.2

-T TIME 105-000
31.12.42.2-#L

-T I RING 5
*C-56.15.11.2
-T TIME 105-000
*D-56.15.11.2

+U TIME 030-060
31.12.51.2-#M

+U TIME 030-060
*E-36.11.11.2
+U TIME 030-060
*F-36.22.11.2

-T READ OPR
35.27.11.2-#N

-T READ OPR
*G-74.61.01.2

-T NOT PRINT
OPR
31.02.21.2-#P

-T READ OPR
*H-56.12.11.2
-T NOT PRINT
OPR
*I-41.11.21.2

+U I RING 2+5
31.31.31.2-#Q

+U I RING 2+5
*J-74.61.01.2
+U I RING 2+5
*K-74.31.41.2
+U I RING 2+5
*L-56.15.11.2
+U I RING 2+5
*M-41.11.21.2

-T NOT START
RESET
37.30.31.2-#R

+U I RING 2+5
*N-36.50.11.2
-T NOT START
RESET
*O-36.01.21.2
-T NOT START
RESET
*P-36.01.31.2
-T NOT START
RESET
*Q-36.10.11.2
-T NOT START
RESET
*R-36.02.11.2
-T NOT START
RESET
*S-36.10.21.2
-T NOT START
RESET
*T-36.11.11.2
-T NOT START
RESET
*U-56.70.21.2
-T NOT START
RESET
*V-36.22.11.2
-T NOT START
RESET
*W-36.24.11.2
-T NOT START
RESET
*X-36.21.11.2

+U TIME 000-030
31.12.51.2-#S

+U TIME 000-030
*Y-36.10.21.2
+U TIME 000-030
*Z-36.11.11.2
+U TIME 000-030
*1-36.21.11.2
+U TIME 000-030
*2-36.10.11.2
+U TIME 000-030
*3-36.22.11.2

-U PROCESS M
1402
99.99.91.1

+U TIME 000-030
*4-36.24.11.2
*-U PROCESS M
1402
*M-00.PC.18.6

COMMENTS
SIGNALS PRECEDED BY AN ASTERISK
INDICATE DIRECT CABLE EXPANSION.

TAG DATE E.C.NO. TAG DATE E.C.NO. TAG DATE E.C.NO. TAG DATE E.C.NO.
A 12-06-61 112269F B 01-10-62 113530A C 01-25-62 113830A D 02-14-62 114242A
E 07-26-62 116228 F 10-25-62 116727 G 01-17-63 116787 H 09-17-63 118575C

724660

*1 01B4A03L
 *2 01B4C02D
 *3 01B4C02K
 *4 01B4B01Q
 *5 01B4F04A
 *6 01B4F04H
 *7 01B4E04P
 *8 01B4F02F
 *9 01B4F01J
 *A 01B4E01K
 *B 01B4C03R
 *C 01B4C04F
 *D 01B4D03C
 *E 01B4A03K
 *F 01B4F04B
 *G 01B4A02D
 *H 01B4F04C
 *J 01B4E01J
 *K 01B4E01G
 *L 01B4A02E
 *M 01B4A02D
 *N 01B4D03B
 *P 01B4E01I
 *Q 01B4D02E
 *R 01B4A03H
 *S 01B4A02B
 *T 01B4D02G
 *U 01B4A01B
 *V 01B4B01D
 *W 01B4F03N
 *X 01B4A03G
 *Y 01B4C04E
 *Z 01B4E01A
 01 01B4F02D
 02 01B4C02M
 03 01B4E01E
 04 01B4C03H
 05 01B4E04R
 06 01B4A03J
 07 01B4C04D
 08 01B4A03H
 09 01B4F02Q
 0A 01B4F03L
 0B 01B4F03L
 0C 01B4F01F
 0D 01B4C04J
 0E 01B4E04L
 0F 01B4B03R
 0G 01B4F02R
 0H 01B4F03D
 0J 01B4F03D
 0K 01B4F01H
 0L 01B4F03D
 0M 01B4D01J

01A6F26B
 01B2A04D
 02A9D19C

 01B2B04A
 02A9D01B
 —RC199

 01B7A01H
 02A9A11B

 02A9E03B
 02A9D15C
 02A9D15C
 01B7E03F
 01B7C01J
 02A9A01B
 01B7B01R
 02A9E05B
 02A9D01C
 02A9D01C
 01B7E03M
 02A9D01C

01A6E26M
 02B8F02N

 02B8F01D

 02B8D03R

 02B8F01Q
 02B1C02N
 02B8F02L

 02B8D03L

 02B8F01R
 02B8D04B
 02B1C02K
 02B8F02D

01B2B01M

G16.4.63
 TA 1815A

 H12.11.63
 TA 604A

COMMENTS
 SIGNALS PRECEDED BY AN ASTERISK
 INDICATE DIRECT CABLE EXPANSION.

TAG DATE	E.C.NO.	TAG DATE	E.C.NO.	TAG DATE	E.C.NO.	TAG DATE	E.C.NO.
A 12-06-61	112269F	B 01-16-62	113530A	C 01-25-62	113930A	D 02-14-62	114242A
E 07-26-62	116228	F 10-25-62	116727	G 01-17-63	116787	H 09-17-63	118575C

724660 12

072661

PUNCH CB GENERATION

1401

36.21.11.2

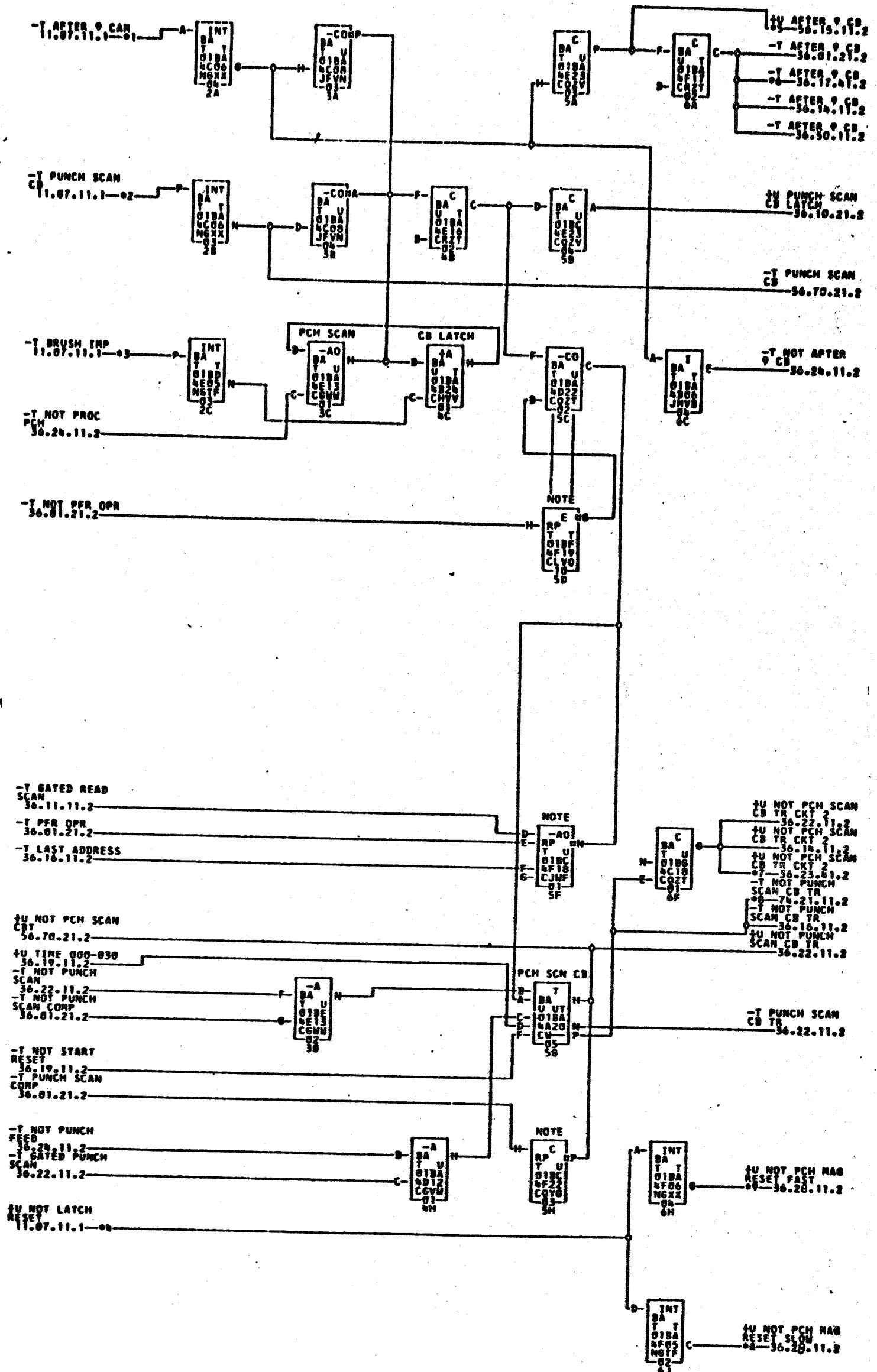
TAG DATE

F 18.4.63

TA 1815A

G 18.6.63

TA 1859

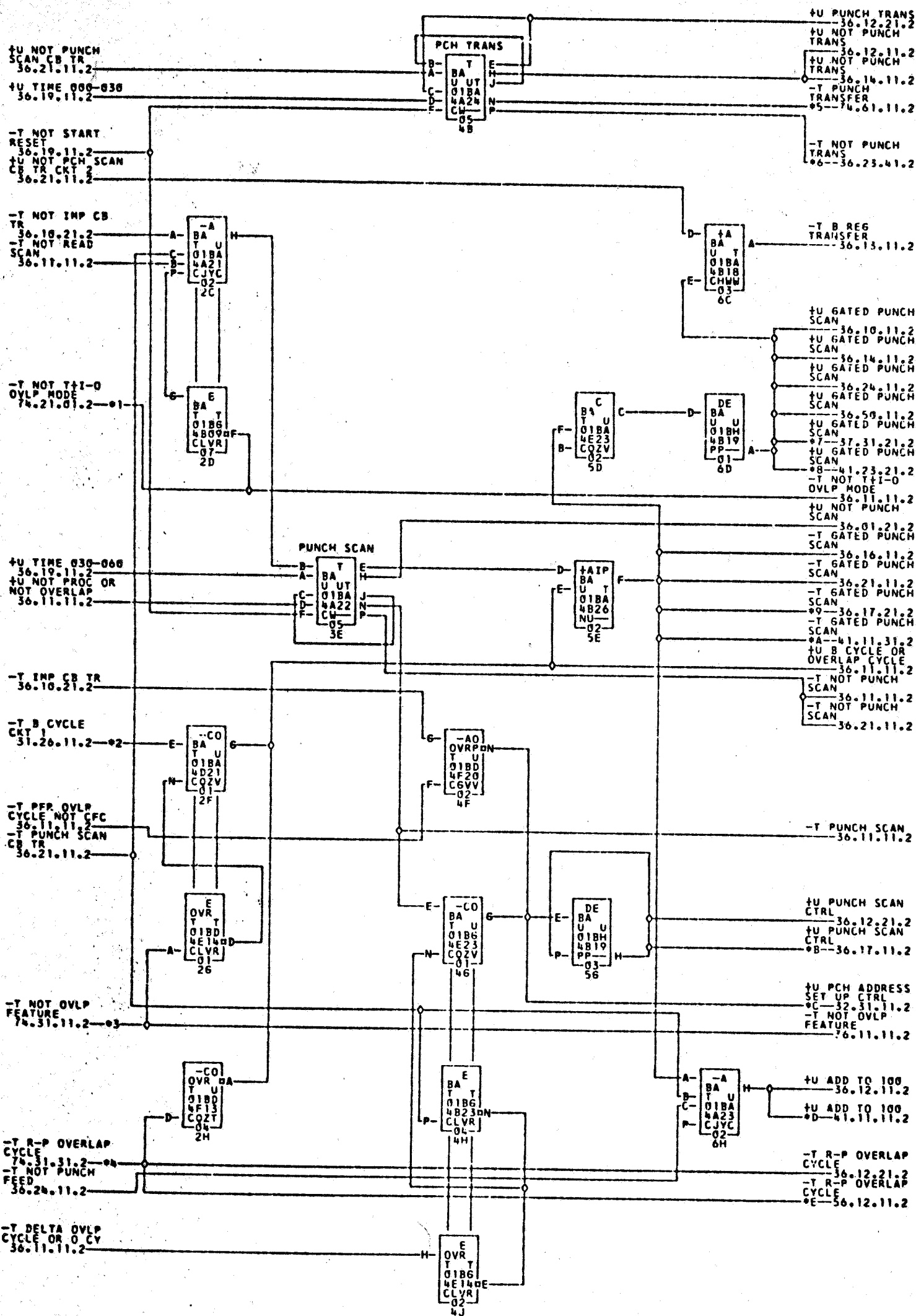


- 01-0184001A 02-0184001B 03-0184001C 04-0184001D 05-0184001E 06-0184001F
- 07-0184001G 08-0184001H 09-0184001I 10-0184001J 11-0184001K 12-0184001L

NOTE-THIS CARD MUST BE PRESENT IF EITHER THE PUNCH FEED READ RP OR THE CARD FEED COMP CFC FEATURE IS PRESENT

TAG DATE	F.C. NO.	TAG DATE	F.C. NO.	TAG DATE	F.C. NO.	TAG DATE	F.C. NO.
A 12-08-61	115300	F 01-19-63	116730A	C 02-14-63	117242A	D 05-10-62	115300
E 18-25-62	116927			G 02-28-63	117148		

724661



- *1-01B4F04E
- *2-01B4E01R
- *3-01B4D04N
- *4-01B4D04H
- *5-01B4E04J
- *6-02A9A17A
- *7-02B8D03J
- *8-01B4F01N
- *9-01B7E03N
- *A-01A2A19E
- *B-01B4F03P
- *C-01B7A03E
- *D-02A9D11C
- *E-01B4B03E
- *F-01B7B01R
- *G-01A6F26E
- *H-01A6C26A
- *I-01A7D25A
- *J-01B4F02B
- *K-02A9C17B
- *L-02B8F01B
- *M-01B4C04H
- *N-01B7C01H

COMMENTS

TAG DATE	E.C.NO.	TAG DATE	E.C.NO.	TAG DATE	E.C.NO.	TAG DATE	E.C.NO.
A 12-06-61	112269F	B 01-14-62	113530A	C 01-25-62	113830A	D 02-14-62	114242A
E 03-18-62	115303	F 10-25-62	116727	G 01-17-63	116787	H 03-28-63	117186A

724662

0729214

PUNCH DECODE

1401 BA

36.23.11.2

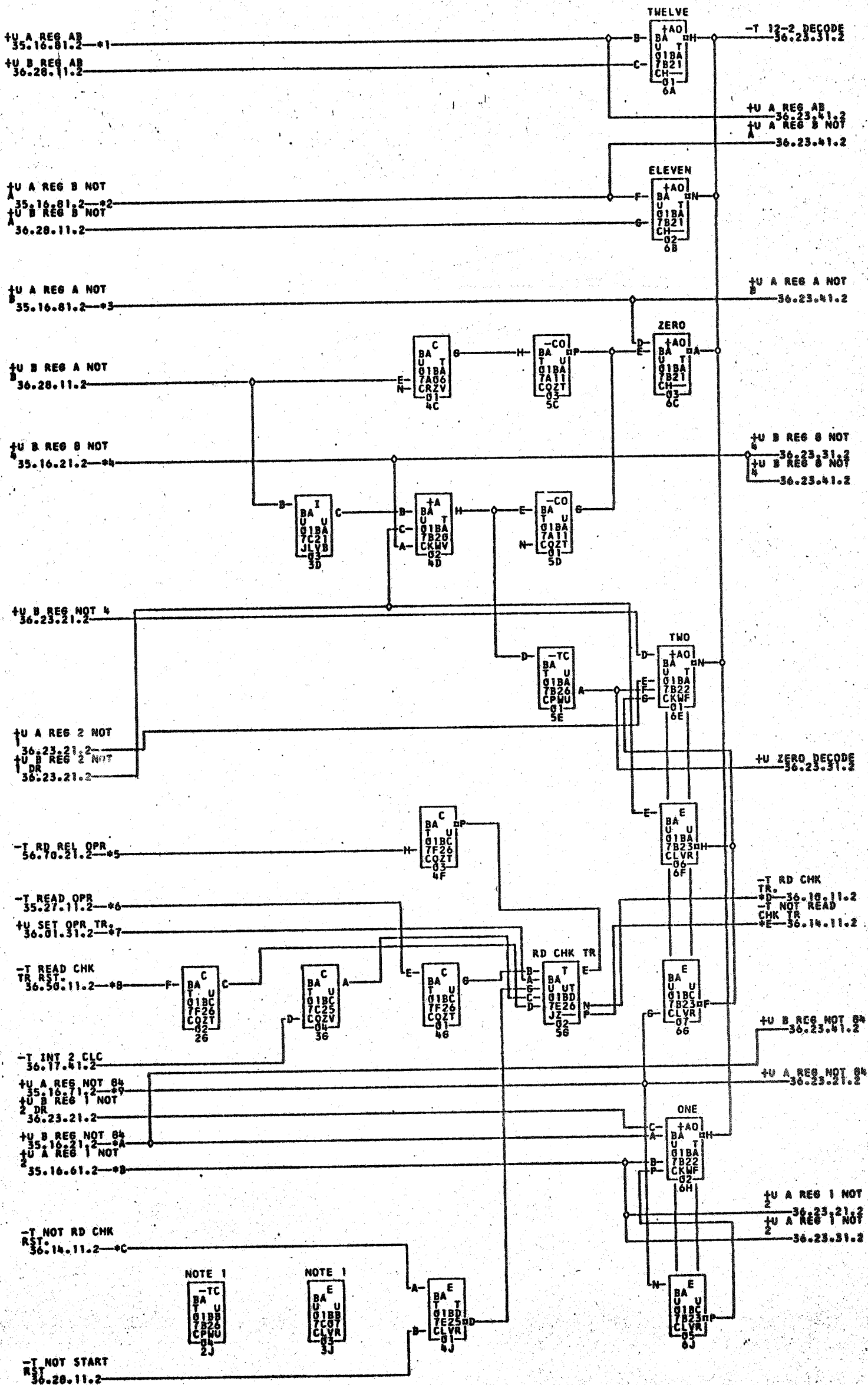
TAG DATE

B 12.7.62

TA 1370F

D 18.6.63

TA 1859



- *1-01878036
- *2-01878037
- *3-01878038
- *4-01878039
- *5-01878040
- *6-01878041
- *7-01878042
- *8-01878043
- *9-01878044
- *A-01878045
- *B-01878046
- *C-01878047
- *D-01878048
- *E-01878049
- *F-01878050
- *G-01878051
- *H-01878052
- *I-01878053
- *J-01878054
- *K-01878055
- *L-01878056
- *M-01878057
- *N-01878058
- *O-01878059
- *P-01878060
- *Q-01878061
- *R-01878062
- *S-01878063
- *T-01878064
- *U-01878065
- *V-01878066
- *W-01878067
- *X-01878068
- *Y-01878069
- *Z-01878070

NOTE 1- THESE CIRCUITS RESERVED FOR THE TAG DATE FIC NO. TAG DATE FIC NO. TAG DATE FIC NO. TAG DATE FIC NO.

729214
1 1859

0729215

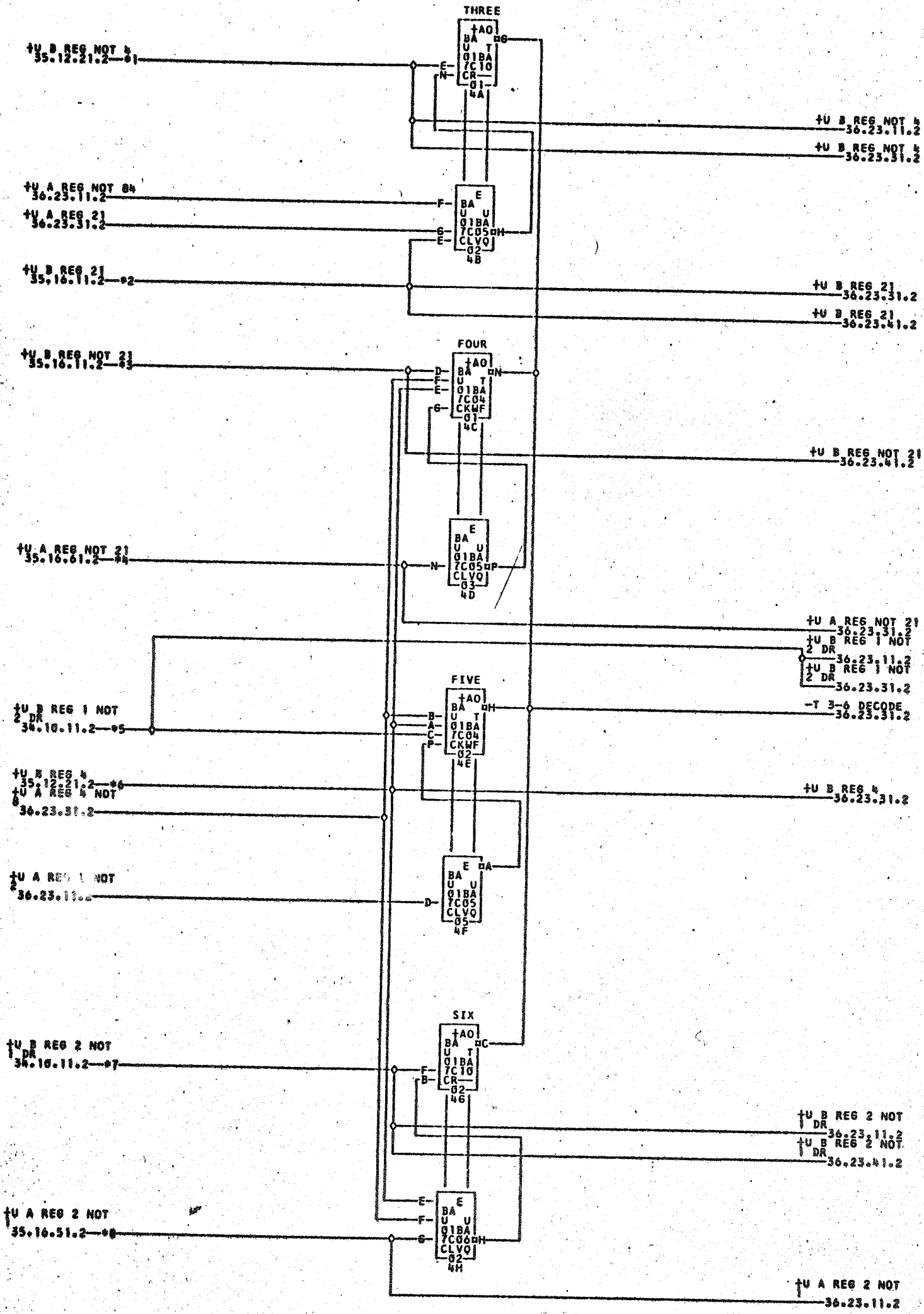
3-6 PUNCH DECODE

1401 PA 36.23.21.2

TAG DATE

A 5.4.62
TA 1233B

B 18.5.63
TA 1859



*1-01B7A03E

*2-01B7A03A

*3-01B7A03B

*4-01B7B03A

*5-01B7B03B

*6-01B7A03D

COMMENTS

TAG DATE	E.C.NO.	TAG DATE	E.C.NO.	TAG DATE	E.C.NO.	TAG DATE	E.C.NO.
A 12-18-61	113330	B 02-28-63	116184				

729215
1859

0729210

PUNCH DECODE

1401 BA

36.23.51.2

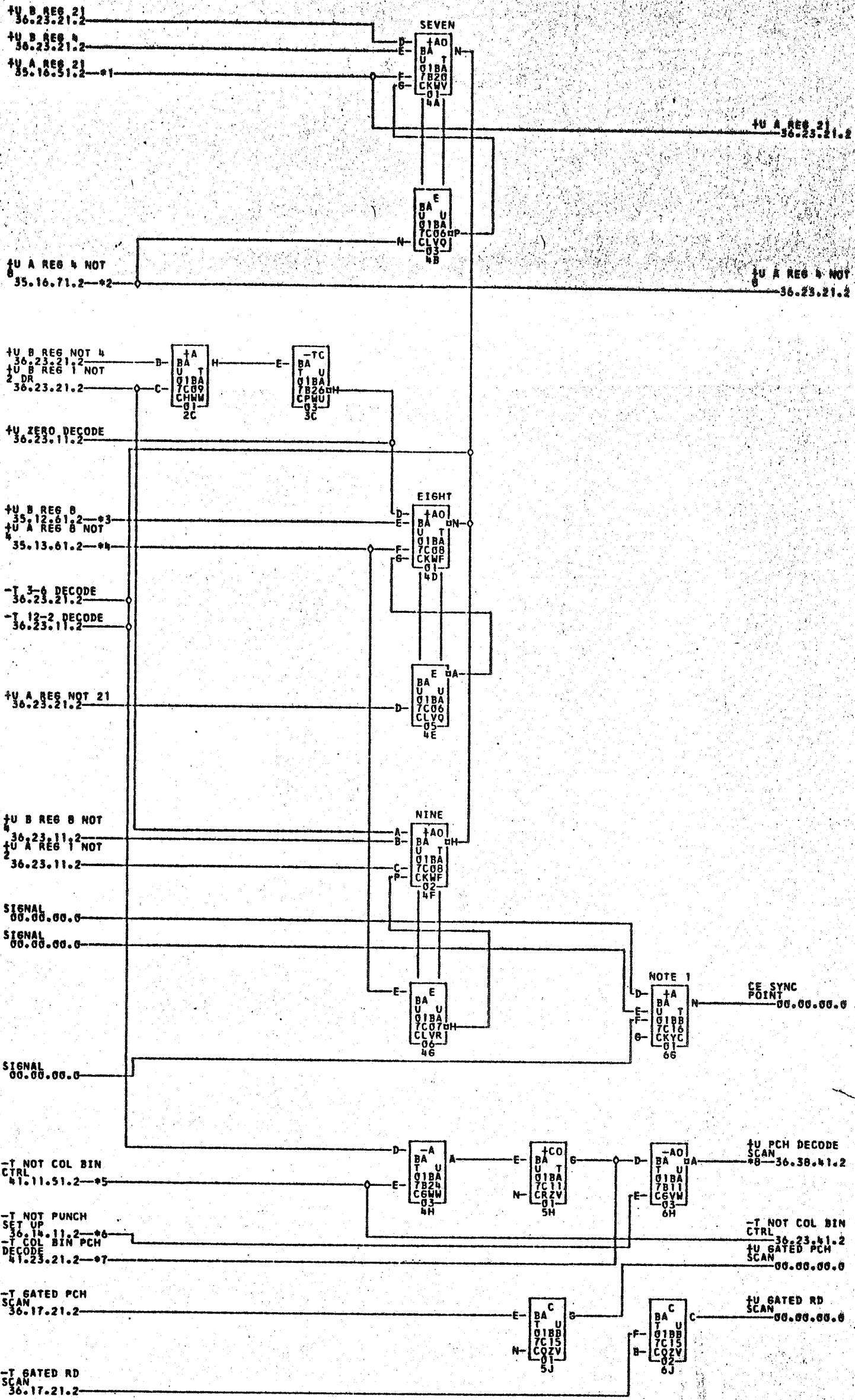
TAG DATE

B 23.10.62

TA 1578B

C 27.5.63

TA 1859



*1-01B7A03R
*7-01B7D01M

*2-01B7B03D
*8-01B7B02L

*3-01B7C03B
01B5A26L

*4-01B7B03C

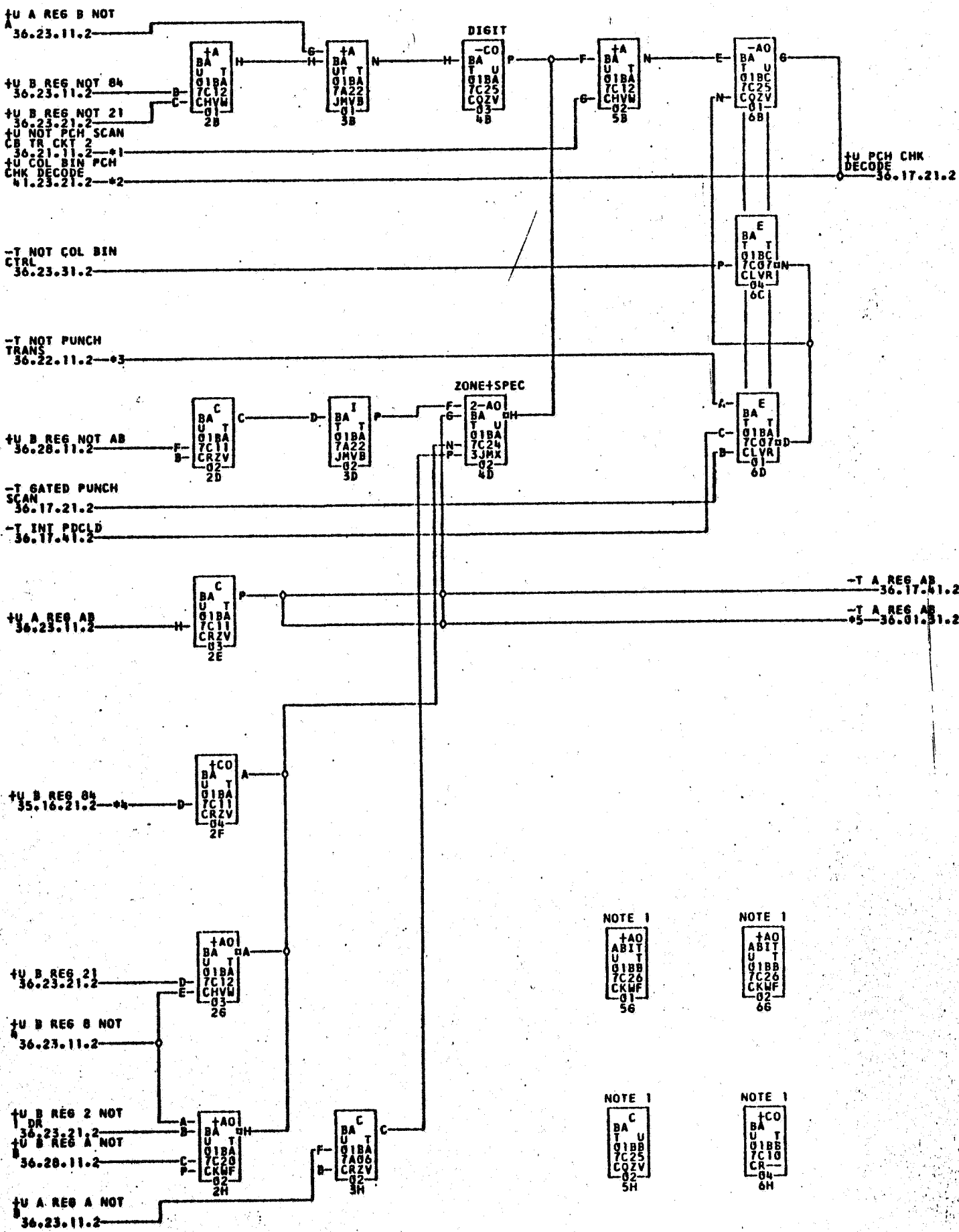
*5-01B7D01M

*6-01B7E03K

COMMENTS TAG DATE E.C.NO. TAG DATE E.C.NO. TAG DATE E.C.NO. TAG DATE E.C.NO.

NOTE1-CIRCUIT RESERVED FOR CE SYNC POINT A 12-18-61 113530 B 05-03-62 114141 C 02-28-63 115184

729210



*1-01B7801P

*2-01B7D01P

*3-01B7E03N

*4-01B7A03K

*5-01B7C016

01B4C046

NOTE 1- THESE CIRCUITS RESERVED FOR THE A BIT ON 1401 RPO

TAG DATE	E.C. NO.	TAG DATE	E.C. NO.	TAG DATE	E.C. NO.	TAG DATE	E.C. NO.
A 12-18-61	113530	B 05-03-62	114141	C 02-28-63	114184		

729217
1859

0724003

PUNCH FEED

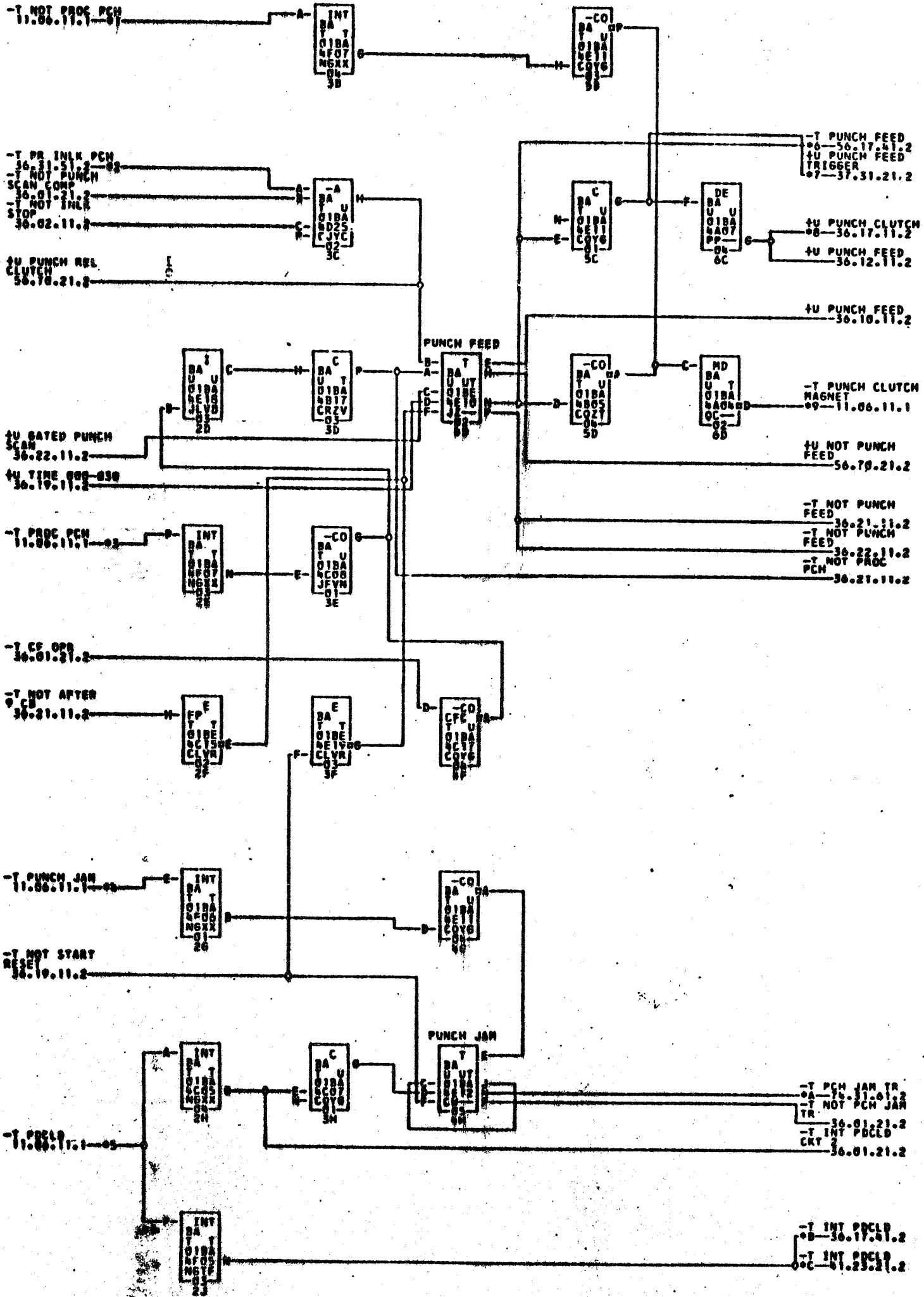
1401

36.20.11.2

TAG DATE

F 18.6.63
TA 1859

G 25.7.63
TA 1859Q



COMMENTS

TAG DATE	FIC NO	TAG DATE	FIC NO	TAG DATE	FIC NO	TAG DATE	FIC NO
36-11-63	112587	36-11-63	112587	36-11-63	112587	36-11-63	112587

724663

0729218

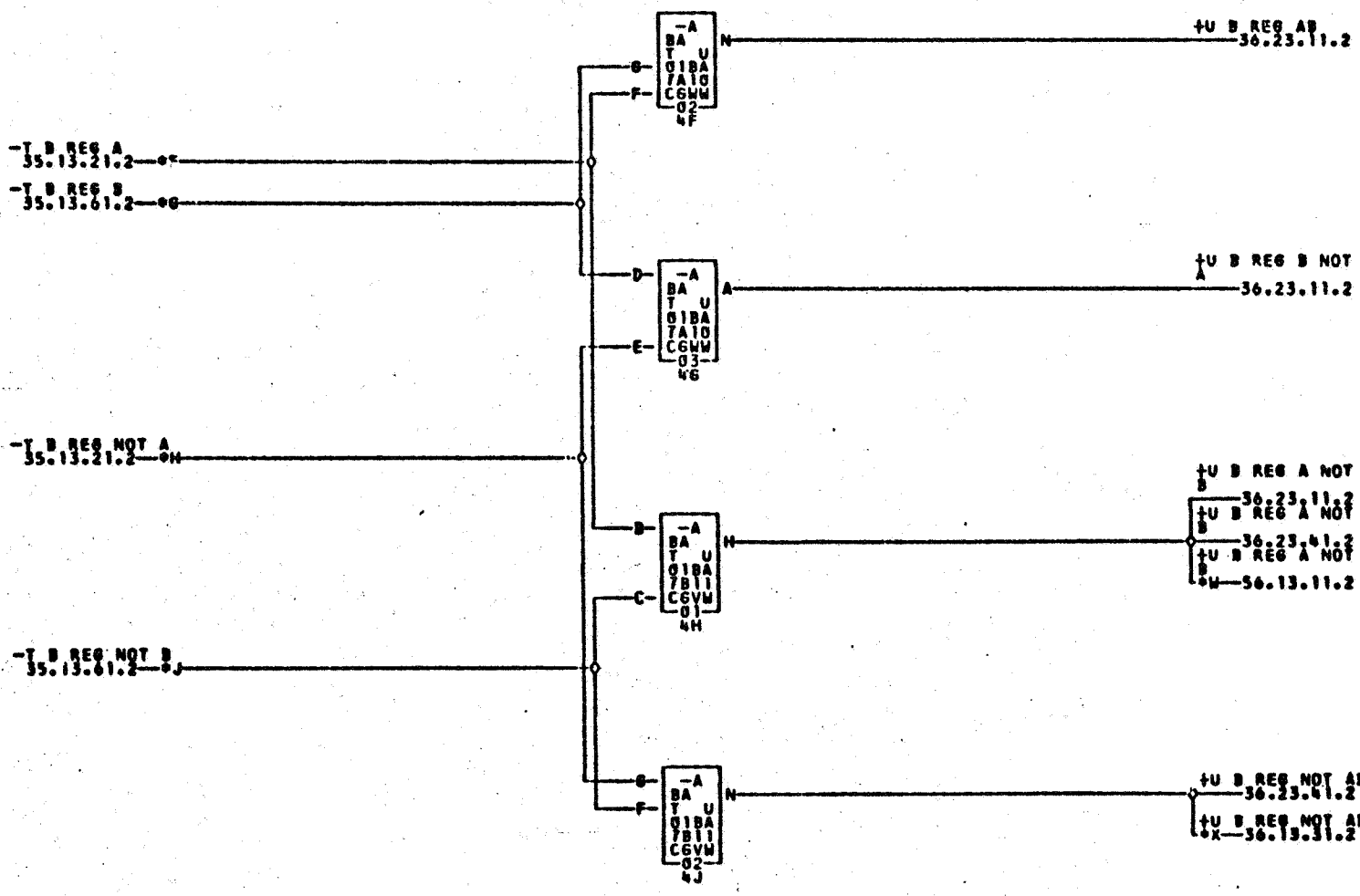
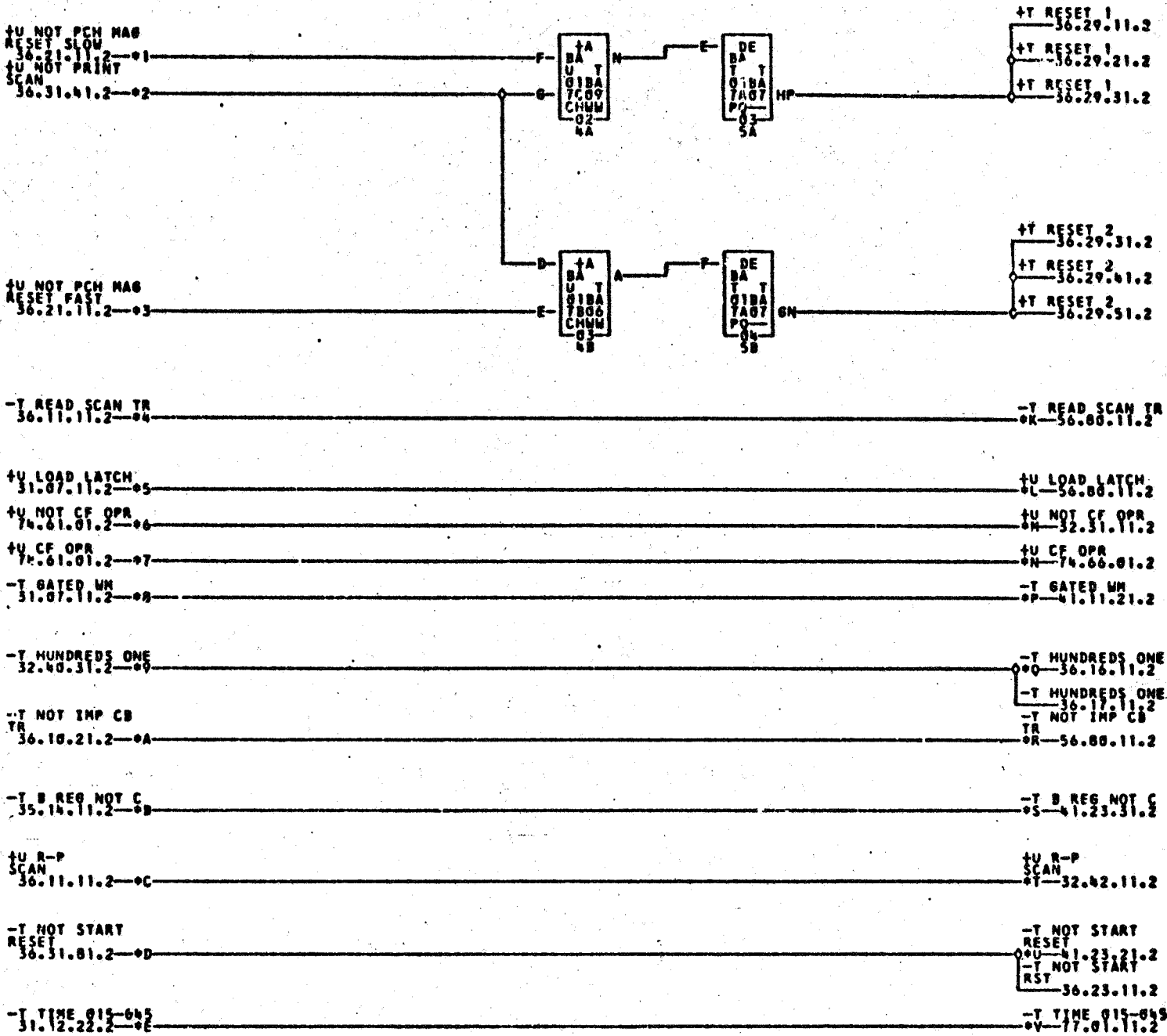
PUNCH DRIVER RESET AND FEED THRU

1401 BA

36.28.11.2

TAG DATE

A 5.4.62
TA 1233B
C 18.6.63
TA 1859



- *1-01B7D01A
- *2-01B7A02L
- *3-01B7A01G
- *4-01B7E03E
- *5-01B7A01L
- *6-01B7D010
- *7-01B7D01R
- *8-01B7A01F
- *9-01B7C02P
- *A-01B7A01K
- *B-01B7C03H
- *C-01B7A01A
- *D-01B7A02F
- *E-01B7C03J
- *F-01B7A03N
- *G-01B7A03M
- *H-01B7A03M
- *I-01B7D02P
- *J-01B7C03A
- *K-01B7D02P
- *L-01B7D02R
- *M-01A8E24R
- *N-01B7A02B
- *O-01A6A24K
- *P-01B7A02A
- *Q-01A6D25B
- *R-01A6D25A
- *S-02A9C19E
- *T-01A6A24M
- *U-01B7D01C
- *V-01B7D01E
- *W-01A6D24N
- *X-01A8E24N
- *Y-01B4F01A
- *Z-01B7D02N
- *AA-01A8E24K
- *AB-01B7D01B
- *AC-01B7D01E
- *AD-02A9D01E
- *AE-01B7D01E
- *AF-01B7B01K
- *AG-01B4B03K
- *AH-01B4F01L

COMMENTS TAG DATE E.C.NO. TAG DATE E.C.NO. TAG DATE E.C.NO. TAG DATE E.C.NO.
 A 12-18-61 113530 B 02-28-63 114186 C 03-28-63 114184A

729218

0729219

PUNCH DRIVE TENS

1401 BA

36.28.21.2

TAG DATE

+U PR PCH DR T0
36.38.41.2-#1



-U PCH DR T0
36.29.11.2
-U PCH DR T0
36.29.21.2
-U PCH DR T0
36.29.31.2
-U PCH DR T0
36.29.41.2
-U PCH DR T0
36.29.51.2

+U PR PCH DR T1
36.38.41.2-#2



-U PCH DR T1
36.29.11.2
-U PCH DR T1
36.29.21.2
-U PCH DR T1
36.29.31.2
-U PCH DR T1
36.29.41.2
-U PCH DR T1
36.29.51.2

+U PR PCH DR T2
36.38.41.2-#3



-U PCH DR T2
36.29.11.2
-U PCH DR T2
36.29.21.2
-U PCH DR T2
36.29.31.2
-U PCH DR T2
36.29.41.2
-U PCH DR T2
36.29.51.2

+U PR PCH DR T3
36.38.41.2-#4



-U PCH DR T3
36.29.11.2
-U PCH DR T3
36.29.21.2
-U PCH DR T3
36.29.31.2
-U PCH DR T3
36.29.41.2
-U PCH DR T3
36.29.51.2

+U PR PCH DR T4
36.38.41.2-#5



-U PCH DR T4
36.29.11.2
-U PCH DR T4
36.29.21.2
-U PCH DR T4
36.29.31.2
-U PCH DR T4
36.29.41.2
-U PCH DR T4
36.29.51.2

+U PR PCH DR T5
36.38.41.2-#6



-U PCH DR T5
36.29.11.2
-U PCH DR T5
36.29.21.2
-U PCH DR T5
36.29.31.2
-U PCH DR T5
36.29.41.2
-U PCH DR T5
36.29.51.2

+U PR PCH DR T6
36.38.41.2-#7



-U PCH DR T6
36.29.11.2
-U PCH DR T6
36.29.21.2
-U PCH DR T6
36.29.31.2
-U PCH DR T6
36.29.41.2
-U PCH DR T6
36.29.51.2

+U PR PCH DR T6
#A-36.80.11.2

+U PR PCH DR T7
36.38.41.2-#8



-U PCH DR T7
36.29.11.2
-U PCH DR T7
36.29.21.2
-U PCH DR T7
36.29.31.2
-U PCH DR T7
36.29.41.2
-U PCH DR T7
36.29.51.2

+U PR PCH DR T8
36.38.41.2-#9



-U PCH DR T8
36.29.11.2

+U PR PCH DR T8
#B-36.16.11.2

*1-01B7B02A
*1-01B4B03M

*2-01B7B02B
*2-01B7B02H

*3-01B7B02C
*3-01B7B02J

*4-01B7B02D
*4-01B7B02M

*5-01B7B02E
*5-01A8E24M

*6-01B7B02F
*6-01B7B01N

COMMENTS

TAG DATE	E.C.NO.	TAG DATE	E.C.NO.	TAG DATE	E.C.NO.	TAG DATE	E.C.NO.
A 12-18-61	113530	B 02-28-63	114104				

A 5.4.62
TA 1233B
B 38.6.63
TA 1859

0729220

PUNCH MATRIX 0-1

1401 BA

36.29.11.2

TAG DATE

-U PCH DR T8
36.28.21.2

-U PCH DR T0
36.28.21.2

-U PCH DR T1
36.28.21.2

-U PCH DR T2
36.28.21.2

-U PCH DR T3
36.28.21.2

+U PCH PR DR U0
36.38.51.2

-U PCH DR T4
36.28.21.2

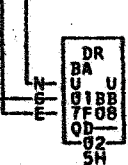
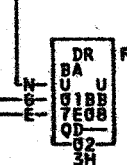
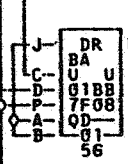
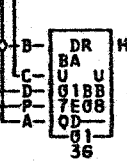
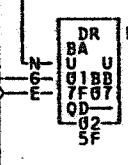
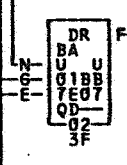
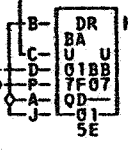
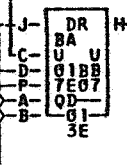
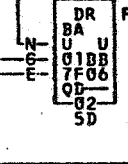
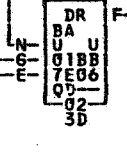
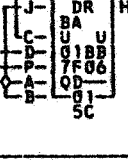
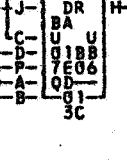
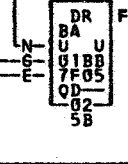
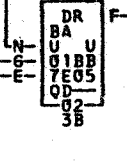
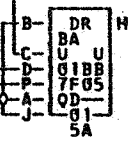
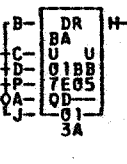
+T RESET 1
36.28.11.2

-U PCH DR T5
36.28.21.2

-U PCH DR T6
36.28.21.2

-U PCH DR T7
36.28.21.2

+U PCH PR DR U1
36.38.51.2



+U PUNCH MAG 80
L*3-11.07.11.1

+U PUNCH MAG 81
L*4-11.07.11.1

+U PUNCH MAG 10
L*5-11.07.11.1

+U PUNCH MAG 11
L*6-11.07.11.1

+U PUNCH MAG 20
L*7-11.07.11.1

+U PUNCH MAG 21
L*8-11.07.11.1

+U PUNCH MAG 30
L*9-11.07.11.1

+U PUNCH MAG 31
L*A-11.07.11.1

+U PUNCH MAG 40
L*B-11.07.11.1

+U PUNCH MAG 41
L*C-11.07.11.1

+U PUNCH MAG 50
L*D-11.07.11.1

+U PUNCH MAG 51
L*E-11.07.11.1

+U PUNCH MAG 60
L*F-11.07.11.1

+U PUNCH MAG 61
L*G-11.07.11.1

+U PUNCH MAG 70
L*H-11.07.11.1

+U PUNCH MAG 71
L*I-11.07.11.1

A 5.4.62
TA 1233B

B 27.5.63
TA 1859

*1-01B7C02A
*7-01B7E02D
*8-01B7F02B

*2-01B7C02B
*8-01B7E02E
*E-01B7F02C

*3-01B7F03R
*9-01B7E02P
*F-01B7F02M

*4-01B7E01A
*A-01B7E02Q
*G-01B7F02N

*5-01B7E01K
*B-01B7F01H
*H-01B7F03P

*6-01B7E01L
*C-01B7E01J
*J-01B7F03G

COMMENTS

TAG DATE	E.C.NO.	TAG DATE	E.C.NO.	TAG DATE	E.C.NO.	TAG DATE	E.C.NO.
A 12-18-61	113530	B 02-28-63	114184				

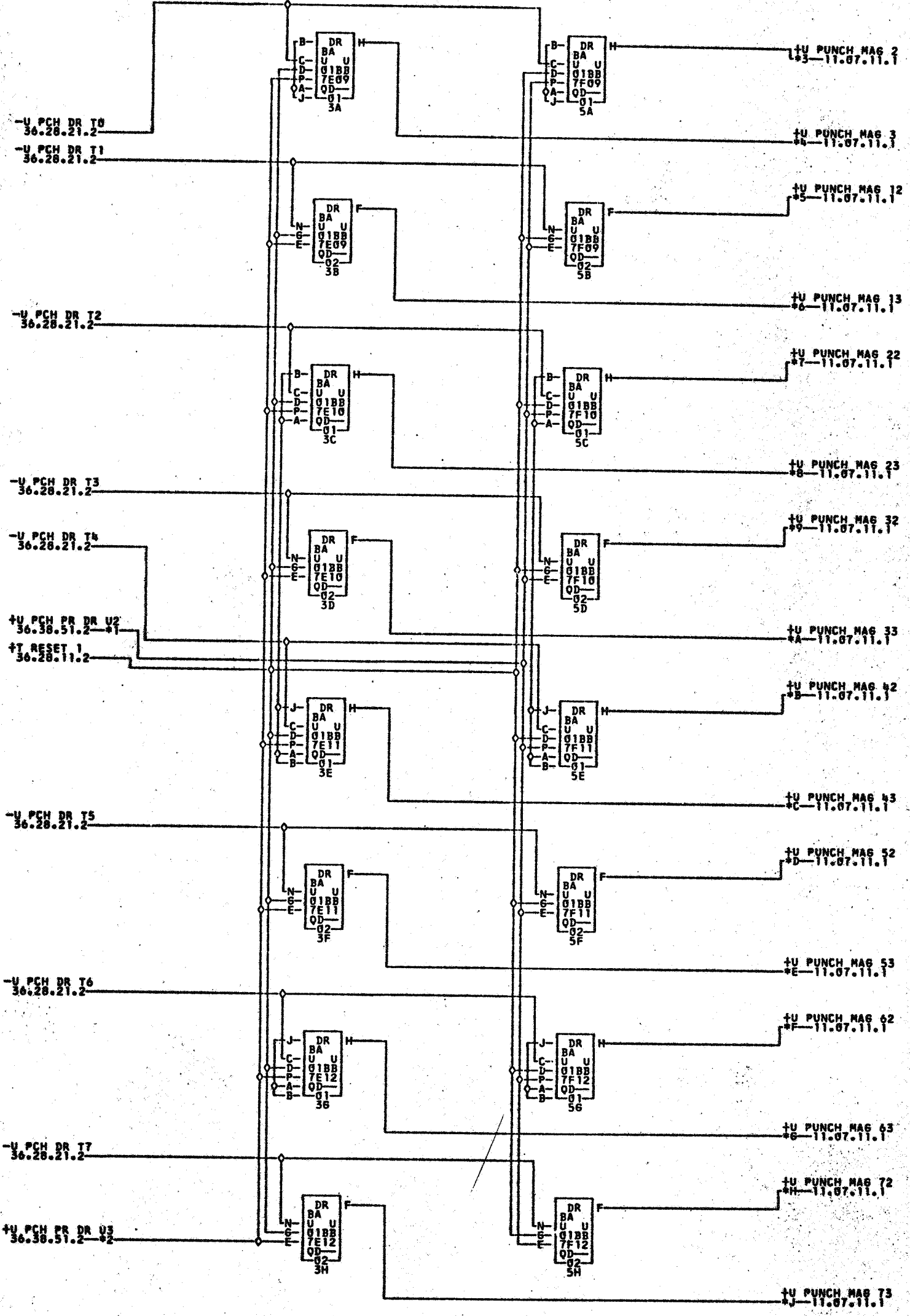
0729221

PUNCH MATRIX 2-3

1401 BA

36.29.21.2

TAG DATE



A 5.4.62
 TA 1238B
 B 27.5.63
 TA 1859

*1-01B7C02C
 *7-01B7E02F
 *D-01B7F02D

*2-01B7C02D
 *8-01B7E02G
 *E-01B7F02E

*3-01B7E01B
 *9-01B7E02H
 *F-01B7F02P

*4-01B7E01C
 *A-01B7F01A
 *G-01B7F02Q

*5-01B7E01M
 *B-01B7F01K
 *H-01B7F03H

*6-01B7E01N
 *C-01B7F01L
 *J-01B7F03J

COMMENTS

TAG DATE	E.C.NO.	TAG DATE	E.C.NO.	TAG DATE	E.C.NO.	TAG DATE	E.C.NO.
A 12-18-61	113530	B 02-28-63	114184				

0729222

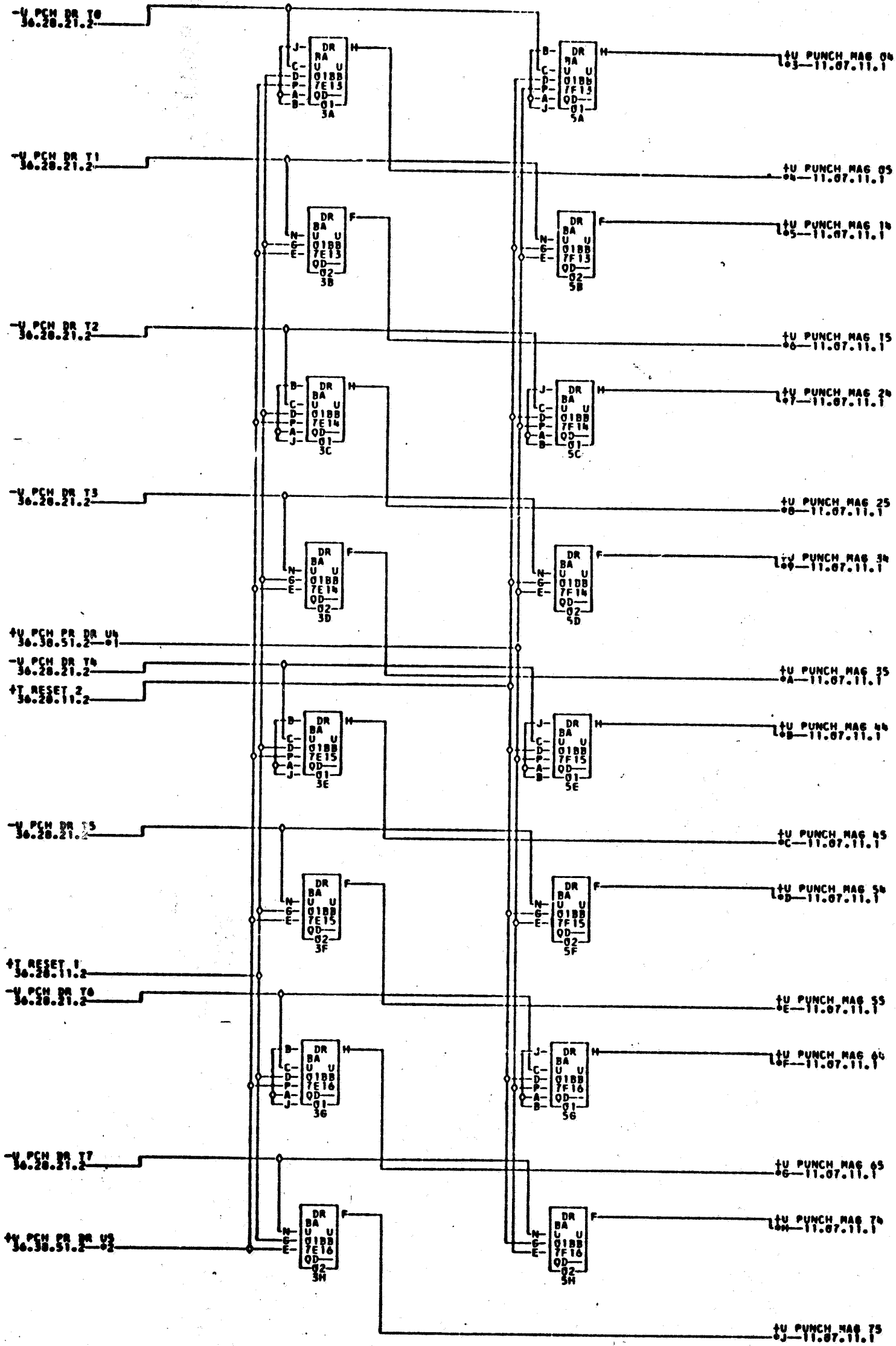
PUNCH MATRIX 4-5

1401 BA 36.29.31.2

TAG DATE

A 5.4.62
TA 1233B

B 18.6.63
TA 1859



- 01-01B7C02E
- 02-01B7C02F
- 03-01B7E01D
- 04-01B7E01E
- 05-01B7E01P
- 06-01B7E01Q
- 07-01B7E02H
- 08-01B7E02J
- 09-01B7F01B
- 0A-01B7F01C
- 0B-01B7F01M
- 0C-01B7F01N
- 0D-01B7F02R
- 0E-01B7F02S
- 0F-01B7F03A
- 0G-01B7F03B
- 0H-01B7F03K
- 0J-01B7F03L

COMMENTS TAG DATE E.C.NO. TAG DATE E.C.NO. TAG DATE E.C.NO. TAG DATE E.C.NO.

A 12-18-61 113530 B 02-28-63 118104

729222
1859

0729223

PUNCH MATRIX 6-7

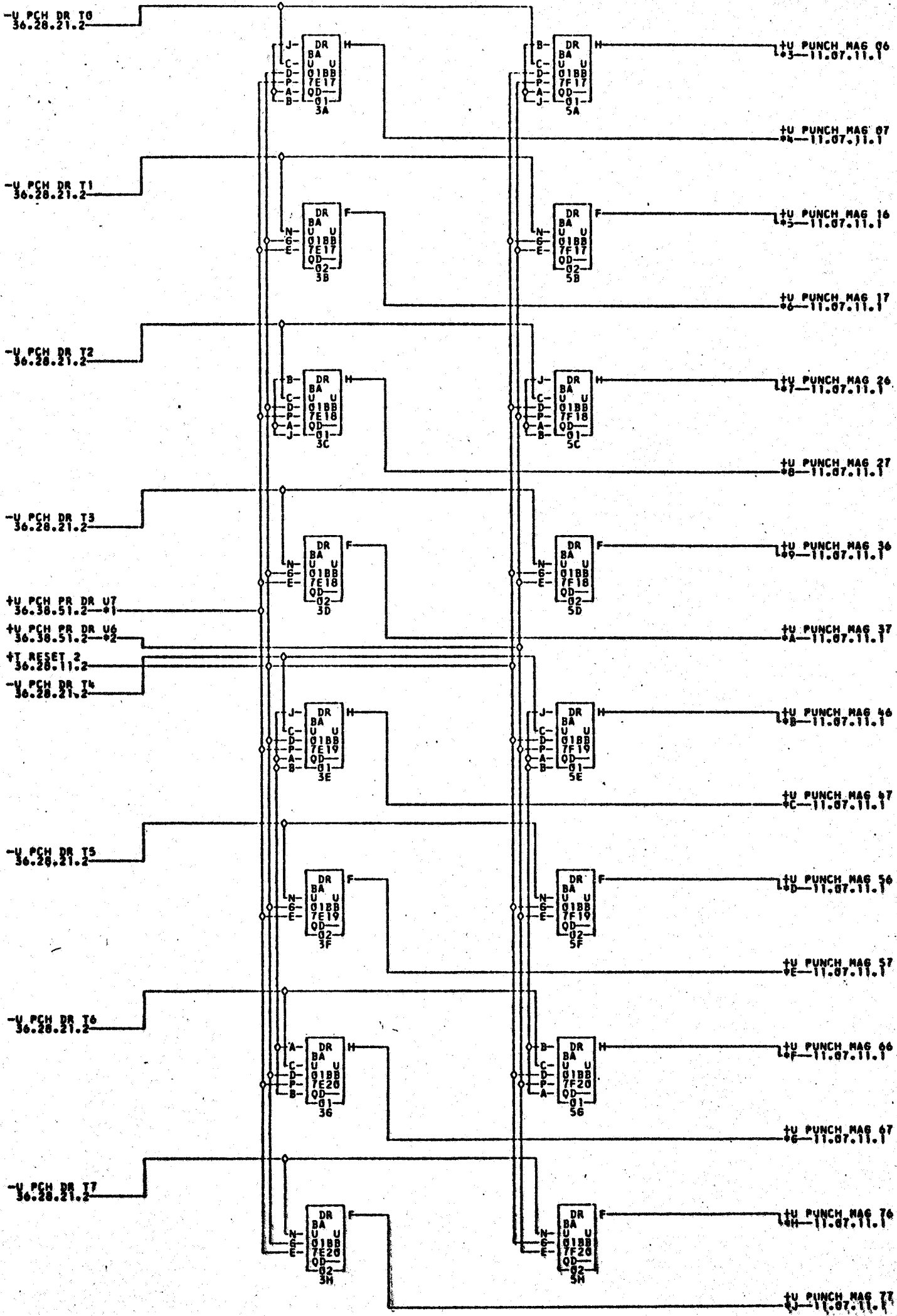
1401 BA

36.29.41.2

TAG DAT

A 5.4.62
TA 1233B

B18.6.63
TA 1859



- 01-0187C02H
- 02-0187C02G
- 03-0187E01F
- 04-0187E01G
- 05-0187E01R
- 06-0187E02A
- 07-0187F02J
- 08-0187F02J
- 09-0187F03E
- 10-0187F03E
- 11-0187F03M
- 12-0187F03M

7202233
1859

COMMENTS

TAG DATE	E.C.NO.	TAG DATE	E.C.NO.	TAG DATE	E.C.NO.	TAG DATE	E.C.NO.
A 12-18-61	113530	B 02-24-63	113184				

0729224

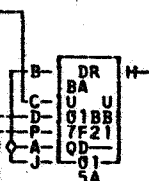
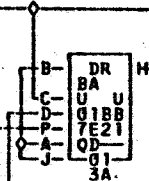
PUNCH MATRIX 8-9

1401 BA

36.29.51.2

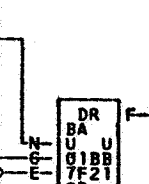
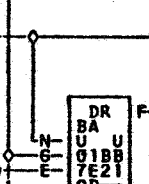
TAG DATE

-U PCH DR T0
36.28.21.2



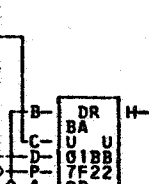
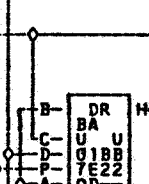
+U PUNCH MAG 08
L43-11.07.11.1

-U PCH DR T1
36.28.21.2



+U PUNCH MAG 09
L44-11.07.11.1

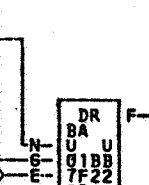
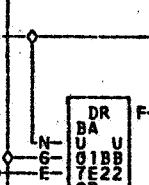
-U PCH DR T2
36.28.21.2



+U PUNCH MAG 18
L45-11.07.11.1

+U PUNCH MAG 19
L46-11.07.11.1

-U PCH DR T3
36.28.21.2



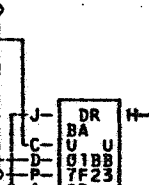
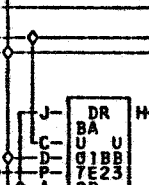
+U PUNCH MAG 28
L47-11.07.11.1

+U PUNCH MAG 29
L48-11.07.11.1

+U PCH PR DR U8
36.38.51.2

-U PCH DR T4
36.28.21.2

+I RESET 2
36.28.11.2



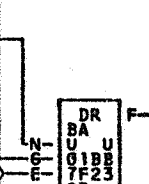
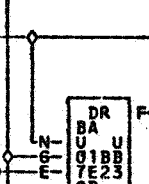
+U PUNCH MAG 38
L49-11.07.11.1

+U PUNCH MAG 39
L4A-11.07.11.1

+U PUNCH MAG 48
L4B-11.07.11.1

+U PUNCH MAG 49
L4C-11.07.11.1

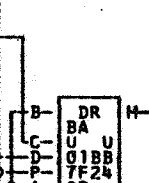
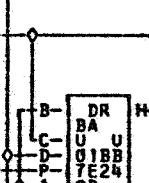
-U PCH DR T5
36.28.21.2



+U PUNCH MAG 58
L4D-11.07.11.1

+U PUNCH MAG 59
L4E-11.07.11.1

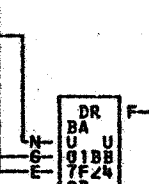
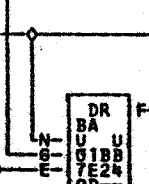
-U PCH DR T6
36.28.21.2



+U PUNCH MAG 68
L4F-11.07.11.1

+U PUNCH MAG 69
L4G-11.07.11.1

-U PCH DR T7
36.28.21.2



+U PUNCH MAG 78
L4H-11.07.11.1

+U PCH PR DR U9
36.38.51.2

+U PCH PR DR U9
36.38.51.2

+U PUNCH MAG 79
L4J-11.07.11.1

*1-01B7C02J
*7-01B7F02M
*D-01B7F02K

*2-01B7C02K
*8-01B7E02N
*E-01B7F02L

*3-01B7E01H
*9-01B7E01F
*F-01B7F03D

*4-01B7E01J
*A-01B7F01B
*G-01B7F03E

*5-01B7E02B
*6-01B7F01R
*H-01B7F03P

*C-01B7E02C
*I-01B7F01S
*J-01B7F03Q

COMMENTS

TAG DATE E.C.NO. TAG DATE E.C.NO. TAG DATE E.C.NO. TAG DATE E.C.NO.
A 12-18-61 113530 B 02-28-63 114184

6728799

PSS TRIGGER

1401 PF

36.31.01.2

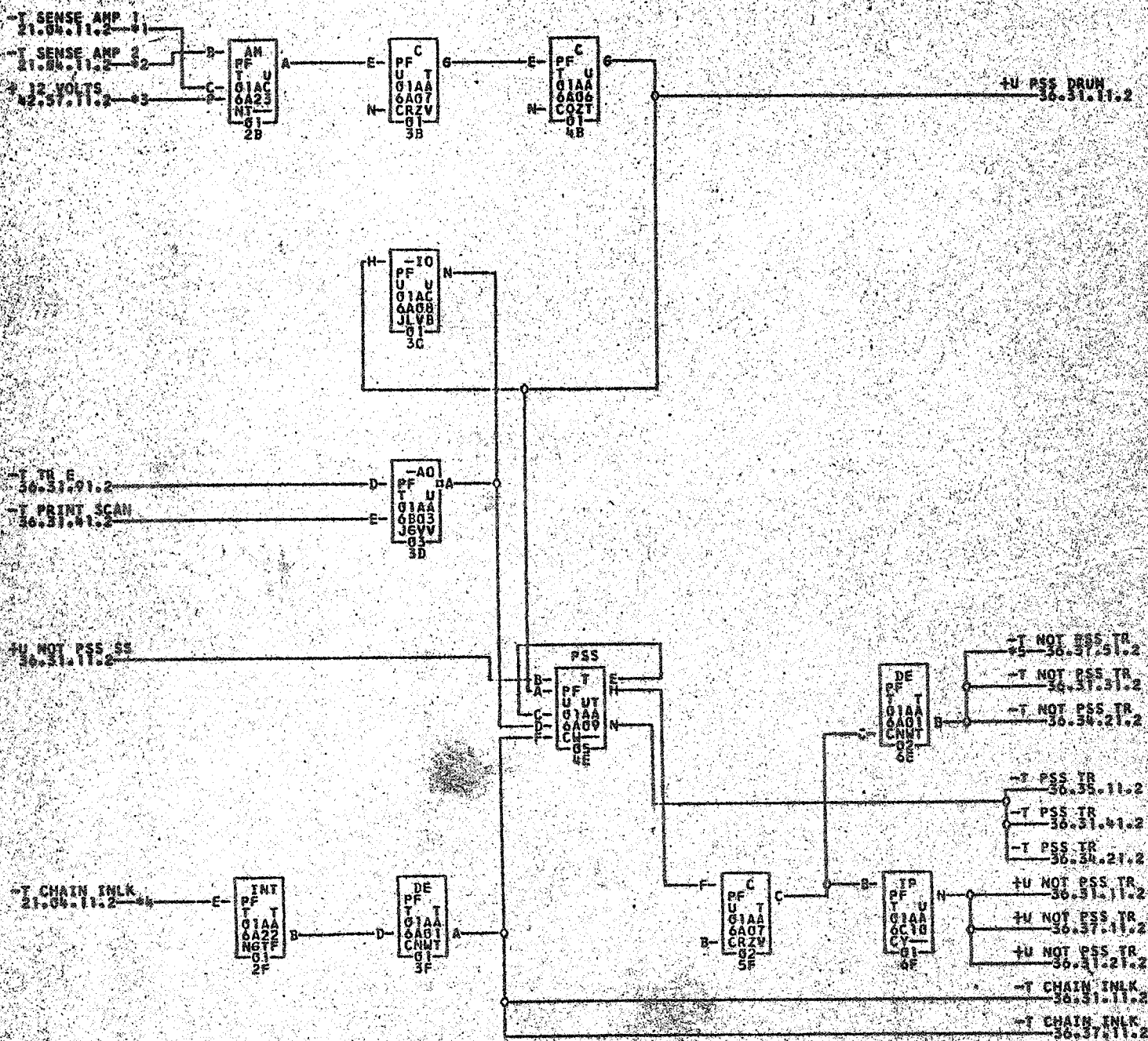
TAG DATE

B 30.8.62

TA 1441

C 25.3.63

TA 1795



#1-01A6A26A

#2-01A6A26B

#3-01A6A26E

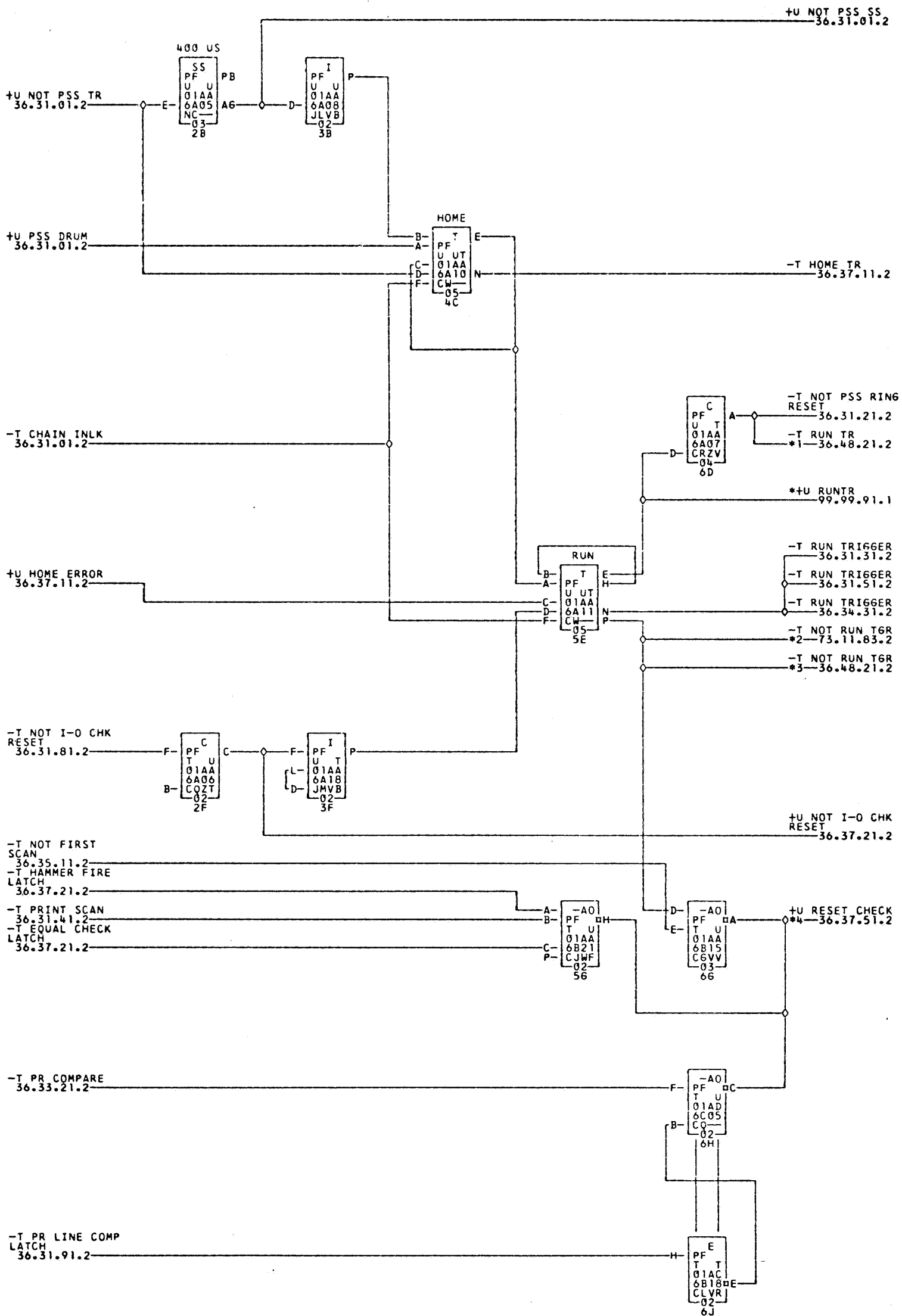
#4-01A6A26K

#5-01A6B23D

COMMENTS

ISS. DATE	ISS. DATE	ISS. DATE	ISS. DATE	ISS. DATE	ISS. DATE
12-18-61	11-23-61	11-23-61	11-23-61	11-23-61	11-23-61

1795
728799



*1—01A6D24N *2—01A6F25E *3—01A6D24L *4—01A6B25Q

COMMENTS
SIGNALS PRECEDED BY AN ASTERISK
INDICATE DIRECT CABLE EXPANSION.

TAG DATE E.C.NO. TAG DATE E.C.NO. TAG DATE E.C.NO. TAG DATE E.C.NO.
A 12-18-61 113530 B 06-04-62 114147 C 12-19-62 114177B D 09-16-63 118575B

728800

6728001

PSS MEMORY RING

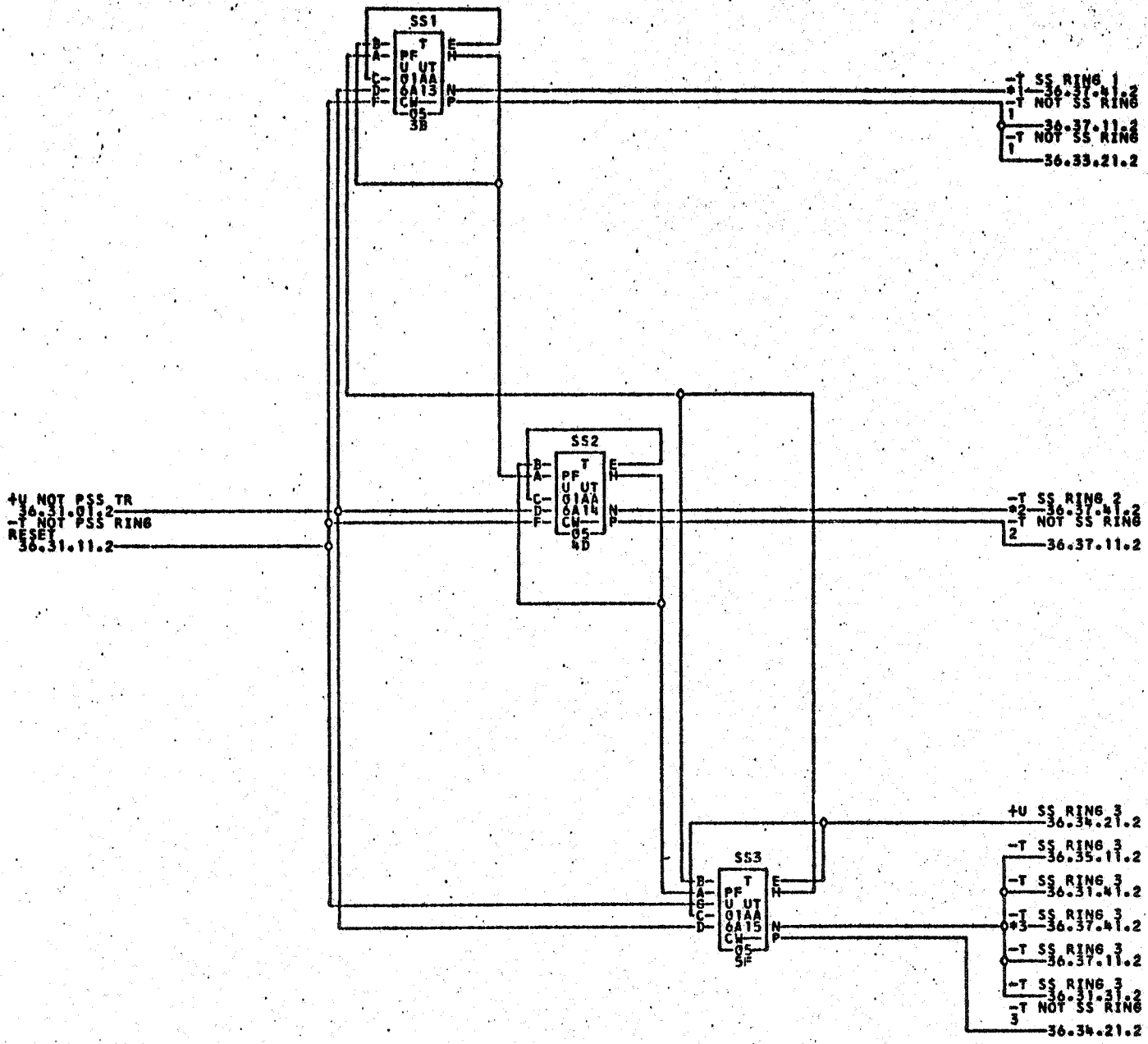
1401 PF

36.31.21.2

TAG DATE

A 5.4.62
TA 1233B

B 25.3.63
TA 1795



*1-01A6B25A

*2-01A6B25B

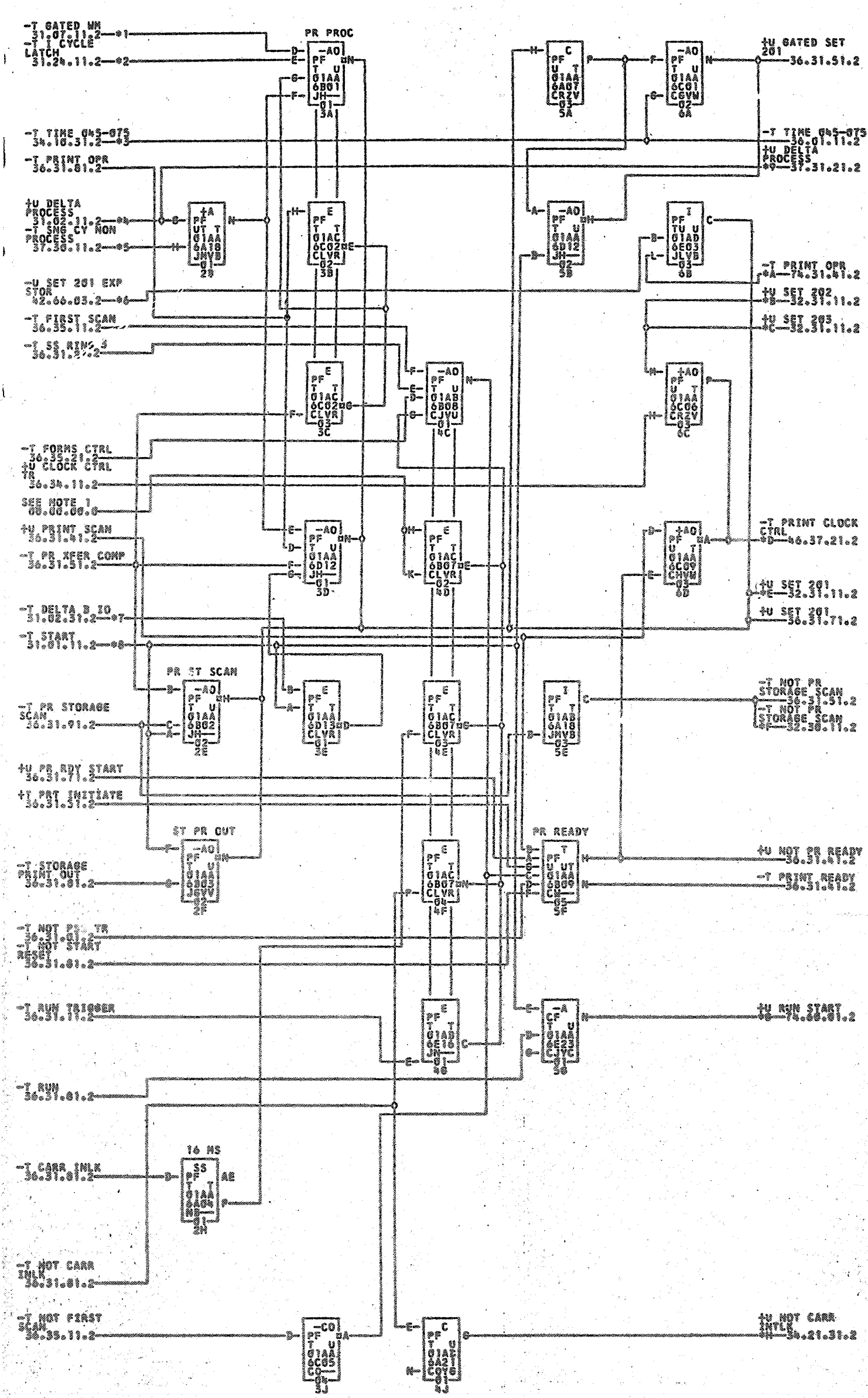
*3-01A6B25C

728801

1795

COMMENTS

TAG DATE	E.C.NO.	TAG DATE	E.C.NO.	TAG DATE	E.C.NO.	TAG DATE	E.C.NO.
A 12-18-61	113530	B 12-19-62	114177B				

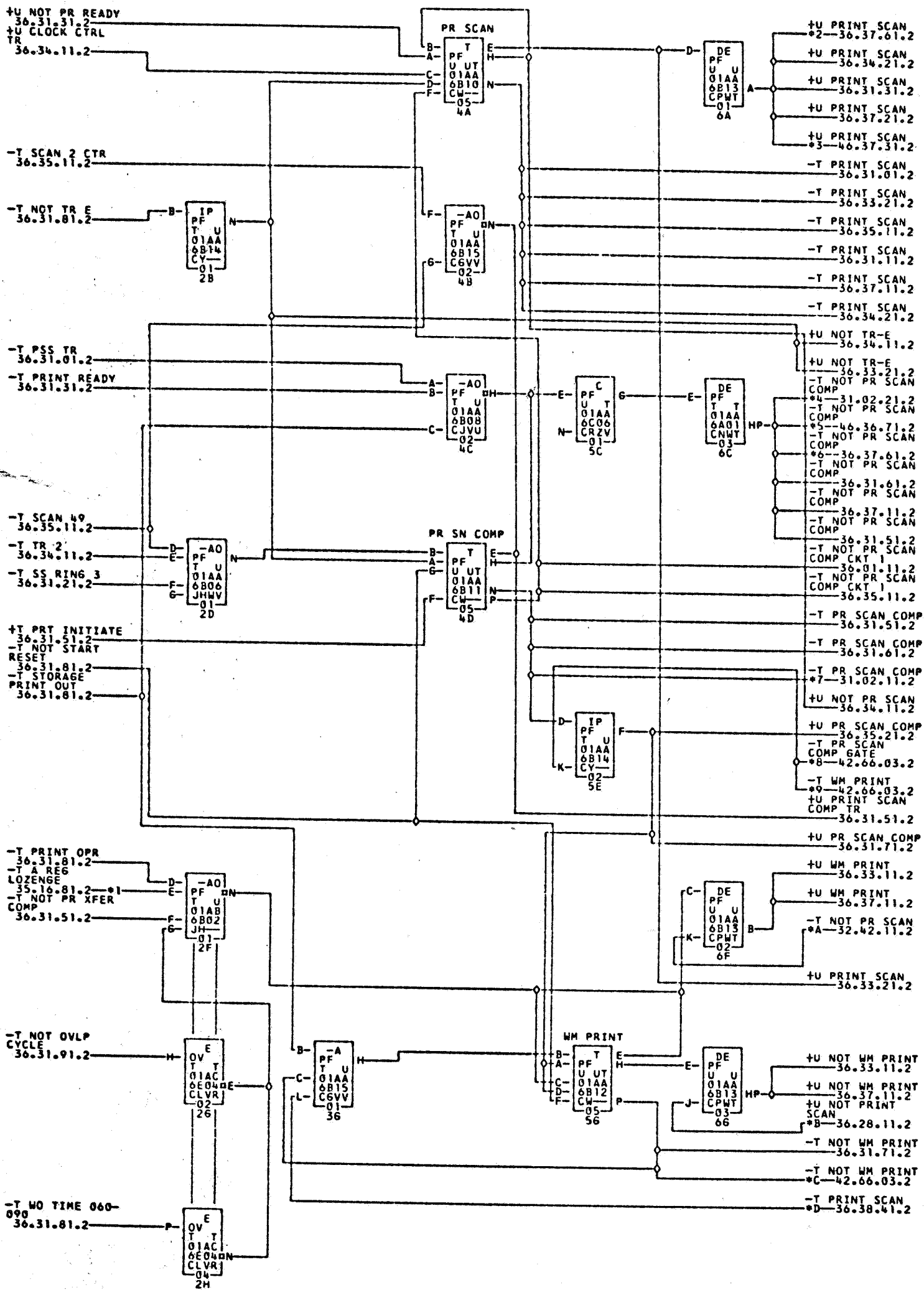


*1	01A6C25F	*2	01A6E208	*3	01A6F725B	*4	01A6E226	*5	01A6E226	*6	01A6E226	*7	01A6E226	*8	01A6E226
*9	01A6E226	*10	01A6E226	*11	01A6E226	*12	01A6E226	*13	01A6E226	*14	01A6E226	*15	01A6E226	*16	01A6E226
*17	01A6E226	*18	01A6E226	*19	01A6E226	*20	01A6E226	*21	01A6E226	*22	01A6E226	*23	01A6E226	*24	01A6E226
*25	01A6E226	*26	01A6E226	*27	01A6E226	*28	01A6E226	*29	01A6E226	*30	01A6E226	*31	01A6E226	*32	01A6E226

NOTE 1 TO ALLOW PRINTING TO BEGIN ONLY WITH HOME PULSE, CHANGE JUMPER FROM 907K TO A10N

TAG DATE 12-18-61 FIC NO. 113538 TAG DATE 06-04-62 FIC NO. 115187 TAG DATE 12-19-62 FIC NO. 115179 TAG DATE 06-07-63 FIC NO. 115179

728002

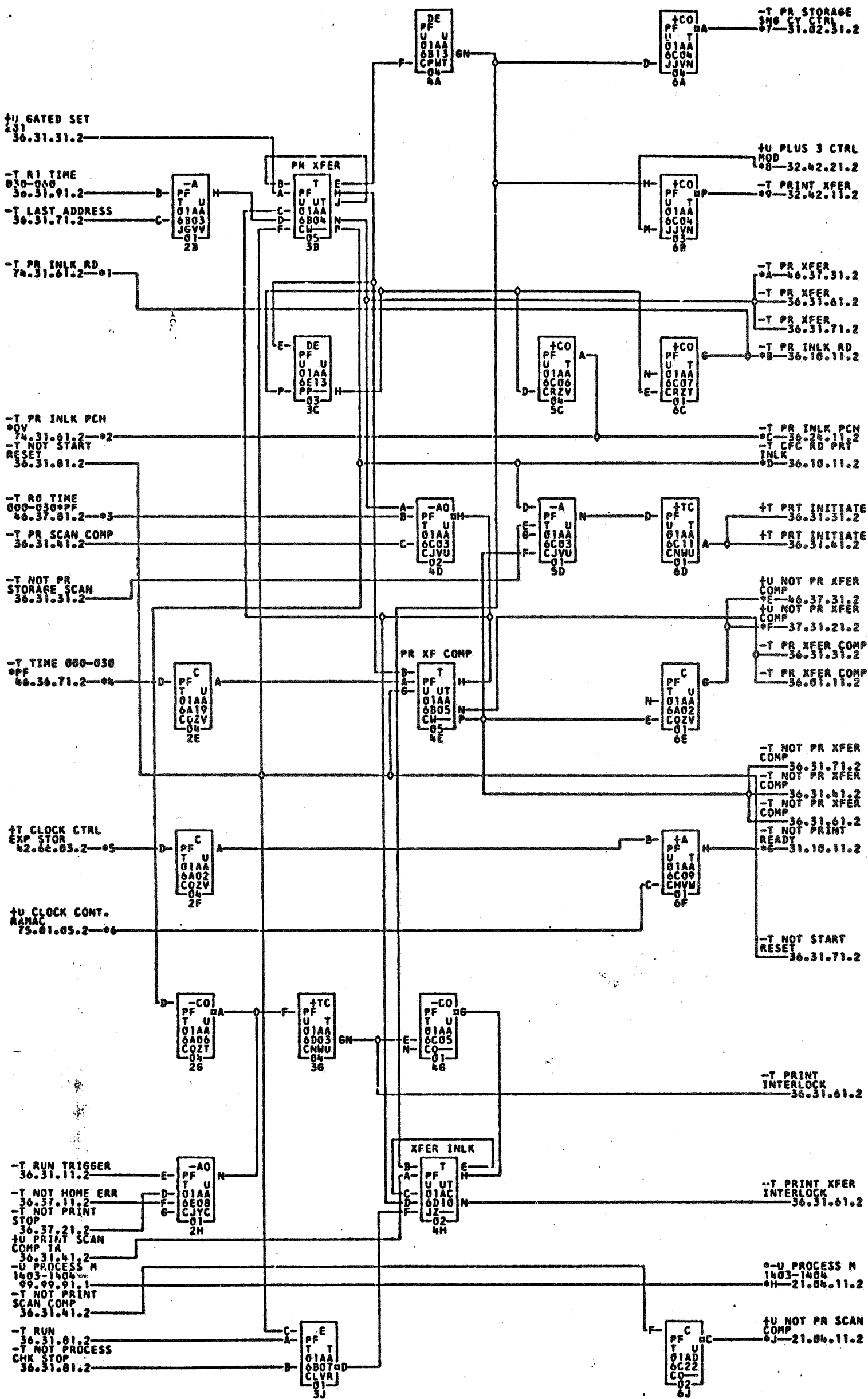


- *1-01A6B26R
- *2-01A6B25E
- *3-01A6C24F
- *4-01A6E26R
- *5-01A6C24A
- *6-01A6B25K
- *7-01A6E26Q
- *8-01A6E24B
- *9-01A6E24C
- *A-01A6C26M
- *B-01A6D25L
- *C-01A6E24D
- *D-01A6B25J
- *E-01A7A25M
- *F-06B7A14B
- *G-01A6C25H
- *H-06B7A14C
- *I-06B7A14D

COMMENTS

TAG DATE	E.C.NO.	TAG DATE	E.C.NO.	TAG DATE	E.C.NO.	TAG DATE	E.C.NO.
A 12-18-61	113530	B 01-23-62	113830	C 12-19-62	114177B	D 09-16-63	118575B

728803



- 01-01A6F23L 02-01A6F23E 03-01A6A25A 04-01A6A25F 05-01A6E24K 06-06B7A14K
- 06-01A6D24K 07-01A6E26H 08-02A8F11A 09-01A6C266 07-01A6E26H 08-01A6C26H
- 08-01A7D25L 0A-01A6C26C 0A-01A7A25P *C-01A6F26D 08-01A7A25L
- 09-01A6C266 *B-01B4E010 *C-01A6C266 *D-01A6E26J
- 0A-01A6C26C *E-01A6F24J *E-01A6F26D *E-01A6E26J
- 0B-01B4E010 *F-01A6D26N *F-01A6F24J *G-01A6725N
- 0C-01B3B02N *H-01A6F24C *H-01A6F24C *J-01A6F24B
- 0D-01B3B02N *J-01A6F24B

COMMENTS: SIGNALS PRECEDED BY AN ASTERISK INDICATE DIRECT CABLE EXPANSION.

TAG DATE E.C.NO. TAG DATE E.C.NO. TAG DATE E.C.NO. TAG DATE E.C.NO.

A 12-18-61 113530 B 06-20-62 114153 C 12-19-62 114177 D 09-16-63 118575B

1728804

872805

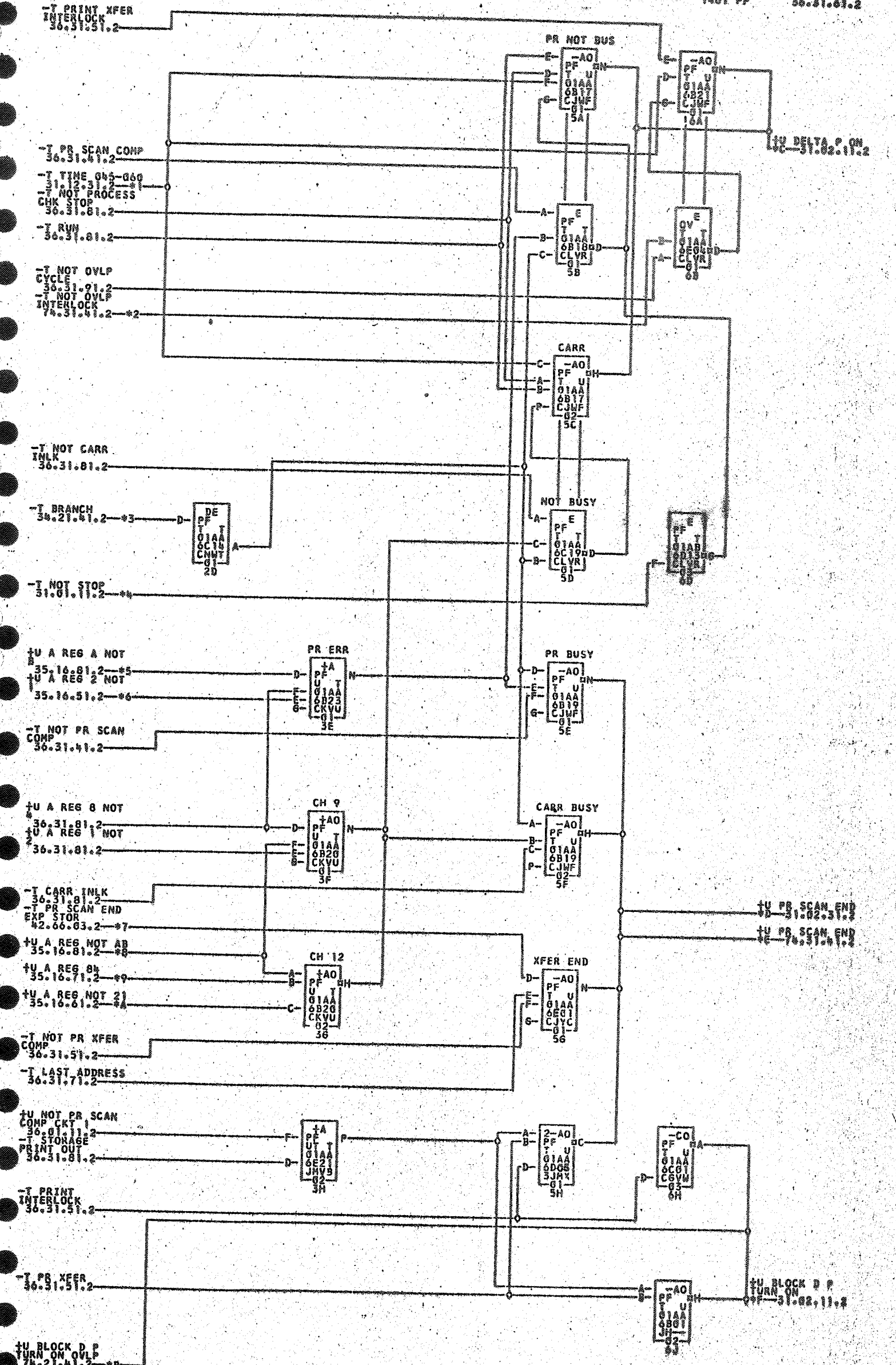
DELTA PROCESS CONTROL PRINT

1401 PF 36-31-81.2

TAG DATE

A 5.4.62
TA 12338

B 25.3.63
TA 1795



- #1 - 01A6A250
- #2 - 01A6F23M
- #7 - 02A9A19F
- #8 - 02B1E02H
- #3 - 01A6F25A
- #4 - 01A6B250
- #9 - 01A6F250
- #5 - 01A6C239F
- #6 - 01A6F239F
- #10 - 01A6B250
- #11 - 02A9A19F
- #12 - 02B1E02H
- #13 - 01A6F25A
- #14 - 01A6B250
- #15 - 01A6F250
- #16 - 02A9A19F
- #17 - 02B1E02H
- #18 - 01A6F25A
- #19 - 01A6B250
- #20 - 01A6F250

COMMENTS

TAG DATE 12-18-61 515330 TAG DATE 12-19-62 515178 TAG DATE 8.C.NO. TAG DATE 8.C.NO.

1795
72805

8728806

PRINT READY START + AFTER SPACE CTRL

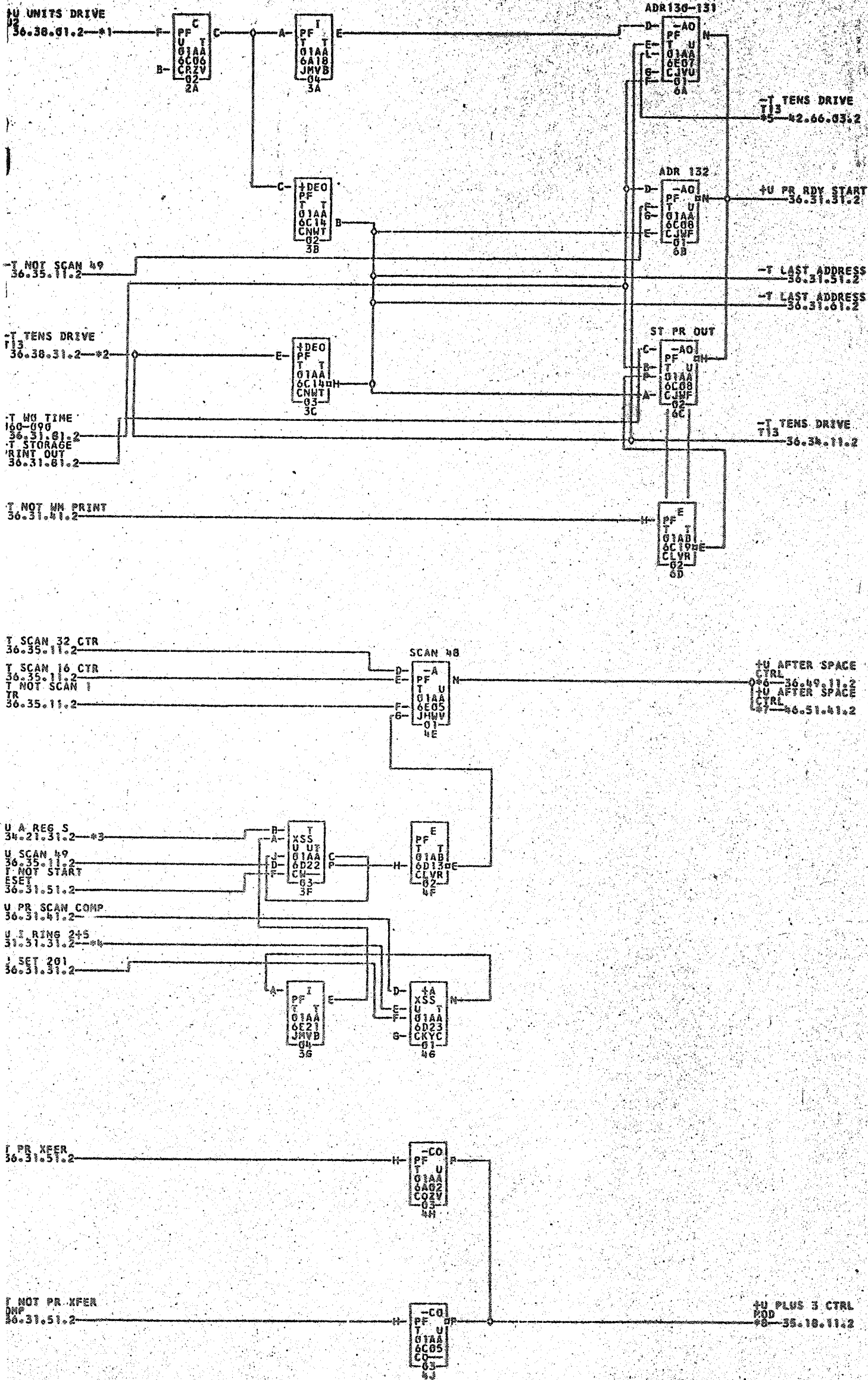
1A01 PF

36.31.71.2

TAG DATE

A 5.4.62
TA 1233B

B 25.3.63
TA 1795



- *1-01A6825L *2-01A6825M *3-01A6F25N *4-01A6F25P *5-01A6E25A *6-01A6A25A
- *7-01A6825A *8-01A6825B *9-01B7E03A *10-01B7D03N *11-01A6E25B *12-01A6A25B
- *13-01A6825C *14-01A6825D *15-01A6F25R *16-01A6F25R

1795
728806

COMMENTS

TAG DATE	SIC NO.	TAG DATE	SIC NO.	TAG DATE	SIC NO.	TAG DATE	SIC NO.
A 12-18-61	113510	A 12-17-61	113178				

0728807

DISTRIBUTION SHEET 1

1401 PF

36.31.61.2

TAG DATE

C 9.1.63
TA 1395A

D 25.3.63
TA 1795

+U A REG 8 NOT
35.16.71.2-#1

+U A REG 8 NOT
36.01.11.2
+U A REG 8 NOT
36.31.61.2

+U A REG 1 NOT
35.16.61.2-#2

+U A REG 1 NOT
36.01.11.2
+U A REG 1 NOT
36.31.61.2

-T NOT I-O
CHECK RESET
37.31.11.2-#3

-T NOT I-O CHK
RESET
36.31.11.2
-T NOT I-O CHR
RESET
36.37.11.2
-T NOT I-O CHR
RESET
36.37.51.2
-T NOT I-O CHR
RESET
46.36.81.2

-T RUN
37.30.11.2-#4

-T RUN
36.31.31.2
*G-70.31.51.2
-T RUN
36.31.61.2

-T NOT PROCESS
CHK STOP
31.62.11.2-#5

-T RUN
36.31.51.2
-T NOT PROCESS
CHK STOP
36.31.61.2
-T NOT PROCESS
CHK STOP
36.31.51.2
-T STORAGE
PRINT OUT
*H-74.60.01.2
-T STORAGE
PRINT OUT
36.31.31.2

-T STORAGE
PRINT OUT
37.30.12.2-#6

-T STORAGE
PRINT OUT
36.31.41.2
-T STORAGE
PRINT OUT
36.31.71.2
-T STORAGE
PRINT OUT
36.31.61.2
-T STORAGE
PRINT OUT
*H-74.80.20.2

-T NOT TR E
46.37.21.2-#7

-T NOT TR E
36.31.41.2

-T CARR INLK
36.48.31.2-#8

-T CARR INLK
36.31.31.2

-T CARR INLK
36.31.61.2

-T NOT CARR
INLK
36.48.31.2-#9

-T NOT CARR
INLK
36.31.31.2
-T NOT CARR
INLK
36.31.61.2

-T PRINT OPR
35.27.11.2-#A

-T PRINT OPR
36.31.31.2
-T PRINT OPR
36.31.41.2

-T NOT START
RESET
37.30.31.2-#B

-T PRINT OPR
36.31.51.2
-T NOT START
RESET
36.01.11.2
-T NOT START
RESET
36.31.31.2
-T NOT START
RESET
36.31.41.2
-T NOT START
RESET
36.31.51.2

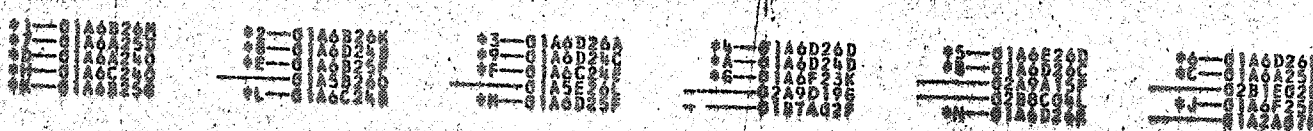
-T MG TIME
060-090
46.37.61.2-#C

-T NOT START
RESET
36.35.21.2
*K-70.37.51.2
-T NOT START
RESET
36.36.11.2
-T NOT START
RESET
46.37.11.2
-T NOT START
RESET
41.23.21.2

-T MG TIME 060-
090
36.34.11.2
-T MG TIME 060-
090
36.31.71.2
-T MG TIME 060-
090
36.31.41.2

+U DELTA OVRLAP
CYCLE
36.31.21.2-#D

+U DELTA OVRLAP
CYCLE
37.31.61.2



728 807
1795

6728008

DISTRIBUTION SHEET 2

1401 PF 36.31.91.2

TAG DATE

A 5.4.62
TA 1233B

B 25.3.63
TA 1795

+U 1 LATCH
46.18.21.2 -#1

+U 1 LATCH
36.35.11.2
+U 1 LATCH
36.37.11.2

+U 2 LATCH
46.18.21.2 -#2

+U 2 LATCH
36.35.11.2
+U 2 LATCH
36.37.11.2

-T PR STORAGE
SCAN
37.31.11.2 -#3

-T PR STORAGE
SCAN 36.31.31.2
-T PR STORAGE
SCAN 36.37.21.2
-T PR STORAGE
SCAN 46.36.81.2

-T I-O CHECK
STOP SW ON
37.30.31.2 -#4

-T I-O CHECK
STOP SW ON 74.31.41.2
-T I-O CHECK
STOP SW ON 36.37.21.2
-T I-O CHECK
STOP SW ON 73.11.83.2

-T TR E
46.37.21.2 -#5

-T TR E 36.31.81.2
-T TR E 36.34.11.2
-T TR E 36.33.21.2

-T PR ERR CHECK
LATCH
46.18.41.2 -#6

-T PR ERR CHECK
LATCH 36.37.11.2
-T PR ERR CHECK
LATCH 36.37.21.2

+U PR START KEY
N-O
31.01.11.2 -#7

+U START KEY RP
N-O 31.01.11.2
+U PR START KEY
31.01.11.2
+U PR START KEY
36.35.21.2

-T R1 TIME
030-060
46.37.81.2 -#8

-T R1 TIME
030-060 36.37.41.2
-T R1 TIME
030-060 36.31.81.2

-T PR LINE COMP
LATCH
46.18.41.2 -#9

-T PR LINE COMP
LATCH 36.31.11.2
-T PR LINE COMP
LATCH 36.37.11.2

-T NOT OVLP
CYCLE
74.31.21.2 -#10

-T NOT OVLP
CYCLE 36.31.61.2
-T NOT OVLP
CYCLE 36.31.41.2

#1-01A6B24A
#7-01A6A206
#8-02B1E82J
#9-01A6C83J

#2-01A6B24B
#6-01A6F208
#C-01A6C248
#F-01A6E248

#3-01A6D20H
#9-01A6A25H
#D-01A6F23H
#E-01A6B25H

#4-01A6D26K
#A-01A6B24N
#B-02A9A13F

#5-01A6A25E
#8-01A6F23N
#E-02B1E82E

#6-01A6B24M
#2A-02A9A16
#E-01A6F25J

COMMENTS

TAG DATE E.C.NO. TAG DATE E.C.NO. TAG DATE E.C.NO. TAG DATE E.C.NO.

1795
728808

0728809

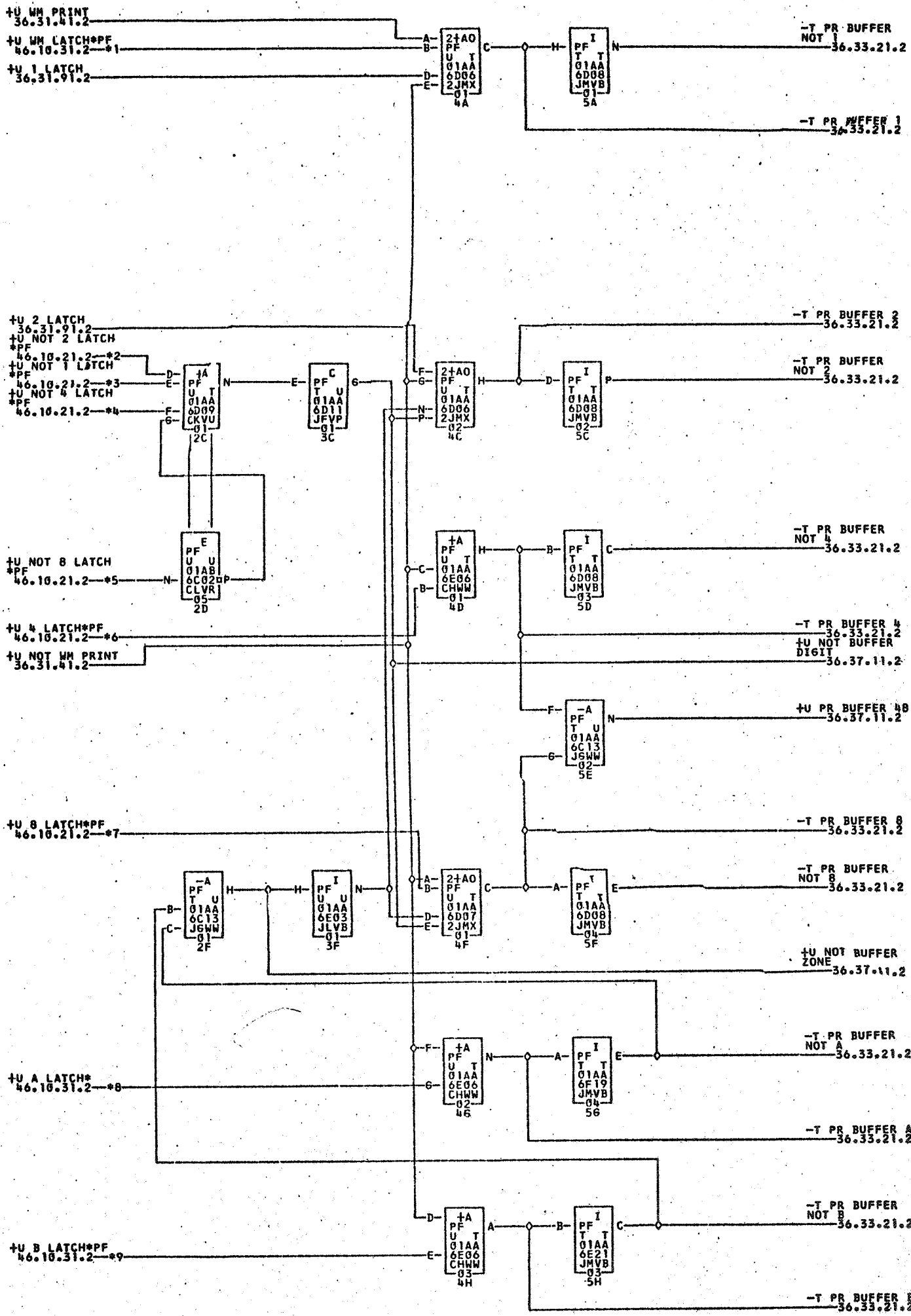
BUFFER REGISTER ADJUST PRINT

1401 PF .36.33.11.2

TAG DATE

A 5.4.62
TA 1233B

B 25.3.63
TA 1795



- *1—01A6B24G
- *2—01A6B24J
- *3—01A6B24H
- *4—01A6B24K
- *5—01A6B24L
- *6—01A6B24C
- *7—01A6B24D
- *8—01A6B24E
- *9—01A6B24F

COMMENTS

TAG DATE	E.C.NO.	TAG DATE	E.C.NO.	TAG DATE	E.C.NO.	TAG DATE	E.C.NO.
A 12-18-61	113530	B 12-19-62	114177B				

728809 1795

0728810

PRINT COMPARE

1401 PF

36.33.21.2

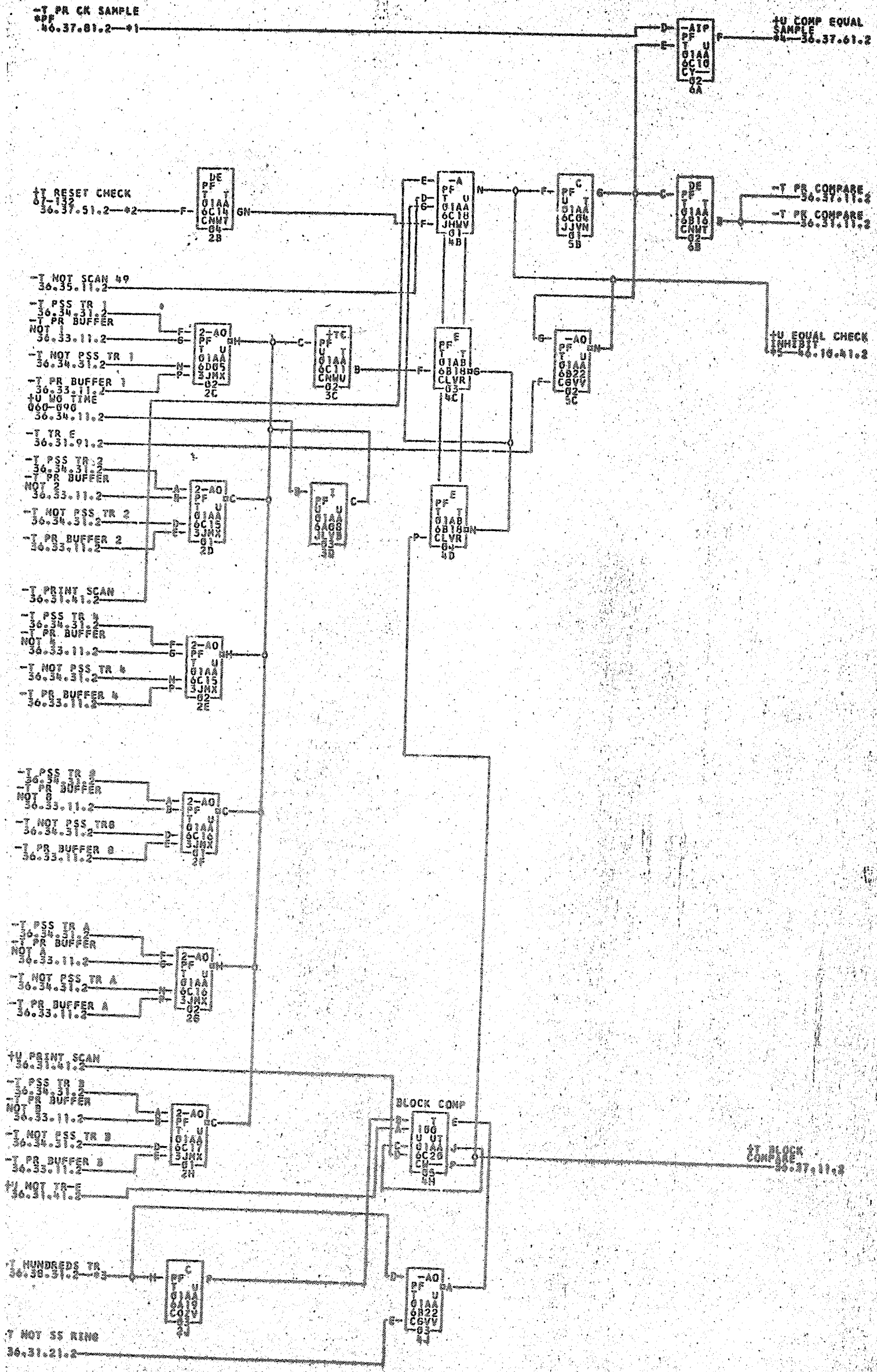
TAG DATE

A 5.86.82

A 1233B

B 25.8.68

TA 1795



- #1-01A6A25C
- #2-01A6B25P
- #3-01A6B25N
- #4-01A6B25H
- #5-01A6B24R

1795
728810

COMMENTS: USED ONLY WITH THE PRINT POSITIONS

TAG DATE	TAG DATE	TAG DATE	S.C.NO.	TAG DATE	S.C.NO.
12-14-61 113899	12-14-62 116199	11/6/69			

6728811

SS COUNTER ADJUST CONTROL TRIGGERS

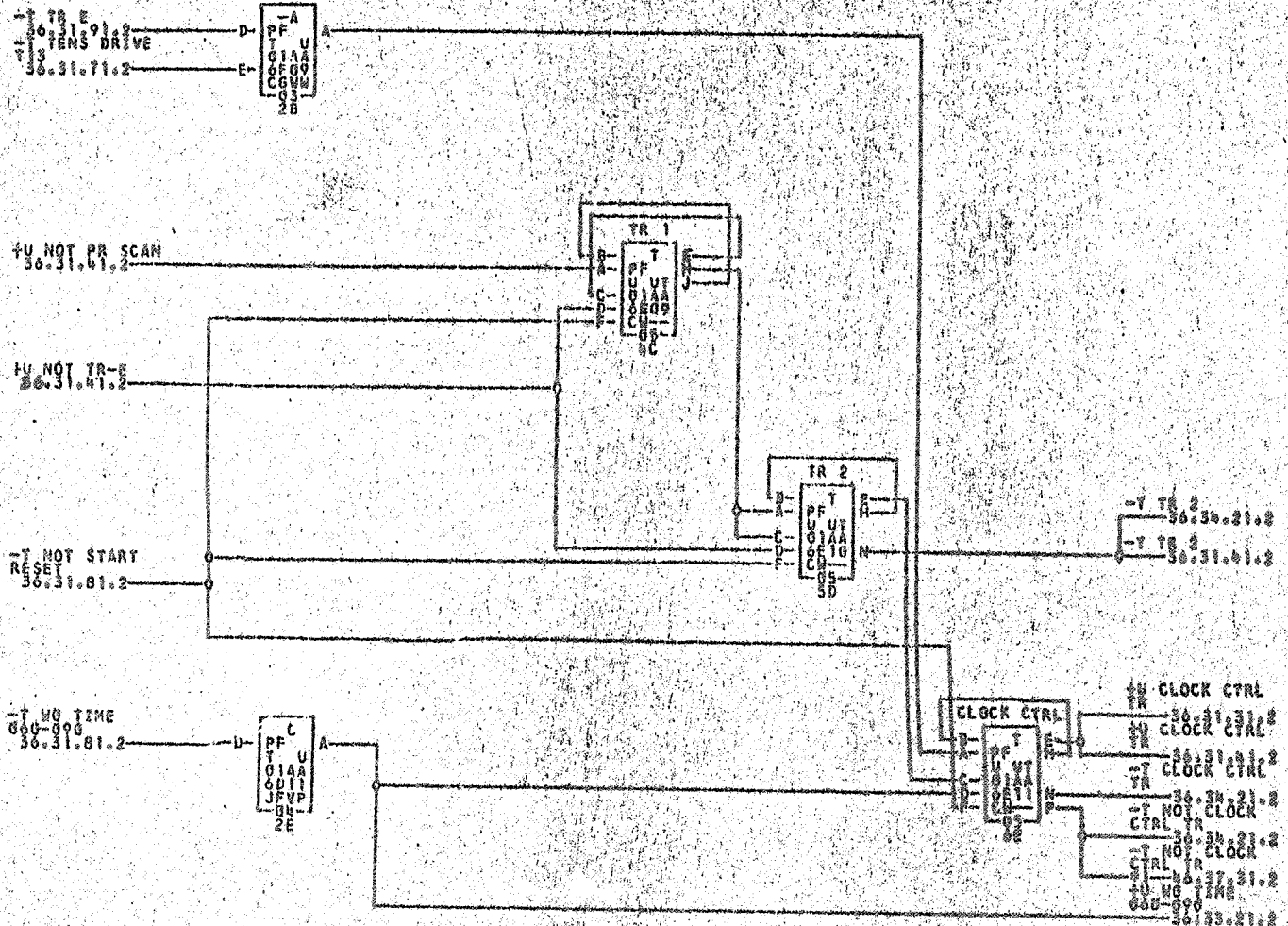
1401 PF

30.31.11.2

TAG DATE

A 5.4.62
TA 1233B

B 25.3.63
TA 1785



*1-81A6C24K

COMMENTS

TAG DATE	S.C.NO.	TAG DATE	S.C.NO.	TAG DATE	S.C.NO.	TAG DATE	S.C.NO.
12-10-61	118190	12-10-62	515178				

728811

2 1795

0728813

PSS COUNTER

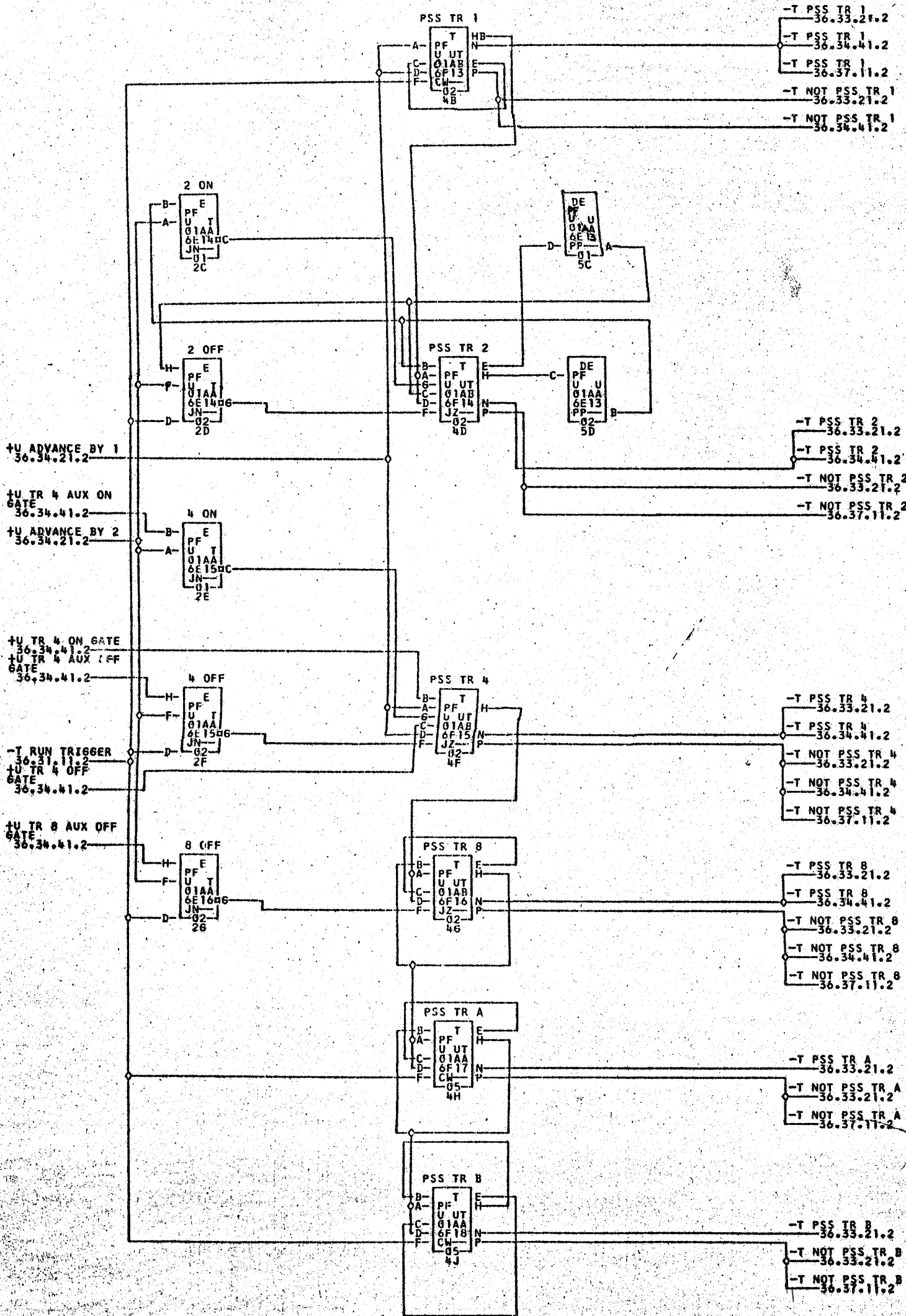
1401 PF

36.34.31.2

TAG DATE

A 5.4.62
TA 1233B

B 25.3.63
TA 1795



1795
728813

COMMENTS

TAG DATE	E.C.NO.	TAG DATE	E.C.NO.	TAG DATE	E.C.NO.	TAG DATE	E.C.NO.
A 12-10-61	115530	B 12-19-62	114178				

0720014

PSS COUNTER CONTROL GATES

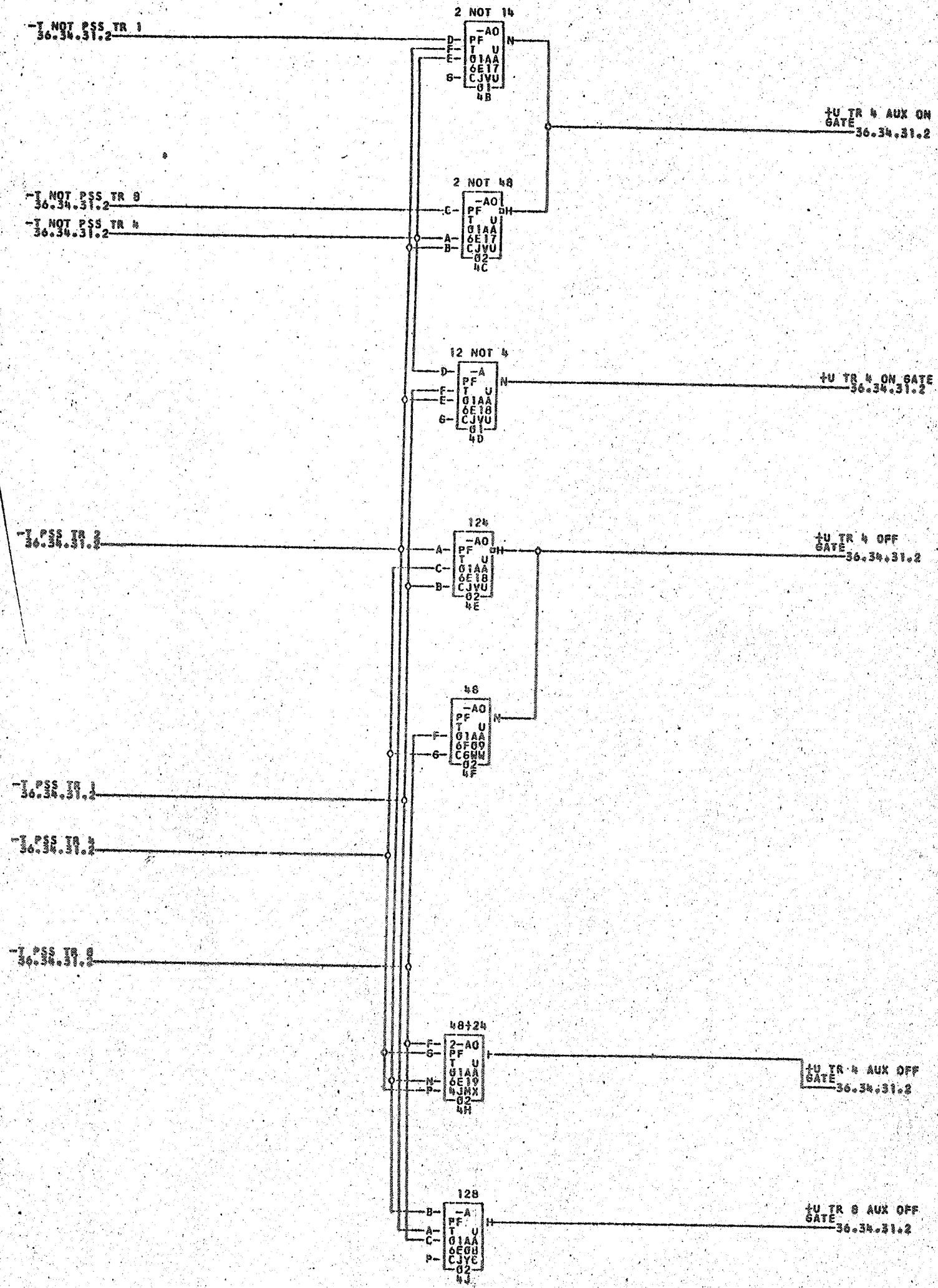
1401 PF

36.34.41.2

TAG DATE

A 5.4.62
TA 1233B

B 25.3.63
TA 1795



COMMENTS

TAG DATE A 12-10-61 FIG NO 113530

TAG DATE B 12-14-62 FIG NO 116177

TAG DATE

E.C.NO.

TAG DATE

E.C.NO.

728814
1795

8728815

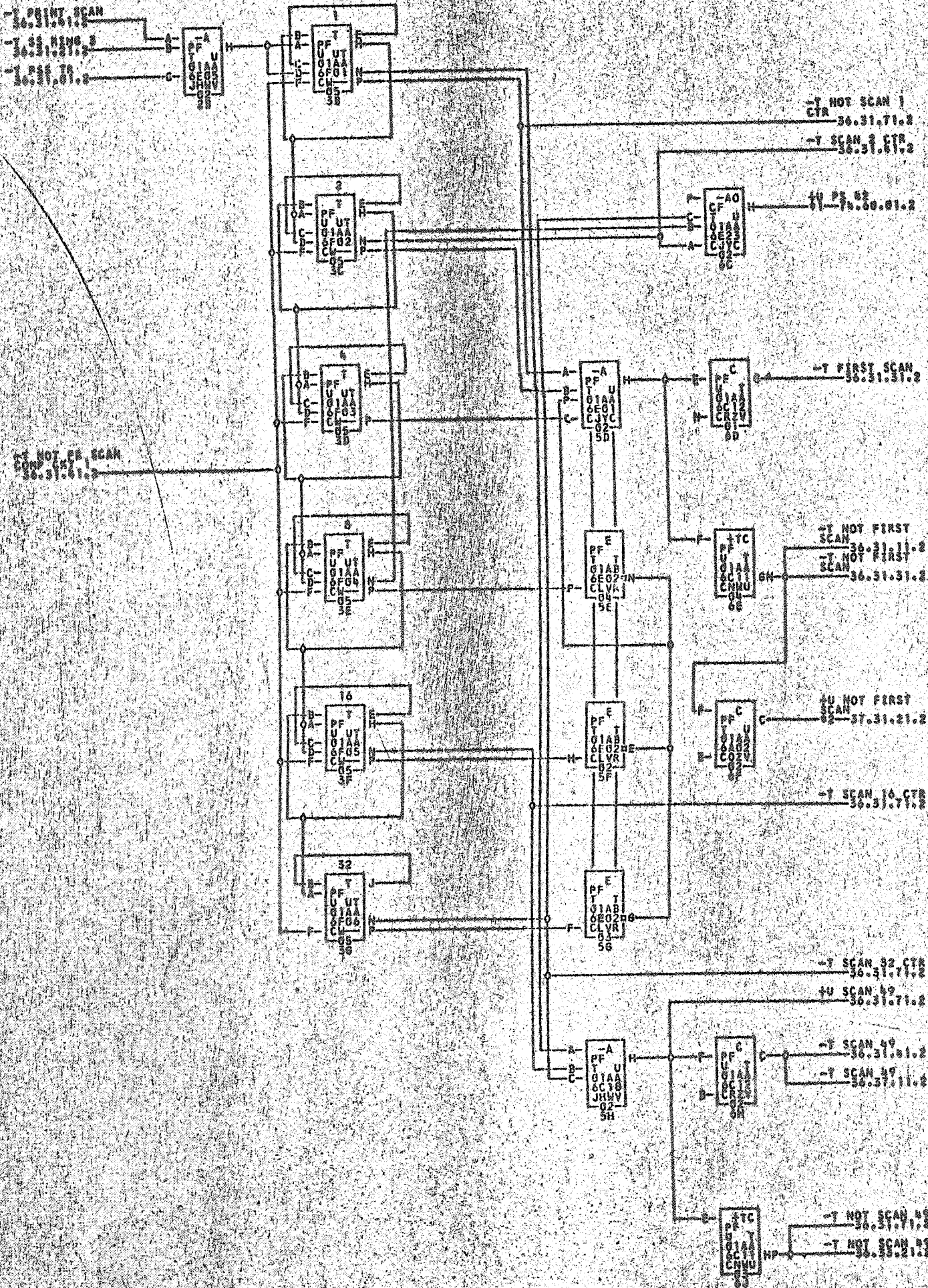
PRINT SCAN COUNTER

1001 PF 88.33.11.2

TAG DATE

A 5.4.62
ATA 1233B

B 25.3.63
TA #1795



01-01A6C34N

01A5024N

01A5E26K

02A9D17G

02B8C64K

02-01A6D24P

COMMENTS

REF	DATE	BY	REVISION	DATE	BY	REVISION
1	10-12-61	115120	1	10-12-61	115120	1
2	10-12-61	115120	2	10-12-61	115120	2

728815

8728614

SINGLE CYCLE PRINT CONTROLS

1461 PF

36.35.21.2

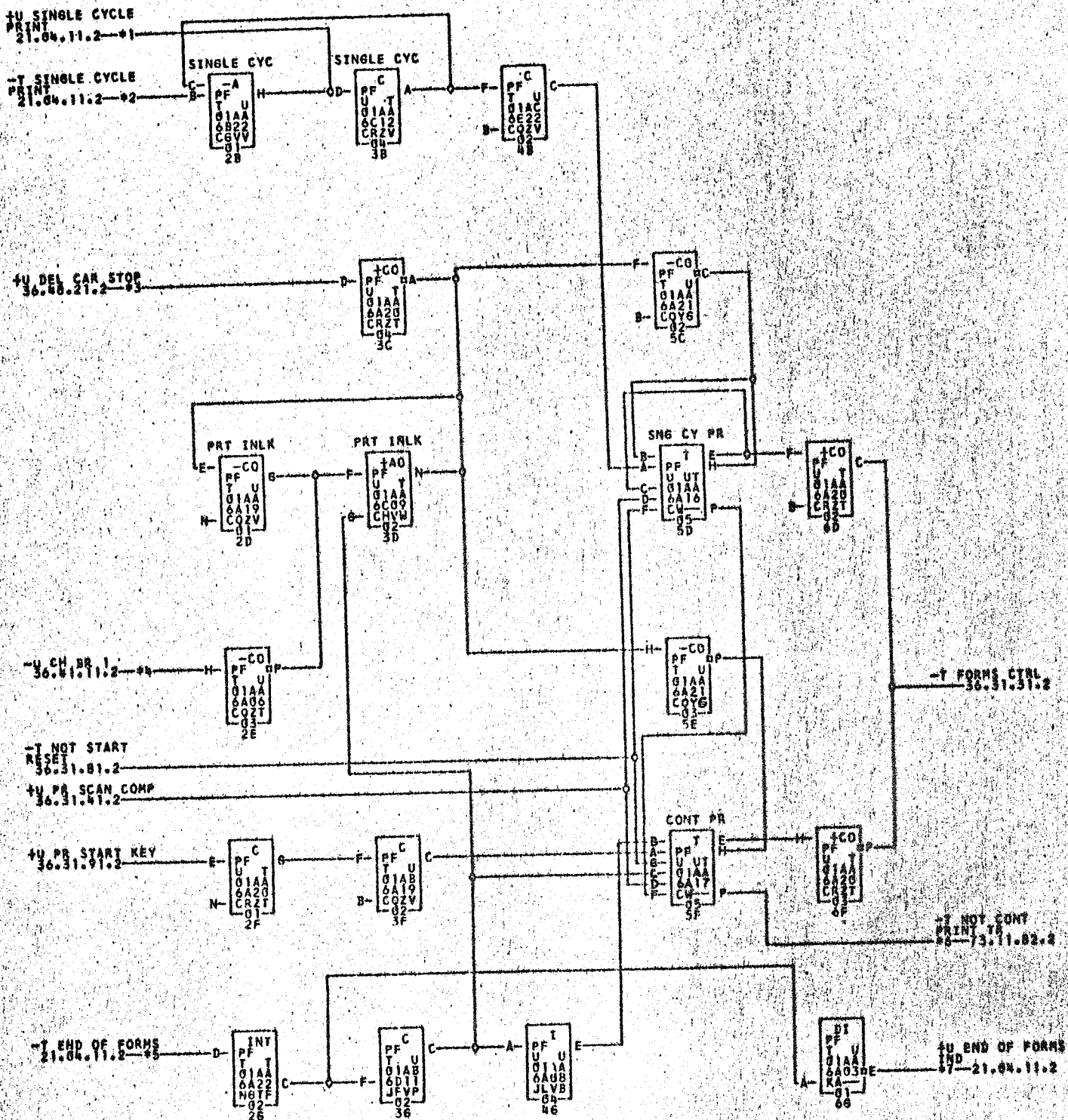
TAG DATE

B 30.8.69

TA 1441

C 25.3.63

TA 1795



*1-01A6A26P
*1-01A6A26Q

*2-01A6A26R

*3-01A6D24B

*4-01A6D24E

*5-01A6A26M

*6-01A6F25H

COMMENTS

TAG DATE 12-18-61 FIG NO. 113538

TAG DATE 06-04-62 FIG NO. 116107

TAG DATE 12-19-62 FIG NO. 116198

TAG DATE 8.C.NO.

018971

0728817

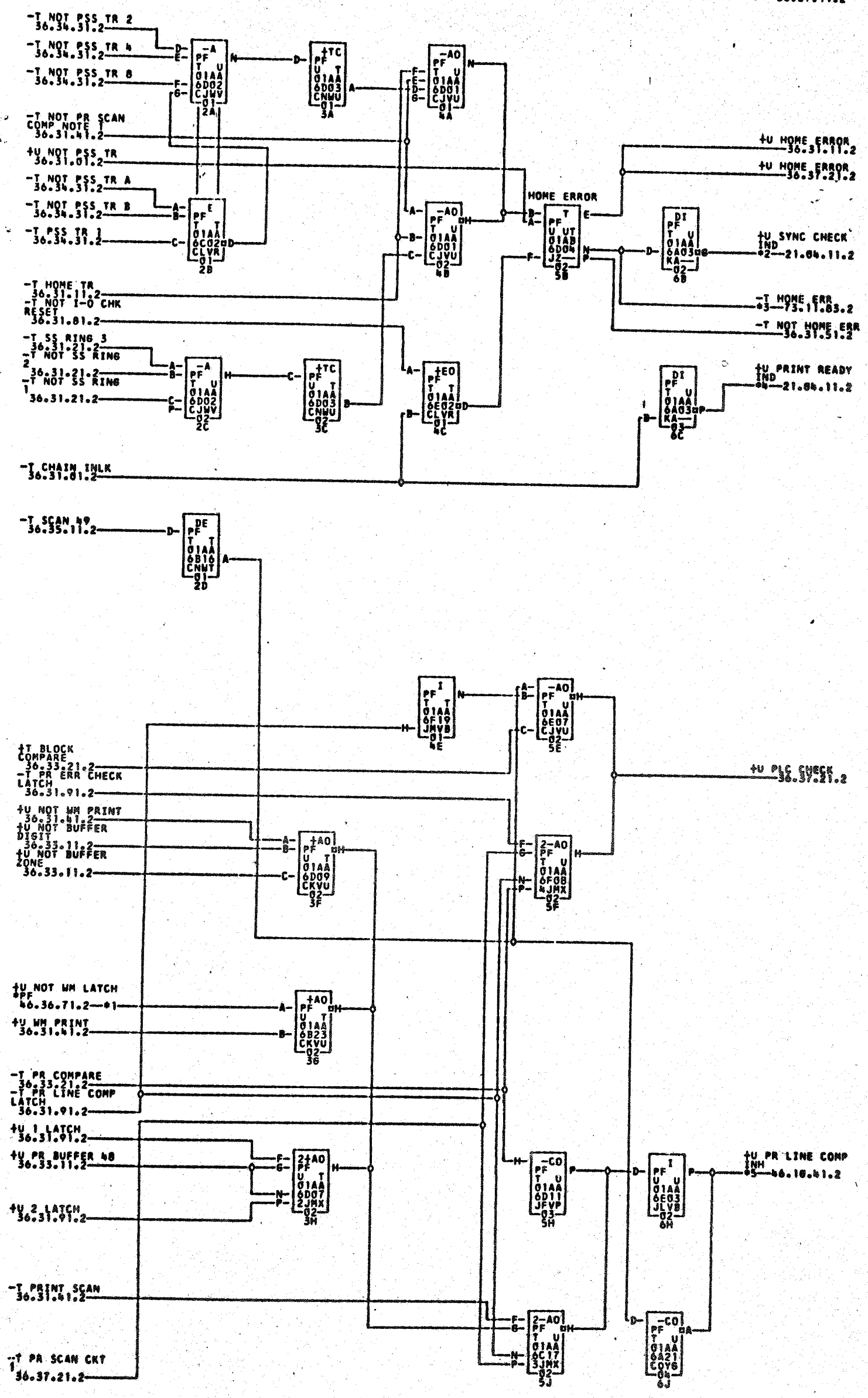
HOME ERROR + PRINT LINE COMP CTRLS

1401 PF 36.37.11.2

TAG DATE

B 25.8.63
TA 1795

C 8.10.63
TA 1965A



- *1-01A6C24P 01A5D26K
- *2-01A6A26C 01A5E25J
- *3-01A6F256 01A4E25J
- 01B6C836
- *4-01A6A26L
- *5-01A6A25K

728817
1965A

NOTE 1 TO ALLOW SYNC CHECKS TO OCCUR WHEN NOT PRINTING, CHANGE JUMPER FROM AO1H TO AO1K

TAG DATE	E.C.NO.	TAG DATE	E.C.NO.	TAG DATE	E.C.NO.	TAG DATE	E.C.NO.
A 12-18-61	113530	B 12-19-62	114177B	C 06-07-63	114197		

0728810

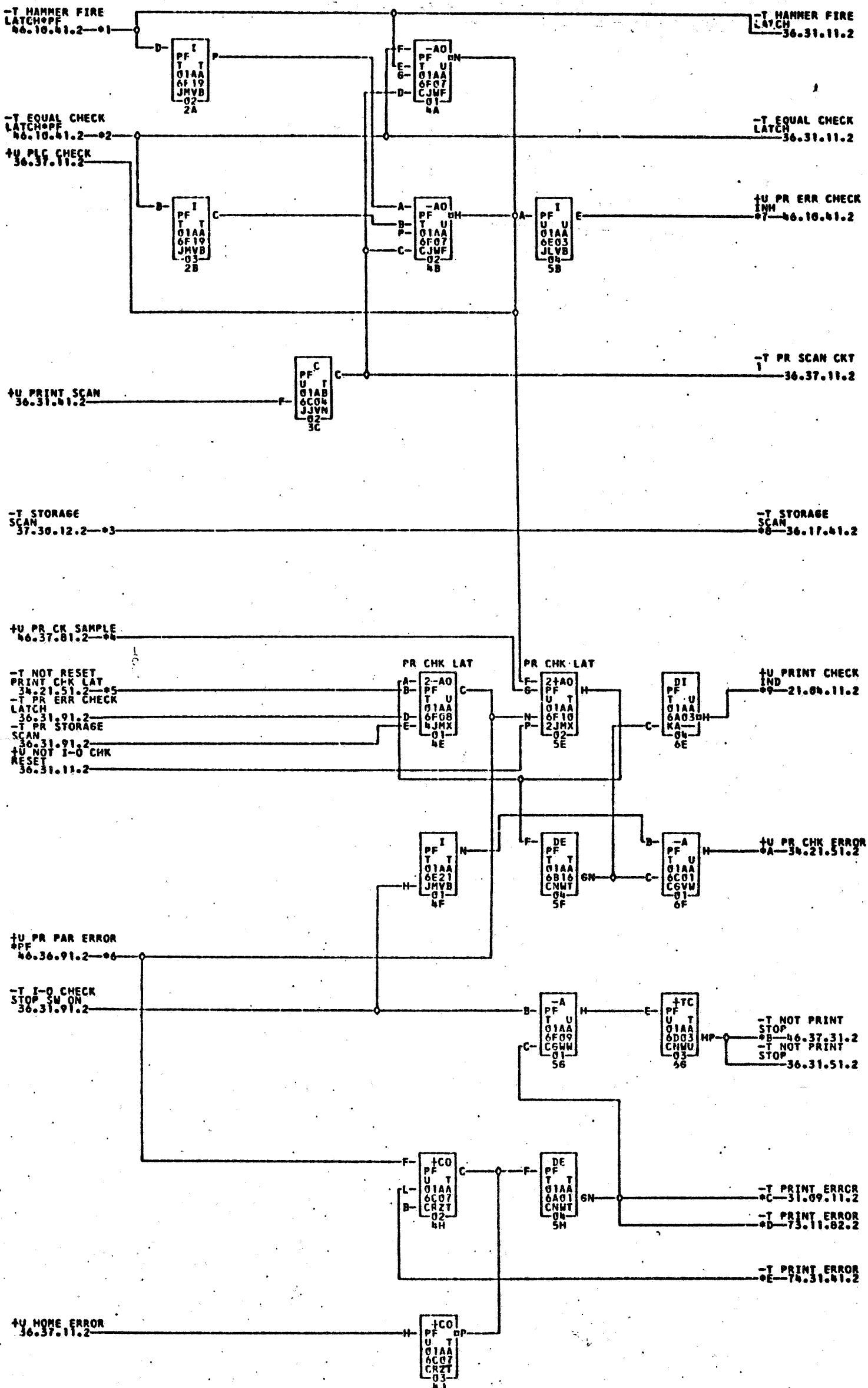
PRINT ERROR

1401 PF 36.37.21.2

TAG DATE

A 5.4.62
TA 1233B

B 25.3.63
TA 1795



- *1-01A6B24Q
- *2-01A6B24P
- *3-01A6D266
- *4-01A6A25J
- *5-01A6F25D
- *6-01A6C24H
- *7-01A6A256
- *8-01A5D266
- *9-01A6F250
- *A-01A6F25C
- *B-01A6C24R
- *C-01A6E26P
- *D-01A6F250
- *E-01A6F25K
- *F-02A9A11F
- *G-02B1E02D

COMMENTS

TAG DATE E.C.NO. TAG DATE E.C.NO. TAG DATE E.C.NO. TAG DATE E.C.NO.

A 12-18-61 113530 B 12-19-62 116177B

1795
720048

0728019

FEED THROUGH SHEET

1401 PF

36.37.31.2

TAG DATE

-T NOT CHK
RESET PR
21.04.11.2--*1

-T NOT CHK
RESET PR
37.31.11.2
-T NOT CHK
RESET PR
36.48.21.2

A 5.4.62
TA 1233B

+U INHIBIT XU11
36.17.41.2--*2

+U INHIBIT XU11
42.58.11.2

B 25.3.63
TA 1795

+U INHIBIT YU12
36.17.41.2--*3

+U INHIBIT YU12
42.58.11.2

+U INHIBIT YL13
36.17.41.2--*4

+U INHIBIT YL13
42.58.11.2

+U INHIBIT XL14
36.17.41.2--*5

+U INHIBIT XL14
42.58.11.2

-T START RELAY
37.10.11.2--*6

-T START RELAY
42-21.04.11.2

-T START RELAY
CTRL
37.10.11.2--*7

-T START RELAY
CTRL
43-21.04.11.2

+U NOT PR START
KEY
21.04.11.2--*8

+U NOT PR START
KEY
44-31.01.11.2

+U PCH ADDRESS
SET UP CTRL
36.22.11.2--*9

+U PCH ADDRESS
SET UP CTRL
45-32.31.11.2

+U RD ADDRESS
SET UP CTRL
36.11.11.2--*A

+U RD ADDRESS
SET UP CTRL
46-32.31.21.2

+U STORAGE RO
GATE
32.33.31.2--*B

+U STORAGE RO
GATE
47-46.37.81.2

+U PFR GEN 001
56.12.11.2--*C

+U PFR GEN 001
48-32.31.11.2

+U PFR OVL 001
36.16.11.2--*D

+U B REG 1
35.11.21.2--*E

+U B REG 1
49-36.19.21.2

+U B REG 2
35.11.61.2--*F

+U B REG 2
4A-36.19.21.2

+U B REG 4
35.12.21.2--*G

+U B REG 4
4B-36.13.31.2

+U B REG 8
35.12.61.2--*H

+U B REG 8
4C-36.13.31.2

-T LAST ADDRESS
56.80.11.2--*J

-T LAST ADDRESS
4D-36.18.11.2

+U B REG B
35.13.61.2--*K

+U B REG B
4E-56.13.11.2

-T PR STOP KEY
21.04.11.2--*L

-T PR STOP KEY
4F-31.01.11.2

-T STOP KEY PC
36.16.11.2--*M

-T 51 COLUMN
36.11.11.2--*N

-T 51 COLUMN
4G-56.80.11.2

+U TRANS SCAN
56.12.11.2--*P

+U TRANS SCAN
4H-36.13.11.2

-T I-O CHECK
STOP SW OFF
37.30.31.2--*Q

-T I-O CHECK
STOP SW OFF
4J-36.17.41.2

-T ALLOW B REG
CHECK
35.30.21.2--*R

-T ALLOW B REG
CHECK
4K-77.40.31.2

+U ADDR STOP
COMP SYNC
32.45.31.2--*S

+U ADDR STOP
COMP SYNC
4L-75.01.03.2

+U CF OPR
74.61.01.2--*T

+U CF OPR
4M-74.60.01.2

+U NOT CF OPR
74.61.01.2--*U

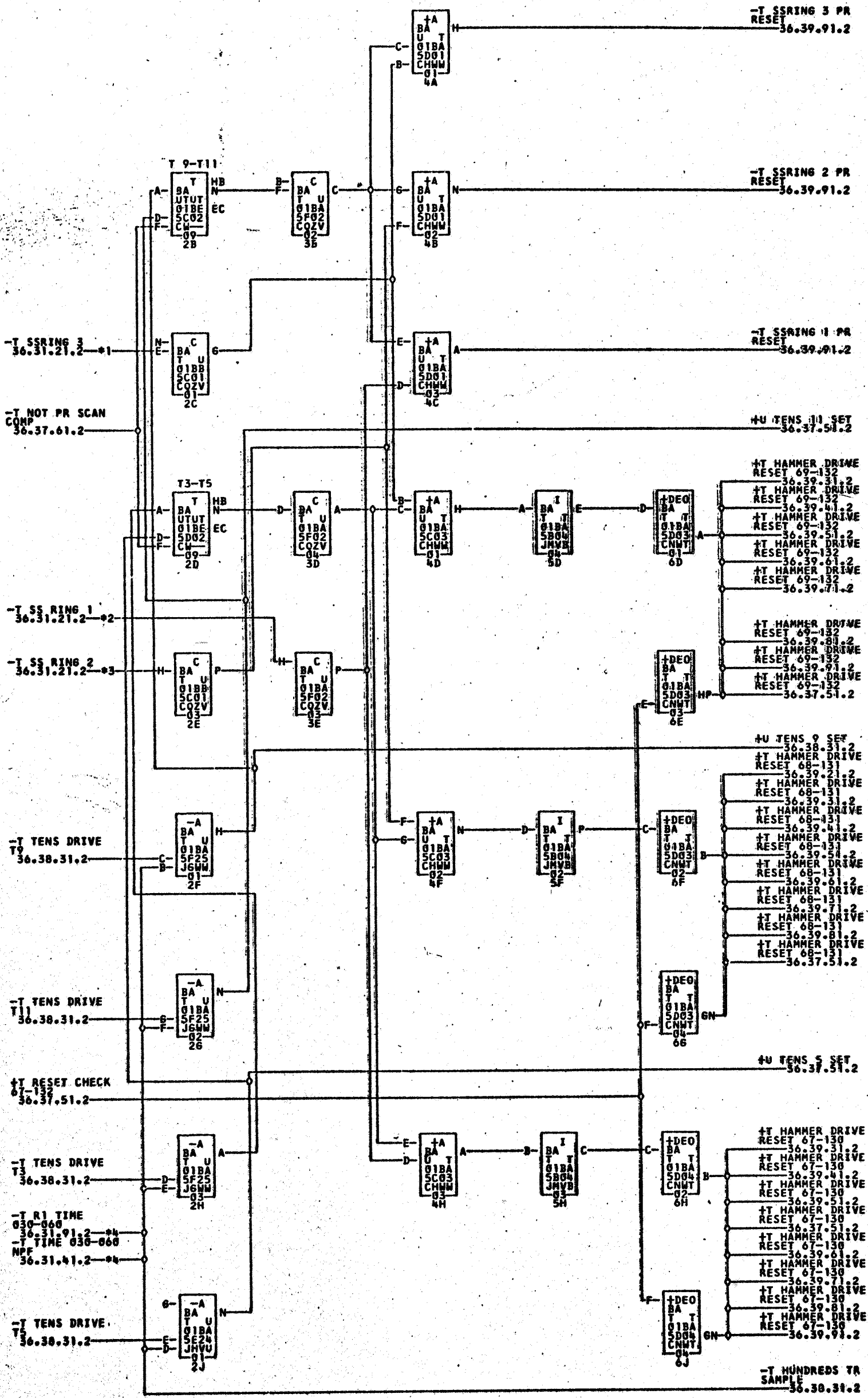
+U NOT CF OPR
4N-32.31.11.2

*1-01A6A26N	*2-01A6D25G	*3-01A6D25H	*4-01A6D25J	*5-01A6D25K	*6-01A6D26H
*7-01A6D26J	*8-01A6A26A	*9-01A6F26E	*A-01A6F26F	*B-01A6C26K	*C-01A6D25M
*D-01A6F26G	*E-01A6B26A	*F-01A6B26B	*G-01A6B26C	*H-01A6B26D	*I-01A6C26L
*K-01A6E26F	*L-01A6A26H	*M-01A6F26H	*N-01A6F26I	*P-01A6D26D	*Q-01A6D26L
*R-01A6A26H	*S-01A6A26H	*T-01A6D25A	*U-01A6D25B	*V-01A6D26B	*W-01A6D26F
*X-01A6A26A	*Y-01A6A26B	*Z-01A6A26C	*AA-01A6A26D	*AB-01A6A26E	*AC-01A6F26J
*AD-01A6E26A	*AE-01A6C26A	*AF-01A6C26B	*AG-01A6C26C	*AH-01A6C26L	*AI-01A6E26L
*AJ-01A6F26K	*AK-01A6F26L	*AL-01A6F26M	*AM-01A6F26N	*AN-01A6F26P	*AO-01A6E26L
*AP-01A6C26K	*AQ-01A6C26L	*AR-01A6D25E	*AS-01A6D25F	*AT-01A6D25G	*AU-01A6A26L
*AV-01A6D26K	*AW-01A6D26L	*AX-01A6D26M	*AY-01A6D26N	*AZ-01A6D26P	*BA-01A6A26K
*BB-01A6D26Q	*BC-01A6D26R	*BD-01A6D26S	*BE-01A6D26T	*BF-01A6D26U	*BG-01A6A26K
*BH-01A6D26V	*BI-01A6D26W	*BJ-01A6D26X	*BK-01A6D26Y	*BL-01A6D26Z	
*BM-01A6D26AA	*BN-01A6D26AB	*BO-01A6D26AC	*BP-01A6D26AD	*BQ-01A6D26AE	
*BR-01A6D26AF	*BS-01A6D26AG	*BT-01A6D26AH	*BU-01A6D26AI	*BV-01A6D26AJ	
*BW-01A6D26AK	*BX-01A6D26AL	*BY-01A6D26AM	*BZ-01A6D26AN	*CA-01A6D26AO	
*CB-01A6D26AP	*CC-01A6D26AQ	*CD-01A6D26AR	*CE-01A6D26AS	*CF-01A6D26AT	
*CG-01A6D26AU	*CH-01A6D26AV	*CI-01A6D26AW	*CJ-01A6D26AX	*CK-01A6D26AY	
*CL-01A6D26AZ	*CM-01A6D26BA	*CN-01A6D26BB	*CO-01A6D26BC	*CP-01A6D26BD	
*CQ-01A6D26BE	*CR-01A6D26BF	*CS-01A6D26BG	*CT-01A6D26BH	*CU-01A6D26BI	
*CV-01A6D26BJ	*CW-01A6D26BK	*CX-01A6D26BL	*CY-01A6D26BM	*CZ-01A6D26BN	
*CA-01A6D26BO	*CB-01A6D26BP	*CC-01A6D26BQ	*CD-01A6D26BR	*CE-01A6D26BS	
*CF-01A6D26BT	*CG-01A6D26BU	*CH-01A6D26BV	*CI-01A6D26BW	*CJ-01A6D26BX	
*CK-01A6D26BY	*CL-01A6D26BZ	*CM-01A6D26CA	*CN-01A6D26CB	*CO-01A6D26CC	
*CP-01A6D26CD	*CQ-01A6D26CE	*CR-01A6D26CF	*CS-01A6D26CG	*CT-01A6D26CH	
*CU-01A6D26CI	*CV-01A6D26CJ	*CW-01A6D26CK	*CX-01A6D26CL	*CY-01A6D26CM	
*CZ-01A6D26CN	*DA-01A6D26CO	*DB-01A6D26CP	*DC-01A6D26CQ	*DD-01A6D26CR	
*DE-01A6D26CS	*DE-01A7E24H				

COMMENTS TAG DATE E.C.NO. TAG DATE E.C.NO. TAG DATE E.C.NO. TAG DATE E.C.NO.

A 12-18-61 113530 B 12-19-62 114177B

728019 1795

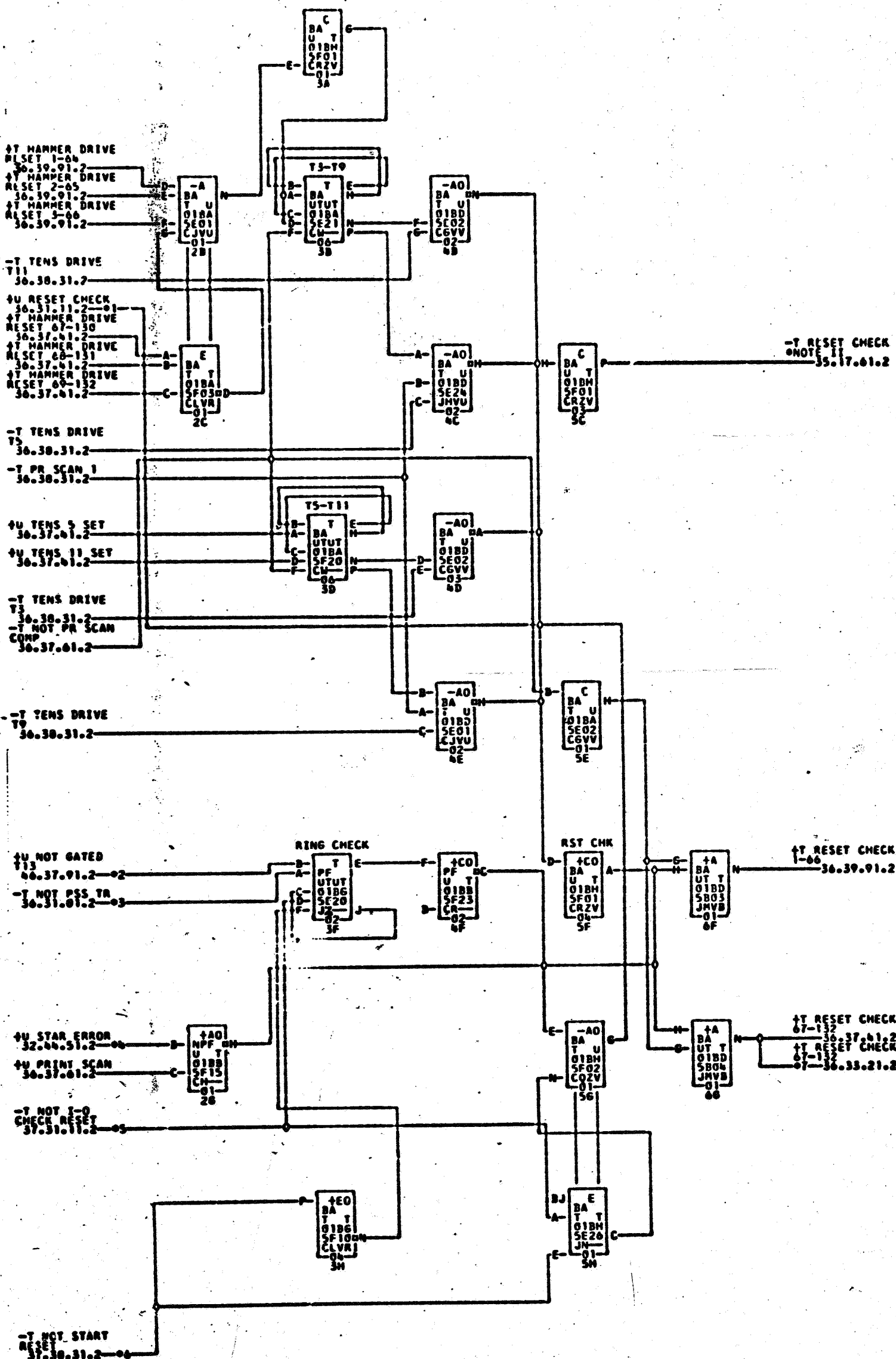


*1-01B5A24C *2-01B5A24A *3-01B5A24B *4-01B5A24R

1775
722340

G 12.3.63
TA 1775

H 18.6.63
TA 1859



- 01-0185A200
- 02-0185A02R
- 03-0185A20D
- 04-0185A230
- 05-0185A24F
- 06-0185A246

722341

1857

0722342

DISTRIBUTION SHEET

1401 BA

36.37.01.2

TAG DATE

B 15.5.61
TA 37618A

C 12.3.63
TA 1775

+U PRINT SCAN
36.31.41.2-01

+U PRINT SCAN
36.37.51.2
+U PRINT SCAN
36.38.31.2

+U COMP EQUAL
SAMPLE
36.33.21.2-02

+U COMP EQUAL
SAMPLE
36.38.01.2
+U COMP EQUAL
SAMPLE
36.38.11.2

-T NOT PR SCAN
COMP
36.31.41.2-03

-T NOT PR SCAN
COMP
36.37.41.2
-T NOT PR SCAN
COMP
36.37.51.2

01-0185A24E

02-0185A24H

03-0185A24K

722342

COMMENTS

TAG DATE	E.C.NO.	TAG DATE	E.C.NO.	TAG DATE	E.C.NO.	TAG DATE	E.C.NO.
A 10-01-60	107501J	B 03-09-61	110431B	C 12-10-62	116749A		

0722343

FEED THROUGH SHEET

1401 BA

36.37.81.2

TAG DATE

C 22.2.62
TA 1179

D 12.3.63
TA 1775

-T HUNDREDS
ZERO
32.40.31.2-01

-T HUNDREDS
ZERO
33-36.17.11.2

-T HUNDREDS
ONE
32.40.31.2-02

-T HUNDREDS
ONE
34-36.28.11.2

01-01B5A23M

02-01B5A23P

03-01B5A25N

04-01B5A25P

01B7C02P

COMMENTS

TAG DATE	E.C.NO.	TAG DATE	E.C.NO.	TAG DATE	E.C.NO.	TAG DATE	E.C.NO.
A 10-01-60	109501J	B 03-09-61	110431B	C 12-06-61	113422	D 12-10-62	116749A

722343

0722344

PRINT BUFFER TENS DRIVE

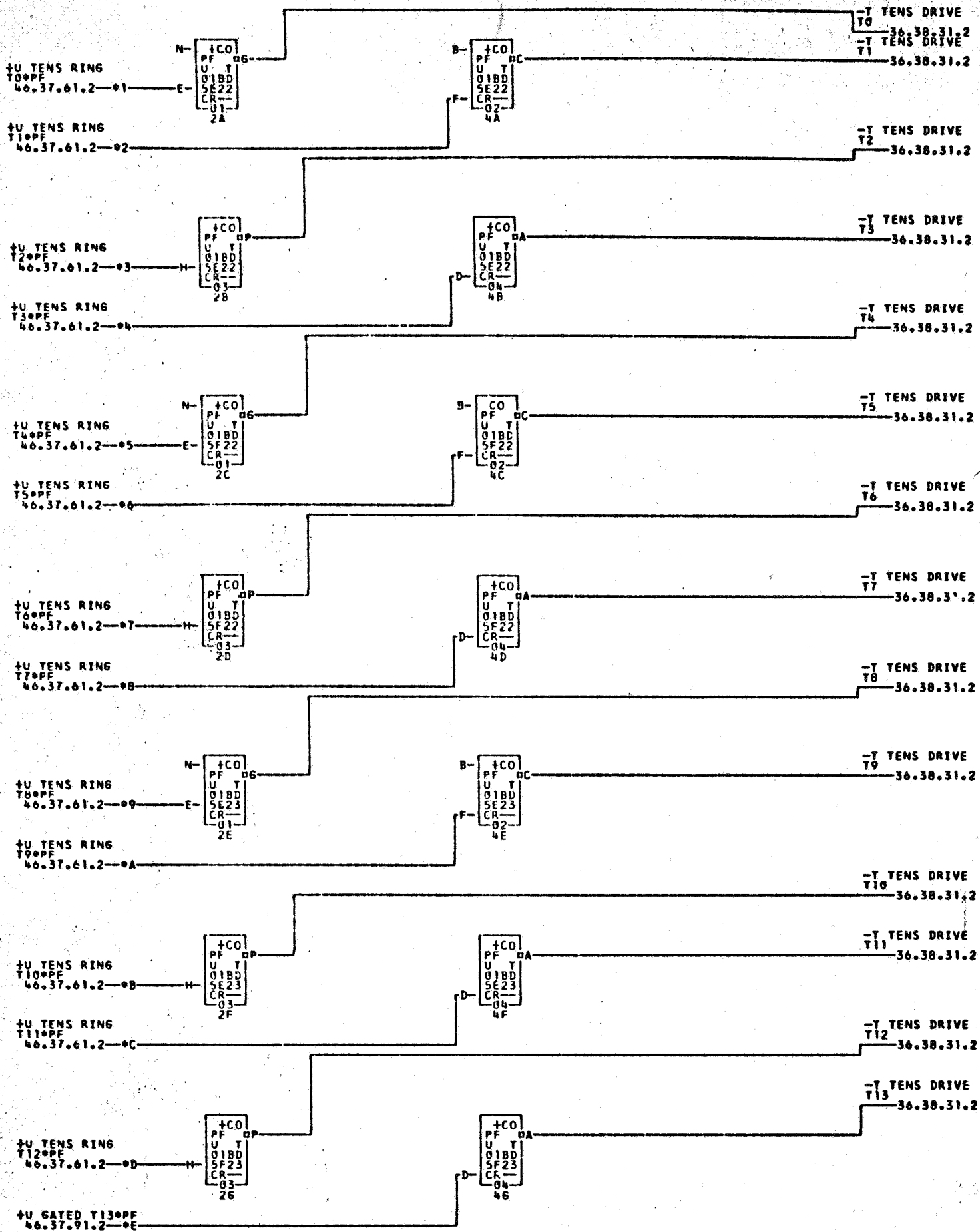
1401 BA

36.37.91.2

TAG DATE

C 22.2.62
TA 1179

D 12.3.63
TA 1775



- *1-01B5A02A
- *2-01B5A02B
- *3-01B5A02C
- *4-01B5A02D
- *5-01B5A02E
- *6-01B5A02F
- *7-01B5A026
- *8-01B5A024
- *9-01B5A02K
- *A-01B5A02L
- *B-01B5A02M
- *C-01B5A02N
- *D-01B5A02P
- *E-01B5A02Q

722344

COMMENTS
ADD E22 E23 F22 F23 FOR PRINT STORAGE

TAG DATE	E.C.NO.	TAG DATE	E.C.NO.	TAG DATE	E.C.NO.	TAG DATE	E.C.NO.
A 10-01-60	109501J	B 11-07-60	109524	C 12-06-61	113422	D 12-10-62	116759

0722345

U0-U4 HAMMER DRIVE

1401 BA

36.38.01.2

TAG DATE
B 12-10-63
TA 1772
C 18-6-63
TA 1859

+U UNITS RING
U0*PF
46.37.41.2-01
+U UNITS DECODE
U0
36.38.51.2-01

+U UNITS RING
U1*PF
46.37.41.2-02
+U UNITS DECODE
U1
36.38.51.2-02

+U UNITS RING
U2*PF
46.37.41.2-03
+U UNITS DECODE
U2
36.38.51.2-03

+U COMP EQUAL
SAMPLE
46.37.61.2

+U UNITS DECODE
U3
36.38.51.2-04
+U UNITS RING
U3*PF
46.37.41.2-04

+U UNITS DECODE
U4
36.38.51.2-05
+U UNITS RING
U4*PF
46.37.41.2-05

*1-01B5A01A

*2-01B5A01B

*3-01B5A01C

*4-01B5A01D

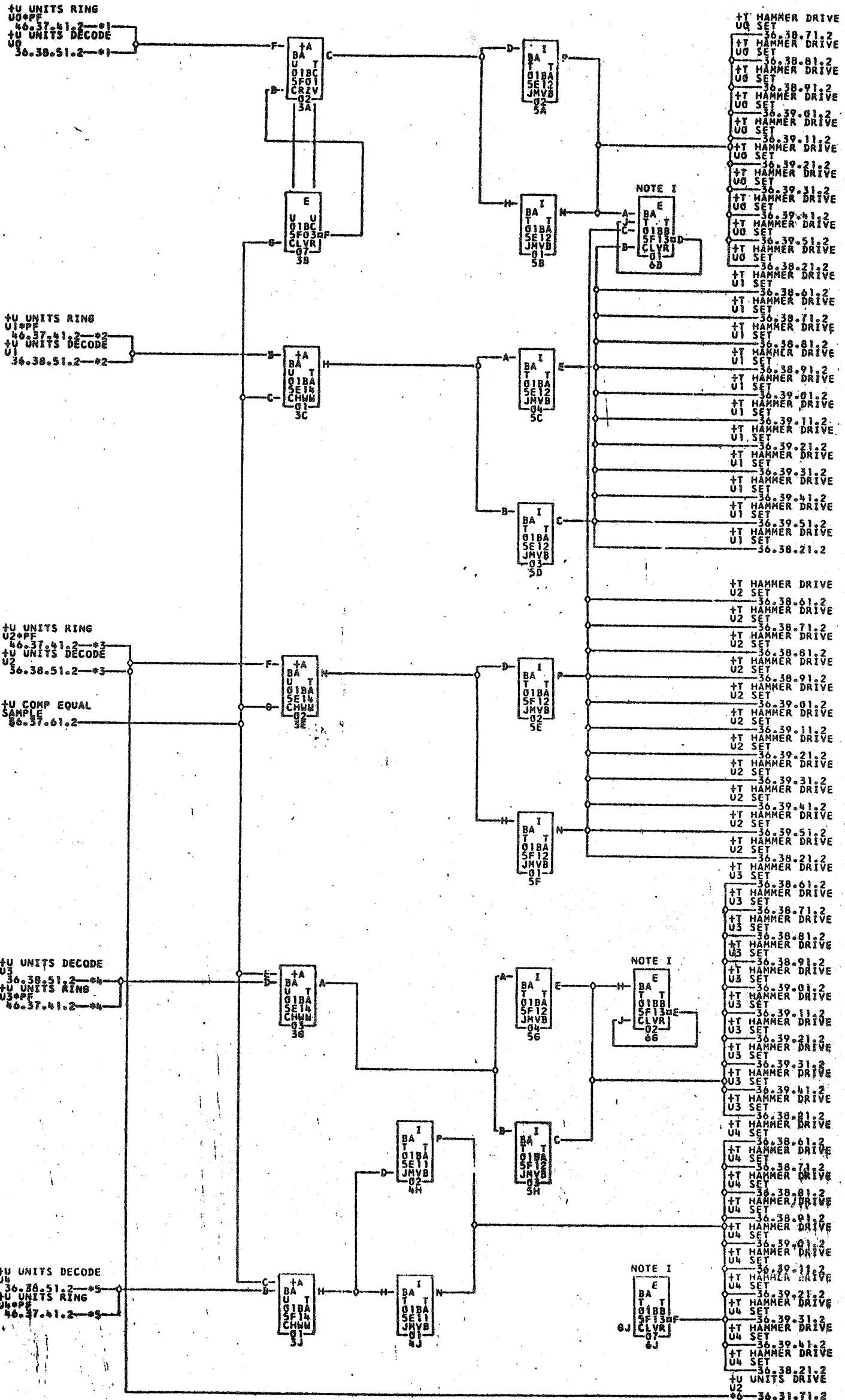
*5-01B5A01E

*6-01B5A24L

COMMENTS
ALL +U UNITS RING SIGNALS ARE FLOATING
WITHOUT PRINT STORAGE ALL +U UNITS
DECODE SIGNALS ARE FLOATING WITH PRINT
STORAGE
NOTE 1- DRIVE LINES CLAMPED TO GRD.

TAG DATE E.C.NO. TAG DATE E.C.NO. TAG DATE E.C.NO. TAG DATE E.C.NO.
A 10-01-60 109501J B 12-10-62 112749A C 04-10-63 117477

722345
1859



8722346

U5-U9 HAMMER DRIVE

1401 BA

36.38.11.2

TAG DATE

+U UNITS RING
U5*PF
46.37.51.2-#1
+U UNITS DECODE
U5
36.38.51.2-#1

+U UNITS RING
U6*PF
46.37.51.2-#2
+U UNITS DECODE
U6
36.38.51.2-#2

+U COMP EQUAL
SAMPLE
36.37.61.2

+U UNITS DECODE
U7
36.38.51.2-#3
+U UNITS RING
U7*PF
46.37.51.2-#3

+U UNITS DECODE
U8
36.38.51.2-#4
+U UNITS RING
U8*PF
46.37.51.2-#4

+U UNITS DECODE
U9
36.38.51.2-#5
+U UNITS RING
U9*PF
46.37.51.2-#5

*1-01B5A01F

*2-01B5A01G

*3-01B5A01H

*4-01B5A01I

*5-01B5A01P

COMMENTS
ALL +U UNITS RING SIGNALS ARE FLOATING
WITHOUT PRINT STORAGE. ALL +U UNITS
DECODE SIGNALS ARE FLOATING WITH PRINT
STORAGE.
NOTE 1- DRIVE LINES CLAMPED TO GRD.

TAG DATE E.C.NO.
A 10-01-60 189581J

TAG DATE E.C.NO.
B 12-10-62 110749A

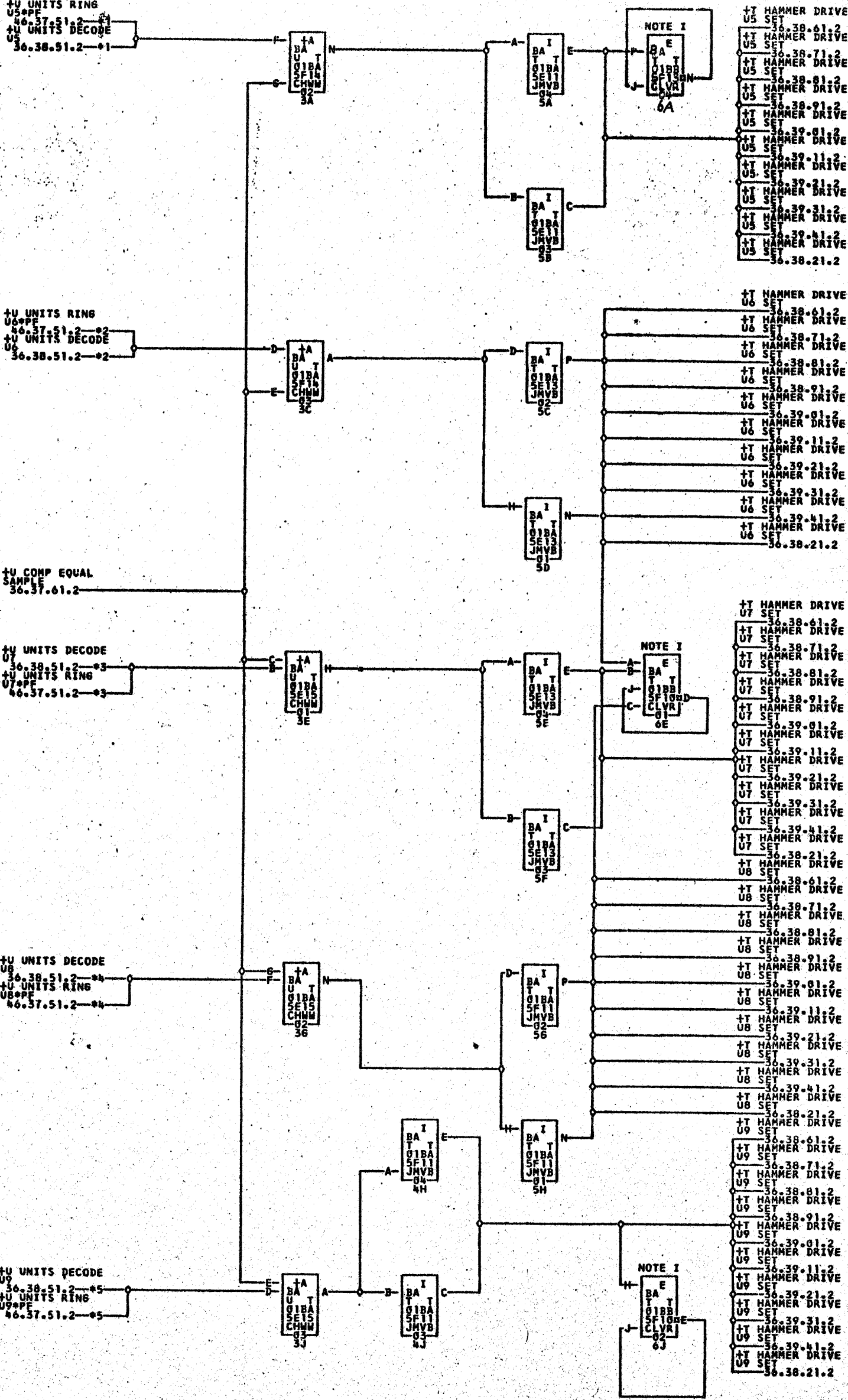
TAG DATE E.C.NO.

TAG DATE E.C.NO.

A 8.4.61
TA 37597A

B 12.3.63
TA 1775

722346
1775



+T HAMMER DRIVE
U5 SET 36.38.61.2
+T HAMMER DRIVE
U5 SET 36.38.71.2
+T HAMMER DRIVE
U5 SET 36.38.81.2
+T HAMMER DRIVE
U5 SET 36.38.91.2
+T HAMMER DRIVE
U5 SET 36.39.01.2
+T HAMMER DRIVE
U5 SET 36.39.11.2
+T HAMMER DRIVE
U5 SET 36.39.21.2
+T HAMMER DRIVE
U5 SET 36.39.31.2
+T HAMMER DRIVE
U5 SET 36.39.41.2
+T HAMMER DRIVE
U5 SET 36.38.21.2

+T HAMMER DRIVE
U6 SET 36.38.61.2
+T HAMMER DRIVE
U6 SET 36.38.71.2
+T HAMMER DRIVE
U6 SET 36.38.81.2
+T HAMMER DRIVE
U6 SET 36.38.91.2
+T HAMMER DRIVE
U6 SET 36.39.01.2
+T HAMMER DRIVE
U6 SET 36.39.11.2
+T HAMMER DRIVE
U6 SET 36.39.21.2
+T HAMMER DRIVE
U6 SET 36.39.31.2
+T HAMMER DRIVE
U6 SET 36.39.41.2
+T HAMMER DRIVE
U6 SET 36.38.21.2

+T HAMMER DRIVE
U7 SET 36.38.61.2
+T HAMMER DRIVE
U7 SET 36.38.71.2
+T HAMMER DRIVE
U7 SET 36.38.81.2
+T HAMMER DRIVE
U7 SET 36.38.91.2
+T HAMMER DRIVE
U7 SET 36.39.01.2
+T HAMMER DRIVE
U7 SET 36.39.11.2
+T HAMMER DRIVE
U7 SET 36.39.21.2
+T HAMMER DRIVE
U7 SET 36.39.31.2
+T HAMMER DRIVE
U7 SET 36.39.41.2
+T HAMMER DRIVE
U7 SET 36.38.21.2

+T HAMMER DRIVE
U8 SET 36.38.61.2
+T HAMMER DRIVE
U8 SET 36.38.71.2
+T HAMMER DRIVE
U8 SET 36.38.81.2
+T HAMMER DRIVE
U8 SET 36.38.91.2
+T HAMMER DRIVE
U8 SET 36.39.01.2
+T HAMMER DRIVE
U8 SET 36.39.11.2
+T HAMMER DRIVE
U8 SET 36.39.21.2
+T HAMMER DRIVE
U8 SET 36.39.31.2
+T HAMMER DRIVE
U8 SET 36.39.41.2
+T HAMMER DRIVE
U8 SET 36.38.21.2

+T HAMMER DRIVE
U9 SET 36.38.61.2
+T HAMMER DRIVE
U9 SET 36.38.71.2
+T HAMMER DRIVE
U9 SET 36.38.81.2
+T HAMMER DRIVE
U9 SET 36.38.91.2
+T HAMMER DRIVE
U9 SET 36.39.01.2
+T HAMMER DRIVE
U9 SET 36.39.11.2
+T HAMMER DRIVE
U9 SET 36.39.21.2
+T HAMMER DRIVE
U9 SET 36.39.31.2
+T HAMMER DRIVE
U9 SET 36.39.41.2
+T HAMMER DRIVE
U9 SET 36.38.21.2

0722347

UNITS HAMMER DRIVE DISTRIBUTION

1401 BA

36.38.21.2

TAG DATE

+T HAMMER DRIVE
U0 SET
36.38.01.2

+T HAMMER DRIVE
U0 SET
36.39.61.2
+T HAMMER DRIVE
U0 SET
36.39.71.2
+T HAMMER DRIVE
U0 SET
36.39.81.2
+T HAMMER DRIVE
U0 SET
36.39.91.2

A 8.4.61
TA 37597A

B 12.3.63
TA 1775

+T HAMMER DRIVE
U1 SET
36.38.01.2

+T HAMMER DRIVE
U1 SET
36.39.61.2
+T HAMMER DRIVE
U1 SET
36.39.71.2
+T HAMMER DRIVE
U1 SET
36.39.81.2
+T HAMMER DRIVE
U1 SET
36.39.91.2

+T HAMMER DRIVE
U2 SET
36.38.01.2

+T HAMMER DRIVE
U2 SET
36.39.61.2
+T HAMMER DRIVE
U2 SET
36.39.71.2
+T HAMMER DRIVE
U2 SET
36.39.81.2
+T HAMMER DRIVE
U2 SET
36.39.91.2

+T HAMMER DRIVE
U3 SET
36.38.01.2

+T HAMMER DRIVE
U3 SET
36.39.51.2
+T HAMMER DRIVE
U3 SET
36.39.61.2
+T HAMMER DRIVE
U3 SET
36.39.71.2
+T HAMMER DRIVE
U3 SET
36.39.81.2

+T HAMMER DRIVE
U4 SET
36.38.01.2

+T HAMMER DRIVE
U4 SET
36.39.51.2
+T HAMMER DRIVE
U4 SET
36.39.61.2
+T HAMMER DRIVE
U4 SET
36.39.71.2
+T HAMMER DRIVE
U4 SET
36.39.81.2

+T HAMMER DRIVE
U5 SET
36.38.11.2

+T HAMMER DRIVE
U5 SET
36.39.51.2
+T HAMMER DRIVE
U5 SET
36.39.61.2
+T HAMMER DRIVE
U5 SET
36.39.71.2
+T HAMMER DRIVE
U5 SET
36.39.81.2

+T HAMMER DRIVE
U6 SET
36.38.11.2

+T HAMMER DRIVE
U6 SET
36.39.51.2
+T HAMMER DRIVE
U6 SET
36.39.61.2
+T HAMMER DRIVE
U6 SET
36.39.71.2
+T HAMMER DRIVE
U6 SET
36.39.81.2

+T HAMMER DRIVE
U7 SET
36.38.11.2

+T HAMMER DRIVE
U7 SET
36.39.51.2
+T HAMMER DRIVE
U7 SET
36.39.61.2
+T HAMMER DRIVE
U7 SET
36.39.71.2
+T HAMMER DRIVE
U7 SET
36.39.81.2

+T HAMMER DRIVE
U8 SET
36.38.11.2

+T HAMMER DRIVE
U8 SET
36.39.51.2
+T HAMMER DRIVE
U8 SET
36.39.61.2
+T HAMMER DRIVE
U8 SET
36.39.71.2
+T HAMMER DRIVE
U8 SET
36.39.81.2

+T HAMMER DRIVE
U9 SET
36.38.11.2

+T HAMMER DRIVE
U9 SET
36.39.51.2
+T HAMMER DRIVE
U9 SET
36.39.61.2
+T HAMMER DRIVE
U9 SET
36.39.71.2
+T HAMMER DRIVE
U9 SET
36.39.81.2

COMMENTS

TAG DATE E.C.NO. TAG DATE E.C.NO. TAG DATE E.C.NO. TAG DATE E.C.NO.
A 19-01-60 109501J B 12-10-62 116749A

722347

0722349

TENS ADDRESS DECODE

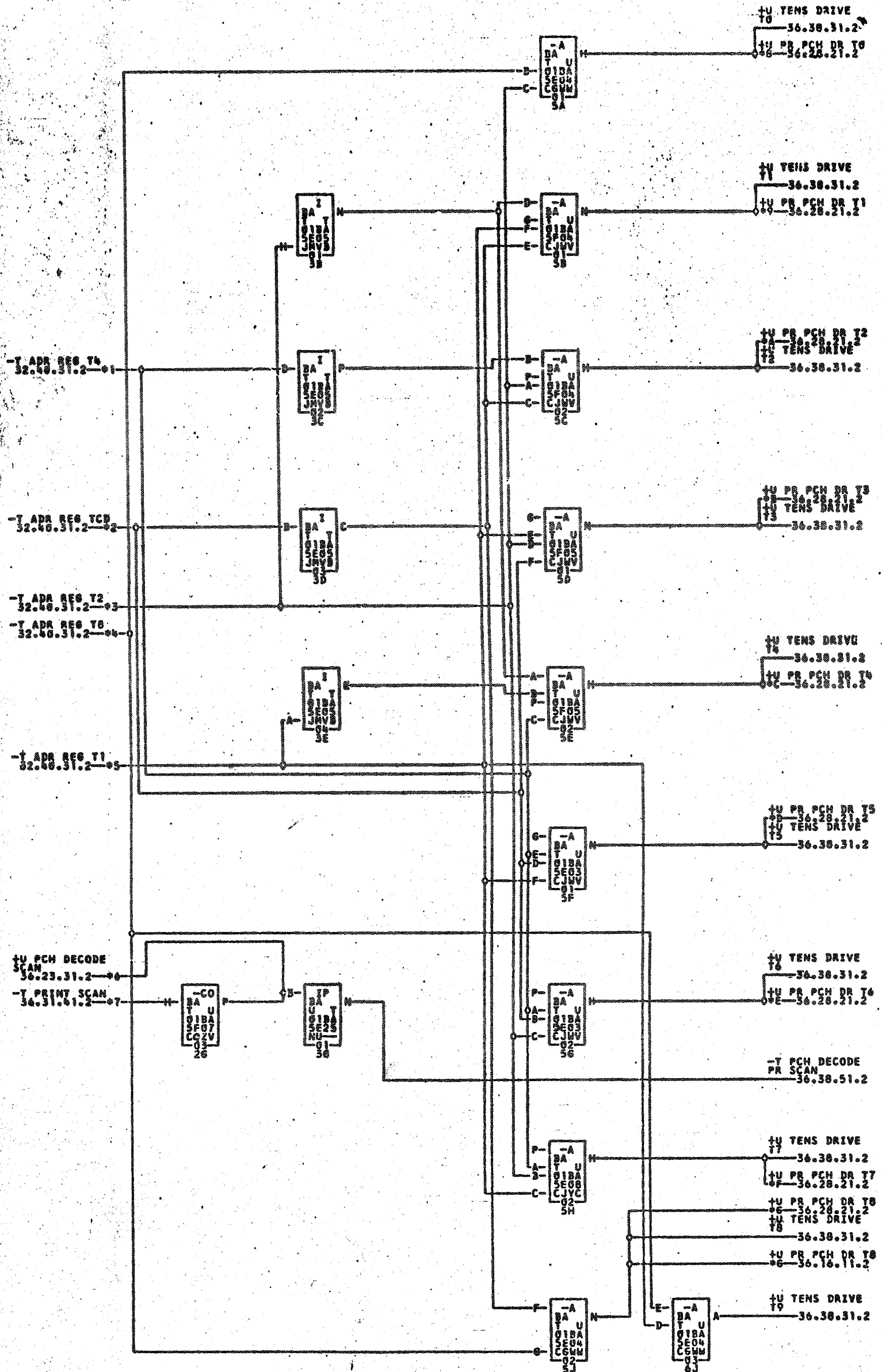
1401 DA

36.38.41.2

TAG DATE

C 22.2.62
TA 1179

D 12.3.63
TA 1775

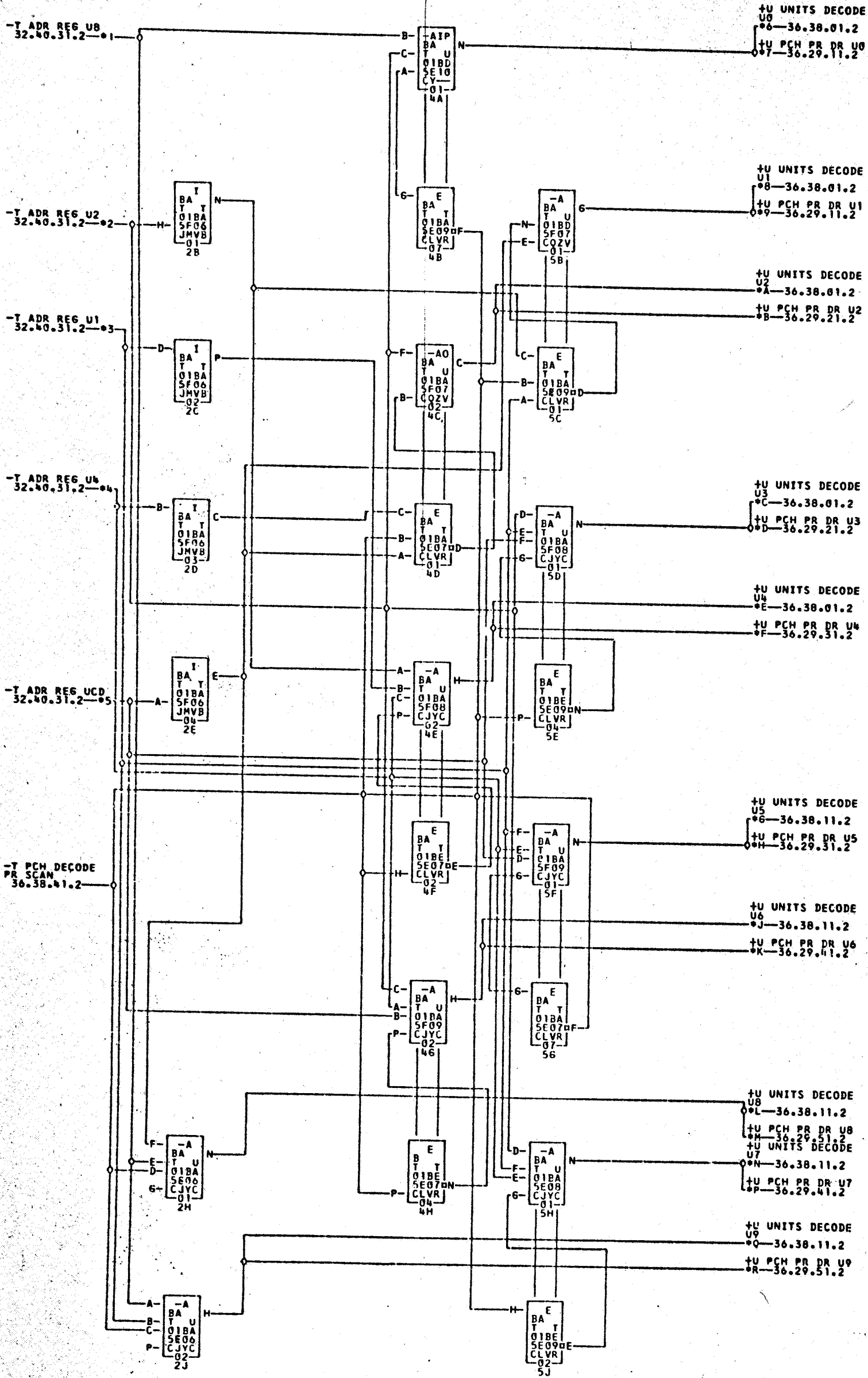


- *1- 01B5A23H *2- 01B5A23K *3- 01B5A23L *4- 01B5A23M *5- 01B5A23N *6- 01B5A23O
- *7- 01B5A24J *8- 01B5A24A *9- 01B5A24B *A- 01B5A24C *B- 01B5A24D *C- 01B5A24E
- *D- 01B5A24F *E- 01B5A24G *F- 01B5A24H *G- 01B5A24I *H- 01B5A24J *I- 01B5A24K
- *J- 01B5A24L *K- 01B5A24M *L- 01B5A24N *M- 01B5A24O *N- 01B5A24P *O- 01B5A24Q
- *P- 01B5A24R *Q- 01B5A24S *R- 01B5A24T *S- 01B5A24U *T- 01B5A24V *U- 01B5A24W
- *V- 01B5A24X *W- 01B5A24Y *X- 01B5A24Z *Y- 01B5A25A *Z- 01B5A25B *AA- 01B5A25C
- *AB- 01B5A25D *AC- 01B5A25E *AD- 01B5A25F *AE- 01B5A25G *AF- 01B5A25H *AG- 01B5A25I
- *AH- 01B5A25J *AI- 01B5A25K *AJ- 01B5A25L *AK- 01B5A25M *AL- 01B5A25N *AM- 01B5A25O
- *AN- 01B5A25P *AO- 01B5A25Q *AP- 01B5A25R *AQ- 01B5A25S *AR- 01B5A25T *AS- 01B5A25U
- *AT- 01B5A25V *AU- 01B5A25W *AV- 01B5A25X *AW- 01B5A25Y *AX- 01B5A25Z *AY- 01B5A26A
- *AZ- 01B5A26B *BA- 01B5A26C *BB- 01B5A26D *BC- 01B5A26E *BD- 01B5A26F *BE- 01B5A26G
- *BF- 01B5A26H *BG- 01B5A26I *BH- 01B5A26J *BI- 01B5A26K *BJ- 01B5A26L *BK- 01B5A26M
- *BL- 01B5A26N *BM- 01B5A26O *BN- 01B5A26P *BO- 01B5A26Q *BP- 01B5A26R *BQ- 01B5A26S
- *BR- 01B5A26T *BS- 01B5A26U *BT- 01B5A26V *BU- 01B5A26W *BV- 01B5A26X *BW- 01B5A26Y
- *BX- 01B5A26Z *BY- 01B5A27A *BZ- 01B5A27B *CA- 01B5A27C *CB- 01B5A27D *CC- 01B5A27E
- *CD- 01B5A27F *CE- 01B5A27G *CF- 01B5A27H *CG- 01B5A27I *CH- 01B5A27J *CI- 01B5A27K
- *CJ- 01B5A27L *CK- 01B5A27M *CL- 01B5A27N *CM- 01B5A27O *CN- 01B5A27P *CO- 01B5A27Q
- *CP- 01B5A27R *CQ- 01B5A27S *CR- 01B5A27T *CS- 01B5A27U *CT- 01B5A27V *CU- 01B5A27W
- *CV- 01B5A27X *CW- 01B5A27Y *CX- 01B5A27Z *CY- 01B5A28A *CZ- 01B5A28B *DA- 01B5A28C
- *DB- 01B5A28D *DC- 01B5A28E *DD- 01B5A28F *DE- 01B5A28G *DF- 01B5A28H *DG- 01B5A28I
- *DH- 01B5A28J *DI- 01B5A28K *DJ- 01B5A28L *DK- 01B5A28M *DL- 01B5A28N *DM- 01B5A28O
- *DN- 01B5A28P *DO- 01B5A28Q *DP- 01B5A28R *DQ- 01B5A28S *DR- 01B5A28T *DS- 01B5A28U
- *DT- 01B5A28V *DU- 01B5A28W *DV- 01B5A28X *DW- 01B5A28Y *DX- 01B5A28Z *DY- 01B5A29A
- *DZ- 01B5A29B *EA- 01B5A29C *EB- 01B5A29D *EC- 01B5A29E *ED- 01B5A29F *EE- 01B5A29G
- *EF- 01B5A29H *EG- 01B5A29I *EH- 01B5A29J *EI- 01B5A29K *EJ- 01B5A29L *EK- 01B5A29M
- *EL- 01B5A29N *EM- 01B5A29O *EN- 01B5A29P *EO- 01B5A29Q *EP- 01B5A29R *EQ- 01B5A29S
- *ER- 01B5A29T *ES- 01B5A29U *ET- 01B5A29V *EU- 01B5A29W *EV- 01B5A29X *EW- 01B5A29Y
- *EX- 01B5A29Z *EY- 01B5A30A *EZ- 01B5A30B *FA- 01B5A30C *FB- 01B5A30D *FC- 01B5A30E
- *FD- 01B5A30F *FE- 01B5A30G *FF- 01B5A30H *FG- 01B5A30I *FH- 01B5A30J *FI- 01B5A30K
- *FJ- 01B5A30L *FK- 01B5A30M *FL- 01B5A30N *FM- 01B5A30O *FN- 01B5A30P *FO- 01B5A30Q
- *FP- 01B5A30R *FQ- 01B5A30S *FR- 01B5A30T *FS- 01B5A30U *FT- 01B5A30V *FU- 01B5A30W
- *FV- 01B5A30X *FW- 01B5A30Y *FX- 01B5A30Z *FY- 01B5A31A *FZ- 01B5A31B *GA- 01B5A31C
- *GB- 01B5A31D *GC- 01B5A31E *GD- 01B5A31F *GE- 01B5A31G *GF- 01B5A31H *GG- 01B5A31I
- *GH- 01B5A31J *GI- 01B5A31K *GJ- 01B5A31L *GK- 01B5A31M *GL- 01B5A31N *GM- 01B5A31O
- *GN- 01B5A31P *GO- 01B5A31Q *GP- 01B5A31R *GQ- 01B5A31S *GR- 01B5A31T *GS- 01B5A31U
- *GT- 01B5A31V *GU- 01B5A31W *GV- 01B5A31X *GW- 01B5A31Y *GX- 01B5A31Z *GY- 01B5A32A
- *GZ- 01B5A32B *HA- 01B5A32C *HB- 01B5A32D *HC- 01B5A32E *HD- 01B5A32F *HE- 01B5A32G
- *HF- 01B5A32H *HG- 01B5A32I *HH- 01B5A32J *HI- 01B5A32K *HJ- 01B5A32L *HK- 01B5A32M
- *HL- 01B5A32N *HM- 01B5A32O *HN- 01B5A32P *HO- 01B5A32Q *HP- 01B5A32R *HQ- 01B5A32S
- *HR- 01B5A32T *HS- 01B5A32U *HT- 01B5A32V *HU- 01B5A32W *HV- 01B5A32X *HW- 01B5A32Y
- *HX- 01B5A32Z *HY- 01B5A33A *HZ- 01B5A33B *IA- 01B5A33C *IB- 01B5A33D *IC- 01B5A33E
- *ID- 01B5A33F *IE- 01B5A33G *IF- 01B5A33H *IG- 01B5A33I *IH- 01B5A33J *II- 01B5A33K
- *IJ- 01B5A33L *IK- 01B5A33M *IL- 01B5A33N *IM- 01B5A33O *IN- 01B5A33P *IO- 01B5A33Q
- *IP- 01B5A33R *IQ- 01B5A33S *IR- 01B5A33T *IS- 01B5A33U *IT- 01B5A33V *IU- 01B5A33W
- *IV- 01B5A33X *IW- 01B5A33Y *IX- 01B5A33Z *IY- 01B5A34A *IZ- 01B5A34B *JA- 01B5A34C
- *JB- 01B5A34D *JC- 01B5A34E *JD- 01B5A34F *JE- 01B5A34G *JF- 01B5A34H *JG- 01B5A34I
- *JH- 01B5A34J *JI- 01B5A34K *JJ- 01B5A34L *JK- 01B5A34M *JL- 01B5A34N *JM- 01B5A34O
- *JN- 01B5A34P *JO- 01B5A34Q *JP- 01B5A34R *JQ- 01B5A34S *JR- 01B5A34T *JS- 01B5A34U
- *JT- 01B5A34V *JU- 01B5A34W *JV- 01B5A34X *JW- 01B5A34Y *JX- 01B5A34Z *JY- 01B5A35A
- *JZ- 01B5A35B *KA- 01B5A35C *KB- 01B5A35D *KC- 01B5A35E *KD- 01B5A35F *KE- 01B5A35G
- *KF- 01B5A35H *KG- 01B5A35I *KH- 01B5A35J *KI- 01B5A35K *KJ- 01B5A35L *KK- 01B5A35M
- *KL- 01B5A35N *KM- 01B5A35O *KN- 01B5A35P *KO- 01B5A35Q *KP- 01B5A35R *KQ- 01B5A35S
- *KR- 01B5A35T *KS- 01B5A35U *KT- 01B5A35V *KU- 01B5A35W *KV- 01B5A35X *KW- 01B5A35Y
- *KX- 01B5A35Z *KY- 01B5A36A *KZ- 01B5A36B *LA- 01B5A36C *LB- 01B5A36D *LC- 01B5A36E
- *LD- 01B5A36F *LE- 01B5A36G *LF- 01B5A36H *LG- 01B5A36I *LH- 01B5A36J *LI- 01B5A36K
- *LJ- 01B5A36L *LK- 01B5A36M *LL- 01B5A36N *LM- 01B5A36O *LN- 01B5A36P *LO- 01B5A36Q
- *LP- 01B5A36R *LQ- 01B5A36S *LR- 01B5A36T *LS- 01B5A36U *LT- 01B5A36V *LU- 01B5A36W
- *LV- 01B5A36X *LW- 01B5A36Y *LX- 01B5A36Z *LY- 01B5A37A *LZ- 01B5A37B *MA- 01B5A37C
- *MB- 01B5A37D *MC- 01B5A37E *MD- 01B5A37F *ME- 01B5A37G *MF- 01B5A37H *MG- 01B5A37I
- *MH- 01B5A37J *MI- 01B5A37K *MJ- 01B5A37L *MK- 01B5A37M *ML- 01B5A37N *MM- 01B5A37O
- *MN- 01B5A37P *MO- 01B5A37Q *MP- 01B5A37R *MQ- 01B5A37S *MR- 01B5A37T *MS- 01B5A37U
- *MT- 01B5A37V *MU- 01B5A37W *MV- 01B5A37X *MW- 01B5A37Y *MX- 01B5A37Z *MY- 01B5A38A
- *MZ- 01B5A38B *NA- 01B5A38C *NB- 01B5A38D *NC- 01B5A38E *ND- 01B5A38F *NE- 01B5A38G
- *NF- 01B5A38H *NG- 01B5A38I *NH- 01B5A38J *NI- 01B5A38K *NJ- 01B5A38L *NK- 01B5A38M
- *NL- 01B5A38N *NM- 01B5A38O *NN- 01B5A38P *NO- 01B5A38Q *NP- 01B5A38R *NQ- 01B5A38S
- *NR- 01B5A38T *NS- 01B5A38U *NT- 01B5A38V *NU- 01B5A38W *NV- 01B5A38X *NW- 01B5A38Y
- *NX- 01B5A38Z *NY- 01B5A39A *NZ- 01B5A39B *OA- 01B5A39C *OB- 01B5A39D *OC- 01B5A39E
- *OD- 01B5A39F *OE- 01B5A39G *OF- 01B5A39H *OG- 01B5A39I *OH- 01B5A39J *OI- 01B5A39K
- *OJ- 01B5A39L *OK- 01B5A39M *OL- 01B5A39N *OM- 01B5A39O *ON- 01B5A39P *OO- 01B5A39Q
- *OP- 01B5A39R *OQ- 01B5A39S *OR- 01B5A39T *OS- 01B5A39U *OT- 01B5A39V *OU- 01B5A39W
- *OV- 01B5A39X *OW- 01B5A39Y *OX- 01B5A39Z *OY- 01B5A40A *OZ- 01B5A40B *PA- 01B5A40C
- *PB- 01B5A40D *PC- 01B5A40E *PD- 01B5A40F *PE- 01B5A40G *PF- 01B5A40H *PG- 01B5A40I
- *PH- 01B5A40J *PI- 01B5A40K *PJ- 01B5A40L *PK- 01B5A40M *PL- 01B5A40N *PM- 01B5A40O
- *PN- 01B5A40P *PO- 01B5A40Q *PP- 01B5A40R *PQ- 01B5A40S *PR- 01B5A40T *PS- 01B5A40U
- *PT- 01B5A40V *PU- 01B5A40W *PV- 01B5A40X *PW- 01B5A40Y *PX- 01B5A40Z *PY- 01B5A41A
- *PZ- 01B5A41B *QA- 01B5A41C *QB- 01B5A41D *QC- 01B5A41E *QD- 01B5A41F *QE- 01B5A41G
- *QF- 01B5A41H *QG- 01B5A41I *QH- 01B5A41J *QI- 01B5A41K *QJ- 01B5A41L *QK- 01B5A41M
- *QL- 01B5A41N *QM- 01B5A41O *QN- 01B5A41P *QO- 01B5A41Q *QP- 01B5A41R *QQ- 01B5A41S
- *QR- 01B5A41T *QS- 01B5A41U *QT- 01B5A41V *QU- 01B5A41W *QV- 01B5A41X *QW- 01B5A41Y
- *QX- 01B5A41Z *QY- 01B5A42A *QZ- 01B5A42B *RA- 01B5A42C *RB- 01B5A42D *RC- 01B5A42E
- *RD- 01B5A42F *RE- 01B5A42G *RF- 01B5A42H *RG- 01B5A42I *RH- 01B5A42J *RI- 01B5A42K
- *RJ- 01B5A42L *RK- 01B5A42M *RL- 01B5A42N *RM- 01B5A42O *RN- 01B5A42P *RO- 01B5A42Q
- *RP- 01B5A42R *RQ- 01B5A42S *RR- 01B5A42T *RS- 01B5A42U *RT- 01B5A42V *RU- 01B5A42W
- *RV- 01B5A42X *RW- 01B5A42Y *RX- 01B5A42Z *RY- 01B5A43A *RZ- 01B5A43B *SA- 01B5A43C
- *SB- 01B5A43D *SC- 01B5A43E *SD- 01B5A43F *SE- 01B5A43G *SF- 01B5A43H *SG- 01B5A43I
- *SH- 01B5A43J *SI- 01B5A43K *SJ- 01B5A43L *SK- 01B5A43M *SL- 01B5A43N *SM- 01B5A43O
- *SN- 01B5A43P *SO- 01B5A43Q *SP- 01B5A43R *SQ- 01B5A43S *SR- 01B5A43T *SS- 01B5A43U
- *ST- 01B5A43V *SU- 01B5A43W *SV- 01B5A43X *SW- 01B5A43Y *SX- 01B5A43Z *SY- 01B5A44A
- *SZ- 01B5A44B *TA- 01B5A44C *TB- 01B5A44D *TC- 01B5A44E *TD- 01B5A44F *TE- 01B5A44G
- *TF- 01B5A44H *TG- 01B5A44I *TH- 01B5A44J *TI- 01B5A44K *TJ- 01B5A44L *TK- 01B5A44M
- *TL- 01B5A44N *TM- 01B5A44O *TN- 01B5A44P *TO- 01B5A44Q *TP- 01B5A44R *TQ- 01B5A44S
- *TR- 01B5A44T *TS- 01B5A44U *TT- 01B5A44V *TU- 01B5A44W *TV- 01B5A44X *TW- 01B5A44Y
- *TX- 01B5A44Z *TY- 01B5A45A *TZ- 01B5A45B *UA- 01B5A45C *UB- 01B5A45D *UC- 01B5A45E
- *UD- 01B5A45F *UE- 01B5A45G *UF- 01B5A45H *UG- 01B5A45I *UH- 01B5A45J *UI- 01B5A45K
- *UJ- 01B5A45L *UK- 01B5A45M *UL- 01B5A45N *UM- 01B5A45O *UN- 01B5A45P *UO- 01B5A45Q
- *UP- 01B5A45R *UQ- 01B5A45S *UR- 01B5A45T *US- 01B5A45U *UT- 01B5A45V *UU- 01B5A45W
- *UV- 01B5A45X *UW- 01B5A45Y *UX- 01B5A45Z *UY- 01B5A46A *UZ- 01B5A46B *VA- 01B5A46C
- *VB- 01B5A46D *VC- 01B5A46E *VD- 01B5A46F *VE- 01B5A46G *VF- 01B5A46H *VG- 01B5A46I
- *VH- 01B5A46J *VI- 01B5A46K *VJ- 01B5A46L *VK- 01B5A46M *VL- 01B5A46N *VM- 01B5A46O
- *VN- 01B5A46P *VO- 01B5A46Q *VP- 01B5A46R *VQ- 01B5A46S *VR- 01B5A46T *VS- 01B5A46U
- *VT- 01B5A46V *VU- 01B5A46W *VV- 01B5A46X *VW- 01B5A46Y *VX- 01B5A46Z *VY- 01B5A47A
- *VZ- 01B5A47B *WA- 01B5A47C *WB- 01B5A47D *WC- 01B5A47E *WD- 01B5A47F *WE- 01B5A47G
- *WF- 01B5A47H *WG- 01B5A47I *WH- 01B5A47J *WI- 01B5A47K *WJ- 01B5A47L *WK- 01B5A47M
- *WL- 01B5A47N *WM- 01B5A47O *WN- 01B5A47P *WO- 01B5A47Q *WP- 01B5A47R *WQ- 01B5A47S
- *WR- 01B5A47T *WS- 01B5A47U *WT- 01B5A47V *WU- 01B5A47W *WV- 01B5A47X *WW- 01B5A47Y
- *WX- 01B5A47Z *WY- 01B5A48A *WZ- 01B5A48B *XA- 01B5A48C *XB- 01B5A48D *XC- 01B5A48E
- *XD- 01B5A48F *XE- 01B5A48G *XF- 01B5A48H *XG- 01B5A48I *XH- 01B5A48J *XI- 01B5A48K
- *XJ- 01B5A48L *XK- 01B5A48M *XL- 01B5A48N *XM- 01B5A48O *XN- 01B5A48P *XO- 01B5A48Q
- *XP- 01B5A48R *XQ- 01B5A48S *XR- 01B5A48T *XS- 01B5A48U *XT- 01B5A48V *XU- 01B5A48W
- *XV- 01B5A48X *XW- 01B5A48Y *XX- 01B5A48Z *XY- 01B5A49A *XZ- 01B5A49B *YA- 01B5A49C
- *YB- 01B5A49D *YC- 01B5A49E *YD- 01B5A49F *YE- 01B5A49G *YF- 01B5A49H *YG- 01B5A49I
- *YH- 01B5A49J *YI- 01B5A49K *YJ- 01B5A49L *YK- 01B5A49M *YL- 01B5A49N *YM- 01B5A49O
- *YN- 01B5A49P *YO- 01B5A49Q *YP- 01B5A49R *YQ- 01B5A49S *YR- 01B5A49T *YS- 01B5A49U
- *YT- 01B5A49V *YU- 01B5A49W *YV- 01B5A49X *YW- 01B5A49Y *YX- 01B5A49Z *YY- 01B5A50A
- *YZ- 01B5A50B *ZA- 01B5A50C *ZB- 01B5A50D *ZC- 01B5A50E *ZD- 01B5A50F *ZE- 01B5A50G
- *ZF- 01B5A50H *ZG- 01B5A50I *ZH- 01B5A50J *ZI- 01B5A50K *ZJ- 01B5A50L *ZK- 01B5A50M
- *ZL- 01B5A50N *ZM- 01B5A50O *ZN- 01B5A50P *ZO- 01B5A50Q *ZP- 01B5A50R *ZQ- 01B5A50S
- *ZR- 01B5A50T *ZS- 01B5A50U *ZT- 01B5A50V *ZU- 01B5A50W *ZV- 01B5A50X *ZW- 01B5A50Y
- *ZX- 01B5A50Z *ZY- 01B5A51A *ZZ- 01B5A51B

COMMENTS: REMOVE E04 F04 E05 F05 E03 F03 E08 F07 FOR PRINT AND PUNCH STORAGE COMBINATION OR FOR MODEL D WITH

TAG DATE F.C. NO. TAG DATE F.C. NO. TAG DATE F.C. NO. TAG DATE F.C. NO.
 A 10-01-60 109581J B 03-09-61 110631D C 12-06-61 113422 D 12-10-62 116740A

722349



- *1-01B5A23D
- *7-01B5A25A
- *B-01B5A25C
- *F-01B5A25E
- *K-01B5A25G
- *P-01B5A25H

- *2-01B5A23B
- 01B7C02A
- 01B7C02C
- 01B7C02E
- 01B7C02F
- 01B7C02G
- 01B7C02H

- *3-01B5A23A
- *8-01B5B01B
- *C-01B5B01D
- *G-01B5B01F
- *L-01B5B01N
- *Q-01B5B01P

- *4-01B5A23C
- *D-01B5A25B
- *H-01B5A25D
- *M-01B5A25F
- *R-01B5A25K

- *5-01B5A23E
- 01B7C02B
- 01B7C02D
- 01B7C02F
- 01B7C02J
- 01B7C02K

- *6-01B5B01A
- *A-01B5B01C
- *J-01B5B01E
- *N-01B5B01H

722350

COMMENTS
 REMOVE F06 F07 E07 F08 F09 E10
 E09 E08 E06 FOR PRINT AND PUNCH
 STORAGE COMBINATION OR FOR MODEL D
 WITH PRINT STORAGE.

TAG DATE E.C.NO. TAG DATE E.C.NO. TAG DATE E.C.NO. TAG DATE E.C.NO.
 A 10-01-60 109501J B 11-07-60 109524 C 03-09-61 110431B D 12-06-61 113422

0722351

HAMMER DRIVE 1-9

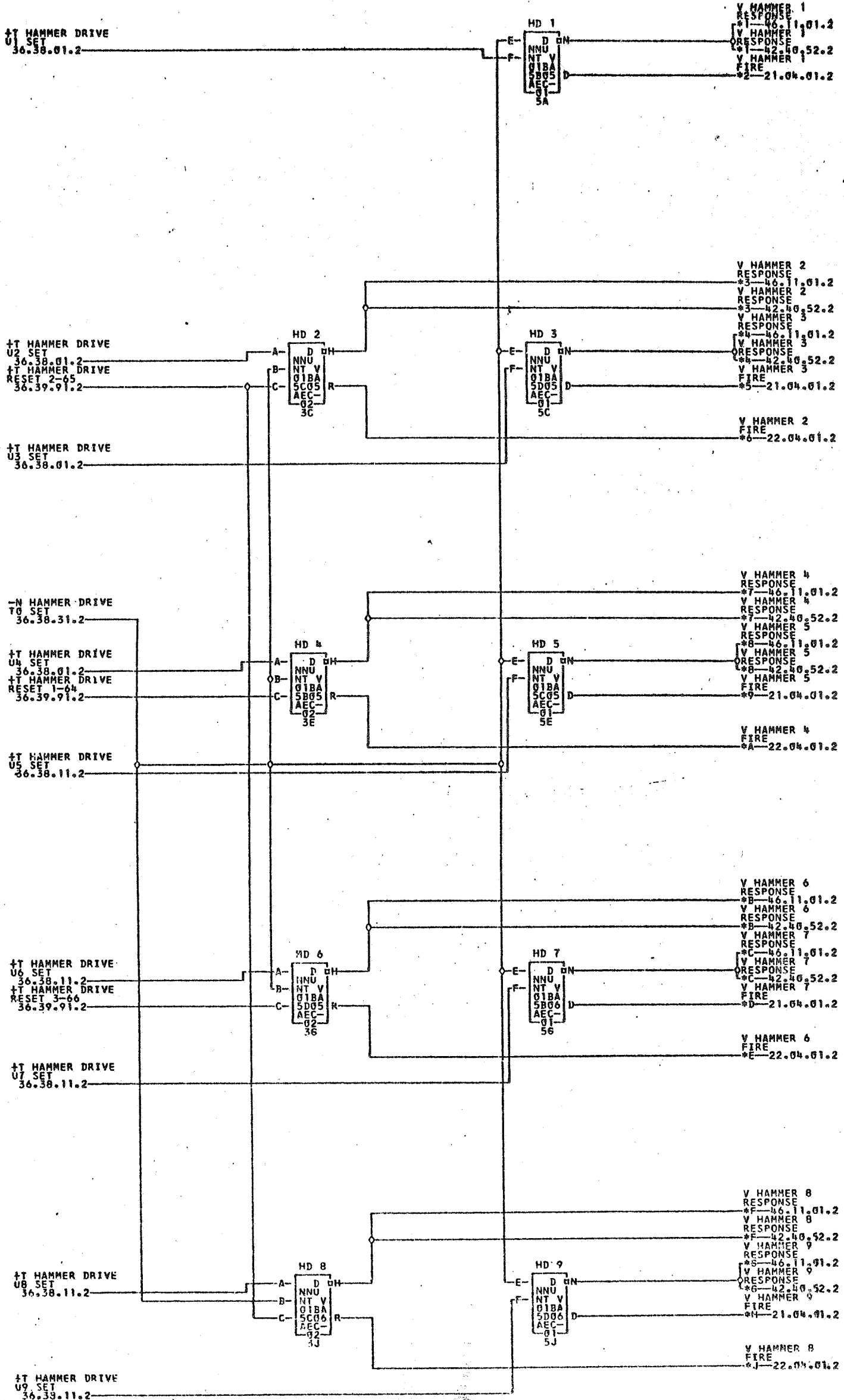
1401 BA

36.38.61.2

TAG DATE

A 8.4.61
TA 37597A

B 12.3.63
TA 1775



- *1-01B5A14A
- *2-01B5A03A
- *3-01B5A15A
- *4-01B5A16A
- *5-01B5A03B
- *6-01B5A00A
- *7-01B5A17A
- *8-01B5A18A
- *9-01B5A03C
- *A-01B5A09B
- *B-01B5A16A
- *C-01B5A19A
- *D-01B5A21A
- *E-01B5A22A
- *F-01B5A05E
- *G-01B5A20A
- *H-01B5A00B
- *I-01B5A03D
- *J-01B5A09C

722351

0722352

HAMMER DRIVE 10-19

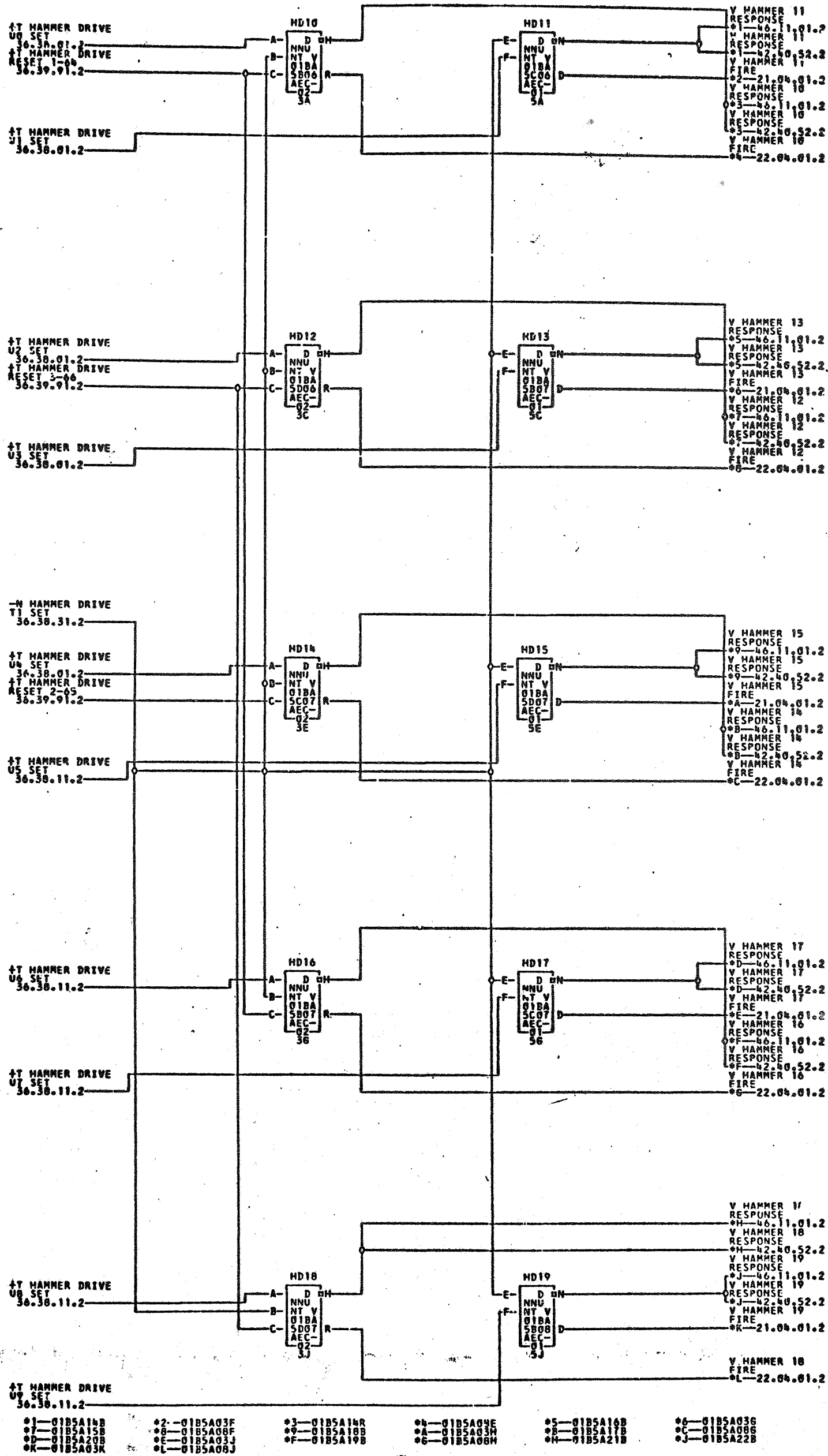
1401 BA

36.38.71.2

TAG DAT

B 15.5.61
TA 37618A

C 12.3.63
TA 1775



722352

COMMENTS

TAG DATE	E.C.NO.	TAG DATE	E.C.NO.	TAG DATE	E.C.NO.	TAG DATE	E.C.NO.
A 10-01-60	1095013	B 03-09-61	1104318	C 12-10-62	116749A		

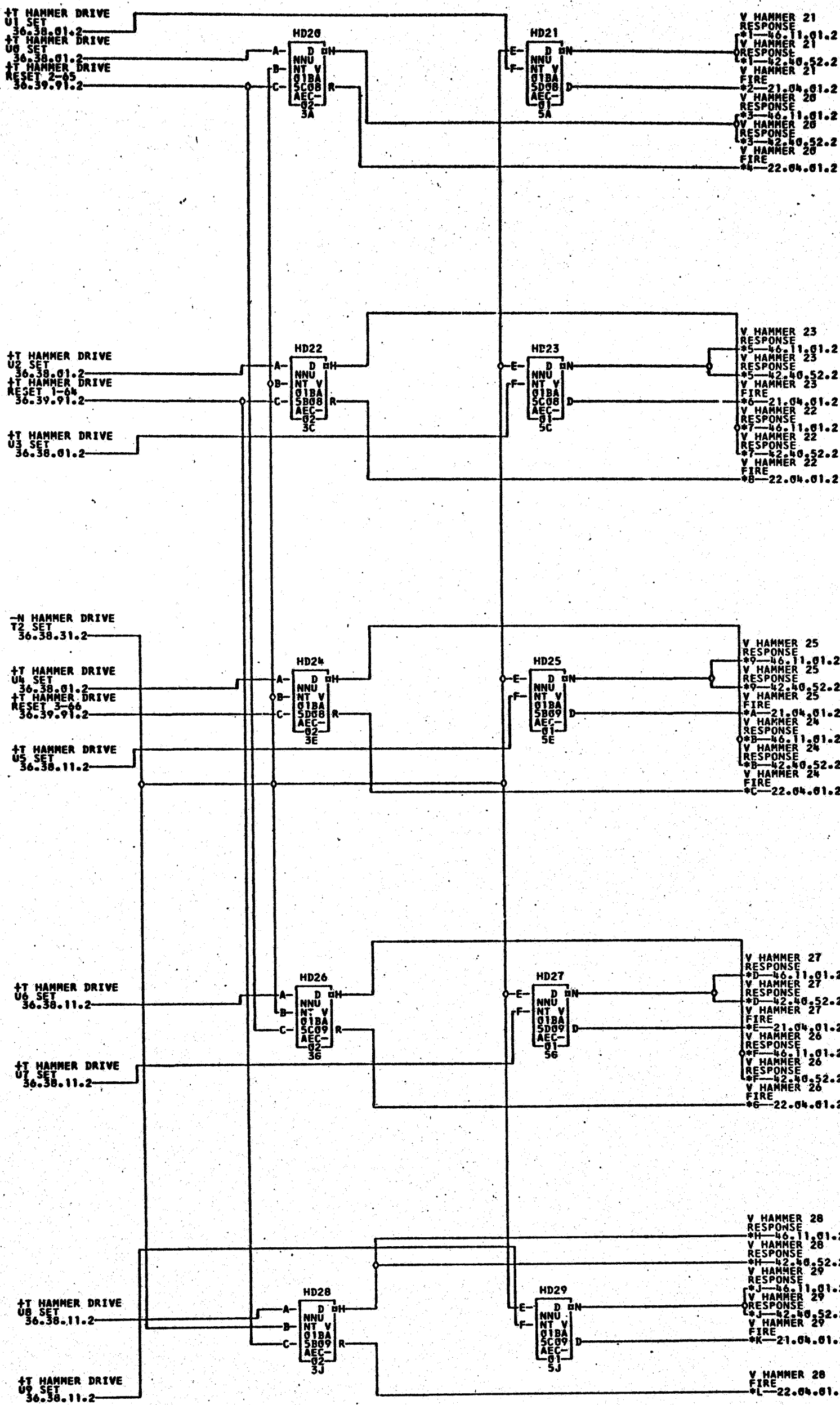
0722353

HAMMER DRIVE 20-29

1401 BA

36.38.81.2

TAG DAT



A 8.4.61
 TA 87597A
 B 12.3.63
 TA 1775

- *1-01B5A14C
- *2-01B5A03L
- *3-01B5A15R
- *4-01B5A08K
- *5-01B5A16C
- *6-01B5A03H
- *7-01B5A15C
- *8-01B5A08L
- *9-01B5A15R
- *A-01B5A08K
- *B-01B5A16C
- *C-01B5A03H
- *D-01B5A20C
- *E-01B5A03P
- *F-01B5A19C
- *G-01B5A08N
- *H-01B5A21C
- *J-01B5A22C
- *K-01B5A03Q
- *L-01B5A08P

722353

722354

HAMMER DRIVE 30-39

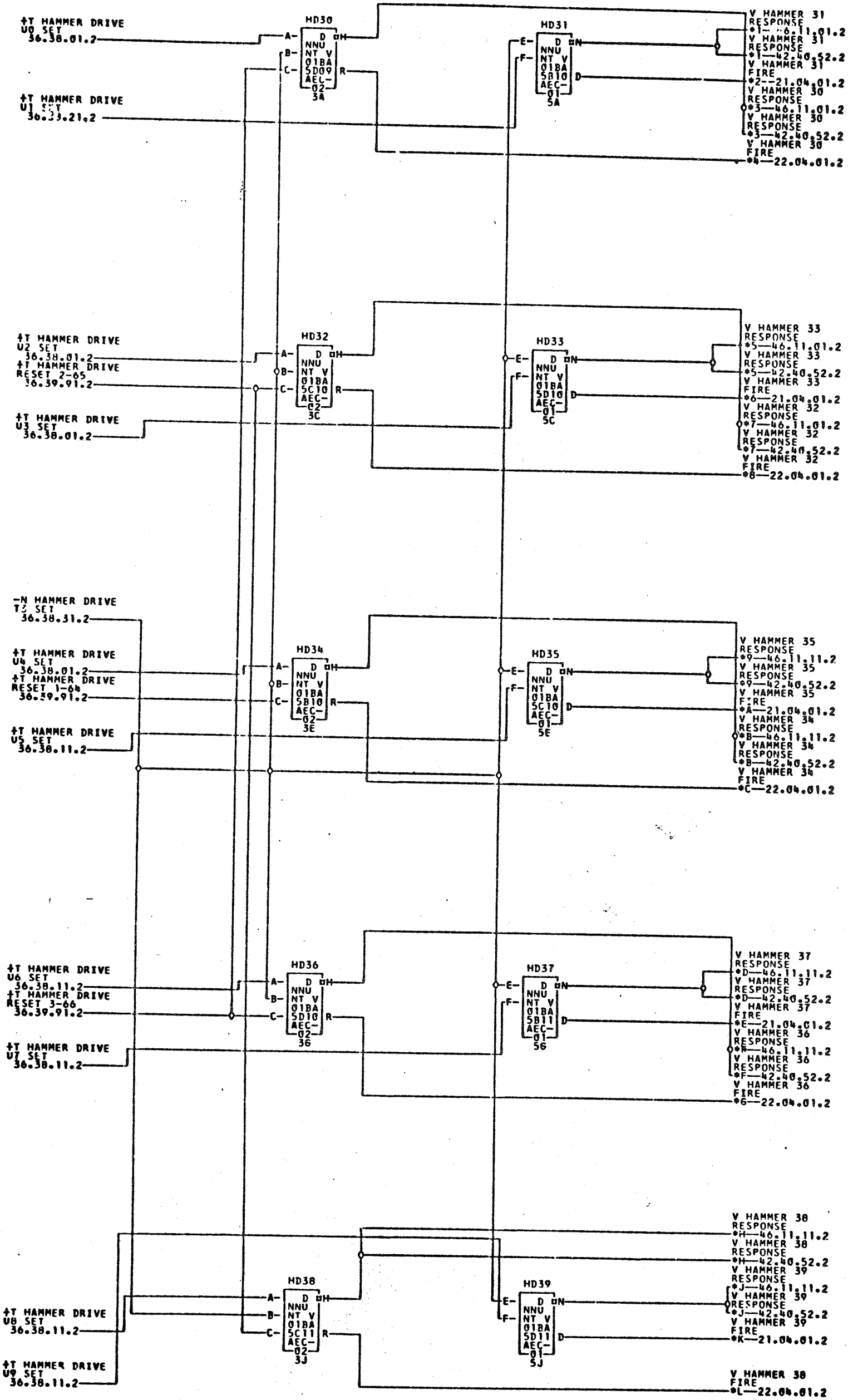
1401 BA

36.38.91.2

TAG DATE

A 8.4.61
TA 37597A

B 12.3.63
TA 1775



- *1-01B5A14D
- *2-01B5A03R
- *3-01B5A160
- *4-01B5A080
- *5-01B5A16D
- *6-01B5A04A
- *7-01B5A15D
- *8-01B5A08R
- *9-01B5A18D
- *A-01B5A04B
- *B-01B5A17D
- *C-01B5A09A
- *D-01B5A20D
- *E-01B5A04C
- *F-01B5A19D
- *G-01B5A09B
- *H-01B5A21D
- *J-01B5A22D
- *K-01B5A04D
- *L-01B5A09C

COMMENTS

TAG DATE E.C.NO. TAG DATE E.C.NO. TAG DATE E.C.NO. TAG DATE E.C.NO.

A 10-01-60 109501J B 12-10-62 116749A

722354

0722355

HAMMER DRIVE 40-49

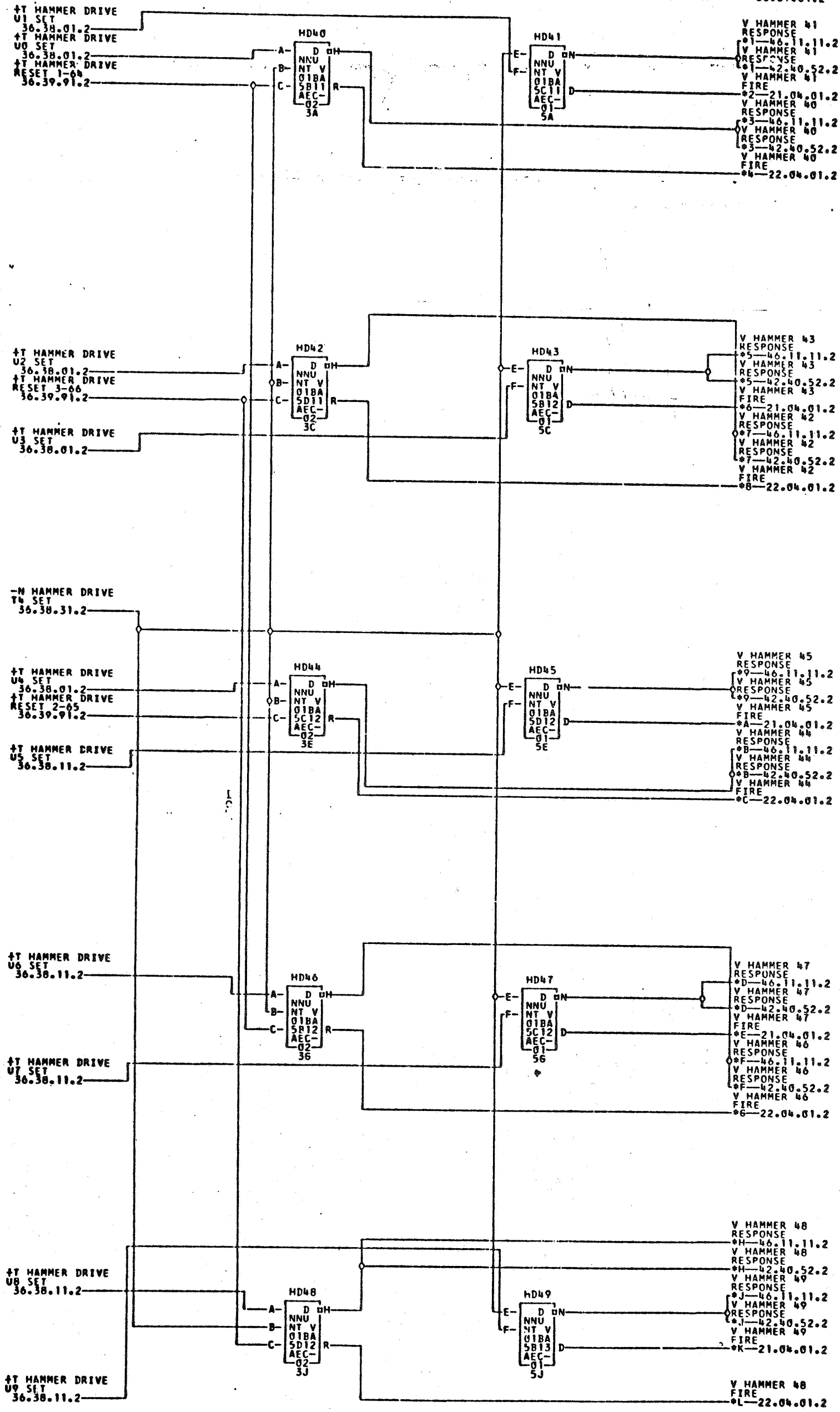
1401 BA

36.39.01.2

TAG DATE

A 8.4.61
TA 37597A

B 12.3.63
TA 1775



- *1-01B5A14E
- *2-01B5A04E
- *3-01B5A16R
- *4-01B5A09D
- *5-01B5A16E
- *6-01B5A04F
- *7-01B5A15E
- *8-01B5A09E
- *9-01B5A18E
- *A-01B5A04G
- *B-01B5A17E
- *C-01B5A09F
- *D-01B5A20E
- *E-01B5A04H
- *F-01B5A19E
- *G-01B5A09G
- *H-01B5A21E
- *J-01B5A22E
- *K-01B5A04J
- *L-01B5A09H

COMMENTS

TAG DATE E.C.NO. TAG DATE E.C.NO. TAG DATE E.C.NO. TAG DATE E.C.NO.
 A 10-01-60 109501J B 12-10-62 116749A

722355

0722356

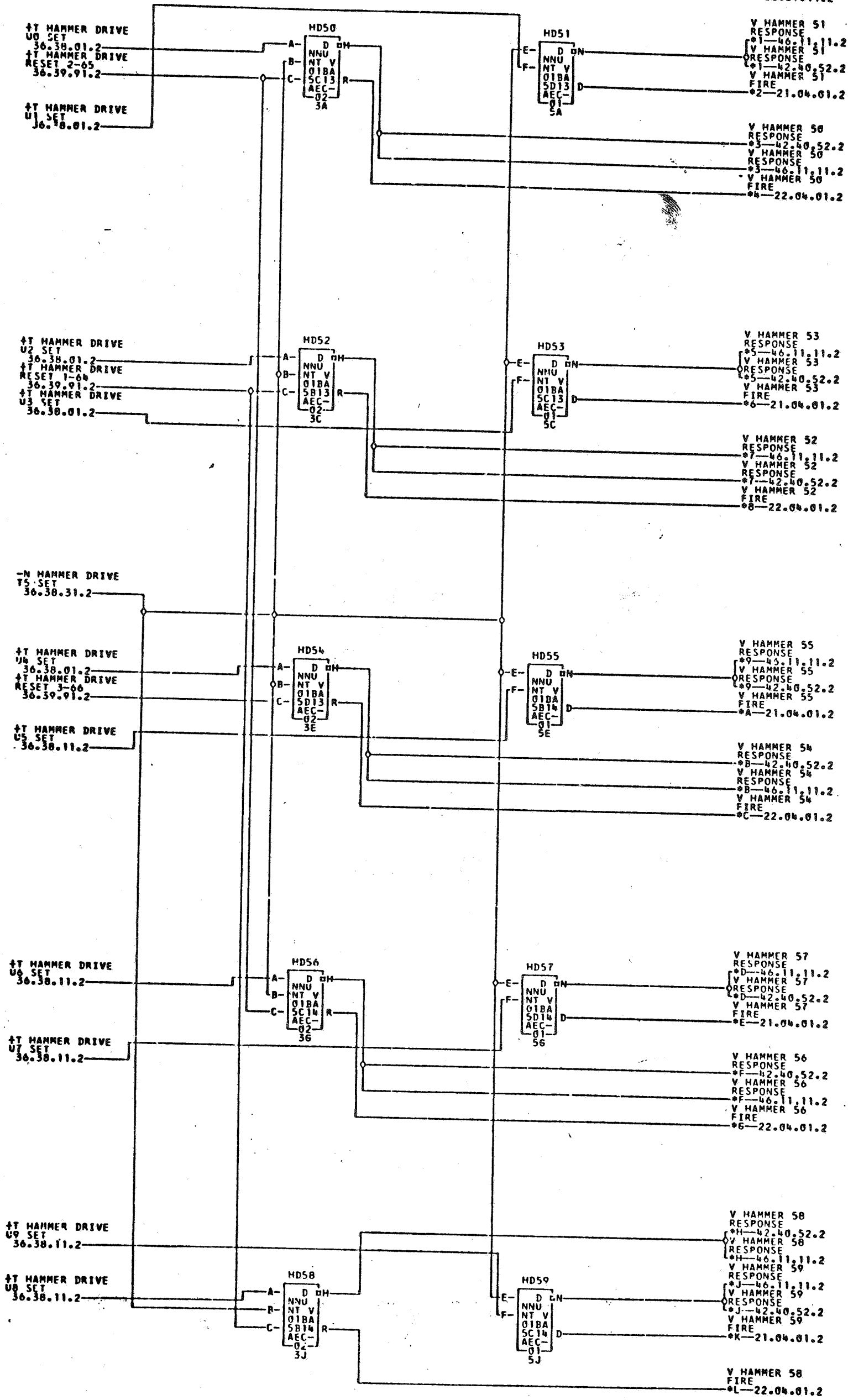
HAMMER DRIVE 50-59

1401 BA 36.39.11.2

TAG DATE

A 8.4.61
TA 37597A

B 12.3.63
TA 1775



- *1-01B5A14F
- *2-01B5A04K
- *3-01B5A170
- *4-01B5A09J
- *5-01B5A10F
- *6-01B5A04L
- *7-01B5A15F
- *8-01B5A09K
- *9-01B5A18F
- *A-01B5A04M
- *B-01B5A17F
- *C-01B5A09L
- *D-01B5A20F
- *E-01B5A04N
- *F-01B5A19F
- *G-01B5A09M
- *H-01B5A21F
- *J-01B5A22F
- *K-01B5A04P
- *L-01B5A09N

COMMENTS

TAG DATE E.C.NO. TAG DATE E.C.NO. TAG DATE E.C.NO. TAG DATE E.C.NO.

A 10-01-60 109501J B 12-10-62 116749A

722356

0722357

HAMMER DRIVE 60-69

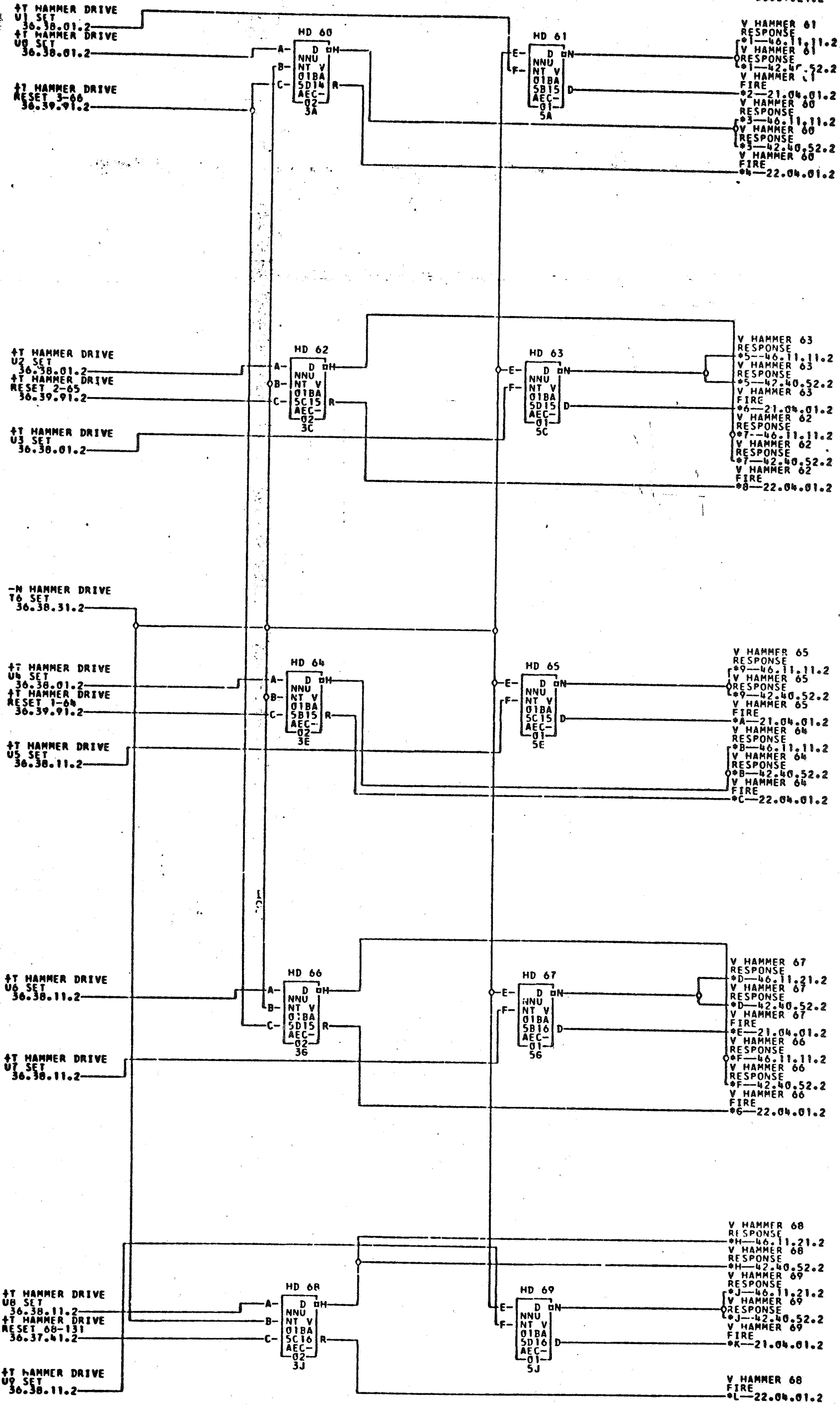
1401 BA

36.39.21.2

TAG DATE

A 8.4.61
TA 37597A

B 12.3.63
TA 1775



- *1-01B5A146
- *2-01B5A040
- *3-01B5A17R
- *4-01B5A09P
- *5-01B5A166
- *6-01B5A04R
- *7-01B5A156
- *8-01B5A09V
- *9-01B5A186
- *A-01B5A05A
- *B-01B5A176
- *C-01B5A09R
- *D-01B5A206
- *E-01B5A05B
- *F-01B5A196
- *G-01B5A10A
- *H-01B5A216
- *I-01B5A226
- *K-01B5A05C
- *L-01B5A10B

722357

COMMENTS

TAG DATE	E.C.NO.	TAG DATE	E.C.NO.	TAG DATE	E.C.NO.	TAG DATE	E.C.NO.
A 10-01-60	109501J	B 12-10-62	116749A				

0722358

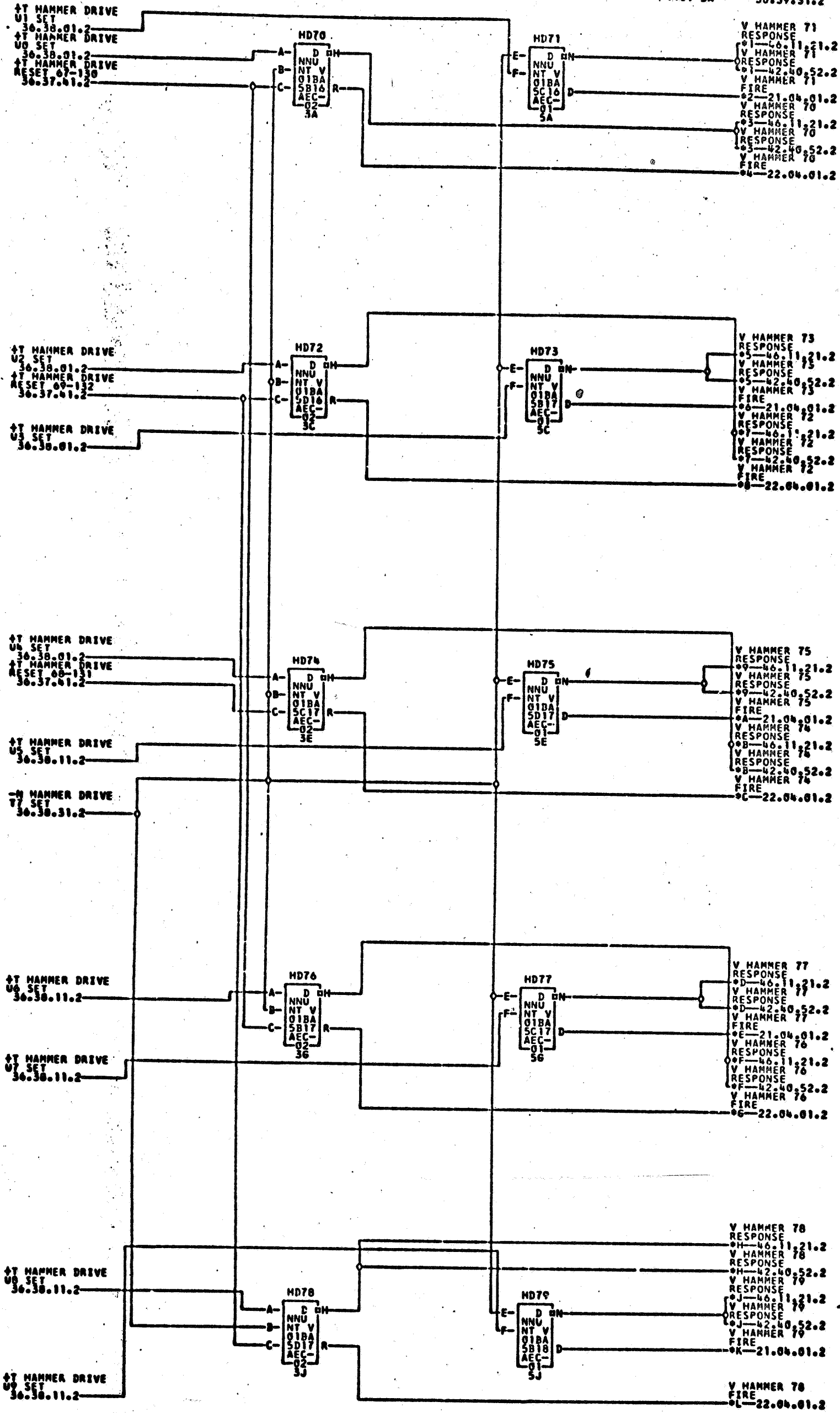
HAMMER DRIVE 70-79

1401 BA 36.39.31.2

TAG DATE

A 8.4.61
TA 37597A

B 12.3.63
TA 1775



- 01-01BSA16H
- 02-01BSA05D
- 03-01BSA18Q
- 04-01BSA10C
- 05-01BSA16H
- 06-01BSA05E
- 07-01BSA15H
- 08-01BSA10D
- 09-01BSA18H
- 0A-01BSA05F
- 0B-01BSA17H
- 0C-01BSA10F
- 0D-01BSA20H
- 0E-01BSA05G
- 0F-01BSA19H
- 0G-01BSA10G
- 0H-01BSA21H
- 0I-01BSA10H
- 0J-01BSA22H
- 0K-01BSA05H
- 0L-01BSA10G

COMMENTS

TAG DATE E.C.NO. TAG DATE E.C.NO. TAG DATE E.C.NO. TAG DATE E.C.NO.

A 10-01-60 109501J B 12-10-62 116749A

722358

0722359

HAMMER DRIVE 80-89

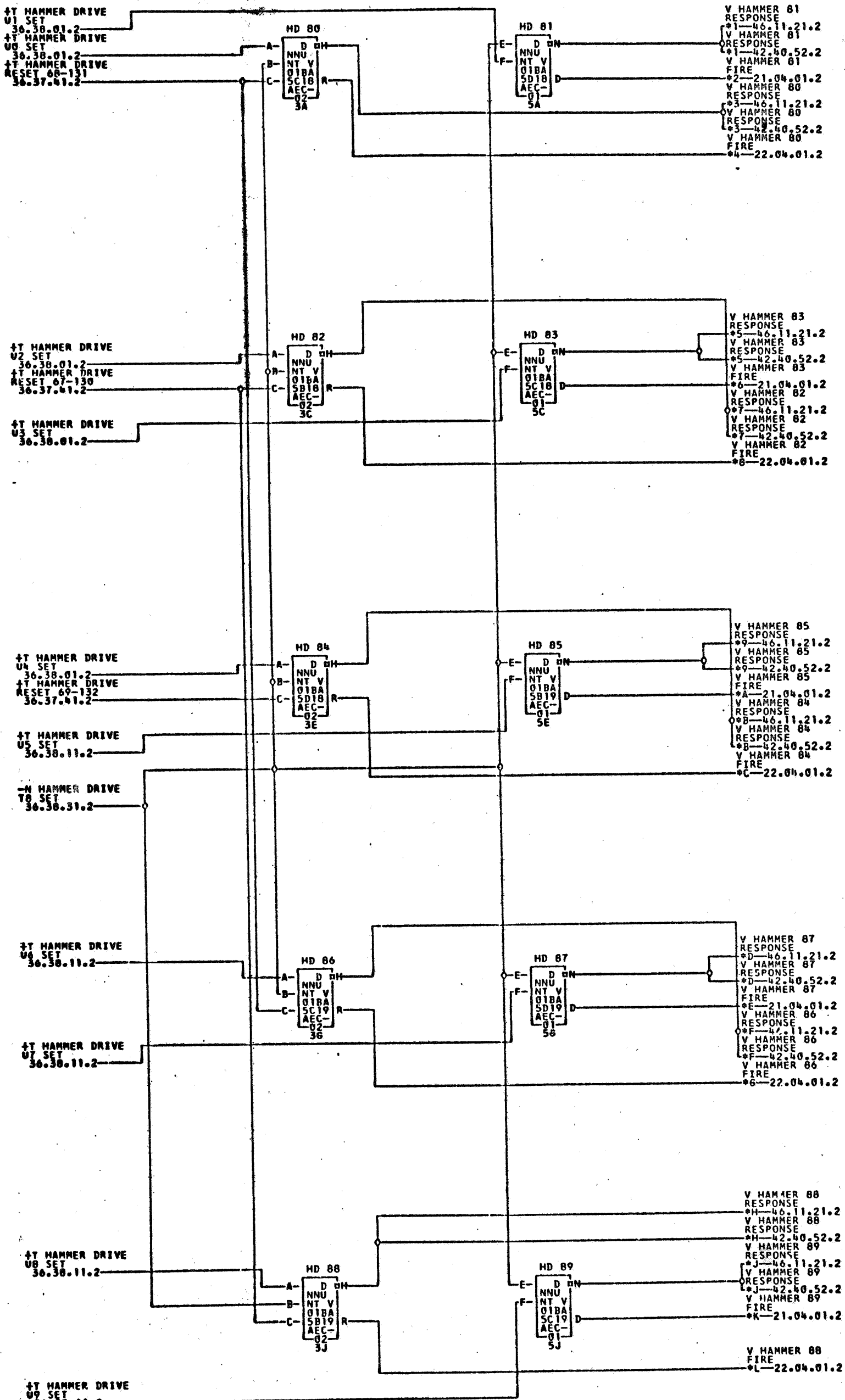
1401 BA

36.39.41.2

TAG DATE

A 8.4.61
TA 37597A

B 12.3.63
TA 1775



- *1-01B5A16K
- *2-01B5A05J
- *3-01B5A10R
- *4-01B5A10H
- *5-01B5A16K
- *6-01B5A05K
- *7-01B5A15K
- *8-01B5A10J
- *9-01B5A18R
- *A-01B5A05L
- *B-01B5A17K
- *C-01B5A10K
- *D-01B5A20K
- *E-01B5A05M
- *F-01B5A19K
- *G-01B5A10L
- *H-01B5A21K
- *J-01B5A22K
- *K-01B5A05N
- *L-01B5A10M

722359
1775

COMMENTS

TAG DATE	E.C.NO.	TAG DATE	E.C.NO.	TAG DATE	E.C.NO.	TAG DATE	E.C.NO.
A 10-01-60	109501J	B 12-10-62	118749A				

0722360

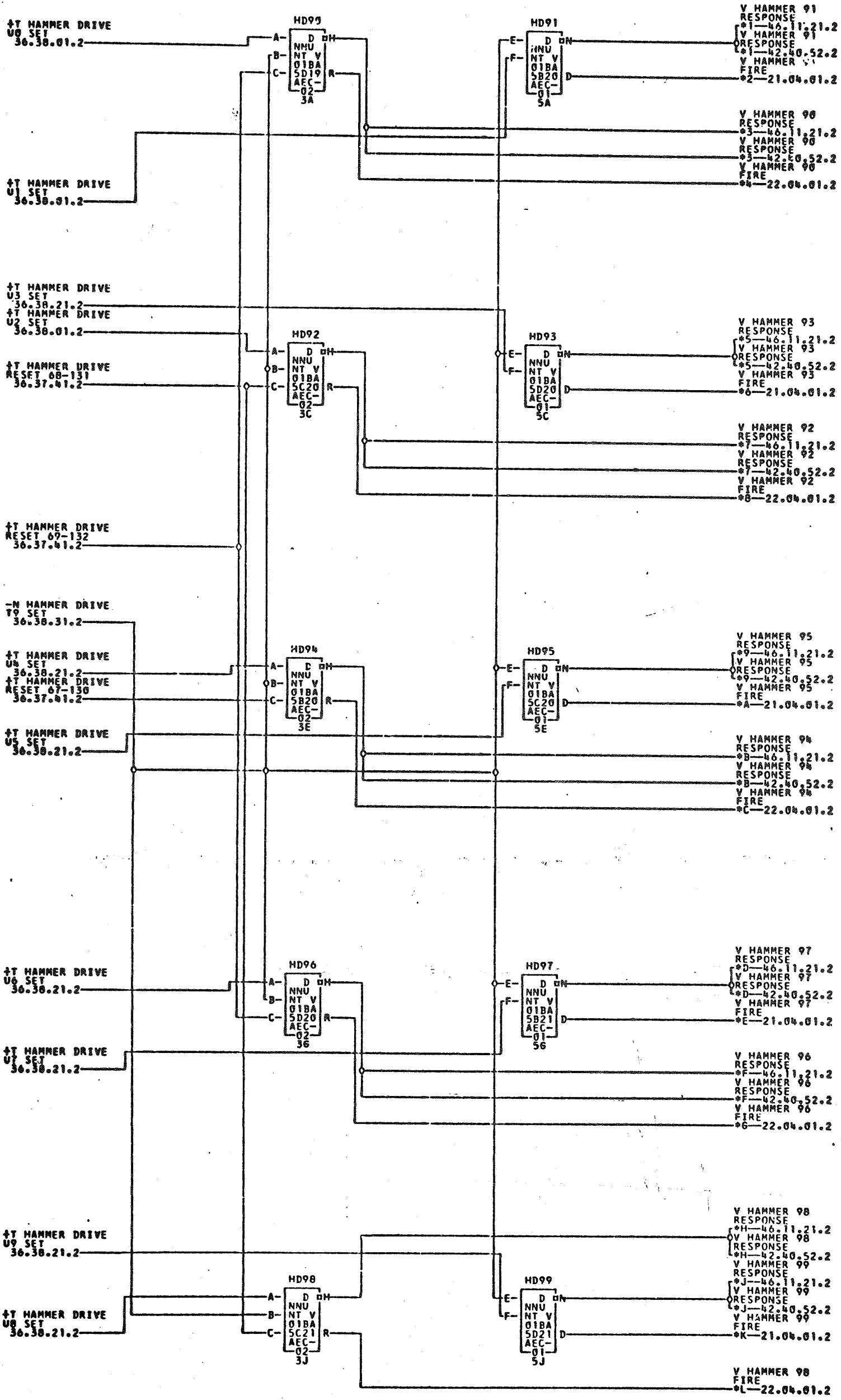
HAMMER DRIVE 90-99

1401 BA 36.39.51.2

TAG DATE

A 8.4.61
TA 37597A

B 12.3.63
TA 1775



- *1-01B5A14L
- *2-01B5A05P
- *3-01B5A190
- *4-01B5A10N
- *5-01B5A10L
- *6-01B5A05Q
- *7-01B5A15L
- *8-01B5A10P
- *9-01B5A18L
- *A-01B5A05R
- *B-01B5A17L
- *C-01B5A10Q
- *D-01B5A20L
- *E-01B5A06A
- *F-01B5A19L
- *G-01B5A10R
- *H-01B5A21L
- *J-01B5A22L
- *K-01B5A06B
- *L-01B5A11A

COMMENTS

TAG DATE E.C.NO. TAG DATE E.C.NO. TAG DATE E.C.NO. TAG DATE E.C.NO.

A 10-01-60 109501J B 12-10-62 116749A

722360

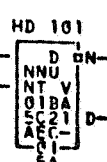
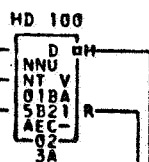
0722361

HAMMER DRIVE 100-109

1401 BA 36.39.61.2

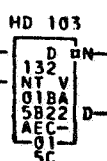
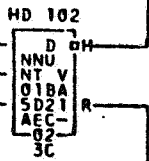
TAG DATE

†T HAMMER DRIVE
 U1 SET
 36.38.21.2
 †T HAMMER DRIVE
 U2 SET
 36.38.21.2
 †T HAMMER DRIVE
 U3 SET
 36.38.21.2
 †T HAMMER DRIVE
 U4 SET
 36.38.21.2
 †T HAMMER DRIVE
 U5 SET
 36.38.21.2
 †T HAMMER DRIVE
 U6 SET
 36.38.21.2
 †T HAMMER DRIVE
 U7 SET
 36.38.21.2
 †T HAMMER DRIVE
 U8 SET
 36.38.21.2
 †T HAMMER DRIVE
 U9 SET
 36.38.21.2



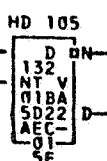
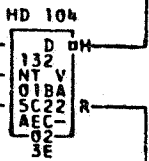
V HAMMER 101
 RESPONSE
 *1-46.11.31.2
 V HAMMER 101
 RESPONSE
 *1-42.40.52.2
 V HAMMER 101
 FIRE
 *2-21.04.01.2
 V HAMMER 100
 RESPONSE
 *3-46.11.31.2
 V HAMMER 100
 RESPONSE
 *3-42.40.52.2
 V HAMMER 100
 FIRE
 *4-22.04.01.2

†T HAMMER DRIVE
 U2 SET
 36.38.21.2
 †T HAMMER DRIVE
 U3 SET
 36.38.21.2
 †T HAMMER DRIVE
 U3 SET
 36.38.21.2



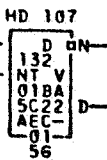
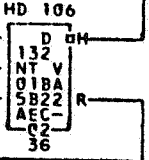
V HAMMER 103
 RESPONSE
 *5-46.11.31.2
 V HAMMER 103
 RESPONSE
 *5-42.40.52.2
 V HAMMER 103
 FIRE
 *6-21.04.01.2
 V HAMMER 102
 RESPONSE
 *7-46.11.31.2
 V HAMMER 102
 RESPONSE
 *7-42.40.52.2
 V HAMMER 102
 FIRE
 *8-22.04.01.2

†T HAMMER DRIVE
 U4 SET
 36.38.21.2
 †T HAMMER DRIVE
 U5 SET
 36.38.21.2
 †T HAMMER DRIVE
 U5 SET
 36.38.21.2



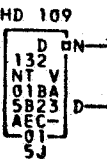
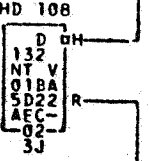
V HAMMER 105
 RESPONSE
 *9-46.11.31.2
 V HAMMER 105
 RESPONSE
 *9-42.40.52.2
 V HAMMER 105
 FIRE
 *A-21.04.01.2
 V HAMMER 104
 RESPONSE
 *B-46.11.31.2
 V HAMMER 104
 RESPONSE
 *B-42.40.52.2
 V HAMMER 104
 FIRE
 *C-22.04.01.2

†T HAMMER DRIVE
 U6 SET
 36.38.21.2
 †T HAMMER DRIVE
 U7 SET
 36.38.21.2



V HAMMER 107
 RESPONSE
 *D-46.11.31.2
 V HAMMER 107
 RESPONSE
 *D-42.40.52.2
 V HAMMER 107
 FIRE
 *E-21.04.01.2
 V HAMMER 106
 RESPONSE
 *F-46.11.31.2
 V HAMMER 106
 RESPONSE
 *F-42.40.52.2
 V HAMMER 106
 FIRE
 *6-22.04.01.2

†T HAMMER DRIVE
 U8 SET
 36.38.21.2
 †T HAMMER DRIVE
 U9 SET
 36.38.21.2



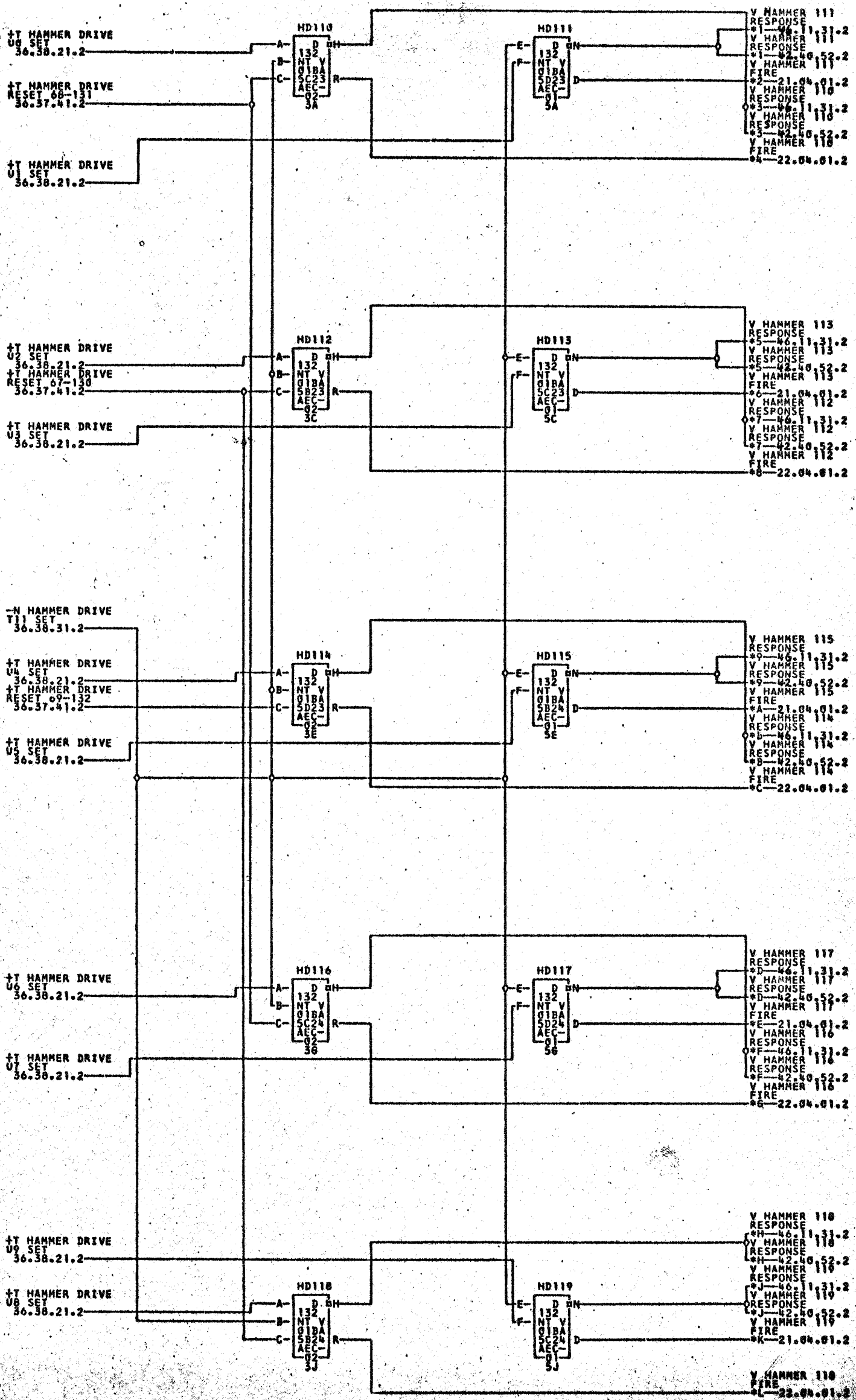
V HAMMER 108
 RESPONSE
 *H-46.11.31.2
 V HAMMER 108
 RESPONSE
 *H-42.40.52.2
 V HAMMER 109
 RESPONSE
 *J-46.11.31.2
 V HAMMER 109
 RESPONSE
 *J-42.40.52.2
 V HAMMER 109
 FIRE
 *K-21.04.01.2
 V HAMMER 109
 FIRE
 *L-22.04.01.2

- *1-01B5A14M
- *2-01B5A06C
- *3-01B5A10R
- *4-01B5A11B
- *5-01B5A16M
- *6-01B5A06D
- *7-01B5A15M
- *8-01B5A11C
- *9-01B5A18M
- *A-01B5A06E
- *B-01B5A17M
- *C-01B5A11D
- *D-01B5A20M
- *E-01B5A06F
- *F-01B5A19M
- *G-01B5A11E
- *H-01B5A21M
- *I-01B5A22M
- *K-01B5A06G
- *L-01B5A11F

722361

COMMENTS
 ADD B22 C22 D22 B23 FOR
 PRINT EXPAND 132 POSITIONS.

TAG DATE E.C.NO. TAG DATE E.C.NO. TAG DATE E.C.NO. TAG DATE E.C.NO.
 A 10-01-60 109501J B 12-10-62 116749A



A 8.4.61
 TA 97597A
 B 12.3.63
 TA 1775

- *1 = 01BSA11N
- *2 = 01BSA11H
- *3 = 01BSA11B
- *4 = 01BSA11R
- *5 = 01BSA11N
- *6 = 01BSA11H
- *7 = 01BSA11B
- *8 = 01BSA11R
- *9 = 01BSA11N
- *A = 01BSA11H
- *B = 01BSA11B
- *C = 01BSA11R
- *D = 01BSA11N
- *E = 01BSA11H
- *F = 01BSA11B
- *G = 01BSA11R
- *H = 01BSA11N
- *I = 01BSA11H
- *J = 01BSA11B
- *K = 01BSA11R

722362

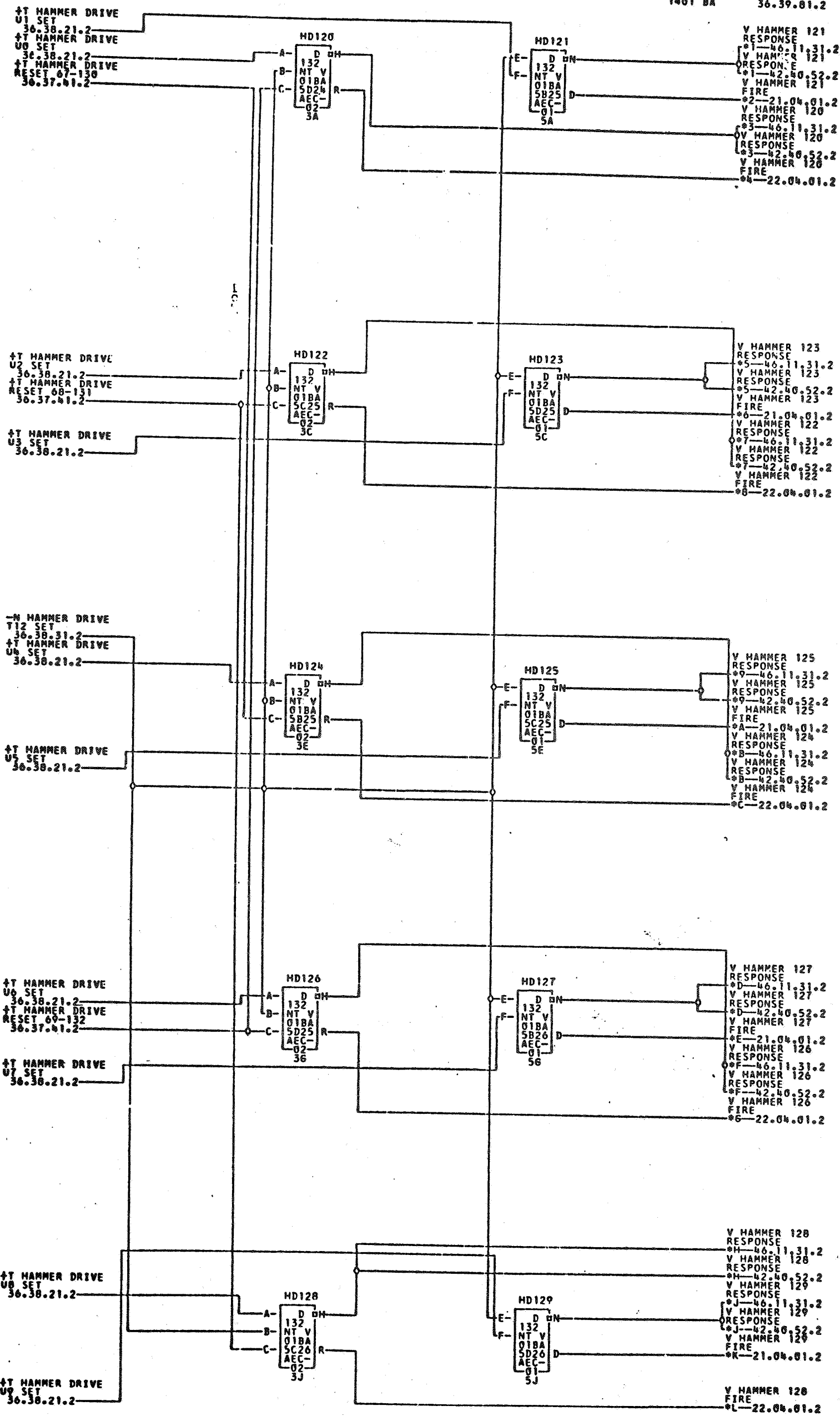
0722363

HAMMER DRIVE 120-129

1401 BA

36.39.01.2

TAG DATE



A 8.4.61
 TA 37597A
 B 12.3.63
 TA 1775

- *1-01B5A1P
- *2-01B5A06N
- *3-01B5A20R
- *4-01B5A11H
- *5-01B5A16P
- *6-01B5A06P
- *7-01B5A15P
- *8-01B5A11H
- *9-01B5A18P
- *A-01B5A060
- *B-01B5A17P
- *C-01B5A11P
- *D-01B5A20P
- *E-01B5A06R
- *F-01B5A19P
- *G-01B5A110
- *H-01B5A21P
- *J-01B5A22P
- *K-01B5A07A
- *L-01B5A11R

722363

COMMENTS
 ADD D24 B25 C25 B26 C26 D26
 FOR PRINT EXPAND 132 POSITIONS.

TAG DATE E.C.NO. TAG DATE E.C.NO. TAG DATE E.C.NO. TAG DATE E.C.NO.
 A 10-01-60 109501J B 12-10-62 116749A

072622

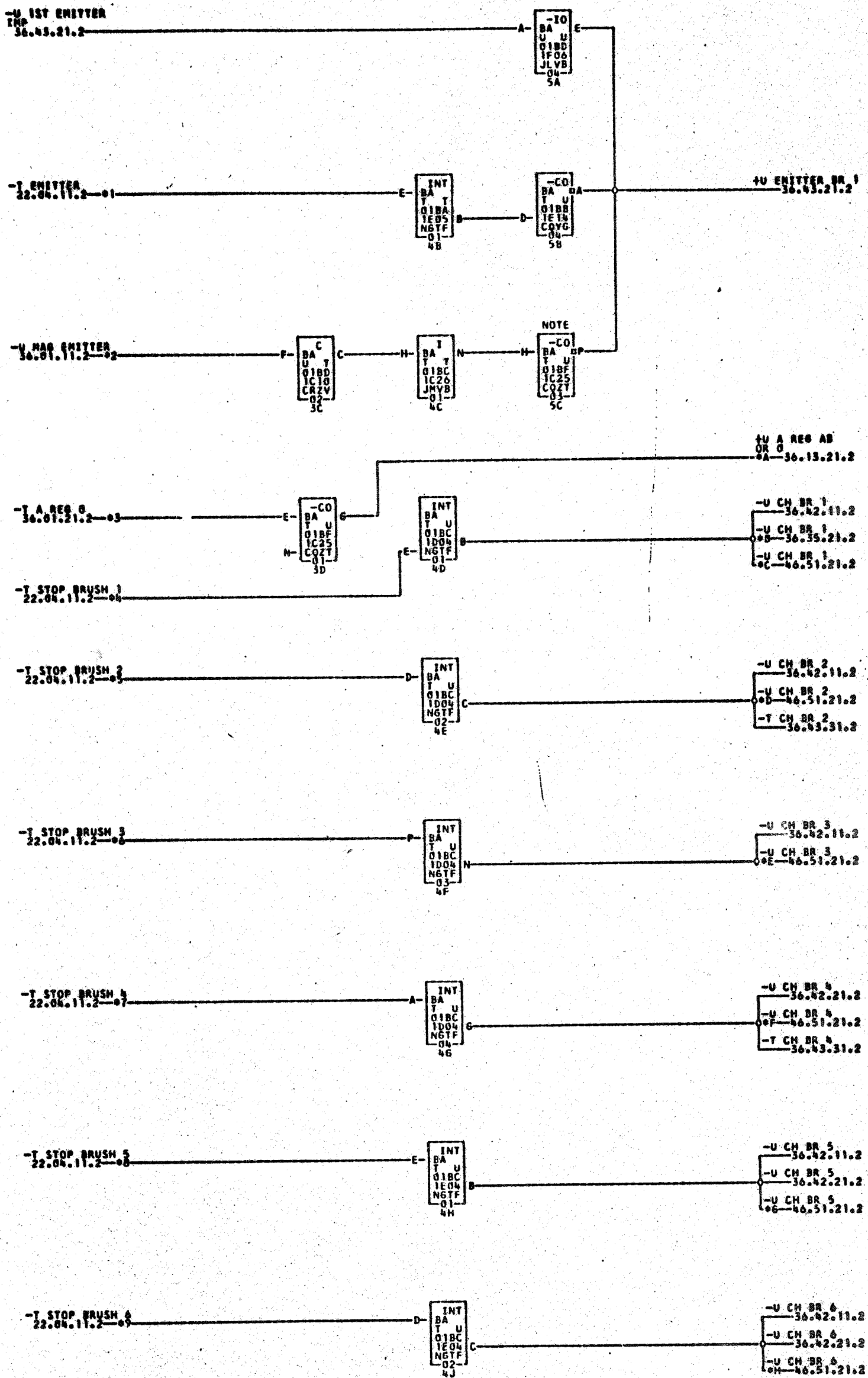
STOP BRUSH INTEGRATION

1401 BA

36.01.11.2

TAG DATE

E 18.4.63
TA 1815A
F 18.6.63
TA 1859



- *1-01B1E01A
- *2-01B1E03H
- *3-01B1D02K
- *4-01B1D03K
- *5-01B1E01D
- *6-01B1E01F
- *7-01B1E01G
- *8-01B1E01H
- *9-01B1E01I
- *A-01B1D02L
- *B-01B1E01J
- *C-01B1F03A
- *D-01B1F03B
- *E-01B1E01K
- *F-01B1F03D
- *G-01A5C25A
- *H-01A5C25D
- *I-01A5C25E
- *J-01A5C25F

NOTE-THIS CARD MUST BE PLUGGED IF THE MAGNETIC EMITTER IS PRESENT ON THE 1405 OR 1404 PRINTER

COMMENTS

TAG DATE	F.C.NO.	TAG DATE	F.C.NO.	TAG DATE	F.C.NO.	TAG DATE	F.C.NO.
A 12-04-61 11269C		B 06-05-62 11132A		C 10-17-62 116369		D 10-25-62 116727	
E 01-14-63 116789		F 02-08-63 117134					

724622

0724623

STOP BRUSH INTEGRATION

1401 BA

30.41.21.2

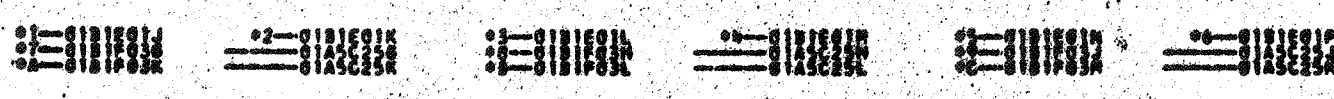
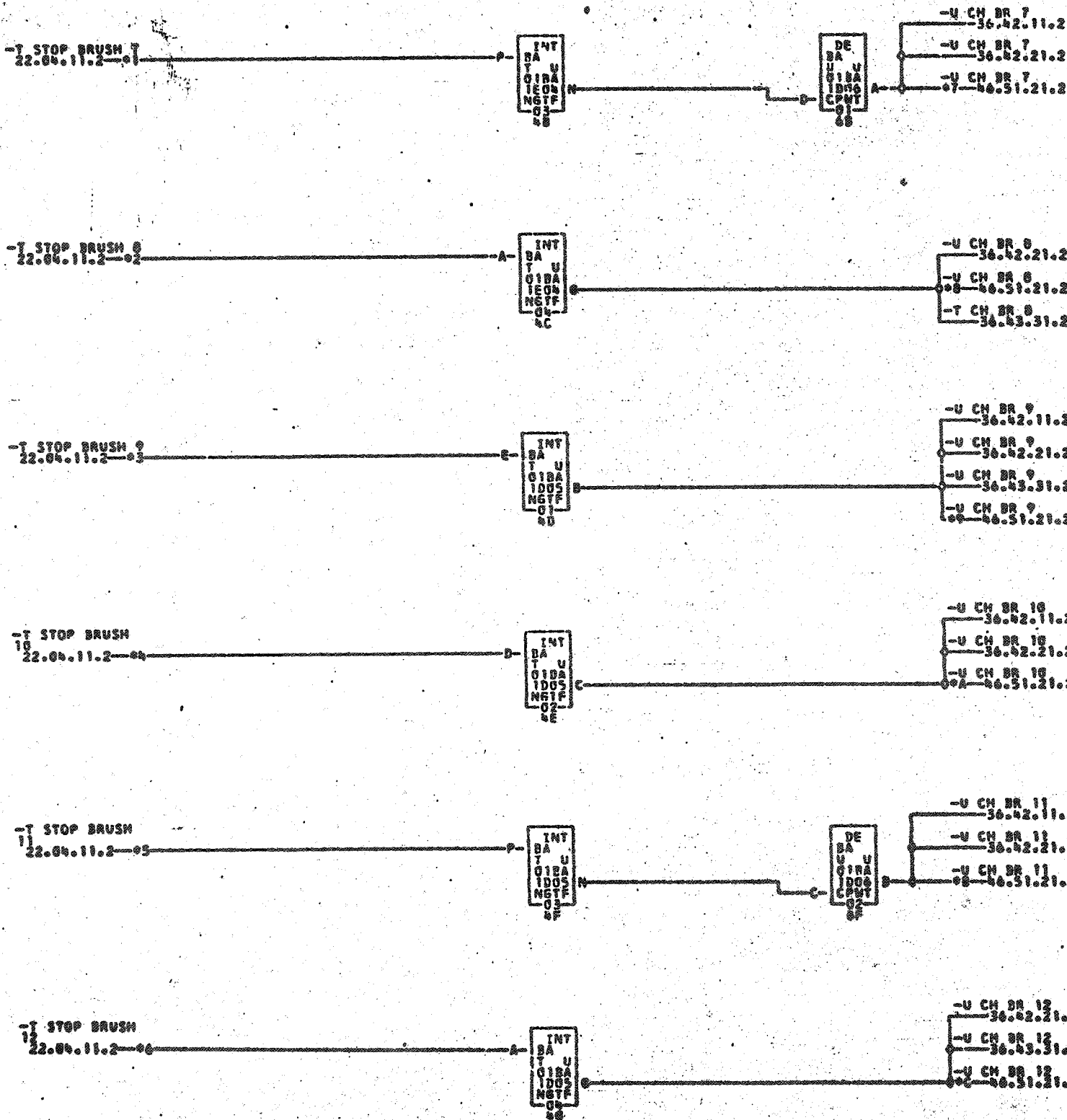
TAG DATE

B 9.1.63

TA 1696A

C 16.4.63

TA 1815A



A 1815 A 771023

0724624

CHANNEL BRUSH ENCODE 1 AND 2

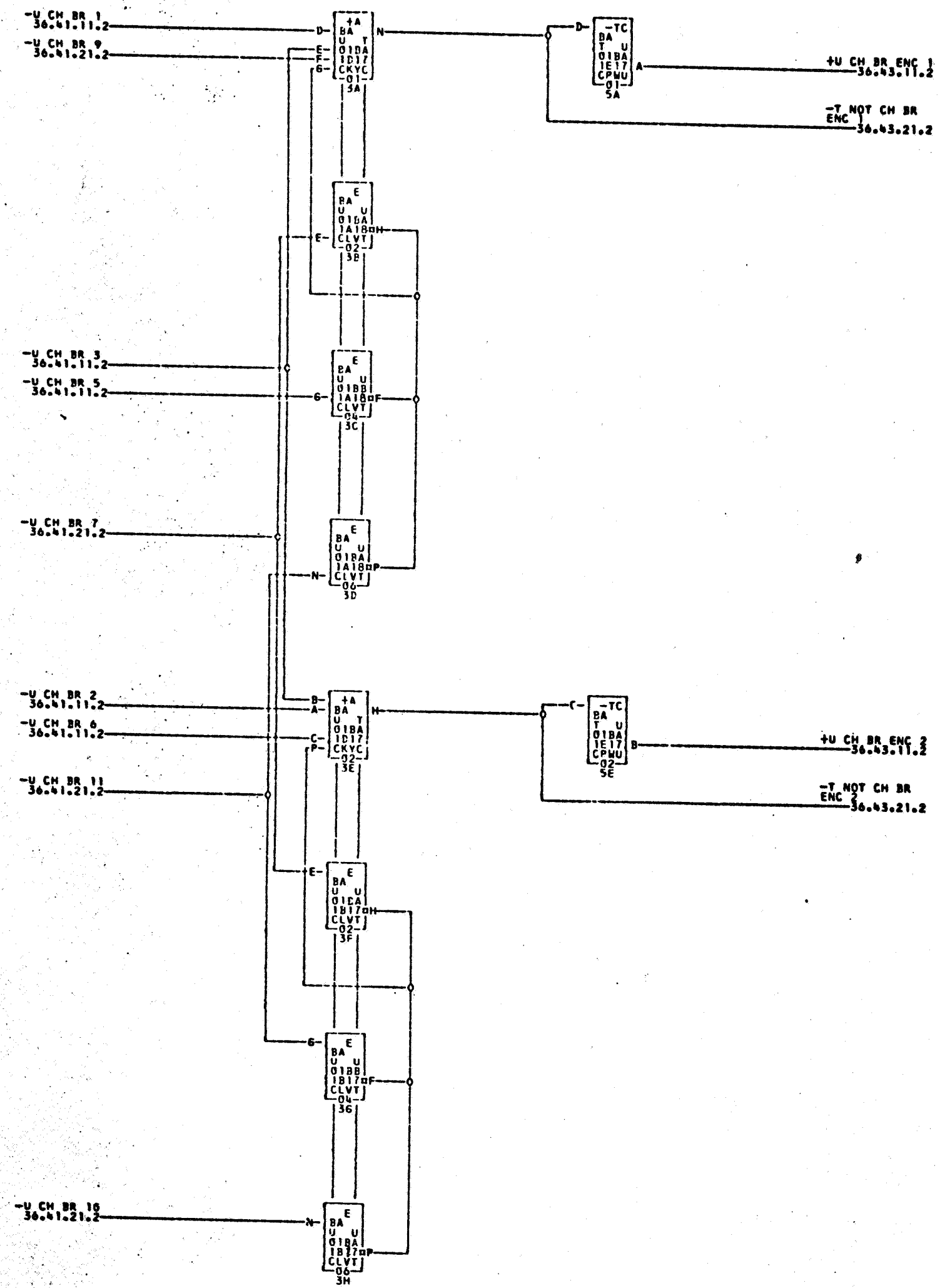
1401 BA

36.42.11.2

TAG DATE

A 28.5.62
TA 1344

B 16.4.63
TA 1815A



COMMENTS

TAG DATE	E.C.NO.	TAG DATE	E.C.NO.	TAG DATE	E.C.NO.	TAG DATE	E.C.NO.
A 12-04-61	112269C	B 01-14-63	116789				

724624
1875

072025

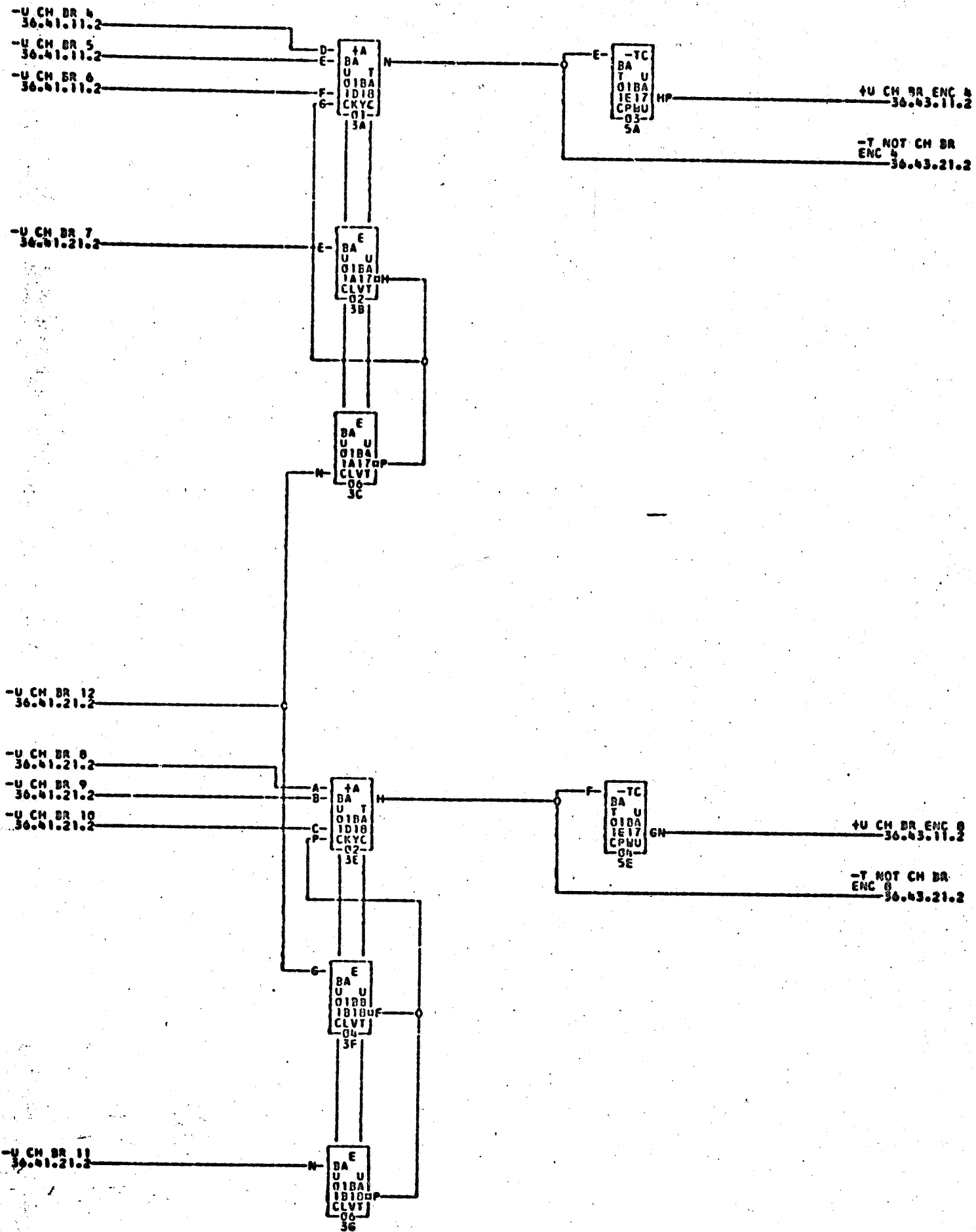
CHANNEL BRUSH ENCODE 4 AND 8

1401 BA 36.42.21.2

TAG DATE

A 28.5.62
TA 1344

B 16.4.63
TA 1815A



724025

COMMENTS

TAG DATE	E.C.NO.	TAG DATE	E.C.NO.	TAG DATE	E.C.NO.	TAG DATE	E.C.NO.
A 12-04-61	112269C	D 01-14-63	116789				

0724626

CHANNEL BRUSH REGISTER

1401 BA 36.43.11.2

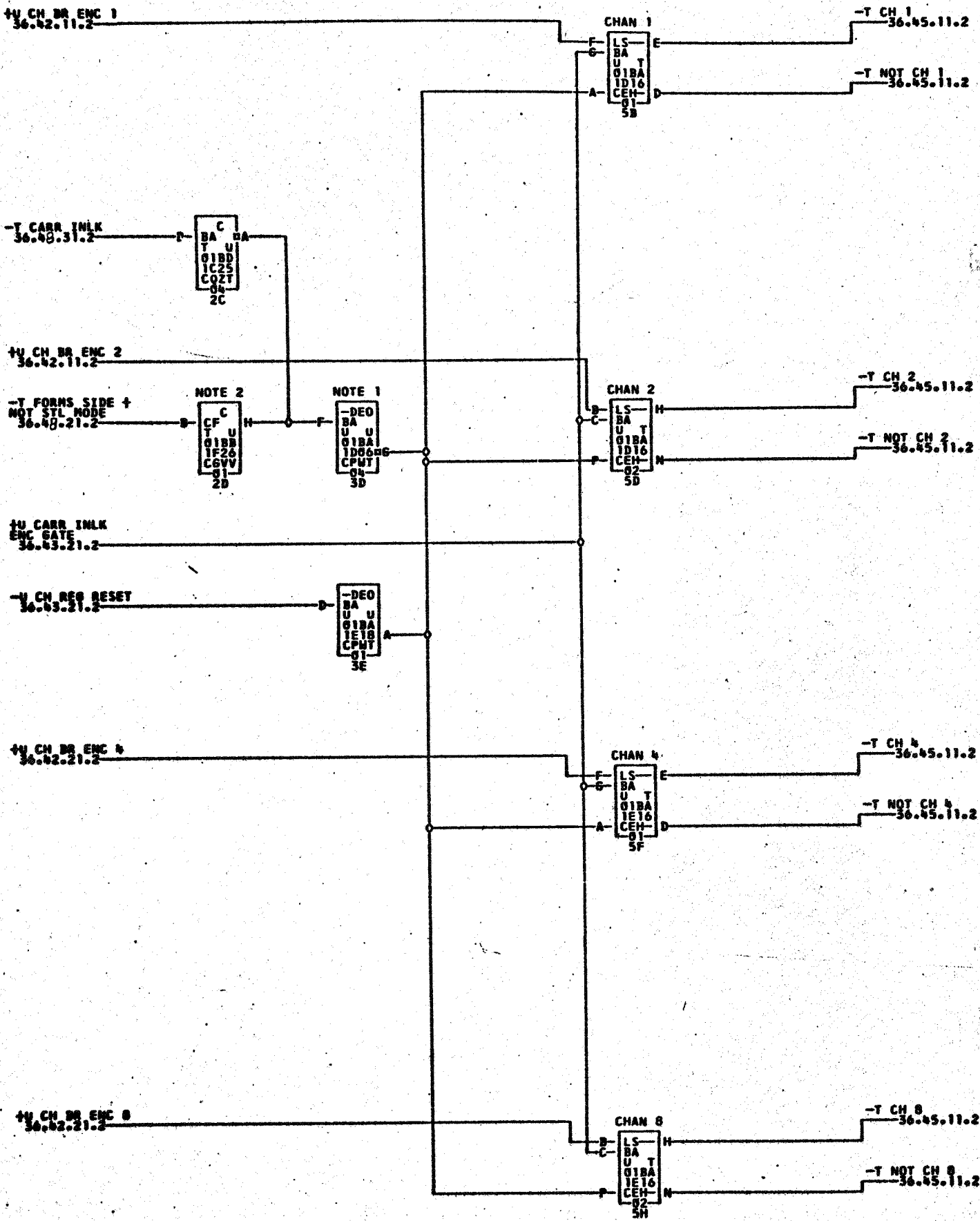
TAG DATE

C 16.4.63

TA 1815A

D 18.6.63

TA 1859



724626
1859

NOTE 1-TIE DOOF TO DO6J IF NEITHER THE CP OPTION NOR THE STL FEATURE IS PRESENT
 NOTE 2-CARD MUST BE PLUGGED FOR BOTH CP AND STL FEATURES.

TAG DATE	E.C.NO.	TAG DATE	E.C.NO.	TAG DATE	E.C.NO.	TAG DATE	E.C.NO.
A 12-04-61	112269C	B 07-26-62	11622B	C 01-14-63	116789	D 03-14-63	117231

0724627

E2 TRIGGER AND CHANNEL REGISTER CTRL

1401 BA

36.43.21.2

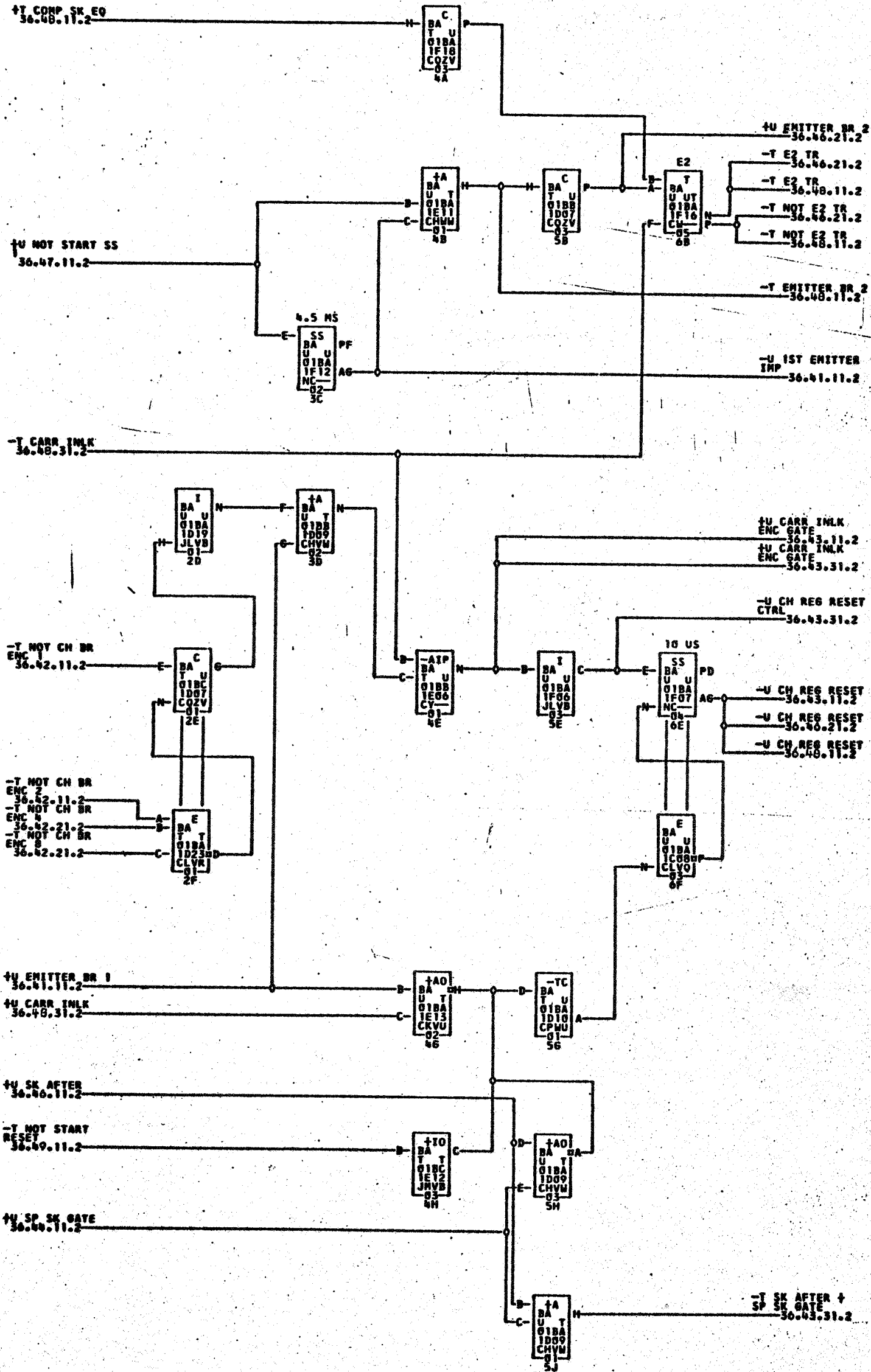
TAG DATE

C1.6.4.63

TA 1815A

E 18.6.63

TA 1859



COMMENTS

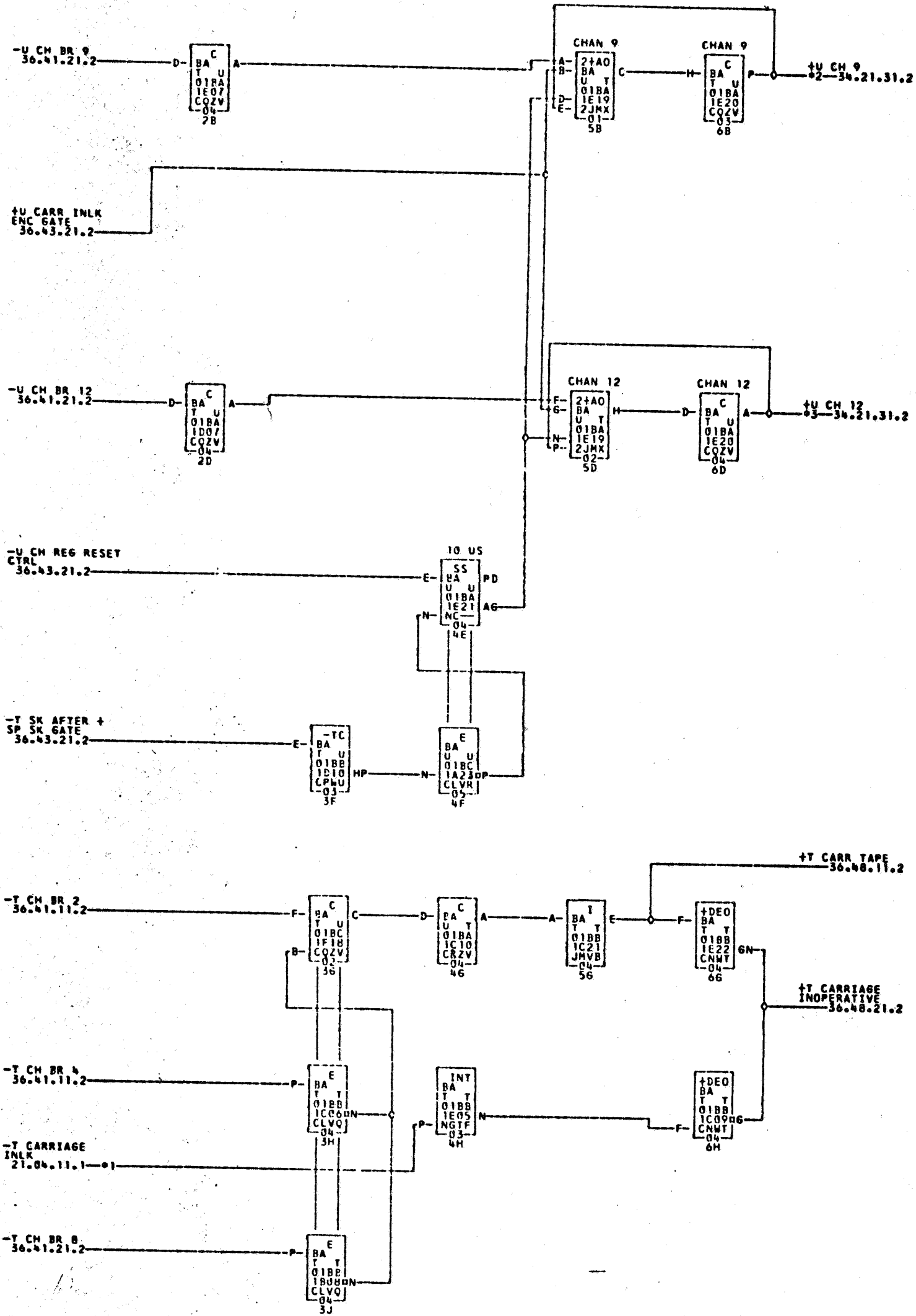
TAG DATE E.C. NO. 12-01-63 112249C E 06-10-63 117679

TAG DATE FIG. NO. 06-05-62 116132A

TAG DATE FIG. NO. 01-14-63 116780

TAG DATE FIG. NO. 02-08-63 119130

1859
724627



*1-01B1F01E *2-01B1A026 *3-01B1A02H

COMMENTS:

TAG DATE	E.C.NO.	TAG DATE	E.C.NO.	TAG DATE	E.C.NO.	TAG DATE	E.C.NO.
12-04-61	112267C	06-05-62	114132A	01-14-63	116789		

724628

0724629

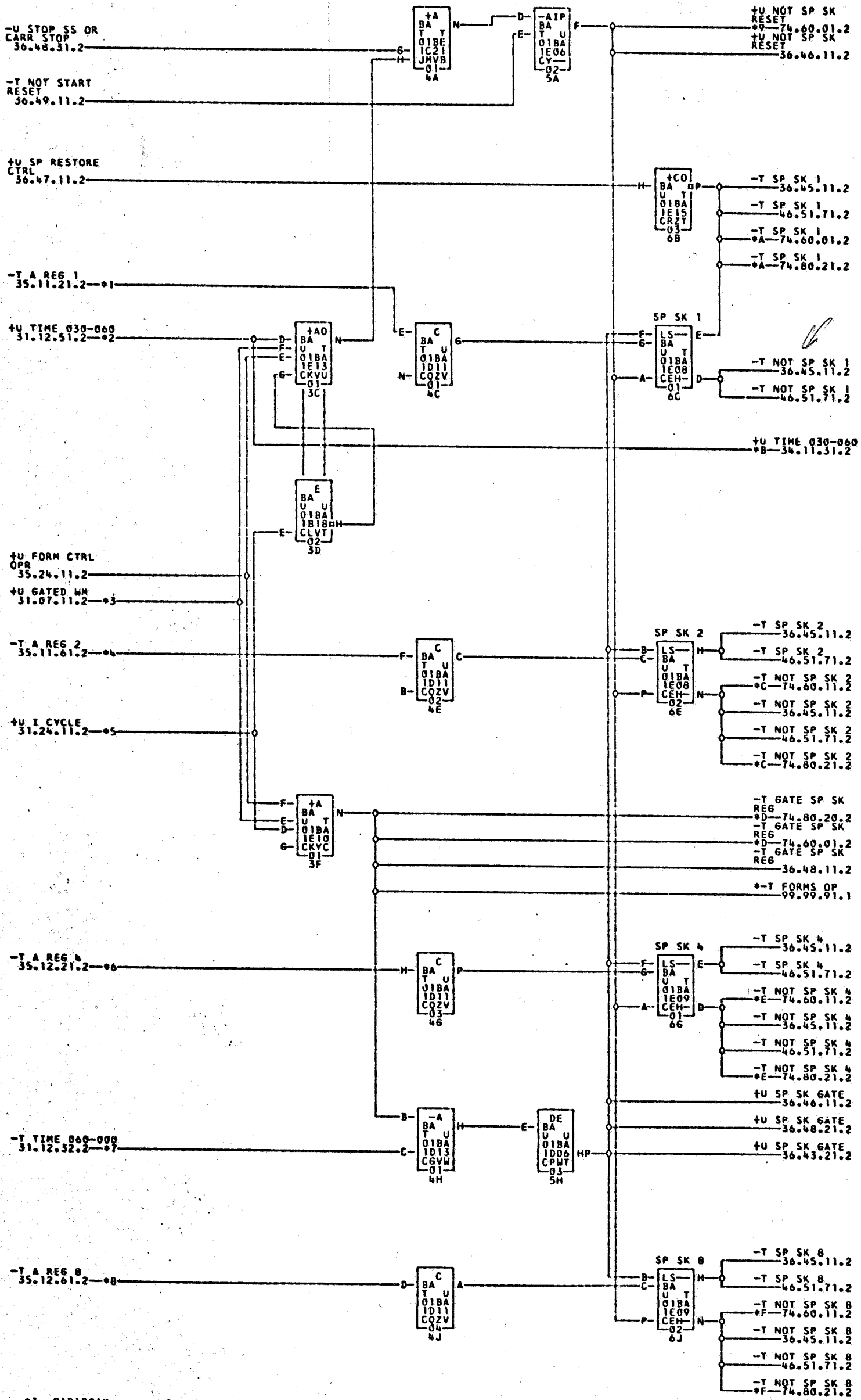
SPACE SKIP REGISTER

1401 BA 36.44.11.2

TAG DATE

F29.10.63
TA 1990A

G 12.11.63
TA 604A



- *1-01B1B01M
- *2-01B1B03J
- *3-01B1B03K
- *4-01B1B01N
- *5-01B1D01H
- *6-01B1B01P
- *7-01B1B03D
- *8-01B1B01Q
- *9-01B1F02G
- *A-01B1F02H
- *B-01B1A02C
- *C-01B1F02J
- *D-02A9A11D
- *E-01B1F02K
- *F-01B1F02L
- *G-02B8D02G
- *H-01B0D01C
- *I-02A9A05E
- *J-02B8D02D
- *K-02B8D02L

COMMENTS
SIGNALS PRECEDED BY AN ASTERISK
INDICATE DIRECT CABLE EXPANSION.

TAG DATE	E.C.NO.	TAG DATE	E.C.NO.	TAG DATE	E.C.NO.	TAG DATE	E.C.NO.
A 12-04-61	112269C	B 01-25-62	113830A	C 06-05-62	114132A	D 07-26-62	116228
E 01-14-63	116789	F 08-02-63	117971	G 09-17-63	118575C		

724629

0724630

SPACE SKIP COMPARE EQUAL

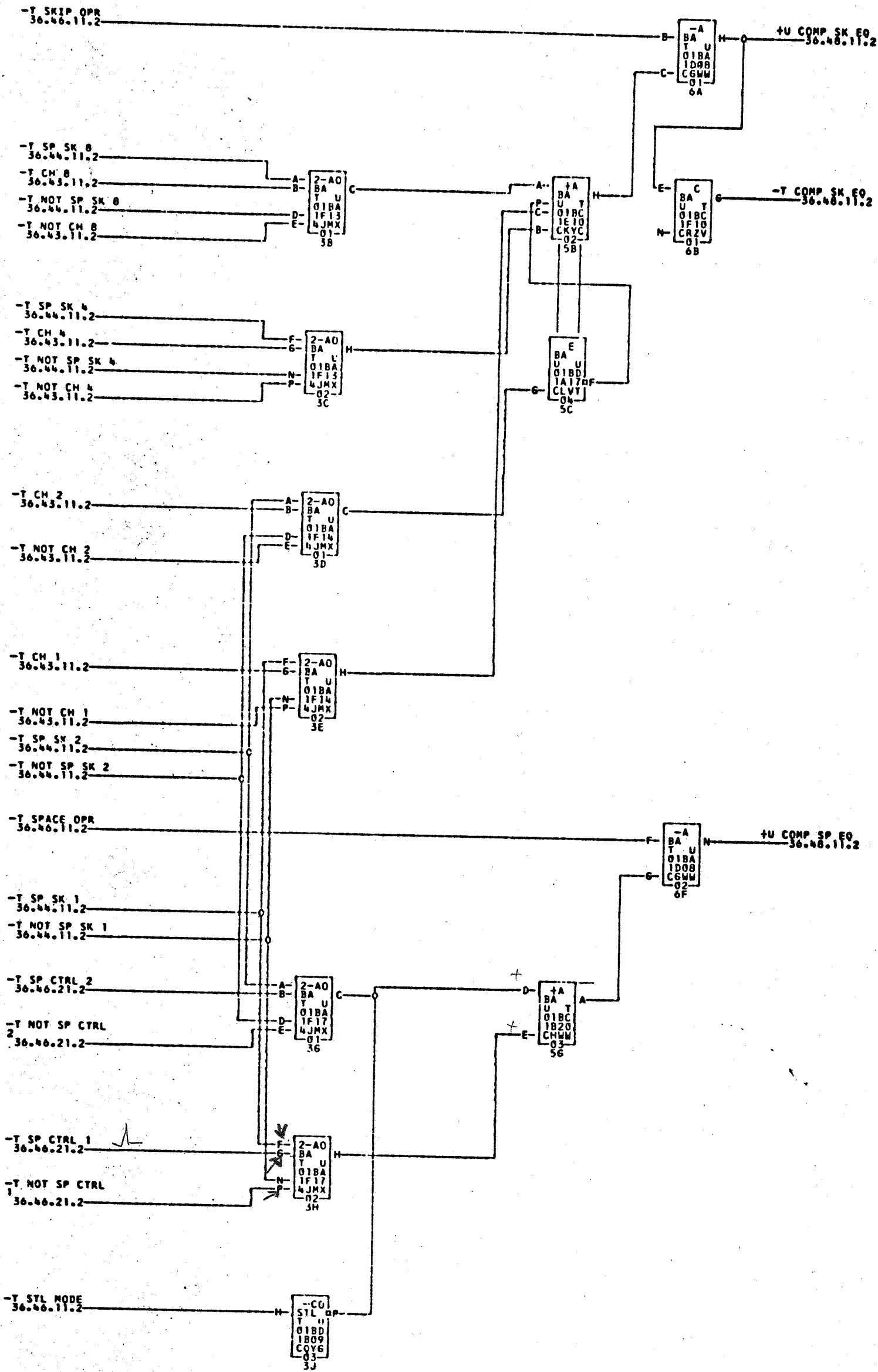
1401 BA

36.45.11.2

TAG DATE

C 26.9.62
TA 1344D

D 16.4.63
TA 1815A



COMMENTS

TAG DATE	E.C.NO.	TAG DATE	E.C.NO.	TAG DATE	E.C.NO.	TAG DATE	E.C.NO.
A 12-04-61	112269C	B 02-22-62	114126A	C 06-05-62	114132A	D 01-14-63	116789

724630

072431

CARRIAGE OPR REGISTER

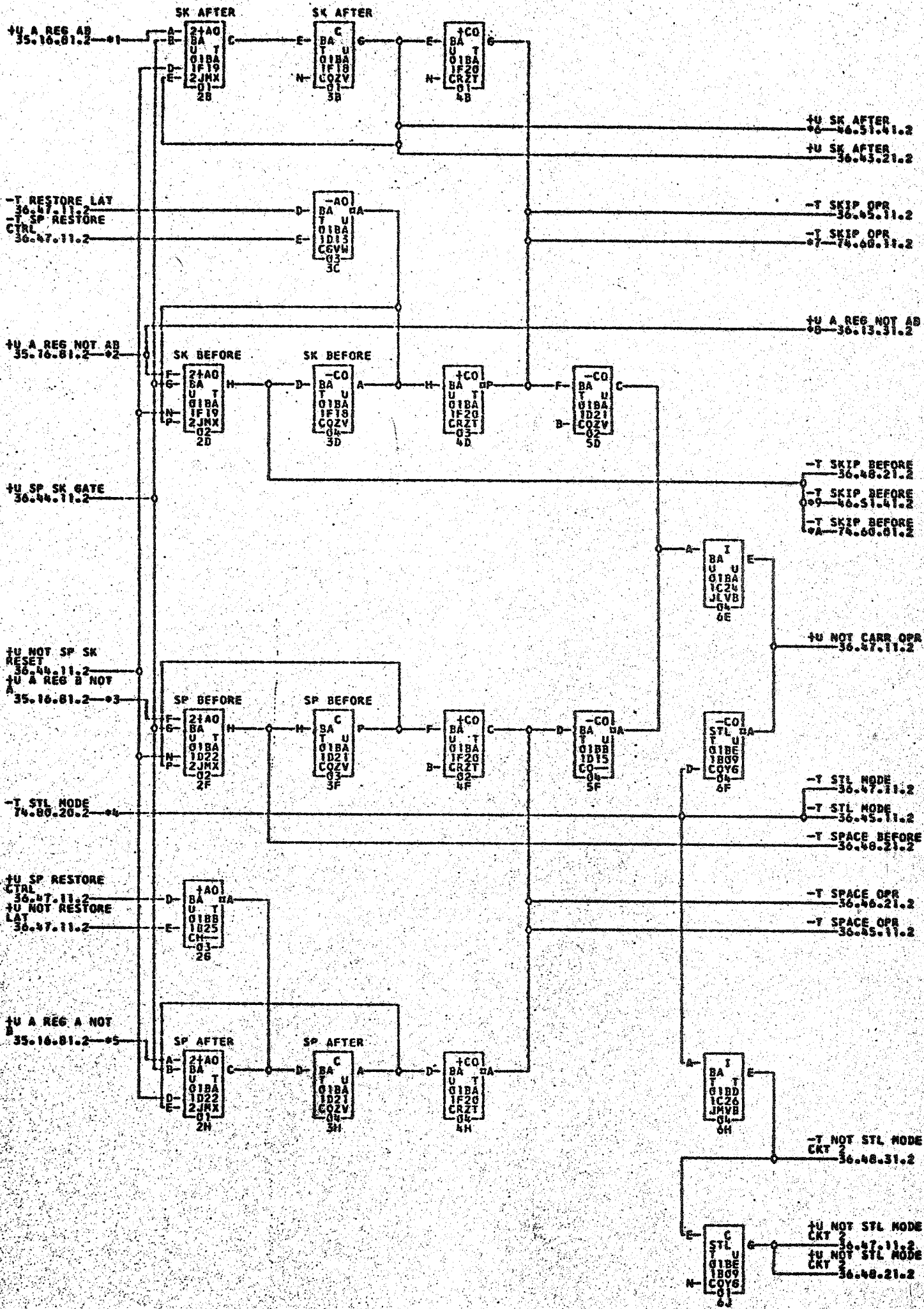
1401 BA

36.46.11.2

TAG DATE

D 9.1.63
TA 1896A

E 16.4.63
TA 1815A



- *1-01B1B01K
- *2-01B1B01L
- *3-01B1B01J
- *4-01B1F02Q
- *5-01B1B01H
- *6-01B1B02M
- *7-01B1F02H
- *8-02A9A09D
- *9-02A9A07E
- *0-02B8D02C
- *1-01B1F02C
- *2-01B1B03H
- *3-01B1B03L

COMMENTS

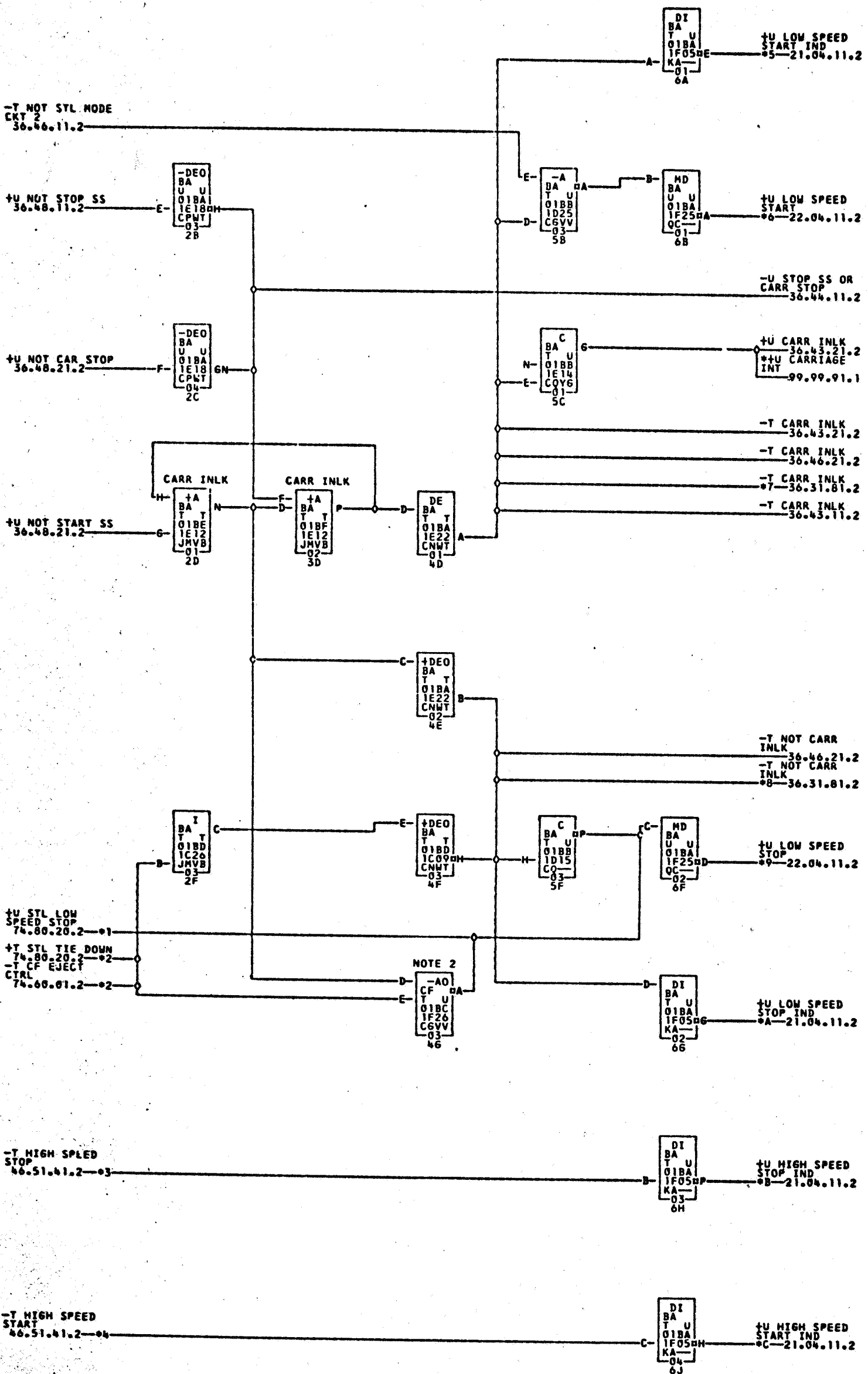
TAG DATE F.C.NO. TAG DATE F.C.NO. TAG DATE F.C.NO. TAG DATE F.C.NO.

A 12-04-61 112229C B 06-05-62 116132A C 07-24-62 116328 D 10-11-62 116309

E 01-14-63 116789

724631

1815 A



- *1-01B1F02B
- *2-01B1F02R
- *3-01B1F030
- *4-01B1F03N
- *5-01B1F01H
- *6-01B1E010
- *7-01B1E03B
- *8-01B1E03C
- *9-01B1E01R
- *A-01B1F01F
- *B-01B1F01G
- *C-01B1F01H

NOTE 2-CARD MUST BE PLUGGED FOR BOTH CF AND STL FEATURES. SIGNALS PRECEDED BY AN ASTERISK INDICATE DIRECT CABLE EXPANSION.

TAG DATE	E.C.NO.	TAG DATE	E.C.NO.	TAG DATE	E.C.NO.	TAG DATE	E.C.NO.
A 12-04-61	112269C	B 06-05-62	114132A	C 07-26-62	116228B	D 10-17-62	116369
E 01-14-63	116789	F 03-14-63	117231	G 09-17-63	118575C		

724636

0724637

SIGNAL DISTRIBUTION SHEET

1401 BA

36.49.11.2

TAG DATE

B 7.11.62
TA 1620

C 16.4.63
TA 1815A

-T TIME 030-060
31.12.12.2-#1

-T TIME 030-060
35.28.31.2

-T NOT I RING
OP 31.31.31.2-#2

-T NOT I RING
OP 35.21.11.2
-T NOT I RING
OP 35.28.31.2

-T NOT START
RESET 37.30.31.2-#3

-T NOT START
RESET 74.00.01.2
-T NOT START
RESET 74.00.20.2
-T NOT START
RESET 35.21.11.2
-T NOT START
RESET 36.43.21.2
-T NOT START
RESET 36.44.11.2
-T NOT START
RESET 36.47.11.2
-T NOT START
RESET 36.48.21.2
-T NOT START
RESET 31.31.31.2
+U AFTER SPACE
CTRL 36.47.11.2
+U AFTER SPACE
CTRL 36.48.21.2
+U AFTER SPACE
CTRL 36.49.21.2

+U AFTER SPACE
CTRL 36.31.71.2-#4

*1-01B103C
*1-01B103E

*2-01B1A02K

*3-01B1A01L

*4-01B1E03A

*5-01B1D03Q

01A5B250

COMMENTS

TAG DATE E.C.NO. TAG DATE E.C.NO. TAG DATE E.C.NO. TAG DATE E.C.NO.
A 12-04-61 112269C B 07-26-62 116228 C 01-14-63 116789

724637
A 1815 A

0724638

FEED THROUGH SHEET

1401 BA 36.49.21.2

TAG DATE

-T BRANCH
34.21.41.2-01

-T BRANCH
*E-70.11.41.2

D 7.2.63
TA 1735A

+U TRANSFER B
REG
35.18.11.2-02

+U TRANSFER B
REG
*F-35.30.31.2

E 16.4.63
TA 1815A

-T WM OR C BIT
35.30.21.2-03

-T WM OR C BIT
*G-70.51.21.2

+U AFTER SPACE
CTRL
36.49.11.2

+U AFTER SPACE
CTRL
*H-46.51.41.2

+U CLOCK CONT.
RAMC
75.01.05.2-04

+U CLOCK CONT.
RAMC
*J-36.31.51.2

+U TIME 000-030
31.12.51.2-05

+U TIME 000-030
*K-37.31.21.2

-T TIME 000-040
31.12.51.2-06

-T TIME 000-040
*L-41.50.81.2

-T STORE CYCLE
2 ADDER CARRY
41.50.21.2-07

-T STORE CYCLE
2 ADDER CARRY
*M-34.31.15.2

-T NOT INO A
INDEX BLOCK
77.30.21.2-08

-T NOT INO A
INDEX BLOCK
*N-41.50.01.2

+U BLOCK D P
TURN ON
36.31.61.2-09

+U BLOCK D P
TURN ON
*P-31.02.11.2

+U ADDR STOP
COMP SYNC
32.45.31.2-0A

+U ADDR STOP
COMP SYNC
*Q-75.01.03.2

-T DELTA B IO
31.02.31.2-0B

-T DELTA B IO
*R-36.31.31.2

-T BLK R-P
OVL P MODE
37.31.11.2-0C

-T BLK R-P
OVL P MODE
*S-74.21.01.2

-T BLK T+I-O
OVL P MODE
37.31.11.2-0D

-T BLK T+I-O
OVL P MODE
*T-74.21.01.2

*1-01B1A02M
*7-01B1A03G
*D-01B1A01O
*K-01B1A01P
*2-02B6C03N
*T-01B1C03F

*2-01B1C03O
*8-01B1B02R
*E-01B1C03M
*L-01B1A05O
*P-01B1D01G

*3-01B1A02R
*9-01B1E03J
*A-01B1E03P
*F-01B1A02Q
*M-01B1E02K
*Q-01B1A03P

*4-01B1A03M
*A-01B1E03P
*G-01B1C03R
*H-01B3D02K
*R-01B1E03M

*5-01B1E02P
*B-01B1C01R
*H-01B1D03N
*N-01B1A03N
*O-01A6D24M

*6-01B1E02O
*C-01B1A01N
*J-01B1E03K
*2-02A0F13A
*S-01B1A03L

COMMENTS

TAG DATE E.C.NO. TAG DATE E.C.NO. TAG DATE E.C.NO. TAG DATE E.C.NO.
A 12-04-61 112249C B 01-25-62 113830A C 07-26-62 116228 D 10-25-62 116727
E 01-14-63 116789

724638
1/24/63

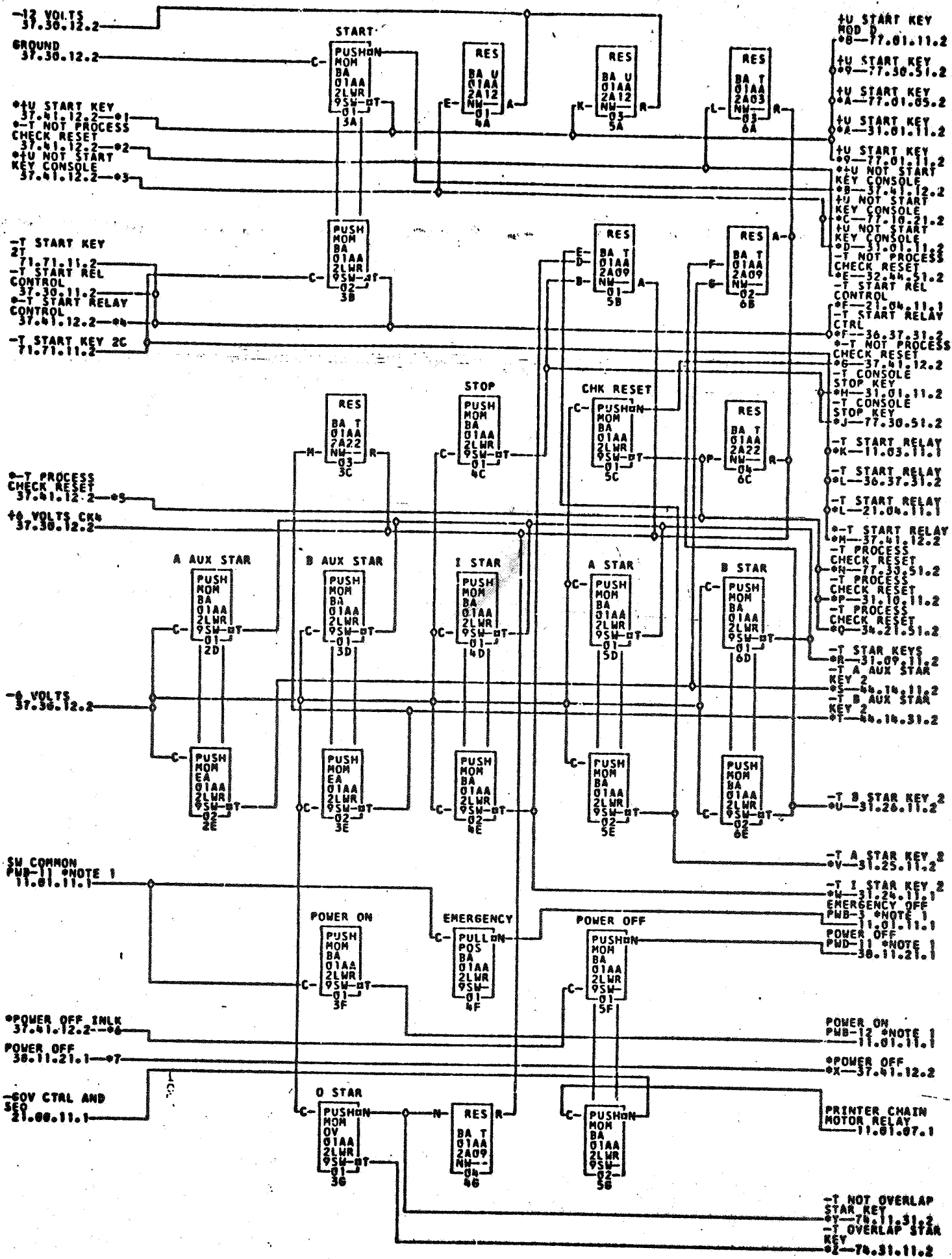
0728703

SWITCHES CONSOLE LOWER

1401 BA

37.10.11.2

TAG DATE



C 7.12.63
TA 1664
D 16.4.63
TA 1815A

*1-01A2A23L	01B8RC54	*2-01A2A02E	01B8RC25	*3-01A2A23R	01B8RC53
*4-01A2A07J	01B8RC56	*5-01A2A04H	01B8RC23	*6-01B8RC7J	*7-01A2A17P
*8-01A2A23L	01B8A0AF	*9-01B7D03R	*0-01A2A23L	*1-01B8A0AF	*2-02AHC24R
*A-01A2A13D	01B2F04D	*B-01B8RC52	*C-01A2A23R	*3-01B8A0CB	*4-01A2A13A
*5-01B2F04A	*E-01A2A02E	*6-01A8C24E	*F-01A2A23P	*5-01A6D26J	*6-01A6A26F
*6-01B8RC24	*H-01A2A13K	*7-01B2F04K	*G-01A6D24H	*7-01B8A0BT	*8-01A2A19L
*7-01B4A03L	*I-01B4D026	*L-01A2A07H	*8-01B8A0B9	*8-01B3F026	*9-01A2A19L
*8-01B8RC55	*N-01A2A23BB	*M-01B8A0BJ	*9-01A2A18P	*9-01B3F026	*0-01A2A04H
*9-01B8A02M	*O-01A2A11E	*0-01B2F03E	*S-01A2A14A	*0-02A9E69A	*1-02B7D02H
*T-01A2A14B	*P-02A9E11A	*1-02B7D02B	*U-01A2A11L	*1-01B2F03L	*2-02B7D02H
*1-01B2F03M	*Q-01A2A11B	*2-01B2F036	*V-01A2A17P	*2-01B8RC7H	*3-01A2A14R
*2-02A9F19A	*R-02B1E02R	*Z-01A2A14M	*W-02A9F11A	*3-02B1E02H	

1815A
728703

NOTE 1: WHEN A SIGNAL IS PRECEDED BY AN ASTERISK, ITS EXPANSION INDICATES CABLE WIRING FOR REMOTE RECYCLE CONTROL INSTALLATION.

COMMENTS TAG DATE E.C. NO. TAG DATE E.C. NO. TAG DATE E.C. NO. TAG DATE E.C. NO. TAG DATE E.C. NO.
A 12-15-61 113530 B 05-03-62 116141 C 09-20-62 116146 D 01-22-63 116192

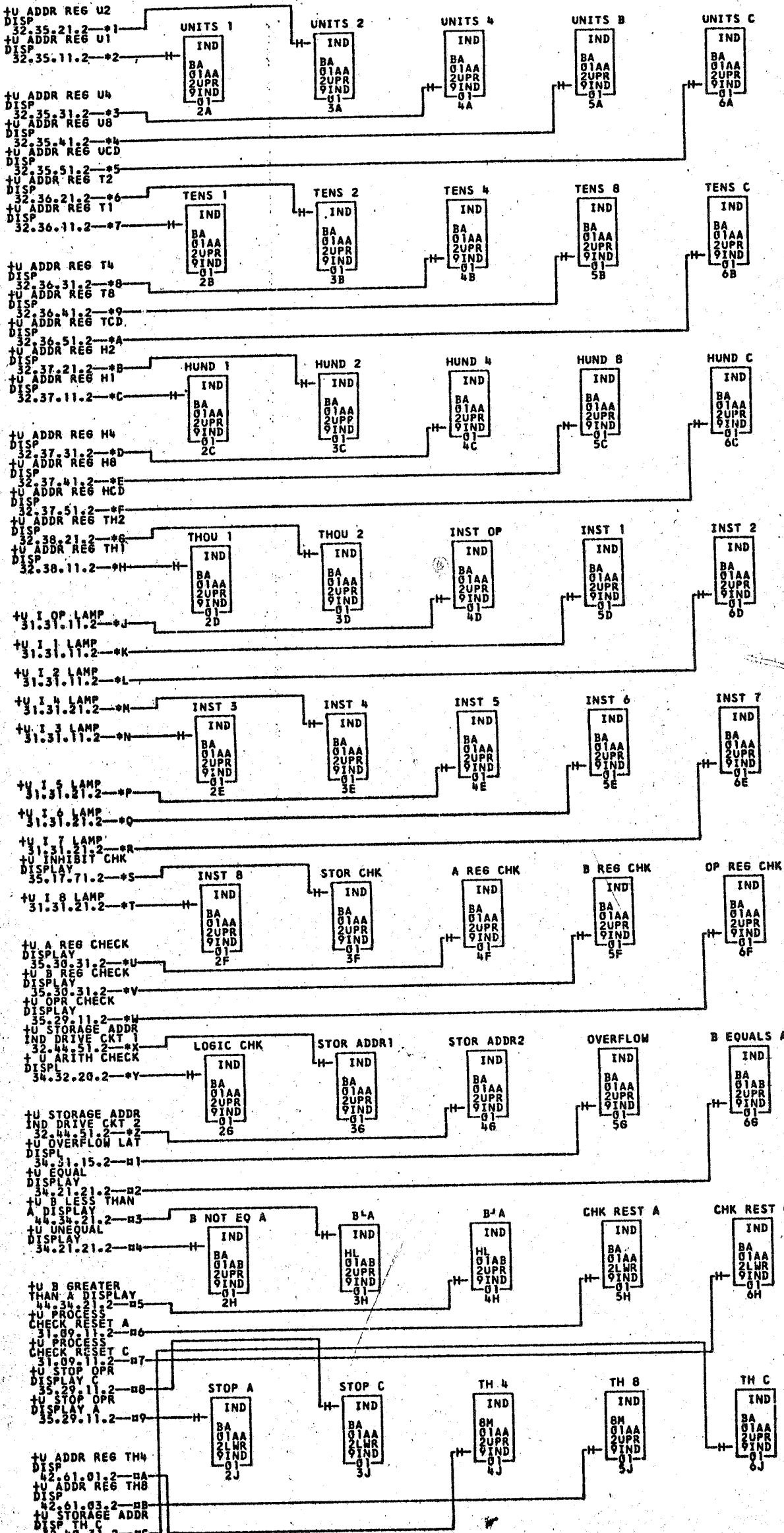
0728705

INDICATORS - CONSOLE

1401 BA

37.20.21.2

TAG DATE

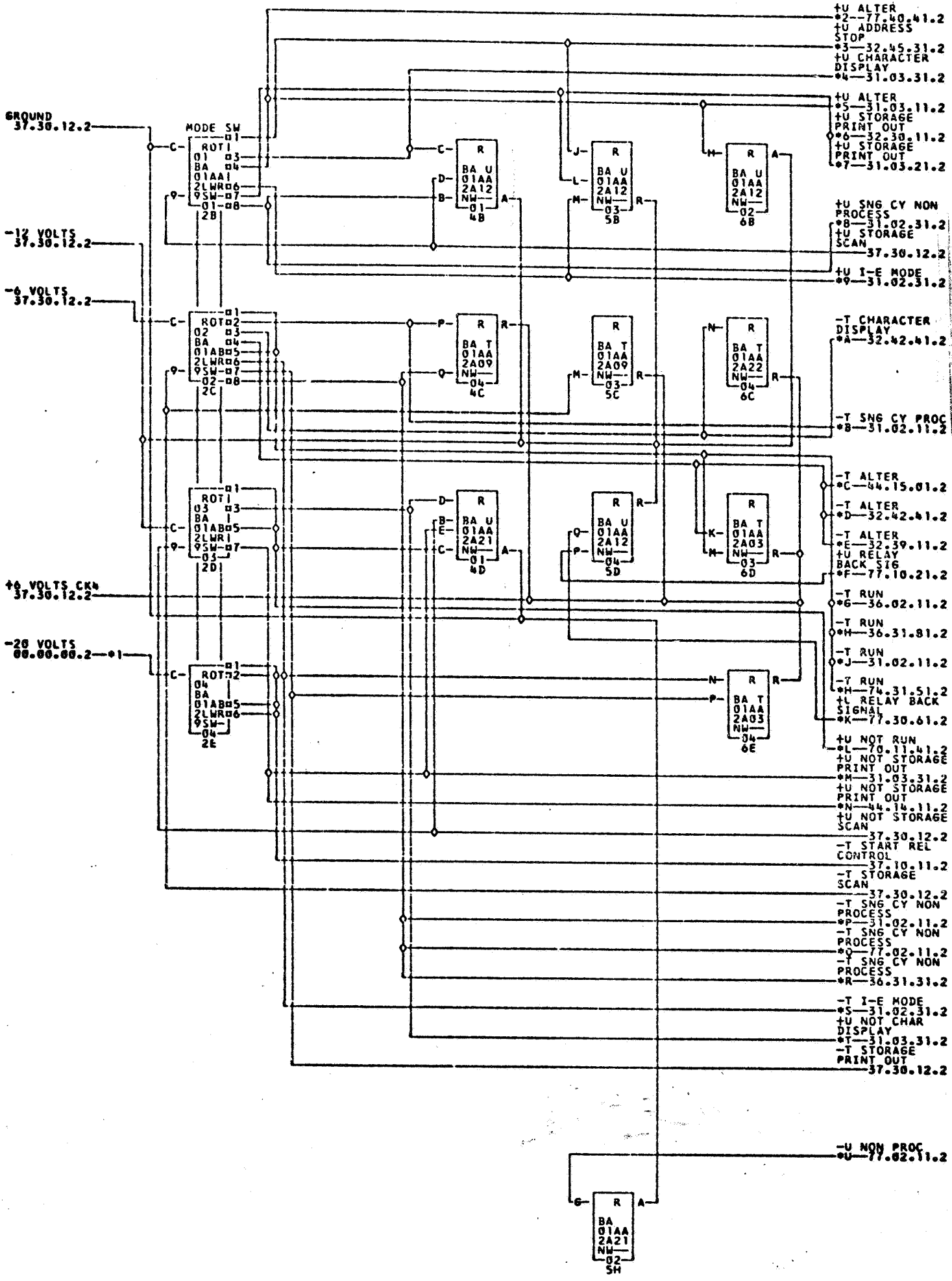


A 5.4.68
 TA 1233B
 B 16.4.63
 TA 1815A

- *1-01A2A01B
- *2-01A2A01A
- *3-01A2A01C
- *4-01A2A01D
- *5-01A2A01E
- *6-01A2A01F
- *7-01A2A01G
- *8-01A2A01H
- *9-01A2A01I
- *A-01A2A01J
- *B-01A2A01K
- *C-01A2A01L
- *D-01A2A01M
- *E-01A2A01N
- *F-01A2A01O
- *G-01A2A01P
- *H-01A2A01Q
- *I-01A2A01R
- *J-01A2A01S
- *K-01A2A01T
- *L-01A2A01U
- *M-01A2A01V
- *N-01A2A01W
- *O-01A2A01X
- *P-01A2A01Y
- *Q-01A2A01Z
- *R-01A2A02A
- *S-01A2A02B
- *T-01A2A02C
- *U-01A2A02D
- *V-01A2A02E
- *W-01A2A02F
- *X-01A2A02G
- *Y-01A2A02H
- *Z-01A2A02I
- *AA-01A2A02J
- *AB-01A2A02K
- *AC-01A2A02L
- *AD-01A2A02M
- *AE-01A2A02N
- *AF-01A2A02O
- *AG-01A2A02P
- *AH-01A2A02Q
- *AI-01A2A02R
- *AJ-01A2A02S
- *AK-01A2A02T
- *AL-01A2A02U
- *AM-01A2A02V
- *AN-01A2A02W
- *AO-01A2A02X
- *AP-01A2A02Y
- *AQ-01A2A02Z
- *AR-01A2A03A
- *AS-01A2A03B
- *AT-01A2A03C
- *AU-01A2A03D
- *AV-01A2A03E
- *AW-01A2A03F
- *AX-01A2A03G
- *AY-01A2A03H
- *AZ-01A2A03I
- *BA-01A2A03J
- *BB-01A2A03K
- *BC-01A2A03L
- *BD-01A2A03M
- *BE-01A2A03N
- *BF-01A2A03O
- *BG-01A2A03P
- *BH-01A2A03Q
- *BI-01A2A03R
- *BJ-01A2A03S
- *BK-01A2A03T
- *BL-01A2A03U
- *BM-01A2A03V
- *BN-01A2A03W
- *BO-01A2A03X
- *BP-01A2A03Y
- *BQ-01A2A03Z
- *BR-01A2A04A
- *BS-01A2A04B
- *BT-01A2A04C
- *BU-01A2A04D
- *BV-01A2A04E
- *BW-01A2A04F
- *BX-01A2A04G
- *BY-01A2A04H
- *BZ-01A2A04I
- *CA-01A2A04J
- *CB-01A2A04K
- *CC-01A2A04L
- *CD-01A2A04M
- *CE-01A2A04N
- *CF-01A2A04O
- *CG-01A2A04P
- *CH-01A2A04Q
- *CI-01A2A04R
- *CJ-01A2A04S
- *CK-01A2A04T
- *CL-01A2A04U
- *CM-01A2A04V
- *CN-01A2A04W
- *CO-01A2A04X
- *CP-01A2A04Y
- *CQ-01A2A04Z
- *CR-01A2A05A
- *CS-01A2A05B
- *CT-01A2A05C
- *CU-01A2A05D
- *CV-01A2A05E
- *CW-01A2A05F
- *CX-01A2A05G
- *CY-01A2A05H
- *CZ-01A2A05I
- *DA-01A2A05J
- *DB-01A2A05K
- *DC-01A2A05L
- *DD-01A2A05M
- *DE-01A2A05N
- *DF-01A2A05O
- *DG-01A2A05P
- *DH-01A2A05Q
- *DI-01A2A05R
- *DJ-01A2A05S
- *DK-01A2A05T
- *DL-01A2A05U
- *DM-01A2A05V
- *DN-01A2A05W
- *DO-01A2A05X
- *DP-01A2A05Y
- *DQ-01A2A05Z
- *DR-01A2A06A
- *DS-01A2A06B
- *DT-01A2A06C
- *DU-01A2A06D
- *DV-01A2A06E
- *DW-01A2A06F
- *DX-01A2A06G
- *DY-01A2A06H
- *DZ-01A2A06I
- *EA-01A2A06J
- *EB-01A2A06K
- *EC-01A2A06L
- *ED-01A2A06M
- *EE-01A2A06N
- *EF-01A2A06O
- *EG-01A2A06P
- *EH-01A2A06Q
- *EI-01A2A06R
- *EJ-01A2A06S
- *EK-01A2A06T
- *EL-01A2A06U
- *EM-01A2A06V
- *EN-01A2A06W
- *EO-01A2A06X
- *EP-01A2A06Y
- *EQ-01A2A06Z
- *ER-01A2A07A
- *ES-01A2A07B
- *ET-01A2A07C
- *EU-01A2A07D
- *EV-01A2A07E
- *EW-01A2A07F
- *EX-01A2A07G
- *EY-01A2A07H
- *EZ-01A2A07I
- *FA-01A2A07J
- *FB-01A2A07K
- *FC-01A2A07L
- *FD-01A2A07M
- *FE-01A2A07N
- *FF-01A2A07O
- *FG-01A2A07P
- *FH-01A2A07Q
- *FI-01A2A07R
- *FJ-01A2A07S
- *FK-01A2A07T
- *FL-01A2A07U
- *FM-01A2A07V
- *FN-01A2A07W
- *FO-01A2A07X
- *FP-01A2A07Y
- *FQ-01A2A07Z
- *FR-01A2A08A
- *FS-01A2A08B
- *FT-01A2A08C
- *FU-01A2A08D
- *FV-01A2A08E
- *FW-01A2A08F
- *FX-01A2A08G
- *FY-01A2A08H
- *FZ-01A2A08I
- *GA-01A2A08J
- *GB-01A2A08K
- *GC-01A2A08L
- *GD-01A2A08M
- *GE-01A2A08N
- *GF-01A2A08O
- *GG-01A2A08P
- *GH-01A2A08Q
- *GI-01A2A08R
- *GJ-01A2A08S
- *GK-01A2A08T
- *GL-01A2A08U
- *GM-01A2A08V
- *GN-01A2A08W
- *GO-01A2A08X
- *GP-01A2A08Y
- *GQ-01A2A08Z
- *GR-01A2A09A
- *GS-01A2A09B
- *GT-01A2A09C
- *GU-01A2A09D
- *GV-01A2A09E
- *GW-01A2A09F
- *GX-01A2A09G
- *GY-01A2A09H
- *GZ-01A2A09I
- *HA-01A2A09J
- *HB-01A2A09K
- *HC-01A2A09L
- *HD-01A2A09M
- *HE-01A2A09N
- *HF-01A2A09O
- *HG-01A2A09P
- *HH-01A2A09Q
- *HI-01A2A09R
- *HJ-01A2A09S
- *HK-01A2A09T
- *HL-01A2A09U
- *HM-01A2A09V
- *HN-01A2A09W
- *HO-01A2A09X
- *HP-01A2A09Y
- *HQ-01A2A09Z
- *HR-01A2A10A
- *HS-01A2A10B
- *HT-01A2A10C
- *HU-01A2A10D
- *HV-01A2A10E
- *HW-01A2A10F
- *HX-01A2A10G
- *HY-01A2A10H
- *HZ-01A2A10I
- *IA-01A2A10J
- *IB-01A2A10K
- *IC-01A2A10L
- *ID-01A2A10M
- *IE-01A2A10N
- *IF-01A2A10O
- *IG-01A2A10P
- *IH-01A2A10Q
- *II-01A2A10R
- *IJ-01A2A10S
- *IK-01A2A10T
- *IL-01A2A10U
- *IM-01A2A10V
- *IN-01A2A10W
- *IO-01A2A10X
- *IP-01A2A10Y
- *IQ-01A2A10Z
- *IR-01A2A11A
- *IS-01A2A11B
- *IT-01A2A11C
- *IU-01A2A11D
- *IV-01A2A11E
- *IW-01A2A11F
- *IX-01A2A11G
- *IY-01A2A11H
- *IZ-01A2A11I
- *JA-01A2A11J
- *JB-01A2A11K
- *JC-01A2A11L
- *JD-01A2A11M
- *JE-01A2A11N
- *JF-01A2A11O
- *JG-01A2A11P
- *JH-01A2A11Q
- *JI-01A2A11R
- *JJ-01A2A11S
- *JK-01A2A11T
- *JL-01A2A11U
- *JM-01A2A11V
- *JN-01A2A11W
- *JO-01A2A11X
- *JP-01A2A11Y
- *JQ-01A2A11Z
- *JR-01A2A12A
- *JS-01A2A12B
- *JT-01A2A12C
- *JU-01A2A12D
- *JV-01A2A12E
- *JW-01A2A12F
- *JX-01A2A12G
- *JY-01A2A12H
- *JZ-01A2A12I
- *KA-01A2A12J
- *KB-01A2A12K
- *KC-01A2A12L
- *KD-01A2A12M
- *KE-01A2A12N
- *KF-01A2A12O
- *KG-01A2A12P
- *KH-01A2A12Q
- *KI-01A2A12R
- *KJ-01A2A12S
- *KK-01A2A12T
- *KL-01A2A12U
- *KM-01A2A12V
- *KN-01A2A12W
- *KO-01A2A12X
- *KP-01A2A12Y
- *KQ-01A2A12Z
- *KR-01A2A13A
- *KS-01A2A13B
- *KT-01A2A13C
- *KU-01A2A13D
- *KV-01A2A13E
- *KW-01A2A13F
- *KX-01A2A13G
- *KY-01A2A13H
- *KZ-01A2A13I
- *LA-01A2A13J
- *LB-01A2A13K
- *LC-01A2A13L
- *LD-01A2A13M
- *LE-01A2A13N
- *LF-01A2A13O
- *LG-01A2A13P
- *LH-01A2A13Q
- *LI-01A2A13R
- *LJ-01A2A13S
- *LK-01A2A13T
- *LL-01A2A13U
- *LM-01A2A13V
- *LN-01A2A13W
- *LO-01A2A13X
- *LP-01A2A13Y
- *LQ-01A2A13Z
- *LR-01A2A14A
- *LS-01A2A14B
- *LT-01A2A14C
- *LU-01A2A14D
- *LV-01A2A14E
- *LW-01A2A14F
- *LX-01A2A14G
- *LY-01A2A14H
- *LZ-01A2A14I
- *MA-01A2A14J
- *MB-01A2A14K
- *MC-01A2A14L
- *MD-01A2A14M
- *ME-01A2A14N
- *MF-01A2A14O
- *MG-01A2A14P
- *MH-01A2A14Q
- *MI-01A2A14R
- *MJ-01A2A14S
- *MK-01A2A14T
- *ML-01A2A14U
- *MM-01A2A14V
- *MN-01A2A14W
- *MO-01A2A14X
- *MP-01A2A14Y
- *MQ-01A2A14Z
- *MR-01A2A15A
- *MS-01A2A15B
- *MT-01A2A15C
- *MU-01A2A15D
- *MV-01A2A15E
- *MW-01A2A15F
- *MX-01A2A15G
- *MY-01A2A15H
- *MZ-01A2A15I
- *NA-01A2A15J
- *NB-01A2A15K
- *NC-01A2A15L
- *ND-01A2A15M
- *NE-01A2A15N
- *NF-01A2A15O
- *NG-01A2A15P
- *NH-01A2A15Q
- *NI-01A2A15R
- *NJ-01A2A15S
- *NK-01A2A15T
- *NL-01A2A15U
- *NM-01A2A15V
- *NN-01A2A15W
- *NO-01A2A15X
- *NP-01A2A15Y
- *NQ-01A2A15Z
- *NR-01A2A16A
- *NS-01A2A16B
- *NT-01A2A16C
- *NU-01A2A16D
- *NV-01A2A16E
- *NW-01A2A16F
- *NX-01A2A16G
- *NY-01A2A16H
- *NZ-01A2A16I
- *OA-01A2A16J
- *OB-01A2A16K
- *OC-01A2A16L
- *OD-01A2A16M
- *OE-01A2A16N
- *OF-01A2A16O
- *OG-01A2A16P
- *OH-01A2A16Q
- *OI-01A2A16R
- *OJ-01A2A16S
- *OK-01A2A16T
- *OL-01A2A16U
- *OM-01A2A16V
- *ON-01A2A16W
- *OO-01A2A16X
- *OP-01A2A16Y
- *OQ-01A2A16Z
- *OR-01A2A17A
- *OS-01A2A17B
- *OT-01A2A17C
- *OU-01A2A17D
- *OV-01A2A17E
- *OW-01A2A17F
- *OX-01A2A17G
- *OY-01A2A17H
- *OZ-01A2A17I
- *PA-01A2A17J
- *PB-01A2A17K
- *PC-01A2A17L
- *PD-01A2A17M
- *PE-01A2A17N
- *PF-01A2A17O
- *PG-01A2A17P
- *PH-01A2A17Q
- *PI-01A2A17R
- *PJ-01A2A17S
- *PK-01A2A17T
- *PL-01A2A17U
- *PM-01A2A17V
- *PN-01A2A17W
- *PO-01A2A17X
- *PP-01A2A17Y
- *PQ-01A2A17Z
- *PR-01A2A18A
- *PS-01A2A18B
- *PT-01A2A18C
- *PU-01A2A18D
- *PV-01A2A18E
- *PW-01A2A18F
- *PX-01A2A18G
- *PY-01A2A18H
- *PZ-01A2A18I
- *QA-01A2A18J
- *QB-01A2A18K
- *QC-01A2A18L
- *QD-01A2A18M
- *QE-01A2A18N
- *QF-01A2A18O
- *QG-01A2A18P
- *QH-01A2A18Q
- *QI-01A2A18R
- *QJ-01A2A18S
- *QK-01A2A18T
- *QL-01A2A18U
- *QM-01A2A18V
- *QN-01A2A18W
- *QO-01A2A18X
- *QP-01A2A18Y
- *QQ-01A2A18Z
- *QR-01A2A19A
- *QS-01A2A19B
- *QT-01A2A19C
- *QU-01A2A19D
- *QV-01A2A19E
- *QW-01A2A19F
- *QX-01A2A19G
- *QY-01A2A19H
- *QZ-01A2A19I
- *RA-01A2A19J
- *RB-01A2A19K
- *RC-01A2A19L
- *RD-01A2A19M
- *RE-01A2A19N
- *RF-01A2A19O
- *RG-01A2A19P
- *RH-01A2A19Q
- *RI-01A2A19R
- *RJ-01A2A19S
- *RK-01A2A19T
- *RL-01A2A19U
- *RM-01A2A19V
- *RN-01A2A19W
- *RO-01A2A19X
- *RP-01A2A19Y

A 5.4.62
TA 1233B

B 16.4.63
TA 1815A



- | | | | | | |
|-------------|-------------|-------------|-------------|-------------|-------------|
| *1-01A2A24P | *2-01A2A23A | *3-01A2A02H | 01ABC26H | *4-01A2A11C | 01B2F03C |
| *5-01A2A11A | 01B2F01A | *6-01A2A10B | 01A7E25B | *7-01A2A15M | 01B2F04H |
| *8-01A2A11B | 01B2F03B | *9-01A2A15R | 01B2C04R | *A-01A2A02F | 01A8C26F |
| *B-01A2A11G | 01B2F04G | *C-01A2A14L | 02A9F09A | 02B7D02L | 02B7C02K |
| *D-01A2A20K | 01A2A02D | *H-01A2A106 | 01A7E25G | 01A7E25G | *F-01A2A23K |
| *6-01A2A19R | 01A2A03A | *M-01A2A07D | 01A6D26D | *L-01A6F23K | 02A9A15F |
| 02B1E02F | *J-01A2A13E | 01B2F04E | 01A2A23C | *M-01A2A16K | 01B3F02K |
| *1B3F03K | *K-01A2A09E | 02A2R24K | 01B2F03K | *N-01A2A11K | 01B2F03K |
| *N-01A2A14H | 02A9F03A | 02B7D02H | 01B2F03O | *P-01A2A13H | 01B2F04H |
| *O-01A2A23E | *R-01A2A07E | 01A6D26E | *S-01A2A13F | 01B2F04F | *T-01A2A11O |
| *0-01A2A23F | | | | | |

COMMENTS

TAG DATE	E.C.NO.	TAG DATE	E.C.NO.	TAG DATE	E.C.NO.	TAG DATE	E.C.NO.
A 12-15-61	113530	B 01-22-63	116177A				

726707

0728708

SWITCH MODE II

1401 BA

37.30.12.2

TAG DATE

D 7.12.63

TA 1864

E 16.4.65

TA 1815A

-T STORAGE
SCAN
37.30.11.2

-T STORAGE
SCAN
31.17.01.2
-T STORAGE
SCAN
31.07.11.2
-T STORAGE
SCAN
32.04.51.2
-T STORAGE
SCAN
37.31.11.2

+U NOT STORAGE
SCAN
37.30.11.2

+U NOT STORAGE
SCAN
31.35.11.2
+U NOT STORAGE
SCAN
34.16.11.2

-6 VOLTS
00.00.00.2 ->1

-6 VOLTS
37.30.22.2

-6 VOLTS
00.00.00.2 ->2

-6 VOLTS
37.30.21.2

-6 VOLTS
00.00.00.2 ->3

-6 VOLTS
37.18.11.2

-6 VOLTS
37.31.11.2

-6 VOLTS
37.30.31.2

-6 VOLTS
31.01.01.2

+U STORAGE
SCAN
37.30.11.2

+U STORAGE
SCAN
32.02.11.2
+U STORAGE
SCAN
31.03.31.2

+6 VOLTS CK3
00.00.00.2 ->4

+6 VOLTS CK3
37.30.51.2

+6 VOLTS CK1
00.00.00.2 ->5

+6 VOLTS CK1
37.31.11.2

+6 VOLTS CK2
00.00.00.2 ->6

+6 VOLTS CK3
37.11.11.2

+6 VOLTS CK4
37.30.31.2

+6 VOLTS CK4
00.00.00.2 ->7

+6 VOLTS CK4
37.30.11.2

+6 VOLTS CK4
37.18.11.2

+6 VOLTS CK4
37.30.22.2

-T STORAGE
PRINT OUT
37.30.11.2

-T STORAGE
PRINT OUT
31.01.01.2
-T STORAGE
PRINT OUT
32.31.01.2
-T STORAGE
PRINT OUT
31.04.11.2
-T STORAGE
PRINT OUT
32.33.31.2
-T STORAGE
PRINT OUT
37.31.11.2
-T STORAGE
PRINT OUT
37.30.28.2

-12 VOLTS
00.00.00.2 ->8

-12 VOLTS
37.10.11.2

-12 VOLTS
00.00.00.2 ->9

-12 VOLTS
37.30.31.2

-12 VOLTS
37.30.11.2

-12 VOLTS
77.01.01.2

GROUND
00.00.00.2 ->A

GROUND
37.30.31.2

GROUND
77.01.01.2

GROUND
00.00.00.2 ->B

GROUND
37.31.11.2

GROUND
00.00.00.2 ->C

GROUND
37.18.11.2

GROUND
37.30.11.2

(SEE NOTE)

-12 VOLTS
00.00.00.2 ->D

-12 VOLTS
31.31.11.2

-T BLOCK OF
CHECK
77.10.11.2 ->E

-7 BLOCK OF
CHECK
35.20.31.2

-T TIME 000-030
31.12.12.2 ->F

-T TIME 000-030
31.07.11.2

+U NOT PCH SCN
COMP DISPL
74.21.01.2 ->G

+U I-O ERROR
DISPLAY
34.33.13.2 ->H

+U OVLP ERROR
DISPLAY
74.21.21.2 ->J

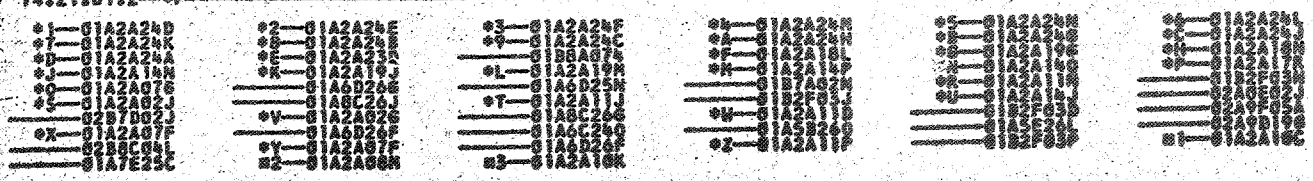
+U NOT RD SCN
COMP DISPL
74.21.01.2 ->K

+U N-P OVLP
MODE DISPL
74.21.01.2 ->L

+U OVERLAP
LIGHT A
74.21.21.2 ->M

+U OVERLAP
LIGHT C
74.21.21.2 ->N

+U T-I-O OVLP
MODE DISPL
74.21.01.2 ->P



Note: CONNECTION MAY BE:

- GROUND 37.40.11.2
- GROUND 37.30.44.2
- GROUND 37.30.34.2
- GROUND 77.04.01.2

- GROUND 37.34.44.2

- *1-01A2A2ND
- *2-01A2A2NE
- *3-01A2A2NF
- *4-01A2A2NH
- *5-01A2A2NI
- *6-01A2A2NJ
- *7-01A2A2NK
- *8-01A2A2NL
- *9-01A2A2NM
- *0-01A2A2NN
- *1-01A2A2NO
- *2-01A2A2NP
- *3-01A2A2NQ
- *4-01A2A2NR
- *5-01A2A2NS
- *6-01A2A2NT
- *7-01A2A2NU
- *8-01A2A2NV
- *9-01A2A2NWX
- *0-01A2A2NXX
- *1-01A2A2NY
- *2-01A2A2NZ
- *3-01A2A201
- *4-01A2A202
- *5-01A2A203
- *6-01A2A204
- *7-01A2A205
- *8-01A2A206
- *9-01A2A207
- *0-01A2A208
- *1-01A2A209
- *2-01A2A210
- *3-01A2A211
- *4-01A2A212
- *5-01A2A213
- *6-01A2A214
- *7-01A2A215
- *8-01A2A216
- *9-01A2A217
- *0-01A2A218
- *1-01A2A219
- *2-01A2A220
- *3-01A2A221
- *4-01A2A222
- *5-01A2A223
- *6-01A2A224
- *7-01A2A225
- *8-01A2A226
- *9-01A2A227
- *0-01A2A228
- *1-01A2A229
- *2-01A2A230
- *3-01A2A231
- *4-01A2A232
- *5-01A2A233
- *6-01A2A234
- *7-01A2A235
- *8-01A2A236
- *9-01A2A237
- *0-01A2A238
- *1-01A2A239
- *2-01A2A240
- *3-01A2A241
- *4-01A2A242
- *5-01A2A243
- *6-01A2A244
- *7-01A2A245
- *8-01A2A246
- *9-01A2A247
- *0-01A2A248
- *1-01A2A249
- *2-01A2A250
- *3-01A2A251
- *4-01A2A252
- *5-01A2A253
- *6-01A2A254
- *7-01A2A255
- *8-01A2A256
- *9-01A2A257
- *0-01A2A258
- *1-01A2A259
- *2-01A2A260
- *3-01A2A261
- *4-01A2A262
- *5-01A2A263
- *6-01A2A264
- *7-01A2A265
- *8-01A2A266
- *9-01A2A267
- *0-01A2A268
- *1-01A2A269
- *2-01A2A270
- *3-01A2A271
- *4-01A2A272
- *5-01A2A273
- *6-01A2A274
- *7-01A2A275
- *8-01A2A276
- *9-01A2A277
- *0-01A2A278
- *1-01A2A279
- *2-01A2A280
- *3-01A2A281
- *4-01A2A282
- *5-01A2A283
- *6-01A2A284
- *7-01A2A285
- *8-01A2A286
- *9-01A2A287
- *0-01A2A288
- *1-01A2A289
- *2-01A2A290
- *3-01A2A291
- *4-01A2A292
- *5-01A2A293
- *6-01A2A294
- *7-01A2A295
- *8-01A2A296
- *9-01A2A297
- *0-01A2A298
- *1-01A2A299
- *2-01A2A300

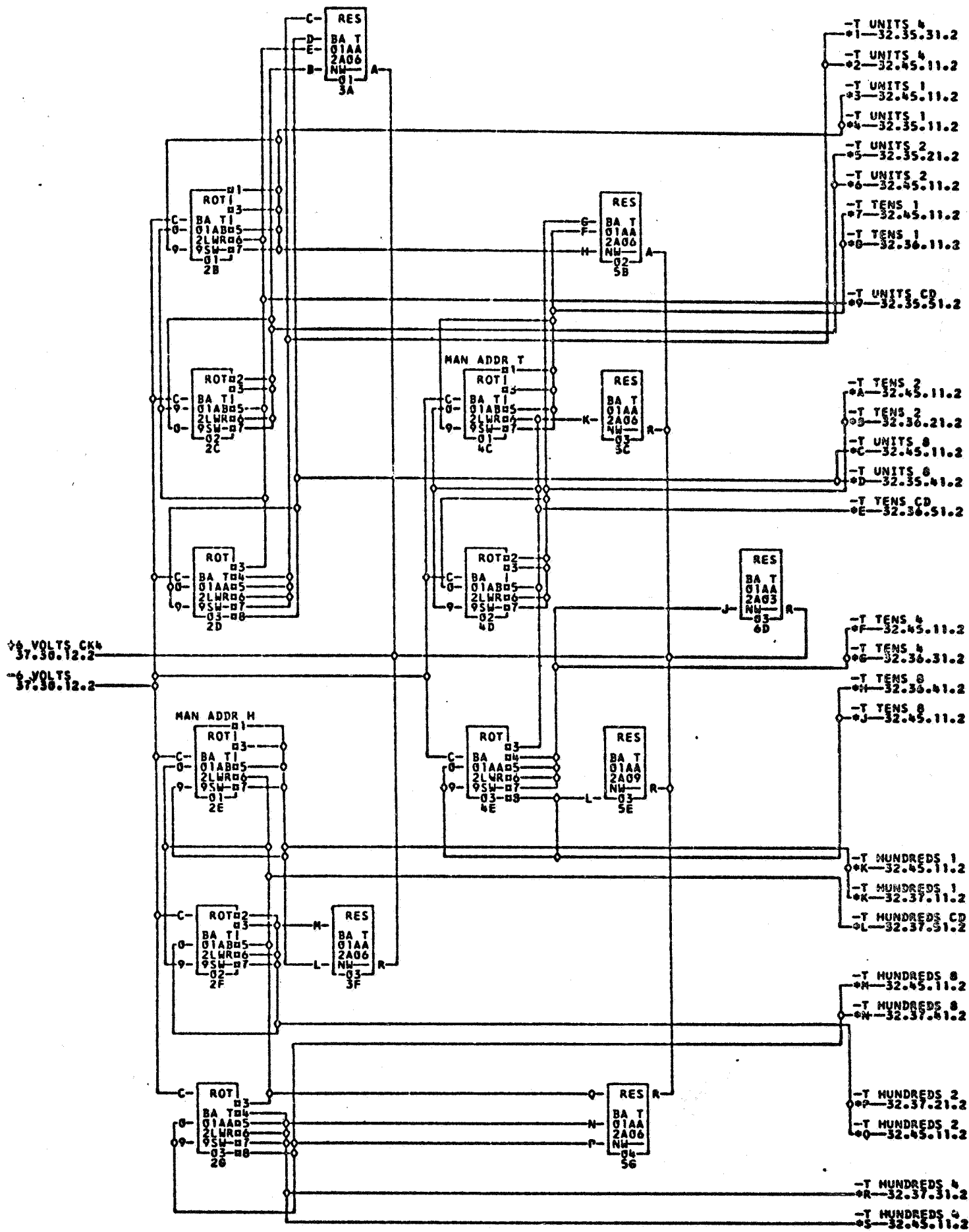
COMMENTS

TAG DATE FIG NO. TAG DATE FIG NO. TAG DATE FIG NO. TAG DATE FIG NO.

728708

A 5.4.62
TA 1233B

B 16.4.63
TA 1815A



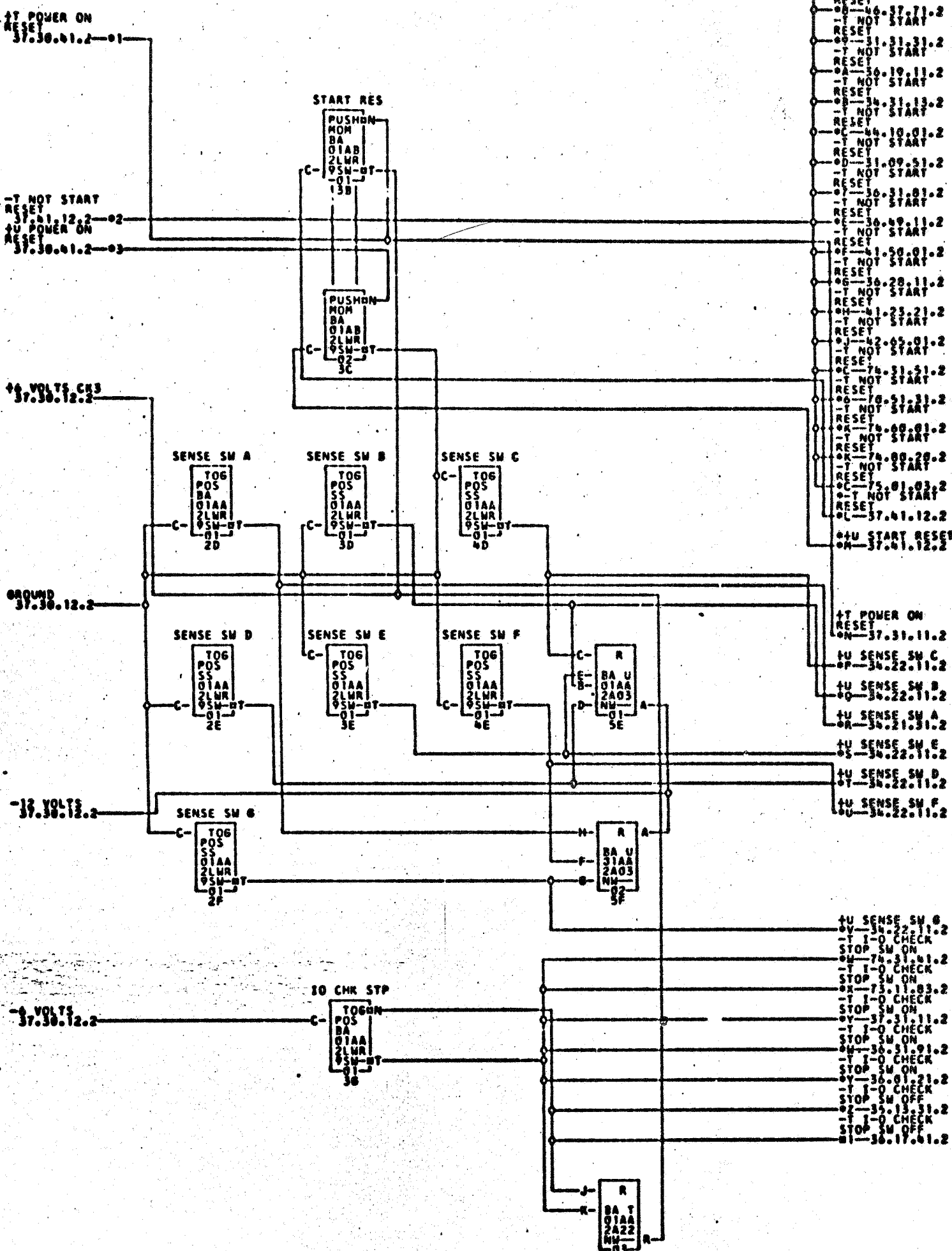
- | | | | | | |
|-------------|-------------|-------------|-------------|-------------|----------|
| *1-01A2A05C | 01A7E26C | *2-01A2A05C | 01A8F25C | *3-01A2A05A | 01A8F25A |
| *4-01A2A05A | 01A7E26A | *5-01A2A05B | 01A7E26B | *6-01A2A05B | 01A8F25B |
| *7-01A2A05F | 01A8F25F | *8-01A2A05F | 01A7E26F | *9-01A2A05E | 01A8F25E |
| *A-01A2A05G | 01A7E26G | *B-01A2A05G | 01A7E26G | *C-01A2A05D | 01A8F25D |
| *D-01A2A05D | 01A7E26D | *E-01A2A05H | 01A7E26H | *F-01A2A05H | 01A8F25H |
| *E-01A2A05M | 01A7E26M | *H-01A2A05J | 01A7E26J | *J-01A2A05J | 01A8F25J |
| *K-01A2A05L | 01A8F25L | *L-01A2A05K | 01A7E26K | *M-01A2A05K | 01A8F25K |
| *L-01A8F25P | 01A7E26P | *N-01A2A05L | *P-01A7A05M | *O-01A2A05P | 01A8F25P |
| *M-01A8F25M | *R-01A2A05N | *O-01A7E26N | *S-01A2A05N | *Q-01A2A05M | |

COMMENTS

TAG DATE	E.C.NO.	TAG DATE	E.C.NO.	TAG DATE	E.C.NO.	TAG DATE	E.C.NO.
A 12-15-61	113530	B 01-22-63	114177A				

728709

D 7.12.62
TA 1664
E 10.4.63
TA 1815A



01-01A2A17J	02-01A2A23M	03-01A2A17K	04-01A2A17K	05-01A3E26K	06-01A2A14K
07-01A2A07C	05-01A2A23M	06-01A2A18J	07-01A2A18J	08-01B3F02J	08-01B3A03M
0A-01A6C24B	06-01A6D26C	07-01B5A246	08-01B1A01L	09-01B1A02L	09-01A6D26C
0B-01A2A19H	07-01A5D24B	08-01B1A01L	09-01B1A01L	0A-01A2A146	0A-01B6D01L
0C-02B7D02G	08-01B4A03M	09-01A2A09L	0A-01B1A01L	0B-01B2F03H	0B-02A9F01A
0D-02A0E05E	09-02B1C02P	0A-02A09L	0B-01A2A11M	0C-01A2A18J	0C-01B2A02R
0E-01B3A03M	0A-02B6A02R	0B-02A09L	0C-01A2A11M	0D-01A6D26C	0D-01B3F02J
0H-01A2A07C	0B-01A6D26C	0C-01A2A07F	0D-01A6D26C	0E-01B7A02F	0E-01B7A02F
0I-02B8E01N	0C-01A2A11M	0D-01A2A07F	0F-01B7A02F	0F-01B7D01B	0F-02A9C17L
0L-01B1A01L	0D-01B1D030	0E-01A6D25F	0G-01A2A180	0G-01A2A180	0G-01A2A08L
0M-01B8RC26	0E-01B8RC26	0F-01B2F03M	0H-01A2A180	0H-01A2A04C	0H-02B8C04P
0N-01B6A02B	0F-01A2A04A	0G-01A2A180	0I-01B6A02A	0I-01A2A04C	0I-01A2A04B
0O-01B6A02B	0G-01A2A04F	0J-01B6A02F	0J-01B6A02F	0J-01B6A02E	0J-01A2A04D
0P-01A6F23J	0H-01A6F23J	0K-02A9A13F	0K-02A9A13F	0K-01A2A07K	0K-01A6D25K
0Q-01A6F24J	0I-01B6C03J	0L-01A2A19A	0L-01A2A19A	0L-01A2A19P	0L-01B4A03P
0R-01A6D26L	0J-01A6D26L	0M-01A6D25E	0M-01A6D25E	0M-01A2A11F	0M-01B2F03F
0S-01B2D03M	0K-01A3D24N	0N-01A3C26E	0N-01A3C26E	0N-01A2A14K	0N-02A9F07A
0T-02B7D02K	0L-02A2B24J	0O-01A2A14K	0O-01A2A14K	0O-01B7E03R	

NOTE: WHEN A SIGNAL IS PRECEDED BY AN ASTERISK, ITS EXPANSION INDICATES CABLE WIRING FOR REMOTE RECYCLE CONTROL INSTALLATION

COMMENTS

TAG DATE E.C.NO. TAG DATE E.C.NO. TAG DATE E.C.NO. TAG DATE E.C.NO.

A 12-15-61 113530 B 03-23-62 114130 C 05-03-62 115101 D 09-20-62 116100

E 01-22-63 116177A

728711

3728712

FEED THRU SHEET

1401 BA 37.30.41.2

TAG DATE

C 10.5.62
TA1233G

D 16.4.63
TA1815A

IT POWER ON
RESET
30.11.21.2 *1

IT POWER ON
RESET
37.30.31.2
IT POWER ON
RESET
74.11.01.2

IT POWER ON
RESET
38.11.21.2 *2

IT POWER ON
RESET
37.30.31.2

IT INO TURN OFF
DELTA PROCESS
32.45.31.2 *3

IT INO TURN OFF
DELTA PROCESS
77.30.51.2

IT ADDR X63
74.66.01.2 *4

IT ADDR X63
74.61.11.2

*1-01A2A17L
01A3A22H
01B4A03K

*2-01A2A17M
02A0A11F
01B4E04R

*3-01A2A10R
02B1B01H
02A7A11B

*4-01A2A10D
*6-01A2A17K
02B8D03R

*5-01A2A17J
*7-01A2A25Q

*8-01A3E20J
01A2A19K

COMMENTS
*1 *2 *3 REFER TO DWG. 480614

TAG DATE E.C.NO.
A 12-15-61 113530

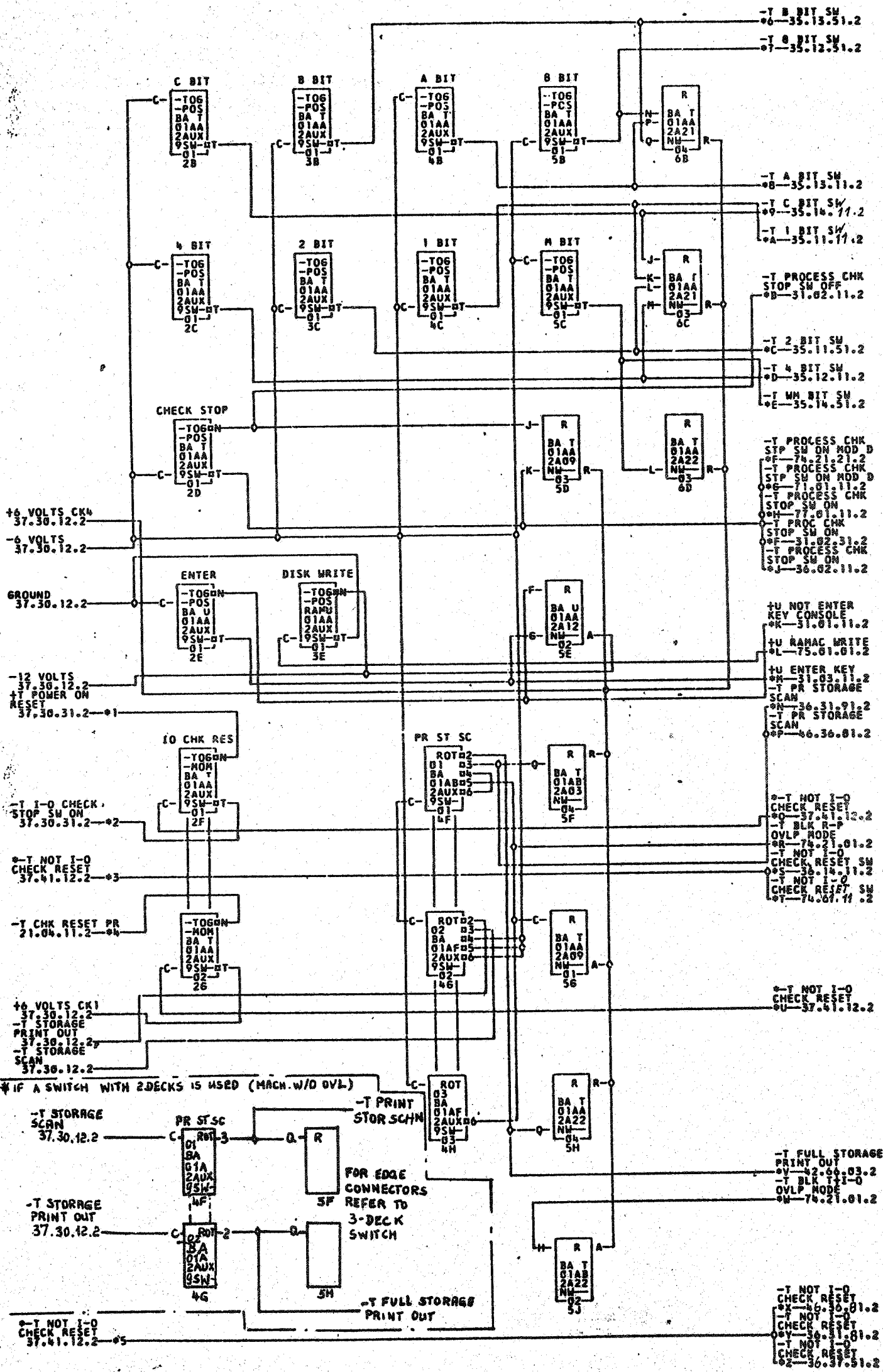
TAG DATE E.C.NO.
B 02-12-62 114242

TAG DATE E.C.NO.
C 03-23-62 114130

TAG DATE E.C.NO.
D 01-22-63 116177A

1815 A

728712



COMMENTS
 PR ST SCN SW UP IS PRESENT ONLY FOR
 PRINT STORAGE OPTION
 WHEN A SIGNAL IS PRECEDED BY AN
 ASTERISK (*) ITS EXPANSION INDICATES CABLE
 WIRING FOR REMOTE RECYCLE CONT. INST.

TAG DATE	FIG NO.	TAG DATE	FIG NO.	TAG DATE	FIG NO.
A 12-15-61	113530	F 01-22-62	113677A	C 04-04-62	116193
F 09-20-62	113680			D 05-09-62	116199

1815A 728713 / 17

0728713

SWITCHES AND INDICATORS CONSOLE

1401 BA

37, 31, 11, 2, 2
sheet 2 of 2

TAG DATE

E 8.2.63
TA 18840B

F 16.4.63
TA 1815A

*1 01A2A18R
 *2 01A2A22K
 *3 01A2A19B
 *4 01A2A07R
 *5 01A2A07A
 *6 01A2A17F
 *7 01A2A17E
 *8 01A2A17G
 *9 01A2A17A
 *A 01A2A15J
 *B 01A2A17B
 *C 01A2A17C
 *D 01A2A17M
 *E 01A2A13L
 *F 01A2A23N
 *G 01A2A23M
 *H 01A2A190
 *I 01A2A13B
 *J 01A2A19R
 *K 01A2A13C
 *L 01A2A07H
 *M 01A2A07H
 *N 01B8RC30
 *O 01A2A00N
 *P 01A2A19B
 *Q 01A2A19B
 *R 01B8RC32
 *S 01A2A02H
 *T 01A2A02H
 *U 01A2A02H
 *V 01A2A02H
 *W 01A2A02H
 *X 01A2A02H
 *Y 01A2A02H
 *Z 01A2A02H

01B8RC31
 01B8RC33
 01A3E26F
 01A3E26E
 01A3E26E
 01A3E26E
 01A3E26A
 01B7F04J
 01A3E26B
 01A3E26C
 01A3E26H
 01B7F04E
 01B7D01E
 02A8C260
 01B4A030
 01B2F04B
 02A8E05A
 01B2F04C
 01A6D26H
 01A6D26H
 01B1A01N
 01B4A03B
 01B4A03B
 01A8C26N
 01A6D26H
 01A6D26A
 01A6D26A
 01A6D26A
 01A6D26A

01B2A05P

02A8A19C

02B1E01P

02A8E23J

01A5B24G

02B1B03H

01A6C240

02A0F10A

02B0D03F

01B1A03L

02A9A11A

02B1B03K

01B4E04F

01A8B25E

02B1B03K

01A8C26N

02A0E20B

02B1B03K

01B1C03F

01A3B24E

02B1B03K

01A6C24E

01A3B24E

02B1B03K

01A6B25F

01B9A24F

B26G

B26E

COMMENTS
 - *9 TO *C RETURN TO -12 V AT 01A2A24C
 PRINT STORAGE OPTION
 WHEN A SIGNAL IS PRECEDED BY AN
 ASTERISK, ITS EXPANSION INDICATES CABLE
 WIRING FOR REMOTE RECYCLE CONT. INST.

TAG DATE	FIG NO.	TAG DATE	FIG NO.	TAG DATE	FIG NO.	TAG DATE	FIG NO.
A 12-15-61	115538	F 01-22-63	115979	E 04-04-62	116193	G 02-03-62	116189
E 04-28-62	116188						

728713/12

0728714

C E PANEL SYNC POINTS

1401 BA

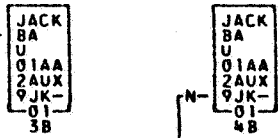
37.31.21.2

TAG DATE

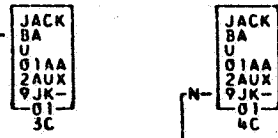
B 2.7.62
TA 1370A

C 16.4.63
RTA 1815A

+U DELTA OVRLAP
CYCLE
74.31.21.2-01



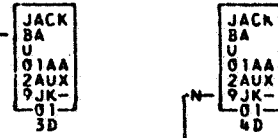
+U PROCESS
CHECK
31.09.11.2-02



+U ADDR STOP
COMP SYNC
32.45.31.2-03

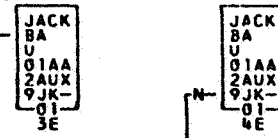
+U START LAT
31.01.11.2-04

+U TIME 000-030
31.12.51.2-05



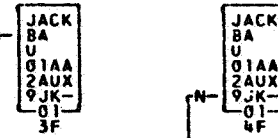
+U GATED READ
SCAN
36.11.11.2-06

+U GATED PUNCH
SCAN
36.22.11.2-07



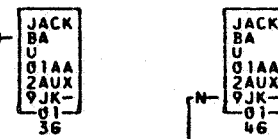
+U READ FEED TR
36.10.11.2-08

+U PUNCH FEED
TR
36.24.11.2-09



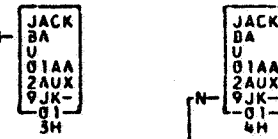
+U NOT FIRST
SCAN
36.35.11.2-0A

+U NOT PR XFER
COMP
36.31.51.2-0B



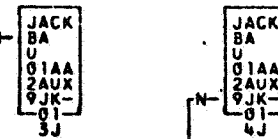
-T STOP CLOCK
0E-31.10.11.2

+U DELTA
PROCESS
36.31.51.2-0C



+U IN 1
0F-32.41.31.2

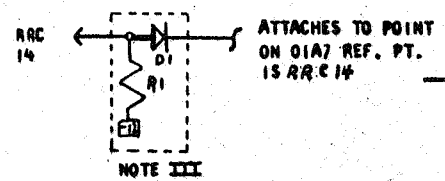
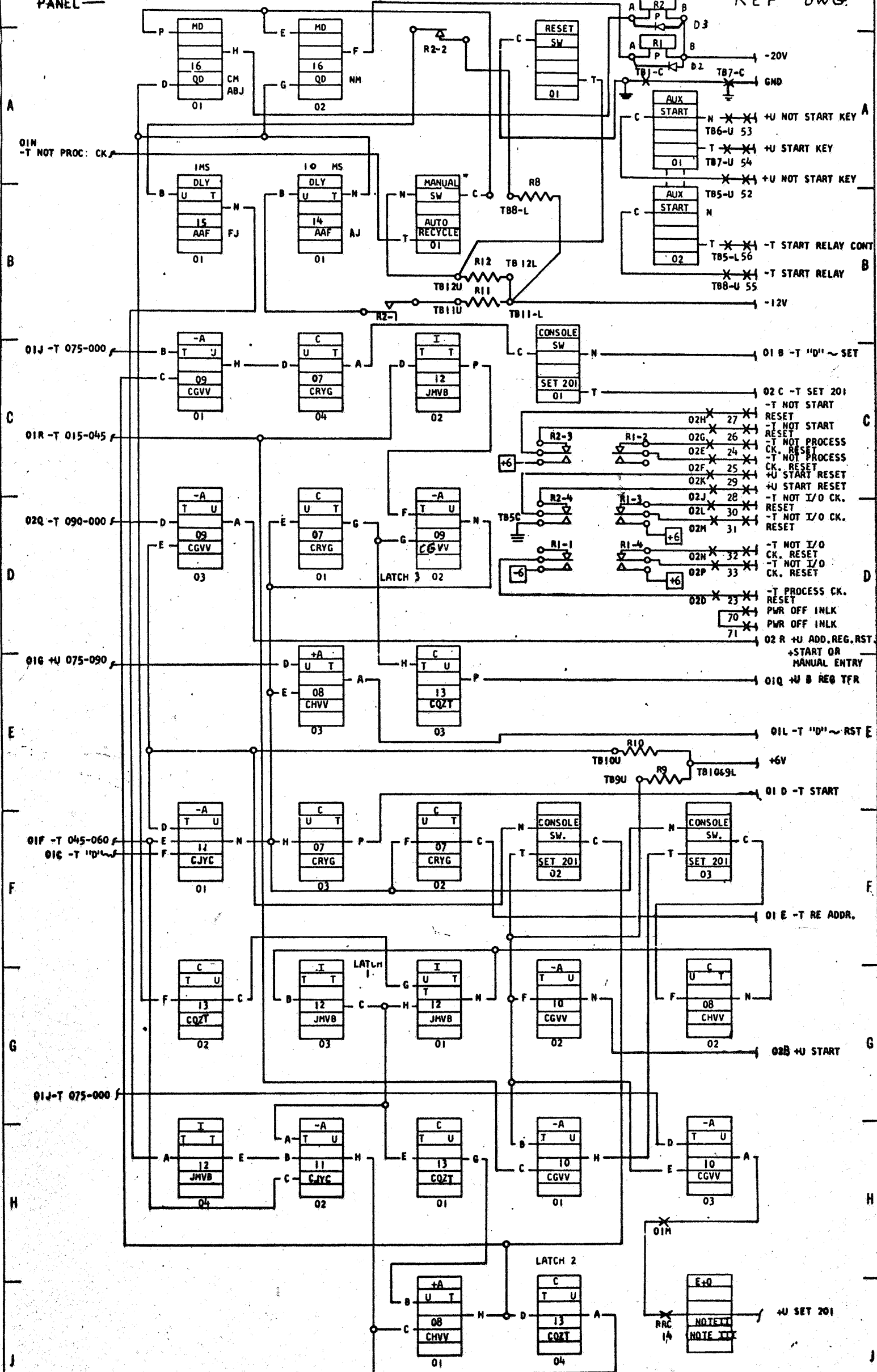
-T OUT
32.41.31.2-0D



+U IN 2
0G-32.41.31.2

- *1-01A2A07R
- *2-01A2A17Q
- *3-01A2A10L
- *4-01A2A11R
- *5-01A2A08P
- *6-01A2A19D
- *7-01A2A19E
- *8-01A2A19F
- *9-01A2A19N
- *A-01A2A07P
- *B-01A2A07N
- *C-01A2A07O
- *D-01A2A10E
- *E-01A2A18M
- *F-01A2A02A
- *G-01A2A02A
- *H-01A2A02A
- *I-01A2A02A
- *J-01A2A02A
- *K-01A2A02A
- *L-01A2A02A
- *M-01A2A02A
- *N-01A2A02A
- *O-01A2A02A
- *P-01A2A02A
- *Q-01A2A02A
- *R-01A2A02A
- *S-01A2A02A
- *T-01A2A02A
- *U-01A2A02A
- *V-01A2A02A
- *W-01A2A02A
- *X-01A2A02A
- *Y-01A2A02A
- *Z-01A2A02A
- *AA-01A2A02A
- *AB-01A2A02A
- *AC-01A2A02A
- *AD-01A2A02A
- *AE-01A2A02A
- *AF-01A2A02A
- *AG-01A2A02A
- *AH-01A2A02A
- *AI-01A2A02A
- *AJ-01A2A02A
- *AK-01A2A02A
- *AL-01A2A02A
- *AM-01A2A02A
- *AN-01A2A02A
- *AO-01A2A02A
- *AP-01A2A02A
- *AQ-01A2A02A
- *AR-01A2A02A
- *AS-01A2A02A
- *AT-01A2A02A
- *AU-01A2A02A
- *AV-01A2A02A
- *AW-01A2A02A
- *AX-01A2A02A
- *AY-01A2A02A
- *AZ-01A2A02A
- *BA-01A2A02A
- *BB-01A2A02A
- *BC-01A2A02A
- *BD-01A2A02A
- *BE-01A2A02A
- *BF-01A2A02A
- *BG-01A2A02A
- *BH-01A2A02A
- *BI-01A2A02A
- *BJ-01A2A02A
- *BK-01A2A02A
- *BL-01A2A02A
- *BM-01A2A02A
- *BN-01A2A02A
- *BO-01A2A02A
- *BP-01A2A02A
- *BQ-01A2A02A
- *BR-01A2A02A
- *BS-01A2A02A
- *BT-01A2A02A
- *BU-01A2A02A
- *BV-01A2A02A
- *BW-01A2A02A
- *BX-01A2A02A
- *BY-01A2A02A
- *BZ-01A2A02A
- *CA-01A2A02A
- *CB-01A2A02A
- *CC-01A2A02A
- *CD-01A2A02A
- *CE-01A2A02A
- *CF-01A2A02A
- *CG-01A2A02A
- *CH-01A2A02A
- *CI-01A2A02A
- *CJ-01A2A02A
- *CK-01A2A02A
- *CL-01A2A02A
- *CM-01A2A02A
- *CN-01A2A02A
- *CO-01A2A02A
- *CP-01A2A02A
- *CQ-01A2A02A
- *CR-01A2A02A
- *CS-01A2A02A
- *CT-01A2A02A
- *CU-01A2A02A
- *CV-01A2A02A
- *CW-01A2A02A
- *CX-01A2A02A
- *CY-01A2A02A
- *CZ-01A2A02A
- *DA-01A2A02A
- *DB-01A2A02A
- *DC-01A2A02A
- *DD-01A2A02A
- *DE-01A2A02A
- *DF-01A2A02A
- *DG-01A2A02A
- *DH-01A2A02A
- *DI-01A2A02A
- *DJ-01A2A02A
- *DK-01A2A02A
- *DL-01A2A02A
- *DM-01A2A02A
- *DN-01A2A02A
- *DO-01A2A02A
- *DP-01A2A02A
- *DQ-01A2A02A
- *DR-01A2A02A
- *DS-01A2A02A
- *DT-01A2A02A
- *DU-01A2A02A
- *DV-01A2A02A
- *DW-01A2A02A
- *DX-01A2A02A
- *DY-01A2A02A
- *DZ-01A2A02A
- *EA-01A2A02A
- *EB-01A2A02A
- *EC-01A2A02A
- *ED-01A2A02A
- *EE-01A2A02A
- *EF-01A2A02A
- *EG-01A2A02A
- *EH-01A2A02A
- *EI-01A2A02A
- *EJ-01A2A02A
- *EK-01A2A02A
- *EL-01A2A02A
- *EM-01A2A02A
- *EN-01A2A02A
- *EO-01A2A02A
- *EP-01A2A02A
- *EQ-01A2A02A
- *ER-01A2A02A
- *ES-01A2A02A
- *ET-01A2A02A
- *EU-01A2A02A
- *EV-01A2A02A
- *EW-01A2A02A
- *EX-01A2A02A
- *EY-01A2A02A
- *EZ-01A2A02A
- *FA-01A2A02A
- *FB-01A2A02A
- *FC-01A2A02A
- *FD-01A2A02A
- *FE-01A2A02A
- *FF-01A2A02A
- *FG-01A2A02A
- *FH-01A2A02A
- *FI-01A2A02A
- *FJ-01A2A02A
- *FK-01A2A02A
- *FL-01A2A02A
- *FM-01A2A02A
- *FN-01A2A02A
- *FO-01A2A02A
- *FP-01A2A02A
- *FQ-01A2A02A
- *FR-01A2A02A
- *FS-01A2A02A
- *FT-01A2A02A
- *FU-01A2A02A
- *FV-01A2A02A
- *FW-01A2A02A
- *FX-01A2A02A
- *FY-01A2A02A
- *FZ-01A2A02A
- *GA-01A2A02A
- *GB-01A2A02A
- *GC-01A2A02A
- *GD-01A2A02A
- *GE-01A2A02A
- *GF-01A2A02A
- *GG-01A2A02A
- *GH-01A2A02A
- *GI-01A2A02A
- *GJ-01A2A02A
- *GK-01A2A02A
- *GL-01A2A02A
- *GM-01A2A02A
- *GN-01A2A02A
- *GO-01A2A02A
- *GP-01A2A02A
- *GQ-01A2A02A
- *GR-01A2A02A
- *GS-01A2A02A
- *GT-01A2A02A
- *GU-01A2A02A
- *GV-01A2A02A
- *GW-01A2A02A
- *GX-01A2A02A
- *GY-01A2A02A
- *GZ-01A2A02A
- *HA-01A2A02A
- *HB-01A2A02A
- *HC-01A2A02A
- *HD-01A2A02A
- *HE-01A2A02A
- *HF-01A2A02A
- *HG-01A2A02A
- *HH-01A2A02A
- *HI-01A2A02A
- *HJ-01A2A02A
- *HK-01A2A02A
- *HL-01A2A02A
- *HM-01A2A02A
- *HN-01A2A02A
- *HO-01A2A02A
- *HP-01A2A02A
- *HQ-01A2A02A
- *HR-01A2A02A
- *HS-01A2A02A
- *HT-01A2A02A
- *HU-01A2A02A
- *HV-01A2A02A
- *HW-01A2A02A
- *HX-01A2A02A
- *HY-01A2A02A
- *HZ-01A2A02A
- *IA-01A2A02A
- *IB-01A2A02A
- *IC-01A2A02A
- *ID-01A2A02A
- *IE-01A2A02A
- *IF-01A2A02A
- *IG-01A2A02A
- *IH-01A2A02A
- *II-01A2A02A
- *IJ-01A2A02A
- *IK-01A2A02A
- *IL-01A2A02A
- *IM-01A2A02A
- *IN-01A2A02A
- *IO-01A2A02A
- *IP-01A2A02A
- *IQ-01A2A02A
- *IR-01A2A02A
- *IS-01A2A02A
- *IT-01A2A02A
- *IU-01A2A02A
- *IV-01A2A02A
- *IW-01A2A02A
- *IX-01A2A02A
- *IY-01A2A02A
- *IZ-01A2A02A
- *JA-01A2A02A
- *JB-01A2A02A
- *JC-01A2A02A
- *JD-01A2A02A
- *JE-01A2A02A
- *JF-01A2A02A
- *JG-01A2A02A
- *JH-01A2A02A
- *JI-01A2A02A
- *JJ-01A2A02A
- *JK-01A2A02A
- *JL-01A2A02A
- *JM-01A2A02A
- *JN-01A2A02A
- *JO-01A2A02A
- *JP-01A2A02A
- *JQ-01A2A02A
- *JR-01A2A02A
- *JS-01A2A02A
- *JT-01A2A02A
- *JU-01A2A02A
- *JV-01A2A02A
- *JW-01A2A02A
- *JX-01A2A02A
- *JY-01A2A02A
- *JZ-01A2A02A
- *KA-01A2A02A
- *KB-01A2A02A
- *KC-01A2A02A
- *KD-01A2A02A
- *KE-01A2A02A
- *KF-01A2A02A
- *KG-01A2A02A
- *KH-01A2A02A
- *KI-01A2A02A
- *KJ-01A2A02A
- *KK-01A2A02A
- *KL-01A2A02A
- *KM-01A2A02A
- *KN-01A2A02A
- *KO-01A2A02A
- *KP-01A2A02A
- *KQ-01A2A02A
- *KR-01A2A02A
- *KS-01A2A02A
- *KT-01A2A02A
- *KU-01A2A02A
- *KV-01A2A02A
- *KW-01A2A02A
- *KX-01A2A02A
- *KY-01A2A02A
- *KZ-01A2A02A
- *LA-01A2A02A
- *LB-01A2A02A
- *LC-01A2A02A
- *LD-01A2A02A
- *LE-01A2A02A
- *LF-01A2A02A
- *LG-01A2A02A
- *LH-01A2A02A
- *LI-01A2A02A
- *LJ-01A2A02A
- *LK-01A2A02A
- *LL-01A2A02A
- *LM-01A2A02A
- *LN-01A2A02A
- *LO-01A2A02A
- *LP-01A2A02A
- *LQ-01A2A02A
- *LR-01A2A02A
- *LS-01A2A02A
- *LT-01A2A02A
- *LU-01A2A02A
- *LV-01A2A02A
- *LW-01A2A02A
- *LX-01A2A02A
- *LY-01A2A02A
- *LZ-01A2A02A
- *MA-01A2A02A
- *MB-01A2A02A
- *MC-01A2A02A
- *MD-01A2A02A
- *ME-01A2A02A
- *MF-01A2A02A
- *MG-01A2A02A
- *MH-01A2A02A
- *MI-01A2A02A
- *MJ-01A2A02A
- *MK-01A2A02A
- *ML-01A2A02A
- *MM-01A2A02A
- *MN-01A2A02A
- *MO-01A2A02A
- *MP-01A2A02A
- *MQ-01A2A02A
- *MR-01A2A02A
- *MS-01A2A02A
- *MT-01A2A02A
- *MU-01A2A02A
- *MV-01A2A02A
- *MW-01A2A02A
- *MX-01A2A02A
- *MY-01A2A02A
- *MZ-01A2A02A
- *NA-01A2A02A
- *NB-01A2A02A
- *NC-01A2A02A
- *ND-01A2A02A
- *NE-01A2A02A
- *NF-01A2A02A
- *NG-01A2A02A
- *NH-01A2A02A
- *NI-01A2A02A
- *NJ-01A2A02A
- *NK-01A2A02A
- *NL-01A2A02A
- *NM-01A2A02A
- *NN-01A2A02A
- *NO-01A2A02A
- *NP-01A2A02A
- *NQ-01A2A02A
- *NR-01A2A02A
- *NS-01A2A02A
- *NT-01A2A02A
- *NU-01A2A02A
- *NV-01A2A02A

TAG DATE
 A 12.7.82
 TA 1370F



NOTE I
 ALL INPUT AND OUTPUT LINES ARE
 REFERENCED ON LOGIC 37.41.12.2
 NOTE II THESE COMPONENTS ARE ACTUALLY LOCATED AT THE
 END OF THE CABLE IN GATE 01A7

DATE	EC NO	DATE	EC NO	DATE	EC NO
5-31-62	114141				

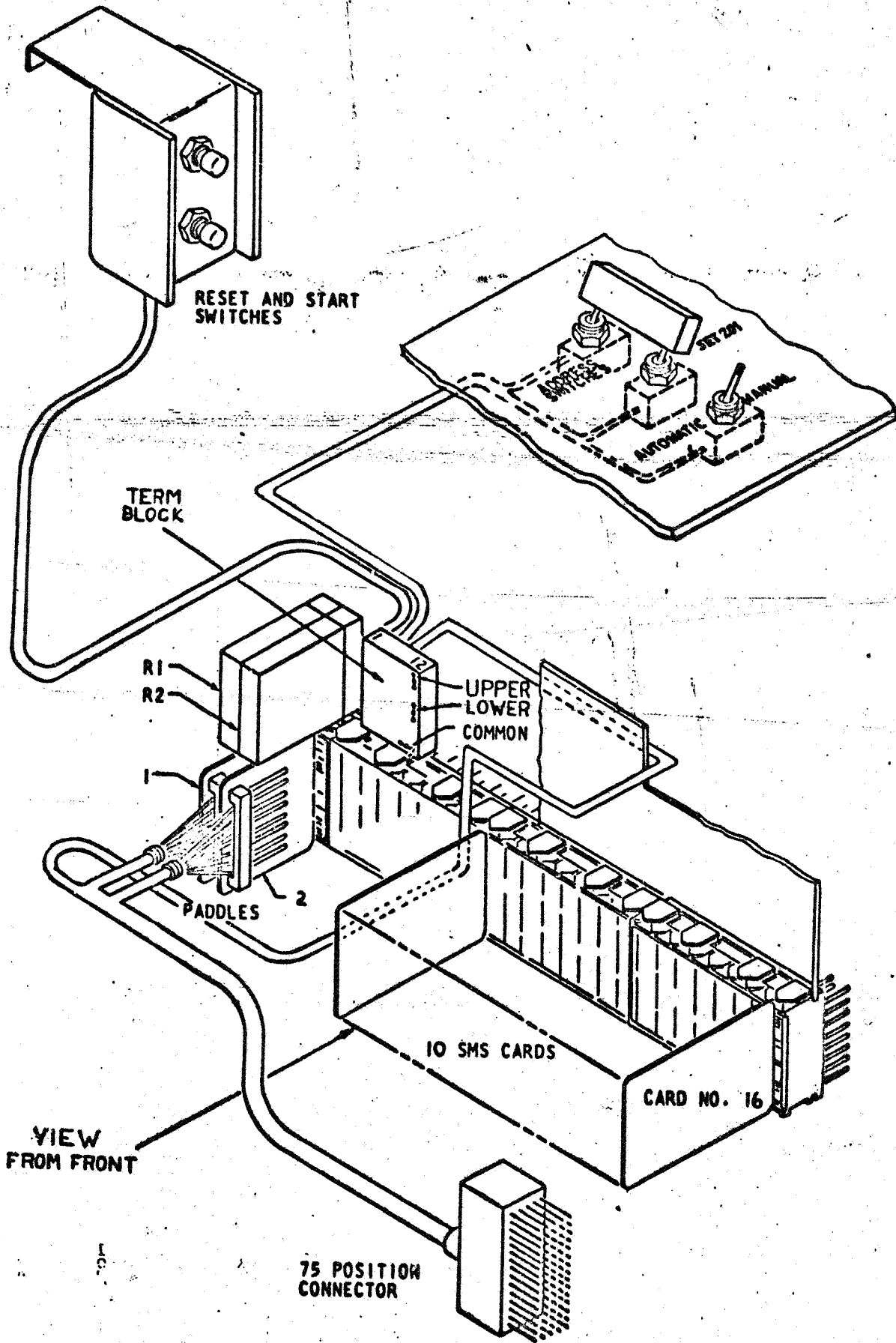
724827
 1370F

01A2

PN 724829

37.11.13.2
REF. DWG.

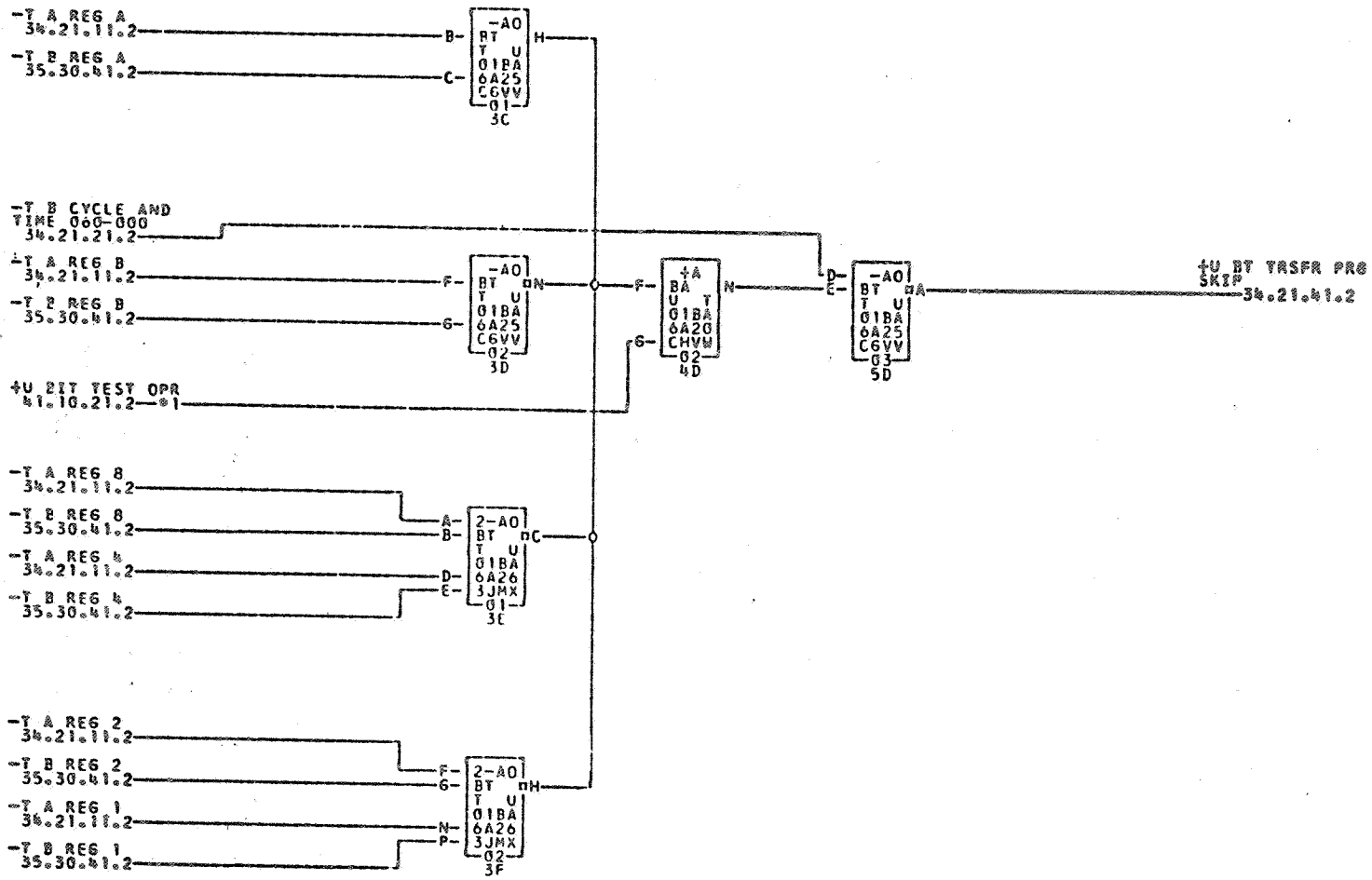
TAG DATE
A 12.7.62
TA 1310F



RRC PHYSICAL LAYOUT LOGIC

DATE	EC NO	DATE	EC NO	DATE	EC NO
5-31-62	114141				

724829
1370 F



*1-81B6D01J

COMMENTS

TAG DATE	E.C.NO.	TAG DATE	E.C.NO.	TAG DATE	E.C.NO.	TAG DATE	E.C.NO.
A 12-18-61	113530	B 12-11-62	114178				

729194

0724639

BIT TEST OPR

1401 BA

41.10.21.2

TAG DATE

A 28.5.62
TA 1344

B 16.4.63
TA 1815A

-T OP DECODE A
NOT B
35.22.11.2
-T OP DECODE 42
NOT 81
35.23.21.2



+U BIT TEST OPR
*1-31.05.11.2
+U BIT TEST OPR
*2-35.28.21.2
+U BIT TEST OPR
*2-35.18.11.2
+U BIT TEST OPR
*3-41.10.11.2

*1-01B1001D

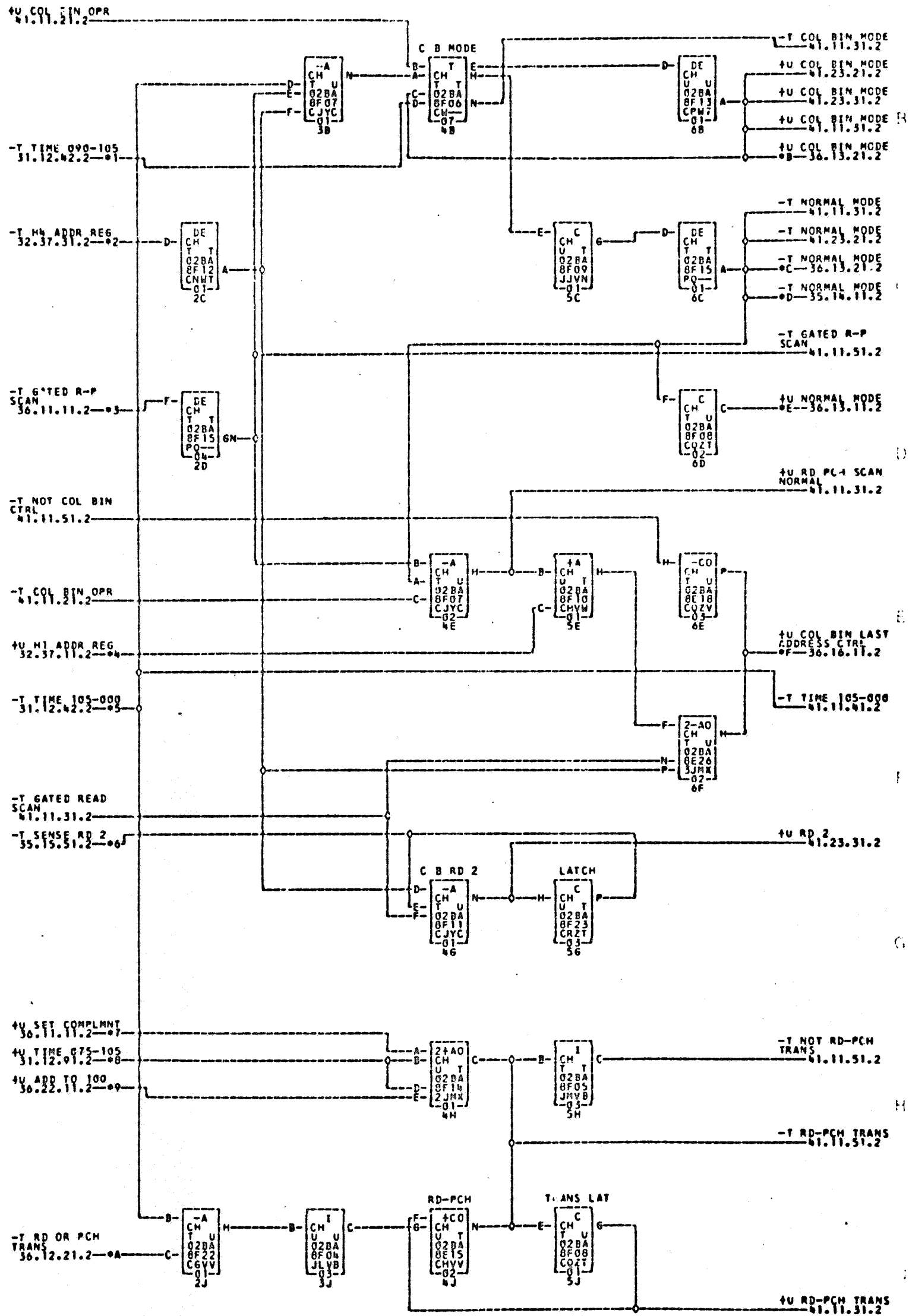
*2-01B1002P

*3-01B1002J

COMMENTS

TAG DATE	E.C.NO.	TAG DATE	E.C.NO.	TAG DATE	E.C.NO.	TAG DATE	E.C.NO.
A 12-04-61	112269C	B 01-14-63	116789				

724639



- *1--0288E03C *2--0288F03P *3--0288F01A *4--0288F03B *5--0288E036 *6--0288E01K
- *7--0288F01C *8--0288E03J *9--0288F01B *A--0288F02A *B--0288F01K *C--02A9D13B
- *C--0288F01J *D--0288F01L *E--0288F01I *F--0288F02J *G--0288E01L *H--02A0D15B
- *I--01A3D23L *J--01B4F02M *K--02A9D15B *L--01B4F02L *M--0288F01M *N--02A9D09B

COMMENTS

TAG DATE E.C.NO. TAG DATE E.C.NO. TAG DATE E.C.NO. TAG DATE E.C.NO.

A 05-27-61 110320E B 09-11-61 110324U

723 636

0723637

RD PCH COL BIN LATCH

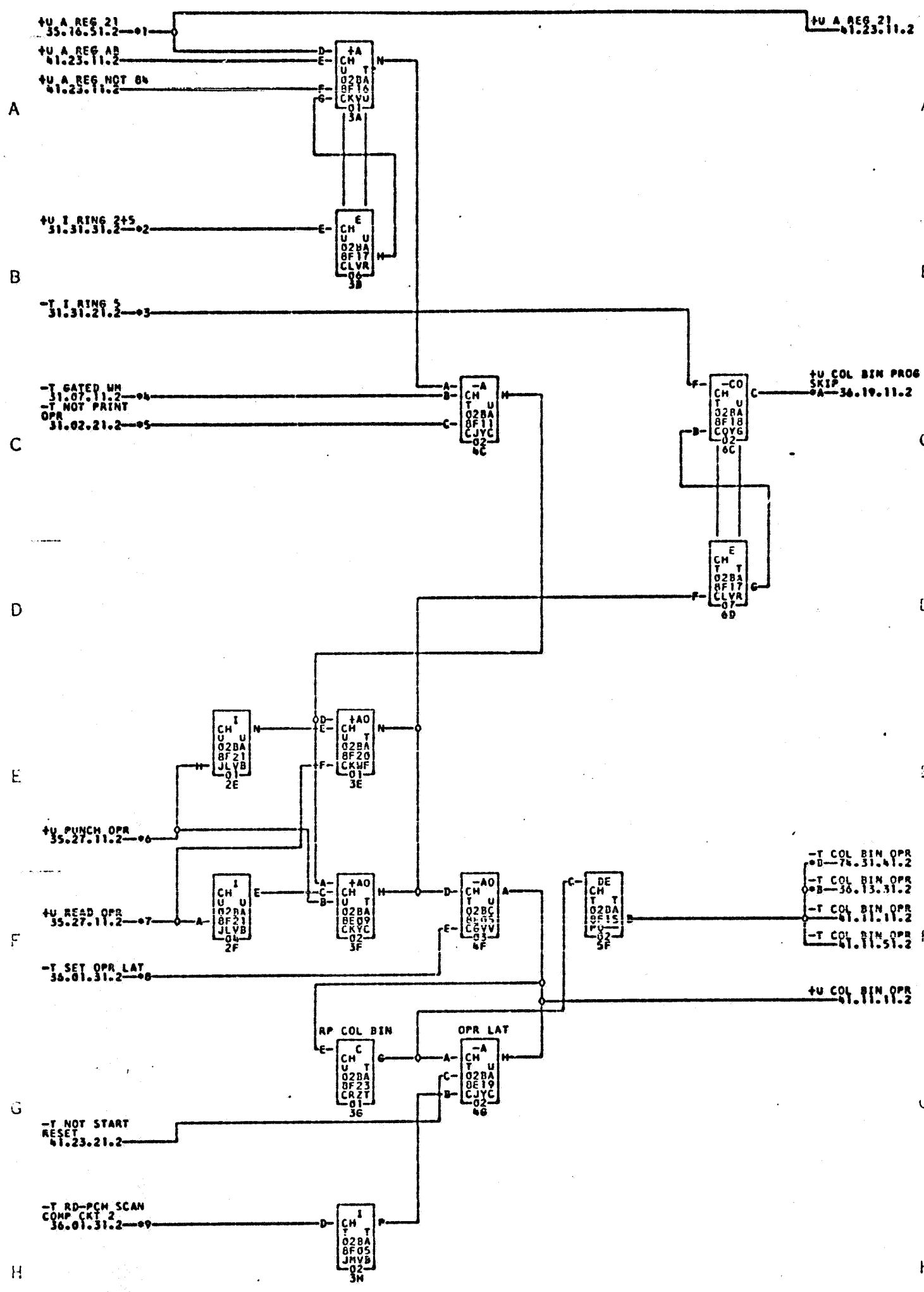
1401 CM

41.11.21.2

TAG DATE

B 8.2.62
TA 1143A

C 22.2.62
TA 1179



- 1—02B8F02C
- 2—02B8F02D
- 3—02B8F02L
- 4—02B8E01P
- 5—02B8F01R
- 6—02B8F02Q
- 7—02B8F02R
- 8—02B8F01C
- 9—02B8F02E
- A—02B8F01F
- B—02B8F02B
- C—02A9C17C
- D—01B4F03B
- E—02B1E02L

723637

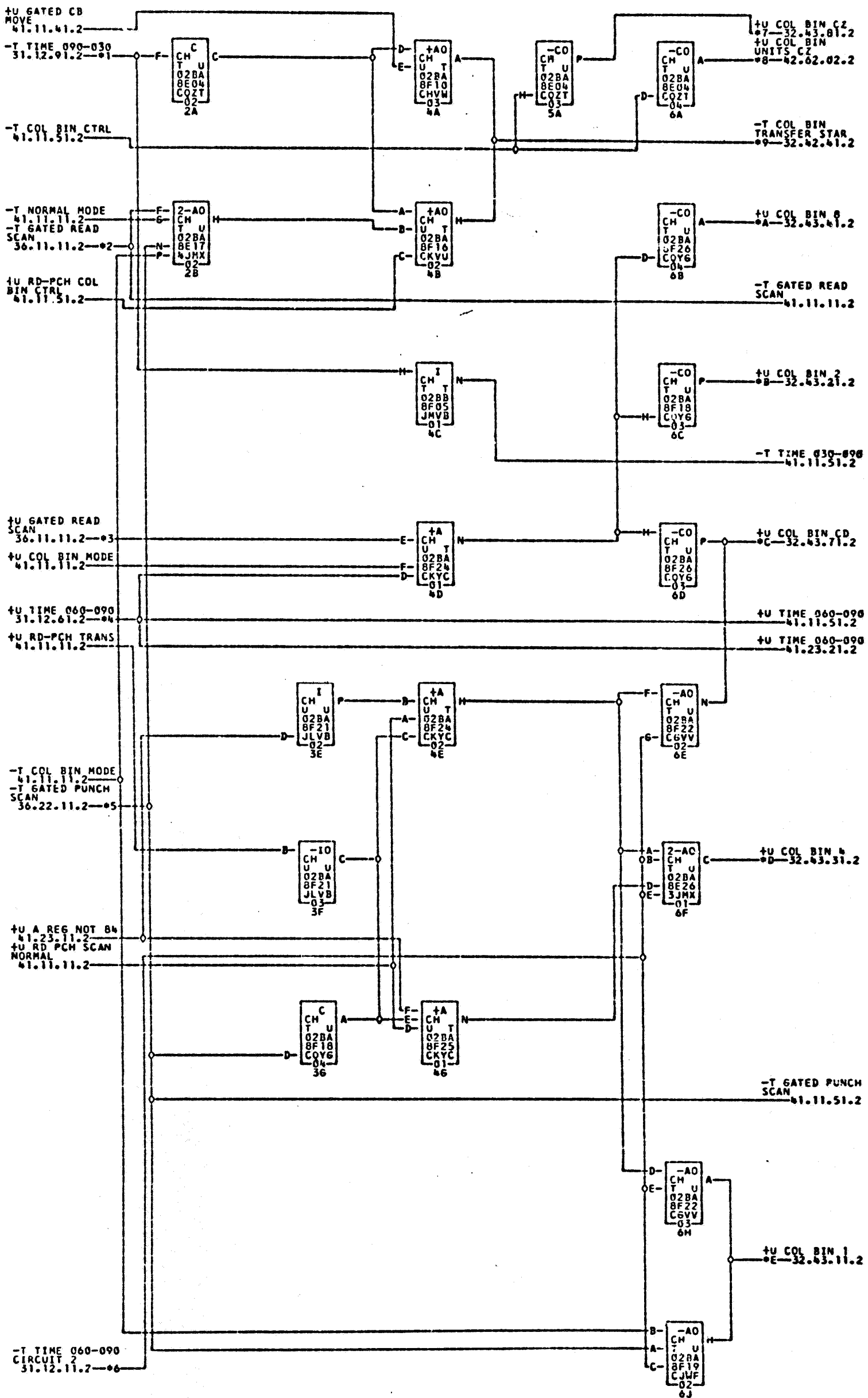
COMMENTS	TAG DATE	E.C.NO.	TAG DATE	E.C.NO.	TAG DATE	E.C.NO.	TAG DATE	E.C.NO.
	A 05-27-61	110320E	B 11-10-61	112913	C 12-06-61	113622		

0723638

RD-PCH COL BIN MAR CONTROL

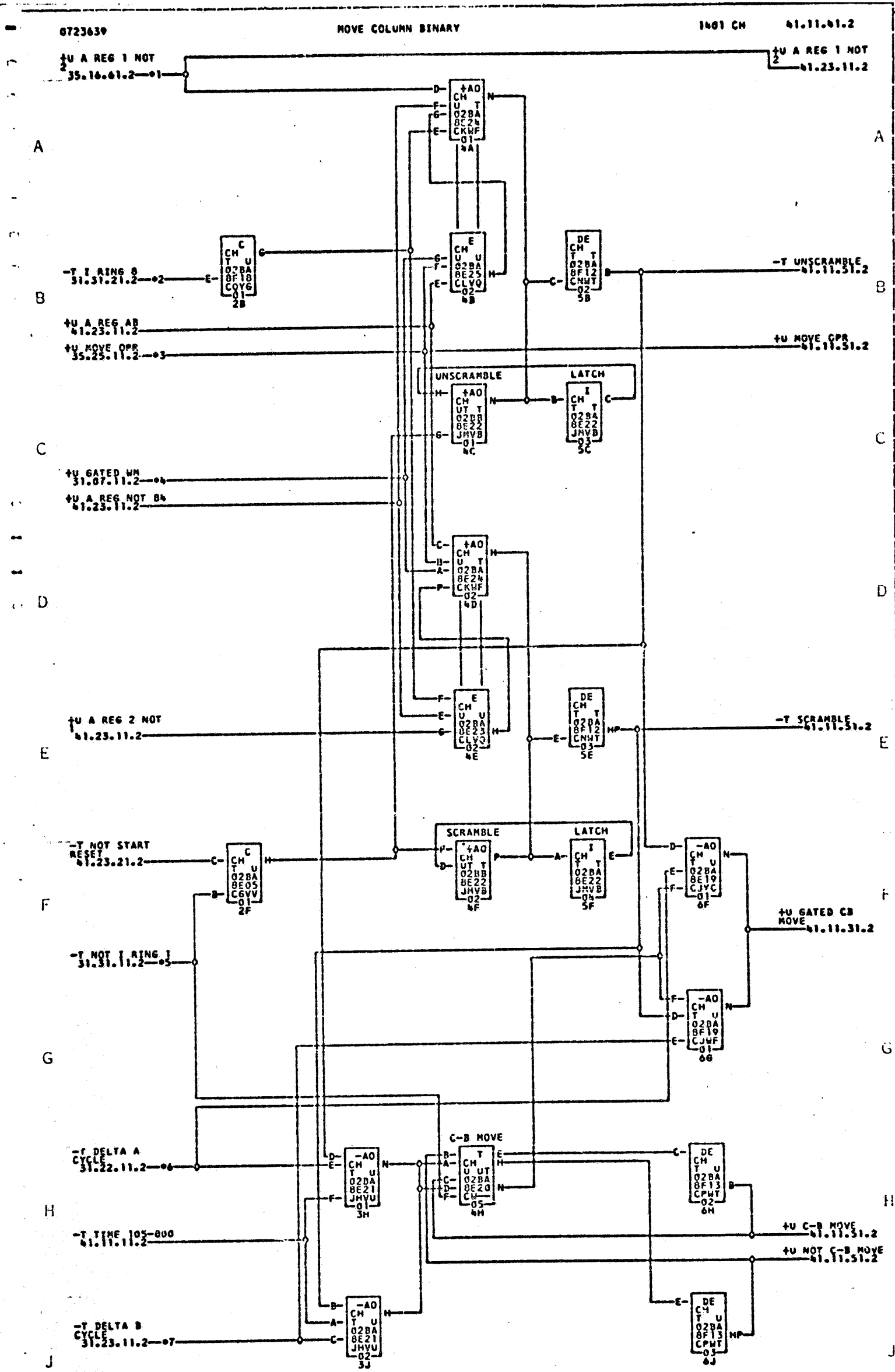
1401 CH 41.11.31.2

TAG DATE



B 19.12.61
 TA 1050A
 C 17.4.62
 TA 1282

- *1-0288E03E
- *2-0288F02K
- *3-0288F02G
- *4-0288E03B
- *5-0288F02J
- *6-0288E03H
- *7-0288E03A
- *8-0288F02L
- *9-0288F03E
- *A-0288F03J
- *B-0288F03K
- *C-0288F03M
- *D-0288F03F
- *E-0288F03G
- *F-0288F03N
- *G-0288F03P
- *H-0288F03Q
- *I-0288F03R
- *J-0288F03S
- *K-0288F03T
- *L-0288F03U
- *M-0288F03V
- *N-0288F03W
- *O-0288F03X
- *P-0288F03Y
- *Q-0288F03Z
- *R-0288F03AA
- *S-0288F03AB
- *T-0288F03AC
- *U-0288F03AD
- *V-0288F03AE
- *W-0288F03AF
- *X-0288F03AG
- *Y-0288F03AH
- *Z-0288F03AI
- *AA-0288F03AJ
- *AB-0288F03AK
- *AC-0288F03AL
- *AD-0288F03AM
- *AE-0288F03AN
- *AF-0288F03AO
- *AG-0288F03AP
- *AH-0288F03AQ
- *AI-0288F03AR
- *AJ-0288F03AS
- *AK-0288F03AT
- *AL-0288F03AU
- *AM-0288F03AV
- *AN-0288F03AW
- *AO-0288F03AX
- *AP-0288F03AY
- *AQ-0288F03AZ
- *AR-0288F03BA
- *AS-0288F03BB
- *AT-0288F03BC
- *AU-0288F03BD
- *AV-0288F03BE
- *AW-0288F03BF
- *AX-0288F03BG
- *AY-0288F03BH
- *AZ-0288F03BI
- *BA-0288F03BJ
- *BB-0288F03BK
- *BC-0288F03BL
- *BD-0288F03BM
- *BE-0288F03BN
- *BF-0288F03BO
- *BG-0288F03BP
- *BH-0288F03BQ
- *BI-0288F03BR
- *BJ-0288F03BS
- *BK-0288F03BT
- *BL-0288F03BU
- *BM-0288F03BV
- *BN-0288F03BW
- *BO-0288F03BX
- *BP-0288F03BY
- *BQ-0288F03BZ
- *BR-0288F03CA
- *BS-0288F03CB
- *BT-0288F03CC
- *BU-0288F03CD
- *BV-0288F03CE
- *BW-0288F03CF
- *BX-0288F03CG
- *BY-0288F03CH
- *BZ-0288F03CI
- *CA-0288F03CJ
- *CB-0288F03CK
- *CC-0288F03CL
- *CD-0288F03CM
- *CE-0288F03CN
- *CF-0288F03CO
- *CG-0288F03CP
- *CH-0288F03CQ
- *CI-0288F03CR
- *CJ-0288F03CS
- *CK-0288F03CT
- *CL-0288F03CU
- *CM-0288F03CV
- *CN-0288F03CW
- *CO-0288F03CX
- *CP-0288F03CY
- *CQ-0288F03CZ
- *CR-0288F03DA
- *CS-0288F03DB
- *CT-0288F03DC
- *CU-0288F03DD
- *CV-0288F03DE
- *CW-0288F03DF
- *CX-0288F03DG
- *CY-0288F03DH
- *CZ-0288F03DI
- *DA-0288F03DJ
- *DB-0288F03DK
- *DC-0288F03DL
- *DD-0288F03DM
- *DE-0288F03DN
- *DF-0288F03DO
- *DG-0288F03DP
- *DH-0288F03DQ
- *DI-0288F03DR
- *DJ-0288F03DS
- *DK-0288F03DT
- *DL-0288F03DU
- *DM-0288F03DV
- *DN-0288F03DW
- *DO-0288F03DX
- *DP-0288F03DY
- *DQ-0288F03DZ
- *DR-0288F03EA
- *DS-0288F03EB
- *DT-0288F03EC
- *DU-0288F03ED
- *DV-0288F03EE
- *DW-0288F03EF
- *DX-0288F03EG
- *DY-0288F03EH
- *DZ-0288F03EI
- *EA-0288F03EJ
- *EB-0288F03EK
- *EC-0288F03EL
- *ED-0288F03EM
- *EE-0288F03EN
- *EF-0288F03EO
- *EG-0288F03EP
- *EH-0288F03EQ
- *EI-0288F03ER
- *EJ-0288F03ES
- *EK-0288F03ET
- *EL-0288F03EU
- *EM-0288F03EV
- *EN-0288F03EW
- *EO-0288F03EX
- *EP-0288F03EY
- *EQ-0288F03EZ
- *ER-0288F03FA
- *ES-0288F03FB
- *ET-0288F03FC
- *EU-0288F03FD
- *EV-0288F03FE
- *EW-0288F03FF
- *EX-0288F03FG
- *EY-0288F03FH
- *EZ-0288F03FI
- *FA-0288F03FJ
- *FB-0288F03FK
- *FC-0288F03FL
- *FD-0288F03FM
- *FE-0288F03FN
- *FF-0288F03FO
- *FG-0288F03FP
- *FH-0288F03FQ
- *FI-0288F03FR
- *FJ-0288F03FS
- *FK-0288F03FT
- *FL-0288F03FU
- *FM-0288F03FV
- *FN-0288F03FW
- *FO-0288F03FX
- *FP-0288F03FY
- *FQ-0288F03FZ
- *FR-0288F03GA
- *FS-0288F03GB
- *FT-0288F03GC
- *FU-0288F03GD
- *FV-0288F03GE
- *FW-0288F03GF
- *FX-0288F03GG
- *FY-0288F03GH
- *FZ-0288F03GI
- *GA-0288F03GJ
- *GB-0288F03GK
- *GC-0288F03GL
- *GD-0288F03GM
- *GE-0288F03GN
- *GF-0288F03GO
- *GG-0288F03GP
- *GH-0288F03GQ
- *GI-0288F03GR
- *GJ-0288F03GS
- *GK-0288F03GT
- *GL-0288F03GU
- *GM-0288F03GV
- *GN-0288F03GW
- *GO-0288F03GX
- *GP-0288F03GY
- *GQ-0288F03GZ
- *GR-0288F03HA
- *GS-0288F03HB
- *GT-0288F03HC
- *GU-0288F03HD
- *GV-0288F03HE
- *GW-0288F03HF
- *GX-0288F03HG
- *GY-0288F03HH
- *GZ-0288F03HI
- *HA-0288F03HJ
- *HB-0288F03HK
- *HC-0288F03HL
- *HD-0288F03HM
- *HE-0288F03HN
- *HF-0288F03HO
- *HG-0288F03HP
- *HH-0288F03HQ
- *HI-0288F03HR
- *HJ-0288F03HS
- *HK-0288F03HT
- *HL-0288F03HU
- *HM-0288F03HV
- *HN-0288F03HW
- *HO-0288F03HX
- *HP-0288F03HY
- *HQ-0288F03HZ
- *HR-0288F03IA
- *HS-0288F03IB
- *HT-0288F03IC
- *HU-0288F03ID
- *HV-0288F03IE
- *HW-0288F03IF
- *HX-0288F03IG
- *HY-0288F03IH
- *HZ-0288F03II
- *IA-0288F03IJ
- *IB-0288F03IK
- *IC-0288F03IL
- *ID-0288F03IM
- *IE-0288F03IN
- *IF-0288F03IO
- *IG-0288F03IP
- *IH-0288F03IQ
- *II-0288F03IR
- *IJ-0288F03IS
- *IK-0288F03IT
- *IL-0288F03IU
- *IM-0288F03IV
- *IN-0288F03IW
- *IO-0288F03IX
- *IP-0288F03IY
- *IQ-0288F03IZ
- *IR-0288F03JA
- *IS-0288F03JB
- *IT-0288F03JC
- *IU-0288F03JD
- *IV-0288F03JE
- *IW-0288F03JF
- *IX-0288F03JG
- *IY-0288F03JH
- *IZ-0288F03JI
- *JA-0288F03JJ
- *JB-0288F03JK
- *JC-0288F03JL
- *JD-0288F03JM
- *JE-0288F03JN
- *JF-0288F03JO
- *JG-0288F03JP
- *JH-0288F03JQ
- *JI-0288F03JR
- *JJ-0288F03JS
- *JK-0288F03JT
- *JL-0288F03JU
- *JM-0288F03JV
- *JN-0288F03JW
- *JO-0288F03JX
- *JP-0288F03JY
- *JQ-0288F03JZ
- *JR-0288F03KA
- *KS-0288F03KB
- *KT-0288F03KC
- *KU-0288F03KD
- *KV-0288F03KE
- *KW-0288F03KF
- *KX-0288F03KG
- *KY-0288F03KH
- *KZ-0288F03KI
- *KA-0288F03KJ
- *KB-0288F03KK
- *KC-0288F03KL
- *KD-0288F03KM
- *KE-0288F03KN
- *KF-0288F03KO
- *KG-0288F03KP
- *KH-0288F03KQ
- *KI-0288F03KR
- *KJ-0288F03KS
- *KK-0288F03KT
- *KL-0288F03KU
- *KM-0288F03KV
- *KN-0288F03KW
- *KO-0288F03KX
- *KP-0288F03KY
- *KQ-0288F03KZ
- *KR-0288F03LA
- *LS-0288F03LB
- *LT-0288F03LC
- *LU-0288F03LD
- *LV-0288F03LE
- *LW-0288F03LF
- *LX-0288F03LG
- *LY-0288F03LH
- *LZ-0288F03LI
- *LA-0288F03LJ
- *LB-0288F03LK
- *LC-0288F03LL
- *LD-0288F03LM
- *LE-0288F03LN
- *LF-0288F03LO
- *LG-0288F03LP
- *LH-0288F03LQ
- *LI-0288F03LR
- *LJ-0288F03LS
- *LK-0288F03LT
- *LL-0288F03LU
- *LM-0288F03LV
- *LN-0288F03LW
- *LO-0288F03LX
- *LP-0288F03LY
- *LQ-0288F03LZ
- *LR-0288F03MA
- *MS-0288F03MB
- *MT-0288F03MC
- *MU-0288F03MD
- *MV-0288F03ME
- *MW-0288F03MF
- *MX-0288F03MG
- *MY-0288F03MH
- *MZ-0288F03MI
- *MA-0288F03MJ
- *MB-0288F03MK
- *MC-0288F03ML
- *MD-0288F03MM
- *ME-0288F03MN
- *MF-0288F03MO
- *MG-0288F03MP
- *MH-0288F03MQ
- *MI-0288F03MR
- *MJ-0288F03MS
- *MK-0288F03MT
- *ML-0288F03MU
- *MM-0288F03MV
- *MN-0288F03MW
- *MO-0288F03MX
- *MP-0288F03MY
- *MQ-0288F03MZ
- *MR-0288F03NA
- *NS-0288F03NB
- *NT-0288F03NC
- *NU-0288F03ND
- *NV-0288F03NE
- *NW-0288F03NF
- *NX-0288F03NG
- *NY-0288F03NH
- *NZ-0288F03NI
- *NA-0288F03NJ
- *NB-0288F03NK
- *NC-0288F03NL
- *ND-0288F03NM
- *NE-0288F03NN
- *NF-0288F03NO
- *NG-0288F03NP
- *NH-0288F03NQ
- *NI-0288F03NR
- *NJ-0288F03NS
- *NK-0288F03NT
- *NL-0288F03NU
- *NM-0288F03NV
- *NN-0288F03NW
- *NO-0288F03NX
- *NP-0288F03NY
- *NQ-0288F03NZ
- *NR-0288F03OA
- *OS-0288F03OB
- *OT-0288F03OC
- *OU-0288F03OD
- *OV-0288F03OE
- *OW-0288F03OF
- *OX-0288F03OG
- *OY-0288F03OH
- *OZ-0288F03OI
- *OA-0288F03OJ
- *OB-0288F03OK
- *OC-0288F03OL
- *OD-0288F03OM
- *OE-0288F03ON
- *OF-0288F03OO
- *OG-0288F03OP
- *OH-0288F03OQ
- *OI-0288F03OR
- *OJ-0288F03OS
- *OK-0288F03OT
- *OL-0288F03OU
- *OM-0288F03OV
- *ON-0288F03OW
- *OO-0288F03OX
- *OP-0288F03OY
- *OQ-0288F03OZ
- *OR-0288F03PA
- *PS-0288F03PB
- *PT-0288F03PC
- *PU-0288F03PD
- *PV-0288F03PE
- *PW-0288F03PF
- *PX-0288F03PG
- *PY-0288F03PH
- *PZ-0288F03PI
- *PA-0288F03PJ
- *PB-0288F03PK
- *PC-0288F03PL
- *PD-0288F03PM
- *PE-0288F03PN
- *PF-0288F03PO
- *PG-0288F03PP
- *PH-0288F03PQ
- *PI-0288F03PR
- *PJ-0288F03PS
- *PK-0288F03PT
- *PL-0288F03PU
- *PM-0288F03PV
- *PN-0288F03PW
- *PO-0288F03PX
- *PP-0288F03PY
- *PQ-0288F03PZ
- *PR-0288F03QA
- *QS-0288F03QB
- *QT-0288F03QC
- *QU-0288F03QD
- *QV-0288F03QE
- *QW-0288F03QF
- *QX-0288F03QG
- *QY-0288F03QH
- *QZ-0288F03QI
- *QA-0288F03QJ
- *QB-0288F03QK
- *QC-0288F03QL
- *QD-0288F03QM
- *QE-0288F03QN
- *QF-0288F03QO
- *QG-0288F03QP
- *QH-0288F03QQ
- *QI-0288F03QR
- *QJ-0288F03QS
- *QK-0288F03QT
- *QL-0288F03QU
- *QM-0288F03QV
- *QN-0288F03QW
- *QO-0288F03QX
- *QP-0288F03QY
- *QQ-0288F03QZ
- *QR-0288F03RA
- *RS-0288F03RB
- *RT-0288F03RC
- *RU-0288F03RD
- *RV-0288F03RE
- *RW-0288F03RF
- *RX-0288F03RG
- *RY-0288F03RH
- *RZ-0288F03RI
- *RA-0288F03RJ
- *RB-0288F03RK
- *RC-0288F03RL
- *RD-0288F03RM
- *RE-0288F03RN
- *RF-0288F03RO
- *RG-0



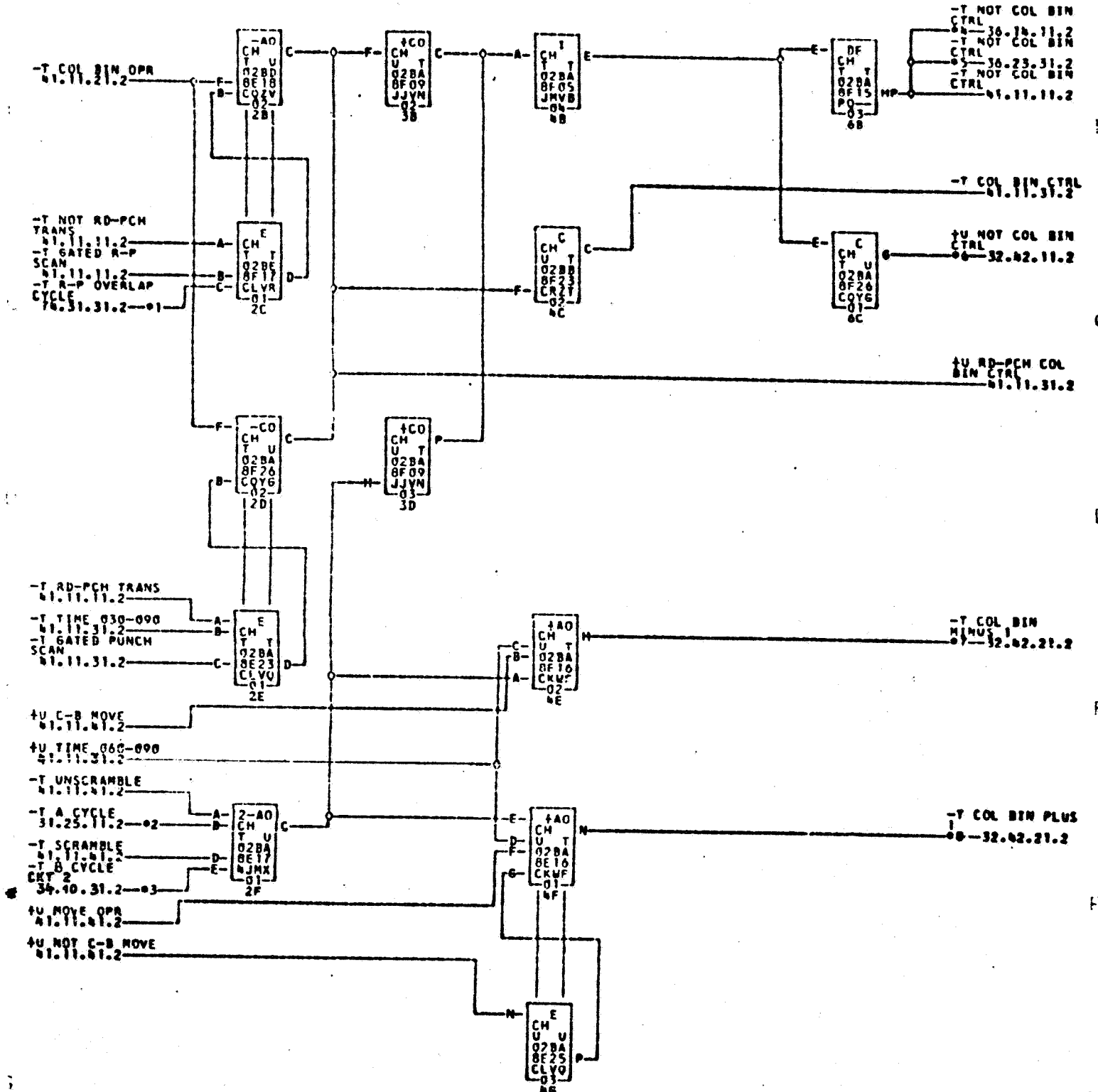
TAG DATE
 A 22.9.61
 TA 37699E
 B 22.2.62
 TA 1179

723639

COMMENTS TAG DATE E.C.NO. TAG DATE E.C.NO. TAG DATE E.C.NO. TAG DATE E.C.NO.

A 05-27-61 110320E B 12-06-61 113622

TAG
D 22.2.61
TA 1179
F 17.4.61
TA 1282
*17.9.63
TA 1282



- *1--0288E03K *2--0288E03N *3--0288E01M *4--0288F01M ==02A9D17B ---01B4T02M
- *5--0288E01J ==02A9D17E ---01R7D01M *6--0288F03N ==02A9C056 ---01A8D24M
- *7--0288F03Q ---02A9C096 ---01A8D240 *8--0288F03M ==02A9C036 ---01A8D24M

COMMENTS

TAG DATE	E.C.NO.	TAG DATE	E.C.NO.	TAG DATE	E.C.NO.	TAG DATE	E.C.NO.
A 05-27-61	110320E	B 09-11-61	110324U	C 10-21-61	112246	D 12-06-61	113422
E 12-19-61	113535	F 01-23-62	113835				

723640

0725641

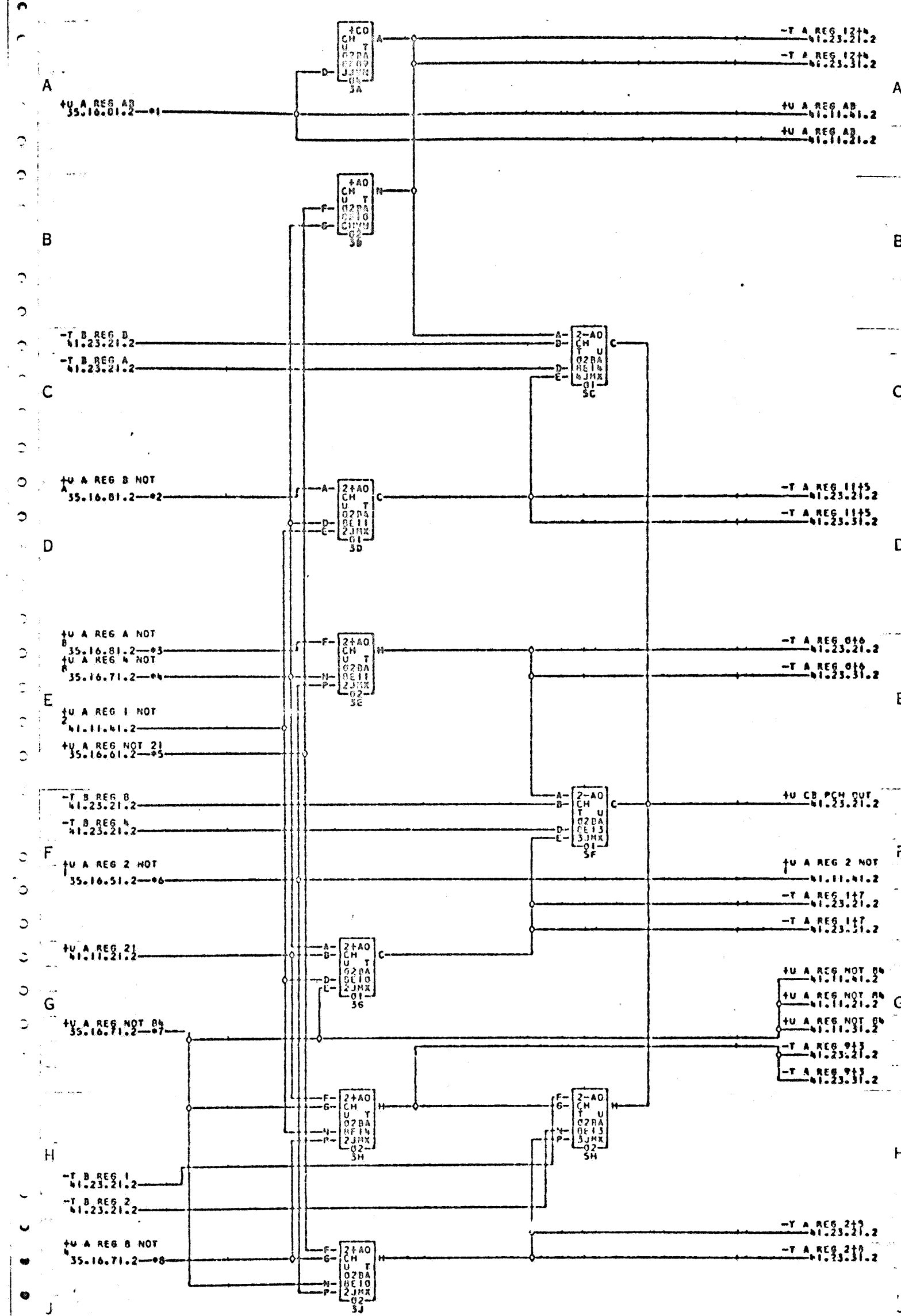
COL BIN PUNCH DECODE MATRIX

1N01 CH

41.23.11.2

TAG DATE

A 22.9.61
TA 37639E



- *1--02B8E020
- *2--02B8E02R
- *3--02B8E02E
- *4--02B8E02N
- *5--02B8E02B
- *6--02B8E02H
- *7--02B8E02A
- *8--02B8E02D

COMMENTS TAG DATE E.C.NO. TAG DATE E.C.NO. TAG DATE E.C.NO. TAG DATE E.C.NO.

A 05-27-61 110320E

725641

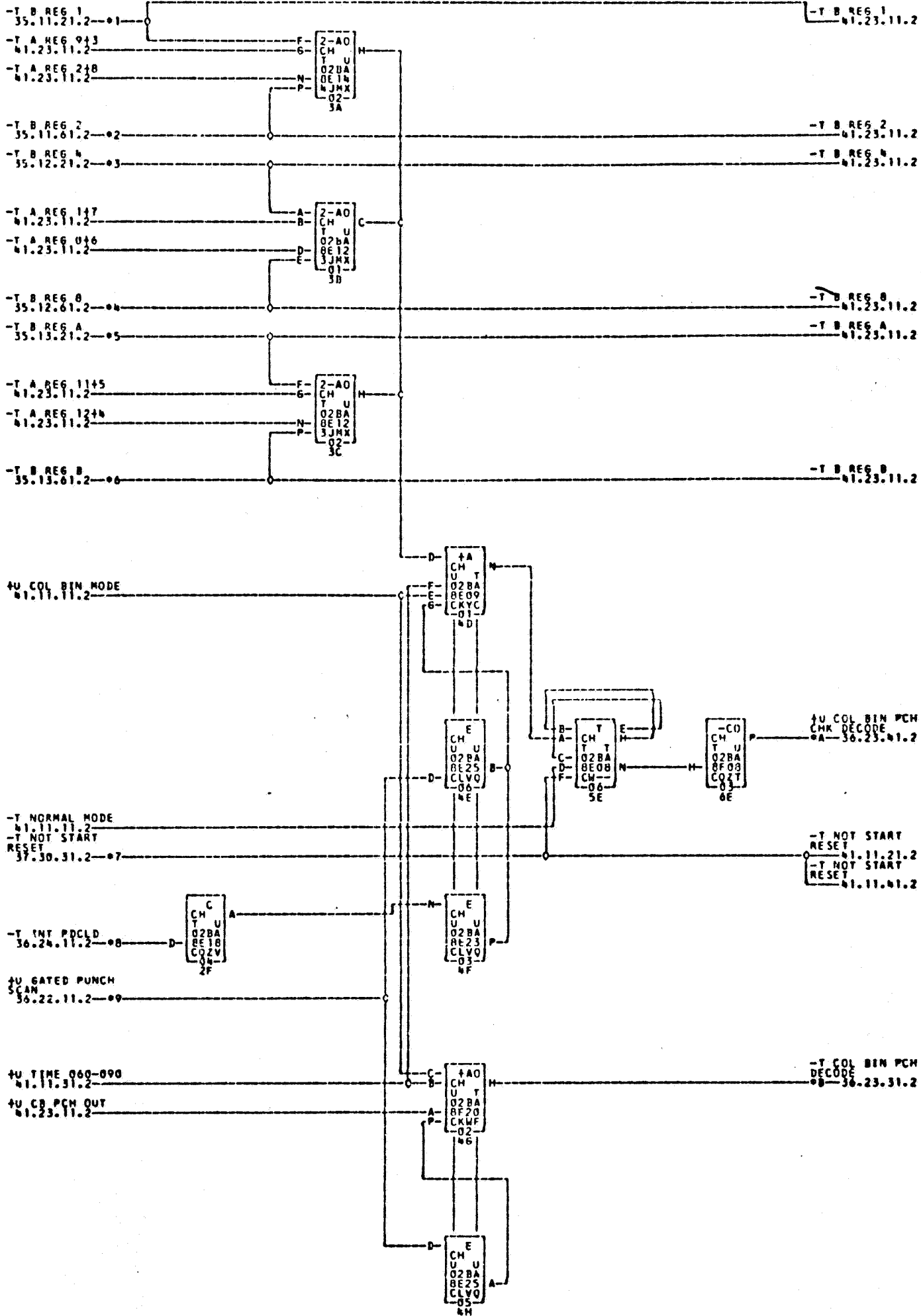
0723642

COL BIN PCM DECODE+ MOLE COUNT

1401 CH

41.23.21.2

TAG DATE



A 22.9.61
TA 37699E

B 18.10.61
TA 37699H

B

C

D

E

F

G

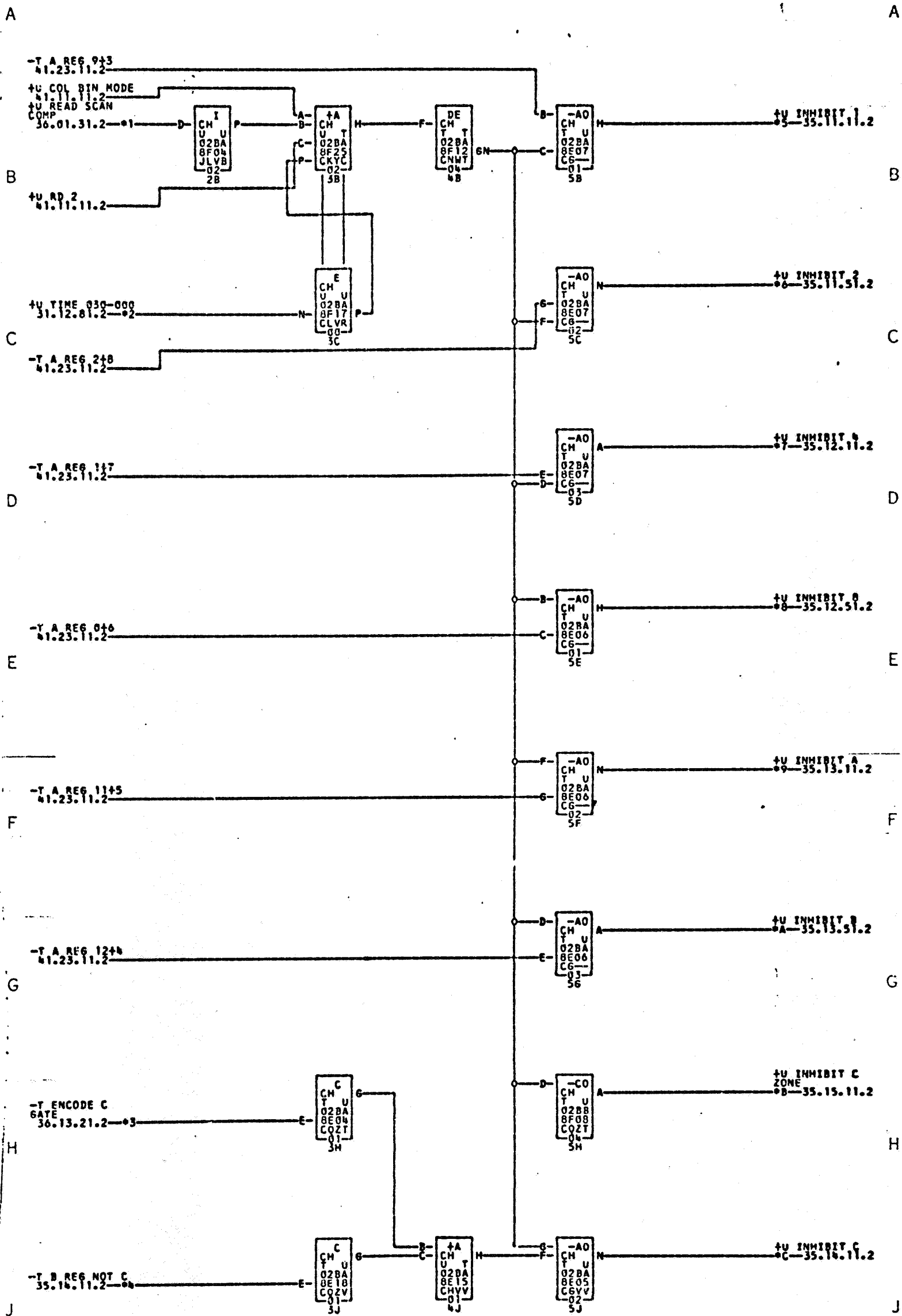
H

- *1—0288E02J *2—0288E02L *3—0288E02M *4—0288E02P *5—0288E02N *6—0288E02G
- *7—0288E02H *8—0288E02I *9—0288E02K *A—0288E03D *10—0288E02E *11—0288E02F
- *12—0288E02R *13—0288E02S *14—0288E02T *15—0288E02U *16—0288E02V *17—0288E02W
- *18—0288E02X *19—0288E02Y *20—0288E02Z *21—0288E03A *22—0288E03B *23—0288E03C

COMMENTS

TAG DATE	E.C.NO.	TAG DATE	E.C.NO.	TAG DATE	E.C.NO.	TAG DATE	E.C.NO.
A 05-27-61	118320E	B 09-11-61	118320G				

370049



- *1—02B8F01E *2—02B8E03F *3—02B8F01P *4—02B8E01Q *5—02B8E01F ———02A0DC5D
- 01A3D23F ———02B8E01E ———02A0D03B ———01A3D23E *7—02B8E01D ———02A0D01B
- 01A3D23D *6—02B8E01C ———02A0C19B ———01A3D23C *8—02B8E01B ———02A0C17B
- 01A3D23B *A—02B8E01A ———02A0C15B ———01A3D23A *9—02B8E01A ———02A0D09B
- 01A3D23H *C—02B8E01G ———02A0D07B ———01A3D236 *D—02B8E01H

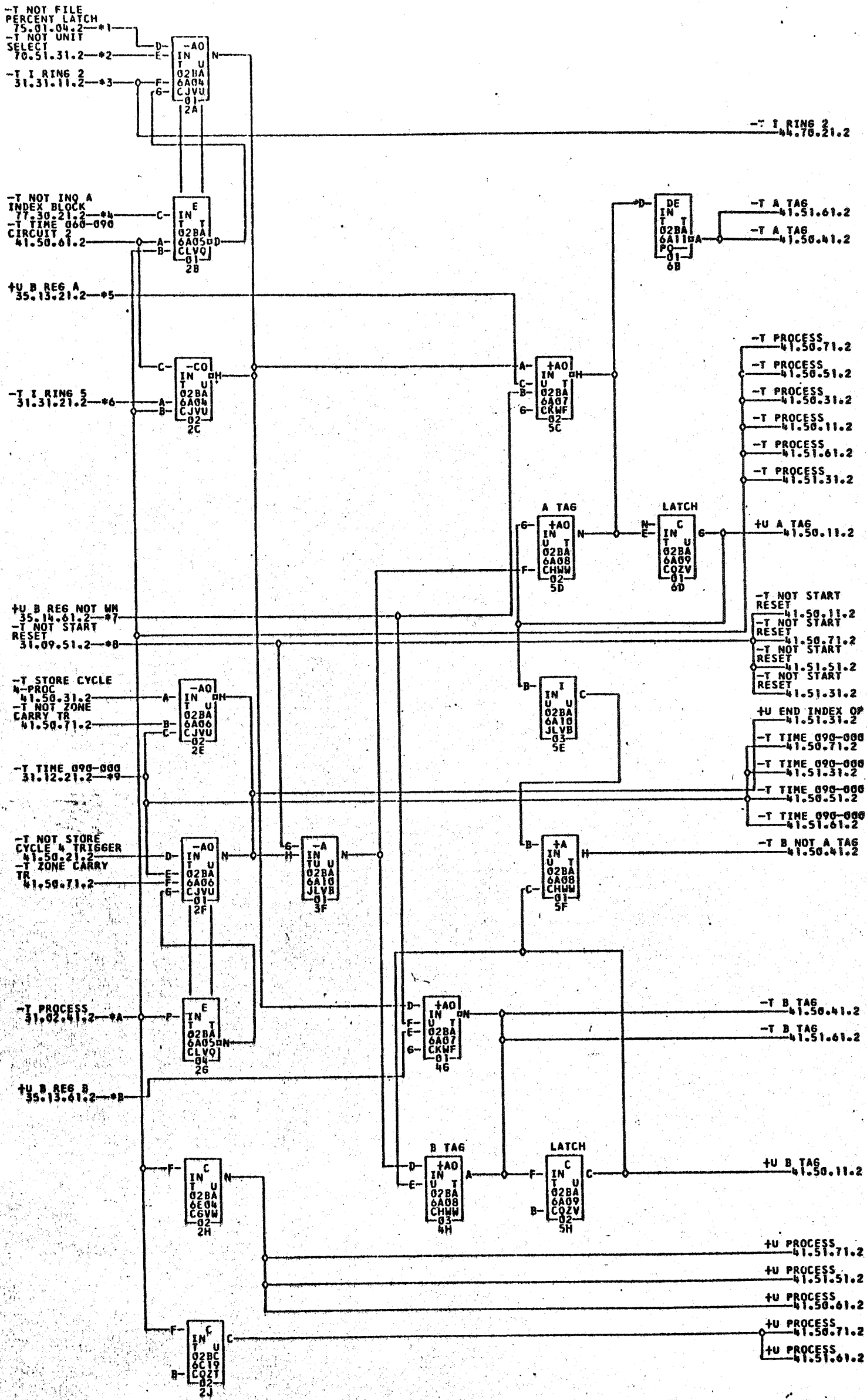
COMMENTS

TAG DATE	E.C.NO.	TAG DATE	E.C.NO.	TAG DATE	E.C.NO.	TAG DATE	E.C.NO.
A 05-27-61	110320E	B 11-10-61	112913				

723643

C 20.9.62
TA 1441D

D 5.3.63
TA 1771A



- *1-02B6C03L
- *2-02B6F01E
- *3-02B6A01C
- *4-02B6C03M
- *5-02A0F13A
- *6-02B6A01E
- *7-01B1A03N
- *8-01B1B02R
- *9-01B0A0CF
- *A-02B6C03K
- *B-02B6C01C

COMMENTS TAG DATE E.C.NO. TAG DATE E.C.NO. TAG DATE E.C.NO. TAG DATE E.C.NO.
 A 01-23-62 113830 B 03-23-62 114129 C 07-06-62 114150 D 12-13-62 114176

729035

729036

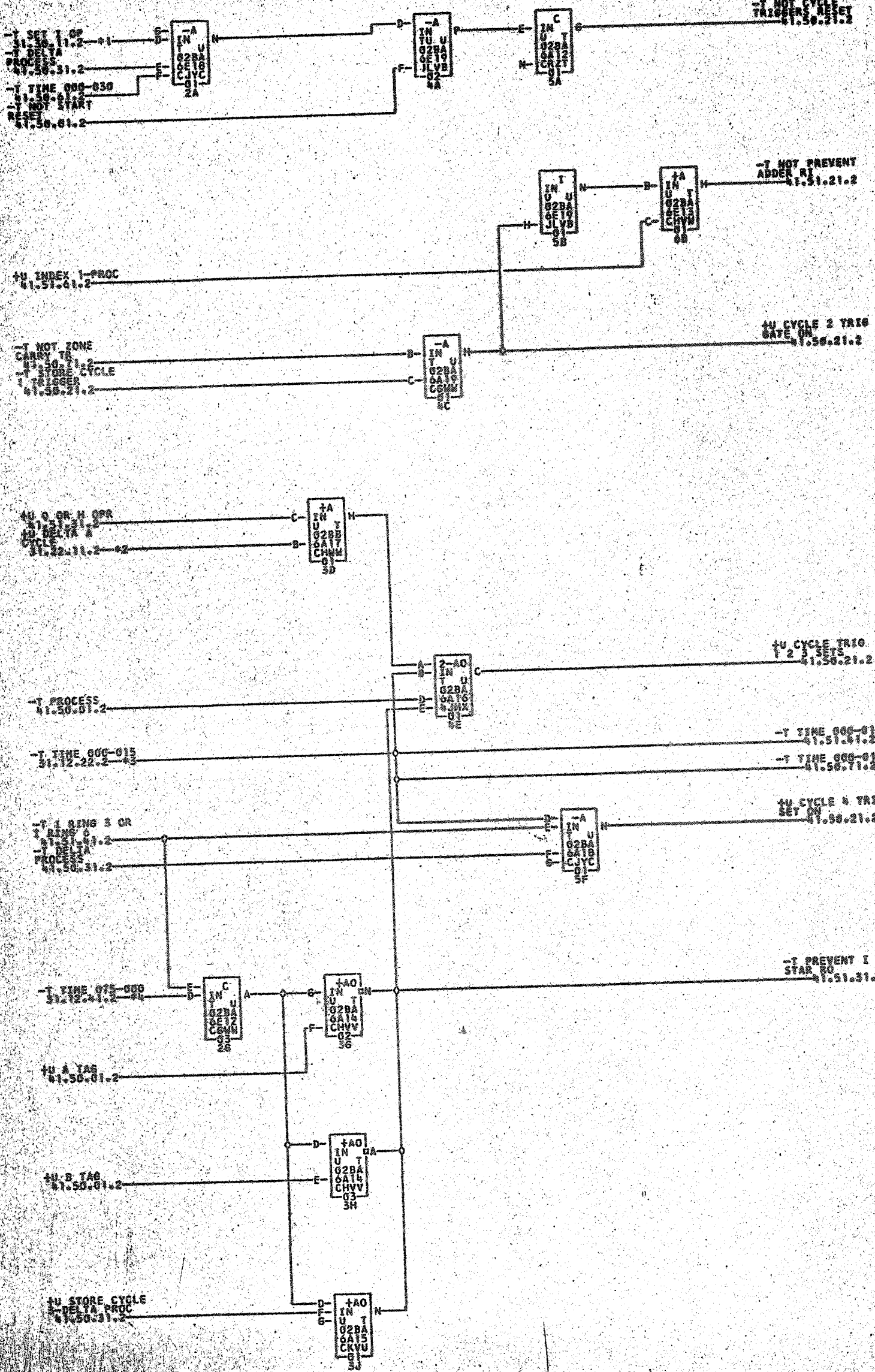
STORE INDEX CYCLE TRIG GATES

1961 IN 41.50.11.2

TAG DATE

B 29.6.62
TA 1370

C 5.3.63
TA 1771A



- #1-02B6A01B
- #2-02B6A01J
- #3-02B6A03E
- #4-02B6A03F

COMMENTS

TAG DATE	E.C.NO.	TAG DATE	E.C.NO.	TAG DATE	E.C.NO.	TAG DATE	E.C.NO.
A 01-23-62	113838	B 03-23-62	113838	C 12-13-62	113878		

729036

0729038

STORE CYCLE DRIVERS

1401 IN

41.50.31.2

TAG DATE

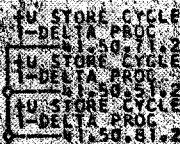
B 30.8.62

TA 1441

C 5.3.62

TA 1771A

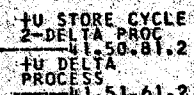
-T STORE CYCLE
1 TRIGGER
41.50.21.2



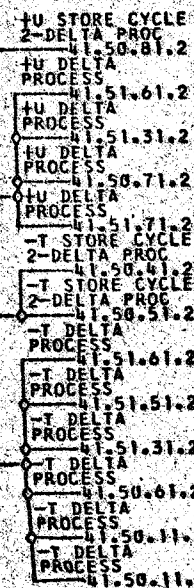
+U NOT ZONE
CARRY TR
41.50.71.2



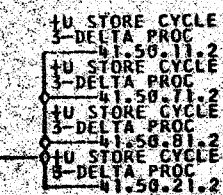
-T STORE CYCLE
2 TRIGGER
41.50.21.2



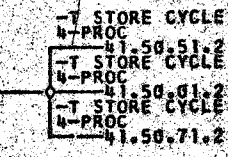
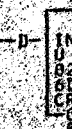
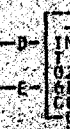
+U DELTA
PROCESS
31.02.11.2



-T STORE CYCLE
3 TRIGGER
41.50.21.2



-T STORE CYCLE
4 TRIGGER
41.50.21.2
-T PROCESS
41.50.61.2



41-0286601H

COMMENTS

TAG DATE FIG NO TAG DATE FIG NO TAG DATE FIG NO TAG DATE FIG NO

A 01-21-62 51538

B 06-04-62 51538

C 12-15-62 51538

D 01-15-62 51538

E 01-15-62 51538

F 01-15-62 51538

720038

0729040

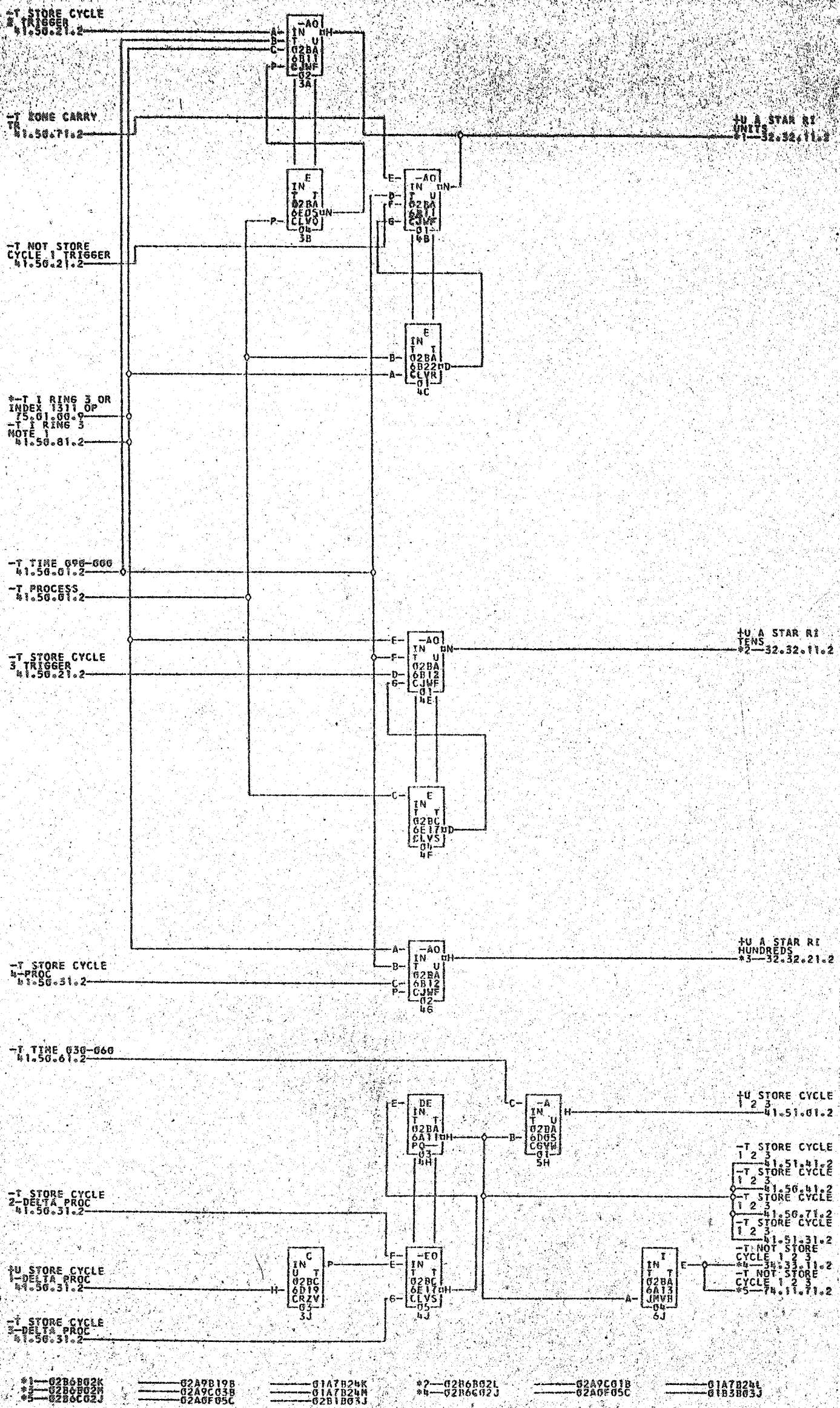
A STAR READ IN + STORE CYCLE 1 2 3

1901 IN 41.50.51.2

TAG DATE

B 29.8.62
TA 1370

C 5.8.63
TA 1771A



NOTE 1: RING 3 SIGNAL FROM 41.50.81.2 REMOVED WITH 1311 FEATURE ATTACHED.
 NOTE 2: ASTERISK PRECEDING SIGNAL INDICATES DIRECT CABLE EXPANSION

TAG DATE	E.C.NO.	TAG DATE	E.C.NO.	TAG DATE	E.C.NO.	TAG DATE	E.C.NO.
A 01-23-62	113838	B 03-23-62	114129	C 12-13-62	114176		

729040
1771 A

0729042

HUNDREDS ZONE CARRY CONTROLS

1401 IN

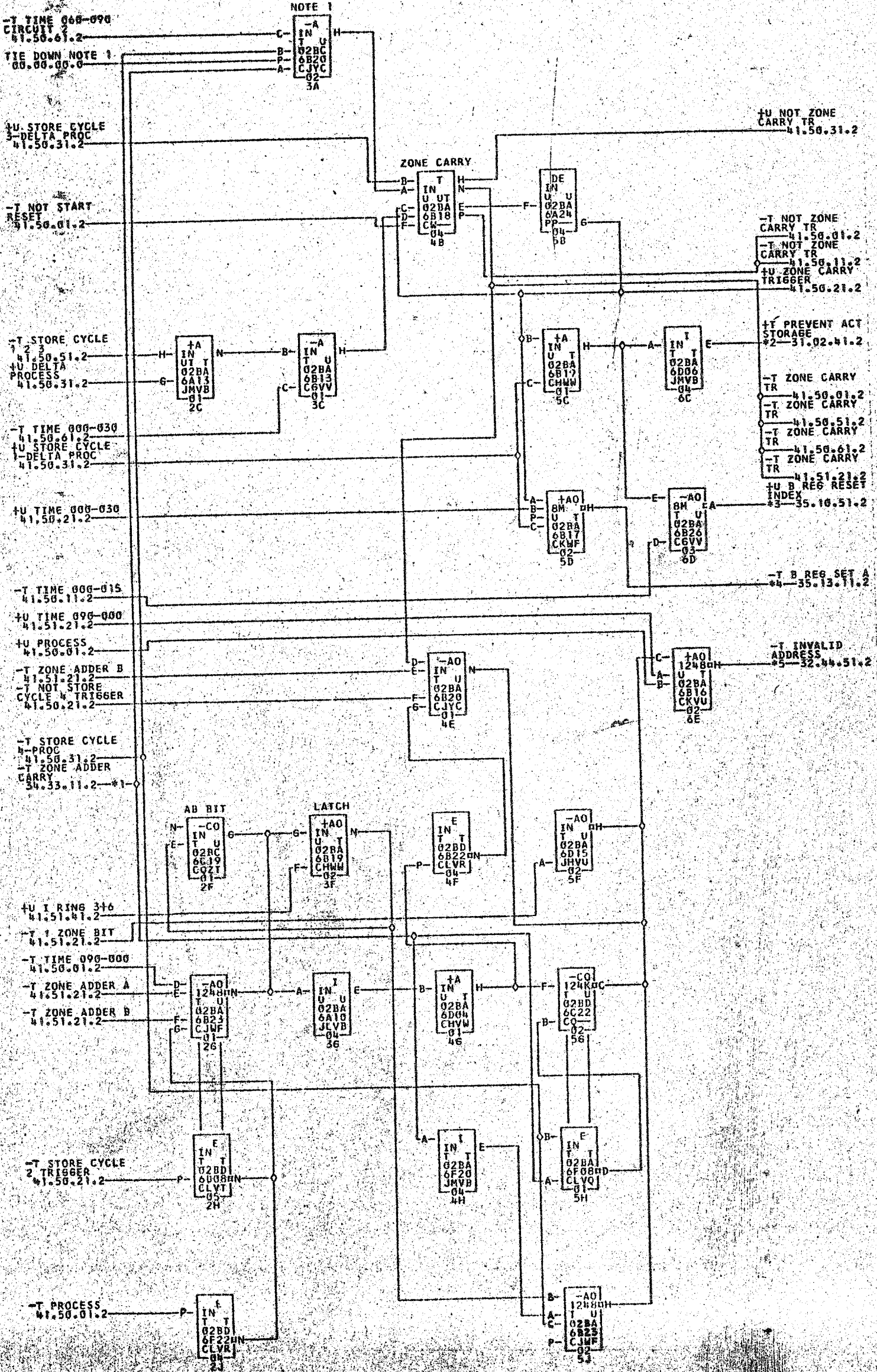
41.50.71.2

TAG DATE

8.2.63
TA 1578Q

D 5.3.63
TA 1771A

*25.11.63
TA 1990C

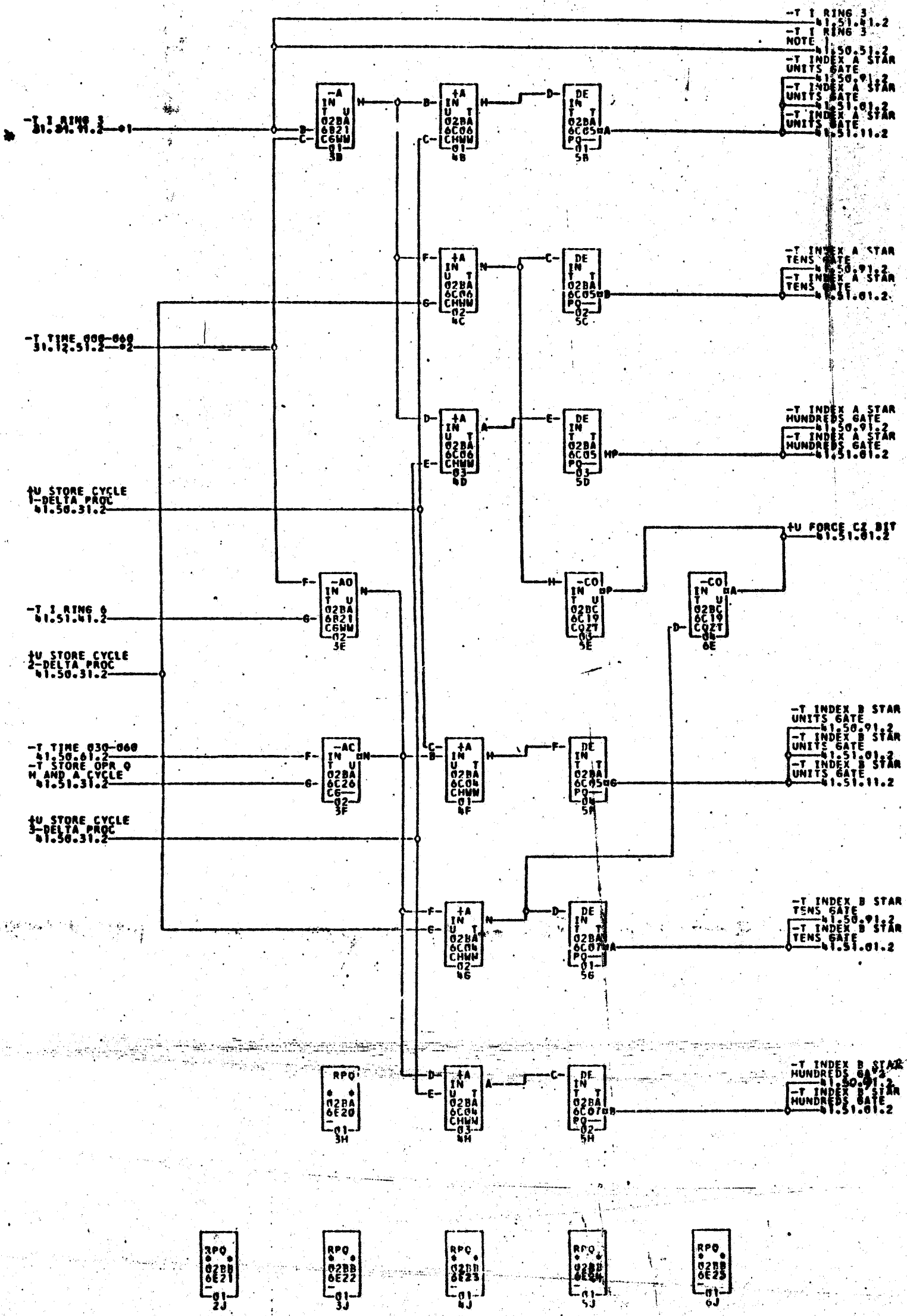


- *1-02BAC02R
- *2-02B6A02N
- *3-02A0015E
- *4-02B6B03L
- *5-02B6E02L
- *6-02A0015C
- *7-02A0015F
- *8-02B6B03M
- *9-01B2A02N
- *10-01A3F25M
- *11-02B6B03L
- *12-02B6E02L
- *13-02A0015C
- *14-02A0015F

NOTE 1 ADD JUMPER FROM PIN 4 TO PIN 5 FOR 4K AND BELOW

TAG DATE	FIG NO.	TAG DATE	FIG NO.	TAG DATE	FIG NO.	TAG DATE	FIG NO.
01-23-62	113839	06-04-62	114104	07-04-62	114154	12-13-62	114174

1990C
729042



*1-02B6A01D *2-02B6C030

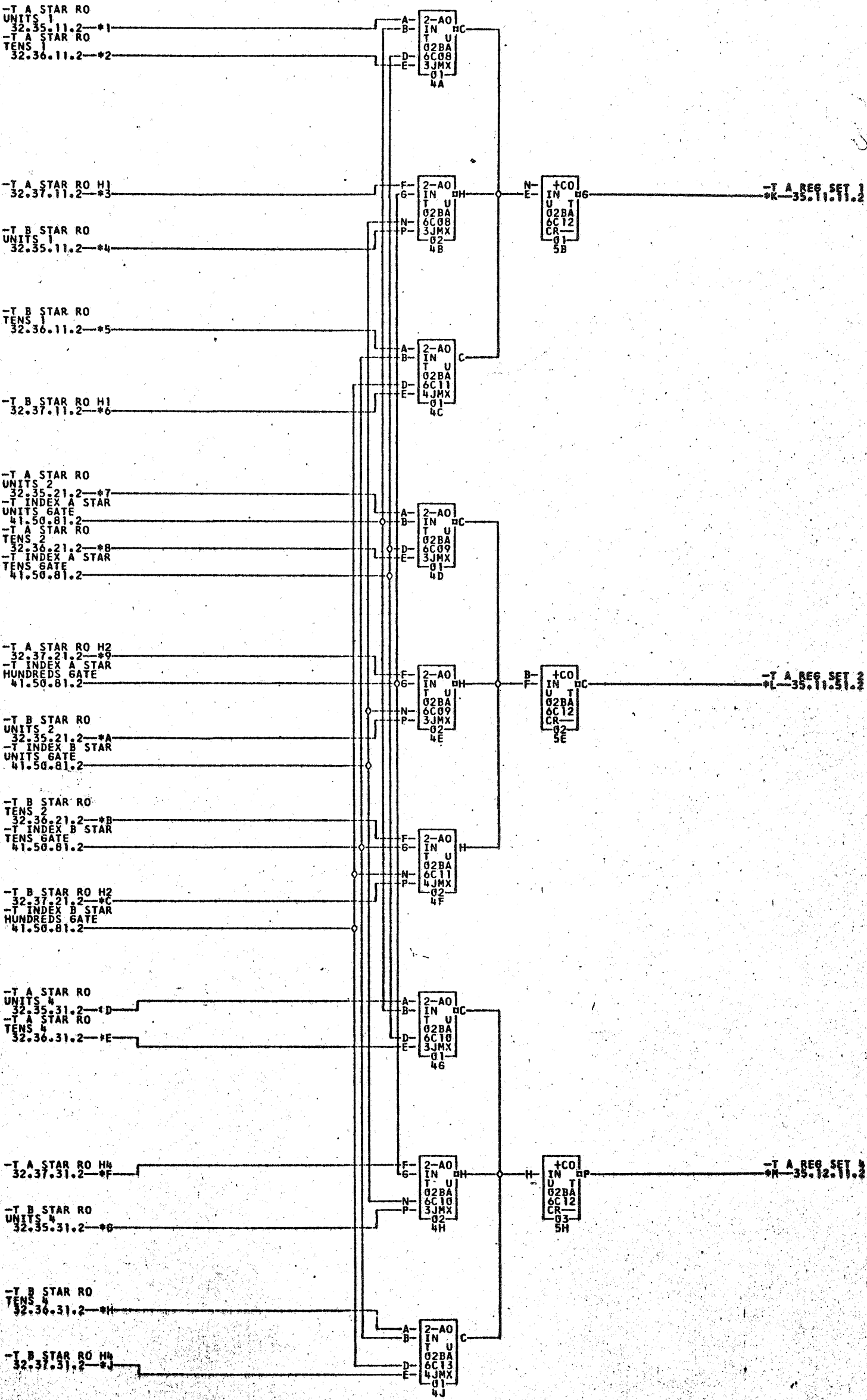
NOTE 1 I RING 3 SIGNAL TO 41.50.51.2 REMOVED WHEN 1311 FEATURE ATTACHED

TAG DATE	E.C.NO.	TAG DATE	E.C.NO.	TAG DATE	E.C.NO.	TAG DATE	E.C.NO.
A 01-23-62	114830	B 05-10-62	114137	C 01-06-62	114154	D 12-13-62	114176

729043

A 26.4.62
TA 1233D

B 5.3.63
TA 1771A



- | | | | | | |
|-------------|-------------|-------------|-------------|-------------|-------------|
| *1-02B6D01C | *2-02B6D01B | *3-02B6D01A | *4-02B6B01D | *5-02B6B01C | *6-02B6B01B |
| *7-02B6D01F | *8-02B6D01E | *9-02B6D01D | *A-02B6B016 | *B-02B6B01F | *C-02B6B01E |
| *D-02B6D01J | *E-02B6D01H | *F-02B6D01G | *G-02B6B01K | *H-02B6B01J | *J-02B6B01H |
| *K-02B6B03A | *L-02A0C15C | *M-01A3F23A | *N-02B6B03B | *O-02A0C17C | *P-01A3F23B |
| *Q-02B6B03C | | | | | |

COMMENTS

TAG DATE	E.C.NO.	TAG DATE	E.C.NO.	TAG DATE	E.C.NO.	TAG DATE	E.C.NO.
A 01-23-62	11383Q	B 12-13-62	11417G				

7771A
729044

0729045

A REG SET B CD A B CZ

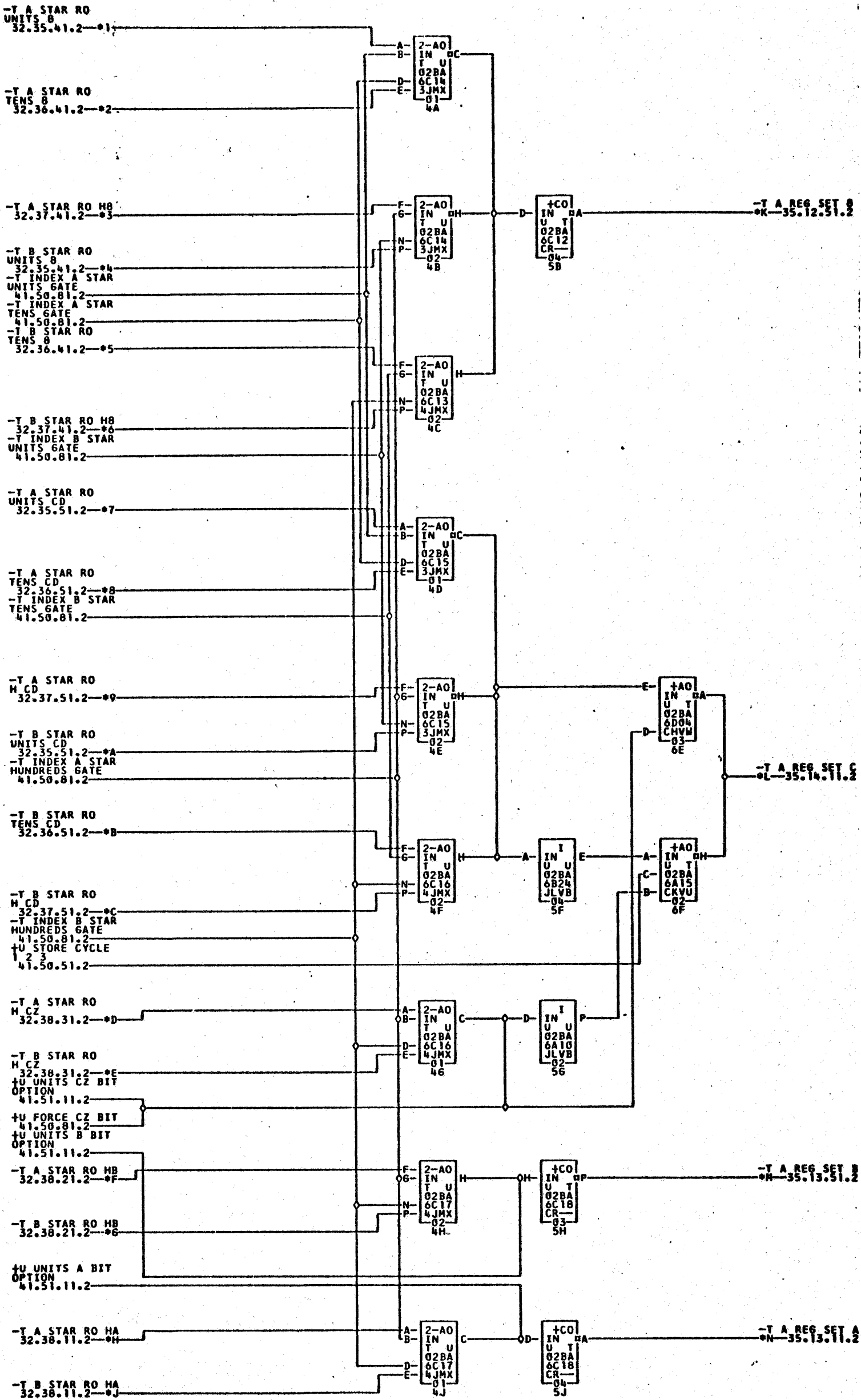
1601 IN

01.51.01.2

TAG DATE

A 28.4.62
TA 1233D

B 5.3.63
TA 1771A



- | | | | | | |
|-------------|-------------|-------------|-------------|-------------|-------------|
| *1-02B6D01M | *2-02B6D01L | *3-02B6D01K | *4-02B6B01N | *5-02B6B01M | *6-02B6B01L |
| *7-02B6D01O | *8-02B6D01P | *9-02B6D01N | *A-02B6B01R | *B-02B6B01Q | *C-02B6B01P |
| *D-02B6B01A | *E-02B6E01J | *F-02B6B02R | *G-02B6B02B | *H-02B6D01R | *J-02B6B02A |
| *K-02B6B03D | 02A0D01C | 01A3F23D | *L-02B6B03E | 02A0D07C | 01A3F23E |
| *M-02B6B03F | 02A0D05C | 01A3F23F | *N-02B6B03E | 02A0D03C | |

COMMENTS

TAG DATE	E.C.NO.	TAG DATE	E.C.NO.	TAG DATE	E.C.NO.	TAG DATE	E.C.NO.
A 01-23-62	113830	B 12-13-62	114176				

729045

0729046

A REG SET UNITS A B CZ

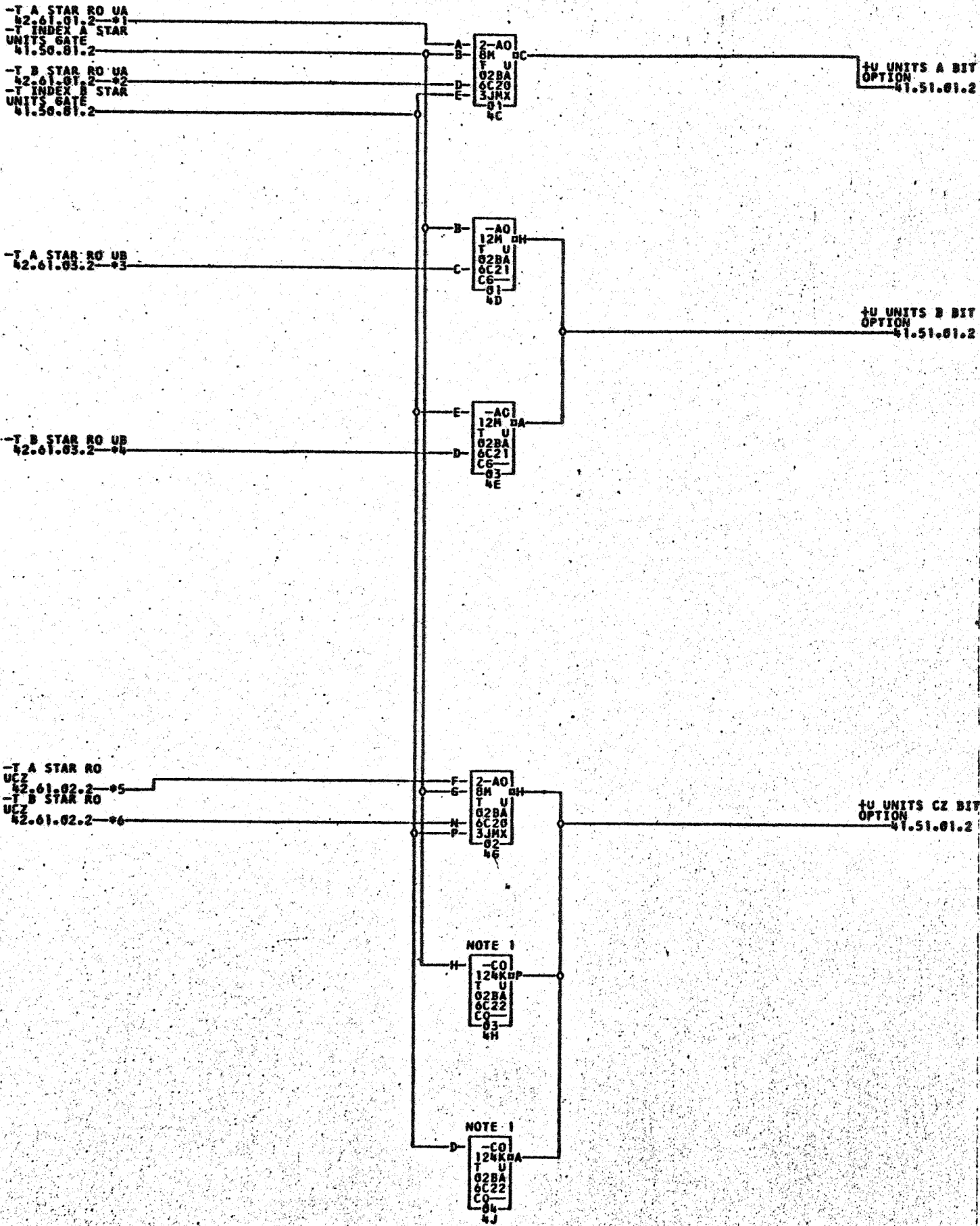
1401 IN

01.51.11.2

TAG DATE

A 28.4.62
TA 1233D

B 5.3.63
TA 1771A



*1-02B6E02A

*2-02B6E02B

*3-02B6E02E

*4-02B6E02F

*5-02B6E02C

*6-02B6E02D

NOTE 1 THIS CARD ADDED COMMENTS FOR 1.4K, 1.2K, OR ONLY

TAG DATE	E.C. NO.	TAG DATE	E.C. NO.	TAG DATE	E.C. NO.	TAG DATE	E.C. NO.
A 01-23-62	113830	B 12-13-62	114170				

729046

0729156

STORE INDEX CONTROL

1401 IN 41.51.31.2

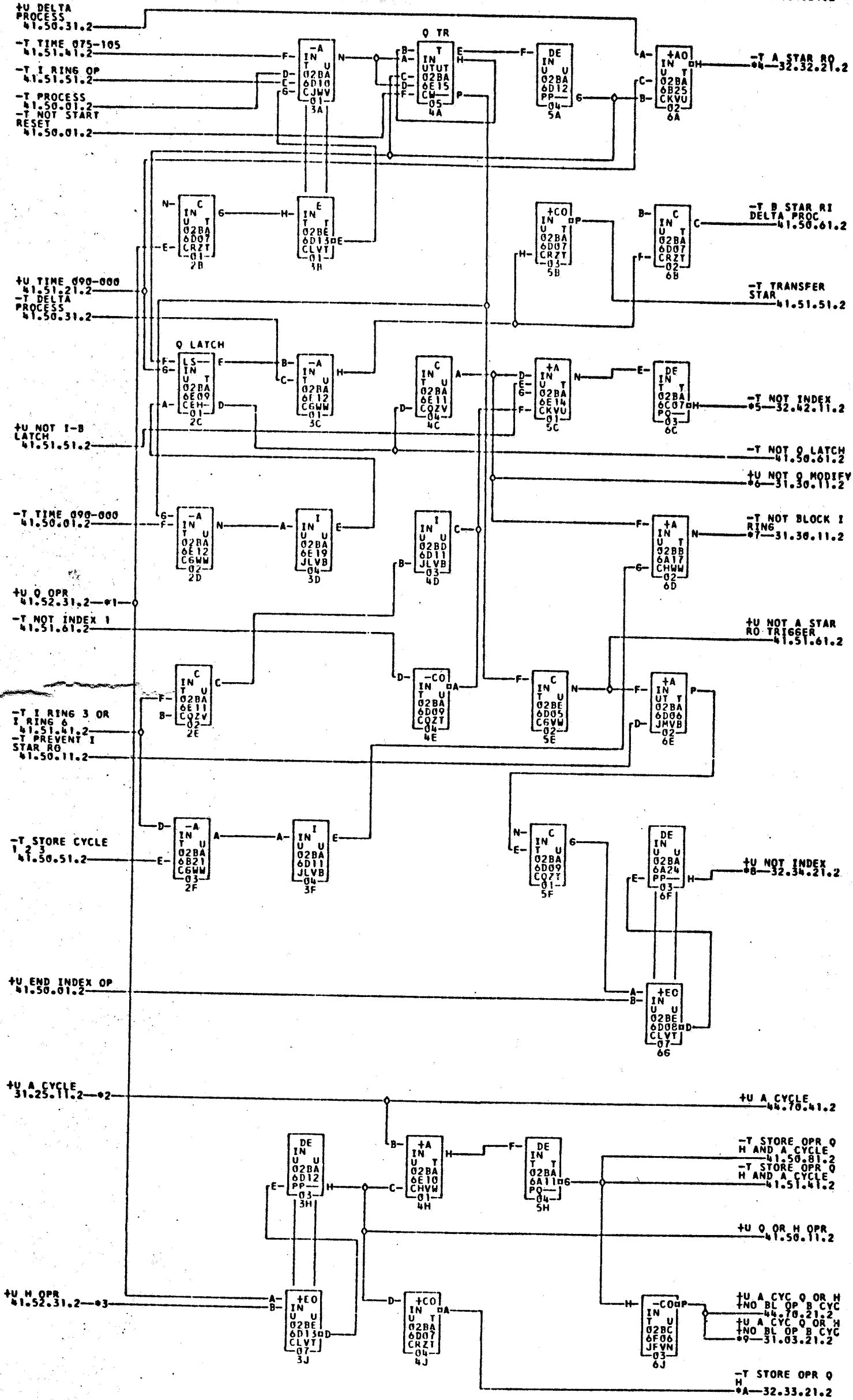
FAG DATE

D 14.11.62

TA 1631

E 5.3.63

TA 1771A



- *1-02B6C03C *2-02B6A01K *3-02B6C03B *4-02B6B02N 02A9C05B 01A7B24N
- *5-02B6E010 02A9C09E 01A8E260 *6-02B6A01R 02A0E05D 01B2A01R
- *7-02B6A010 02A0E03D 01B2A010 *8-02B6B02H 02A9B15B 01B2A010
- *9-02B6A01P 02A0E01D 01B2A01P *A-02B6B02Q 02A9C09B 01A7B24Q

COMMENTS

TAG	DATE	E.C.NO.	TAG	DATE	E.C.NO.	TAG	DATE	E.C.NO.	TAG	DATE	E.C.NO.
A	01-23-62	113830	B	03-23-62	114129	C	07-06-62	114154	D	08-28-62	114161
E	12-13-62	114176									

729156

0729157

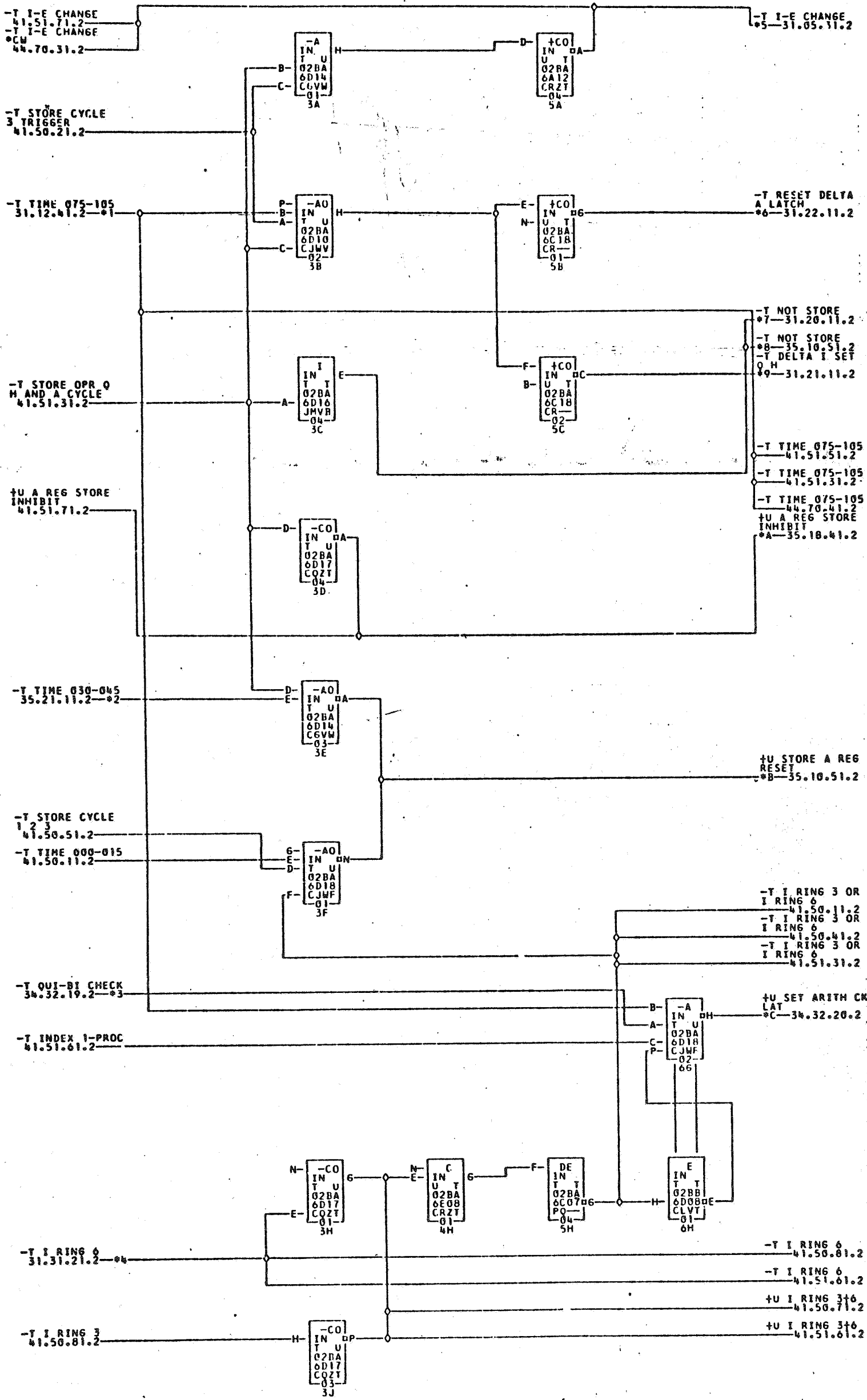
STORE CONTROLS

1401 IN 41.51.41.2

TAG DATE

A 26.4.62
TA 1233D

B 5.3.63
TA 1771A



- *1-02B6A03L
- *2-02B6C03R
- *3-02B6A03P
- 01B6F03J
- *4-02B6A01F
- *5-02B6A01H
- 02A0D17D
- 01B2A01M
- *6-02B6A02A
- 02A0C15E
- *7-02B6A02B
- 01B2A02B
- *8-02B6B03P
- 02A0E01C
- *9-02B6A01L
- 01A3F23P
- *A-02B6B03H
- 02A0D09C
- *B-02B6B03J
- *C-02B6A03N
- 02A9D15D
- 01B6F03L

COMMENTS

TAG DATE	E.C.NO.	TAG DATE	E.C.NO.	TAG DATE	E.C.NO.	TAG DATE	E.C.NO.
A 01-23-62	113830	B 12-13-62	114176				

729157

0729150

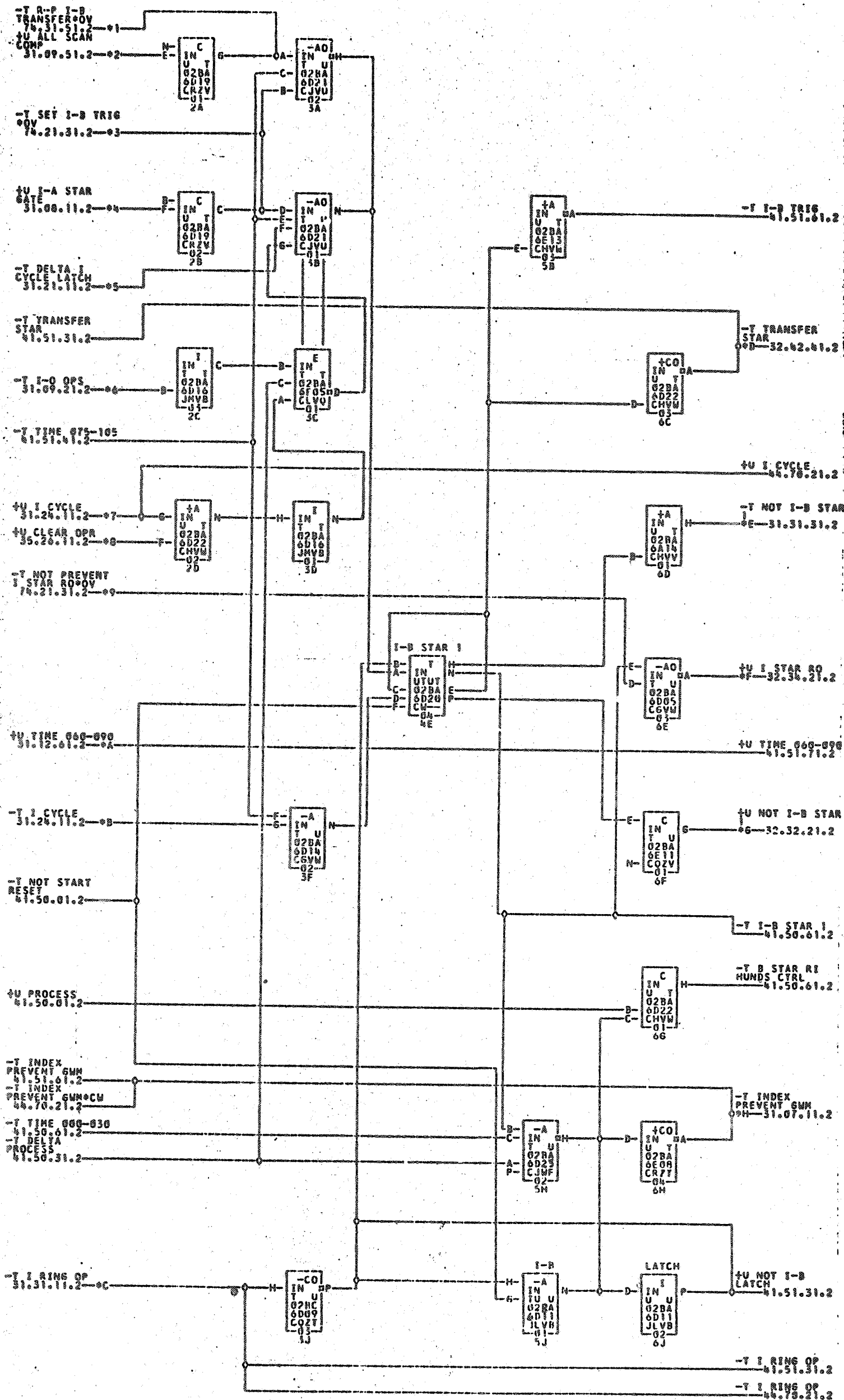
STORE I STAR

1401 IN 41.51.51.2

TAG DATE

12.12.62
TA 1631A

C 5.3.63
TA 1771A



- *1-02B6A03J
- *2-02B6A02C
- *3-02B6A01I
- *4-02B6A02D
- *5-02B6A03M
- *6-02B6A01A
- *7-02B6A02E
- *8-02B6A03A
- *9-02B6A03M
- *A-02B6A03A
- *B-02B6A02G
- *C-02B6A01A
- *D-02B6E01P
- *E-02B6A02H
- *F-02A9C07B
- *G-02A0D09E
- *H-02B6A02J
- *I-01A7B24P
- *J-01B2A02J
- *K-01A7B24P
- *L-01B2A02J
- *M-01A7B24P
- *N-01B2A02J
- *O-01A7B24P
- *P-01B2A02J
- *Q-01A7B24P
- *R-01B2A02J
- *S-01A7B24P
- *T-01B2A02J
- *U-01A7B24P
- *V-01B2A02J
- *W-01A7B24P
- *X-01B2A02J
- *Y-01A7B24P
- *Z-01B2A02J

COMMENTS

TAG DATE E.C.NO. TAG DATE E.C.NO. TAG DATE E.C.NO. TAG DATE E.C.NO.

A 01-23-62 113030 B 06-04-62 116166 C 12-13-62 116176

729158

0729159

INDEX J CONTROL

1401 IN

41.51.61.2

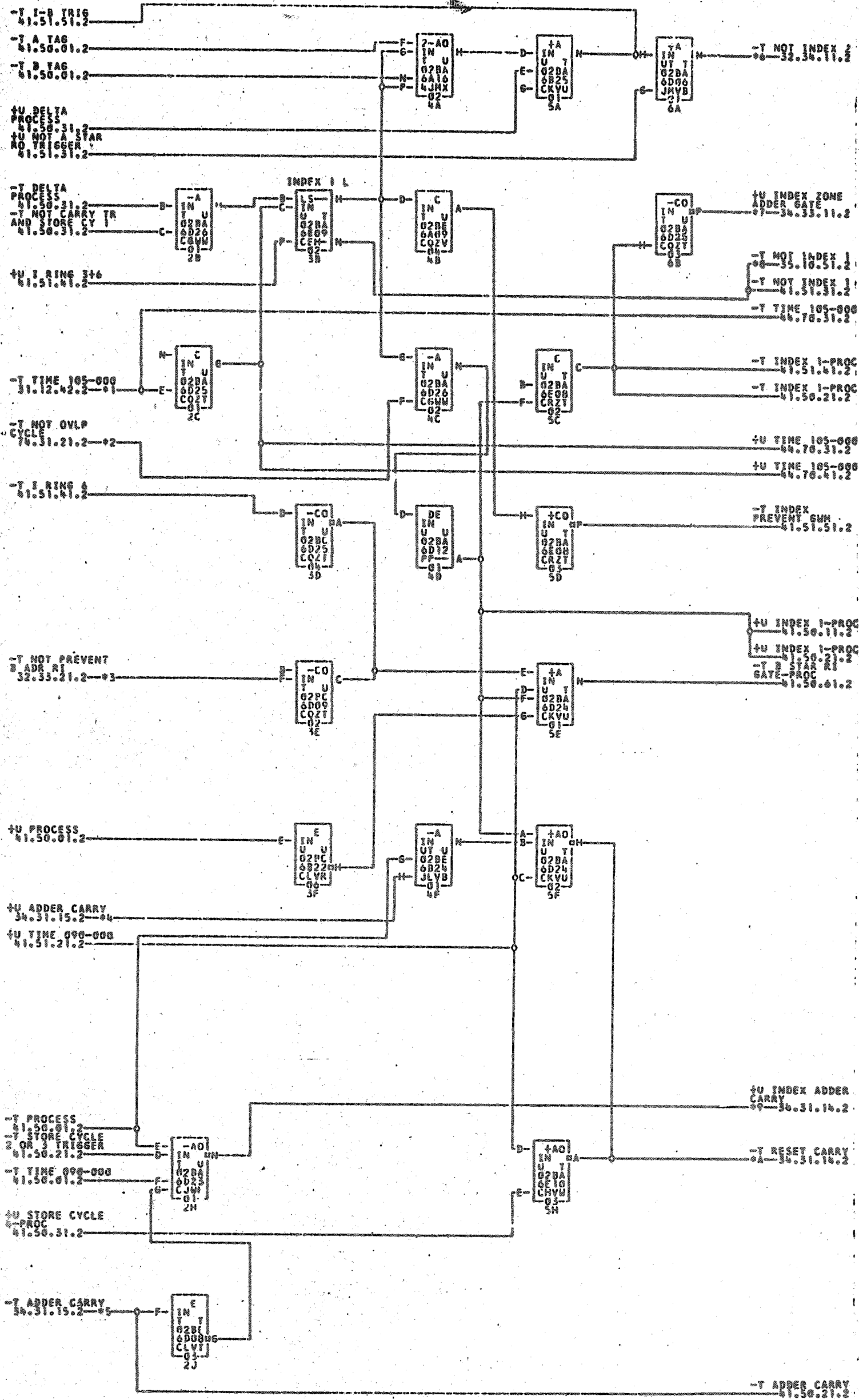
TAG DATE

D 14.11.62

TA 1631

E 5.3.63

TA 1771A



- 01-02B6A03M
- 02-02B6D026
- 03-02A9AH25
- 04-02B1F02J
- 05-02B6B025
- 06-02B6C02N
- 07-02B6C02L
- 08-02B6C02M
- 09-02B6C02Q
- 10-02B6C02P
- 11-02B6C02R
- 12-02B6C02S
- 13-02B6C02T
- 14-02B6C02U
- 15-02B6C02V
- 16-02B6C02W
- 17-02B6C02X
- 18-02B6C02Y
- 19-02B6C02Z

COMMENTS

TAG DATE	FIC NO.	TAG DATE	FIC NO.	TAG DATE	FIC NO.	TAG DATE	FIC NO.
A 01-23-62	113038	B 06-06-62	113146	C 07-06-62	113156	D 08-28-62	113161
E 12-13-62	113170						

729159

4271 A

