

474200

TABLE OF CONTENTS  
 1403 PRINTER SYSTEM DIAGRAM  
 MACHINE SERIAL NUMBER

PAGE NUMBER	NAME	PART NUMBER	ENG CHANGE NUMBER
00.01.0	INDEX	474200	112312B
00.02.1	SC-1 ASSIGNMENTS	474201	112312B
00.02.2	SC-2 ASSIGNMENTS	474202	113802
00.03.1	PP-1 ASSIGNMENTS	474203	110678B
00.04.1	TB LOCATIONS	804670	112312B
00.05.1	FUSE CHART AND RESISTOR PANEL ASSIGNMENTS	474204	112312B
01.01.1	ODD HAMMERS 1 TO 67	474205	113802
01.02.1	ODD HAMMERS 69 TO 131	474206	113802
01.03.1	EVEN HAMMERS 2 TO 68	474207	113802
01.04.1	EVEN HAMMERS 70 TO 132	474208	113802
01.05.1	VOLTAGE DISTRIBUTION	474209	112312B
01.06.1	OPERATORS CONTROLS AND INDICATORS	474210	112312B
01.07.1	INTERLOCKS AND INTERLOCK INDICATORS	474211	112312B
01.08.1	RIBBON CONTROL AND SENSE AMPLIFIER	474212	112312B
01.09.1	MOTOR CONTROL	474213	110678B
02.01.1	CARRIAGE CONTROL AND EMITTER	474214	112312B
02.02.1	SLOW BRUSHES	474215	112312B
02.03.1	STOP BRUSHES	474216	112312B

#13504

INTERNATIONAL BUSINESS MACHINES CORP.		DATE	CHANGE NO.	DATE	CHANGE NO.	NOTE	DEVELOPMENT NO.
NAME	SYSTEM DIAGRAM	SEE INDEX CARD		2-9-62	112312B	X PRINT TO ENG. SPEC. NO.	474200
DESIGN	00.01.0	3-6-61	110678B				
DETAIL	10-13-59 MODEL 1403	6-15-61	111980C				
CHECK	10-29-59 DRAW	7-12-61	111306J				
APPRO	10-30-59 CHECK	1-19-62	113802				
							00.01.0

474201

8 01.01.1 HAMMER RESP (RET) 9 & 11	7 01.01.1 HAMMER FIRE (DRV) 9	6 01.01.1 HAMMER FIRE (DRV) 7	5 01.01.1 HAMMER RESP (RET) 5 & 7	4 01.01.1 HAMMER FIRE (DRV) 5	3 01.01.1 HAMMER FIRE (DRV) 3	2 01.01.1 HAMMER RESP (RET) 1 & 3	1 01.01.1 HAMMER FIRE (DRV) 1
16 01.01.1 HAMMER FIRE (DRV) 21	15 01.01.1 HAMMER FIRE (DRV) 19	14 01.01.1 HAMMER RESP (RET) 17 & 19	13 01.01.1 HAMMER FIRE (DRV) 17	12 01.01.1 HAMMER FIRE (DRV) 15	11 01.01.1 HAMMER RESP (RET) 13 & 15	10 01.01.1 HAMMER FIRE (DRV) 13	9 01.01.1 HAMMER FIRE (DRV) 11
24 01.01.1 HAMMER FIRE (DRV) 31	23 01.01.1 HAMMER RESP (RET) 29 & 31	22 01.01.1 HAMMER FIRE (DRV) 29	21 01.01.1 HAMMER FIRE (DRV) 27	20 01.01.1 HAMMER RESP (RET) 25 & 27	19 01.01.1 HAMMER FIRE (DRV) 25	18 01.01.1 HAMMER FIRE (DRV) 23	17 01.01.1 HAMMER RESP (RET) 21 & 23
32 01.01.1 HAMMER RESP (RET) 41 & 43	31 01.01.1 HAMMER FIRE (DRV) 41	30 01.01.1 HAMMER FIRE (DRV) 39	29 01.01.1 HAMMER RESP (RET) 37 & 39	28 01.01.1 HAMMER FIRE (DRV) 37	27 01.01.1 HAMMER FIRE (DRV) 35	26 01.01.1 HAMMER RESP (RET) 33 & 35	25 01.01.1 HAMMER FIRE (DRV) 33
40 01.01.1 HAMMER FIRE (DRV) 53	39 01.01.1 HAMMER FIRE (DRV) 51	38 01.01.1 HAMMER RESP (RET) 49 & 51	37 01.01.1 HAMMER FIRE (DRV) 49	36 01.01.1 HAMMER FIRE (DRV) 47	35 01.01.1 HAMMER RESP (RET) 45 & 47	34 01.01.1 HAMMER FIRE (DRV) 45	33 01.01.1 HAMMER FIRE (DRV) 43
48 01.01.1 HAMMER FIRE (DRV) 63	47 01.01.1 HAMMER RESP (RET) 61 & 63	46 01.01.1 HAMMER FIRE (DRV) 61	45 01.01.1 HAMMER FIRE (DRV) 59	44 01.01.1 HAMMER RESP (RET) 57 & 59	43 01.01.1 HAMMER FIRE (DRV) 57	42 01.01.1 HAMMER FIRE (DRV) 55	41 01.01.1 HAMMER RESP (RET) 53 & 55
56 01.02.1 HAMMER RESP (RET) 73 & 75	55 01.02.1 HAMMER FIRE (DRV) 73	54 01.02.1 HAMMER FIRE (DRV) 71	53 01.02.1 HAMMER RESP (RET) 69 & 71	52 01.02.1 HAMMER FIRE (DRV) 69	51 01.01.1 HAMMER FIRE (DRV) 67	50 01.01.1 HAMMER RESP (RET) 65 & 67	49 01.01.1 HAMMER FIRE (DRV) 65
64 01.02.1 HAMMER FIRE (DRV) 85	63 01.02.1 HAMMER FIRE (DRV) 83	62 01.02.1 HAMMER RESP (RET) 81 & 83	61 01.02.1 HAMMER FIRE (DRV) 81	60 01.02.1 HAMMER FIRE (DRV) 79	59 01.02.1 HAMMER RESP (RET) 77 & 79	58 01.02.1 HAMMER FIRE (DRV) 77	57 01.02.1 HAMMER FIRE (DRV) 75
72 01.02.1 HAMMER FIRE (DRV) 95	71 01.02.1 HAMMER RESP (RET) 93 & 95	70 01.02.1 HAMMER FIRE (DRV) 93	69 01.02.1 HAMMER FIRE (DRV) 91	68 01.02.1 HAMMER RESP (RET) 89 & 91	67 01.02.1 HAMMER FIRE (DRV) 89	66 01.02.1 HAMMER FIRE (DRV) 87	65 01.02.1 HAMMER RESP (RET) 85 & 87
80 01.02.1 HAMMER RESP (RET) 105 & 107	79 01.02.1 HAMMER FIRE (DRV) 105	78 01.02.1 HAMMER FIRE (DRV) 103	77 01.02.1 HAMMER RESP (RET) 101 & 103	76 01.02.1 HAMMER FIRE (DRV) 101	75 01.02.1 HAMMER FIRE (DRV) 99	74 01.02.1 HAMMER RESP (RET) 97 & 99	73 01.02.1 HAMMER FIRE (DRV) 97
88 01.02.1 HAMMER FIRE (DRV) 117	87 01.02.1 HAMMER FIRE (DRV) 115	86 01.02.1 HAMMER RESP (RET) 113 & 115	85 01.02.1 HAMMER FIRE (DRV) 113	84 01.02.1 HAMMER FIRE (DRV) 111	83 01.02.1 HAMMER RESP (RET) 109 & 111	82 01.02.1 HAMMER FIRE (DRV) 109	81 01.02.1 HAMMER FIRE (DRV) 107
96 01.02.1 HAMMER FIRE (DRV) 127	95 01.02.1 HAMMER RESP (RET) 125 & 127	94 01.02.1 HAMMER FIRE (DRV) 125	93 01.02.1 HAMMER FIRE (DRV) 123	92 01.02.1 HAMMER RESP (RET) 121 & 123	91 01.02.1 HAMMER FIRE (DRV) 121	90 01.02.1 HAMMER FIRE (DRV) 119	89 01.02.1 HAMMER RESP (RET) 117 & 119
104 SPARE #18	103 SPARE #18	102 SPARE #18	101 SPARE #18	100 01.06.1 -6V RESTORE KEY	99 01.02.1 HAMMER FIRE (DRV) 131	98 01.02.1 HAMMER RESP (RET) 129 & 131	97 01.02.1 HAMMER FIRE (DRV) 129
112 01.05.1 SHIELD GND	111 01.05.1 SHIELD GND	110 SPARE #18	109 01.05.1 -20V	108 SPARE #18	107 SPARE #18	106 SPARE #18	105 SPARE #18
120 01.06.1 -T START RELAY CTRL	119 01.07.1 HIGH SPEED STOP IND (DRIVE)	118 01.07.1 LOW SPEED STOP IND (DRIVE)	117 01.06.1 +T (-S) FORMS CHECK OR CARR. STOP	116 01.07.1 HIGH SPEED START IND (DRIVE)	115 01.07.1 LOW SPEED START IND (DRIVE)	114 SPARE #20	113 SPARE #20
128 SPARE #20	127 01.07.1 CARRIAGE INLK	126 SPARE #20	125 SPARE #20	124 01.05.1 DC GND RETURN	123 SPARE #20	122 SPARE #20	121 01.05.1 -12V
136 01.06.1 -T START RELAY	135 SPARE #20	134 01.07.1 END OF FORMS	133 01.07.1 CHAIN MOTOR RELAY	132 01.09.1 PRINT CONN INLK 1	131 SPARE #20	130 01.06.1 +U (+S) PRINT READY IND	129 SPARE #20
144 01.06.1 +T (+S) CHECK RESET	143 01.08.1 +12V	142 01.08.1 SENSE AMP 2	141 01.08.1 SENSE AMP 1	140 01.05.1 -6V	139 01.05.1 +6V	138 01.06.1 -T (-S) RESTORE KEY	137 01.06.1 +U (+S) RESTORE KEY
152 01.06.1 +U (+S) SINGLE CYCLE PRINT	151 01.06.1 -T (-S) SINGLE CYCLE PRINT	150 01.06.1 PRINT CHECK IND	149 01.06.1 -T (+S) PR STOP KEY	148 01.06.1 -6V (-12V)	147 01.06.1 +6V (-12V)	146 SPARE #20	145 SPARE #20
160 01.06.1 +U (+S) SYNC CHECK IND	159 01.06.1 +U (+C) END OF FORMS IND	158 SPARE #20	157 01.06.1 -T (-S) SPACE KEY	156 01.06.1 +U (+S) SPACE KEY	155 01.06.1 +6V (DC GND)	154 01.06.1 +U (+S) NOT PR START KEY	153 01.06.1 +U PR START KEY

WIRING SIDE  
FIXED MOUNT

NOTE

X NOTATIONS IN PARENTHESES APPLY WHEN  
PRINTER IS USED WITH 1410 SYSTEM

INTERNATIONAL BUSINESS MACHINES CORP.		DATE	CHANGE NO.	DATE	CHANGE NO.	NOTE	DEVELOPMENT NO.
NAME	SYSTEM DIAGRAM	11/13/59	106002-M	1-19-62	113802		
	00.02.1	1-20-60	108131-A	2-9-62	112312B		
DESIGN	10-15-59 MODEL 1403	3-17-60	108432B				
DETAIL	10-15-59	5-13-60	108465A				
CHECK	10-29-59 DRAW	10-5-60	110140A				
APPROVED	10-30-59 CHECK						00.02.1

474201

SC-2

474202

8 01.03.1 HAMMER RESP (RET) 10 & 12	7 01.03.1 HAMMER FIRE (DRV) 10	6 01.03.1 HAMMER FIRE (DRV) 8	5 01.03.1 HAMMER RESP (RET) 6 & 8	4 01.03.1 HAMMER FIRE (DRV) 6	3 01.03.1 HAMMER FIRE (DRV) 4	2 01.03.1 HAMMER RESP (RET) 2 & 4	1 01.03.1 HAMMER FIRE (DRV) 2
16 01.03.1 HAMMER FIRE (DRV) 22	15 01.03.1 HAMMER FIRE (DRV) 20	14 01.03.1 HAMMER RESP (RET) 18 & 20	13 01.03.1 HAMMER FIRE (DRV) 18	12 01.03.1 HAMMER FIRE (DRV) 16	11 01.03.1 HAMMER RESP (RET) 14 & 16	10 01.03.1 HAMMER FIRE (DRV) 14	9 01.03.1 HAMMER FIRE (DRV) 12
24 01.03.1 HAMMER FIRE (DRV) 32	23 01.03.1 HAMMER RESP (RET) 30 & 32	22 01.03.1 HAMMER FIRE (DRV) 30	21 01.03.1 HAMMER FIRE (DRV) 28	20 01.03.1 HAMMER RESP (RET) 26 & 28	19 01.03.1 HAMMER FIRE (DRV) 26	18 01.03.1 HAMMER FIRE (DRV) 24	17 01.03.1 HAMMER RESP (RET) 22 & 24
32 01.03.1 HAMMER RESP (RET) 42 & 44	31 01.03.1 HAMMER FIRE (DRV) 42	30 01.03.1 HAMMER FIRE (DRV) 40	29 01.03.1 HAMMER RESP (RET) 38 & 40	28 01.03.1 HAMMER FIRE (DRV) 38	27 01.03.1 HAMMER FIRE (DRV) 36	26 01.03.1 HAMMER RESP (RET) 34 & 36	25 01.03.1 HAMMER FIRE (DRV) 34
40 01.03.1 HAMMER FIRE (DRV) 54	39 01.03.1 HAMMER FIRE (DRV) 52	38 01.03.1 HAMMER RESP (RET) 50 & 52	37 01.03.1 HAMMER FIRE (DRV) 50	36 01.03.1 HAMMER FIRE (DRV) 48	35 01.03.1 HAMMER RESP (RET) 46 & 48	34 01.03.1 HAMMER FIRE (DRV) 46	33 01.03.1 HAMMER FIRE (DRV) 44
48 01.03.1 HAMMER FIRE (DRV) 64	47 01.03.1 HAMMER RESP (RET) 62 & 64	46 01.03.1 HAMMER FIRE (DRV) 62	45 01.03.1 HAMMER FIRE (DRV) 60	44 01.03.1 HAMMER RESP (RET) 58 & 60	43 01.03.1 HAMMER FIRE (DRV) 58	42 01.03.1 HAMMER FIRE (DRV) 56	41 01.03.1 HAMMER RESP (RET) 54 & 56
56 01.04.1 HAMMER RESP (RET) 74 & 76	55 01.04.1 HAMMER FIRE (DRV) 74	54 01.04.1 HAMMER FIRE (DRV) 72	53 01.04.1 HAMMER RESP (RET) 70 & 72	52 01.04.1 HAMMER FIRE (DRV) 70	51 01.03.1 HAMMER FIRE (DRV) 68	50 01.03.1 HAMMER RESP (RET) 66 & 68	49 01.03.1 HAMMER FIRE (DRV) 66
64 01.04.1 HAMMER FIRE (DRV) 86	63 01.04.1 HAMMER FIRE (DRV) 84	62 01.04.1 HAMMER RESP (RET) 82 & 84	61 01.04.1 HAMMER FIRE (DRV) 82	60 01.04.1 HAMMER FIRE (DRV) 80	59 01.04.1 HAMMER RESP (RET) 78 & 80	58 01.04.1 HAMMER FIRE (DRV) 78	57 01.04.1 HAMMER FIRE (DRV) 76
72 01.04.1 HAMMER FIRE (DRV) 96	71 01.04.1 HAMMER RESP (RET) 94 & 96	70 01.04.1 HAMMER FIRE (DRV) 94	69 01.04.1 HAMMER FIRE (DRV) 92	68 01.04.1 HAMMER RESP (RET) 90 & 92	67 01.04.1 HAMMER FIRE (DRV) 90	66 01.04.1 HAMMER FIRE (DRV) 88	65 01.04.1 HAMMER RESP (RET) 86 & 88
80 01.04.1 HAMMER RESP (RET) 106 & 108	79 01.04.1 HAMMER FIRE (DRV) 106	78 01.04.1 HAMMER FIRE (DRV) 104	77 01.04.1 HAMMER RESP (RET) 102 & 104	76 01.04.1 HAMMER FIRE (DRV) 102	75 01.04.1 HAMMER FIRE (DRV) 100	74 01.04.1 HAMMER RESP (RET) 98 & 100	73 01.04.1 HAMMER FIRE (DRV) 98
88 01.04.1 HAMMER FIRE (DRV) 118	87 01.04.1 HAMMER FIRE (DRV) 116	86 01.04.1 HAMMER RESP (RET) 114 & 116	85 01.04.1 HAMMER FIRE (DRV) 114	84 01.04.1 HAMMER FIRE (DRV) 112	83 01.04.1 HAMMER RESP (RET) 110 & 112	82 01.04.1 HAMMER FIRE (DRV) 110	81 01.04.1 HAMMER FIRE (DRV) 108
96 01.04.1 HAMMER FIRE (DRV) 128	95 01.04.1 HAMMER RESP (RET) 126 & 128	94 01.04.1 HAMMER FIRE (DRV) 126	93 01.04.1 HAMMER FIRE (DRV) 124	92 01.04.1 HAMMER RESP (RET) 122 & 124	91 01.04.1 HAMMER FIRE (DRV) 122	90 01.04.1 HAMMER FIRE (DRV) 120	89 01.04.1 HAMMER RESP (RET) 118 & 120
104 SPARE #18	103 SPARE #18	102 SPARE #18	101 SPARE #18	100 SPARE #18	99 01.04.1 HAMMER FIRE (DRV) 132	98 01.04.1 HAMMER RESP (RET) 130 & 132	97 01.04.1 HAMMER FIRE (DRV) 130
112 01.05.1 SHIELD GND	111 01.05.1 SHIELD GND	110 SPARE #18	109 SPARE #18	108 SPARE #18	107 SPARE #18	106 SPARE #18	105 SPARE #18
120 SPARE #20	119 SPARE #20	118 SPARE #20	117 SPARE #20	116 SPARE #20	115 SPARE #20	114 SPARE #20	113 SPARE #20
128 SPARE #20	127 SPARE #20	126 01.07.1 -60V CONTROLLED	125 01.09.1 PRINT CONN INTLK 2	124 SPARE #20	123 SPARE #20	122 SPARE #20	121 SPARE #20
136 02.02.1 SLOW BRUSH 7	135 02.02.1 SLOW BRUSH 6	134 02.02.1 SLOW BRUSH 5	133 02.02.1 SLOW BRUSH 4	132 02.02.1 SLOW BRUSH 3	131 02.02.1 SLOW BRUSH 2	130 02.02.1 SLOW BRUSH 1	129 SPARE #20
144 02.03.1 STOP BRUSH 3	143 02.03.1 STOP BRUSH 2	142 02.03.1 STOP BRUSH 1	141 02.02.1 SLOW BRUSH 12	140 02.02.1 SLOW BRUSH 11	139 02.02.1 SLOW BRUSH 10	138 02.02.1 SLOW BRUSH 9	137 02.02.1 SLOW BRUSH 8
152 02.03.1 STOP BRUSH 11	151 02.03.1 STOP BRUSH 10	150 02.03.1 STOP BRUSH 9	149 02.03.1 STOP BRUSH 8	148 02.03.1 STOP BRUSH 7	147 02.03.1 STOP BRUSH 6	146 02.03.1 STOP BRUSH 5	145 02.03.1 STOP BRUSH 4
160 01.06.1 +U (+C) FORMS CHECK IND	159 02.01.1 EMITTER	158 02.01.1 HIGH SPEED STOP	157 02.01.1 HIGH SPEED START	156 02.01.1 LOW SPEED STOP	155 02.01.1 LOW SPEED START	154 SPARE #20	153 02.03.1 STOP BRUSH 12

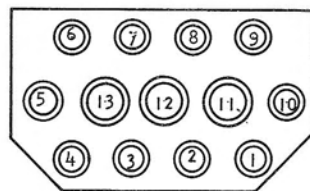
NOTE  
WIRING SIDE FIXED MOUNT X NOTATIONS IN PARENTHESIS APPLY WHEN PRINTER IS USED WITH 1410 SYSTEM

INTERNATIONAL BUSINESS MACHINES CORP.		DATE	CHANGE NO.	DATE	CHANGE NO.	NOTE	DEVELOPMENT NO.
NAME	SYSTEM DIAGRAM	11/13/59	106002-M				
	00.02.2						
DESIGN	10-16-59 MODEL 1403	1-20-60	108131-A				
DETAIL	10-16-59	3-17-60	108432B				
CHECK	10-29-59 DRAW	1-19-62	113802				
APPROVED	10-30-59 CHECK						00.02.2

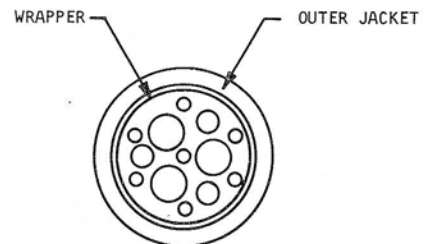
474202

PP-1 PRINTER POWER

POWER PLUG PIN ASSIGNMENTS				
PIN NO	PRINTER VOLTAGE OR CONTROL	POWER CABLE		SYSTEM PAGE
		WIRE SIZE	TYPE	
1	AC OUTLET - 115 VOLTS	14	AC	01.05.1
2	AC OUTLET - 115 VOLTS	14	AC	01.05.1
3	BOND	14		01.05.1
4	-60 VOLTS	18	DC	01.05.1
5	SPARE (50 CYCLE NEUTRAL)	18	AC	01.09.1
6	SPARE	18		
7	SPARE	18		
8	208V $\phi$ 2 - CHAIN AND RIBBON MOTOR	18	AC	01.09.1
9	208V $\phi$ 3 - CHAIN AND RIBBON MOTOR	18	AC	01.09.1
10	SPARE	18		
11	208V $\phi$ 1	10	AC	01.09.1
12	208V $\phi$ 2 CARRIAGE MOTOR	10	AC	01.09.1
13	208V $\phi$ 3 CARRIAGE MOTOR	10	AC	01.09.1



PIN LAYOUT-POWER PLUG WIRING SIDE



POWER CABLE CROSS SECTION VIEW

POWER PLUG ASSIGNMENTS

INTERNATIONAL BUSINESS MACHINES CORP.		DATE	CHANGE NO.	DATE	CHANGE NO.	NOTE	DEVELOPMENT NO.
NAME	SYSTEM DIAGRAM	11/13/59	106002-M			X PRINT TO ENG. SPEC. NO.	
	00.03.1	3-6-61	110678B				
DESIGN	10-16-59 MODEL 1403						
DETAIL	10-16-59						
CHECK	10-29-59 DRAW						
APPROVED	11-20-59 CHECK						00.03.1



804670

00.04.1

TERMINAL BLOCKS				
T.B. NO.	NO. OF TERMS	W. D. LOC.	DESCRIPTION	PHYSICAL LOCATION
1	10	01.05.1	DC INPUT VOLTAGES	MACHINE PAN - REAR - NEAR FUSE PANEL
2	8	02.01.1	CARRIAGE MAGNETS	UNDER HYDRAULIC RESERVOIR COVER
3	4	01.07.1	FORMS SWITCHES & HAMMER UNIT THERMAL	ON LEFT SIDE FRAME - INSIDE AT TOP
4	4	01.09.1	HAMMER UNIT BLOWER	ON MOTOR FRAME IN UPPER RIGHT REAR OF MACHINE
5	2	01.09.1	RIBBON MOTOR	RIGHT SIDE OF RIBBON DRIVE ASSEMBLY
6	4	01.08.1	RIBBON CLUTCH COILS	RIGHT SIDE OF RIBBON DRIVE ASSEMBLY
7	6	01.08.1	CHAIN MOTOR	LEFT END OF "T" CASTING - INSIDE
8	2	01.07.1	CHAIN MOTOR THERMAL	LEFT END OF "T" CASTING - INSIDE
9	4	01.09.1	HYDRAULIC UNIT BLOWER (50 CY. ONLY)	ON MANIFOLD ASSEMBLY LEFT SIDE OF MACHINE
10	5	01.07.1	UPPER FORMS SWITCHES	ON TRANSLATOR FRAME - BEHIND UPPER TRACTORS
11	5	01.07.1	LOWER FORMS SWITCHES	ON TRANSLATOR FRAME - BEHIND LOWER TRACTORS

## TERMINAL BLOCK LOCATIONS

INTERNATIONAL BUSINESS MACHINES CORP.		DATE	CHANGE NO.	DATE	CHANGE NO.	NOTE	DEVELOPMENT NO.
NAME	SYSTEM DIAGRAM	29 62	112312 B			X PRINT TO ENG. SPEC. NO.	
	00.04.1						
DESIGN	Zas 7162	MODEL	1403				
DETAIL							
CHECK		DRAW					
APPRO	EAD 2-8-62	CHECK					

00.04.1

804670

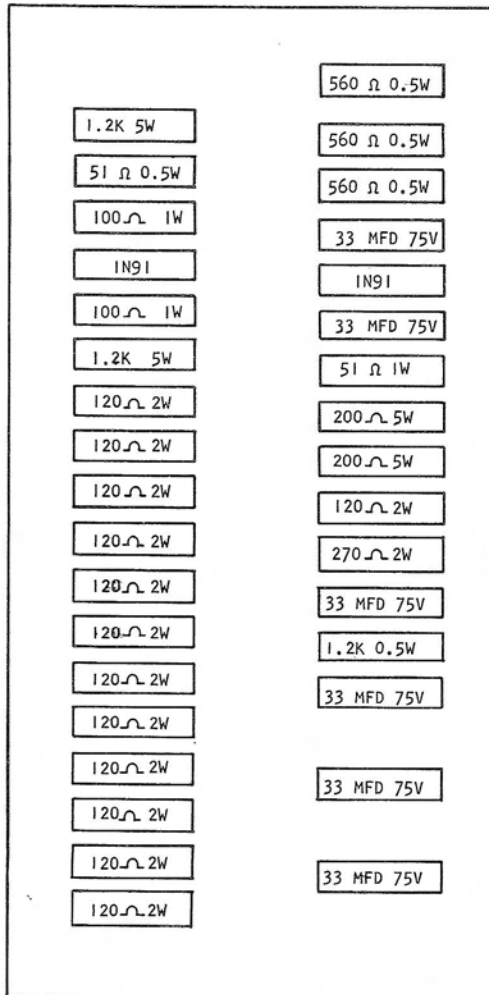
474204

FUSE CHART

00.05.1

NO	FUNCTION	TYPE	RATING	PART NUMBER	SYSTEM PAGE
1	208V Ø 1	FNM	5A	107666	01.09.1
2	208V Ø 2	FNM	5A	107666	01.09.1
3	208V Ø 3	FNM	5A	107666	01.09.1
4	CHAIN AND RIBBON MOTOR	FNM	1.25A	252592	01.09.1
5	CHAIN & RIBBON MOTOR	FNM	1.25A	252592	01.09.1
6	SPARE				
7	SPARE				
8	HIGH SPEED START MAGNET	AGC	1.5A	111256	02.01.1
9	HIGH SPEED STOP MAGNET	AGC	1.5A	111256	02.01.1
10	LOW SPEED START MAGNET	AGC	1.5A	111256	02.01.1
11	LOW SPEED STOP MAGNET	AGC	1.5A	111256	02.01.1
12	SPARE				
13	SPARE				
14	CHAIN MOTOR THERMAL	FNA	.1A	322779	01.07.1
15	HAMMER UNIT THERMAL	FNA	.1A	322779	01.07.1
16	SPARE				
17	SPARE				

RP NO.	SYSTEM PAGE
1	01.07.1
2	01.07.1
3	01.08.1
4	01.08.1
5	01.08.1
6	01.07.1
7	02.03.1
8	02.03.1
9	02.03.1
10	02.03.1
11	02.03.1
12	02.03.1
13	02.03.1
14	02.03.1
15	02.03.1
16	02.03.1
17	02.03.1
18	02.03.1



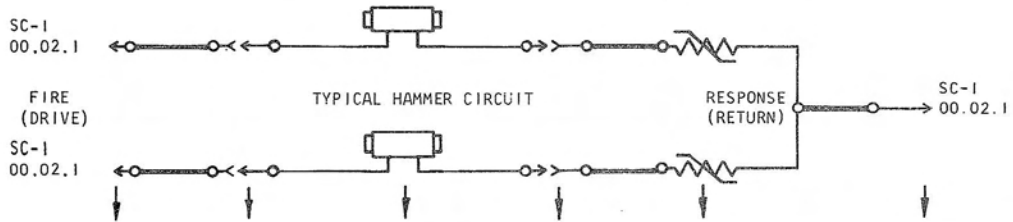
RP NO.	SYSTEM PAGE
19	01.06.1
20	01.06.1
21	01.06.1
22	01.08.1
23	01.08.1
24	01.08.1
25	01.08.1
26	02.02.1
27	02.02.1
28	02.01.1
29	01.06.1
30	02.01.1
31	01.06.1
32	02.01.1
33	
34	02.01.1
35	
36	02.01.1
37	

FUSE CHART AND RESISTOR PANEL ASSIGNMENTS

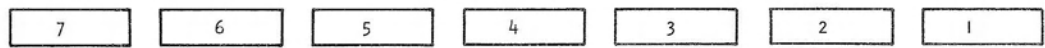
INTERNATIONAL BUSINESS MACHINES CORP.			DATE	CHANGE NO.	DATE	CHANGE NO.	NOTE	DEVELOPMENT NO.
NAME	SYSTEM DIAGRAM		11/13/59	106002-M	10-5-60	110140A	X PRINT TO ENG. SPEC. NO.	00.05.1
DESIGNER	10-20-59		1-20-60	108131A	6-15-61	111980C		
DETAILS	10-20-59		3-17-60	108432B	7-12-61	111306J		
CHECKED	10-29-59		5-13-60	108465A	2-9-62	112312B		
APPROVED	10-30-59		7-13-60	109248B				
	DRAW							
	CHECK							

474204

474205



HAMMER FIRE (DRIVE) SC #	HAMMER UNIT CONNECTORS	HAMMER COIL NO	HAMMER UNIT CONNECTORS	THERMISTOR NUMBER	HAMMER RESP (RETURN) SC #
1-1	OC-1-C	1	OC-1-F	1	1-2
1-3	OC-1-B	3	OC-1-E	3	
1-4	OC-1-A	5	OC-1-D	5	
1-6	OC-1-K	7	OC-1-N	7	1-5
1-7	OC-1-J	9	OC-1-M	9	
1-9	OC-1-H	11	OC-1-L	11	1-8
1-10	OC-1-S	13	OC-1-V	13	
1-12	OC-1-R	15	OC-1-U	15	
1-13	OC-1-P	17	OC-1-T	17	1-11
1-15	OC-2-C	19	OC-2-F	19	
1-16	OC-2-B	21	OC-2-E	21	1-14
1-18	OC-2-A	23	OC-2-D	23	
1-19	OC-2-K	25	OC-2-N	25	
1-21	OC-2-J	27	OC-2-M	27	1-17
1-22	OC-2-H	29	OC-2-L	29	
1-24	OC-2-S	31	OC-2-V	31	1-20
1-25	OC-2-R	33	OC-2-U	33	
1-27	OC-2-P	35	OC-2-T	35	
1-28	OC-2-X	37	OC-2-W	37	1-23
1-30	OC-3-C	39	OC-3-F	39	
1-31	OC-3-E	41	OC-3-E	41	1-26
1-33	OC-3-A	43	OC-3-D	43	
1-34	OC-3-K	45	OC-3-N	45	
1-36	OC-3-J	47	OC-3-M	47	1-32
1-37	OC-3-H	49	OC-3-L	49	
1-39	OC-3-S	51	OC-3-V	51	1-35
1-40	OC-3-R	53	OC-3-U	53	
1-42	OC-3-P	55	OC-3-T	55	
1-43	OC-4-C	57	OC-4-F	57	1-38
1-45	OC-4-B	59	OC-4-E	59	
1-46	OC-4-A	61	OC-4-D	61	1-41
1-48	OC-4-K	63	OC-4-N	63	
1-49	OC-4-J	65	OC-4-M	65	
1-51	OC-4-H	67	OC-4-L	67	1-44
					1-47
					1-50



HAMMER UNIT CONNECTOR LAYOUT

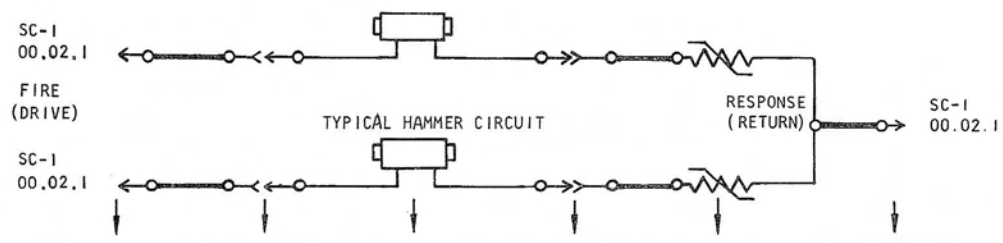
NOTE: OC = ODD CONNECTOR

NOTE X NOTATIONS IN PARENTHESIS APPLY WHEN PRINTER IS USED WITH 1410 SYSTEM.

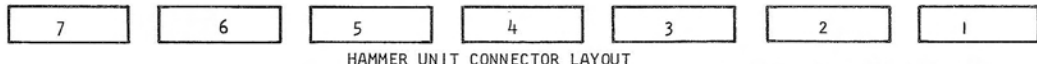
ODD HAMMERS 1 TO 67

INTERNATIONAL BUSINESS MACHINES CORP.		DATE	CHANGE NO.	DATE	CHANGE NO.	NOTE	DEVELOPMENT NO.
NAME	SYSTEM DIAGRAM	11/13/59	106002-M				474205
	01.01.1	3-6-61	110678B				
DESIGN	10-19-59 MODEL 1403	1-19-62	113802				
DETAIL	10-19-59						
CHECK	10-27-59 DRAW						
APPROV	10-30-59 CHECK					01.01.1	

474206



HAMMER FIRE (DRIVE) SC#	HAMMER UNIT CONNECTOR	HAMMER COIL NO	HAMMER UNIT CONNECTOR	THERMISTOR NUMBER	HAMMER RESP (RETURN) SC#
1-52	OC-4-S	69	OC-4-V	69	1-53
1-54	OC-4-R	71	OC-4-U	71	
1-55	OC-4-P	73	OC-4-T	73	1-56
1-57	OC-4-X	75	OC-4-W	75	
1-58	OC-5-C	77	OC-5-F	77	1-59
1-60	OC-5-B	79	OC-5-E	79	
1-61	OC-5-A	81	OC-5-D	81	1-62
1-63	OC-5-K	83	OC-5-N	83	
1-64	OC-5-J	85	OC-5-M	85	1-65
1-66	OC-5-H	87	OC-5-L	87	
1-67	OC-5-S	89	OC-5-V	89	1-68
1-69	OC-5-R	91	OC-5-U	91	
1-70	OC-5-P	93	OC-5-T	93	1-71
1-72	OC-6-C	95	OC-6-F	95	
1-73	OC-6-B	97	OC-6-E	97	1-74
1-75	OC-6-A	99	OC-6-D	99	
1-76	OC-6-K	101	OC-6-H	101	1-77
1-78	OC-6-J	103	OC-6-M	103	
1-79	OC-6-H	105	OC-6-L	105	1-80
1-81	OC-6-S	107	OC-6-V	107	
1-82	OC-6-R	109	OC-6-U	109	1-83
1-84	OC-6-P	111	OC-6-T	111	
1-85	OC-6-X	113	OC-6-W	113	1-86
1-87	OC-7-C	115	OC-7-F	115	
1-88	OC-7-B	117	OC-7-E	117	1-89
1-90	OC-7-A	119	OC-7-D	119	
1-91	OC-7-K	121	OC-7-H	121	1-92
1-93	OC-7-J	123	OC-7-M	123	
1-94	OC-7-H	125	OC-7-L	125	1-95
1-96	OC-7-S	127	OC-7-V	127	
1-97	OC-7-R	129	OC-7-U	129	1-98
1-99	OC-7-P	131	OC-7-T	131	



HAMMER UNIT CONNECTOR LAYOUT

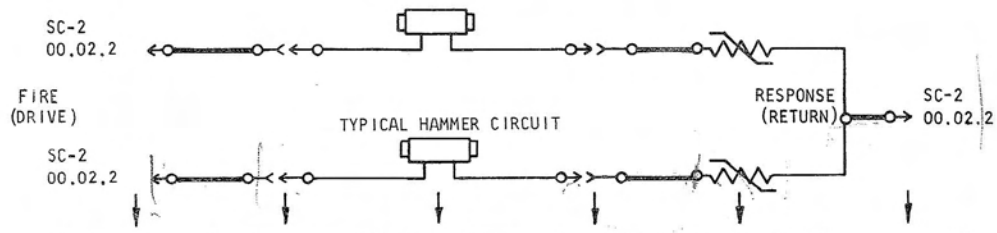
NOTE: OC = ODD CONNECTOR

NOTE  
X NOTATIONS IN PARENTHESIS APPLY WHEN PRINTER IS USED WITH 1410 SYSTEM

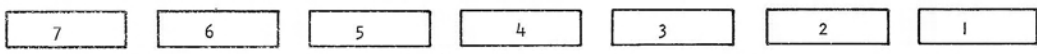
ODD HAMMERS 69 TO 131

INTERNATIONAL BUSINESS MACHINES CORP.		DATE	CHANGE NO.	DATE	CHANGE NO.	NOTE	DEVELOPMENT NO.
NAME	SYSTEM DIAGRAM	11/13/59	106002-M				474206
	01.02.1	3-6-61	110678B				
DESIGN	10-19-59 MODEL 1403	1-19-62	113802				
DETAK	10-19-59						
CHECK	10-28-59 DRAW						
APPROV	10-30-59 CHECK						
							01.02.1

474207



HAMMER FIRE (DRIVE) SC#	HAMMER UNIT CONNECTOR	HAMMER COIL NO	HAMMER UNIT CONNECTOR	THERMISTOR NUMBER	HAMMER RESP (RETURN) SC#
2-1	EC-1-C	2	EC-1-F	2	2-2
2-3	EC-1-B	4	EC-1-E	4	
2-4	EC-1-A	6	EC-1-D	6	2-5
2-6	EC-1-K	8	EC-1-N	8	
2-7	EC-1-J	10	EC-1-M	10	2-8
2-9	EC-1-H	12	EC-1-L	12	
2-10	EC-1-S	14	EC-1-V	14	2-11
2-12	EC-1-R	16	EC-1-U	16	
2-13	EC-1-P	18	EC-1-T	18	2-14
2-15	EC-2-C	20	EC-2-F	20	
2-16	EC-2-B	22	EC-2-E	22	2-17
2-18	EC-2-A	24	EC-2-D	24	
2-19	EC-2-K	26	EC-2-H	26	2-20
2-21	EC-2-J	28	EC-2-M	28	
2-22	EC-2-H	30	EC-2-L	30	2-23
2-24	EC-2-S	32	EC-2-V	32	
2-25	EC-2-R	34	EC-2-U	34	2-26
2-27	EC-2-P	36	EC-2-T	36	
2-28	EC-2-X	38	EC-2-W	38	2-29
2-30	EC-3-C	40	EC-3-F	40	
2-31	EC-3-E	42	EC-3-E	42	2-32
2-33	EC-3-A	44	EC-3-D	44	
2-34	EC-3-K	46	EC-3-I	46	2-35
2-36	EC-3-J	48	EC-3-M	48	
2-37	EC-3-H	50	EC-3-L	50	2-38
2-39	EC-3-S	52	EX-3-V	52	
2-40	EC-3-R	54	EC-3-U	54	2-41
2-42	EC-3-P	56	EC-3-T	56	
2-43	EC-4-C	58	EC-4-F	58	2-44
2-45	EC-4-B	60	EC-4-E	60	
2-46	EC-4-A	62	EC-4-D	62	2-47
2-48	EC-4-K	64	EC-4-I	64	
2-49	EC-4-J	66	EC-4-M	66	2-50
2-51	EC-4-H	68	EC-4-L	68	



HAMMER UNIT CONNECTOR LAYOUT

NOTE: EC = EVEN CONNECTOR  
EC-1-X & EC-1-W = HAMMER UNIT THERMAL ELEMENT

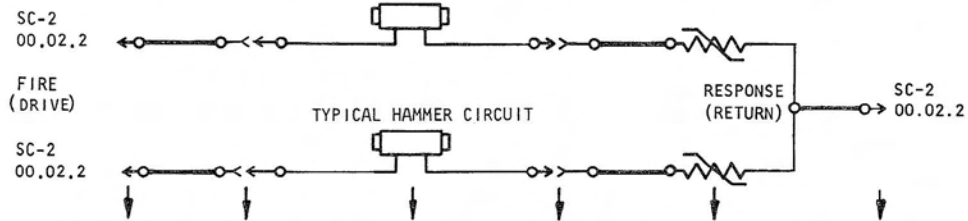
NOTE  
X NOTATIONS IN PARENTHESIS APPLY WHEN PRINTER IS USED WITH I410 SYSTEM.

EVEN HAMMERS 2 TO 68

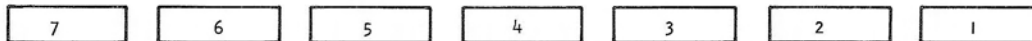
INTERNATIONAL BUSINESS MACHINES CORP.		DATE	CHANGE NO.	DATE	CHANGE NO.	NOTE	DEVELOPMENT NO.
NAME SYSTEM DIAGRAM		11/13/59	106002-M				01.03.1
01.03.1		3-6-61	110678B				
DESIGN	10-20-59 MODEL 1403	1-19-62	113802				
DETAIL	10-20-59						
CHECK	10-28-59 DRAW						
APPROV	10-30-59 CHECK						

474207

474208



HAMMER FIRE (DRIVE) SC#	HAMMER UNIT CONNECTOR	HAMMER COIL NO	HAMMER UNIT CONNECTOR	THERMISTOR NUMBER	HAMMER RESP (RETURN) SC#
2-52	EC-4-S	70	EC-4-V	70	2-53
2-54	EC-4-R	72	EC-4-U	72	
2-55	EC-4-P	74	EC-4-T	74	2-56
2-57	EC-4-X	76	EC-4-W	76	
2-58	EC-5-C	78	EC-5-F	78	2-59
2-60	EC-5-B	80	EC-5-E	80	
2-61	EC-5-A	82	EC-5-D	82	2-62
2-63	EC-5-K	84	4C-5-N	84	
2-64	EC-5-J	86	EC-5-M	86	2-65
2-66	EC-5-H	88	EC-5-L	88	
2-67	EC-5-S	90	EC-5-V	90	2-68
2-69	EC-5-R	92	EC-5-U	92	
2-70	EC-5-P	94	EC-5-T	94	2-71
2-72	EC-6-C	96	EC-6-F	96	
2-73	EC-6-B	98	EC-6-E	98	2-74
2-75	EC-6-A	100	EC-6-D	100	
2-76	EC-6-K	102	EC-6-N	102	2-77
2-78	EC-6-J	104	EC-6-M	104	
2-79	EC-6-H	106	EC-6-L	106	2-80
2-81	EC-6-S	108	EC-6-V	108	
2-82	EC-6-R	110	EC-6-U	110	2-83
2-84	EC-6-P	112	EC-6-T	112	
2-85	EC-6-X	114	EC-6-W	114	2-86
2-87	EC-7-C	116	EC-7-F	116	
2-88	EC-7-B	118	EC-7-E	118	2-89
2-90	EC-7-A	120	EC-7-D	120	
2-91	EC-7-K	122	EC-7-N	122	2-92
2-93	EC-7-J	124	EC-7-M	124	
2-94	EC-7-H	126	EC-7-L	126	2-95
2-96	EC-7-S	128	EC-7-V	128	
2-97	EC-7-R	130	EC-7-U	130	2-98
2-99	EC-7-P	132	EC-7-T	132	



HAMMER UNIT CONNECTOR LAYOUT

NOTE: EC = EVEN CONNECTOR

NOTE  
X NOTATIONS IN PARENTHESIS APPLY WHEN PRINTER IS USED WITH 1410 SYSTEM.

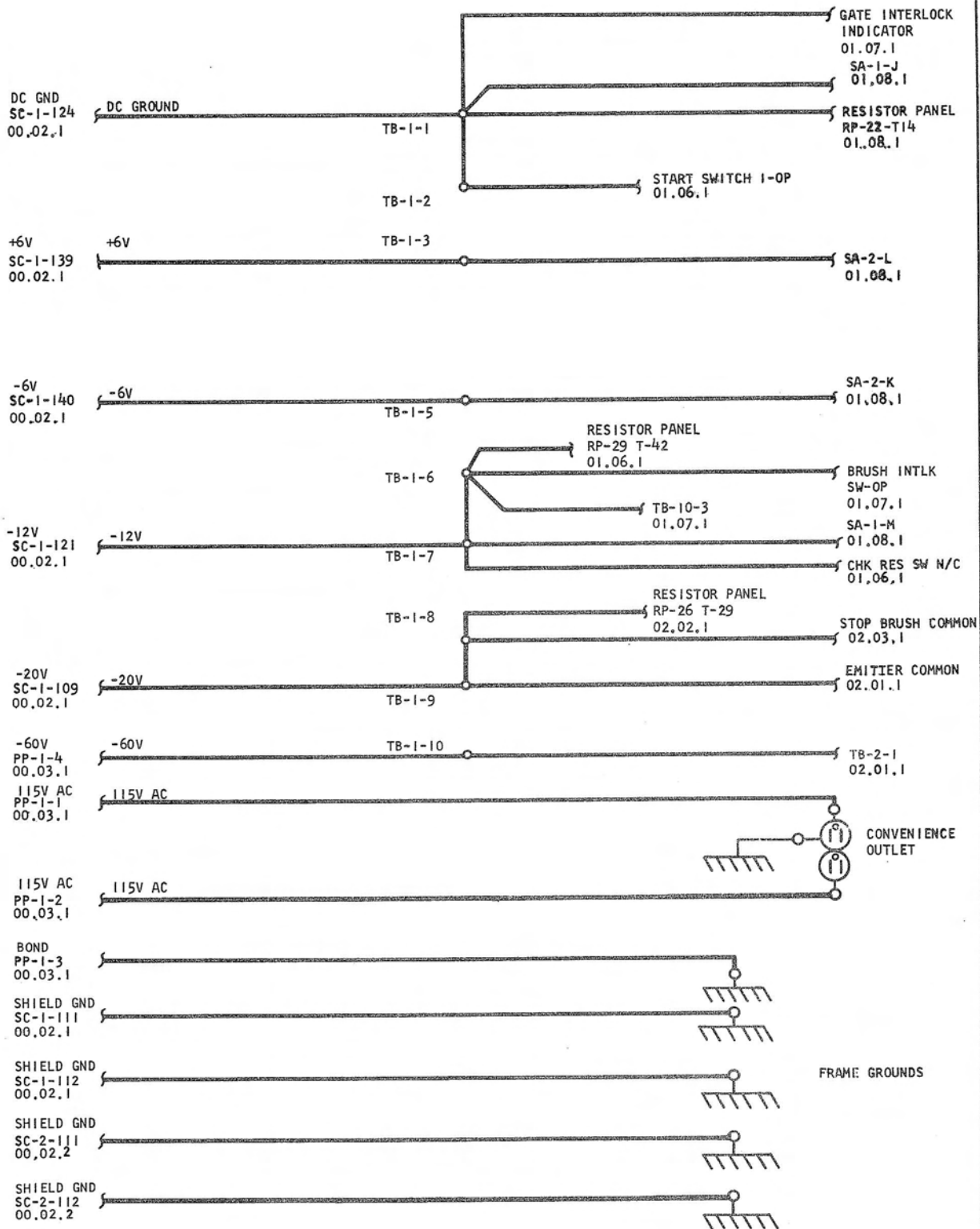
EVEN HAMMERS 70 TO 132

INTERNATIONAL BUSINESS MACHINES CORP.		DATE	CHANGE NO.	DATE	CHANGE NO.	NOTE	DEVELOPMENT NO.
NAME	SYSTEM DIAGRAM	11/13/59	106002-M				01.04.1
	01.04.1	3-6-61	110678B				
DESIGN	10-20-59 MODEL 1403	1-19-62	113802				
DETAIL	10-20-59						
CHECK	10-29-59 DRAW						
MOD	10-30-59 CHECK						

474208



474209

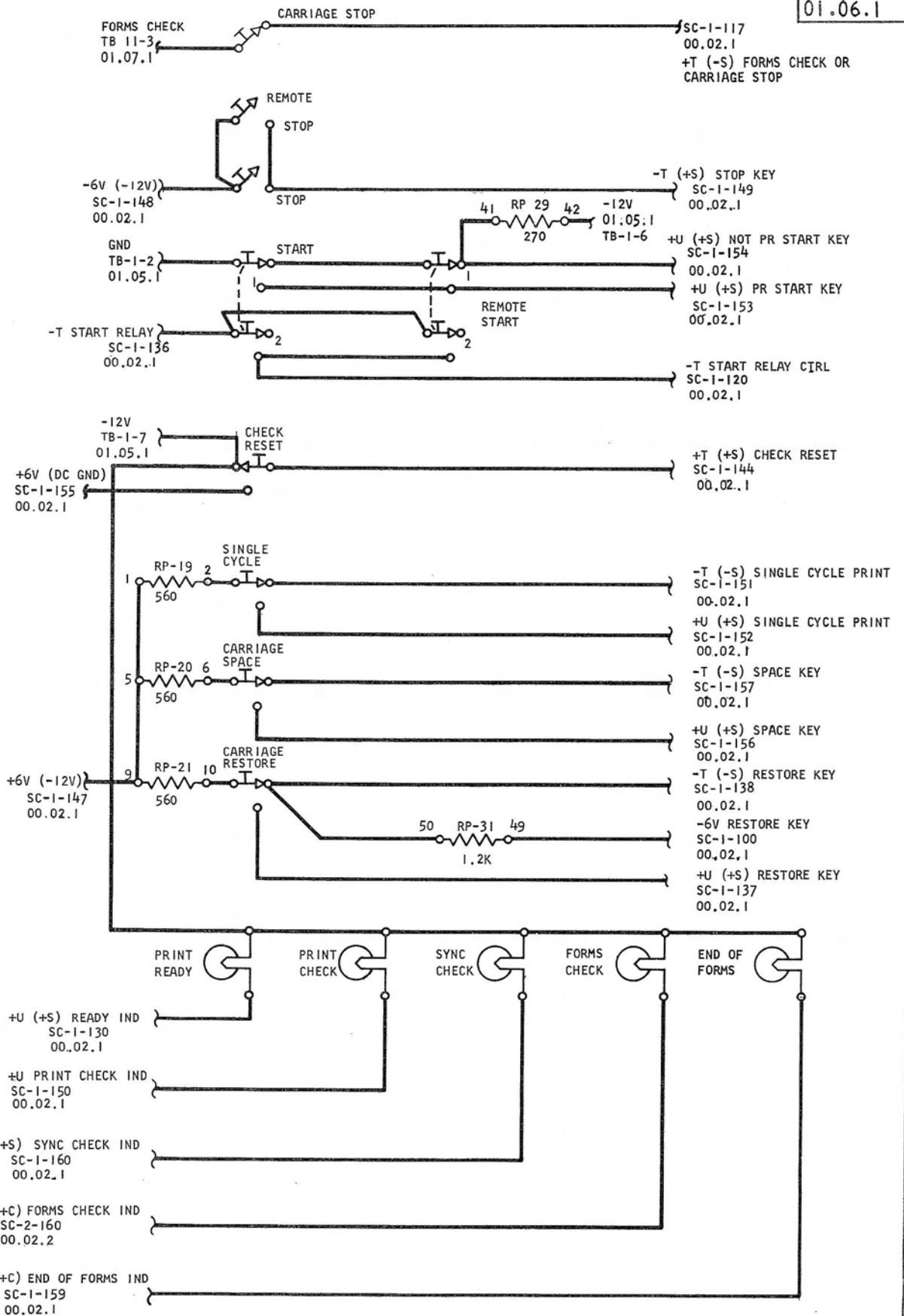


VOLTAGE DISTRIBUTION

INTERNATIONAL BUSINESS MACHINES CORP.		DATE	CHANGE NO.	DATE	CHANGE NO.	NOTE	DEVELOPMENT NO.
NAME	SYSTEM DIAGRAM	11/13/59	106002-M	10-5-60	110140A	X PRINT TO ENG. SPEC. NO.	474209
	01.05.1	1-20-60	108131A	6-15-61	111980C		
DESIGN	10-13-59 MODEL 1403	3-17-60	108432B	7-12-61	111306J		
DETAIL	10-13-59	5-13-60	108465A	2-9-62	112312B		
CHECK	10-28-59 DRAW	9-20-60	109973B				
APPROV	10-28-59 CHECK					01.05.1	

4.74210

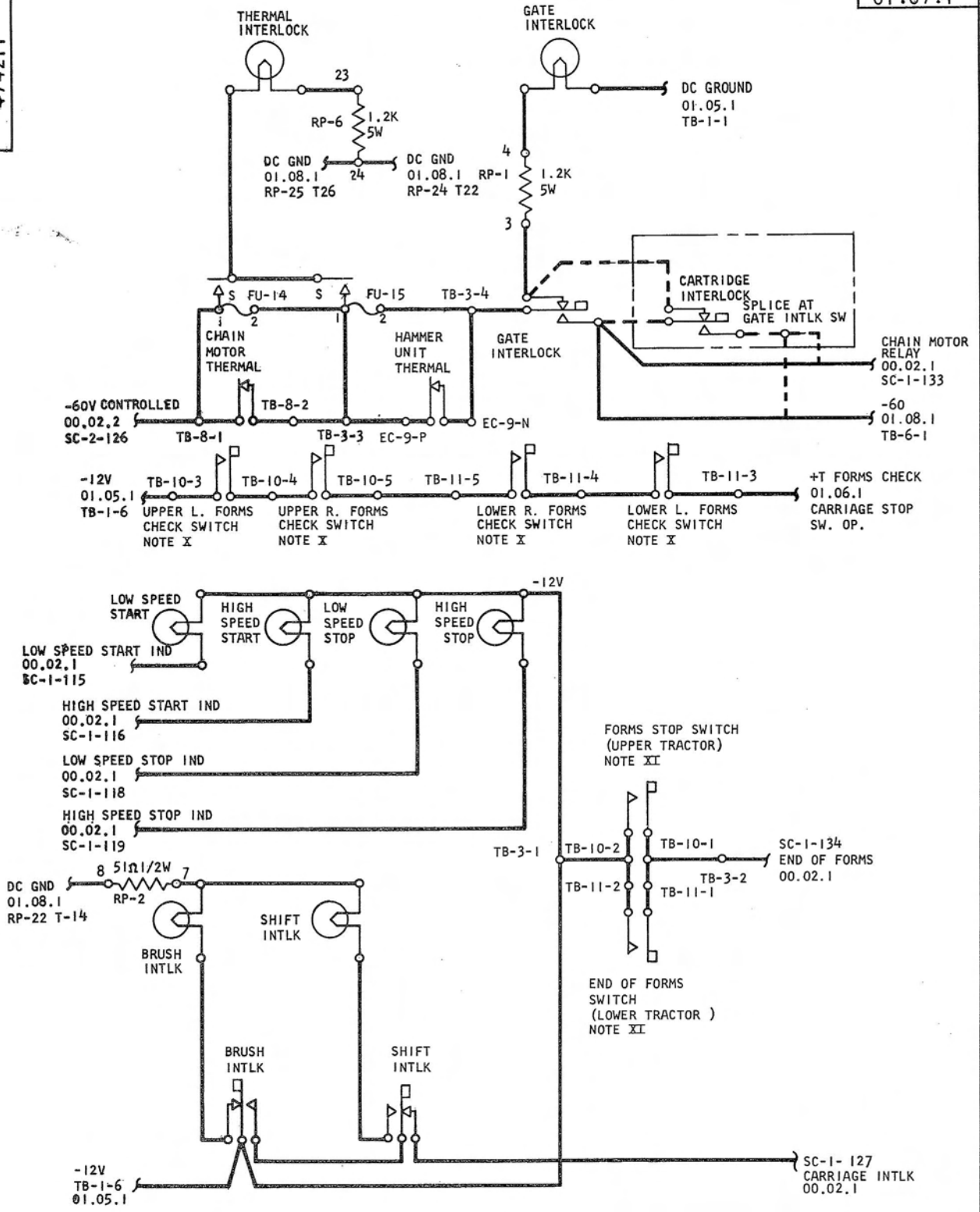
01.06.1



NOTE  
X NOTATIONS IN PARENTHESIS APPLY OPERATORS CONTROLS AND INDICATORS  
WHEN PRINTER IS USED WITH 1410 SYSTEM.

INTERNATIONAL BUSINESS MACHINES CORP.		DATE	CHANGE NO.	DATE	CHANGE NO.	NOTE	DEVELOPMENT NO.
NAME	SYSTEMS DIAGRAM	11/13/59	106002-M	1-19-62	113802		4.74210
	01.06.1	1-20-60	108131A	2-9-62	112312B		
DESIGN	10-19-59 MODEL 1403	3-17-60	108432B				
DETAIL	10-19-59	5-13-60	108465A				
CHECK	10-27-59 DRAW	10-5-60	110140A				
APPROV	10-30-59 CHECK						01.06.1

474211



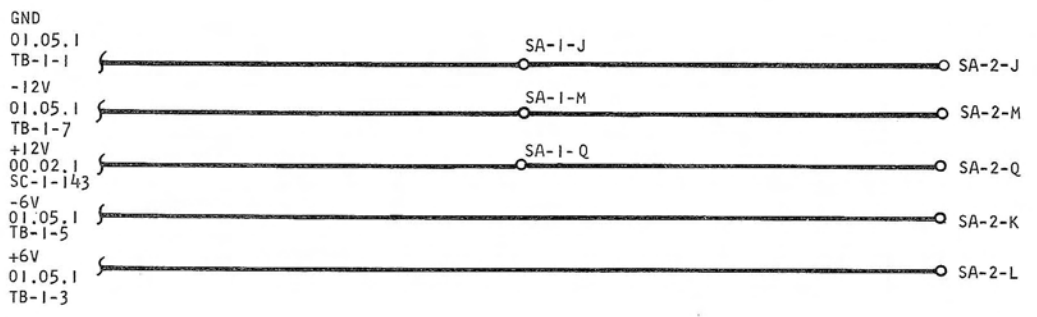
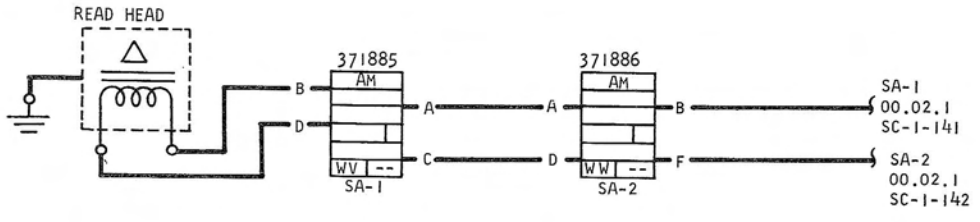
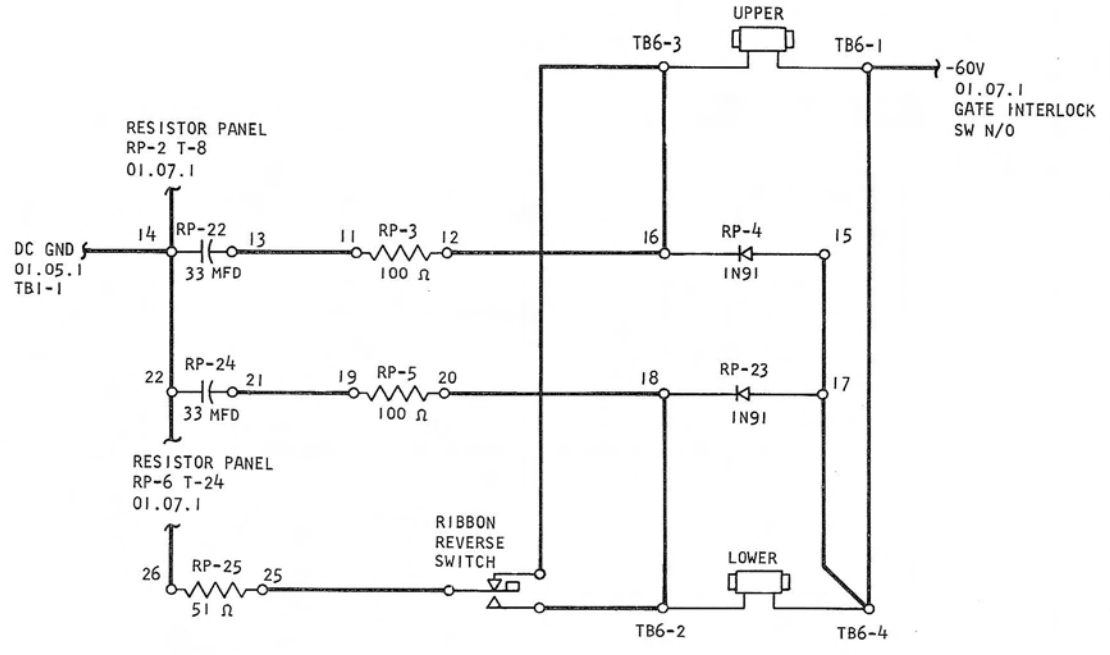
NOTE X- FORMS CHECK SWITCHES ARE ACTUATED FOR NORMAL OPERATION.

NOTE XI- END OF FORM SWITCHES AND FORMS STOP SWITCH ARE ACTUATED WHEN THERE IS NO FORM OVER THE SWITCH LEVER

INTERLOCKS AND INTERLOCK INDICATORS

INTERNATIONAL BUSINESS MACHINES CORP.		DATE	CHANGE NO.	DATE	CHANGE NO.	NOTE	DEVELOPMENT NO.
NAME	SYSTEM DIAGRAM	11/13/59	106002-M	10-5-60	110140A	X PRINT TO ENG. SPEC. NO.	474211
	01.07.1	1-20-60	108131-A	3-6-61	110678B		
DESIGN	10-19-59 MODEL 1403	3-17-60	108432B	6-15-61	111980C		
DETAIL	10-19-59	7-13-60	109248B	7-12-61	111306J		
CHECK	10-29-59 DRAW	9-20-60	109973B	2-9-62	112312B		
APP	10-30-59 CHECK						
							01.07.1

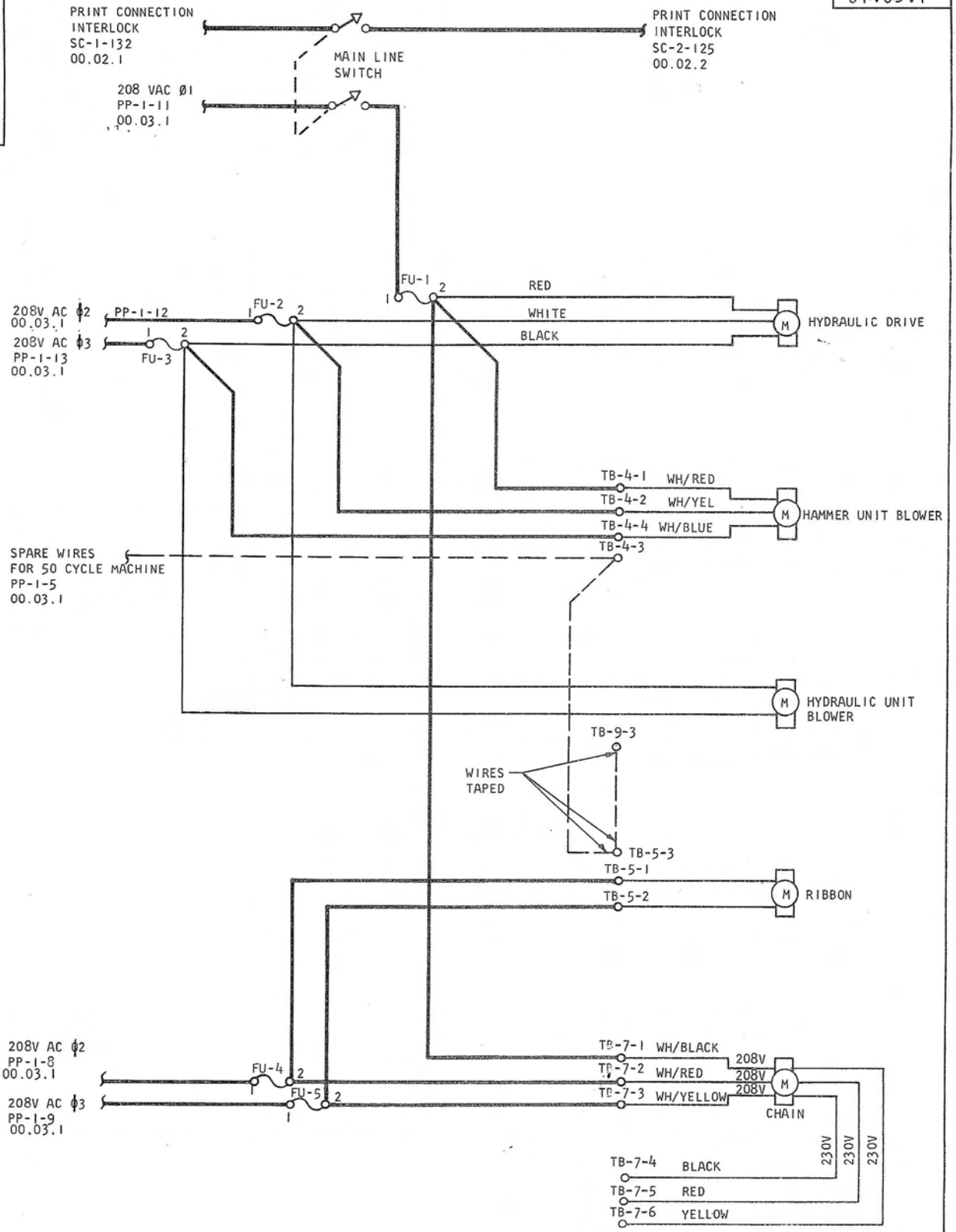
474212



RIBBON CONTROL AND SENSE AMPLIFIER

INTERNATIONAL BUSINESS MACHINES CORP.				DATE	CHANGE NO.	DATE	CHANGE NO.	NOTE	DEVELOPMENT NO.
NAME	SYSTEM DIAGRAM			11/13/59	106002-M	2-9-62	112312B	X PRINT TO ENG. SPEC. NO.	474212
	01.08.1			5-13-60	108465A				
DESIGN	10-13-59	MODEL	1403	7-13-60	109248B				
DETAIL	10-13-59			10-5-60	110140A				
CHECK	10-29-59	DRAW		6-15-61	111980C				
APPRO	10-30-59	CHECK							
									01.08.1

474213



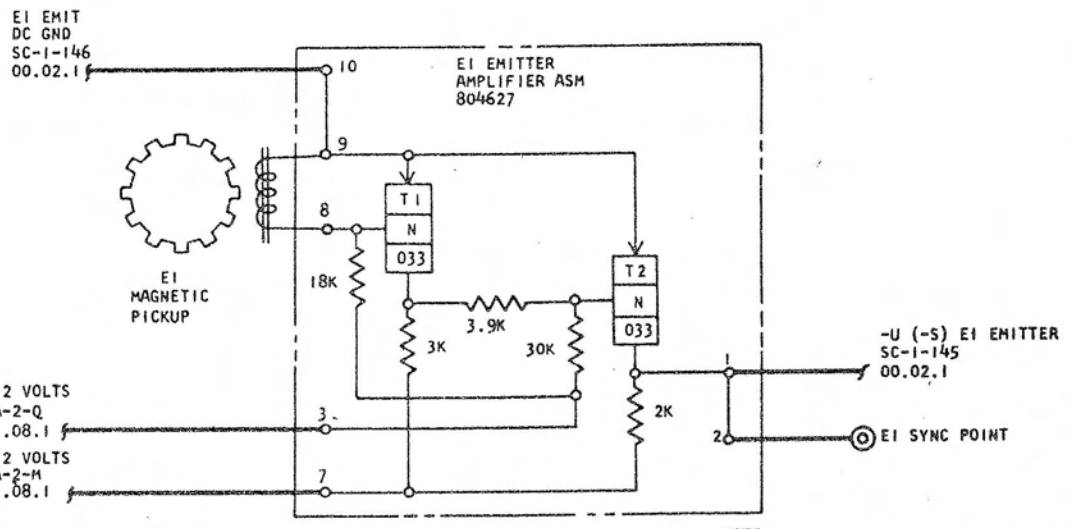
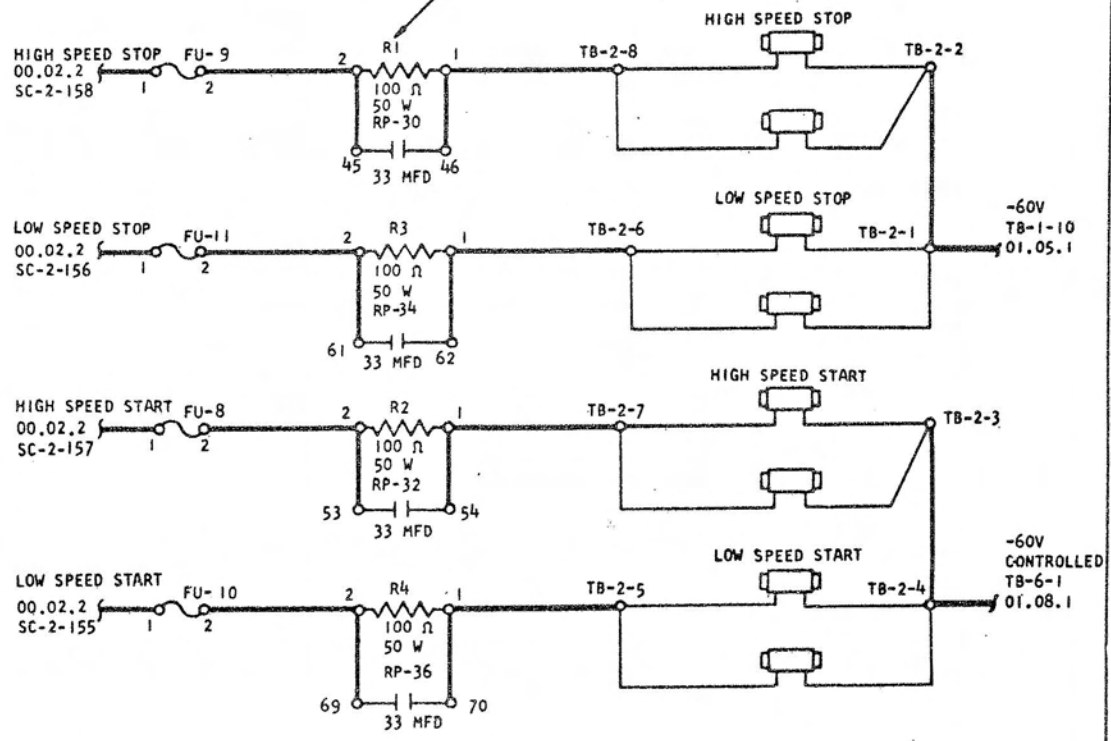
MOTOR CONTROL-208, 230 VOLT - 60 CYCLE

INTERNATIONAL BUSINESS MACHINES CORP.		DATE	CHANGE NO.	DATE	CHANGE NO.	NOTE	DEVELOPMENT NO.
NAME	SYSTEM DIAGRAM	11/13/59	106002-M	3-6-61	110678B	X PRINT TO ENG. SPEC. NO.	
DESIGN	10-13-59 MODEL 1403	3-17-60	108432B				
DETAIL	10-13-59	7-13-60	109248B				
CHECK	10-28-59 DRAW	9-20-60	109973B				
APPROV	10-30-59 CHECK	10-5-60	110140A				
							01.09.1

474213

474214

FOUR CARRIAGE RESISTORS  
LOCATED ON HEAT SINK AT REAR  
OF HYDRAULIC UNIT, NUMBERED 1-4,  
TOP TO BOTTOM.



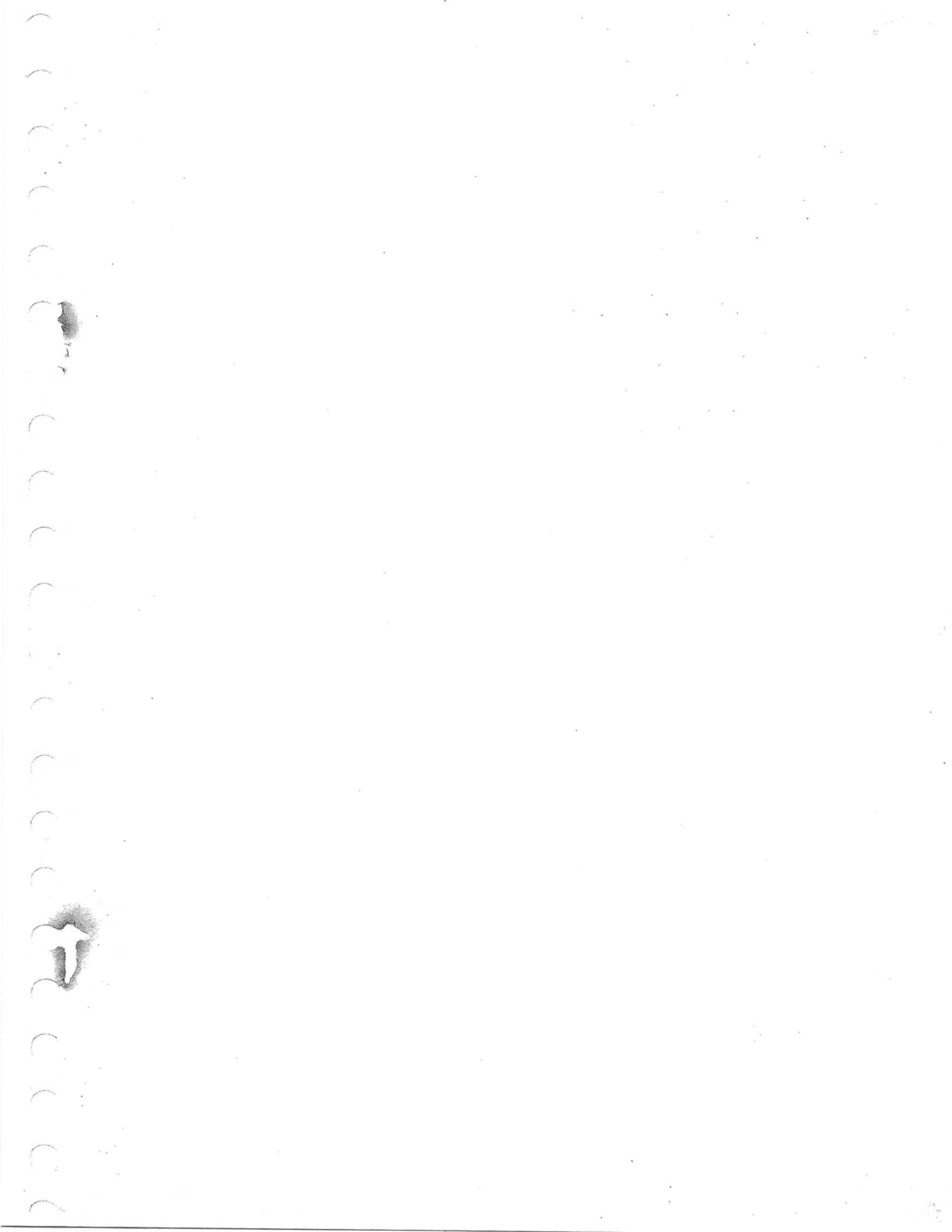
NOTE  
X NOTATIONS IN PARENTHESIS APPLY WHEN PRINTER IS USED WITH 1410 SYSTEM.

CARRIAGE CONTROL AND EMITTER

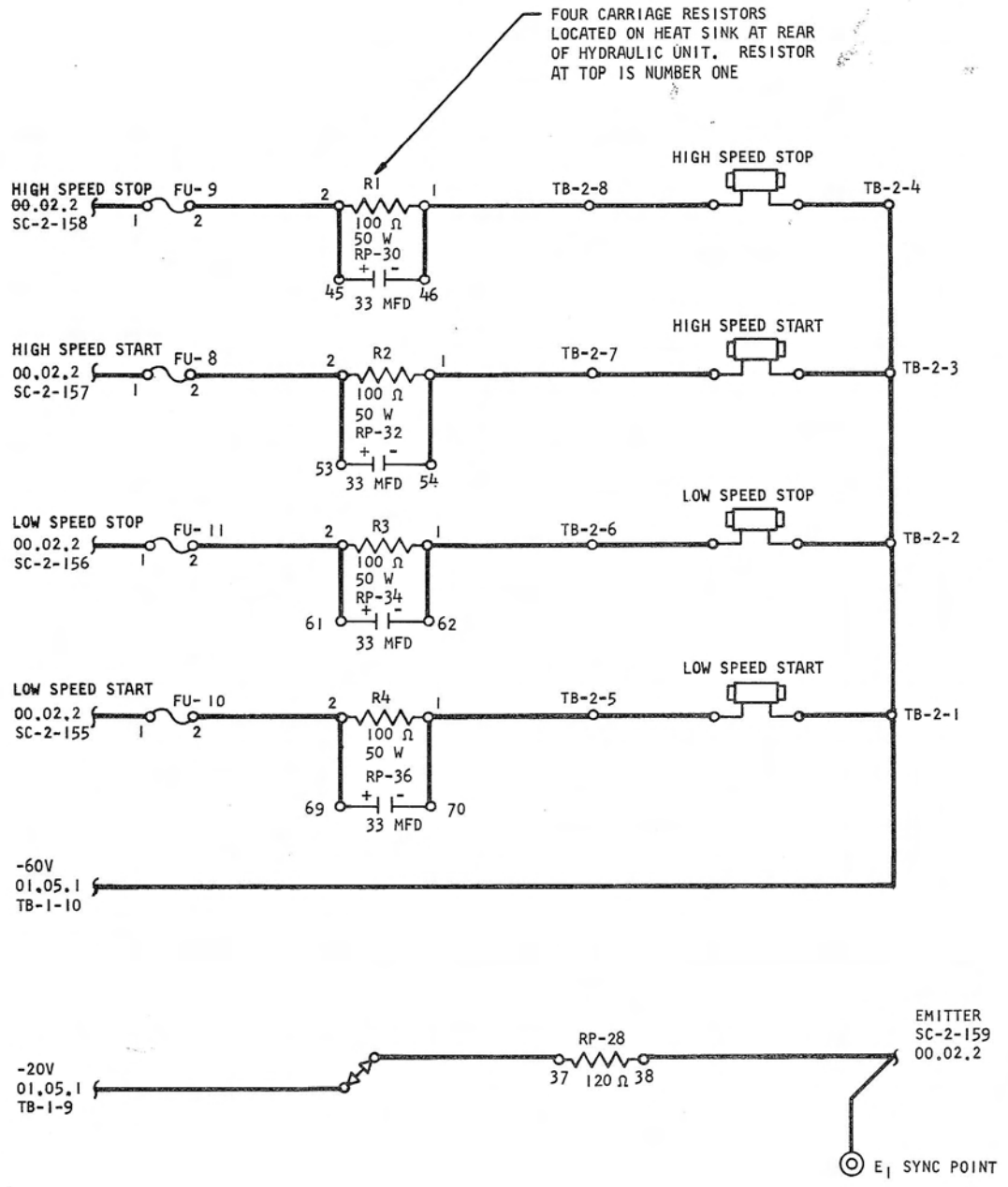
INTERNATIONAL BUSINESS MACHINES CORP.		DATE	CHANGE NO.	DATE	CHANGE NO.	NOTE	DEVELOPMENT NO.
NAME	SYSTEM DIAGRAM	11/13/59	106002-M	11-30-62	116387	X PRINT TO ENR. SPEC. NO.	02.01.1
DESIGN	10-13-59 MODEL 1403	1-20-60	108131-A	1-10-63	114845F		
DETAILS	10-13-59	3-17-60	108432B				
CHECK	10-29-59 DRAW	7-13-60	109248-B				
APPROV	10-30-59 CHECK	2-9-62	112312B				

474214





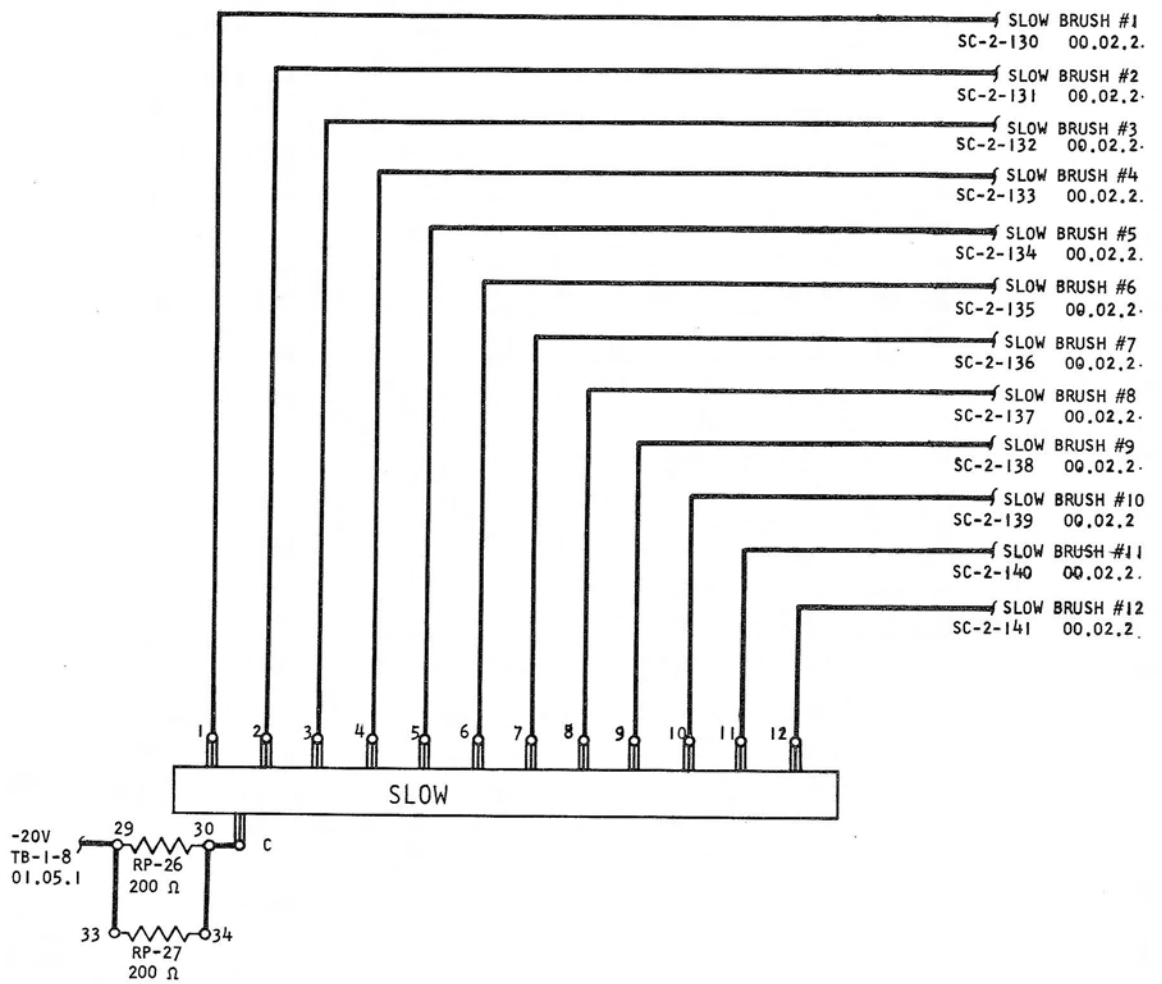
474214



CARRIAGE CONTROL AND EMITTER

INTERNATIONAL BUSINESS MACHINES CORP.		DATE	CHANGE NO.	DATE	CHANGE NO.	NOTE	DEVELOPMENT NO.
NAME	SYSTEM DIAGRAM	11/13/59	106002-M			NOTE X PRINT TO ENG. SPEC. NO.	474214
DESIGN	10-13-59 MODEL 1403	1-20-60	108131-A				
DETAIL	10-13-59	3-17-60	108432B				
CHECK	10-29-59 DRAW	7-13-60	109248-B				
APPROV	10-30-59 CHECK	2-9-62	112312B				

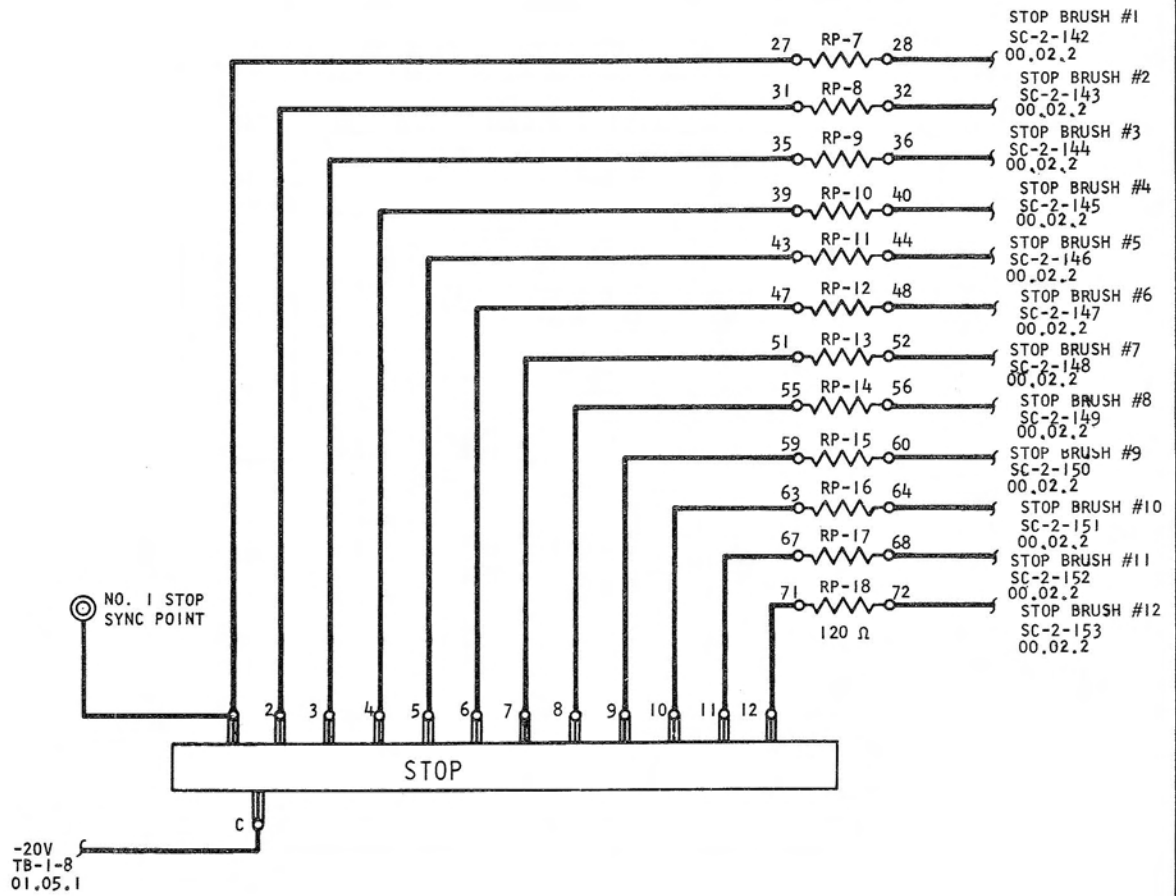
474215



SLOW BRUSHES

INTERNATIONAL BUSINESS MACHINES CORP.		DATE	CHANGE NO.	DATE	CHANGE NO.	NOTE	DEVELOPMENT NO.
NAME	SYSTEM DIAGRAM	11/13/59	106002-M			X PRINT TO ENG. SPEC. NO.	02.02.1
	02.02.1	3-17-60	108432B				
DESIGN	10-13-59 MODEL 1403	2-9-62	112312B				
DETAIL	10-13-59						
CHECK	10-28-59 DRAW						
APPROV	10-28-59 CHECK						

474215



STOP BRUSHES

INTERNATIONAL BUSINESS MACHINES CORP.		DATE	CHANGE NO.	DATE	CHANGE NO.	NOTE	DEVELOPMENT NO.
NAME	SYSTEM DIAGRAM	11/13/59	106002-M			NOTE X PRINT TO ENG. SPEC. NO.	474216
	02.03.1	7-13-60	109248B				
DESIGNER	10-13-59 MODEL 1403	2-9-62	112312B				
DRAWN	10-13-59						
CHECKED	10-29-59 DRAW						
APPROVED	10-29-59 CHECK					02.03.1	

475316

475316

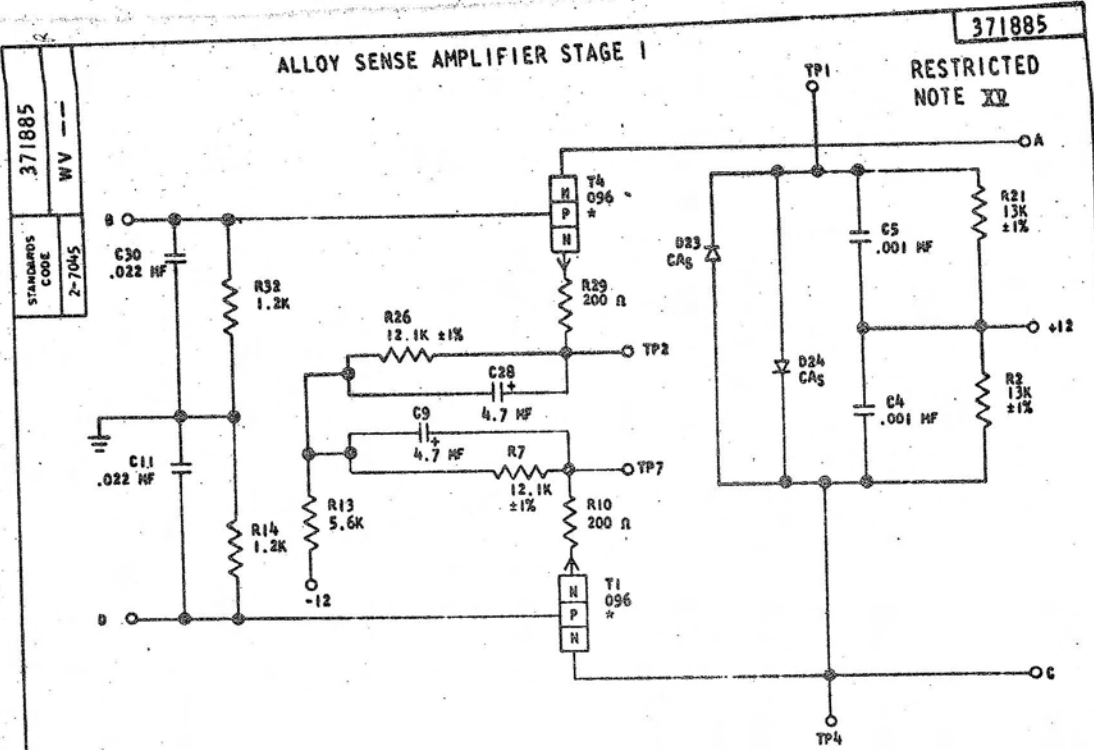
SHEET 1 OF 1

1403 CHAIN PRINTER  
SMS CARD CAP CODE INDEX

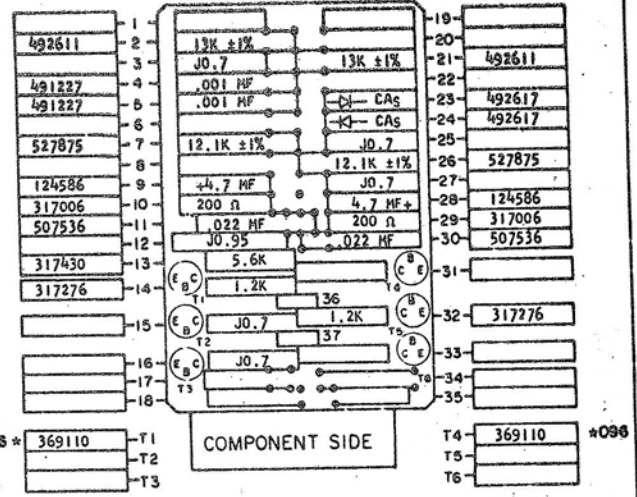
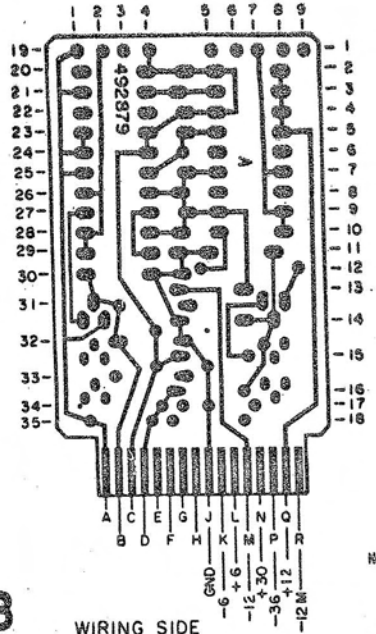
<u>CARD &amp; CAP CODE</u>	<u>NAME</u>	<u>PART NUMBER</u>	<u>FIELD REPLACEMENT CARD</u>
WV--	SENSE AMP 1	371885	371885
WV--	SENSE AMP 2	371886	371886

INTERNATIONAL BUSINESS MACHINES CORP.				DATE	CHANGE NO.	DATE	CHANGE NO.	NOTE	DEVELOPMENT NO.
NAME SMS CARD CAP CODE INDEX				10-31-60	110340			X PRINT TO ENG. SPEC. NO.	475316
				3-6-61	110578B				
DESIGN	JK	10-16-60	MODEL	1403					
DETAIL	JK	10-16-60							
CHECK	CHD	10-22-60	DRAW						
APPRO	CHD	10-24-60	CHECK					99.99.99.9	

C. C. CO. NO. 107587



371885  
STANDARDS  
CODE  
2-7045  
WV



**B**

WIRING SIDE

CIRCUIT & PACKAGING STANDARD	
APPROVAL	DATE
HDH	11-12-59
REC	

**NOTES**

X ASSEMBLE TO ENGINEERING SPECIFICATIONS 895396 AND 891999

XX "J" IN BLOCK DENOTES BARE WIRE JUMPER. 491296

XXI ALL RESISTORS ARE 1/2 WATT AND ±5% UNLESS OTHERWISE NOTED

XXII

XXIII

XXIV CIRCUIT MUST CONFORM TO ENGINEERING SPECIFICATION 891671

\* XXV TRANSISTORS TO BE ASSEMBLED IN MATCHED PAIRS FROM ANY OF THE FOLLOWING BETA RANGES: RANGE PAIR A 19-25, RANGE PAIR B 26-33, RANGE PAIR C 34-49, RANGE PAIR D 50-100

TECH LAB EVALUATION INCOMPLETE PART SUBJECT TO WITHDRAWAL. ADDITIONAL USAGE TO BE AVOIDED

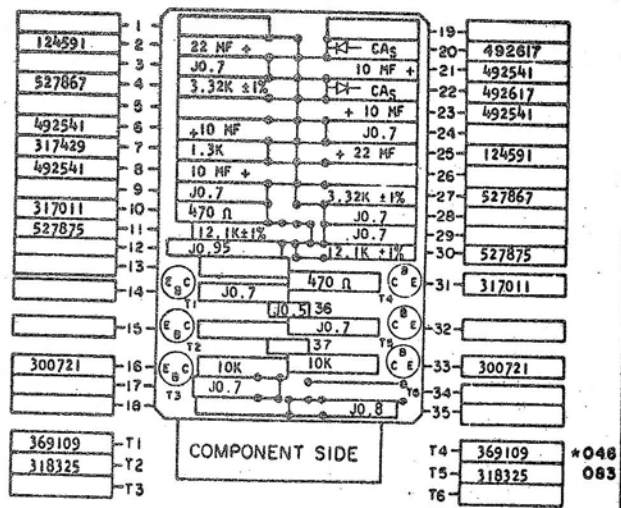
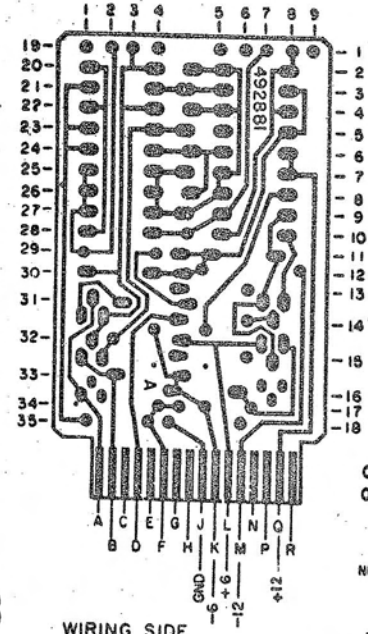
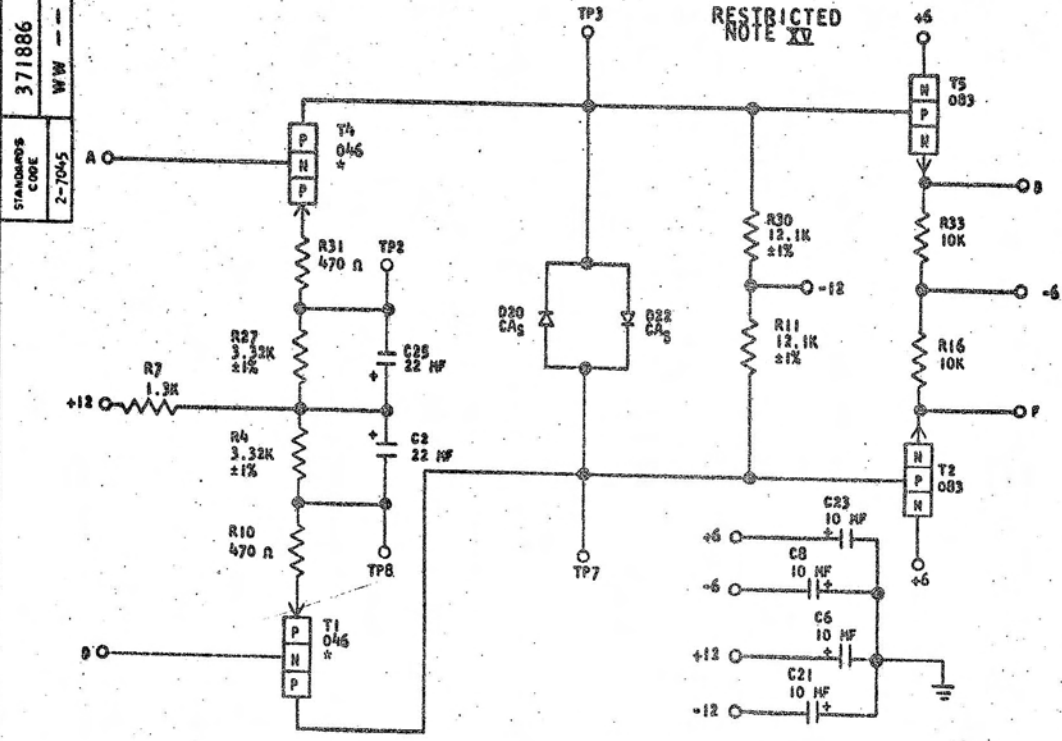
INTERNATIONAL BUSINESS MACHINES CORP.		DATE	CHANGE NO.	APPROVAL	DATE	CHANGE NO.	APPROVAL	DEVELOPMENT NO.
NAME	CARD ASM TSTR-ALLOY	1-12-60	108043					EX 1669
DESIGN	CB 12-20-59	1-24-61	11074					
DETAIL	CB 12-20-59	SCALE	NONE					
CHECK		DRAW	PZ 2-25-60					
APPRO	REC 1-1-60	CHECK	2-26-60					

371885



ALLOY SENSE AMP STAGE 2

371886



**B**

WIRING SIDE

CIRCUIT & PACKAGING STANDARD	
APPROVAL	DATE
HDH	9-3-59
REC	

INTERNATIONAL BUSINESS MACHINES CORP.							
NAME	DATE	CHARGE NO.	APPROVAL	DATE	CHANGE NO.	APPROVAL	DEVELOPMENT NO.
CARD ASM TSTR- ALLOY SENSE	1-12-60	108043	NOTE XV				371886
AMP STAGE 2	5-31-60	D109183	NOTE XVI				
DESIGN CB 12-20-59	8-28-60	D109616	NOTE XVII				
DETAIL CB 12-20-59	1-24-61	111074	NOTE XVIII				
CHECK	DRAW PZ 2-25-60						
APPRO REC 1-11-60	CHECR						

NOTES  
 X ASSEMBLE TO ENGINEERING SPECIFICATIONS 895196 AND 891999  
 XI "J" IN BLOCK DENOTES BARE WIRE JUMPER. 491256  
 XIII ALL RESISTORS ARE 1/2 WATT AND ±5% UNLESS OTHERWISE NOTED  
 XIV CIRCUIT MUST CONFORM TO ENGINEERING SPECIFICATION 891871  
 \* XV TRANSISTORS TO BE ASSEMBLED IN HATCHED PAIRS FROM ANY OF THE FOLLOWING BETA RANGES:  
 RANGE PAIR A 30-35  
 RANGE PAIR B 36-42  
 RANGE PAIR C 43-53 RANGE PAIR D-54-100  
 TECH LAB EVALUATION INCOMPLETE PART SUBJECT TO WITHDRAWAL, ADDITIONAL USAGE TO BE AVOIDED

DESIGN	CB 12-20-59	MODEL	SMS 1403
DETAIL	CB 12-20-59	SCALE	NONE
CHECK		DRAW	PZ 2-25-60
APPRO	REC 1-11-60	CHECR	2-24-60