





REMARKS

112972

DATE 5.2.62  
TA 4128

	A	B	C	D	E	F
14						
15						
16						
17						
18						
19						
20						
21						
22						
23						
24						
25						
26						
27						
28						
29						
30						

1129  
7-10-62







	A	B	C	D	E	F
1	JMVB BA 0371079 04	CGWV BA 0371251 03	CEH- BA 0370139 02	CGWV BA 0371251 03	JMX BA 0370142 02	JMX BA 0370144 02
2	PQ- BA 0371370 04	CGWV BA 0371251 03	PQ- BA 0371370 04	CGWV BA 0371251 03	JMX BA 0370141 02	JLVB BA 0371077 04
3	JFVP BA 0371576 04	PP- BA 0371365 04	CEH- BA 0370139 02	PP- BA 0371365 04	CG- BA 0371273 04	JMX BA 0370144 02
4	JMVB BA 0371079 04	PP- BA 0371365 04	PQ- BA 0371370 04	PP- BA 0371365 04	PP- BA 0371365 04	JMX BA 0370142 02
5	PQ- BA 0371370 04	JVU BA 0371267 02	CVNT BA 0371260 04	CGWV BA 0371251 03	CHWV BA 0371252 03	JMX BA 0370144 02
6	JFVP BA 0371576 04	PP- BA 0371365 04	JJVA BA 0371589 04	CGWV BA 0371251 03	JMX BA 0370142 02	JLVB BA 0371077 04
7	JMVB BA 0371079 04	CJYC BA 0371071 02	CEH- BA 0370139 02	PP- BA 0371365 04	JMX BA 0370141 02	JMX BA 0370144 02
8	PQ- BA 0371370 04	CJYC BA 0371071 02	PQ- BA 0371370 04	CRZT BA 0371275 04	CG- BA 0371273 04	JMX BA 0370142 02
9	JFVP BA 0371576 04	PP- BA 0371365 04	CEH- BA 0370139 02	PP- BA 0371365 04	JH- BA 0371586 02	CLVQ BA 0371255 03
10	JMVB BA 0371079 04	PP- BA 0371365 04	PQ- BA 0371370 04	CLVT BA 0371073 04	JMX BA 0370141 02	CRYC BA 0371072 02
11	PQ- BA 0371370 04	PP- BA 0371365 04	PP- BA 0371365 04	CLVT BA 0371073 04	CGWV BA 0371251 03	CLVQ BA 0371255 03
12	JFVP BA 0371576 04	PP- BA 0371365 04	COZY BA 0371272 04	COZY BA 0371272 04	JMX BA 0370141 02	CHVV BA 0371265 03
13	JMVB BA 0371079 04	CRYC BA 0371072 02	JMX BA 0370141 02	CJVF BA 0371269 02	JMX BA 0370142 02	CLVR BA 0371075 04

DG found in D02

370975

jumped 1/24/10

see on CGWV page

794225/1

	A	B	C	D	E	F	
14	JMVB BA 0371079 04 35.15.51.2 35.15.51.2 35.15.51.2	CLVQ BA 0371256 03 35.10.51.2 35.10.51.2 35.10.51.2	JJHX BA 0370141 02 35.15.11.2 35.15.11.2 35.15.11.2	LNVS BA 0371079 04 35.15.11.2 35.15.11.2 35.15.11.2	CCYQ BA 0371270 04 35.15.11.2 35.15.11.2 35.15.11.2	CLYC BA 0371071 02 35.15.11.2 35.15.11.2 35.15.11.2	
15	PP-- BA 0371370 04 35.15.51.2 35.15.51.2 35.15.51.2	JH-- BA 0371586 02 35.10.51.2 35.10.51.2 35.10.51.2	CLVR BA 0371075 04 35.10.51.2 35.10.51.2 35.10.51.2	CCZT BA 0371272 04 35.18.21.2 35.18.21.2 35.18.21.2	PPP-- BA 0371369 04 35.14.51.2 35.14.51.2 35.14.51.2	CCJWF BA 0371268 02 35.18.51.2 35.18.51.2 35.18.51.2	
16	JMVB BA 0371079 04 35.15.51.2 35.15.51.2 35.15.51.2	CCJWF BA 0371268 02 35.10.51.2 35.10.51.2 35.10.51.2	JLVB BA 0371077 04 35.10.31.2 35.10.31.2 35.10.31.2	CCNWT BA 0371260 05 35.18.31.2 35.18.31.2 35.18.31.2	CCWV BA 0371264 03 35.15.11.2 35.15.11.2 35.15.11.2	CLVR BA 0371075 04 35.16.81.2 35.16.81.2 35.16.81.2	
17	CLVR BA 0371075 04 35.18.61.2 35.18.61.2 35.18.61.2	CCWV BA 0371261 03 35.15.21.2 35.15.21.2 35.15.21.2	JCGV BA 0371581 03 35.10.51.2 35.10.51.2 35.10.51.2	CLVT BA 0371073 04 35.17.11.2 35.17.11.2 35.17.11.2	JH-- BA 0371586 02 35.14.11.2 35.14.11.2 35.14.11.2	JJVN BA 0371589 04 35.17.11.2 35.17.11.2 35.17.11.2	
18	CLYC BA 0371071 02 35.18.41.2 35.18.41.2 35.18.41.2	PP-- BA 0371365 04 35.10.51.2 35.10.51.2 35.10.51.2	JLVB BA 0371077 04 35.15.51.2 35.15.51.2 35.15.51.2	JJVA BA 0371583 04 35.18.31.2 35.18.31.2 35.18.31.2	JH-- BA 0371586 02 35.18.11.2 35.18.11.2 35.18.11.2	CLVT BA 0371073 04 35.15.11.2 35.15.11.2 35.15.11.2	
19	JH-- BA 0371586 02 35.15.11.2 35.15.11.2 35.15.11.2	CCWV BA 0371264 03 35.18.51.2 35.18.51.2 35.18.51.2	JJHX BA 0370144 02 35.18.21.2 35.18.21.2 35.18.21.2	CRZY BA 0371275 04 35.18.11.2 35.18.11.2 35.18.11.2	JJVP BA 0371587 04 35.17.11.2 35.17.11.2 35.17.11.2	CLVT BA 0371073 04 35.14.51.2 35.14.51.2 35.14.51.2	
20	CCZV BA 0371271 04 35.18.61.2 35.18.61.2 35.18.61.2	JMVB BA 0371079 04 35.15.51.2 35.15.51.2 35.15.51.2	PP-- BA 0371366 04 35.17.71.2 35.17.71.2 35.17.71.2	CCWV BA 0371269 02 35.18.21.2 35.18.21.2 35.18.21.2	JH-- BA 0371586 02 35.13.11.2 35.13.11.2 35.13.11.2	CCKYC BA 0371072 02 35.18.41.2 35.18.41.2 35.18.41.2	
21	AEA-- SBA 0371929 35.18.51.2 35.18.51.2 35.18.51.2	JJVP SBA 0371587 04 35.18.11.2 35.18.11.2 35.18.11.2	CLVR SBA 0371075 04 35.18.41.2 35.18.41.2 35.18.41.2	CLVT BA 0371073 04 35.18.61.2 35.18.61.2 35.18.61.2	JJVA BA 0371589 04 35.17.11.2 35.17.11.2 35.17.11.2	CCJWF BA 0371268 02 35.10.51.2 35.10.51.2 35.10.51.2	
22		CLVR BA 0371075 04 35.10.51.2 35.10.51.2 35.10.51.2		CCWV SBA 0371265 03 35.15.11.2 35.15.11.2 35.15.11.2		JH-- BA 0371501 01 35.11.11.2 35.11.11.2 35.11.11.2	
23			AEA-- BA 0371929 1 35.10.51.2 35.10.51.2 35.10.51.2				
24							
25							
26							

CJWFF found in E17  
Electrically Identical

1815  
794225  
R

A	B	REMARKS	C	D	E	F
1		WL-- PF 0371898 02 46.10.61.2 46.10.61.2			JLVB PF 0371077 04 46.10.21.2 46.10.21.2 46.10.21.2 46.10.21.2 46.10.21.2	
2		WL-- PF 0371898 02 46.10.61.2 46.10.61.2			CG-- PF 0371265 03 46.10.31.2 46.10.31.2 46.10.21.2 46.10.21.2	
3		WL-- PF 0371898 02 46.10.61.2 46.10.61.2			CO-- PF 0371273 04 46.10.21.2 46.10.21.2 46.10.21.2 46.10.21.2	
4		WL-- PF 0371898 02 46.10.61.2 46.10.61.2			CHW PF 0371252 03 46.10.21.2 46.10.21.2 46.10.21.2 46.10.21.2	
5		WL-- PF 0371898 02 46.10.61.2 46.10.61.2			JLVB PF 0371077 04 46.10.21.2 46.10.21.2 46.10.21.2 46.10.21.2	
6		WL-- PF 0371898 02 46.10.61.2 46.10.61.2			CG-- PF 0371263 03 46.10.21.2 46.10.31.2 46.10.31.2 46.10.31.2	
7		CR-- PF 0371276 04 46.10.61.2 46.10.61.2 46.10.61.2 46.10.61.2			JLVB PF 0371077 04 46.10.31.2 46.10.31.2 46.10.31.2 46.10.31.2	
8		CR-- PF 0371276 04 46.10.61.2 46.10.61.2 46.10.61.2 46.10.61.2			CHW PF 0371252 03 46.10.21.2 46.10.31.2 46.10.31.2 46.10.31.2	
9		CR-- PF 0371276 04 46.10.61.2 46.10.61.2 46.10.61.2 46.10.61.2			CO-- PF 0371273 04 46.10.31.2 46.10.31.2 46.10.31.2 46.10.31.2	
10		FP-- PF 0371453 04 46.10.91.2 46.10.91.2 46.10.91.2 46.10.91.2			CGVV PF 0371262 03 46.10.61.2 46.10.31.2 46.10.31.2	
11		HN-- PF 0371463 02 46.10.51.2 46.10.51.2			CHW PF 0371252 03 46.10.31.2 46.10.31.2 46.10.31.2 46.10.41.2	
12		HN-- PF 0371463 02 46.10.51.2 46.10.51.2			JLVB PF 0371077 04 46.10.31.2 46.10.31.2 46.10.31.2 46.10.31.2	
13		FP-- PF 0371453 04 46.10.91.2 46.10.91.2 46.10.91.2 46.10.91.2			JLVB PF 0371077 04 46.10.41.2 46.10.41.2 46.10.41.2 46.10.41.2	
14		HN-- PF 0371463 02 46.10.51.2 46.10.51.2			CO-- PF 0371273 04 46.10.41.2 46.10.41.2 46.10.41.2 46.10.41.2	

DATE 5.3.63  
TA 1770A

122547

1770







A	B	C	D	E	F
CHVV PF 0371264 G3 46.36.91.2 46.36.91.2 46.36.91.2	CH-- PF 0371266 G3 46.36.81.2 46.36.81.2 46.36.81.2	UNDEFIN # RPO 46.36.21.2	UNDEFIN # RPO 46.36.21.2	UNDEFIN # RPO 46.36.21.2	CLVR CF 0371675 G2 46.51.41.2
JMVB PF 0371079 G4 46.36.91.2 46.36.91.2 46.36.91.2	JLVB PF 0371077 G4 46.36.91.2 46.36.91.2 46.36.91.2	UNDEFIN # RPO 46.36.21.2	UNDEFIN # RPO 46.36.21.2	UNDEFIN # RPO 46.36.21.2	CJWF DS 0371268 G2 46.51.31.2 46.51.31.2
CHVV PF 0371265 G3 46.36.91.2 46.36.91.2 46.36.91.2	J6VV PF 0371581 G3 46.36.91.2 46.36.91.2 46.36.91.2	UNDEFIN # RPO 46.36.21.2	UNDEFIN # RPO 46.36.21.2	UNDEFIN # RPO 46.36.21.2	COZV DS 0371271 G4 46.51.31.2 46.51.31.2
CHVV PF 0371264 G3 46.36.91.2 46.36.91.2 46.36.91.2	J6VV PF 0371582 G3 46.36.91.2 46.36.91.2 46.36.91.2	JMVB PF 0371079 G4 46.36.91.2 46.36.91.2 46.36.91.2	J6VV PF 0371582 G3 46.36.91.2 46.36.91.2 46.36.91.2	J6-- PF 0371585 G3 46.36.91.2 46.36.91.2 46.36.91.2	CJWF DS 0371268 G2 46.51.31.2 46.51.31.2
CH-- PF 0371266 G3 46.36.81.2 46.36.81.2 46.36.81.2	CPWT PF 0371259 G6 46.37.61.2 46.37.61.2 46.37.61.2	COZV PF 0371271 G4 46.37.91.2 46.37.91.2 46.37.91.2	COZV PF 0371271 G4 46.37.91.2 46.37.91.2 46.37.91.2	COZV PF 0371271 G4 46.37.91.2 46.37.91.2 46.37.91.2	CHVV DS 0371268 G2 46.51.31.2 46.51.31.2
CH-- PF 0371266 G3 46.36.81.2 46.36.81.2 46.36.81.2	JJVP PF 0371587 G4 46.37.91.2 46.37.91.2 46.37.91.2	COZV PF 0371271 G4 46.37.91.2 46.37.91.2 46.37.91.2	COZV PF 0371271 G4 46.37.91.2 46.37.91.2 46.37.91.2	COZV PF 0371271 G4 46.37.91.2 46.37.91.2 46.37.91.2	CJWF DS 0371268 G2 46.51.31.2 46.51.31.2
FT-- PF 0371405 G1 46.37.21.2	CM-- PF 0371256 G8 46.37.21.2 46.37.21.2	CW-- PF 0371534 G1 46.37.61.2	CW-- PF 0371534 G1 46.37.61.2	CW-- PF 0371534 G1 46.37.61.2	CHVV DS 0371259 G6 46.51.31.2 46.51.31.2
AH-- PF 0371263 G2 46.37.21.2	NU-- PF 0371676 G2 46.37.91.2 46.37.91.2	CW-- PF 0371534 G1 46.37.61.2	CW-- PF 0371534 G1 46.37.61.2	CW-- PF 0371534 G1 46.37.61.2	CO-- DS 0371273 G4 46.51.31.2 46.51.31.2
J6VV PF 0371582 G3 46.37.21.2 46.37.21.2 46.37.21.2	JJVP PF 0371587 G4 46.37.91.2 46.37.91.2 46.37.91.2	CW-- PF 0371534 G1 46.37.61.2	CW-- PF 0371534 G1 46.37.61.2	CW-- PF 0371534 G1 46.37.61.2	NGTF DS 0371635 G4 46.51.31.2 46.51.31.2
CW-- PF 0371534 G1 46.37.21.2	J6-- PF 0371583 G3 46.37.21.2 46.37.21.2 46.37.21.2	CW-- PF 0371534 G1 46.37.61.2	CW-- PF 0371534 G1 46.37.61.2	CW-- PF 0371534 G1 46.37.61.2	CO-- DS 0371273 G4 46.51.31.2 46.51.31.2
CW-- PF 0371534 G1 46.37.21.2	J6-- PF 0371585 G3 46.37.21.2 46.37.21.2 46.37.21.2	CW-- PF 0371534 G1 46.37.61.2	CW-- PF 0371534 G1 46.37.61.2	CW-- PF 0371534 G1 46.37.61.2	NGTF DS 0371635 G4 46.51.31.2 46.51.31.2
CW-- PF 0371534 G1 46.37.21.2	JHVV PF 0371585 G2 46.37.51.2 46.37.51.2	CW-- PF 0371534 G1 46.37.61.2	CW-- PF 0371534 G1 46.37.61.2	CW-- PF 0371534 G1 46.37.61.2	NGTF DS 0371635 G4 46.51.31.2 46.51.31.2
CW-- PF 0371534 G1 46.37.21.2	JHVV PF 0371584 G2 46.37.51.2 46.37.51.2	CW-- PF 0371534 G1 46.37.61.2	COZT PF 0371272 G4 46.37.21.2 46.36.81.2 46.36.81.2	CRZV PF 0371274 G4 46.37.91.2 46.37.91.2 46.37.91.2	CHVV DS 0371268 G2 46.51.31.2 46.51.31.2

DATE 20.2.68  
TA 1747

805572

	A	B	C	D	E	F
15	JGVV PF 0371582 03 46.37.31.2 46.37.31.2 46.37.31.2	JHVV PF 0371584 02 46.37.31.2 46.37.31.2	CH-- PF 0371534 01 46.37.51.2	JJVP PF 0371587 04 46.37.81.2 46.37.81.2 46.37.81.2	JHVB PF 0371079 04 46.37.71.2 46.36.81.2 46.37.81.2	UNDEFIN * 46.36.21.2
16	CLVR PF 0371075 04 46.37.31.2	JGVV PF 0371581 03 46.37.31.2 46.37.31.2	CH-- PF 0371534 01 46.37.51.2	JGVV PF 0371580 03 46.37.81.2 46.37.81.2 46.37.81.2	CH-- PF 0371534 01 46.37.71.2	CH-- DS 0371536 01 46.51.41.2
17	UNDEFIN * 46.36.21.2	CJWF PF 0371268 02 46.37.41.2 46.37.41.2	CGVV PF 0371261 03 46.37.51.2 46.37.51.2	COZV PF 0371271 04 46.37.41.2 46.37.41.2 46.37.41.2	PQ-- PF 0371370 04 46.37.71.2 46.37.71.2	CO-- DS 0371273 04 46.51.41.2 46.51.41.2
18	CGVV PF 0371261 03 46.37.41.2 46.37.41.2	CGVV PF 0371261 03 46.37.41.2 46.37.41.2	CGVV PF 0371261 03 46.37.51.2 46.37.51.2	COZT PF 0371272 04 46.37.41.2 46.37.41.2	CGVV PF 0371262 03 46.37.71.2 46.37.71.2	QC-- DS 0371633 02 46.51.41.2 46.51.41.2
19	CGVV PF 0371262 03 46.37.41.2 46.37.41.2	CJWF PF 0371268 02 46.37.41.2 46.37.41.2	CGVV PF 0371262 03 46.37.51.2 46.37.51.2	COZV PF 0371271 04 46.37.51.2 46.37.51.2	JH-- PF 0371586 02 46.37.81.2 46.37.81.2	CJWF DS 0371268 02 46.51.41.2 46.51.41.2
20	UNDEFIN * 46.36.21.2	UNDEFIN * 46.36.21.2	UNDEFIN * 46.36.21.2	UNDEFIN * 46.36.21.2	CJWF DS 0371268 02 46.51.41.2 46.51.41.2	CJWF DS 0371268 02 46.51.41.2 46.51.41.2
21	UNDEFIN * 46.36.21.2	UNDEFIN * 46.36.21.2	UNDEFIN * 46.36.21.2	UNDEFIN * 46.36.21.2	COZV DS 0371271 04 46.51.21.2 46.51.21.2	COZV DS 0371271 04 46.51.21.2 46.51.21.2
22	UNDEFIN * 46.36.21.2	UNDEFIN * 46.36.21.2	UNDEFIN * 46.36.21.2	UNDEFIN * 46.36.21.2	CHWV DS 0371252 03 46.51.21.2 46.51.21.2	CHWV DS 0371252 03 46.51.21.2 46.51.21.2
23	UNDEFIN * 46.36.21.2	UNDEFIN * 46.36.21.2	UNDEFIN * 46.36.21.2	UNDEFIN * 46.36.21.2	CHWV DS 0371252 03 46.51.21.2 46.51.21.2	CHWV DS 0371252 03 46.51.21.2 46.51.21.2
24	CONN UNDEFIN * 46.36.21.2	CONN UNDEFIN * 46.36.21.2	CONN UNDEFIN * 46.36.21.2	CONN UNDEFIN * 46.36.21.2	CONN UNDEFIN * 46.36.21.2	CONN UNDEFIN * 46.36.21.2
25	CONN UNDEFIN * 46.36.21.2	CONN UNDEFIN * 46.36.21.2	CONN UNDEFIN * 46.36.21.2	CONN UNDEFIN * 46.36.21.2	CONN UNDEFIN * 46.36.21.2	CONN UNDEFIN * 46.36.21.2
26	CONN UNDEFIN * 46.36.21.2	CONN UNDEFIN * 46.36.21.2	CONN UNDEFIN * 46.36.21.2	CONN UNDEFIN * 46.36.21.2	CONN UNDEFIN * 46.36.21.2	CONN UNDEFIN * 46.36.21.2

DATE 20.2.68  
TA 1747

REMARKS

A	B	C	D	E	F
CNWT PF 0371260 06 36.31.01.2 36.31.01.2 36.31.01.2 36.31.01.2	JH PF 0371586 02 36.31.31.2 36.31.61.2	CJWF PF 0371268 02 36.31.51.2 36.31.61.2	CLVR PF 0371075 04 36.37.11.2 36.34.51.2 36.33.11.2 36.34.41.2	CJYC PF 0371071 02 36.31.61.2 36.35.11.2	CW PF 0371534 01 36.35.11.2
E F					A
COZY PF 0371271 04 36.31.51.2 36.35.11.2 36.31.01.2 36.31.51.2	JH PF 0371586 02 36.31.41.2 36.31.31.2	CLVR PF 0371075 04 36.37.11.2 36.34.51.2 36.33.11.2 36.31.31.2	CJNV PF 0371253 02 36.37.11.2 36.37.11.2	CLVR PF 0371075 04 36.37.11.2 36.35.11.2 36.35.11.2	CW PF 0371534 01 36.35.11.2
					A
KA PF 0371546 04 36.35.21.2 36.37.11.2 36.37.11.2 36.37.21.2	J6VV PF 0371582 03 36.31.51.2 36.31.01.2	CJVV PF 0371267 02 36.31.51.2 36.31.51.2	CNBU PF 0371258 06 36.37.11.2 36.37.21.2 36.31.51.2	JLVB PF 0371077 04 36.33.11.2 36.33.11.2 36.31.31.2 36.37.21.2	CW PF 0371534 01 36.35.11.2
			B E F		A
NB PF 0371591 01 36.31.31.2	CW PF 0371534 01 36.31.51.2	JJVN PF 0371588 04 36.33.21.2 36.37.21.2 36.31.51.2 36.31.51.2	JZ PF 0371082 01 36.37.11.2	CLVR OV 0371075 04 36.31.61.2 36.31.41.2 36.31.41.2	CW PF 0371534 01 36.35.11.2
	A			C	A
NC PF 0371592 01 36.31.11.2	CW PF 0371534 01 36.31.51.2	COYG PF 0371278 04 36.31.71.2 36.31.11.2 36.31.71.2 36.31.51.2	3JMX PF 0370141 02 36.37.11.2 36.35.21.2	JHWV PF 0371584 02 36.31.71.2 36.35.11.2	CW PF 0371534 01 36.35.11.2
	A				A
COZY PF 0371271 04 36.31.01.2 36.31.11.2 36.31.31.2 36.31.51.2	JHWV PF 0371584 02 36.31.41.2 36.34.21.2	CRZV PF 0371274 04 36.31.81.2 36.33.31.2 36.33.31.2 36.31.51.2	2JMX PF 0370144 02 36.33.11.2 36.33.11.2	CHWW PF 0371252 03 36.33.11.2 36.33.11.2 36.33.11.2	CW PF 0371534 01 36.35.11.2
					A
CRZV PF 0371274 04 36.31.01.2 36.31.01.2 36.31.31.2 36.31.11.2	CLVR PF 0371075 04 36.31.51.2 36.31.31.2 36.31.31.2 36.31.31.2	CRZT PF 0371275 04 36.31.51.2 36.37.31.2 36.37.21.2 36.34.21.2	2JMX PF 0370144 02 36.33.11.2 36.37.11.2	CJNV PF 0371253 02 36.31.71.2 36.37.11.2	CJWF PF 0371268 02 36.37.21.2 36.37.21.2
JLVB PF 0371077 04 36.31.01.2 36.31.11.2 36.33.21.2 36.35.21.2	CJVV PF 0371267 02 36.31.31.2 36.31.41.2	CJWF PF 0371268 02 36.31.71.2 36.31.71.2	JMVB PF 0371079 04 36.33.11.2 36.33.11.2 36.33.11.2 36.33.11.2	CGW PF 0371251 03 36.31.31.2 36.34.11.2 36.37.21.2	C6 PF 0371263 03 36.31.61.2 36.31.51.2 36.31.61.2
CW PF 0371534 01 36.31.01.2	CW PF 0371534 01 36.31.31.2	CHVV PF 0371264 03 36.31.51.2 36.35.21.2 36.31.31.2	CKVV PF 0371269 02 36.33.11.2 36.37.11.2	CW PF 0371534 01 36.34.11.2	CGW PF 0371251 03 36.37.21.2 36.34.41.2 36.31.51.2
A	A			A	
CW PF 0371534 01 36.31.11.2	CW PF 0371534 01 36.31.41.2	CY PF 0371542 02 36.31.01.2 36.33.21.2	JZ PF 0371082 01 36.31.51.2	CW PF 0371534 01 36.34.11.2	2JMX PF 0370144 02 36.34.21.2 36.37.21.2
A	A			A	
CW PF 0371534 01 36.31.11.2	CW PF 0371534 01 36.31.41.2	CNBU PF 0371258 06 36.31.51.2 36.33.21.2 36.35.11.2 36.35.11.2	JFVP PF 0371576 04 36.33.11.2 36.35.21.2 36.37.11.2 36.34.11.2	CW PF 0371534 01 36.34.11.2	CY PF 0371542 02 36.34.21.2 36.34.21.2
A	A	E F		A	
6J PF 0371501 01 36.01.11.2	CW PF 0371534 01 36.31.41.2	CRZV PF 0371274 04 36.35.11.2 36.35.11.2 36.34.21.2 36.35.21.2	CRV6 NU 0371277 04 36.34.61.2 36.34.61.2 36.34.61.2 36.34.61.2	PP NU 0371365 04 36.34.31.2 36.34.31.2 36.34.31.2 36.34.31.2	6J PF 0371501 01 36.01.11.2
A	A			A	
CW PF 0371534 01 36.31.21.2	CPNT PF 0371259 06 36.31.41.2 36.31.41.2 36.31.41.2 36.31.51.2	J6VV PF 0371582 03 36.33.11.2 36.33.11.2 36.31.11.2 36.01.11.2	CH NU 0371266 03 36.34.51.2 36.34.51.2 36.34.51.2	CJYC NU 0371071 02 36.34.51.2 36.34.51.2	CW PF 0371534 01 36.34.31.2
A	E F			A	
CW PF 0371534 01 36.31.21.2	CY PF 0371542 02 36.31.41.2 36.31.41.2	CNWT PF 0371260 06 36.31.61.2 36.31.71.2 36.31.71.2 36.33.21.2	2JMX NU 0370144 02 36.34.51.2 36.34.51.2	JN PF 0371081 02 36.34.31.2 36.34.31.2	JZ PF 0371082 01 36.34.31.2
A		E F	E		

DATE 12-13  
TA 604A

*DO8 found CMVB  
with JM in 16k odd  
371079 is JMVB  
(unprinted card?)*

728707



	A	B	REMARKS C	D	E	F
15	CW— PF 0371534 01 36.31.21.2	CBVV PF 0371262 03 36.31.41.2 36.31.41.2 36.31.41.2	3JMX PF 0370141 02 36.33.21.2 36.33.21.2	JMVB NU 0371079 04 36.34.51.2 36.34.51.2 36.34.61.2	JN— PF 0371081 02 36.34.31.2 36.34.31.2	JZ— PF 0371082 01 36.34.31.2
	A					
16	CW— PF 0371534 01 36.35.21.2	CNHT PF 0371260 06 36.37.11.2 36.35.21.2 36.37.21.2	3JMX PF 0370141 02 36.33.21.2 36.33.21.2	CJVV NU 0371267 02 36.34.51.2 36.34.41.2	JN— PF 0371081 02 36.34.31.2	JZ— PF 0371082 01 36.34.31.2
	A	E F	E		A	
17	CW— PF 0371534 01 36.35.21.2	CJWF PF 0371268 02 36.31.61.2 36.31.61.2	3JMX PF 0370141 02 36.33.21.2 36.37.11.2	2JMX NU 0370144 02 36.34.61.2 36.34.61.2	CJVV PF 0371267 02 36.34.41.2 36.34.41.2	CW— PF 0371534 01 36.34.31.2
	A					A
18	JMVB PF 0371079 04 36.31.31.2 36.31.11.2 36.31.31.2 36.31.71.2	CLVR PF 0371075 04 36.31.61.2 36.31.11.2 36.33.21.2	JHVV PF 0371584 02 36.33.21.2 36.35.11.2	CJVV NU 0371267 02 36.34.41.2 36.34.41.2	CJVV PF 0371267 02 36.34.41.2 36.34.41.2	CW— PF 0371534 01 36.34.31.2
						A
19	COZV PF 0371271 04 36.35.21.2 36.35.21.2 36.35.21.2 36.31.51.2	CJWF PF 0371268 02 36.31.61.2 36.31.61.2	CLVR PF 0371075 04 36.31.61.2 36.31.11.2 36.35.11.2	CRZT NU 0371275 04 36.31.01.2 36.35.11.2 36.35.11.2 36.34.61.2	4JMX PF 0370142 02 36.34.21.2 36.37.21.2	JMVB PF 0371079 04 36.37.11.2 36.37.21.2 36.37.21.2 36.35.11.2
20	CRZT PF 0371275 04 36.35.21.2 36.35.21.2 36.35.21.2 36.35.21.2	CKVV PF 0371269 02 36.31.61.2 36.31.61.2	CW— 100 0371534 01 36.33.21.2	COZT PF 0371272 04 36.34.51.2 36.31.01.2 36.34.31.2 36.31.61.2	JH— PF 0371586 02 36.31.31.2 36.31.31.2	CLVR PF 0371075 04 36.31.31.2 36.31.71.2 36.31.61.2 36.01.11.2
		A				
21	CW— PF 0371273 04 36.35.21.2 36.35.21.2 36.35.21.2 36.35.21.2	CJVV PF 0371267 02 36.34.41.2 36.31.11.2	USED ONTUSED 01 36.01.11.2	USED ONTUSED 01 36.01.11.2	JMVB PF 0371079 04 36.34.61.2 36.35.11.2 36.31.61.2	CW— PF 0371534 01 36.01.11.2
		A	A	A	A	A
22	N6TF PF 0371635 04 36.31.01.2 36.35.21.2 36.31.01.2	CBVV PF 0371262 03 36.35.21.2 36.33.21.2 36.35.21.2	CW— PF 0371273 04 36.01.11.2 36.31.51.2	CW— XSS 0371534 01 36.31.71.2	COZV PF 0371271 04 36.01.11.2 36.35.21.2 36.01.11.2	CKWF PF 0371270 02 36.01.11.2 36.01.11.2
	D		A C D	A		
23	NT— PF 0371671 01 36.31.01.2	CKVV PF 0371269 02 36.31.61.2 36.37.11.2	USED R-S ONTUSED 01 36.01.11.2	CKYC XSS 0371072 02 36.31.71.2		
			A	B		
24						
25						
26						

DATE 12.11.63  
TA 604A

100 char printer  
C20 found blank

C22 mounted in place

728767



A	B	C	D	E	F
1	2	3	4	5	6
7	8	9	10	11	12
13	14	15	16	17	18
19	20	21	22	23	24
25	26	27	28	29	30
31	32	33	34	35	36
37	38	39	40	41	42
43	44	45	46	47	48
49	50	51	52	53	54
55	56	57	58	59	60
61	62	63	64	65	66
67	68	69	70	71	72
73	74	75	76	77	78
79	80	81	82	83	84
85	86	87	88	89	90
91	92	93	94	95	96
97	98	99	100	101	102
103	104	105	106	107	108
109	110	111	112	113	114
115	116	117	118	119	120
121	122	123	124	125	126
127	128	129	130	131	132
133	134	135	136	137	138
139	140	141	142	143	144
145	146	147	148	149	150
151	152	153	154	155	156
157	158	159	160	161	162
163	164	165	166	167	168
169	170	171	172	173	174
175	176	177	178	179	180
181	182	183	184	185	186
187	188	189	190	191	192
193	194	195	196	197	198
199	200	201	202	203	204
205	206	207	208	209	210
211	212	213	214	215	216
217	218	219	220	221	222
223	224	225	226	227	228
229	230	231	232	233	234
235	236	237	238	239	240
241	242	243	244	245	246
247	248	249	250	251	252
253	254	255	256	257	258
259	260	261	262	263	264
265	266	267	268	269	270
271	272	273	274	275	276
277	278	279	280	281	282
283	284	285	286	287	288
289	290	291	292	293	294
295	296	297	298	299	300

A14 found Blank  
 DATE 12.7.62  
 TA 1210P  
 remove if Advanced Print. Etc

E15 found Blank  
 124K feature.  
 (no base 16K)

NOT  
 TO  
 BE  
 USED  
 FOR  
 RECORDS  
 MAINTENANCE  
 PURPOSES  
 ONLY  
 THIS  
 CHART  
 IS  
 TO  
 BE  
 USED  
 FOR  
 RECORDS  
 MAINTENANCE  
 PURPOSES  
 ONLY

477748/2



	A	B	C	D	E	F
1	CLVR BA 0371075 04 32.43.31.2 32.44.51.2 32.44.51.2	CLVO BA 0371255 03 32.44.51.2 32.44.51.2 32.44.51.2	JHVB BA 0371879 04 32.42.11.2 32.42.11.2 32.42.11.2	CH BA 0371266 03 32.42.11.2 32.42.11.2 32.42.11.2	4JMX 8M 0370142 02 42.62.01.2 42.62.02.2	3JMX BA 0370141 02 32.43.11.2 32.43.11.2
2		CLVR 12K 0371075 04 32.43.31.2 42.62.01.2 42.62.03.2	JLVB BA 0371077 04 32.42.11.2 32.42.11.2 32.42.11.2	2JMX BA 0370144 02 32.42.11.2 32.42.11.2	CEE- 8M 0370140 01 42.62.01.2 42.62.01.2	CEE- BA 0370140 01 32.43.21.2 32.43.21.2
3		JMVB 8M 0371879 04 32.42.11.2 32.44.51.2 32.44.51.2	CRYG BA 0371277 04 32.44.11.2 32.44.11.2 32.44.11.2	COZV BA 0371271 04 32.44.31.2 32.44.31.2 32.44.31.2	CLVR 8M 0371075 04 42.62.01.2 42.62.01.2	CEE- BA 0370140 01 32.43.21.2 32.43.21.2
4		CLVR 8KR 0371295 04 32.43.31.2 32.44.51.2 32.44.51.2	CLYC BA 0371187 03 32.44.51.2 32.44.51.2 32.44.51.2	PO- BA 0371370 04 32.42.11.2 32.42.21.2 32.42.21.2	CKYC BA 0371872 32 32.42.11.2 32.42.31.2	CEE- 8M 0370140 01 42.62.01.2 42.62.01.2
5		CLVR CH 0371075 04 32.42.41.2	4JMX BA 0370142 02 32.45.11.2 32.45.11.2	CHVW BA 0371204 03 32.42.21.2 32.42.21.2	CLYC BA 0371071 02 32.44.31.2 32.44.31.2	CEE- 8M 0370140 01 42.62.01.2 42.62.01.2
6		CLVR 8K 0371075 04 42.62.02.2 42.62.02.2	CKWF BA 0371270 02 32.42.21.2 32.42.21.2	CLYC BA 0371071 02 32.42.41.2 32.42.41.2	CEE- 8M 0370140 01 42.62.02.2 42.62.02.2	CEE- BA 0370140 01 32.43.31.2 32.43.31.2
7		CGVV BA 0371261 03 32.45.11.2 32.45.11.2 32.45.11.2	CKVU BA 0371269 02 32.42.21.2 32.42.21.2	CLVT BA 0371073 04 32.42.41.2 32.42.41.2 32.42.21.2	CEE- 8M 0370140 01 42.62.02.2 42.62.02.2	CEE- BA 0370140 01 32.43.31.2 32.43.31.2
8		CLVR BA 0371075 04 32.43.31.2 32.44.51.2 32.44.51.2	PP- BA 0371305 04 32.42.21.2 32.42.31.2 32.45.21.2	CLVS BA 0371074 03 32.42.41.2 32.44.31.2 32.42.41.2	CJWF 8M 0371268 02 42.62.02.2 42.62.02.2	CEE- BA 0370140 01 32.43.31.2 32.43.31.2
9		3JMX BA 0370141 02 32.45.21.2 32.45.21.2	2JMX BA 0370144 02 32.42.31.2 32.45.21.2	CLVO BA 0371255 03 32.43.31.2 32.42.41.2 32.43.21.2	CJWF 12M 0371268 02 42.62.02.2	CGVV BA 0371251 03 32.43.31.2 32.43.31.2
10		3JMX BA 0370141 02 32.45.21.2 32.45.21.2	PO- BA 0371370 04 32.42.41.2 32.42.41.2	CLVR BA 0371075 04 32.42.11.2 32.42.11.2	CLVR 12M 0371075 04 42.62.03.2 42.62.03.2	CEE- BA 0370140 01 32.43.31.2 32.43.31.2
11		CGVV BA 0371262 03 32.45.21.2 32.45.21.2	CKZV BA 0371274 04 32.44.51.2 32.44.51.2	CLVR BA 0371075 04 32.44.51.2 32.44.51.2	CLVR 12M 0371075 04 42.62.03.2 42.62.03.2	CEE- BA 0370140 01 32.43.31.2 32.43.31.2
12		4JMX BA 0370142 02 32.43.31.2 32.43.31.2	CKYC 1K 0371072 02 32.42.41.2	CLVR BA 0371075 04 32.43.31.2 32.43.31.2	CEE- 12M 0370140 01 42.62.03.2 42.62.03.2	4JMX BA 0370142 02 32.43.31.2 32.43.31.2
13		JHVB BA 0371879 04 32.42.11.2 32.44.51.2 32.44.51.2	JHVB 1K2K 0371879 04 32.42.41.2	CLVR BA 0371075 04 32.44.11.2 32.44.11.2	CEE- 12M 0370140 01 42.62.03.2 42.62.03.2	CEE- BA 0370140 01 32.43.31.2 32.43.31.2
14		CRZV BA 0371271 04 32.44.51.2 32.44.51.2	CJWF 8M 0371268 02 32.44.31.2 32.44.31.2	CLVR BA 0371075 04 32.44.11.2 32.44.21.2	CEE- 12M 0370140 01 42.62.03.2 42.62.03.2	CEE- BA 0370140 01 32.43.31.2 32.43.31.2

DATE 25.3.63  
TA 1795

fontur not present  
X slot found blank

CKWF found in C07  
eds bad to pin N  
see notes of 32.42.21

1795  
728937



	A	B	C	D	E	F
15	C6HM BA 0371251 03 32.44.31.2 32.44.51.2	CJHF BA 0371266 02 32.44.31.2 32.44.51.2	CLVR BA 0371075 04 32.44.31.2 32.44.51.2	CLHX 12R 0370162 02 32.44.31.2 32.44.51.2	CEE- BA 0370166 01 32.44.31.2 32.44.51.2	
16	CLVR 1K2K 0371075 04 32.44.31.2 32.44.51.2	JHVB BA 0371075 04 32.44.31.2 32.44.51.2	COZT BA 0371272 04 32.44.31.2 32.44.51.2	CO- 1K2K 0371273 04 32.44.31.2 32.44.51.2	CLVR BA 0371075 04 32.44.31.2 32.44.51.2	CEE- BA 0370166 01 32.44.31.2 32.44.51.2
17	CRZF FCF 0371277 04 32.44.31.2 32.44.51.2	CRZV BA 0371277 04 32.44.31.2 32.44.51.2	CRZT BA 0371275 04 32.44.31.2 32.44.51.2	CKLF BK 0371270 02 32.44.31.2 32.44.51.2	CJHF 12H 0371268 02 32.44.31.2 32.44.51.2	CEE- BA 0370166 01 32.44.31.2 32.44.51.2
18	CKVV FCF 0371269 03 32.44.31.2 32.44.51.2	C6HM BA 0371251 03 32.44.31.2 32.44.51.2	CKMF BA 0371270 02 32.44.31.2 32.44.51.2	JFVP BA 0371576 04 32.44.31.2 32.44.51.2	CO- 1K2K 0371273 04 32.44.31.2 32.44.51.2	CEE- BA 0370166 01 32.44.31.2 32.44.51.2
19	CJVC FCF 0371077 02 32.44.31.2 32.44.51.2	SJMX BA 0370141 02 32.44.31.2 32.44.51.2	CKMF 124K 0371270 02 32.44.31.2 32.44.51.2	CLVF 12K 0371268 02 32.44.31.2 32.44.51.2	CJHF 1K 0371268 02 32.44.31.2 32.44.51.2	CEE- BA 0370166 01 32.44.31.2 32.44.51.2
20	CHVB FCF 0371264 03 32.44.31.2 32.44.51.2	SJMX BA 0370141 02 32.44.31.2 32.44.51.2	CHVB BA 0371253 03 32.44.31.2 32.44.51.2	CLVR BA 0371075 04 32.44.31.2 32.44.51.2	CJVC BA 0371077 02 32.44.31.2 32.44.51.2	CJVC BA 0371077 02 32.44.31.2 32.44.51.2
21	C6VV FCF 0371262 03 32.44.31.2 32.44.51.2	CKYC BA 0371072 02 32.44.31.2 32.44.51.2	CLVR BA 0371075 04 32.44.31.2 32.44.51.2	CLVR 16H 0371075 04 32.44.31.2 32.44.51.2	CJHF BA 0371268 02 32.44.31.2 32.44.51.2	CJHF BA 0371268 02 32.44.31.2 32.44.51.2
22	COZF FCF 0371272 04 32.44.31.2 32.44.51.2	CKYC 2K 0371072 02 32.44.31.2 32.44.51.2	CKMF BA 0371270 02 32.44.31.2 32.44.51.2	PP- BA 0371305 04 32.44.31.2 32.44.51.2	CEE- BA 0370166 01 32.44.31.2 32.44.51.2	CJHF BK 0371268 02 32.44.31.2 32.44.51.2
23	COVB FCF 0371276 04 32.44.31.2 32.44.51.2	JHVB BA 0371075 04 32.44.31.2 32.44.51.2	SA- BA 0371546 01 32.44.31.2 32.44.51.2	PP- BA 0371305 04 32.44.31.2 32.44.51.2	CEE- BA 0370166 01 32.44.31.2 32.44.51.2	CEE- BA 0370166 01 32.44.31.2 32.44.51.2
24			C D			
25						
26						

DATE 25.3.63  
TA 1795

O feature  
X blank

C18 is BA & blank  
marks for Island Prod. Phase 1

1795  
128937

REMARKS

	A	B	C	D	E	F	
1	CONN NO CARD 01 35.20.21.2	CONN NO CARD 01 35.20.21.2	CONN NO CARD 01 35.20.21.2	CONN NO CARD 01 35.20.21.2	CONN NO CARD 01 35.20.21.2	CONN NO CARD 01 35.20.21.2	
2	A	A	A	A	A	A	
3	CONN NO CARD 01 35.20.21.2	CONN NO CARD 01 35.20.21.2	CONN NO CARD 01 35.20.21.2	CONN NO CARD 01 35.20.21.2	CONN NO CARD 01 35.20.21.2	CONN NO CARD 01 35.20.21.2	
4	KA- BA 0371546 04 35.20.11.2 35.29.11.2 35.29.11.2 35.29.11.2	KA- BA 0371546 04 35.20.11.2 35.29.11.2 35.29.11.2 35.29.11.2	KA- BA 0371546 04 35.20.11.2 35.29.11.2 35.29.11.2 35.29.11.2	NGTF BA 0371635 04 36.41.11.2 36.41.11.2 36.41.11.2 36.41.11.2	NGTF BA 0371635 04 36.41.11.2 36.41.11.2 36.41.11.2 36.41.11.2	CKYC BA 0371072 02 36.48.21.2 36.48.21.2 36.48.21.2 36.48.21.2	
5	CRZV BA 0371274 04 35.23.11.2 35.23.11.2 35.29.11.2 35.29.11.2	CRZV BA 0371274 04 35.23.11.2 35.23.11.2 35.29.11.2 35.29.11.2	CRZV BA 0371274 04 35.23.11.2 35.23.11.2 35.29.11.2 35.29.11.2	NGTF BA 0371635 04 36.41.11.2 36.41.11.2 36.41.11.2 36.41.11.2	NGTF BA 0371635 04 36.41.11.2 36.41.11.2 36.41.11.2 36.41.11.2	KA- BA 0371546 04 36.48.11.2 36.48.11.2 36.48.11.2 36.48.11.2	
6	CRZV BA 0371274 04 35.23.11.2 35.23.11.2 35.29.11.2 35.29.11.2	CLVO BA 0371255 03 35.23.11.2 35.23.11.2 35.29.11.2 35.29.11.2	CLVO BA 0371255 03 35.23.11.2 35.23.11.2 35.29.11.2 35.29.11.2	CPWT BA 0371259 06 36.43.21.2 36.43.21.2 36.43.21.2 36.43.21.2	CY- BA 0371542 02 36.43.21.2 36.43.21.2 36.43.21.2 36.43.21.2	JLVB BA 0371077 04 36.42.02.2 36.42.02.2 36.42.02.2 36.42.02.2	
7	CLVO BA 0371255 03 35.23.11.2 35.23.11.2 35.29.11.2 35.29.11.2	CLVO BA 0371255 03 35.23.11.2 35.23.11.2 35.29.11.2 35.29.11.2	CLVO BA 0371255 03 35.23.11.2 35.23.11.2 35.29.11.2 35.29.11.2	COZV BA 0371271 04 36.43.21.2 36.43.21.2 36.43.21.2 36.43.21.2	COZV BA 0371271 04 36.43.21.2 36.43.21.2 36.43.21.2 36.43.21.2	NC- BA 0371592 01 36.43.21.2 36.43.21.2 36.43.21.2 36.43.21.2	
8	CLVO BA 0371255 03 35.23.11.2 35.23.11.2 35.29.11.2 35.29.11.2	CLVO BA 0371255 03 35.23.11.2 35.23.11.2 35.29.11.2 35.29.11.2	CLVO BA 0371255 03 35.23.11.2 35.23.11.2 35.29.11.2 35.29.11.2	CEHV BA 0371251 03 36.43.21.2 36.43.21.2 36.43.21.2 36.43.21.2	CEHV BA 0371251 03 36.43.21.2 36.43.21.2 36.43.21.2 36.43.21.2	GJ- BA 0371501 01 35.22.11.2 35.22.11.2 35.22.11.2 35.22.11.2	
9	NU- BA 0371674 02 35.20.11.2 35.29.11.2 35.29.11.2	COYS STL 0371278 04 36.46.11.2 36.47.11.2 36.47.11.2 36.46.11.2	CNMT BA 0371266 06 35.27.11.2 36.48.31.2 36.48.31.2 36.43.31.2	CHVV BA 0371264 03 36.43.21.2 36.43.21.2 36.43.21.2 36.43.21.2	CEHV BA 0371251 03 36.43.21.2 36.43.21.2 36.43.21.2 36.43.21.2	AAF- BA 0371884 01 36.48.21.2 36.48.21.2 36.48.21.2 36.48.21.2	
10	CNMT BA 0371266 06 35.27.11.2 35.27.11.2 35.29.11.2 35.29.11.2	CJVV BA 0371267 02 35.25.11.2 35.25.11.2 35.29.11.2 35.29.11.2	CRZV BA 0371274 04 36.41.11.2 36.41.11.2 36.41.11.2 36.43.31.2	CPHU BA 0371257 06 36.43.21.2 36.43.21.2 36.43.21.2 36.48.11.2	CKYC BA 0371072 02 36.48.11.2 36.48.11.2 36.48.11.2 36.48.11.2	CRZV BA 0371274 04 36.47.11.2 36.47.11.2 36.47.11.2 36.46.21.2	
11	CY- BA 0371542 02 35.24.11.2 35.24.11.2	CY- BA 0371542 02 35.25.11.2 35.25.11.2	CY- BA 0371542 02 35.26.11.2 35.26.11.2	COZV BA 0371271 04 36.43.21.2 36.43.21.2 36.43.21.2 36.43.21.2	CHVV BA 0371252 03 36.43.21.2 36.43.21.2 36.43.21.2 36.48.11.2	COZT BA 0371272 04 36.48.21.2 36.48.21.2 36.48.21.2 36.48.11.2	
12	CY- BA 0371542 02 35.24.11.2 35.24.11.2	CY- BA 0371542 02 35.25.11.2 35.25.11.2	CY- BA 0371542 02 35.26.11.2 35.26.11.2	CGVV BA 0371261 03 36.43.21.2 36.43.21.2 36.43.21.2 36.48.11.2	JMVB BA 0371079 04 36.42.31.2 36.42.31.2 36.42.31.2 36.48.11.2	NC- BA 0371592 01 36.43.21.2 36.43.21.2 36.43.21.2 36.43.21.2	
13	CY- BA 0371542 02 35.24.11.2 35.24.11.2	CY- BA 0371542 02 35.25.11.2 35.25.11.2	CY- BA 0371542 02 35.26.11.2 35.26.11.2	CGVV BA 0371261 03 36.43.21.2 36.43.21.2 36.43.21.2 36.48.11.2	CKVV BA 0371269 02 36.44.11.2 36.44.11.2 36.44.11.2 36.43.21.2	4JHR BA 0370142 02 36.45.11.2 36.45.11.2 36.45.11.2 36.45.11.2	
14	CY- BA 0371542 02 35.24.11.2 35.24.11.2	CY- BA 0371542 02 35.26.11.2 35.26.11.2	CY- BA 0371542 02 35.27.11.2 35.27.11.2	NC- BA 0371592 01 36.48.11.2 36.48.11.2 36.48.11.2 36.48.11.2	COY6 BA 0371278 04 36.48.31.2 36.48.31.2 36.48.31.2 36.48.11.2	4JHR BA 0370142 02 36.45.11.2 36.45.11.2 36.45.11.2 36.45.11.2	

DATE 29.10.63  
TA 1990A

724556  
195



REMARKS

117971

	A	B	C	D	E	F
15	CKVC BA 0371072 02 35.23.11.2 35.23.11.2	CKVC BA 0371072 02 35.23.11.2 35.23.11.2	CEK- BA 0370143 02 35.21.11.2 35.21.11.2	CO- BA 0371273 04 36.48.21.2 36.48.31.2 36.46.11.2	CRZT BA 0371273 04 36.48.21.2 36.48.21.2 35.21.11.2 36.46.11.2	GJ- BA 0371501 01 35.22.11.2
16	CPMT BA 0371259 06 35.28.11.2 35.28.11.2 35.28.21.2 35.28.21.2	CEK- BA 0370143 02 35.21.11.2 35.21.11.2	CEK- BA 0370143 02 35.21.11.2 35.21.11.2	CEH- BA 0370189 02 36.43.11.2 36.43.11.2	CEH- BA 0370143 02 36.43.11.2 36.43.11.2	CU- BA 0371535 01 36.43.21.2
17	CLVT BA 0371073 04 36.42.11.2 36.45.11.2 36.42.11.2 35.28.11.2	CLVT BA 0371073 04 36.42.11.2 36.42.11.2 36.42.11.2 35.28.21.2	NC- BA 0371502 01 36.66.21.2	CKVC BA 0371072 02 36.42.11.2	CPMU BA 0371257 06 36.42.11.2 36.42.11.2 36.42.21.2	4JHX BA 0370142 02 36.45.11.2 36.45.11.2
18	CLVT BA 0371073 04 36.42.11.2 36.42.11.2 35.28.11.2	CLVT BA 0371073 04 36.42.11.2 36.42.11.2 35.28.21.2	CG- BA 0371263 03 35.21.11.2 35.21.11.2	CKVC BA 0371072 02 36.42.11.2	CPMT BA 0371259 06 36.48.31.2	COZV BA 0371271 04 36.46.11.2
19	CGVV BA 0371262 03 35.27.11.2 35.27.11.2	CG- BA 0371263 03 35.21.11.2 35.21.11.2	CG- BA 0371263 03 35.21.11.2 35.21.11.2	JLVB BA 0371071 04 36.48.21.2	2JHX BA 0370144 02 36.43.31.2	2JHX BA 0370144 02 36.46.11.2
20	CHW BA 0371252 03 35.22.11.2 35.22.11.2	CHW BA 0371252 03 35.22.11.2 35.45.11.2	COZV BA 0371271 04 35.27.11.2 35.21.11.2 35.22.11.2	CJVV BA 0371267 02 36.48.21.2	COZV BA 0371271 04 36.47.11.2 36.43.31.2	CRZF BA 0371275 04 36.46.11.2 36.46.11.2
21	CGWH CU 0371251 03 35.26.11.2	CRZV BA 0371270 04 35.21.11.2 35.24.11.2 35.26.11.2	JHVB BA 0371071 04 36.48.11.2 35.28.11.2 35.21.11.2 36.43.31.2	COZV BA 0371271 04 36.47.11.2 36.46.11.2	NC- BA 0371592 01 36.43.31.2	JZ- BA 0371082 01 36.46.21.2
22	CGWH FE 0371251 03 35.26.11.2	CHW BA 0371252 03 35.22.11.2 35.27.11.2	CRZF BA 0371275 04 36.46.11.2	2JHX BA 0370144 02 36.46.11.2	CPMT BA 0371259 06 36.48.31.2	JN- BA 0371081 02 36.46.11.2
23	CLVR BA 0371075 04 35.28.21.2 35.28.21.2 35.28.11.2	CRZF BA 0371275 04 35.27.11.2 35.27.11.2	GJ- BA 0371501 01 35.22.11.2	CLVR BA 0371075 04 36.43.21.2 36.46.21.2 36.47.11.2 36.46.11.2	JZ- BA 0371082 01 36.47.11.2	CU- BA 0371535 01 36.46.21.2
24	CGWH BT 0371542 02 41.18.21.2	CRZV BA 0371270 04 35.24.11.2 35.25.11.2 35.26.11.2 35.27.11.2	JLVB BA 0371071 04 36.48.41.2 35.28.21.2	2JHX BA 0370144 02 36.48.21.2 35.28.21.2	NC- BA 0371592 01 36.48.21.2	CGWH BA 0371251 03 36.46.21.2 36.46.21.2 36.46.21.2
25	CGWH FM 0371251 03 41.52.11.2 41.52.11.2	CH- BA 0371262 03 35.28.21.2 36.46.11.2	COZT BA 0371272 04 36.41.11.2 36.43.11.2	CGVV BA 0371262 03 36.48.11.2 36.48.31.2	COZM DS 0371271 04 46.51.71.2 46.51.71.2	OC- BA 0371633 02 36.48.31.2
26	CGWH HD 0371251 03 41.18.21.2	CJYC RM 0371071 04 36.42.11.2 36.42.11.2	JHVB BA 0371079 04 36.41.11.2 36.48.31.2 36.46.31.2	CLVO STL 0371255 03 36.41.11.2 36.48.21.2	COZV DS 0371271 04 46.51.71.2 46.51.71.2	CGVV CF 0371262 03 36.48.11.2 36.48.31.2

DATE 29.10.63  
TA 1990A

*Oscillator  
X Blank*

724856/2





	A	B	C	D	E	F	G	H	I	J
14	CGVU BA	CGVU BA	CGVU BA	CGVU BA	CGVU BA	CGVU BA	CGVU BA	CGVU BA	CGVU BA	CGVU BA
15	CGVU BA	CGVU BA	CGVU BA	CGVU BA	CGVU BA	CGVU BA	CGVU BA	CGVU BA	CGVU BA	CGVU BA
16	CGVU BA	CGVU BA	CGVU BA	CGVU BA	CGVU BA	CGVU BA	CGVU BA	CGVU BA	CGVU BA	CGVU BA
17	CGVU BA	CGVU BA	CGVU BA	CGVU BA	CGVU BA	CGVU BA	CGVU BA	CGVU BA	CGVU BA	CGVU BA
18	CGVU BA	CGVU BA	CGVU BA	CGVU BA	CGVU BA	CGVU BA	CGVU BA	CGVU BA	CGVU BA	CGVU BA
19	CGVU BA	CGVU BA	CGVU BA	CGVU BA	CGVU BA	CGVU BA	CGVU BA	CGVU BA	CGVU BA	CGVU BA
20	CGVU BA	CGVU BA	CGVU BA	CGVU BA	CGVU BA	CGVU BA	CGVU BA	CGVU BA	CGVU BA	CGVU BA
21	CGVU BA	CGVU BA	CGVU BA	CGVU BA	CGVU BA	CGVU BA	CGVU BA	CGVU BA	CGVU BA	CGVU BA
22	CGVU BA	CGVU BA	CGVU BA	CGVU BA	CGVU BA	CGVU BA	CGVU BA	CGVU BA	CGVU BA	CGVU BA
23	CGVU BA	CGVU BA	CGVU BA	CGVU BA	CGVU BA	CGVU BA	CGVU BA	CGVU BA	CGVU BA	CGVU BA
24	CGVU BA	CGVU BA	CGVU BA	CGVU BA	CGVU BA	CGVU BA	CGVU BA	CGVU BA	CGVU BA	CGVU BA
25	CGVU BA	CGVU BA	CGVU BA	CGVU BA	CGVU BA	CGVU BA	CGVU BA	CGVU BA	CGVU BA	CGVU BA
26	CGVU BA	CGVU BA	CGVU BA	CGVU BA	CGVU BA	CGVU BA	CGVU BA	CGVU BA	CGVU BA	CGVU BA

7-777B

794229

UNIT PLUGGING CHART

61 B 3

1401

31.10.20.2

SHEET 1 OF 2

DATE APR. 19 1963

REMARKS

F TA1607B

A	B	C	D	E	F
		4JHX SBA 0370142 02 34.95.17.1 34.95.21.1	JFVN SBA 0371577 04 34.31.17.2 34.31.17.2 34.96.21.1 34.31.17.2	CKVC SBA 0371072 02 34.32.11.2 34.32.11.2	FR-- SBA 0371546 04 34.98.91.0 34.98.91.0 34.98.91.0 34.98.91.0
CHMW SBA 0371252 03 34.31.13.2 34.31.13.2 34.31.14.2	JHVB SBA 0371079 04 34.31.13.2 34.31.13.2 34.31.13.2	4JHX SBA 0370142 02 34.95.17.1 34.95.21.1	JHVV SBA 0371584 02 34.32.12.2 34.31.17.2	CKVU SBA 0371269 02 34.32.11.2 34.32.11.2	CLVR SBA 0371075 * 34.31.16.2 34.32.12.2 34.31.17.2 34.33.11.2
JF-- SBA 0371252 03 34.98.11.1 34.98.11.1 34.98.81.1	CH-- SBA 0371266 03 34.98.31.1 34.98.31.1 34.98.31.1	3JHX SBA 0370141 02 34.95.11.1 34.95.21.1	JHVV SBA 0371585 02 34.32.12.2 34.32.12.2	CLVT SBA 0371073 * 34.31.16.2 34.31.16.2 34.31.14.2 34.98.31.1	CLYC SBA 0371071 02 34.31.17.2 34.33.11.2
JHVV SBA 0371585 02 34.98.11.1 34.98.11.1	JJVA SBA 0371580 04 34.98.31.1 34.98.31.1 34.98.31.1	2JHX SBA 0370144 02 34.98.31.1 34.98.31.1	JHVV SBA 0371585 02 34.32.12.2 34.32.12.2	JGWW SBA 0371580 03 34.98.11.1 34.32.12.2 34.32.12.2	J6-- SBA 0371583 03 34.98.11.1 34.98.11.1 34.98.81.1
JHVV SBA 0371585 02 34.98.11.1 34.98.11.1	CLVT SBA 0371073 * 34.96.21.1 34.32.11.2 34.32.11.2	2JHX SBA 0370144 02 34.98.31.1 34.98.31.1	PO-- SBA 0371370 04 34.32.11.2 34.32.11.2 34.32.11.2 34.32.11.2	PO-- SBA 0371370 04 34.98.21.1 34.98.71.1 34.32.11.2 34.98.31.1	JFVP SBA 0371576 04 34.31.16.2 34.31.16.2 34.31.16.2 34.31.16.2
CHVV SBA 0371265 03 34.31.12.2 34.31.14.2	CKVU SBA 0371269 02 34.31.14.2 34.31.11.2	JZ-- SBA 0371082 01 34.31.13.2	PO-- SBA 0371370 04 34.31.15.2 34.96.21.1 34.31.17.2 34.31.17.2	PP-- SBA 0371365 04 34.32.11.2 34.31.13.2 34.98.21.1 34.98.91.1	CKVU SBA 0371269 02 34.31.17.2 34.33.11.2
JFVP SBA 0371576 04 34.31.16.2 34.31.16.2 34.31.16.2	JGWW SBA 0371580 03 34.98.21.1 34.98.21.1 34.98.21.1	PO-- SBA 0371370 04 34.98.31.1 34.98.31.1 34.31.13.2 34.98.31.1	PO-- SBA 0371370 04 34.98.71.1 34.98.71.1 34.98.31.1 34.98.31.1	PP-- SBA 0371365 04 34.98.31.1 34.98.91.1 34.98.31.1 34.31.12.2	JLVB SBA 0371077 04 34.98.21.1 34.33.11.2 34.33.11.2 34.33.11.2
JHVV SBA 0371585 02 34.98.11.1 34.98.11.1	JJVA SBA 0371580 04 34.98.31.1 34.98.31.1 34.98.31.1	JGWW SBA 0371580 03 34.95.11.1 34.95.11.1 34.95.11.1	3JHX SBA 0370141 02 34.95.21.1 34.95.21.1	CLVT SBA 0371073 * 34.31.16.2 34.31.16.2 34.31.14.2 34.98.31.1	PP-- SBA 0371365 04 34.98.31.1 34.98.91.1 34.98.31.1 34.98.31.1
J6-- SBA 0371583 03 34.98.11.1 34.98.11.1 34.98.81.1	CHVV SBA 0371265 03 34.98.31.1 34.98.31.1 34.98.31.1	JGWW SBA 0371580 03 34.95.11.1 34.95.11.1 34.95.11.1	CM-- SBA 0371534 01 34.31.13.2	JJVA SBA 0371580 04 34.98.31.1 34.98.31.1 34.98.31.1	CLYC SBA 0371071 02 34.31.17.2 34.33.11.2 34.33.11.2 34.33.11.2

704229

UNIT PLUGGING CHART

01 B 3

1401

30.10.26.2  
SHEET 2 OF 2  
DATE APR 17 1963

	A	D	REMARKS	C	D	E	F TA1607D
14	JJVP SBA 0371587 04 34.90.81.1 34.90.81.1 34.90.81.1 34.90.81.1	JLVB SBA 0371077 04 34.90.21.1 34.90.91.1 34.31.15.2 34.90.71.1	4JMX SBA 0370142 02 34.31.15.2 34.31.15.2 34.31.15.2	JF— SBA 0371579 04 34.31.15.2 34.31.15.2 34.31.15.2	CHVV SBA 0371265 03 34.31.15.2 34.90.31.1 34.90.31.1	4JHX SBA 0370142 02 34.31.15.2 34.31.15.2	
15	CKWF SBA 0371270 02 34.90.91.1 34.90.91.1	2JMX SBA 0370144 02 34.90.31.1 34.33.11.2	CLVR SBA 0371075 * 34.33.11.2 34.31.16.2 34.90.21.1	PP— SBA 0371365 04 34.90.91.1 34.90.91.1 34.90.91.1	CHLV SBA 0371252 03 34.32.11.2 34.32.16.2 34.32.16.2	JHVV SBA 0371585 02 34.33.12.2 34.33.12.2	
16	CKVV SBA 0371269 02 34.90.91.1 34.90.91.1	2JMX SBA 0370144 02 34.90.71.1 34.90.71.1	4JHX SBA 0370142 02 34.31.15.2 34.31.15.2	3JMX SBA 0370141 02 34.95.11.1 34.95.11.1	2JMX SBA 0370144 02 34.32.16.2 34.32.16.2	JGVW SBA 0371580 04 34.33.12.2 34.33.12.2	
17	4JHX SBA 0370142 02 34.90.81.1 34.90.81.1	CHVV SBA 0371264 03 34.90.71.1 34.90.71.1 34.90.51.1	JHVB SBA 0371079 04 34.90.21.1 34.31.15.2	CH— SBA 0371534 01 34.31.17.2	PP— SBA 0371365 04 34.32.16.2 34.32.16.2 34.90.81.1 34.90.21.1	JJVA SBA 0371589 04 34.31.16.2 34.31.16.2 34.33.12.2 34.33.12.2	
18	JGVW SBA 0371581 03 34.90.81.1 34.90.81.1 34.90.81.1	CH— SBA 0371266 03 34.90.91.1 34.90.91.1 34.90.51.1	JHVV SBA 0371580 02 34.90.81.1 34.90.81.1	JHVB SBA 0371079 04 34.31.15.2 34.90.71.1	PO— SBA 0371370 04 34.90.81.1 34.90.81.1 34.90.81.1	CKVV SBA 0371269 02 34.90.91.1 34.90.91.1	
19	CKWF SBA 0371270 02 34.90.31.1 34.90.31.1	JJVN SBA 0371588 04 34.90.51.1 34.90.51.1 34.90.51.1	CKVV SBA 0371254 02 34.90.21.1 34.31.11.2	CHLV SBA 0371252 03 34.90.21.1 34.33.11.2 34.90.81.1	CRY6 SBA 0371277 04 34.32.16.2 34.31.11.2 34.90.81.1	KA— SBA 0371546 04 34.90.21.1 34.90.21.1 34.90.21.1	
20	4JMX SBA 0370142 02 34.90.31.1 34.90.31.1	CHVV SBA 0371264 03 34.90.91.1 34.32.11.2 34.90.91.1	CJYC SBA 0371071 02 34.31.11.2 34.31.13.2	CY— SBA 0371542 02 34.31.16.2 34.31.15.2	4JHX SBA 0370142 02 34.32.16.2 34.32.16.2	JLVB SBA 0371077 04 34.90.21.1 34.90.21.1 34.33.12.2	
21	2JMX SBA 0370144 02 34.90.81.1 34.90.81.1	3JMX SBA 0370141 02 34.95.11.1 34.95.21.1	JH— SBA 0371586 02 34.31.16.2 34.31.11.2		4JMX SBA 0370142 02 34.31.15.2 34.31.15.2	CKWF SBA 0371270 02 34.90.81.1 34.90.81.1	
22	4JMX SBA 0370142 02 34.90.81.1 34.90.81.1	JJVP SBA 0371587 04 34.90.51.1 34.90.51.1 34.90.51.1	JLVB SBA 0371077 04 34.31.11.2 34.31.17.2 34.31.14.2	JGVW SBA 0371580 03 34.90.21.1 34.90.71.1 34.31.11.2	CKWF SBA 0371270 02 34.90.81.1 34.90.81.1	CKWF SBA 0371270 02 34.90.81.1 34.90.81.1	
23	JJ— SBA 0371590 04 34.90.81.1 34.90.81.1 34.90.81.1	3JMX SBA 0370141 02 34.95.11.1 34.95.11.1	CLVR SBA 0371075 * 34.31.14.2 34.31.11.2 34.31.13.2	CK— SBA 0371534 01 34.31.13.2		CHVV SBA 0371265 03 34.31.15.2 34.31.15.2 34.31.15.2	
24	JJVN SBA 0371588 04 34.90.91.1 34.90.71.1 34.90.91.1	J6— SBA 0371583 03 34.31.15.2 34.31.15.2 34.31.15.2	JH— SBA 0371081 02 34.31.14.2 34.31.13.2	CLVR SBA 0371075 * 34.90.21.1 34.31.14.2 34.31.13.2	4JMX SBA 0370142 02 34.32.16.2 34.32.16.2	CLVT SBA 0371073 * 34.33.12.2 34.33.12.2 34.90.21.1	
25	JLVB SBA 0371077 04 34.90.81.1 34.90.81.1 34.90.81.1	J6— SBA 0371583 03 34.31.15.2 34.31.15.2	JH— SBA 0371586 02 34.31.14.2 34.90.11.1	4JMX SBA 0370142 02 34.31.11.2 34.95.21.1	JHVV SBA 0371584 02 34.90.21.1 34.90.11.1	CKWF SBA 0371270 02 34.90.81.1 34.90.81.1	
26	CKWF SBA 0371270 02 34.90.81.1 34.90.81.1	CKVV SBA 0371254 02 34.90.91.1 34.90.91.1	CJYC SBA 0371071 02 34.31.14.2 34.31.13.2	J2— SBA 0371082 01 34.31.14.2	JGVW SBA 0371580 03 34.90.21.1 34.90.71.1 34.33.11.2	2JMX SBA 0370144 02 34.90.31.1 34.33.11.2	

CG found in F22  
mod 4-8-7-11  
= CKWF

12

CONN NO CARD 01 36.01.22.2	CONN NO CARD 01 36.01.22.2	CONN NO CARD 01 36.01.22.2	CONN NO CARD 01 36.01.22.2	CONN NO CARD 01 36.01.22.2	CONN NO CARD 01 36.01.22.2
B	A	B	A	B	B
CONN NO CARD 01 36.01.22.2	CONN NO CARD 01 36.01.22.2	CONN NO CARD 01 36.01.22.2	CONN NO CARD 01 36.01.22.2	CONN NO CARD 01 36.01.22.2	CONN NO CARD 01 36.01.22.2
B	A	A	A	B	B
CONN NO CARD 01 36.01.22.2	CONN NO CARD 01 36.01.22.2	CONN NO CARD 01 36.01.22.2	CONN NO CARD 01 36.01.22.2	CONN NO CARD 01 36.01.22.2	CONN NO CARD 01 36.01.22.2
B	B	B	A	B	B
OC-- BA 0371633 02 36.10.11.2 36.24.11.2	JLVB BA 0371077 04 36.10.11.2 36.10.21.2 36.10.21.2 36.10.21.2	CONN NO CARD 01 36.01.22.2	CONN NO CARD 01 36.01.22.2	CONN NO CARD 01 36.01.22.2	CONN NO CARD 01 36.01.22.2
		A	B	B	A
CU-- BA 0371534 01 36.10.21.2	COZT BA 0371272 04 36.11.11.2 36.10.21.2 36.10.21.2 36.24.11.2	NGXX BA 0371996 04 36.10.11.2 36.10.11.2 36.10.11.2 36.24.11.2	COZV BA 0371371 01 36.10.11.2 36.10.11.2 36.10.11.2 36.10.11.2	NGTF BA 0371635 04 36.01.11.2 36.01.11.2 36.01.11.2 36.10.21.2	NGTF BA 0371635 04 36.01.11.2 36.01.11.2 36.01.11.2 36.10.21.2
A					
JZ-- BA 0371002 01 36.10.11.2	JMVB BA 0371079 04 36.13.11.2 36.13.21.2 36.10.11.2 36.21.11.2	NSXX BA 0371996 04 36.16.11.2 36.01.21.2 36.21.11.2 36.21.11.2	CRZT BA 0371275 04 36.13.11.2 36.13.21.2 36.13.11.2 36.13.11.2	CKHF BA 0371270 02 36.13.31.2 36.14.11.2	NGXX BA 0371996 04 36.24.11.2 36.10.11.2 36.10.11.2 36.21.11.2
PP-- BA 0371365 04 36.01.21.2 36.01.21.2 36.10.11.2 36.24.11.2	COZT BA 0371272 04 36.01.21.2 36.10.11.2 36.10.11.2 36.12.11.2	COYG BA 0371278 04 36.24.11.2 36.10.11.2 36.02.11.2 36.02.11.2	CRYC BA 0371072 02 36.13.11.2 36.13.21.2	CKYC BA 0371072 02 36.13.11.2 36.13.11.2	NGXX BA 0371996 04 36.50.11.2 36.50.11.2 36.24.11.2 36.24.11.2
CHVV BA 0371265 03 36.10.11.2 36.10.11.2 36.10.11.2	CJYC BA 0371071 02 36.02.11.2 36.10.11.2	JFVR BA 0371577 04 36.24.11.2 36.10.11.2 36.21.11.2 36.21.11.2	JHVB BA 0371079 04 36.01.31.2 36.01.31.2 36.01.31.2 36.01.31.2	CRZV BA 0371274 04 36.01.31.2 36.01.31.2 36.01.31.2 36.01.31.2	OC-- BA 0371633 02 36.01.31.2 36.01.31.2
CJYC BA 0371071 02 36.01.31.2 36.01.31.2	CLVR BA 0371075 04 36.10.11.2 36.01.21.2 36.01.21.2 36.22.11.2	CG-- BA 0371265 03 36.02.11.2 36.02.11.2 36.02.11.2	CR-- BA 0371276 04 36.13.11.2 36.13.21.2 36.13.11.2 36.13.11.2	JGWW BA 0371580 03 36.02.11.2 36.02.11.2 36.11.11.2	OD-- BA 0371078 02 36.01.31.2 36.01.31.2
JHVB BA 0371079 04 36.01.31.2 36.01.31.2 36.01.31.2 36.01.31.2	CGVV BA 0371262 03 36.10.11.2 36.10.11.2 36.02.11.2	CKHF BA 0371270 02 36.13.31.2 36.13.31.2	CJYC BA 0371071 02 36.13.21.2 36.14.11.2	JZ-- BA 0371002 01 36.24.11.2	CGWW BA 0371251 03 36.50.11.2 36.50.11.2 36.10.21.2
CHVV BA 0371265 03 36.01.31.2 36.01.31.2 36.01.31.2	COZV BA 0371271 04 36.01.31.2 36.50.11.2 36.01.21.2 36.01.21.2	OD-- BA 0371078 02 36.02.11.2 36.50.11.2	CLVO BA 0371251 03 36.10.11.2 36.10.11.2 36.10.11.2 36.10.11.2	COYG BA 0371278 04 36.24.11.2 36.12.21.2 36.21.11.2 36.21.11.2	CJHF BA 0371268 02 36.50.11.2 36.50.11.2
CHVV BA 0371265 03 36.01.31.2 36.01.31.2 36.01.31.2	CU-- BA 0371534 01 36.01.31.2	CU-- BA 0371534 01 36.02.11.2	CGVV BA 0371261 03 36.21.11.2 36.13.21.2 36.10.11.2	CU-- BA 0371534 01 36.24.11.2	CKYC BA 0371072 02 36.11.11.2 36.50.11.2
	A	A		A	
JLVB BA 0371077 04 36.13.31.2 36.13.31.2 36.70.21.2 36.01.21.2	COZT BA 0371272 04 36.10.21.2 36.11.11.2 36.02.11.2 36.13.31.2	CLVR BA 0371075 04 36.14.11.2 36.10.11.2 36.16.11.2 36.13.31.2	CLVR BA 0371075 04 36.13.21.2 36.10.21.2 36.11.11.2 36.13.31.2	CGWW BA 0371251 03 36.21.11.2 36.21.11.2 36.50.11.2	COZT OVR 0371272 04 36.01.21.2 36.10.11.2 36.11.11.2 36.22.11.2
A					
CO-- BA 0371273 04 36.70.21.2 36.14.11.2 36.70.21.2 36.70.21.2	CHVV FP 0371265 03 36.70.21.2 36.70.21.2 36.70.21.2	CLVR FP 0371075 04 36.70.21.2 36.70.21.2 36.70.21.2	CLVR OVR 0371075 04 36.11.11.2 36.12.21.2 36.01.31.2 36.12.21.2 36.12.21.2	CLVR OVR 0371075 04 36.22.11.2 36.22.11.2 36.50.11.2	CKVV CM 0371269 02 36.01.31.2 36.13.21.2

DATE 12.9.63  
TA 1947A

724

CIRCUIT CARD LOCATION CHART

3754

11.0

30 40 50

60 70 80

90 100

DATE 12.9.63  
PA 1947A

	A	B	C	D	E	F	G	H	I	J	K	L	M	N	O	P	Q	R	S	T	
1																					
2																					
3																					
4																					
5																					
6																					
7																					
8																					
9																					
10																					
11																					
12																					
13																					
14																					
15																					
16																					
17																					
18																					
19																					
20																					
21																					
22																					
23																					
24																					
25																					
26																					
27																					
28																					
29																					
30																					
31																					
32																					
33																					
34																					
35																					
36																					
37																					
38																					
39																					
40																					
41																					
42																					
43																					
44																					
45																					
46																					
47																					
48																					
49																					
50																					

Operator  
X Board

NC  
NEXX  
CQZY  
CQRK  
CRZV  
JMVB

6 cards  
field wired  
36.10.21



1  
2  
3  
4  
5  
6  
7  
8  
9  
10  
11  
12  
13  
14

A	B	C	D	E	F
		COZY BA 0371271 04 36.37.41.2 36.37.41.2	CHMM BA 0371252 03 36.37.41.1 36.37.41.1	CJVV BA 0371267 03 36.37.41.2 36.37.41.2	CRZY BA 0371275 04 36.37.41.2 36.37.41.2
		CM BA 0371534 01 36.37.41.2	CM BA 0371534 01 36.37.41.2	C6VV BA 0371262 03 36.37.41.2 36.37.41.2	COZY BA 0371271 04 36.37.41.1 36.37.41.1
	JMVB BA 0371079 04 36.38.01.1 36.38.01.1	CHMM BA 0371252 03 36.37.41.1 36.37.41.1	CMNT BA 0371260 03 36.37.41.2 36.37.41.2	CJVV BA 0371267 03 36.37.41.2 36.37.41.2	CLVR BA 0371079 04 36.38.01.1 36.38.01.1
	JMVB BA 0371079 04 36.38.01.1 36.38.01.1	CMNT BA 0371260 03 36.37.41.2 36.37.41.2	CMNT BA 0371260 03 36.37.41.2 36.37.41.2	CJVV BA 0371267 03 36.37.41.2 36.37.41.2	CLVR BA 0371079 04 36.38.01.1 36.38.01.1
	AEN-NU 0371415 02 36.38.01.1 36.38.01.1	AEN-NU 0371415 02 36.38.01.1 36.38.01.1	AEN-NU 0371415 02 36.38.01.1 36.38.01.1	JMVB BA 0371079 04 36.38.01.1 36.38.01.1	CJVV BA 0371271 04 36.37.41.1 36.37.41.1
	AEN-NU 0371415 02 36.38.01.1 36.38.01.1	AEN-NU 0371415 02 36.38.01.1 36.38.01.1	AEN-NU 0371415 02 36.38.01.1 36.38.01.1	CJYC BA 0371071 02 36.38.01.1 36.38.01.1	JMVB BA 0371079 04 36.38.01.1 36.38.01.1
	AEN-NU 0371415 02 36.38.01.1 36.38.01.1	AEN-NU 0371415 02 36.38.01.1 36.38.01.1	AEN-NU 0371415 02 36.38.01.1 36.38.01.1	CLVR BA 0371079 04 36.38.01.1 36.38.01.1	COZY BA 0371271 04 36.37.41.1 36.37.41.1
	AEN-NU 0371415 02 36.38.01.1 36.38.01.1	AEN-NU 0371415 02 36.38.01.1 36.38.01.1	AEN-NU 0371415 02 36.38.01.1 36.38.01.1	CJYC BA 0371071 02 36.38.01.1 36.38.01.1	CJYC BA 0371071 02 36.38.01.1 36.38.01.1
	AEN-NU 0371415 02 36.38.01.1 36.38.01.1	AEN-NU 0371415 02 36.38.01.1 36.38.01.1	AEN-NU 0371415 02 36.38.01.1 36.38.01.1	CLVR BA 0371079 04 36.38.01.1 36.38.01.1	CJYC BA 0371071 02 36.38.01.1 36.38.01.1
	AEN-NU 0371415 02 36.38.01.1 36.38.01.1	AEN-NU 0371415 02 36.38.01.1 36.38.01.1	AEN-NU 0371415 02 36.38.01.1 36.38.01.1	CY BA 0371155 02 36.38.01.1 36.38.01.1	CLVR BA 0371075 04 36.38.01.1 36.38.01.1
	AEN-NU 0371415 02 36.38.01.1 36.38.01.1	AEN-NU 0371415 02 36.38.01.1 36.38.01.1	AEN-NU 0371415 02 36.38.01.1 36.38.01.1	JMVB BA 0371079 04 36.38.01.1 36.38.01.1	JMVB BA 0371079 04 36.38.01.1 36.38.01.1
	AEN-NU 0371415 02 36.38.01.1 36.38.01.1	AEN-NU 0371415 02 36.38.01.1 36.38.01.1	AEN-NU 0371415 02 36.38.01.1 36.38.01.1	JMVB BA 0371079 04 36.38.01.1 36.38.01.1	JMVB BA 0371079 04 36.38.01.1 36.38.01.1
	AEN-NU 0371415 02 36.38.01.1 36.38.01.1	AEN-NU 0371415 02 36.38.01.1 36.38.01.1	AEN-NU 0371415 02 36.38.01.1 36.38.01.1	JMVB BA 0371079 04 36.38.01.1 36.38.01.1	CLVR BA 0371075 04 36.38.01.1 36.38.01.1
	AEN-NU 0371415 02 36.38.01.1 36.38.01.1	AEN-NU 0371415 02 36.38.01.1 36.38.01.1	AEN-NU 0371415 02 36.38.01.1 36.38.01.1	JMVB BA 0371079 04 36.38.01.1 36.38.01.1	CLVR BA 0371075 04 36.38.01.1 36.38.01.1
	AEN-NU 0371415 02 36.38.01.1 36.38.01.1	AEN-NU 0371415 02 36.38.01.1 36.38.01.1	AEN-NU 0371415 02 36.38.01.1 36.38.01.1	CHMM BA 0371252 03 36.37.41.1 36.37.41.1	CHMM BA 0371252 03 36.37.41.1 36.37.41.1

DATE 18.6.63  
TA 1859

AEC in DO6

AEC

	A	B	C	D	E
15	AEN- NU 03714 1 02 36.39.91.2	AEN- NU 03714 1 02 36.39.91.2	AEN- NU 03714 1 02 36.39.91.2	AEN- NU 03714 1 02 36.39.91.2	CH- BA 03714 1 02 36.39.91.2
16	AEN- NU 03714 1 02 36.39.91.2	AEN- NU 03714 1 02 36.39.91.2	AEN- NU 03714 1 02 36.39.91.2	AEN- NU 03714 1 02 36.39.91.2	CH- NPF 03714 1 02 36.39.91.2
17	AEN- NU 03714 1 02 36.39.91.2	AEN- NU 03714 1 02 36.39.91.2	AEN- NU 03714 1 02 36.39.91.2	AEN- NU 03714 1 02 36.39.91.2	CH- NPF 03714 1 02 36.39.91.2
18	AEN- NU 03714 1 02 36.39.91.2	AEN- NU 03714 1 02 36.39.91.2	AEN- NU 03714 1 02 36.39.91.2	AEN- NU 03714 1 02 36.39.91.2	AEN- BA 03714 1 02 36.39.91.2
19	AEN- NU 03714 1 02 36.39.91.2	AEN- NU 03714 1 02 36.39.91.2	AEN- NU 03714 1 02 36.39.91.2	AEN- NU 03714 1 02 36.39.91.2	CH- NPF 03714 1 02 36.39.91.2
20	AEN- NU 03714 1 02 36.39.91.2	AEN- NU 03714 1 02 36.39.91.2	AEN- NU 03714 1 02 36.39.91.2	AEN- NU 03714 1 02 36.39.91.2	CH- BA 03714 1 02 36.39.91.2
21	AEN- NU 03714 1 02 36.39.91.2	AEN- NU 03714 1 02 36.39.91.2	AEN- NU 03714 1 02 36.39.91.2	AEN- NU 03714 1 02 36.39.91.2	CH- BA 03714 1 02 36.39.91.2
22	AEN- 132 03714 1 02 36.39.91.2	AEN- 132 03714 1 02 36.39.91.2	AEN- 132 03714 1 02 36.39.91.2	AEN- 132 03714 1 02 36.39.91.2	CH- NPF 03714 1 02 36.39.91.2
23	AEN- 132 03714 1 02 36.39.91.2	AEN- 132 03714 1 02 36.39.91.2	AEN- 132 03714 1 02 36.39.91.2	AEN- 132 03714 1 02 36.39.91.2	CH- NPF 03714 1 02 36.39.91.2
24	AEN- 132 03714 1 02 36.39.91.2	AEN- 132 03714 1 02 36.39.91.2	AEN- 132 03714 1 02 36.39.91.2	AEN- 132 03714 1 02 36.39.91.2	CH- NPF 03714 1 02 36.39.91.2
25	AEN- 132 03714 1 02 36.39.91.2	AEN- 132 03714 1 02 36.39.91.2	AEN- 132 03714 1 02 36.39.91.2	AEN- 132 03714 1 02 36.39.91.2	CH- NPF 03714 1 02 36.39.91.2
26	AEN- 132 03714 1 02 36.39.91.2	AEN- 132 03714 1 02 36.39.91.2	AEN- 132 03714 1 02 36.39.91.2	AEN- 132 03714 1 02 36.39.91.2	CH- NPF 03714 1 02 36.39.91.2

AEC in DIS  
DATE 18.6.63  
TA 1859

O Reature  
X Blank

YA0604K

	A	B	C	D	E	F
1						
2						
3						
4	ZKV- BA A03712687 01 A99.99.91.1	ACGVV BA A0371261 03 A99.99.91.1		ACHVH BA A0371264 03 A99.99.91.1	AJLVB BA A0371077 04 A99.99.91.1	ACKHF BA A0371270 02 A99.99.91.1
5	★ ACLVO BA A0371255 03 A34.21.31.2	★ ACKYC BA A0371072 02 A34.21.31.2		★ ACJYC BA A0371071 02 A34.10.51.2	★ ACJHF BA A0371268 02 A34.10.51.2	★ AJHVB EE A0371079 04 A34.11.11.2
6						
7						
8						
9						
10						
11						
12						
13						

★ omitted in place

794211  
14





1  
2  
3  
4  
5  
6  
7  
8  
9  
10  
11  
12  
13  
14

A	B	C	D	E	F
AED- BA 0371966 01 36.17.11.2	AED- BA 0371966 01 36.17.11.2	CKWF BA 0371270 02 36.23.21.2		UNDEFIN # 16.17.21.2	CRZY CFC 0371076 04 36.29.01.2 74.65.01.2
					X A B
JHX BA 0370114 02 36.17.11.2	CH BA 0371252 03 36.23.21.2	CLVO BA 0371255 03 36.23.21.2		OD BA 0371078 02 36.29.01.2	OD BA 0371078 02 36.29.01.2
CRZY BA 0371076 02 36.29.01.2	CHW BA 0371252 03 36.23.21.2	CLVO BA 0371255 03 36.23.21.2		OD BA 0371078 02 36.29.01.2	OD BA 0371078 02 36.29.01.2
PC BA 0371370 04 36.25.01.2	JHYB BA 0371070 04 36.25.01.2	CLVR BA 0371075 04 36.25.01.2		OD BA 0371078 02 36.29.01.2	OD BA 0371078 02 36.29.01.2
PP BA 0371336 04 36.25.01.2	CKWF BA 0371270 02 36.23.21.2	CKWF BA 0371270 02 36.23.21.2		OD BA 0371078 02 36.29.01.2	OD BA 0371078 02 36.29.01.2
CJYC BA 0371071 02 36.17.21.2	JHX BA 0370114 02 36.17.11.2	CHW BA 0371252 03 36.23.21.2		OD BA 0371078 02 36.29.01.2	OD BA 0371078 02 36.29.01.2
CGW BA 0371251 03 36.23.21.2	JHX BA 0370114 02 36.17.11.2	CR BA 0371276 04 36.23.21.2		OD BA 0371078 02 36.29.01.2	OD BA 0371078 02 36.29.01.2
COYT BA 0371277 04 36.23.21.2	CGW BA 0371251 03 36.23.21.2	CRZY BA 0371276 04 36.23.21.2		OD BA 0371078 02 36.29.01.2	OD BA 0371078 02 36.29.01.2
CI BA 0371250 03 36.23.21.2	CHW BA 0371252 03 36.23.21.2	CHW BA 0371252 03 36.23.21.2		OD BA 0371078 02 36.29.01.2	OD BA 0371078 02 36.29.01.2
	UNDEFIN # 36.17.21.2	CRNT CFC 0371259 04 74.65.01.2		OD BA 0371078 02 36.29.01.2	OD BA 0371078 02 36.29.01.2
		X A B			
UNDEFIN # 36.17.21.2	UNDEFIN # 36.17.21.2			OD BA 0371078 02 36.29.01.2	OD BA 0371078 02 36.29.01.2

DATE 18.6.63  
TA 1859

729209  
1859



9789289

CIRCUIT CARD LOCATION CHART

0107

1481

36.17.21.2

SHEET 2

DATE APR 21, 1969

REMARKS

	A	B	C	D	E	F
18	UNDEFIN 9 36.17.21.2	UNDEFIN 8 36.17.21.2	EQEV BA 0371271 02 36.29.31.2 36.17.21.2		OD-- BA 0371878 02 36.29.31.2	OD-- BA 0371878 02 36.29.31.2
19	UNDEFIN 4 36.17.21.2	UNDEFIN 9 36.17.21.2	CEYC BA 0371072 02 36.29.31.2		OD-- BA 0371078 02 36.29.31.2	OD-- BA 0371078 02 36.29.31.2
17	UNDEFIN 9 36.17.21.2	UNDEFIN 9 36.17.21.2			OD-- BA 0371878 02 36.29.31.2	OD-- BA 0371878 02 36.29.31.2
16	UNDEFIN 6 36.17.21.2	UNDEFIN 9 36.17.21.2			OD-- BA 0371878 02 36.29.31.2	OD-- BA 0371878 02 36.29.31.2
15	UNDEFIN 9 36.17.21.2	UNDEFIN 9 36.17.21.2			OD-- BA 0371878 02 36.29.31.2	OD-- BA 0371878 02 36.29.31.2
14	CAVU BA 0371309 02 36.17.21.2	CAVU BA 0371309 02 36.29.31.2	CEHF BA 0371112 02 36.29.31.2		OD-- BA 0371878 02 36.29.31.2	OD-- BA 0371878 02 36.29.31.2
13	CAVU BA 0371309 02 36.17.21.2	CAVU BA 0371309 02 36.29.31.2	CEHF BA 0371112 02 36.29.31.2		OD-- BA 0371878 02 36.29.31.2	OD-- BA 0371878 02 36.29.31.2
12	CAVU BA 0371309 02 36.17.21.2	CAVU BA 0371309 02 36.29.31.2	CEHF BA 0371112 02 36.29.31.2		OD-- BA 0371878 02 36.29.31.2	OD-- BA 0371878 02 36.29.31.2
11	CAVU BA 0371309 02 36.17.21.2	CAVU BA 0371309 02 36.29.31.2	CEHF BA 0371112 02 36.29.31.2		OD-- BA 0371878 02 36.29.31.2	OD-- BA 0371878 02 36.29.31.2
10	CAVU BA 0371309 02 36.17.21.2	CAVU BA 0371309 02 36.29.31.2	CEHF BA 0371112 02 36.29.31.2		OD-- BA 0371878 02 36.29.31.2	OD-- BA 0371878 02 36.29.31.2
9	CAVU BA 0371309 02 36.17.21.2	CAVU BA 0371309 02 36.29.31.2	CEHF BA 0371112 02 36.29.31.2		OD-- BA 0371878 02 36.29.31.2	OD-- BA 0371878 02 36.29.31.2
8	CAVU BA 0371309 02 36.17.21.2	CAVU BA 0371309 02 36.29.31.2	CEHF BA 0371112 02 36.29.31.2		OD-- BA 0371878 02 36.29.31.2	OD-- BA 0371878 02 36.29.31.2
7	CAVU BA 0371309 02 36.17.21.2	CAVU BA 0371309 02 36.29.31.2	CEHF BA 0371112 02 36.29.31.2		OD-- BA 0371878 02 36.29.31.2	OD-- BA 0371878 02 36.29.31.2
6	CAVU BA 0371309 02 36.17.21.2	CAVU BA 0371309 02 36.29.31.2	CEHF BA 0371112 02 36.29.31.2		OD-- BA 0371878 02 36.29.31.2	OD-- BA 0371878 02 36.29.31.2
5	CAVU BA 0371309 02 36.17.21.2	CAVU BA 0371309 02 36.29.31.2	CEHF BA 0371112 02 36.29.31.2		OD-- BA 0371878 02 36.29.31.2	OD-- BA 0371878 02 36.29.31.2
4	CAVU BA 0371309 02 36.17.21.2	CAVU BA 0371309 02 36.29.31.2	CEHF BA 0371112 02 36.29.31.2		OD-- BA 0371878 02 36.29.31.2	OD-- BA 0371878 02 36.29.31.2
3	CAVU BA 0371309 02 36.17.21.2	CAVU BA 0371309 02 36.29.31.2	CEHF BA 0371112 02 36.29.31.2		OD-- BA 0371878 02 36.29.31.2	OD-- BA 0371878 02 36.29.31.2
2	CAVU BA 0371309 02 36.17.21.2	CAVU BA 0371309 02 36.29.31.2	CEHF BA 0371112 02 36.29.31.2		OD-- BA 0371878 02 36.29.31.2	OD-- BA 0371878 02 36.29.31.2
1	CAVU BA 0371309 02 36.17.21.2	CAVU BA 0371309 02 36.29.31.2	CEHF BA 0371112 02 36.29.31.2		OD-- BA 0371878 02 36.29.31.2	OD-- BA 0371878 02 36.29.31.2

DATE 18.6.69  
TA 1859

729208  
1859

A	B	C	D	E	F
UNDEFIN * 71.71.11.2	CEH- MT 0370139 02 71.11.11.2 71.11.11.2	CLVR OV 0371075 04 71.31.21.2			
		A C D			
UNDEFIN * 71.71.11.2	CEH- MT 0370139 02 71.11.11.2 71.11.31.2	CG- MT 0371263 03 71.31.11.2 71.51.21.2 71.51.21.2	CKVU MT 0371269 02 71.31.11.2 71.61.11.2		
UNDEFIN * 71.71.11.2	CEH- MT 0370139 02 71.11.11.2 71.11.31.2	COZY MT 0371271 04 71.71.61.2 71.11.21.2 71.71.21.2	CKVU MT 0371269 02 71.11.21.2 71.61.11.2		
UNDEFIN * 71.71.11.2	CHWU MT 0371252 03 71.71.41.2 71.11.11.2 71.11.31.2	CHWU MT 0371252 03 71.71.41.2 71.71.21.2 71.71.21.2	CNWT MT 0371268 06 71.71.41.2 71.31.11.2		
			F C D E		
UNDEFIN * 71.71.11.2	CO- MT 0371273 04 71.11.31.2 71.31.11.2 71.11.31.2 71.11.31.2	COZY MT 0371272 04 71.71.61.2 71.71.21.2 71.71.21.2 71.11.31.2	CH- MT 0371266 03 71.71.61.2 71.71.61.2 71.71.61.2		
UNDEFIN * 71.71.11.2	CO- M3 0371273 04 71.11.11.2 71.11.11.2 71.11.31.2	CJYC MT 0371071 02 71.31.21.2 71.61.11.2	COZY MT 0371271 04 71.31.11.2 71.31.11.2 71.71.61.2		
	CO- M6 0371273 04 71.11.11.2 71.11.11.2 71.11.11.2 71.11.31.2	CHVV MT 0371265 03 71.31.11.2 71.11.11.2 71.71.21.2	3JHX MT 0370141 03 71.71.21.2		
	COZY MT 0371271 04 71.11.11.2 71.61.11.2 71.51.21.2 71.11.31.2	CKYC MT 0371072 02 71.31.11.2 71.71.61.2	CPWT MT 0371259 06 71.61.11.2 71.31.21.2 71.31.11.2 71.71.21.2		
	CH- MT 0371266 03 71.31.21.2 71.31.21.2	CGVV MT 0371262 03 71.31.11.2 71.71.21.2 71.71.41.2	JMVB MT 0371079 04 71.11.21.2 71.71.21.2 71.51.21.2		
	CRZT MT 0371275 04 71.31.11.2 71.31.11.2 71.71.41.2 71.51.21.2	ER- MT 0371276 04 71.71.21.2 71.71.21.2 71.91.21.2 71.71.21.2	CEH- MT 0370139 02 71.71.61.2 71.71.61.2		
	COY6 MT 0371278 04 71.71.41.2 71.71.21.2	CGVV MT 0371262 03 71.71.41.2 71.31.11.2	NB- MT 0371591 01 71.71.61.2		
UNDEFIN * 71.71.11.2	UNDEFIN * 71.71.11.2	CKVU MT 0371269 02 71.31.11.2 71.31.21.2	SJ- MT 0371501 01 71.71.21.2		
	CH- MT 0371266 03 71.31.11.2 71.61.11.2 71.61.11.2	JMVB MT 0371079 04 71.71.61.2 71.71.61.2 71.71.21.2	NB- MT 0371591 01 71.71.61.2		
	CHVV MT 0371265 03 71.31.11.2 71.61.11.2 71.61.11.2	CGVV MT 0371261 03 71.71.41.2 71.71.21.2 71.71.21.2	NB- MT 0371591 01 71.71.21.2		

DATE 12.11.68  
TA 604A

no MS

723545

0723545

CIRCUIT CARD LOCATION CHART

02A1

1401 71-10-11-2

SHEET 2  
DATE SEP 18, 1963

118575B

	A	B	C	D	E	F
15	JHVB MT 0371079 04 71-71-21-2 71-31-11-2 71-71-21-2	CKVU MT 0371269 02 71-11-21-2 71-51-11-2	CRZT MT 0371275 04 71-11-21-2 71-31-21-2 71-71-21-2	DHC- MT 0370372 06 71-11-21-2 71-31-21-2 71-71-21-2		
				A D F		
16	JLVB MT 0371077 04 71-71-61-2 71-71-61-2 71-71-41-2 71-31-21-2	CO- MT 0371273 04 71-51-21-2 71-51-21-2 71-51-21-2 71-61-11-2	COZT MT 0371272 04 71-11-21-2 71-31-21-2 71-31-21-2 71-31-21-2	DGT- OV 0370388 04 71-61-21-2 71-61-21-2 71-61-21-2 71-61-21-2		
17	JLVB MT 0371077 04 71-31-11-2 71-31-21-2 71-71-21-2	CHVV MT 0371265 03 71-11-11-2 71-61-11-2 71-61-11-2	PP- MT 0371365 04 71-11-11-2 71-61-11-2 71-61-11-2			
18	JLVB MT 0371077 04 71-31-11-2 71-71-41-2 71-71-41-2	CKYC MT 0371073 02 71-11-21-2 71-11-21-2	4JMX MT 0370142 03 71-71-61-2 71-71-61-2			
19	CLVO MT 0371255 03 71-11-11-2 71-11-11-2 71-71-61-2	CO- MT 0371273 04 71-51-21-2 71-51-21-2 71-51-21-2	CLVO MT 0371255 03 71-11-21-2 71-11-21-2 71-11-21-2	NW- MT 0371598 14 71-71-61-2 71-71-61-2 71-71-61-2		
20	CLVR MT 0371075 04 71-71-41-2 71-61-11-2 71-31-11-2 71-71-41-2	JLVB MT 0371077 04 71-11-11-2 71-61-11-2 71-11-11-2 71-61-11-2	DGT- 729 0370388 04 71-61-21-2 71-61-21-2 71-61-21-2			
21	TAB- M3 0370066 04 71-11-11-2 71-11-11-2 71-11-11-2 71-11-31-2	TAB- MT 0370066 04 71-11-11-2 71-11-11-2 71-11-11-2 71-11-11-2	DGT- OV 0370377 03 71-61-21-2 71-61-21-2 71-61-21-2			
22	EY- M6 0371199 08 71-11-11-2 71-11-11-2 71-11-11-2 71-11-31-2	DHF- MT 0370356 04 71-71-41-2 71-71-41-2 71-71-41-2 71-71-41-2	DEB- MT 0370277 04 71-31-21-2 71-31-21-2 71-31-21-2 71-71-41-2			
23	H B D F A	EY- M6 0371199 08 71-11-11-2 71-11-31-2	DFJ- MT 0370232 12 71-71-41-2 71-71-41-2 71-71-41-2 71-71-41-2 71-31-21-2 71-71-41-2 71-71-41-2			
24						
25						
26						

DATE 12-11-83  
TA 604A

NO M3

723545



0723545

CIRCUIT CARD LOCATION CHART  
REMARKS

02A1

1401 71-10-11-2

118575B

SHEET 3  
DATE SEP 10, 1963

NOTE 1

71-71-41-2 71-31-21-2 71-61-21-2 71-61-21-2

DATE 12.11.63  
TA 804A

723545/3

0723553

CIRCUIT CARD LOCATION CHART

02A2

1401

73.11.02.2

SHEET 1

DATE SEP 18, 1963

118575B

A	B	C	D	E	F
CKYC CM 0371077 02 70.11.21.2 70.61.31.2	CKVU CM 0371269 02 70.51.31.2 70.61.31.2	UNDEFIN * 70.51.21.2 CHVV IOC 0371265 03 73.11.11.2 * 02/03	CRZV IOC 0371274 04 73.11.61.2 73.11.61.2 73.11.61.2 73.11.61.2	CRZV IOC 0371274 04 73.11.61.2 73.11.61.2 73.11.61.2 73.11.61.2	CJYC IOC 0371077 02 73.11.61.2 73.11.61.2 73.11.61.2 73.11.61.2
CKVU CM 0371269 02 70.11.21.2 73.11.71.2	CLVO CM 0371255 03 70.51.31.2 70.61.31.2 70.11.21.2	JLVB CM 0371077 04 70.51.31.2 70.11.41.2 70.11.41.2	CHVV IOC 0371252 03 73.11.41.2 73.11.41.2 73.11.41.2	CKYC IOC 0371072 02 73.11.71.2 73.11.71.2	CLVO IOC 0371255 03 70.51.31.2 73.11.71.2 73.11.31.2 73.11.31.2
CNWT CM 0371268 06 70.11.21.2 70.11.21.2 70.61.31.2	AJMK CM 0370142 02 70.11.21.2 70.51.21.2	CRZT CM 0371275 04 70.61.41.2 70.11.41.2 70.61.41.2	CGVV IOC 0371262 03 73.11.41.2 73.11.41.2 73.11.41.2	JGWW IOC 0371580 03 73.11.61.2 73.11.61.2 73.11.61.2	CLVO IOC 0371255 03 73.11.11.2 73.11.11.2 73.11.11.2
CJYC CM 0371077 02 70.11.21.2 70.11.21.2	JMVB CM 0371079 04 70.61.31.2 70.61.21.2 70.61.31.2	COY6 CM 0371278 04 70.11.41.2 70.11.41.2	JLVB IOC 0371077 04 73.11.41.2 73.11.41.2 73.11.41.2	JGWW IOC 0371580 03 73.11.61.2 73.11.61.2 73.11.61.2	PO IOC 0371370 04 73.11.11.2 73.11.11.2
PP CM 0371365 04 70.51.31.2 70.11.21.2 70.11.21.2 70.11.41.2	CKWF CM 0371270 02 70.11.21.2 70.61.31.2	CKYC IOC 0371072 02 70.11.41.2 73.11.51.2	CHVV IOC 0371253 02 73.11.11.2 73.11.11.2	JGWW IOC 0371580 03 73.11.61.2 73.11.61.2	CKWF IOC 0371270 02 73.11.31.2 73.11.31.2 73.11.31.2
JFVP CM 0371574 04 70.51.31.2 70.11.21.2 70.11.41.2 70.11.41.2	CLVO CM 0371255 03 70.51.21.2 70.61.31.2 70.61.41.2	CKYC CM 0371072 02 70.11.41.2 70.11.41.2	CH IOC 0371266 03 73.11.21.2 73.11.21.2 73.11.21.2	CH IOC 0371266 03 73.11.41.2 73.11.41.2 73.11.51.2	CHVV IOC 0371264 03 73.11.31.2 73.11.31.2 73.11.31.2
CR CM 0371274 04 70.61.21.2 70.61.21.2 70.61.21.2	CLVO CM 0371255 03 70.51.21.2 70.51.21.2	CJWF CM 0371268 02 70.61.41.2 70.61.41.2	CH IOC 0371266 03 73.11.21.2 73.11.21.2	CH IOC 0371266 03 73.11.51.2 73.11.51.2	CJWF IOC 0371268 02 73.11.71.2 73.11.71.2
JLVB CM 0371077 04 70.11.21.2 70.11.51.2 70.51.31.2 70.51.31.2	CLVT CM 0371073 04 70.11.21.2 70.11.21.2 70.11.41.2	CRZV IOC 0371274 04 73.11.71.2 70.51.21.2 70.11.41.2	JJVP IOC 0371587 04 73.11.41.2 73.11.41.2 73.11.41.2	CKWF IOC 0371270 02 73.11.21.2	CH IOC 0371266 03 73.12.21.2 73.11.11.2 73.11.11.2
CHVV CM 0371265 03 70.61.21.2 70.11.21.2	CKYC CM 0371072 02 70.61.31.2 70.11.21.2	CLVR CM 0371079 04 70.11.41.2 70.11.41.2 70.11.41.2	PP IOC 0371365 04 73.11.21.2 73.11.11.2 73.11.71.2	CH IOC 0371534 01 73.11.11.2	JMVB IOC 0371076 04 73.12.21.2 73.11.11.2 73.11.41.2
CGVV CM 0371261 03 70.61.21.2 70.51.31.2 70.61.31.2	CNWT CM 0371268 06 70.51.31.2 70.51.21.2 70.61.31.2 70.61.41.2	CLVR CM 0371075 04 70.61.31.2 70.11.21.2 70.51.31.2 73.11.31.2	JFVP IOC 0371576 04 73.11.31.2 73.11.31.2 73.11.11.2	CKWF IOC 0371270 02 73.11.21.2 73.11.11.2	COZY IOC 0371271 04 73.11.41.2 73.11.71.2 73.11.71.2 73.11.71.2
CR CM 0371274 04 70.61.21.2 70.61.21.2 70.61.21.2	CJYC CM 0371071 02 70.61.41.2 70.11.21.2	CHVV IOC 0371265 03 73.11.11.2 73.11.31.2 73.11.21.2	CHVV IOC 0371265 03 73.11.11.2 70.11.41.2 73.11.31.2	COY6 IOC 0371278 04 73.11.51.2 73.11.31.2 73.11.61.2	JH IOC 0371586 02 73.11.31.2 73.11.61.2
UNDEFIN * 70.51.21.2	CNWT CM 0371268 06 70.11.21.2	CJYC CM 0371071 02 70.61.41.2 73.11.51.2	CRZT IOC 0371275 04 73.11.11.2 73.11.11.2 70.11.21.2	CKVU IOC 0371269 02 73.11.31.2 73.11.51.2	JJVN IOC 0371588 04 73.11.31.2 73.11.31.2 73.12.21.2 73.12.21.2
CRZV CM 0371274 04 70.11.21.2 70.11.41.2 70.61.21.2 70.51.31.2	CJWF CM 0371268 02 70.51.21.2	CHVV CM 0371265 03 70.51.31.2 70.11.41.2 70.51.31.2	CHVV CM 0371265 03 70.61.41.2 73.11.41.2 73.11.71.2	JGWW IOC 0371582 03 73.11.51.2 73.11.41.2 73.11.41.2	JGWW IOC 0371580 03 73.11.11.2 73.12.21.2 73.11.11.2
PP CM 0371365 04 70.11.41.2 70.11.21.2 70.61.21.2	CGVV CM 0371261 03 70.51.21.2 70.11.41.2	CRZV IO 0371274 04 73.11.31.2 73.11.31.2	JLVB IOC 0371077 04 73.11.41.2 73.11.41.2 73.11.31.2	CHVV IOC 0371264 03 73.11.41.2 73.11.51.2	JLVB IOC 0371077 04 73.11.41.2 73.11.21.2 73.11.31.2

DATE 12.11.68  
TA 604A

\* FBM 4106947

723553

0723553

CIRCUIT CARD LOCATION CHART

0242

1401

73.11.82.2

SHEET 2  
DATE SEP 18, 1963

	A	B	C	D	E	F
15	COZV CM 0371271 04 70.51.31.2 70.61.41.2 70.51.31.2 70.61.31.2	CGW CM 0371251 03 70.51.21.2 70.51.21.2 70.51.21.2	CHVW IOC 0371264 03 73.12.21.2 73.12.11.2 73.12.11.2	JZ IOC 0371082 01 73.11.71.2	CHVW IOC 0371264 03 73.11.61.2 73.11.51.2 73.11.51.2	CIYC IOC 0371071 02 73.11.11.2 73.11.21.2
16	CRZT CM 0371275 04 70.11.21.2 70.61.31.2 70.51.31.2 70.11.21.2	JHVB CM 0371079 04 70.61.41.2 70.11.41.2 70.51.31.2 70.51.31.2	JLVB IOC 0371077 04 73.12.11.2 73.11.31.2 73.11.31.2	JN IOC 0371081 02 73.11.71.2 73.11.71.2	PF IOC 0371365 04 73.11.71.2 73.11.11.2	CKVU IOC 0371269 02 73.11.41.2 73.11.21.2
17	CEH CM 0370139 03 70.51.31.2 70.51.31.2	CJWV CM 0371253 02 70.51.21.2 70.51.21.2	JFVN IOC 0371577 04 73.12.21.2 73.12.21.2 73.11.51.2	6JXD IOC 0370089 03 73.11.71.2 73.11.51.2	6JXD IOC 0370089 03 73.11.71.2 73.11.71.2	COZV IOC 0371271 04 73.11.11.2 73.11.21.2 73.11.31.2 73.11.11.2
18	JLVB CM 0371077 04 70.61.41.2 70.61.31.2 70.11.21.2	CJWF CM 0371268 02 70.51.21.2 70.11.41.2	COYS OV 0371278 04 73.11.31.2 73.11.31.2 73.11.51.2	6JXD IOC 0370089 03 73.11.31.2 73.11.31.2 73.11.31.2	JLVB IOC 0371077 04 73.11.21.2 73.11.21.2 73.11.31.2	6JXD IOC 0370089 03 73.11.61.2 73.11.61.2 73.11.61.2
19	CRZV CM 0371274 04 70.61.41.2 70.61.31.2 70.51.31.2 70.11.41.2	CIYC CM 0371071 02 70.61.41.2 70.61.31.2	CHVW OV 0371264 03 73.11.51.2 73.11.51.2 73.11.31.2	6JXD IOC 0370089 03 73.11.41.2 73.11.11.2 73.11.31.2	CEH IOC 0370145 04 73.11.21.2 73.11.41.2 73.11.61.2	CEH IOC 0370145 04 73.12.21.2 73.11.51.2 73.11.51.2 73.12.21.2
20	CO IOC 0371273 04 70.51.31.2 70.51.31.2 70.51.31.2 70.51.31.2	CGW CM 0371251 03 70.11.21.2 70.51.21.2 70.51.21.2	CLVR OV 0371075 04 73.11.51.2 73.11.51.2 73.11.51.2	CEH IOC 0370145 04 73.11.51.2 73.11.51.2 73.11.51.2	6JXD IOC 0370089 03 73.11.61.2 73.11.61.2	6JXD IOC 0370089 03 73.11.21.2 73.11.21.2 73.11.21.2
21	JLVB CM 0371077 04 70.61.31.2 70.51.31.2 73.12.11.2 70.61.41.2	JHVB CM 0371079 04 70.61.41.2 70.61.41.2 70.51.31.2 70.61.41.2	6JXD IOC 0370089 03 73.12.11.2 73.11.31.2	CEH IOC 0370145 04 73.11.51.2 73.11.51.2 73.11.51.2	CEH IOC 0370145 04 73.11.51.2 73.11.51.2 73.11.51.2	6JXD IOC 0370089 03 73.11.21.2 73.11.21.2 73.11.21.2
22	CGV CM 0371262 03 73.11.51.2 70.51.31.2 70.51.31.2	CLVR CM 0371075 04 73.11.51.2 70.11.21.2 70.51.31.2 70.11.41.2		CEH IOC 0370145 04 73.11.51.2 73.11.41.2 73.11.11.2 73.11.11.2	6JXD IOC 0370089 03 73.11.61.2 73.11.61.2	6JXD IOC 0370089 03 73.12.11.2 73.12.11.2 73.12.11.2
23				6JXD IOC 0370089 03 73.11.71.2 73.12.21.2 73.11.71.2		JFVA IOC 0371578 04 73.11.31.2 73.12.21.2 73.11.11.2 73.12.21.2
24				6JXD IOC 0370089 03 73.11.71.2 73.11.71.2		
25						
26						

DATE 12.11.63  
TA 604A

*CZ1 riveted in place*

723553/2

	A	B	C	D	E	F
1	3JMX SMD 0370141 02 44.15.21.2 44.15.21.2	CEH- SMD 0370357 02 44.15.01.2 44.15.01.2	CHVV SMD 0371266 03 44.92.52.1 44.15.11.2	2JMX SMD 0370141 02 44.19.01.2 44.19.01.2		CLVF SMD 0371268 02 44.92.51.1 44.92.51.1
2	3JMX SMD 0370141 02 44.15.21.2 44.15.21.2	CEH- SMD 0370357 02 44.15.01.2 44.15.01.2	PF- SMD 0371366 04 44.92.00.0 44.92.00.0	2JMX SMD 0370141 02 44.19.01.2 44.19.01.2		CLVO SMD 0371265 03 44.92.51.1 44.92.51.1
3	3JMX SMD 0370141 02 44.15.21.2 44.15.21.2	CEH- SMD 0370357 02 44.15.01.2 44.15.01.2	PF- SMD 0371366 04 44.92.00.0 44.18.01.2	CH- SMD 0371266 03 44.19.01.2 44.19.01.2	CLVR SMD 0371075 04 44.92.01.1 44.92.01.1	COZY SMD 0371271 04 44.92.51.1 44.92.02.1
4	3JMX SMD 0370141 02 44.15.21.2 44.15.21.2	CEH- SMD 0370357 02 44.15.01.2 44.15.01.2	COZY SMD 0371271 04 44.92.51.1 44.92.02.1	ILVB SMD 0371077 04 44.92.51.1 44.92.02.1		CLVO SMD 0371265 03 44.92.51.1 44.92.51.1
5	3JMX SMD 0370141 02 44.15.21.2 44.15.21.2	CEH- SMD 0370357 02 44.15.01.2 44.15.01.2	2JMX SMD 0370144 02 44.18.11.2 44.18.11.2	CKWF SMD 0371270 02 44.19.01.2 44.19.01.2	CLVF SMD 0371268 02 44.92.51.1 44.92.52.1	COZY SMD 0371272 04 44.92.51.1 44.92.51.1
6	3JMX SMD 0370141 02 44.15.21.2 44.15.21.2	CEH- SMD 0370357 02 44.15.01.2 44.15.01.2	2JMX SMD 0370144 02 44.18.11.2 44.18.11.2	2JMX SMD 0370168 02 44.19.11.2 44.19.11.2	CLVC SMD 0371071 02 44.92.01.1 44.92.02.1	CLVU SMD 0371255 02 44.92.01.1 44.92.01.1
7	3JMX SMD 0370141 02 44.15.21.2 44.15.21.2	CEH- SMD 0370357 02 44.15.01.2 44.15.01.2	2JMX SMD 0370144 02 44.18.11.2 44.18.11.2	CKWF SMD 0371270 02 44.19.01.2 44.19.01.2		ILVB SMD 0371077 04 44.92.51.1 44.92.02.1
8	3JMX SMD 0370141 02 44.15.21.2 44.15.21.2	CEH- SMD 0370357 02 44.15.01.2 44.15.01.2	COZY SMD 0371271 04 44.92.51.1 44.92.02.1	ILVB SMD 0371077 04 44.92.51.1 44.92.02.1	CHVV SMD 0371251 03 44.92.01.2 44.19.01.2	CHVB SMD 0371079 04 44.92.51.1 44.92.51.1
9	3JMX SMD 0370141 02 44.15.21.2 44.15.21.2	CEH- SMD 0370357 02 44.15.01.2 44.15.01.2	COZY SMD 0371271 04 44.92.51.1 44.92.02.1	ILVB SMD 0371077 04 44.92.51.1 44.92.02.1		CRZT SMD 037127 04 44.92.51.1 44.92.02.1
10	3JMX SMD 0370141 02 44.15.21.2 44.15.21.2		CGWW SMD 0371251 03 44.92.01.2 44.19.01.2	CH- SMD 0371266 03 44.19.01.2 44.19.01.2	CRVC SMD 0371072 02 44.92.01.1 44.19.01.2	
11	3JMX SMD 0370141 02 44.15.21.2 44.15.21.2	CRZV SMD 0371274 04 44.92.71.1 44.16.01.2	CLVC SMD 0371071 02 44.18.01.1 44.18.01.1	CGWW SMD 0371251 03 44.92.01.2 44.19.01.2	CKWF SMD 0371270 02 44.92.01.1 44.92.01.1	CGWW SMD 0371251 03 44.92.01.1 44.92.01.1
12	CEH- SMD 0370357 02 44.15.21.2 44.15.21.2	CH- SMD 0371266 03 44.19.01.2 44.19.01.2	CHVV SMD 0371266 03 44.19.01.2 44.19.01.2	CRVC SMD 0371072 02 44.92.01.1 44.19.01.2		CLVF SMD 0371268 02 44.92.51.1 44.92.51.1
13						
14	CEH- SMD 0370357 02 44.15.21.2 44.15.21.2	CH- SMD 0371266 03 44.19.01.2 44.19.01.2	JAVR SMD 0371079 04 44.92.51.1 44.92.01.1	ILVB SMD 0371077 04 44.92.51.1 44.92.02.1		CLVR SMD 0371075 04 44.92.01.1 44.92.01.1



	A	B	REMARKS	D	E	F
15	CEH- SMD 0370357 02 44.15.31.22	CH- SMD 0371126 02 44.16.06.22	CRZY SMD 0371126 02 44.16.06.22	COZY SMD 0371126 02 44.16.06.22		CJLV SMD 0371253 02 44.92.71.1
16	CEH- SMD 0370357 02 44.15.31.22	PP- SMD 0371126 02 44.16.06.22	COYC SMD 0371126 02 44.16.06.22	CHX SMD 0371126 02 44.16.06.22		JN- SMD 0371253 02 44.92.71.1
17	CEH- SMD 0370357 02 44.15.31.22	PP- SMD 0371126 02 44.16.06.22	CJLV SMD 0371126 02 44.16.06.22	CBVV SMD 0371126 02 44.16.06.22		CH- SMD 0371534 01 44.92.61.1
18	CEH- SMD 0370357 02 44.15.31.22	PO- SMD 0371126 02 44.16.06.22	CHX SMD 0371126 02 44.16.06.22	CEH- SMD 0371126 02 44.16.06.22		JZ- SMD 0371253 01 44.92.61.1
19	CEH- SMD 0370357 02 44.15.31.22	CJLF SMD 0371126 02 44.16.06.22	PO- SMD 0371126 02 44.16.06.22	CJYC SMD 0371126 02 44.16.06.22		
20	CEH- SMD 0370357 02 44.15.31.22	CJLF SMD 0371126 02 44.16.06.22	JHVR SMD 0371126 02 44.16.06.22	CJLF SMD 0371126 02 44.16.06.22		CJLF SMD 0371253 02 44.92.71.1
21	CEH- SMD 0370357 02 44.15.31.22	CJLF SMD 0371126 02 44.16.06.22	COZY SMD 0371126 02 44.16.06.22	CKYC SMD 0371126 02 44.16.06.22		
22	CEH- SMD 0370357 02 44.15.31.22	CBVV SMD 0371126 02 44.16.06.22	CRZY SMD 0371126 02 44.16.06.22			CJLV SMD 0371253 02 44.92.71.1
23	CEH- SMD 0370357 02 44.15.31.22	CBVV SMD 0371126 02 44.16.06.22	CRZY SMD 0371126 02 44.16.06.22			
24	CEH- SMD 0370357 02 44.15.31.22	JHVR SMD 0371126 02 44.16.06.22	CHX SMD 0371126 02 44.16.06.22	CHX SMD 0371126 02 44.16.06.22		
25		C D	C	B		
26						

A

B

C

D

E

F

G

H

REMARKS		C		D		E		F	
RPO NO CARD 01 46.31.11.2	RPO NO CARD 01 46.31.11.2								
RPO NO CARD 01 46.31.11.2	RPO NO CARD 01 46.31.11.2			CFD- RAM 037045 04 75.01.05.2	JRVR RAM 037045 04 75.01.05.2				
RPO NO CARD 01 46.31.11.2	RPO NO CARD 01 46.31.11.2			CLVT RAM 0371073 04 75.01.04.2	CRVU RAM 0371269 02 75.01.09.2	JLVB RAM 0371077 04 75.01.08.2			
CJMF HL 0371268 02 46.31.11.2		JVVP INC 0371268 02 46.31.11.2		COZY RAM 0371271 04 75.01.09.2	CLVY RAM 0371078 04 75.01.09.2	CRVU RAM 0371269 02 75.01.09.2			
CJMF HL 0371268 02 46.31.11.2	CLVR HL 0371075 04 46.31.11.2	AEA- INC 0371929 04 77.01.11.2		GA- RAM 0371501 01 75.01.10.2	ACA- RAM 0371929 04 75.01.09.2	CJVC RAM 0371071 02 75.01.04.2			
CLVO HL 0371255 03 46.31.11.2	CJMF HL 0371268 02 46.31.11.2	CRYG INC 0371277 04 77.01.11.2		CR- RAM 0371270 04 75.01.06.2	CLVO RAM 0371255 03 75.01.04.2	CKWF RAM 0371270 02 75.01.09.2			
CJMF HL 0371268 02 46.31.11.2	CJMF HL 0371268 02 46.31.11.2	JAVB INC 0371079 04 77.01.11.2		COZY RAM 0371271 04 75.01.09.2	CLVO RAM 0371255 03 75.01.04.2	GA- RAM 0371501 01 75.01.10.2			
CJMF HL 0371268 02 46.31.11.2	CLVO HL 0371255 03 46.31.11.2	CR- INC 0371276 04 77.01.11.2		COZY RAM 0371274 04 75.01.09.2	GA- RAM 0371501 01 75.01.10.2				
CLVA HL 0371075 04 46.31.11.2	CJMF HL 0371268 02 46.31.11.2	CLVY INC 0371075 04 77.01.11.2		CO- RAM 0371273 04 75.01.06.2	JMVB RAM 0371379 04 75.01.04.2	CH- RAM 0371266 03 75.01.08.2			
CJMF HL 0371268 02 46.31.11.2	CJMF HL 0371268 02 46.31.11.2	CH- INC 0371266 03 77.01.11.2		CR- RAM 0371273 04 75.01.09.2	JLVB RAM 0371077 04 75.01.08.2	CH- RAM 0371266 03 75.01.08.2			
CJMF HL 0371268 02 46.31.11.2	CKWF HL 0371270 02 46.31.11.2	CH- INC 0371266 03 77.01.11.2		CR2V RAM 0371274 04 75.01.06.2	JLVB RAM 0371077 04 75.01.08.2	CH- RAM 0371266 03 75.01.08.2			
	JLVB INC 0371077 04 77.01.11.2	CH- RAM 0371266 03 77.01.11.2		CR- RAM 0371276 04 75.01.05.2	JLVB RAM 0371077 04 75.01.08.2	CPVU RAM 0371254 02 75.01.08.2			
CJMF HL 0371253 02 46.31.11.2	CLVO HL 0371255 03 46.31.11.2	CJVC INC 0371071 02 77.01.11.2		CLVR RAM 0371075 04 75.01.04.2	CRVU RAM 0371269 02 75.01.09.2	CKWF RAM 0371254 02 75.01.10.2			
CJMF HL 0371268 02 46.31.11.2	CJMF HL 0371268 02 46.31.11.2	CJMF INC 0371268 02 77.01.11.2		CLVO RAM 0371255 03 75.01.04.2	CKWF RAM 0371270 02 75.01.09.2	CKWF RAM 0371254 02 75.01.08.2			

DATE 12.11.63  
TA 601A

*Columns  
C, D, E, F  
Blank*

*NO*

**722500**  
604A

0722569

CIRCUIT CARD LOCATION CHART

02A8

1401

44.38.02.2

SHEET 2  
DATE OCT 16, 1963

	A	B	C	D	E	F
15	CGHW HL 0371251 03 44.31.11.2 44.31.11.2 44.34.21.2	CLVR HL 0371075 04 44.34.21.2 44.34.21.2 44.34.21.2	CGHW INO 0371566 03 77.01.11.2 77.01.11.2 77.01.11.2	CLVO RAM 0371255 03 75.01.08.2 75.01.09.2	CKWF RAM 0371270 02 75.01.04.2 75.01.04.2	GJ- RAM 0371561 01 75.01.10.2
16	CRZY HL 0371275 04 44.34.21.2 44.31.11.2 44.31.11.2	CJYC HL 0371871 02 44.34.21.2 44.34.21.2 44.34.21.2	CH- INO 0371266 03 77.01.11.2 77.01.11.2 77.01.11.2	COZY RAM 0371272 04 75.01.06.2 75.01.08.2 75.01.16.2	GJ- RAM 0371501 01 75.01.10.2	CEJ- RAM 0370145 04 75.01.07.2 75.01.07.2 75.01.07.2 75.01.07.2
17	2JMX HL 0370144 02 44.31.11.2 44.31.11.2	KA- HL 0371586 04 44.34.21.2 44.34.21.2 75.01.09.2	AEA- INO 0371929 04 77.01.11.2 77.01.11.2 77.01.11.2	6JXD RAM 0370089 03 75.01.02.2 75.01.02.2 75.01.02.2	6JXD RAM 0370089 03 75.01.04.2 75.01.04.2 75.01.04.2	CEJ- RAM 0370145 04 75.01.07.2 75.01.07.2 75.01.07.2
18	CKWF HL 0371270 02 44.31.11.2 44.31.11.2	CKWF HL 0371270 02 44.34.11.2 44.34.11.2	GJ- INO 0371561 01 77.01.11.2	6JXD RAM 0370089 03 75.01.02.2 75.01.02.2 75.01.02.2	6JXD RAM 0370089 03 75.01.02.2 75.01.03.2	CEJ- RAM 0370145 04 75.01.06.2 75.01.06.2 75.01.05.2 75.01.06.2
19	JMVB HL 0371079 04 44.30.11.2 44.30.11.2 44.31.11.2 44.31.11.2	JLVB HL 0371077 04 44.34.11.2 44.34.21.2 44.34.21.2	CKVU INO 0371269 02 77.01.11.2 77.01.11.2	6JXD RAM 0370089 03 75.01.02.2 75.01.01.2 75.01.01.2	6JXD RAM 0370089 03 75.01.03.2 75.01.03.2	CEJ- RAM 0370145 04 75.01.05.2 75.01.06.2 75.01.06.2
20	CKVU HL 0371254 02 44.30.11.2 44.30.11.2	CKWF HL 0371270 02 44.34.11.2 44.34.11.2	CHVV INO 0371265 03 77.01.11.2 77.01.11.2 77.01.11.2	6JXD RAM 0370089 03 75.01.01.2 75.01.01.2 75.01.01.2	6JXD RAM 0370089 03 75.01.03.2 75.01.03.2	CEJ- RAM 0370145 04 75.01.05.2 75.01.05.2 75.01.05.2
21	CNBT HL 0371260 06 44.30.11.2 44.30.11.2 44.30.11.2	2JMX HL 0370144 02 44.30.11.2 44.30.11.2	CJWF INO 0371268 02 77.01.11.2 77.01.11.2	6JXD RAM 0370089 03 75.01.01.2 75.01.01.2	6JXD RAM 0370089 03 75.01.03.2 75.01.03.2	CEJ- RAM 0370145 04 75.01.05.2 75.01.05.2 75.01.05.2
22	CRZY HL 0371274 04 44.30.11.2 44.30.11.2 44.30.11.2 44.34.21.2	CHWW HL 0371252 05 44.34.11.2 44.34.11.2 44.34.11.2 44.34.21.2	CSVL INO 0371261 02 77.01.11.2 77.01.11.2		CEA- RAM 0371844 01 75.01.08.2	CRZY RAM 0371274 04 75.01.05.2 75.01.05.2 75.01.02.2
23	CRZY HL 0371274 04 44.30.11.2 44.30.11.2 44.30.11.2	COZY HL 0371272 04 44.34.11.2 44.34.11.2 44.34.11.2				
24						
25						
26						

DATE 12.11.63  
TA 604A

*Blank*

722569/2









CIRCUIT CARD LOCATION CHART

Q22A

1401

89.98.51.1

SHEET 2

DATE JUN 89, 1953

	REMARKS					
	A	B	C	D	E	F
13	DET- NO 8378373 81 89.48.18.1 89.48.18.1	DET- NO 8378373 81 89.48.18.1 89.48.18.1	DET- NO 8378373 81 89.48.18.1 89.48.18.1	DET- NO 8378373 81 89.48.18.1 89.48.18.1	NO CARD 81 89.98.18.9	NO CARD 81 89.98.18.9
14	DET- NO 8378373 81 89.48.18.1 89.48.18.1	DET- NO 8378373 81 89.48.18.1 89.48.18.1	DET- NO 8378373 81 89.48.18.1 89.48.18.1	CI- OV 8371264 83 78.11.41.2 78.11.41.2	NO CARD 81 89.98.18.9	NO CARD 81 89.98.18.9
17	DET- NO 8378373 81 89.48.18.1 89.48.18.1	DET- NO 8378373 81 89.48.18.1 89.48.18.1	DET- NO 8378373 81 89.48.18.1 89.48.18.1	CI- OV 8371264 83 78.11.41.2 78.11.41.2	NO CARD 81 89.98.18.9	NO CARD 81 89.98.18.9
18	NO CARD 81 89.98.18.9	NO CARD 81 89.98.18.9	NO CARD 81 89.98.18.9	CI- OV 8371264 83 78.11.41.2 78.11.41.2	NO CARD 81 89.98.18.9	NO CARD 81 89.98.18.9
19	NO CARD 81 89.98.18.9	NO CARD 81 89.98.18.9	NO CARD 81 89.98.18.9	CI- OV 8371264 83 78.11.41.2 78.11.41.2	NO CARD 81 89.98.18.9	NO CARD 81 89.98.18.9
20	NO CARD 81 89.98.18.9	NO CARD 81 89.98.18.9	NO CARD 81 89.98.18.9	CI- OV 8371264 83 78.11.41.2 78.11.41.2	NO CARD 81 89.98.18.9	NO CARD 81 89.98.18.9
21	NO CARD 81 89.98.18.9	NO CARD 81 89.98.18.9	NO CARD 81 89.98.18.9	CI- OV 8371264 83 78.11.41.2 78.11.41.2	NO CARD 81 89.98.18.9	NO CARD 81 89.98.18.9
22	NO CARD 81 89.98.18.9	NO CARD 81 89.98.18.9	NO CARD 81 89.98.18.9	CI- OV 8371264 83 78.11.41.2 78.11.41.2	NO CARD 81 89.98.18.9	NO CARD 81 89.98.18.9
23	NO CARD 81 89.98.18.9	NO CARD 81 89.98.18.9	NO CARD 81 89.98.18.9	CI- OV 8371264 83 78.11.41.2 78.11.41.2	NO CARD 81 89.98.18.9	NO CARD 81 89.98.18.9
24	NO CARD 81 89.98.18.9	NO CARD 81 89.98.18.9	NO CARD 81 89.98.18.9	CI- OV 8371264 83 78.11.41.2 78.11.41.2	NO CARD 81 89.98.18.9	NO CARD 81 89.98.18.9
25	NO CARD 81 89.98.18.9	NO CARD 81 89.98.18.9	NO CARD 81 89.98.18.9	CI- OV 8371264 83 78.11.41.2 78.11.41.2	NO CARD 81 89.98.18.9	NO CARD 81 89.98.18.9
26	NO CARD 81 89.98.18.9	NO CARD 81 89.98.18.9	NO CARD 81 89.98.18.9	CI- OV 8371264 83 78.11.41.2 78.11.41.2	NO CARD 81 89.98.18.9	NO CARD 81 89.98.18.9

DATE 28.5.63  
TA 1917A

0282  
BIG MS DEJ  
unwired slot

720232 / 2

572232

CIRCUIT CARD LOCATION CHART

FORM

REV. 08-31-1

REMARKS

1957

DATE JUN 25, 1963

NOTE 1  
 59.68.51.1 59.68.02.1

NOTE 2  
 59.68.60.1 59.68.51.1 59.68.40.1 59.68.30.1

NOTE 3  
 59.68.02.1 59.68.30.1 59.68.02.1 59.68.30.1

DATE 28.8.63  
TA 1917A

120222 B





CIRCUIT CARD LOCATION CHART

00XB

1401

B9.90.11.1

SHEET 2  
DATE AUG 08, 1963

REMARKS		REMARKS		REMARKS		REMARKS	
A	B	C	D	E	F	G	H
D6U-M0 0370378 03 B9.30.10.1 B9.30.11.1 B9.30.40.1	D6U-M0 0370379 04 B9.30.11.1 B9.30.11.1 B9.30.55.1 B9.30.50.1	DGT-M0 0370380 04 B9.10.31.1 B9.10.31.1 B9.10.31.1 B9.20.11.1	DGT-M0 0370380 04 B9.20.20.1 B9.20.30.1 B9.10.31.1 B9.30.11.1	D6V-M0 0370375 02 B9.10.31.1 B9.20.20.1	D6V-M0 0370378 03 B9.10.31.1 B9.10.31.1 B9.20.20.1		
D6U-M0 0370377 03 B9.30.10.1 B9.30.52.1 B9.30.52.1	D6U-M0 0370380 04 B9.30.10.1 B9.20.11.1 B9.20.10.1 B9.20.11.1	D6U-M0 0370379 04 B9.10.31.1 B9.10.31.1 B9.10.31.1 B9.10.31.1	D6U-M0 0370348 06 B9.10.30.1 B9.10.30.1 B9.10.30.1 B9.20.10.1	D6V-M0 0370375 02 B9.10.30.1 B9.10.30.1	D6V-M0 0370375 02 B9.10.20.1 B9.10.50.1		
D6A-M2 0370371 01 B9.30.31.1 B9.30.31.1	A17-M0 0370544 05 B9.20.18.1 B9.30.20.1 B9.10.10.1	D6V-M0 0370378 03 B9.20.20.1 B9.10.20.1 B9.20.11.1	D6X-M0 0370374 02 B9.10.20.1 B9.20.20.1	D6Z-M0 0370373 01 B9.30.55.1 B9.30.55.1	D6T-M0 0370216 04 B9.10.31.1 B9.10.31.1 B9.20.10.1		
NO CARD 01 B9.90.11.9	D6F-M0 0370350 02 B9.20.20.1 B9.20.20.1 B9.20.20.1 B9.20.20.1 B9.20.20.1 B9.20.20.1	D6T-M0 0370350 04 B9.20.10.1 B9.10.20.1 B9.20.20.1	D6Q-M0 0370225 03 B9.10.10.1 B9.10.10.1 B9.30.54.1	D6E-M0 0370350 02 B9.10.20.1 B9.10.20.1 B9.10.20.1 B9.10.20.1 B9.10.20.1 B9.10.20.1	D6E-M0 0370350 02 B9.10.20.1 B9.10.20.1 B9.10.20.1 B9.10.20.1 B9.10.20.1		
D6U-M0 0370348 06 B9.20.10.1 B9.20.30.1 B9.20.30.1 B9.20.30.1 B9.20.10.1	D6F-M0 0370350 02 B9.20.20.1 B9.20.20.1 B9.20.20.1 B9.20.20.1 B9.20.20.1	DFJ-M0 0370252 12 B9.10.10.1 B9.10.31.1 B9.30.52.1 B9.30.52.1 B9.30.52.1	D6V-M0 0370378 03 B9.10.10.1 B9.20.10.1 B9.10.20.1	D6H-M0 0370371 12 B9.10.30.1 B9.30.10.1 B9.10.30.1 B9.10.20.1 B9.30.10.1 B9.20.20.1 B9.20.20.1	D6U-M0 0370379 04 B9.10.10.1 B9.10.30.1 B9.10.30.1		
NO CARD 01 B9.90.11.9	DEJ-M0 0370219 03 B9.10.10.1 B9.20.10.1 B9.20.10.1	D6U-M0 0370379 04 B9.10.10.1 B9.10.10.1 B9.20.10.1	D6U-M0 0370377 05 B9.10.10.1 B9.10.10.1 B9.20.10.1	DFR-M0 0370224 04 B9.10.10.1 B9.10.31.1 B9.30.10.1	D6T-M0 0370380 04 B9.10.20.1 B9.20.11.1 B9.10.31.1		
NO CARD 01 B9.90.11.9	D6Z-M0 0370373 01 B9.30.55.1 B9.30.55.1	D6U-M0 0370379 04 B9.30.11.1	DFR-M0 0370226 04 B9.10.10.1 B9.10.31.1	D6H-M0 0370371 12 B9.10.30.1	DFQ-M0 0370225 03 B9.20.10.1 B9.30.20.1 B9.30.20.1		
TDD-M3 0370380 03 B9.20.10.1	TDE-M2 0370399 03 B9.20.10.1	TDS-M4 0370397 03 B9.20.10.1	TDR-M3 0370395 03 B9.10.10.1	TDS-M2 0370298 01 B9.10.10.1	TDR-M0 0370297 01 B9.10.10.1		
TDE-M3 0370398 04 B9.20.10.1	TDH-M2 0370396 03 B9.20.10.1	TDK-M5 0370551 03 B9.20.10.1	YBA-M3 0370296 04 B9.10.10.1	DAZ-M2 0370127 01 B9.10.10.1	YBU-M5 0370299 01 B9.10.10.1		
NO CARD 01 B9.90.11.9	D6V-M0 0370375 02 B9.30.52.1 B9.20.11.1	D6C-M0 0370372 06 B9.30.52.1 B9.30.52.1 B9.30.52.1 B9.10.31.1	D6U-M2 0370377 05 B9.20.11.1 B9.20.11.1	TFH-M0 0370018 01 B9.20.10.1	D6T-M0 0370380 04 B9.20.10.1 B9.20.11.1 B9.20.11.1		
NO CARD 01 B9.90.11.9	D6A-M2 0370374 01 B9.30.52.1 B9.30.52.1	NO CARD 01 B9.90.11.9	NO CARD 01 B9.90.11.9	NO CARD 01 B9.90.11.9	D6V-M0 0370375 02 B9.20.11.1 B9.20.11.1		
NO CARD 01 B9.90.11.9	NO CARD 01 B9.90.11.9	NO CARD 01 B9.90.11.9	NO CARD 01 B9.90.11.9	NO CARD 01 B9.90.11.9	NO CARD 01 B9.90.11.9		

DATE 20-10-63  
TA 1900A

DGX found in E17  
no M3 feature, but  
not blank, what slot.

60  
X  
plate

02B3

\* C 22  
T D G fold  
Csr. 200 BPI



0885536

CIRCUIT CARD LOCATION CHART  
REMARKS

05XB

1401 89.90.11.1

118300

SHEET 3  
DATE AUG 08, 1963

NOTE 1  
89.20.11.1 89.20.11.1 89.20.11.1  
NOTE 2  
89.30.54.1 89.30.55.1 89.30.55.1 89.30.54.1  
NOTE 3  
89.30.56.1 89.30.31.1 89.10.30.1  
NOTE 4  
89.10.31.1 89.10.31.1 89.30.11.1  
NOTE 5  
89.30.54.1 89.30.31.1 89.20.30.1 89.10.31.1

DATE 20.10.63  
TA 1990A

0885536/3







HT29034

UNIT PLUGGING CHART

92-R-0

1001

61-50-00-2

SHEET 1 OF 2  
DATE AUG 29, 1962

REMARKS

A	B	C	D	E	F
CGVU IN 6371267 41.50.01 41.50.01	CGVU IN 6371267 41.50.01 41.50.01	CHVU IN 6371267 41.50.01 41.50.01	CHVU IN 6371267 41.50.01 41.50.01	CGVU IN 6371267 41.50.01 41.50.01	CGVU IN 6371267 41.50.01 41.50.01
CLVO IN 6371255 41.50.01 41.50.01	3JMX IN 6371255 41.50.01 41.50.01	PO IN 6371255 41.50.01 41.50.01	CGVU IN 6371255 41.50.01 41.50.01	CLVO IN 6371255 41.50.01 41.50.01	CHVU IN 6371255 41.50.01 41.50.01
CLVO IN 6371267 41.50.01 41.50.01	3JMX IN 6371267 41.50.01 41.50.01	CHVU IN 6371267 41.50.01 41.50.01	JWVB IN 6371267 41.50.01 41.50.01	CKVF IN 6371267 41.50.01 41.50.01	JWVB IN 6371267 41.50.01 41.50.01
CKVF IN 6371267 41.50.01 41.50.01	3JMX IN 6371267 41.50.01 41.50.01	PO IN 6371267 41.50.01 41.50.01	CRZT IN 6371267 41.50.01 41.50.01	CKVU IN 6371267 41.50.01 41.50.01	CKVU IN 6371267 41.50.01 41.50.01
CHVU IN 6371267 41.50.01 41.50.01	CGVU IN 6371267 41.50.01 41.50.01	CLVO IN 6371267 41.50.01 41.50.01	CLVO IN 6371267 41.50.01 41.50.01	CRZT IN 6371267 41.50.01 41.50.01	CLVO IN 6371267 41.50.01 41.50.01
CGVU IN 6371267 41.50.01 41.50.01	CGVU IN 6371267 41.50.01 41.50.01	CGVU IN 6371267 41.50.01 41.50.01	CGVU IN 6371267 41.50.01 41.50.01	CGVU IN 6371267 41.50.01 41.50.01	CGVU IN 6371267 41.50.01 41.50.01
CGVU IN 6371267 41.50.01 41.50.01	CGVU IN 6371267 41.50.01 41.50.01	CGVU IN 6371267 41.50.01 41.50.01	CGVU IN 6371267 41.50.01 41.50.01	CGVU IN 6371267 41.50.01 41.50.01	CGVU IN 6371267 41.50.01 41.50.01
CGVU IN 6371267 41.50.01 41.50.01	CGVU IN 6371267 41.50.01 41.50.01	CGVU IN 6371267 41.50.01 41.50.01	CGVU IN 6371267 41.50.01 41.50.01	CGVU IN 6371267 41.50.01 41.50.01	CGVU IN 6371267 41.50.01 41.50.01
CGVU IN 6371267 41.50.01 41.50.01	CGVU IN 6371267 41.50.01 41.50.01	CGVU IN 6371267 41.50.01 41.50.01	CGVU IN 6371267 41.50.01 41.50.01	CGVU IN 6371267 41.50.01 41.50.01	CGVU IN 6371267 41.50.01 41.50.01
CGVU IN 6371267 41.50.01 41.50.01	CGVU IN 6371267 41.50.01 41.50.01	CGVU IN 6371267 41.50.01 41.50.01	CGVU IN 6371267 41.50.01 41.50.01	CGVU IN 6371267 41.50.01 41.50.01	CGVU IN 6371267 41.50.01 41.50.01

DATE 14.11.62  
TA 1681

CH 1001  
CHVU 1001

X 1001



0729036

UNIT PLUGGING CHART

02 B 6

1497

01.58.00.2

SHEET 2 OF 2  
DATE: AUG 29, 1962

REMARKS

	A	B	C	D	E	F
14	CHVV IN 037126 03 41.58.01.2 41.58.01.2	SJMX IN 037011 02 41.58.01.2 41.58.01.2	SJMX IN 037011 02 41.58.01.2 41.58.01.2	CSVV IN 037126 03 41.58.01.2 41.58.01.2	CKVV IN 037126 03 41.58.01.2 41.58.01.2	CLVO CH 037126 03 41.58.01.2 41.58.01.2
15	CKVV IN 037126 03 41.58.01.2 41.58.01.2	CJMF IN 037126 03 41.58.01.2 41.58.01.2	SJMX IN 037011 02 41.58.01.2 41.58.01.2	JHVV IN 037126 03 41.58.01.2 41.58.01.2	CU IN 037153 01 41.58.01.2 41.58.01.2	COZV CH 037126 03 41.58.01.2 41.58.01.2
16	SJMX IN 037011 02 41.58.01.2 41.58.01.2	CKVV IN 037126 03 41.58.01.2 41.58.01.2	SJMX IN 037011 02 41.58.01.2 41.58.01.2	JMVB IN 037126 03 41.58.01.2 41.58.01.2	CJMF BK 037126 03 41.58.01.2 41.58.01.2	CJMF CH 037126 03 41.58.01.2 41.58.01.2
17	CHVV IN 037126 03 41.58.01.2 41.58.01.2	CKVF BH 037127 02 41.58.01.2 41.58.01.2	SJMX IN 037011 02 41.58.01.2 41.58.01.2	COZT IN 037127 02 41.58.01.2 41.58.01.2	CLVS IN 037127 02 41.58.01.2 41.58.01.2	CLVO CH 037126 03 41.58.01.2 41.58.01.2
18	CJVC IN 037107 02 41.58.01.2 41.58.01.2	CU IN 037153 01 41.58.01.2 41.58.01.2	CR IN 037127 02 41.58.01.2 41.58.01.2	CJMF IN 037126 03 41.58.01.2 41.58.01.2	CJVC IN 037107 02 41.58.01.2 41.58.01.2	CKVV CH 037126 03 41.58.01.2 41.58.01.2
19	CSVV IN 037126 03 41.58.01.2 41.58.01.2	CHVV IN 037126 03 41.58.01.2 41.58.01.2	COZT IN 037127 02 41.58.01.2 41.58.01.2	CRZV IN 037127 02 41.58.01.2 41.58.01.2	JLVB IN 037107 02 41.58.01.2 41.58.01.2	CKVV CH 037126 03 41.58.01.2 41.58.01.2
20	CU IN 037153 01 41.58.01.2 41.58.01.2	CJVC IN 037107 02 41.58.01.2 41.58.01.2	SJMX BH 037011 02 41.58.01.2 41.58.01.2	CU IN 037153 01 41.58.01.2 41.58.01.2	UNDEFIN # 037153 01 41.58.01.2 41.58.01.2	JHVB IN 037126 03 41.58.01.2 41.58.01.2
21	CU IN 037153 01 41.58.01.2 41.58.01.2	CSVV IN 037126 03 41.58.01.2 41.58.01.2	CS IN 037126 03 41.58.01.2 41.58.01.2	CLVV IN 037126 03 41.58.01.2 41.58.01.2	UNDEFIN # 037153 01 41.58.01.2 41.58.01.2	CJVC CH 037107 02 41.58.01.2 41.58.01.2
22	CU IN 037153 01 41.58.01.2 41.58.01.2	CLVR IN 037107 02 41.58.01.2 41.58.01.2	CO IN 037126 03 41.58.01.2 41.58.01.2	CHVV IN 037126 03 41.58.01.2 41.58.01.2	UNDEFIN # 037153 01 41.58.01.2 41.58.01.2	CLVR IN 037107 02 41.58.01.2 41.58.01.2
23	CU IN 037153 01 41.58.01.2 41.58.01.2	CJMF IN 037126 03 41.58.01.2 41.58.01.2	CG BH 037126 03 41.58.01.2 41.58.01.2	CJMF IN 037126 03 41.58.01.2 41.58.01.2	UNDEFIN # 037153 01 41.58.01.2 41.58.01.2	CKVV CH 037126 03 41.58.01.2 41.58.01.2
24	CP IN 037126 03 41.58.01.2 41.58.01.2	JLVB IN 037107 02 41.58.01.2 41.58.01.2	CO IN 037126 03 41.58.01.2 41.58.01.2	CKVV IN 037126 03 41.58.01.2 41.58.01.2	UNDEFIN # 037153 01 41.58.01.2 41.58.01.2	CU IN 037153 01 41.58.01.2 41.58.01.2
25	CP IN 037126 03 41.58.01.2 41.58.01.2	CKVV IN 037126 03 41.58.01.2 41.58.01.2	CG IN 037126 03 41.58.01.2 41.58.01.2	COZT IN 037127 02 41.58.01.2 41.58.01.2	UNDEFIN # 037153 01 41.58.01.2 41.58.01.2	CU IN 037153 01 41.58.01.2 41.58.01.2
26	CRZV IN 037127 02 41.58.01.2 41.58.01.2	CSVV BH 037126 03 41.58.01.2 41.58.01.2	CG IN 037126 03 41.58.01.2 41.58.01.2	CSVV IN 037126 03 41.58.01.2 41.58.01.2	CHVV IN 037126 03 41.58.01.2 41.58.01.2	COZV CH 037127 02 41.58.01.2 41.58.01.2

DATE 14.11.62  
TA 1631

NO CLK  
NO RAS  
NO LUT

7290

REMARKS

7A18834

A	B	C	D	E	F
CJWF SMD 0371268 02 44.11.31.2	CKYC SMD 0371072 02 44.13.11.2	CRZY SMD 0371274 04 44.13.10.2	CH-- SMD 0371266 03 44.13.10.2	CGVU SMD 0371261 03 44.13.10.2	
CJYC SMD 0371071 02 44.11.31.2	CKWF SMD 0371270 02 44.13.11.2	CRYG SMD 0371278 04 44.13.10.2	COZT SMD 0371275 04 44.13.10.2	CU-- SMD 0371538 01 44.10.01.2	
CU-- SMD 0371534 01 44.13.31.2	CKWF SMD 0371278 02 44.13.31.2	COYG SMD 0371278 04 44.11.01.2	CJVV SMD 0371267 02 44.13.01.2	CLVR SMD 0371075 04 44.13.11.2	CKWF SMD 0371278 02 44.12.01.2
CJYC SMD 0371071 02 44.11.01.2	CJYC SMD 0371071 02 44.14.31.2	COZT SMD 0371272 04 44.02.11.1	PP-- SMD 0371365 04 44.12.01.2	PO-- SMD 0371370 04 44.14.01.2	2JHX SMD 0370184 02 44.12.01.2
				02,03,04	01
CJWF SMD 0371268 02 44.11.01.2	CJYC SMD 0371071 02 44.14.11.2	JFVP SMD 0371278 04 44.13.10.2	JWVB SMD 0371079 04 44.13.01.2	CKVC SMD 0371072 02 44.12.11.2	CJWF SMD 0371268 02 44.02.42.1
CJYC SMD 0371071 02 44.11.21.2	CKWF SMD 0371268 02 44.11.11.2	COYG SMD 0371278 04 44.13.10.2	CGVU SMD 0371261 03 44.13.10.2	CKWF SMD 0371270 02 44.12.11.2	CLV6 SMD 0371255 04 44.02.33.1
CJYC SMD 0371071 02 44.11.11.2	CHVV SMD 0371264 03 44.10.11.2	CRYG SMD 0371277 04 44.13.10.2	CH-- SMD 0371264 03 44.13.10.2	CLV3 SMD 0371073 04 44.02.42.1	
JLVB SMD 0371077 04 44.12.01.2	CHVV SMD 0371252 03 44.10.21.2	CJWF SMD 0371268 02 44.13.21.2	2JHX SMD 0370184 02 44.13.01.2	CLVT SMD 0371073 04 44.13.10.2	CLVR SMD 0371075 04 44.13.01.2
CJYC SMD 0371071 02 44.12.01.2	CHVV SMD 0371252 03 44.12.01.2	CKWF SMD 0371270 02 44.13.21.2	CLVR SMD 0371075 04 44.13.10.2	CLV3 SMD 0371078 04 44.02.42.1	JLVB SMD 0371077 04 44.11.11.2
CJYC SMD 0371071 02 44.12.01.2	CHVV SMD 0371252 03 44.02.11.2	CRZY SMD 0371275 04 44.13.10.2	CLVR SMD 0371075 04 44.13.10.2	CKWF SMD 0371268 02 44.02.42.1	
	03				
CU-- SMD 0371534 01 44.12.01.2	CHVV SMD 0371252 03 44.13.31.2	KA-- SMD 0371346 04 44.13.10.2	CLVR SMD 0371075 04 44.13.10.2	CKVU SMD 0371260 02 44.13.31.2	JWVB SMD 0371079 04 44.02.42.1

modified CH  
found B13

784235

Handwritten marks and symbols at the bottom right of the page.

794235

UNIT PLUGGING CHART 02 2 7

1001

DA. 02.20.1

SHEET 2 OF 2  
DATE JUL 18 1963

REMARKS

F 7A1359C

A	B	C	D	E	F
CG— SMD 0371263 02 44.11.01.2 44.12.01.2	CLVR SMD 0371075 02 44.11.11.2 44.12.01.2	CJWF SMD 0371268 02 44.12.01.2 44.12.01.2	CKWF SMD 0371270 02 44.12.01.2 44.12.01.2	CGVV SMD 0371260 02 44.12.01.2 44.12.01.2	CRVC SMD 0371072 02 44.12.01.2 44.12.01.2
CJYC SMD 0371071 02 44.11.01.2 44.12.01.2	CKWH SMD 0371253 02 44.11.01.2 44.12.01.2	COZV SMD 0371271 02 44.11.01.2 44.12.01.2	CLVR SMD 0371075 02 44.11.01.2 44.12.01.2	CLVR SMD 0371075 02 44.11.01.2 44.12.01.2	CJYC SMD 0371071 02 44.12.01.2 44.12.01.2
CKWF SMD 0371270 02 44.11.01.2 44.12.01.2	CGWH SMD 0371251 02 44.11.01.2 44.12.01.2	PO— SMD 0371370 04 44.10.01.2 44.10.01.2	CLVR SMD 0371075 02 44.12.01.2 44.12.01.2	CMNT SMD 0371260 06 44.12.01.2 44.12.01.2	JN— SMD 0371081 02 44.12.01.2 44.12.01.2
JLVB SMD 0371077 04 44.11.01.2 44.12.01.2	CKYC SMD 0371072 02 44.11.01.2 44.12.01.2	PO— SMD 0371370 04 44.11.01.2 44.12.01.2	CRY6 SMD 0371277 04 44.11.01.2 44.12.01.2	CKWF SMD 0371270 02 44.11.01.2 44.12.01.2	CL— SMD 0371330 01 44.12.01.2 44.12.01.2
CKYC SMD 0371072 02 44.11.01.2 44.12.01.2	JLVB SMD 0371077 04 44.11.01.2 44.12.01.2	PP— SMD 0371365 04 44.10.01.2 44.10.01.2	CLVR SMD 0371075 02 44.13.01.2 44.13.01.2	CRZT SMD 0371275 04 44.12.01.2 44.12.01.2	J7— SMD 0371082 01 44.12.01.2 44.12.01.2
CJYC SMD 0371071 02 44.12.01.2 44.12.01.2	JHVB SMD 0371079 04 44.10.01.2 44.11.01.2	PP— SMD 0371365 04 44.10.01.2 44.10.01.2	CLVR SMD 0371075 02 44.13.01.2 44.14.01.2	CMNT SMD 0371260 04 44.10.01.2 44.12.01.2	CL— SMD 0371330 01 44.12.01.2 44.12.01.2
CKYC SMD 0371072 02 44.12.01.2 44.12.01.2	JHVB SMD 0371079 04 44.12.01.2 44.13.01.2	CEH— SMD 0370139 02 44.10.01.2 44.10.01.2	CRZT SMD 0371272 04 44.13.01.2 44.13.01.2	CPIT SMD 0371259 04 44.13.01.2 44.13.01.2	CHVV SMD 0371265 03 44.10.01.2 44.10.01.2
CJWF SMD 0371268 02 44.13.01.2 44.12.01.2	JHVB SMD 0371079 04 44.13.01.2 44.14.01.2	2JHX SMD 0370140 02 44.10.01.2 44.10.01.2	PO— SMD 0371370 04 44.10.01.2 44.11.01.2	CJWF SMD 0371268 02 44.11.01.2 44.11.01.2	CJWF SMD 0371268 02 44.12.01.2 44.12.01.2
CJYC SMD 0371071 02 44.13.01.2 44.12.01.2	JHVB SMD 0371079 04 44.11.01.2 44.10.01.2	COZT SMD 0371272 04 44.10.01.2 44.11.01.2	CLVR SMD 0371075 02 44.12.01.2 44.12.01.2	COZV SMD 0371271 02 44.12.01.2 44.12.01.2	CJWF SMD 0371268 02 44.12.01.2 44.12.01.2
CJYC SMD 0371071 02 44.12.01.2 44.11.01.2	CGWH SMD 0371261 03 44.14.01.2 44.13.01.2	COZT SMD 0371272 04 44.13.01.2	CJYC SMD 0371071 02 44.14.01.2 44.12.01.2	CRZV SMD 0371274 04 44.12.01.2 44.12.01.2	CLVR SMD 0371075 02 44.12.01.2 44.13.01.2
CKWF SMD 0371270 02 44.13.01.2 44.13.01.2	CHVV SMD 0371264 03 44.10.01.2 44.14.01.2	JLVB SMD 0371077 04 44.11.01.2 44.11.01.2	JLVB SMD 0371077 04 44.13.01.2 44.12.01.2	JHVB SMD 0371079 04 44.11.01.2 44.12.01.2	CLVR SMD 0371075 02 44.12.01.2 44.13.01.2
CKWF SMD 0371270 02 44.13.01.2 44.13.01.2	CHVV SMD 0371265 03 44.10.01.2 44.14.01.2	2JHX SMD 0370144 02 44.13.01.2 44.13.01.2	CLVR SMD 0371075 02 44.13.01.2 44.11.01.2	CGVV SMD 0371260 02 44.11.01.2 44.12.01.2	
	CGWH SMD 0371251 03 44.14.01.2 44.14.01.2	CJWF SMD 0371268 02 44.11.01.2 44.13.01.2	CRZV SMD 0371274 04 44.12.01.2 44.11.01.2	CR— SMD 0371274 04 44.12.01.2 44.12.01.2	CJWF SMD 0371268 02 44.12.01.2 44.12.01.2

A  
B  
C  
D  
E  
F  
G

A  
B  
C  
D  
E  
F  
G  
H

794235  
12

IBM



6794022

CIRCUIT CARD LOCATION CHART

0288

1401 31.91.10-2

TA19888 SHEET 1 DATE JAN 14 1964

	A	B	REMARKS	D	E	F
1						
2						
3				MU - SBA 0371598 04 31.92.21.1 31.92.21.1		JFVN SBA 0371577 04 31.92.21.1 31.92.21.1 31.92.21.1 31.92.21.1
4	JFVA SBA 0371578 04 31.92.24.1 31.92.24.1		JFVN SBA 0371577 04 34.92.31.1 34.92.11.1 34.92.11.1 31.92.01.2	AED - SBA 0371946 01 31.92.01.2	CJVV SBA 0371267 02 34.92.11.1	CN - SBA 0371536 01 31.91.51.1
5	A D DAB - SBA 0371924 03 31.92.03.1 31.92.03.2 31.92.01.1	DGP - SBA 0370343 03 31.92.02.1 31.92.03.1 31.92.03.1	JLVB SBA 0371077 04 31.92.03.1 31.92.01.2 31.91.21.1 31.92.01.1	EG - SBA 0371263 03 31.91.31.1 44.96.31.1 34.92.11.1	CJVV SBA 0371267 02 34.92.11.1	CHVV SBA 0371265 03 31.92.11.1 34.92.11.1 31.92.01.2
6	CAC - SBA 0371922 03 31.92.22.1 31.92.31.1 31.92.31.1	CKVV SBA 0371254 02 44.96.11.1 34.92.11.1	CEA - SBA 0371944 01 31.92.93.1	CRZY SBA 0371274 04 31.91.31.1 31.91.31.1 31.91.31.1 34.93.11.1	CJVV SBA 0371267 02 34.92.31.1	COZY SEC 0371271 04 44.96.11.1
7	JZ - SBA 0371082 01 34.96.11.1	JN - SBA 0371081 02 34.96.11.1	CEA - SBA 0371944 01 31.92.93.1	CLVT SBA 0371073 04 31.91.31.1 34.92.21.1 31.91.21.1 31.91.51.1	CRZT SBA 0371275 04 31.91.21.1 31.91.11.1 34.92.31.1	JMVB SEC 0371079 04 44.96.31.1 44.96.21.1 44.96.31.1
8	JZ - SBA 0371082 01 34.96.11.1	JN - SBA 0371081 02 34.96.11.1	CEA - SBA 0371944 01 31.92.93.1	JMVB SBA 0371073 04 31.91.31.1 31.91.31.1 31.91.51.1	CHVV SBA 0371265 03 34.92.31.1 31.91.21.1	CRZT SEC 0371273 04 44.96.11.1 44.96.31.1
9	CN - SBA 0371534 01 34.96.11.1	CNMT SBA 0371268 06 31.92.01.2 31.92.01.2	CEA - SBA 0371944 01 31.92.94.1	CJVV SBA 0371253 02 31.91.11.1 34.92.31.1	CKVV SBA 0371261 03 44.96.11.1	3JMX SEC 0370141 02 44.96.11.1 44.96.21.1
10	A CNMT SBA 0371268 06 31.92.01.2 31.92.01.2	E F CKYC SBA 0371072 02 31.92.41.1 34.92.31.1	D60 - SBA 0370342 03 31.92.32.1 31.92.32.1 31.92.42.1	CHVV SBA 0371252 03 31.91.41.1 31.91.41.1 34.92.11.1	CKLV SBA 0371254 02 31.91.21.1 34.92.11.1	C6LV SEC 0371251 03 44.96.21.1 44.96.21.1 44.96.21.1
11	A D E AED - SBA 0371946 01 31.92.10.2	CAC - SBA 0371922 03 31.92.01.2 31.92.03.1 31.92.01.2	CEA - SBA 0371944 01 31.92.01.2	CRZY SBA 0371274 04 31.91.41.1 31.91.41.1 34.92.11.1 31.91.31.1	CPVT SBA 0371259 06 34.96.11.1 44.96.11.1 31.91.11.1	
12	AED - SBA 0371946 01 31.92.10.2	DGP - SBA 0370343 03 31.92.51.1 31.92.01.1 31.92.01.1	CAC - SBA 0371922 03 31.92.04.1 31.92.42.1 31.92.41.1	CN - SBA 0371534 01 31.91.51.1	COZY SBA 0371271 04 31.91.21.1 34.96.11.1 31.91.21.1 31.91.41.1	CRZY SEC 0371274 04 44.96.21.1 44.96.21.1 44.96.21.1
13	PO - SBA 0371370 04 31.92.01.2 31.92.01.2 34.92.41.1	PP - SBA 0371365 04 31.92.01.2 31.92.01.1 31.92.01.1	JFVN SBA 0371577 04 31.92.24.1 31.92.24.1 31.92.24.1	JLVB SBA 0371077 04 31.91.51.1 34.92.11.1 31.91.11.1	COZY SBA 0371271 04 31.91.11.1 34.92.31.1 34.92.31.1	JLVB SEC 0371077 04 44.96.21.1 44.96.21.1 44.96.21.1
14	AED - SBA 0371946 01 31.92.10.2	DGP - SBA 0370343 03 31.92.01.1 31.92.01.1	CKVV SBA 0371254 02 31.91.11.1 34.92.11.1	COZY SBA 0371273 04 31.91.41.1 44.96.31.1 34.92.11.1	CRZY SEC 0371254 02 44.96.21.1 44.96.31.1	

6794022 / 11

REMARKS					
A	B	C	D	E	F
AED- SBA 0371946 01 31.92.01.2	DGP- SBA 0370343 03 31.92.51.1 31.92.71.1 31.92.71.1	CLVR- SBA 0371073 04 31.91.21.1 31.91.51.1 31.91.21.1 34.92.21.1	CKVU- SBA 0371269 02 34.92.21.1 34.92.21.1	CKVU- SBA 0371269 02 31.91.21.1 44.90.11.1	CH- SEC 0371266 03 44.90.21.1 44.90.21.1 44.90.31.1
AED- SBA 0371946 01 31.92.01.2	DGP- SBA 0370343 03 31.92.61.1 31.92.62.1 31.92.62.1	CKWV- SBA 0371254 02 31.91.41.1 31.91.11.1	CLVT- SBA 0371073 04 31.91.41.1 31.91.21.1 31.91.21.1 34.92.11.1	CNNT- SBA 0371268 06 31.91.31.1 34.92.11.1 44.90.11.1	CKWF- SEC 0371270 02 44.90.11.1 44.90.31.1
JFVN- SBA 0371077 04 34.93.11.1 31.92.94.1	DGP- SBA 0370342 03 31.92.51.1 31.92.91.1 31.92.92.1	CLVS- SBA 0371074 03 31.91.11.1 31.91.11.1 31.91.31.1	2JMX- SBA 0370144 02 34.92.41.1 34.92.41.1	CKWV- SEC 0371254 02 44.90.11.1 44.90.11.1	CKWV- SEC 0371254 02 44.90.31.1 44.90.31.1
DGP- SBA 0370343 03 31.92.01.2 31.92.12.1 31.92.12.1	DGP- SBA 0370342 03 31.92.41.1 31.92.42.1 31.92.42.1	CJWF- SBA 0371268 02 31.91.11.1 31.91.31.1	JMVB- SBA 0371079 04 34.92.11.1 31.92.94.1 34.92.31.1	CHVW- SBA 0371264 03 31.91.11.1 34.92.31.1 34.92.31.1	4JMX- SEC 0370142 02 44.90.31.1 44.90.31.1
DGP- SBA 0370343 03 31.92.51.1 31.92.10.2 31.92.01.1	DGP- SBA 0370342 03 31.92.52.1 31.92.41.1 31.92.41.1	CW- SBA 0371534 01 31.91.11.1	CKWF- SBA 0371270 02 34.92.41.1 34.92.41.1	CGVU- SBA 0371261 03 34.92.21.1 34.92.21.1 34.92.21.1	CHVW- SEC 0371264 03 44.90.31.1 44.90.31.1 44.90.11.1
PP- SBA 0371563 04 31.92.01.2 31.91.51.1 34.92.11.1 31.92.94.1	DGP- SBA 0370342 03 31.92.31.1 31.92.31.1 31.92.31.1	JLVB- SBA 0371077 04 31.91.11.1 34.93.11.1 34.93.11.1 38.03.11.1	CKWF- SBA 0371270 02 34.92.21.1 34.92.41.1	CKYC- SEC 0371072 02 44.90.11.1 44.90.31.1	CGVU- SEC 0371261 03 44.90.31.1 44.90.31.1
CEA- SBA 0371944 01 31.92.01.2	DGP- SBA 0370342 03 31.92.22.1 31.92.22.1 31.92.22.1	COZY- SBA 0371271 04 31.92.01.2 31.91.41.1 34.92.11.1 34.92.11.1	CLVO- SBA 0371255 03 31.91.11.1 34.92.41.1 34.92.21.1	CGVU- SEC 0371262 03 44.90.31.1 44.90.31.1 44.90.31.1	
DGP- SBA 0370343 03 31.92.01.2 31.92.01.2 31.92.01.2	CGWV- SBA 0371251 03 34.92.11.1 44.90.11.1 31.91.51.1	COZY- SBA 0371271 04 31.91.11.1 31.91.21.1 31.91.21.1 34.92.21.1	CJWF- SBA 0371268 02 34.92.41.1 34.92.41.1 44.90.11.1	CGWV- SEC 0371251 03 44.90.11.1 44.90.11.1	2JMX- SEC 0370144 02 44.90.31.1
JJVN- SBA 0371588 04 31.92.01.2 31.92.01.2 44.90.31.1 31.92.01.2	DGP- SBA 0370342 03 31.92.93.1 31.92.93.1 31.92.94.1	CPWT- SBA 0371259 06 34.92.31.1 34.92.31.1 34.92.31.1 34.92.11.1	CH- SBA 0371266 03 34.92.41.1 34.92.41.1 34.92.41.1	CJWV- SEC 0371253 02 44.90.11.1 44.90.21.1	CJWV- SEC 0371267 02 34.93.11.1 34.93.11.1
CH- SBA 0371256 08 31.92.01.2 31.92.01.2	CAC- SBA 0371922 03 31.92.01.2 31.92.01.2 31.92.01.2		CGWV- SBA 0371251 03 34.92.31.1 34.92.31.1 34.92.31.1	CEH- SEC 0370139 02 44.90.11.1 44.90.11.1	CO- SEC 0371275 04 44.90.31.1 44.90.31.1 44.90.31.1 44.90.31.1
AM- SBA 0371203 02 31.92.01.2	CJYC- SBA 0371071 02 31.91.21.1 31.91.31.1	CRY6- SBA 0371277 04 31.91.51.1 31.91.31.1 31.91.31.1	JGVV- SBA 0371582 03 44.90.31.1 44.90.31.1 31.92.01.2	CJWF- SEC 0371268 02 34.93.11.1 34.93.11.1	COYG- SEC 0371278 04 44.90.31.1 44.90.31.1 44.90.21.1
HK- SBA 0371788 01 31.92.01.2	AED- SBA 0371946 01 31.92.94.1	CEH- SBA 0370139 02 44.90.11.1	CJMY- SBA 0371253 02 34.92.31.1 34.92.31.1	CLVS- SEC 0371074 03 34.93.11.1 34.93.11.1	CO- SEC 0371273 04 44.90.11.1 44.90.11.1 44.90.21.1 44.90.11.1

A  
B  
C  
D  
E  
F  
G  
H

A  
B  
C  
D  
E  
F  
G  
H

794022/2



0723799

UNIT PLUGGING CHART

08 D-1

1966

42-69.00.2

SHEET 1 OF 2

DATE NOV 15, 1961

REMARKS

A	B	C	D	E	F
			WK- BH 0371899 01 42.69.11.2		
			WK- BH 0371899 01 42.69.11.2	AQU- BH 0370833 01 42.69.11.2	DKA- BH 0370845 01 42.69.11.2
				ASM	
			AOX- BH 0370836 01 42.69.11.2 42.69.11.2 42.69.11.2 42.69.11.2	AQU- BH 0370833 01 42.69.11.2 42.69.11.2 42.69.11.2 42.69.11.2	DKA- BH 0370845 01 42.69.11.2
			AEF	ASM	
			WK- BH 0371899 01 42.69.11.2	AQU- BH 0370833 01 42.69.11.2 42.69.11.2 42.69.11.2	AKC- BH 0370826 01 42.69.11.2
				ASM	
			WK- BH 0371899 01 42.69.11.2	AQU- BH 0370833 02 42.69.11.2 42.69.11.2	DKA- BH 0370845 01 42.69.11.2
				ASM	
			AKB- BH 0370825 01 42.69.11.2	AQU- BH 0370833 02 42.69.11.2 42.69.11.2	DKA- BH 0370845 01 42.69.11.2
				ASM	
			WK- BH 0371899 01 42.69.11.2	AQU- BH 0370833 01 42.69.11.2 42.69.11.2	
				ASM	
			WK- BH 0371899 01 42.69.11.2	AQU- BH 0370833 02 42.69.11.2 42.69.11.2	AQU- BH 0370835 01 42.69.11.2
				ASM	
			AOX- BH 0370836 04 42.69.11.2 42.69.11.2 42.69.11.2 42.69.11.2	AQU- BH 0370833 02 42.69.11.2 42.69.11.2	
			AEF	ASM	
			WK- BH 0371899 01 42.69.11.2	AQU- BH 0370833 02 42.69.11.2 42.69.11.2	AQU- BH 0370835 01 42.69.11.2
				ASM	
			WK- BH 0371899 01 42.69.11.2	AQU- BH 0370833 02 42.69.11.2 42.69.11.2	
				ASM	

DATE 30.1.62  
TA 1126

AEF == AOX  
 ASM == AQU  
 AEF == AOV  
 ASM == AOV

723799/1  
 MZC

	A	B	C	D	E	F
14					AOV- BR 0370835 02 42.83.11.2	AOV- BR 0370835 01 42.87.11.2
					AEM	
15				UX- 12H 0371899 01 42.89.11.2	AOV- BR 0370835 02 42.83.11.2	
					AEM	
16				UX- 12H 0371899 01 42.89.11.2	AOV- BR 0370835 02 42.83.11.2	AOV- BR 0370835 01 42.87.11.2
					AEM	
17				AOV- 12H 0370836 04 42.89.11.2 42.89.11.2 42.89.11.2 42.89.11.2	AOV- BR 0370835 02 42.83.11.2	
					AEM	
18				UX- 12H 0371899 01 42.89.11.2	AOV- BR 0370835 02 42.83.11.2	AOV- BR 0370836 01 42.88.11.2
					AEM AEL	
19				UX- 12H 0371899 01 42.89.11.2	AOV- BR 0370835 02 42.83.11.2	AOV- BR 0370836 01 42.88.11.2
					AEM AEL	
20					AOV- BR 0370835 02 42.83.11.2	AOV- BR 0370836 01 42.88.11.2
					AEM	✓
21				UX- 12H 0371899 01 42.89.11.2		AOV- BR 0370836 01 42.88.11.2
						AEL
22				UX- 12H 0371899 01 42.89.11.2	AOV- 12H 0370835 02 42.83.11.2	
					AEM	
23				AOV- 12H 0370836 04 42.89.11.2 42.89.11.2 42.89.11.2 42.89.11.2	AOV- 12H 0370835 02 42.83.11.2	
				AEF	AEM	
24				UX- 12H 0371899 01 42.89.11.2	AOV- 12H 0370835 02 42.83.11.2	
					AEM	
25				UX- 12H 0371899 01 42.89.11.2	AOV- 12H 0370835 02 42.83.11.2	
					AEM	
26						

DATE 30.1.62  
TA 1126

A  
B  
C  
D  
E  
F  
G  
H  
J

723799/2  
M2L

0805486

CIRCUIT CARD LOCATION CHART

0680

1406

42-64-00.2

SHEET 1

DATE MAR 29, 1963

117242

A	B	C	D	E	F
			CW- 8H 0371534 01 42-67-02.2	CW- 8M 0371534 01 42-66-03.2	CJVV 8M 0371267 02 42-65-01.2 42-65-01.2
			A CHVV 8M 0371264 03 42-65-02.2 42-65-02.2	A CW- 8M 0371534 01 42-66-03.2	CW- 8M 0371534 01 42-65-01.2
			C CLVT 8M 0371073 04 42-66-03.2 42-65-01.2 42-66-03.2 42-67-01.2	A CQZT 8M 0371272 04 42-66-03.2 42-66-03.2 42-66-03.2	A CW- 8M 0371534 01 42-65-01.2
				D CLVT 8M 0371073 04 42-65-01.2 42-66-03.2 42-67-01.2	A CRZT 8M 0371275 04 42-65-01.2 42-65-02.2 42-66-03.2
			A CLVT 16M 0371073 04 42-67-01.2	B C6WW 8M 0371251 03 42-66-03.2 42-66-03.2 42-65-01.2	A CPWW 8M 0371259 06 42-65-01.2 42-65-01.2 42-65-01.2 42-65-01.2
			A B C JFVN 16M 0371577 04 42-67-02.2 42-67-02.2 42-67-02.2 42-67-02.2	CLVO 8M 0371255 03 42-65-01.2 42-66-03.2 42-65-02.2	E F CKVV 8M 0371269 02 42-65-02.2 42-65-02.2
			JFVN 8M 0371577 04 42-67-02.2 42-67-02.2 42-67-02.2 42-67-02.2	A CLVO 8M 0371255 03 42-66-03.2 42-66-03.2 42-66-03.2	CKVV 8M 0371269 02 42-65-02.2 42-65-02.2
			PP- 8M 0371365 04 42-67-01.2 42-67-01.2 42-67-02.2 42-67-02.2	CKYC 8M 0371072 02 42-66-03.2 42-67-01.2	CJVF 8M 0371268 02 42-65-01.2 42-65-01.2
			PP- 16M 0371365 04 42-67-01.2 42-67-02.2 42-67-02.2	JLVB 8M 0371077 04 42-66-03.2 42-67-02.2 42-66-03.2	JMVB 8M 0371079 04 42-65-02.2 42-65-02.2 42-67-01.2
			D CKWF 8M 0371270 02 42-67-02.2 42-67-02.2	CRZV 8M 0371276 04 42-66-03.2 42-66-03.2	B CHVV 8M 0371265 03 42-65-02.2 42-65-02.2
			CKWF 12M 0371270 02 42-67-02.2 42-67-02.2	A D JLVB 8M 0371077 04 42-66-03.2 42-67-01.2 42-67-01.2	C CHVV 8M 0371265 03 42-65-02.2
				D	B C

DATE 20.6.63  
TA 1871A

805486

0505426

CIRCUIT CARD LOCATION CHART

06B4

1406

42.64.00.2

SHEET 2

DATE MAR 29, 1963

117242

	A	B	C	D	E	F
15				JFVN BH 0371577 04 42.67.02.2 42.67.01.2 42.67.02.2 42.67.02.2		CJVV BH 0371267 02 42.65.02.2 42.65.02.2
16					COZV BH 0371271 04 42.67.01.2 42.65.03.2 42.65.01.2	CKVF BH 0371270 02 42.65.02.2 42.65.02.2
17				PO- BH 0371570 04 42.67.02.2 42.67.01.2 42.67.01.2	CHEW BH 0371252 03 42.66.03.2 42.67.01.2 42.66.03.2	CRZY BH 0371275 04 42.65.02.2 42.65.02.2
18				A JHVB BH 0371079 04 42.67.02.2 42.67.02.2 42.67.02.2		A D CGWV BH 0371251 03 42.65.02.2 42.65.02.2 42.65.02.2
19				JHVB BH 0371079 04 42.67.02.2 42.67.02.2 42.66.03.2		CKVC BH 0371072 02 42.66.03.2 42.67.01.2
20				B JF- 10M 0371579 04 42.67.02.2 42.67.02.2		CGVV BH 0371267 02 42.65.03.2 42.65.02.2
21				C D CEA- 12M 0371944 01 42.67.01.2		CPVT BH 0371259 06 42.65.01.2 42.67.02.2 42.67.01.2
22				CAC- 12M 0371922 03 42.67.01.2		D E F COZT BH 0371272 04 42.68.03.2 42.66.03.2 42.65.01.2 42.65.02.2
23					COZT	
24					JLVB	
25					PP	
26						

?  
DATE 20.6.63  
TA 1371A

? Blank

Red  
Wired  
Circuit

805486

102M





**IBM**

Manual of Instruction

*Emule!*

**1401**

Data Processing System  
Instructional Logic Diagrams  
Volume **4**

IBM Form 56 398

Ausgabe August 1962

Consult Mr. Johnson  
37.20.11

# 1401 INTERMEDIATE LEVEL DIAGRAMS

1-4	CLOCKING AND STORAGE
10-22	DATA FLOW AND CONTROLS
25-34	ARITHMETIC OPERATIONS (ADD, SUBT, MULT, DIV)
35-40	MOVE AND LOAD (MOVE, LOAD, CLEAR, EDIT, COMPARE)
41-44	ADVANCE PROGRAMMING (Q OPR, STORE)
45-52	LOGIC OPERATIONS (BRANCH, NO OP, STOP)
53-58	1406 EXPANDED STORAGE
60-79	INPUT/OUTPUT (READ, PRINT, PUNCH AND OPTIONS)
80-89	MAGNETIC TAPE

## CLOCKING AND STORAGE

- 1 CLOCK CONTROL AND CLOCK PULSES
- 2 STORAGE DECODE SWITCHES
- 3 CURRENT SWITCHES, INHIBIT DRIVERS
- 4 PRESENSE AND SENSE AMPLIFIERS

## DATA FLOW AND CONTROLS

- 10 DATA FLOW *A, B Reg*
- 11 DATA FLOW CONTROLS
- 12 INHIBIT CHECK AND A AND B CHECK
- 13 CYCLE CONTROL
- 14 ADDRESS STOP, I RING, PROG SKIP
- 15 OP REGISTER, OP CODE DEVELOPMENT
- 16 OP CODE AND OP CHECK
- 17 A STAR AND B STAR
- 18 I STAR, AUTO SCAN, STAR MANUAL SET
- 19 STAR MODIFIER AND CONTROLS
- 20 MODIFIER
- 21 MODIFIER AND ADDRESS VALIDITY CHECK

## ARITHMETIC OPERATIONS

- 25 ADD SUBT AND ADDER CONTROL
- 26 ADD SUBT AND ADDER CONTROLS
- 27 A AUX STAR AND GATE CONTROLS
- 28 B AUX STAR AND GATE CONTROLS
- 29 MULTIPLY AND DIVIDE CONTROLS
- 30 MULTIPLY AND DIVIDE CONTROLS
- 31 MULTIPLY AND DIVIDE CONTROLS
- 32 MULTIPLY AND DIVIDE CONTROLS

## MOVE AND LOAD

- 35 MOVE, LOAD, CLEAR, AND COMPARE
- 36 COMPARE
- 37 HI LO EQUAL COMPARE
- 38 ZONE TEST AND WORD MARK SET
- 39 EDIT AND EXPANDED EDIT
- 40 EXPANDED EDIT ASTERISK AND DECIMAL OPTION

## ADVANCE PROGRAMMING

- 41 ADVANCE PROGRAMMING Q OPR, STORE LOGIC OPERATIONS
- 42 ADVANCE PROGRAMMING CONTROLS

## LOGIC OPERATIONS

- 45 BRANCH, NO OP AND STOP OPR
- 50 RAMAC AND INQUIRY
- 51 RAMAC AND INQUIRY
- 52 51 COLUMN FEED

## 1406 EXPANDED STORAGE

- 53 MODIFY OP AND STORAGE CONTROL PULSES
- 54 STORAGE DECODE SWITCHES 4 TO 12K
- 55 CORE STORAGE DRIVE CKTS AND SENSE CKTS 4 TO 12K
- 56 STORAGE DECODE SWITCHES 12 TO 16K
- 57 CORE STORAGE DRIVE CKTS AND SENSE CKTS 12 TO 16K
- 58 FULL STORAGE PRINT OUT

## INPUT/OUTPUT

- 60 DATA FLOW AND READ CONTROLS
- 61 PUNCH DATA FLOW
- 62 PUNCH CONTROLS AND PFR OPTION
- 63 READER AND PUNCH CHECK CIRCUITS
- 64 PFR DATA FLOW, CHECKING AND CONTROLS
- 65 PFR PUNCH CONTROLS
- 66 PFR READ PUNCH CONTROLS
- 67 COLUMN BINARY READ CONTROLS AND DATA FLOW
- 68 MOVE COLUMN BINARY CONTROLS
- 69 PRINT DATA FLOW
- 70 PRINT COUNTERS
- 71 PRINT RINGS
- 72 PRINT CONTROLS
- 73 PRINT BUFFER STORAGE AND DATA FLOW
- 74 PRINT BUFFER RINGS AND CONTROLS
- 75 PRINT BUFFER COUNTER
- 76 PRINT BUFFER CONTROLS
- 77 PRINT BUFFER CONTROLS
- 78 CARRIAGE CONTROLS
- 79 DUAL SPEED CARRIAGE CONTROLS

## MAGNETIC TAPE

- 80 READ AND WRITE TAPE
- 81 READ AND WRITE TAPE WITH WORD MARKS
- 82 TAPE CONTROL CODES
- 83 TAPE BRANCH CODES
- 84 READ COMPRESSED TAPE
- 85 MANUAL TAPE OPERATION, RESET AND LOAD
- 86 EXPANDED TAPE
- 87 I/O BRANCH
- 88 I/O SELECT

### Units Addr.

no A or B Bit = 0000 - 3999

A Bit = 4000 - 7999

B Bit = 8000 - 11999

A+B Bit = 12000 - 16000

### Hundr. Addr

no A or B Bit = 000 - 999

A Bit = 1000 - 1999

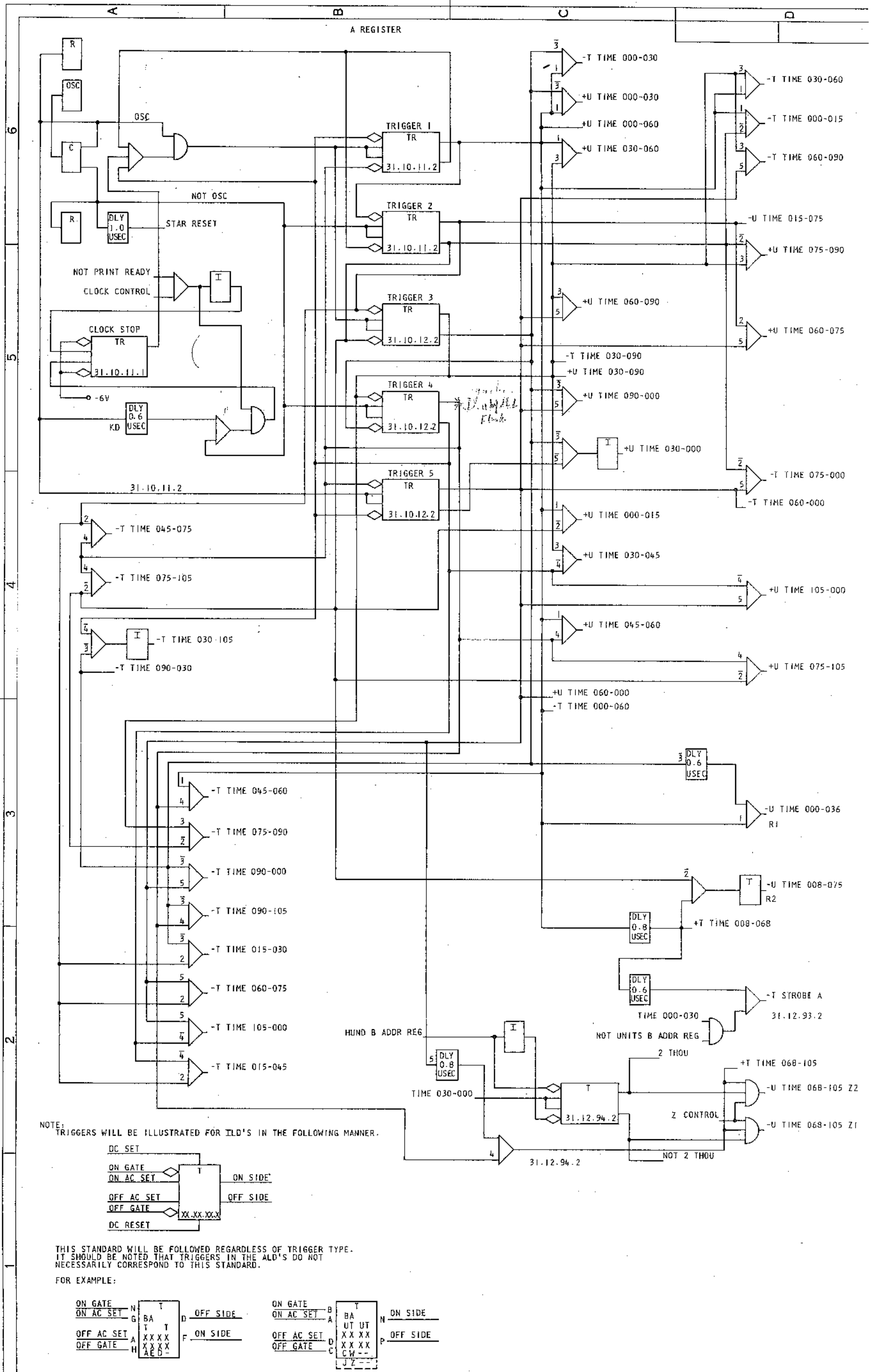
B Bit = 2000 - 2999

A+B Bit = 3000 - 3999

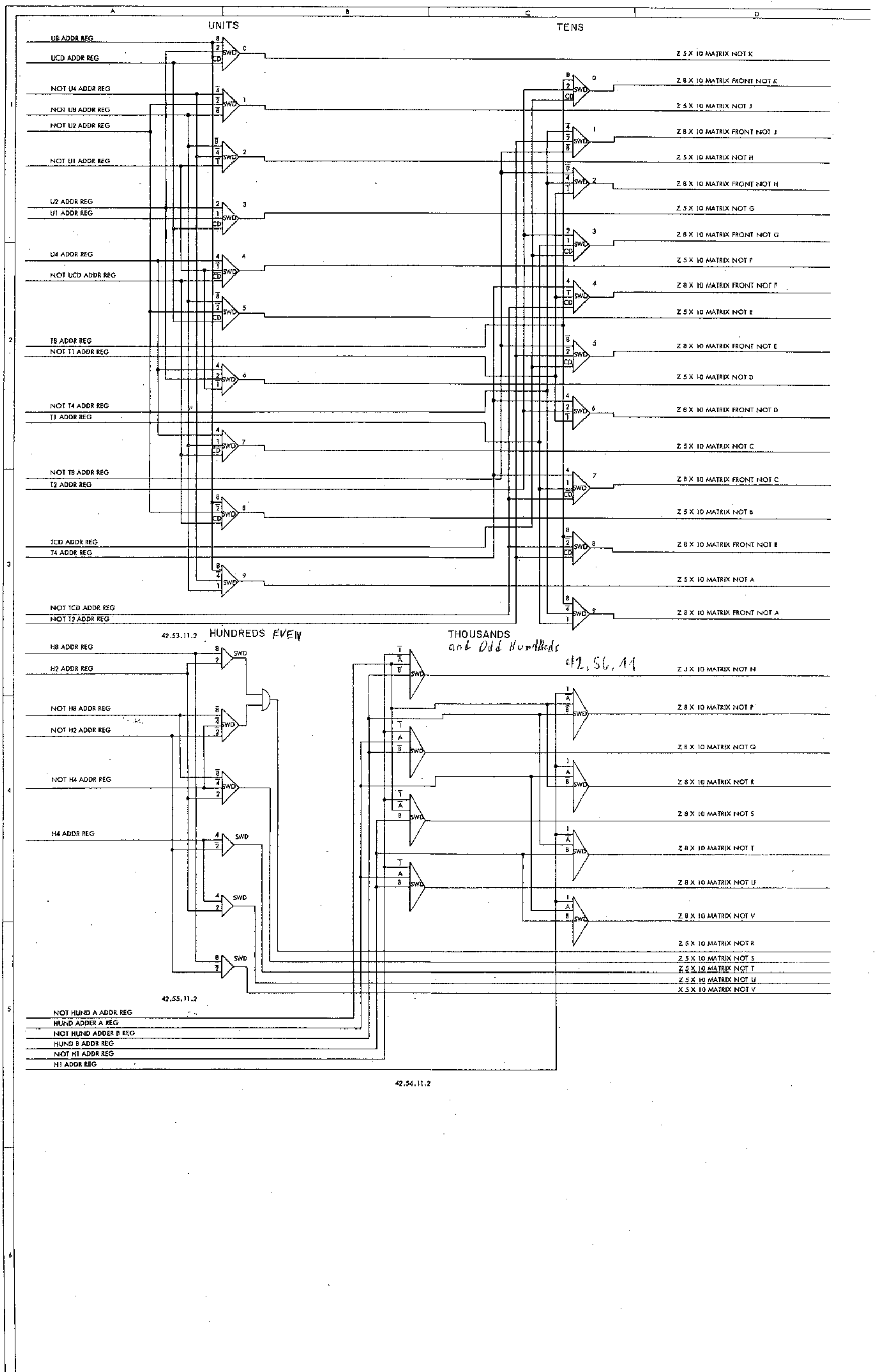




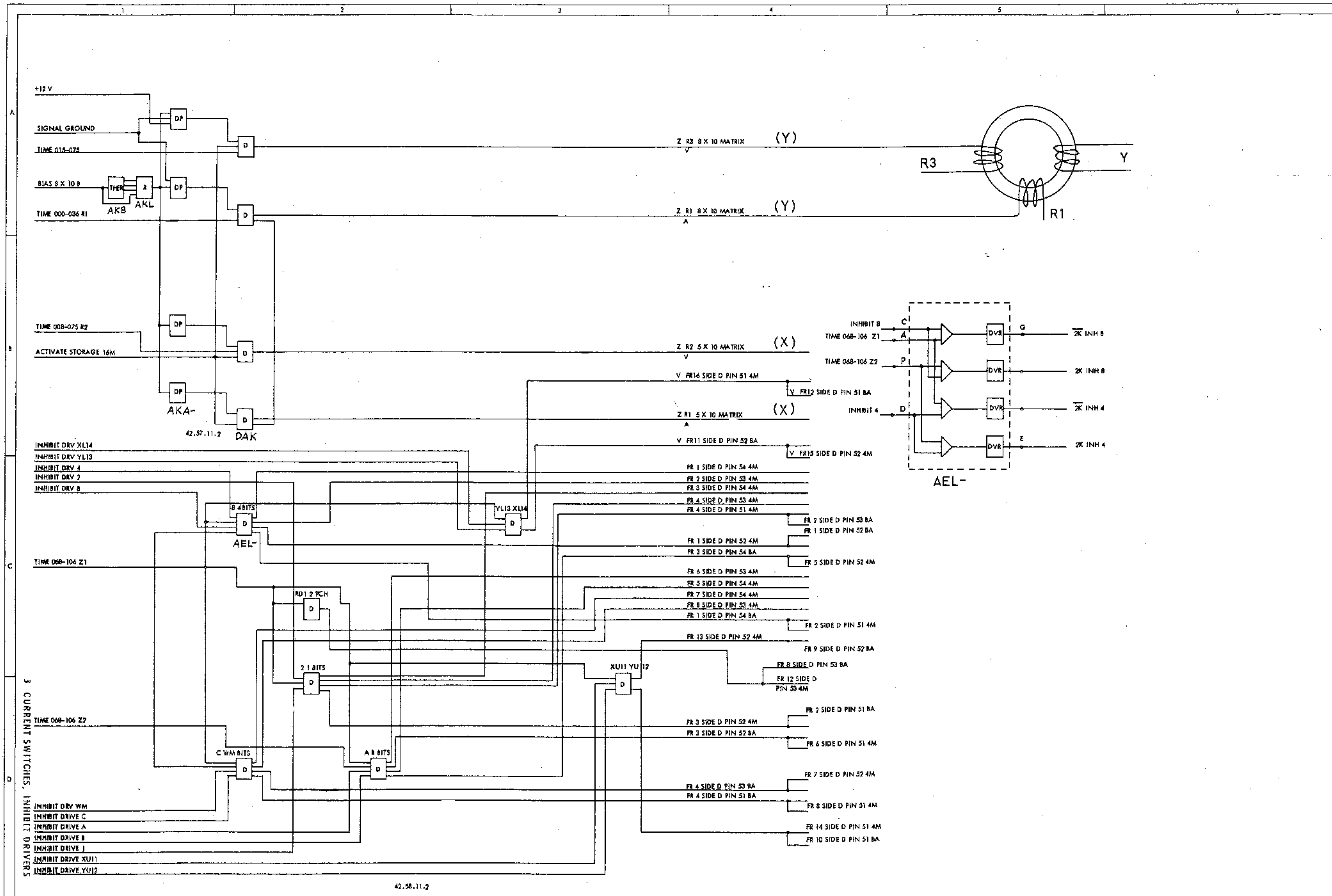




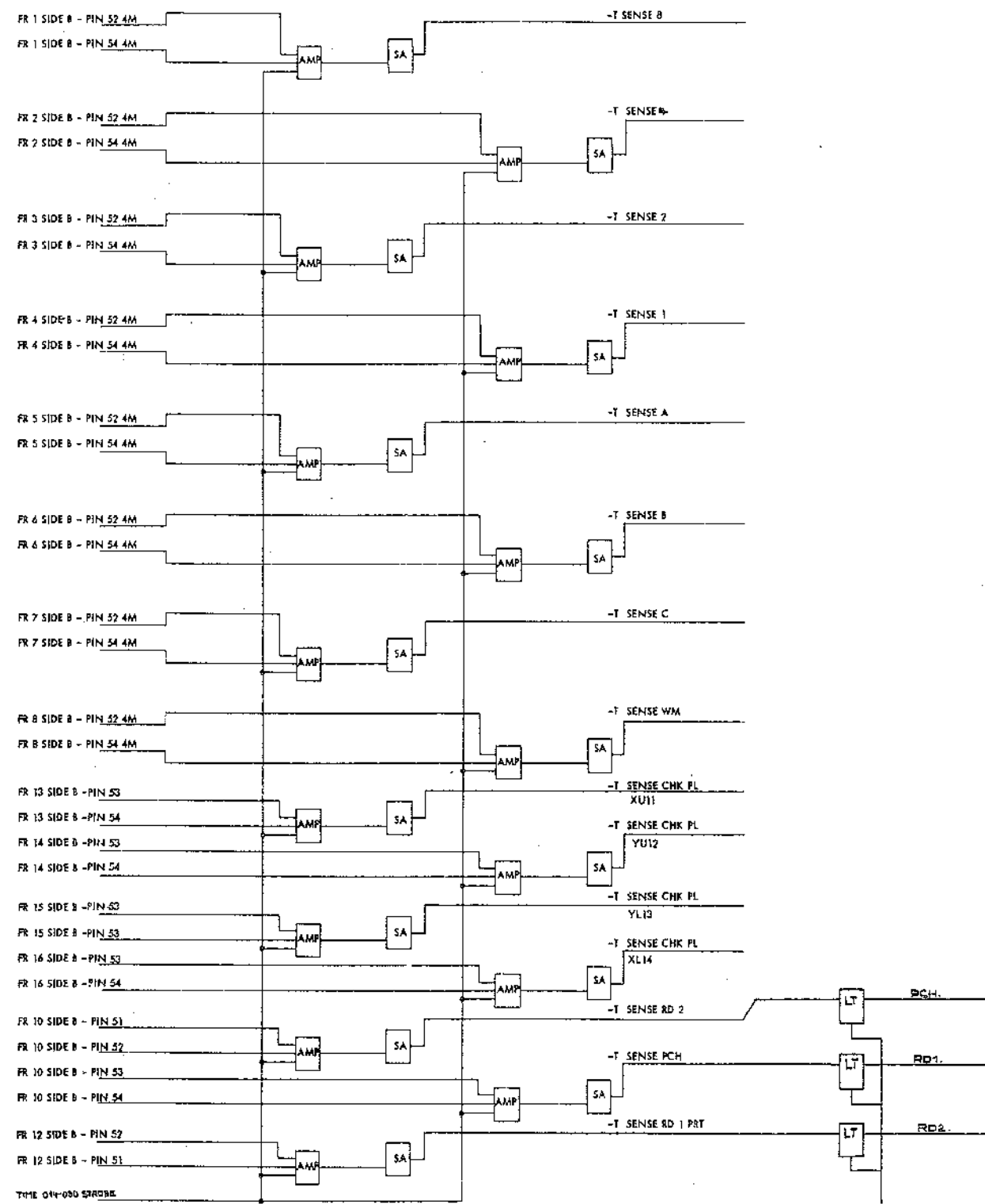
1. CLOCK CONTROL AND CLOCK PULSES



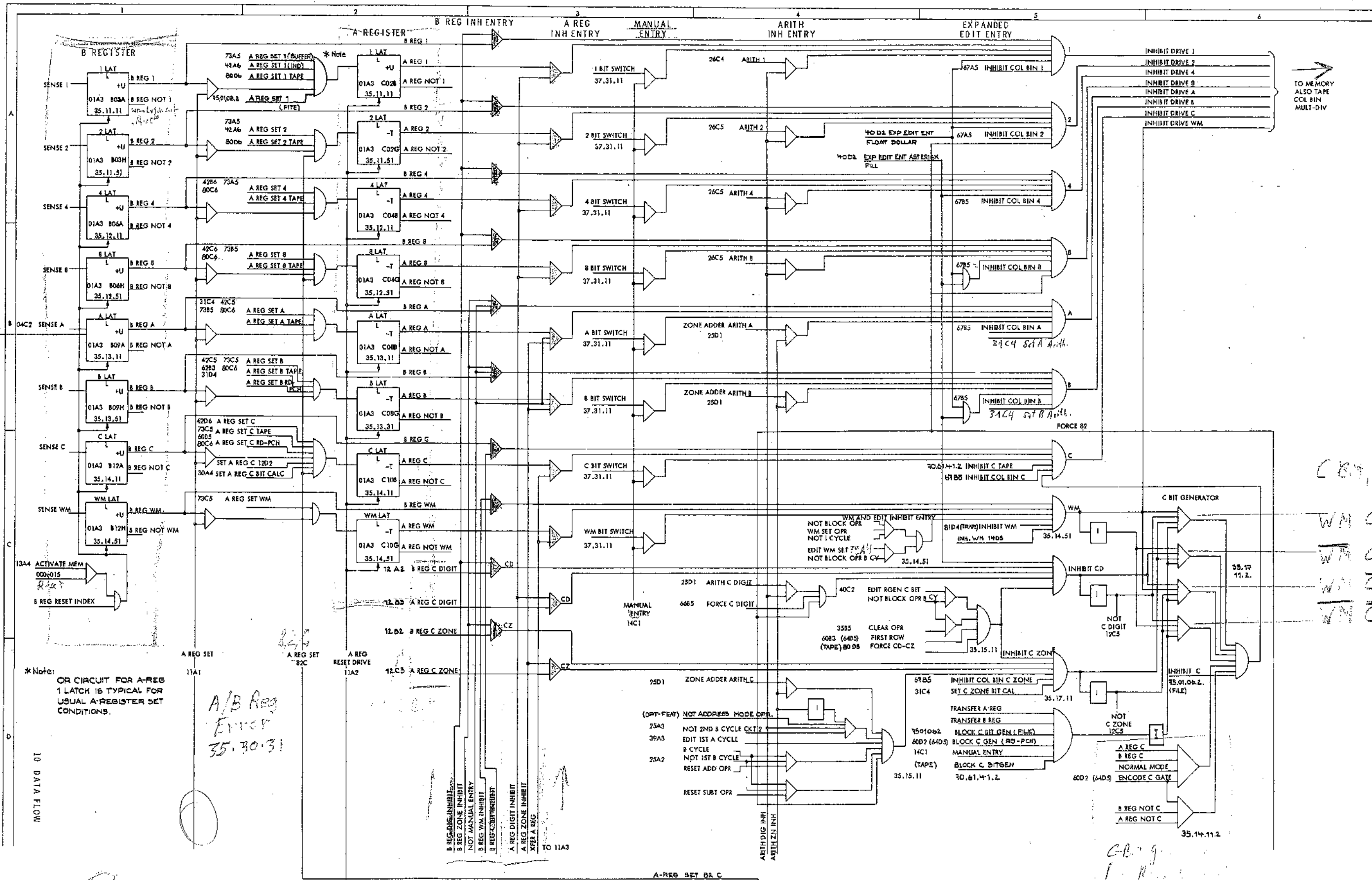
2. STORAGE DECODE SWITCHES



4 PRESENSE AND SENSE AMPLIFIERS







HA  
Set A  
4/4/7

TO MEMORY  
ALSO TAPE  
COL BIN  
MULTI-DIV

C Bit, wrong!  
WM CZ CD  
WM CZ CO  
WM CZ CC  
WM CZ CD  
WM CZ CD

\* Note:  
OR CIRCUIT FOR A-REG  
1 LATCH IS TYPICAL FOR  
USUAL A-REGISTER SET  
CONDITIONS.

A/B Reg  
Error  
35.30.31

10 DATA FLOW

B

A

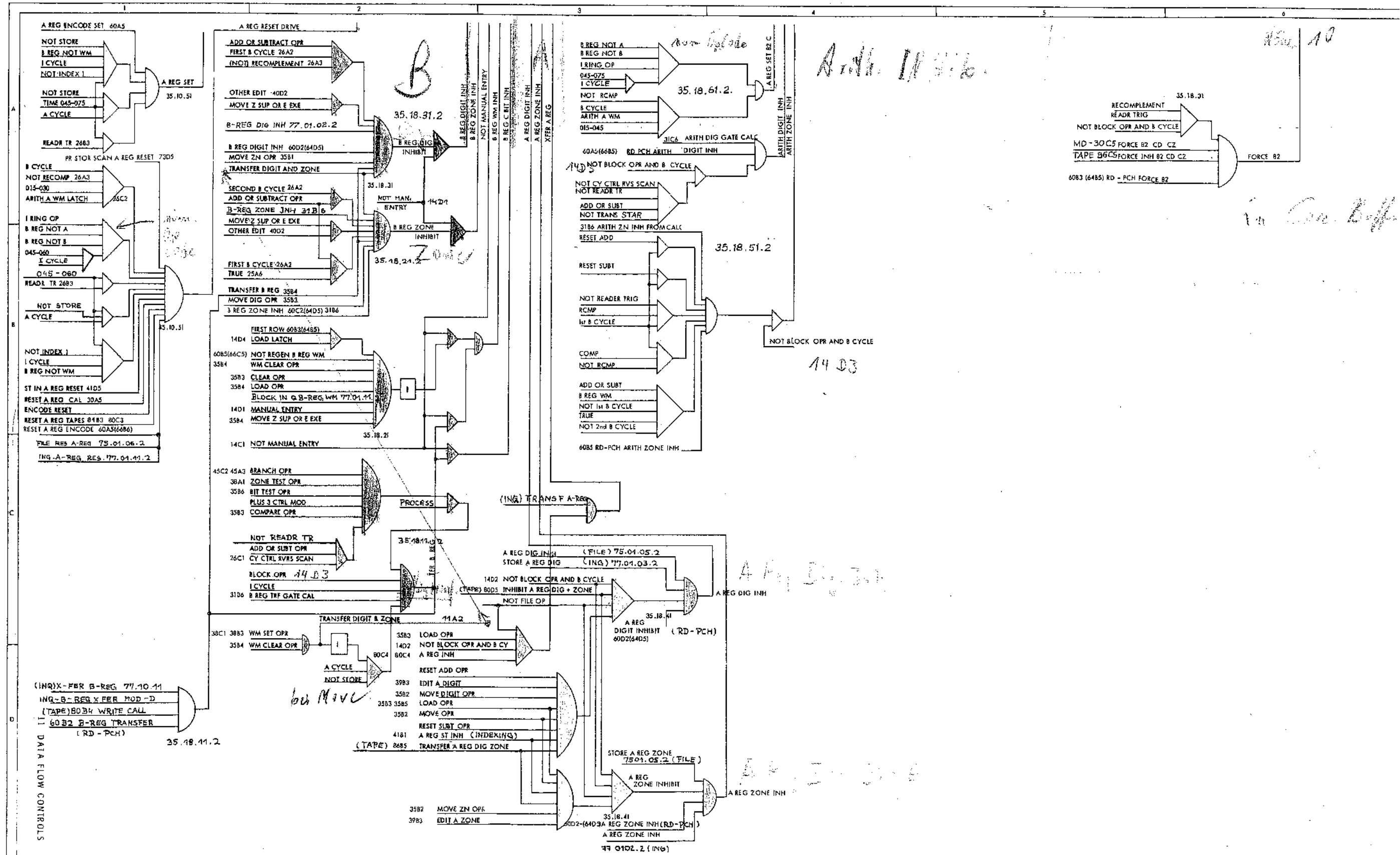
H 36 11

326

CA-9  
1-11-11

Set 8.2

Force 8.2





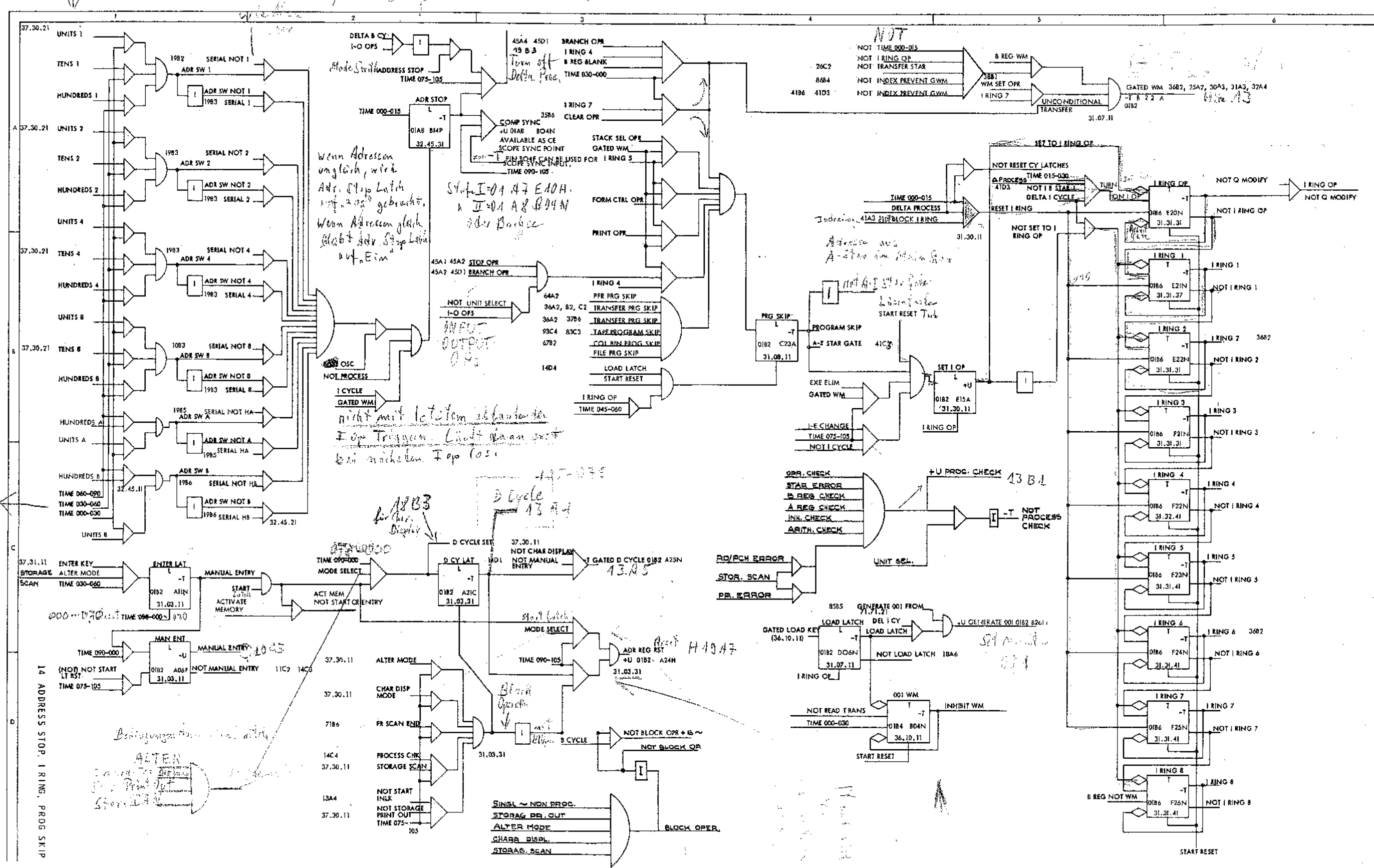


Angabe der Adressen

Address Stop

952 =  
0-15  
20-45  
60-75  
90-105  
  
052 =  
15-30  
45-60  
75-90  
105-120

Siehe  
Daten für  
Mikro

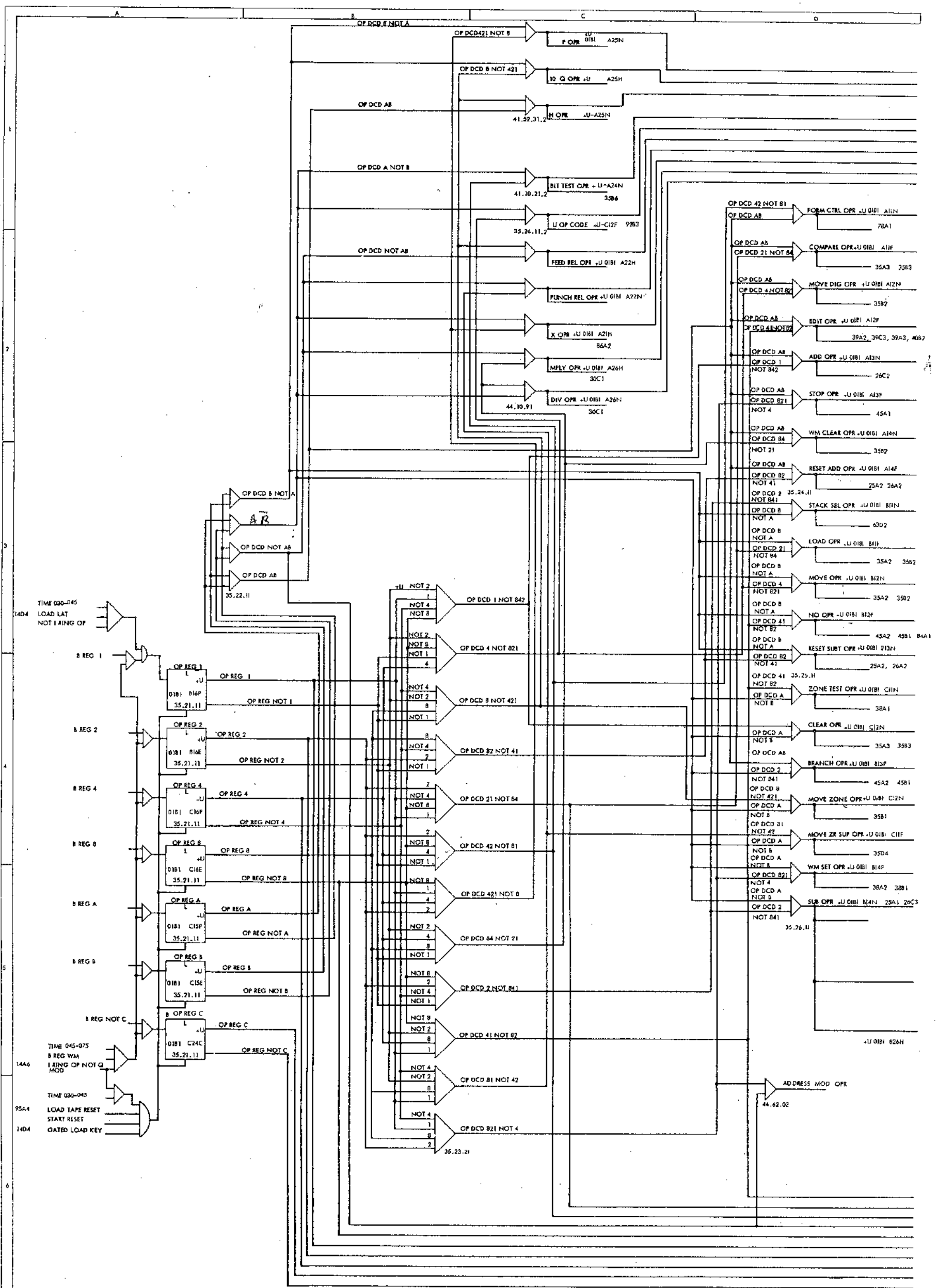


14 ADDRESS STOP, I RING, PROG SKIP

Bedingungen für Adressen  
ALTER  
Latched  
Start

See Seite 85





15 OP REGISTER, OP CODE DEVELOPMENT



001 30 60 90 120000

Star Reset Calc

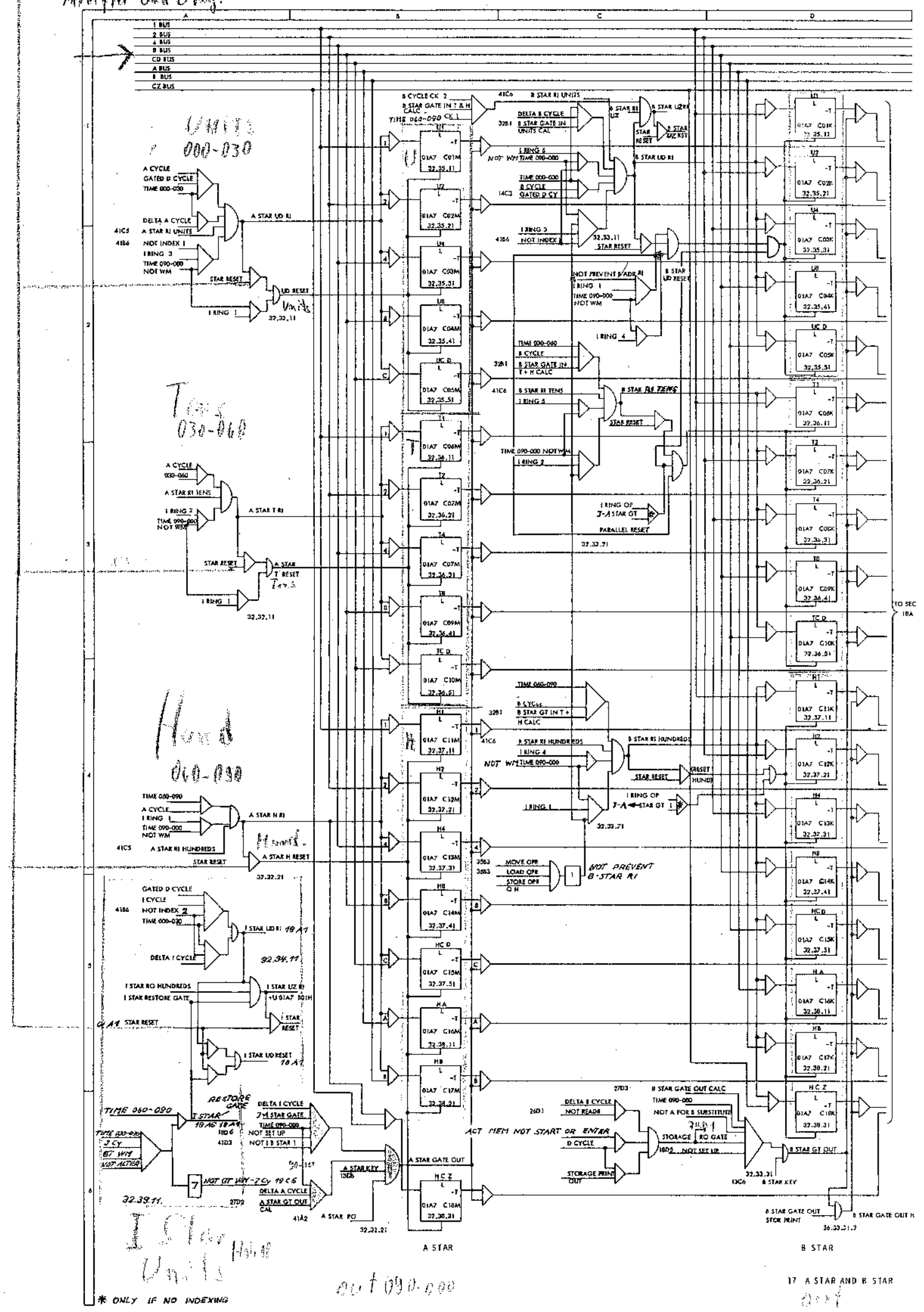
Reset Calc  
052.

052.  
not 052

Assignment for  
Multiplier and B Reg.

A-Star

B-Star



\* ONLY IF NO INDEXING

out 090-000

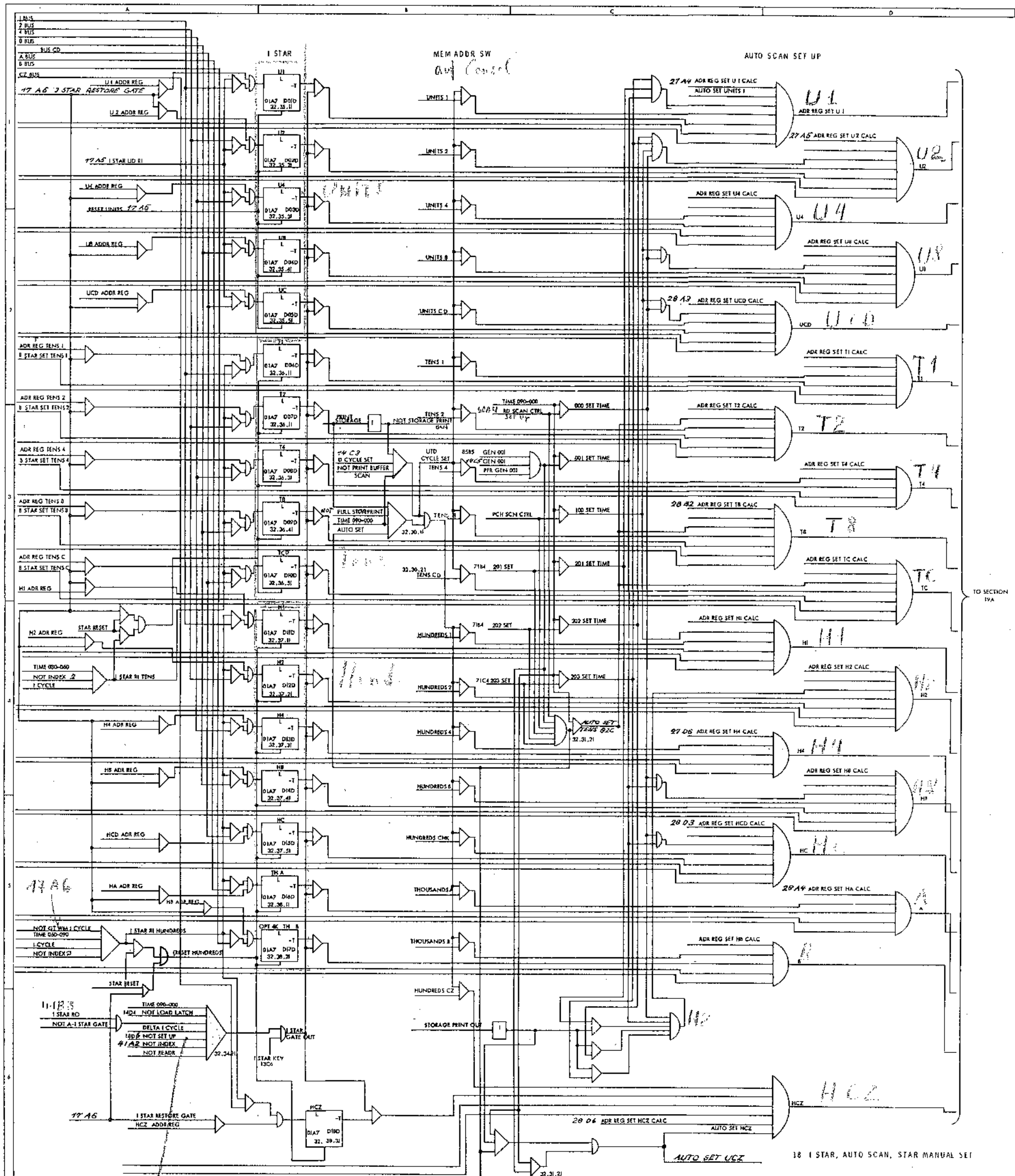
17 A STAR AND B STAR

001  
090-000



L. S. S. 17

UNITS  
I-Star



TO SECTION 17A

18 I STAR, AUTO SCAN, STAR MANUAL SET

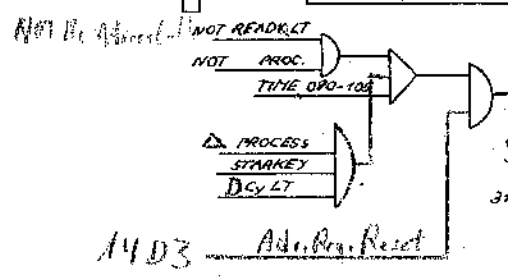
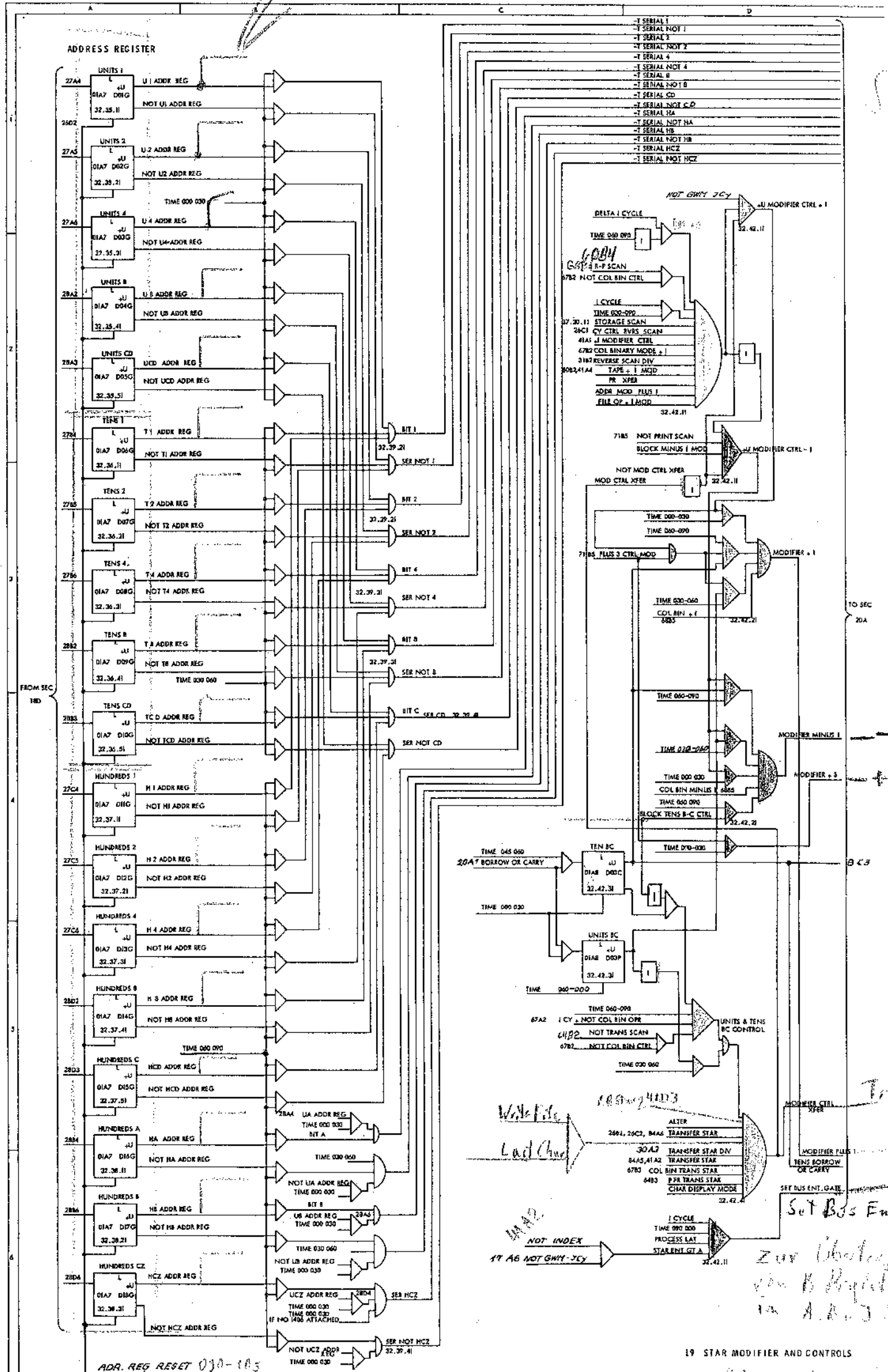
out 090-030  
Δ J

NOT SET UP TO AG 1706  
for B Star Gate and

Ausgänge Main Star  
 direkt nach I-Star über  
 I-Star Restora. Gate  
 18 A 1-6

Löschung siehe 17

Main Star



19 STAR MODIFIER AND CONTROLS

UNITs 000-030 + 1  
 Tens 030-060 - 1  
 Hund 060-090 + 3

Transf =

Serial

TO SEC

20A

B C 3

Transf

Set Bus Ent. Gate

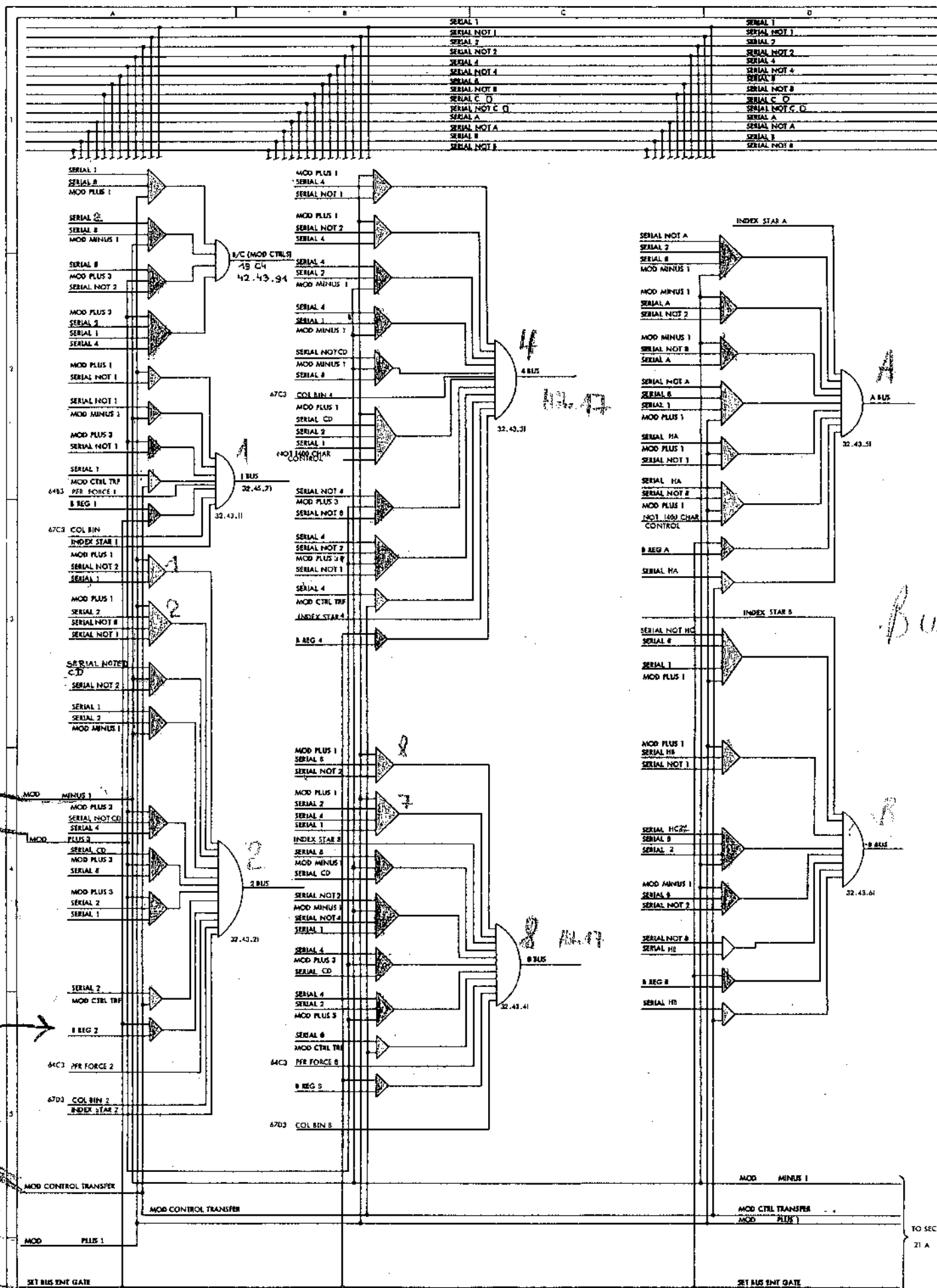
Zur Übertragung von B-Bytes in A.B.3 Bus

only Set Bus Ent. Gate

Signal nicht aktiviert 31.04.77

1403 ADR. Reg. Reset





Muxed +3

ibv Set Bus Enter Gate

Transfer +0

Set Bus Enter Gate

Bus Line

UNITS 000-000 + 1

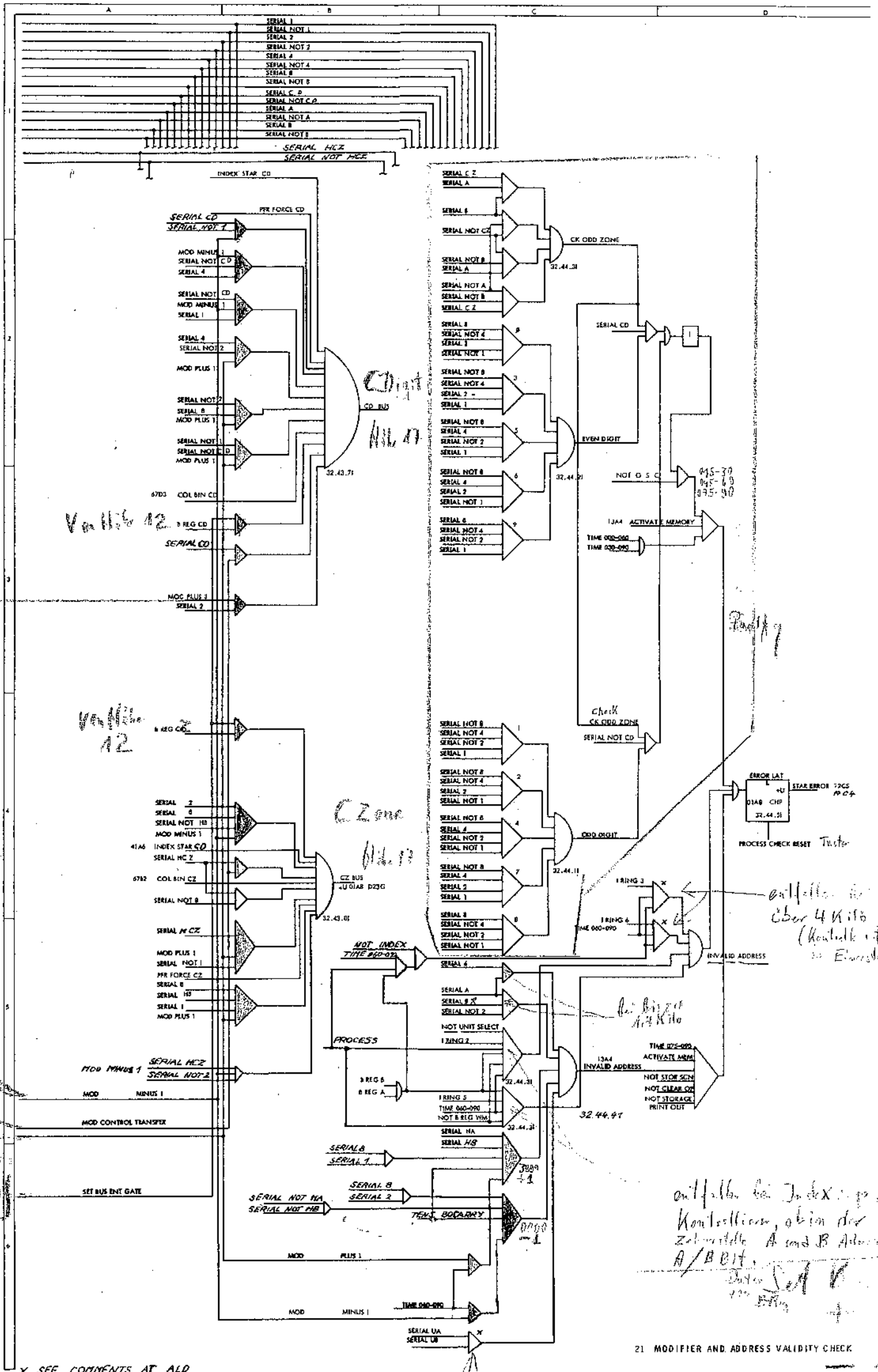
Tens 000-000

Hund 000-000

20 MODIFIER 1

+ 3

Transfer



+3

Vollk 12

Vollk 12

-1

Transfer

+1

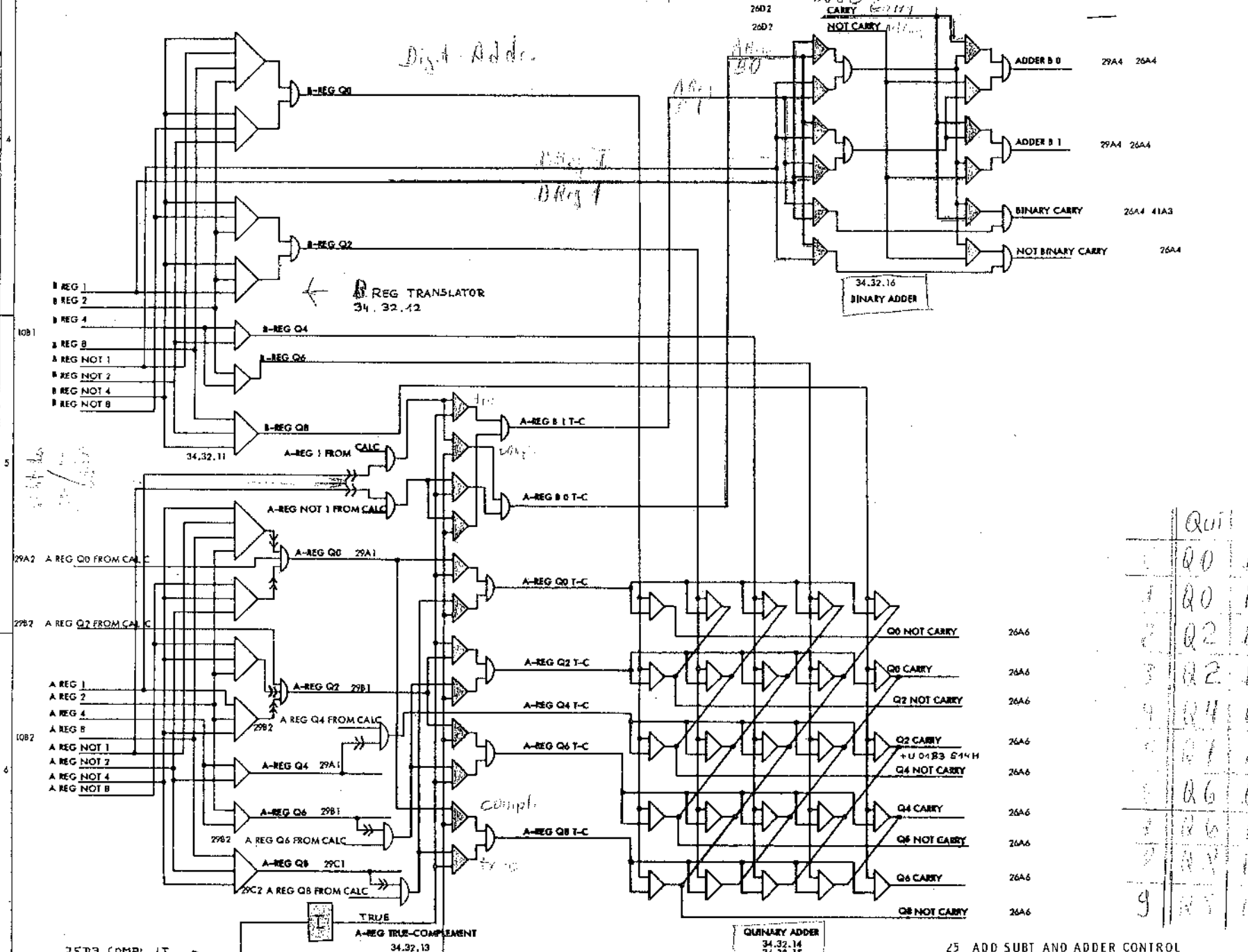
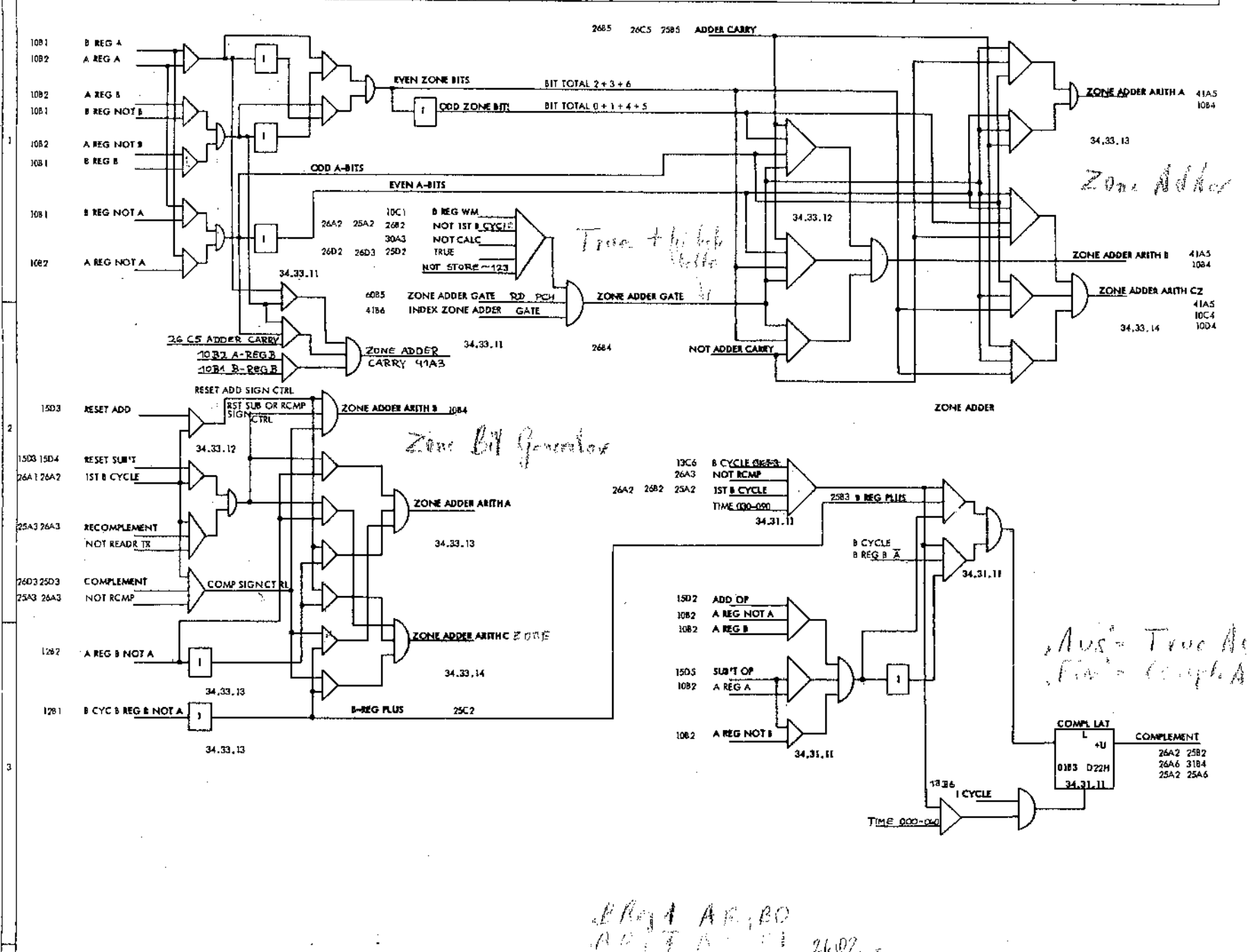
auf alle bei Index: p.  
Kontrollieren, ob in der  
Zeilenstelle A und B Adress  
A/BBIT.  
Datei Set A B  
12. Bitt

21 MODIFIER AND ADDRESS VALIDITY CHECK

Units 000-030 -1  
Tone 030-040 +3  
Hard 040-010 Transfer

auf alle über  
12 K.  
Units ab A7B

X SEE COMMENTS AT ALD



LEADS THROUGH MID CIRCUITS IF INSTALLED

25 ADD SUBT AND ADDER CONTROL

34.32.13 A-REG TRUE-COMPLEMENT

34.32.14 34.32.15 QUINARY ADDER

25A6 Q0 NOT CARRY

25A6 Q0 CARRY

25A6 Q2 NOT CARRY

25A6 Q2 CARRY

25A6 Q4 NOT CARRY

25A6 Q4 CARRY

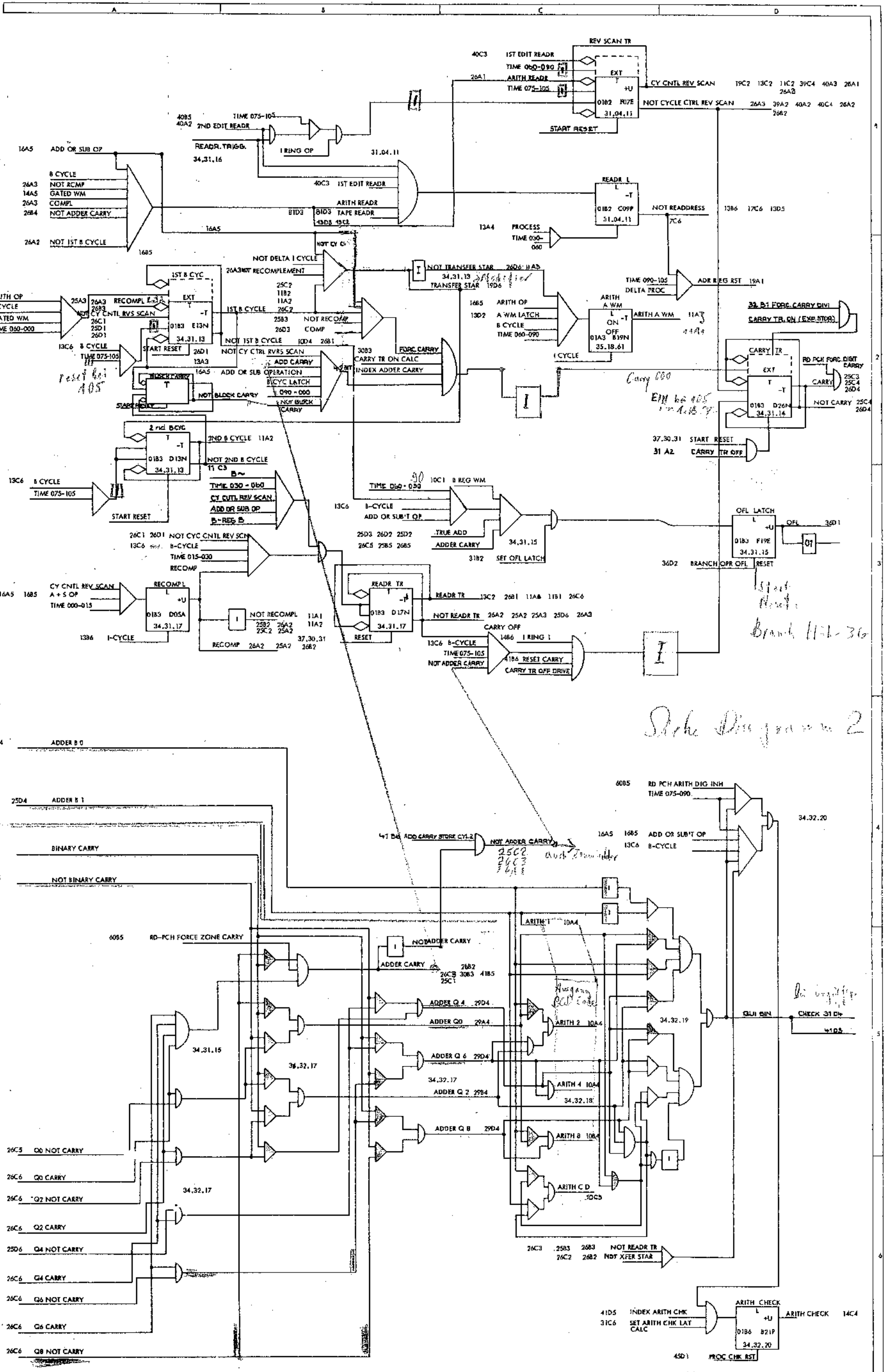
25A6 Q6 NOT CARRY

25A6 Q6 CARRY

25A6 Q8 NOT CARRY

25A6 Q8 CARRY

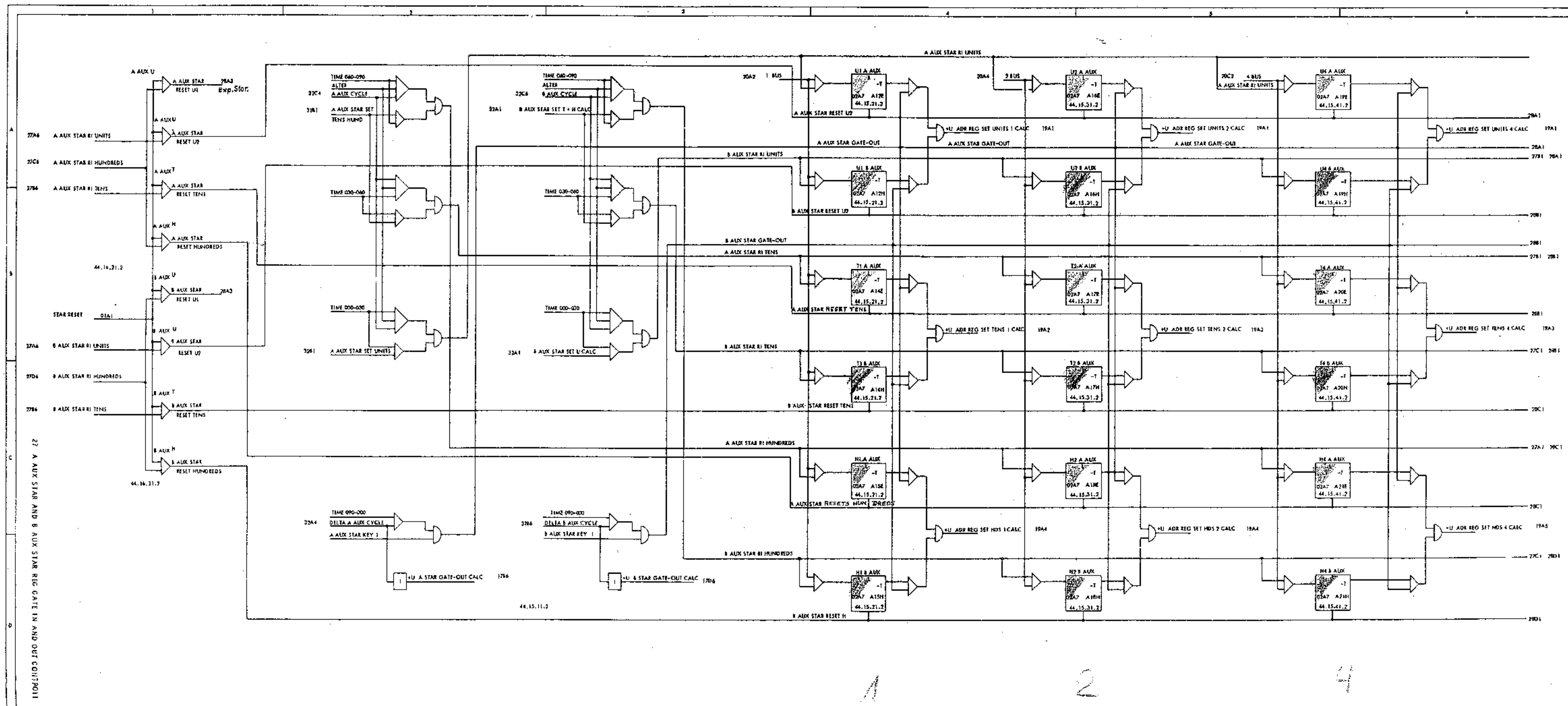
Handwritten notes: 'Compl', 'True', 'Zone Adder', 'Zone Bit Generator', 'Binary Adder', 'B Reg 1 A B, B0', 'ADIT A', 'Quil Bin', 'Q0 B0', 'Q0 B1', 'Q2 B0', 'Q2 B1', 'Q4 B0', 'Q4 B1', 'Q6 B0', 'Q6 B1', 'Q8 B0', 'Q8 B1'.



*Stroke Diagram 2*

25D4	ADDER B 0
25D4	ADDER B 1
25D4	BINARY CARRY
25D4	NOT BINARY CARRY
25D6	Q0 NOT CARRY
25D6	Q0 CARRY
25D6	Q2 NOT CARRY
25D6	Q2 CARRY
25D6	Q4 NOT CARRY
25D6	Q4 CARRY
25D6	Q6 NOT CARRY
25D6	Q6 CARRY
25D6	Q8 NOT CARRY
25D6	Q8 CARRY

A  
B  
1 2 4



A  
B  
1 2 4

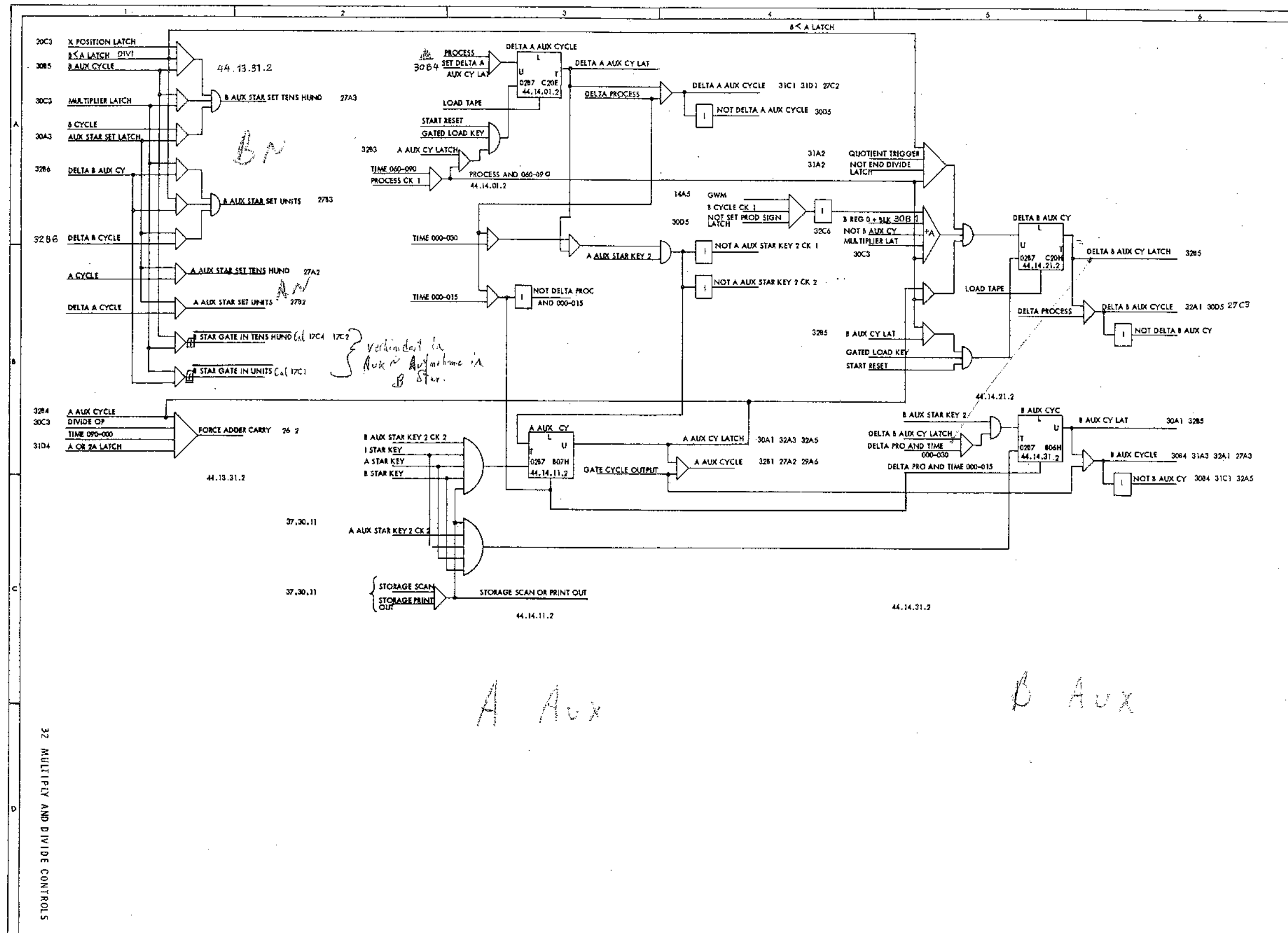










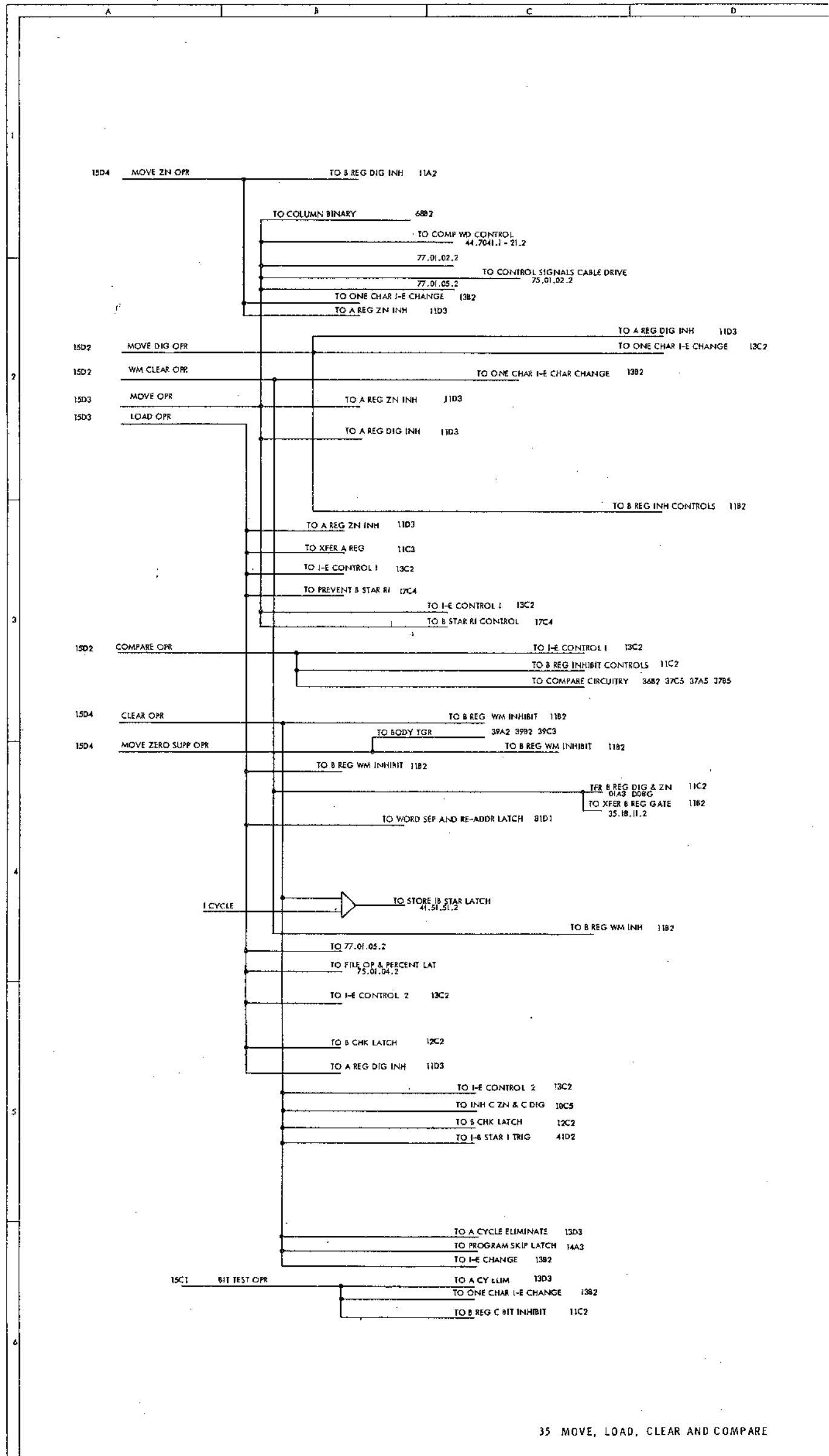


32 MULTIPLY AND DIVIDE CONTROLS

A Aux

B Aux





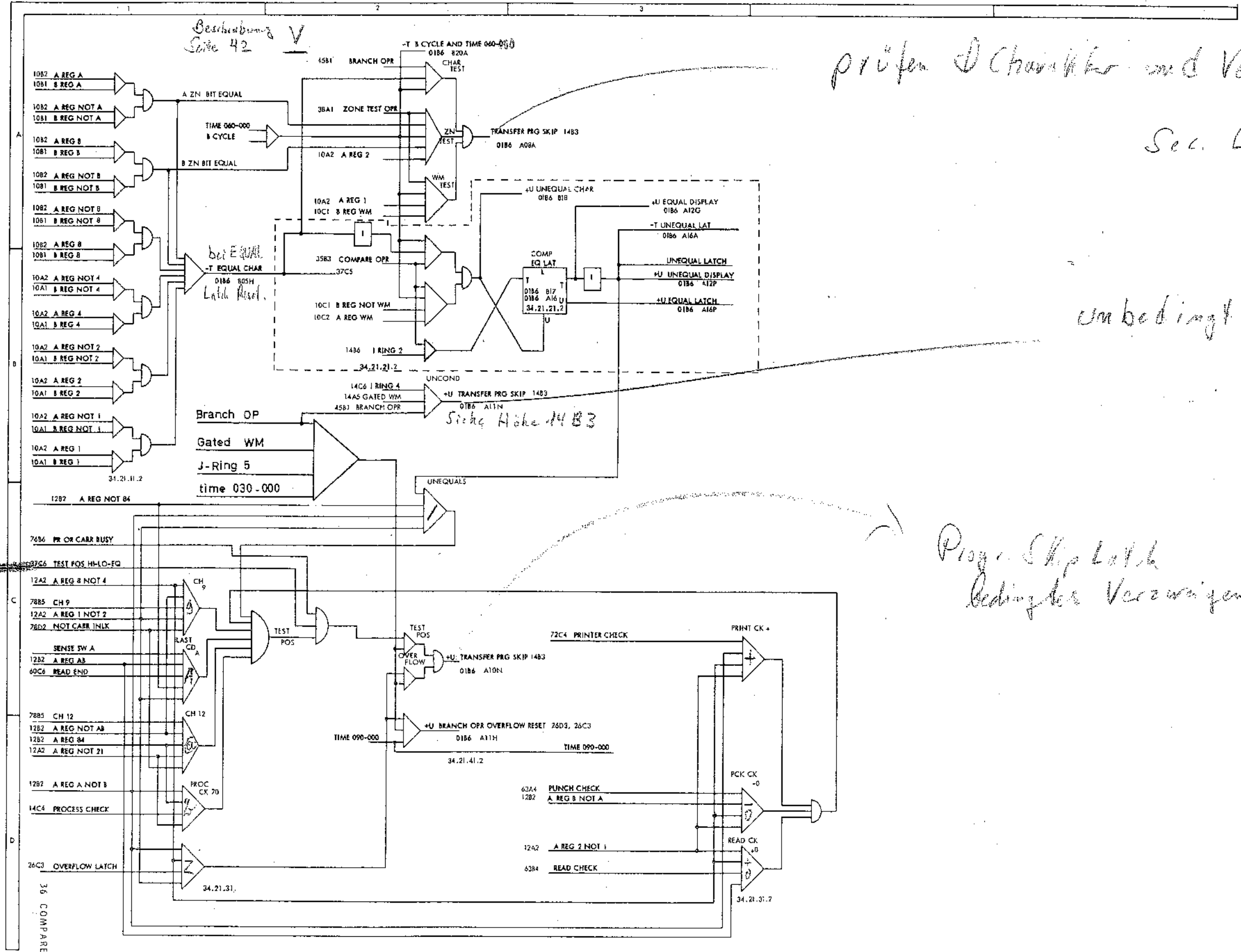
Beschreibung V  
Seite 42

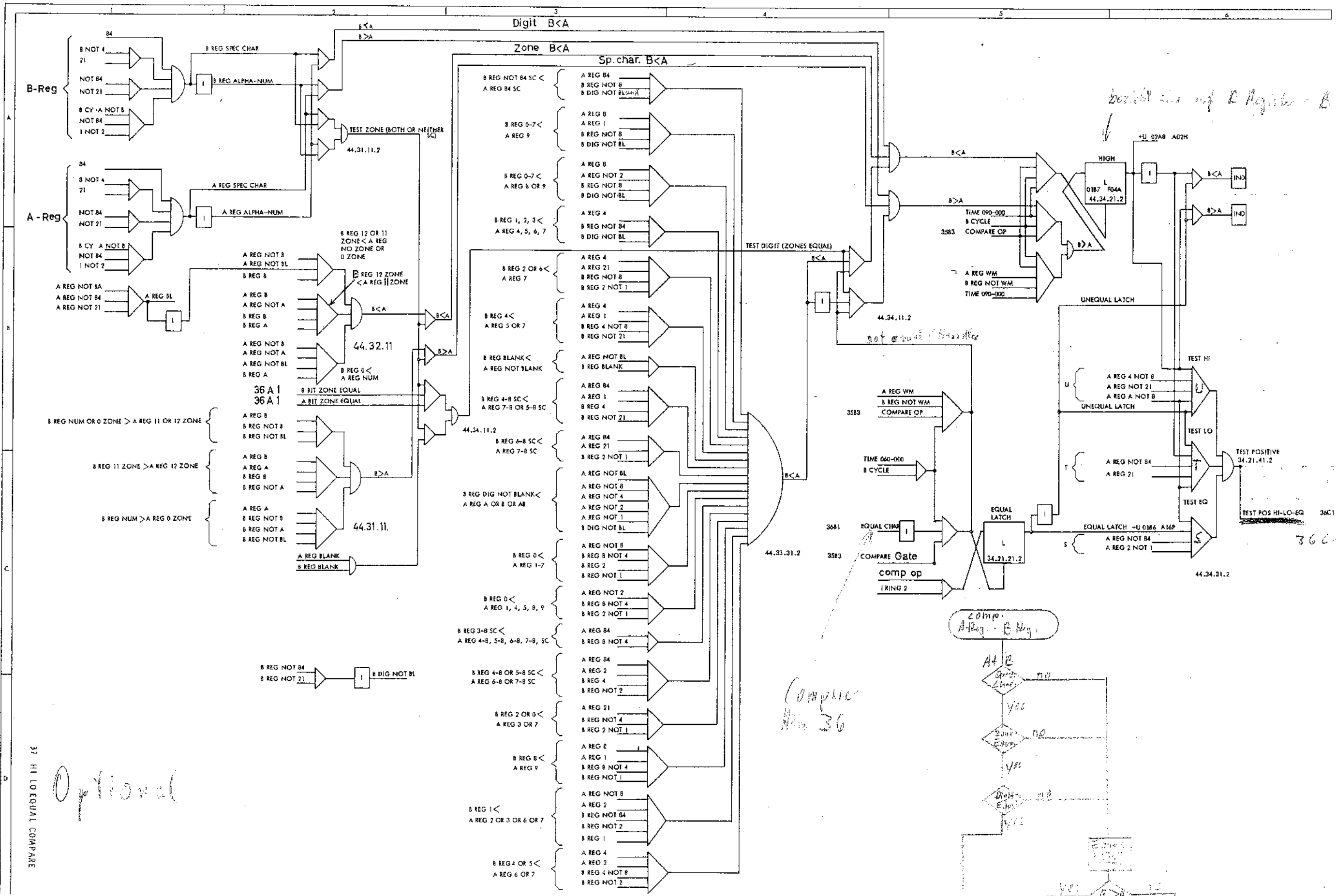
prüfen Charakter und Verzweigen

Sec. Lev. 14B3

unbedingt Verzweigen

Prog. Skip Latch  
bedingtes Verzweigen

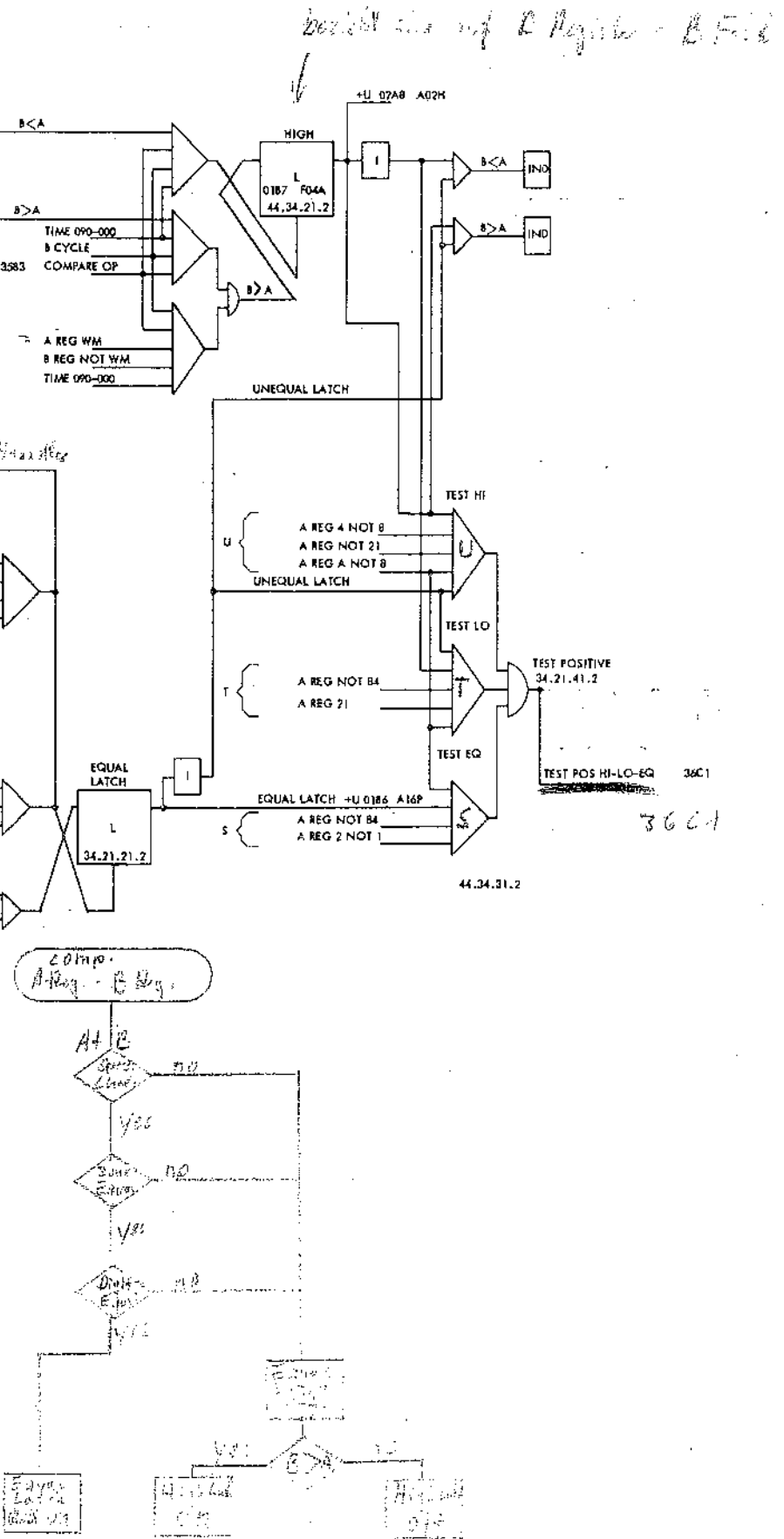




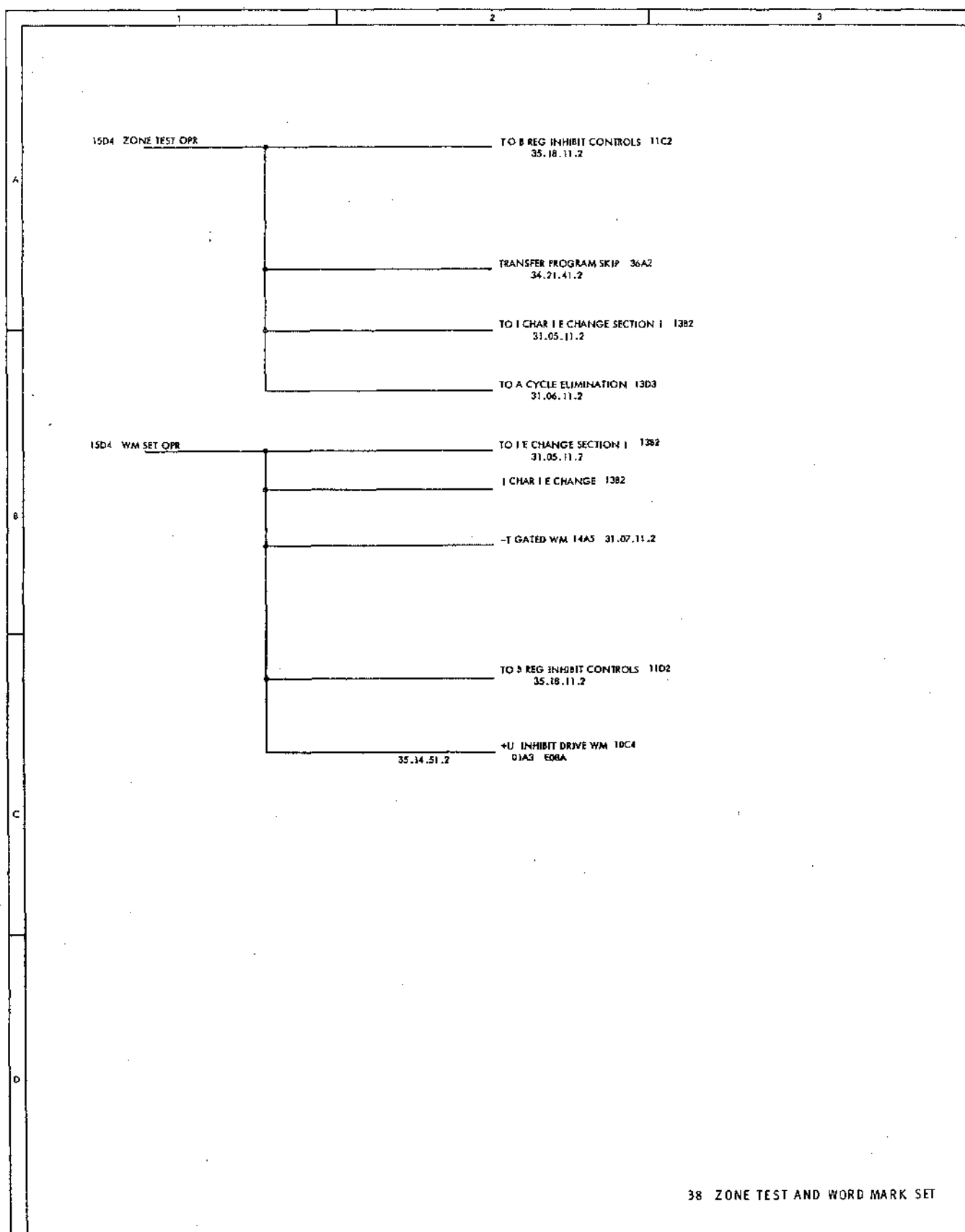
37 HI LO EQUAL COMPARE

Optional

Compare No. 36

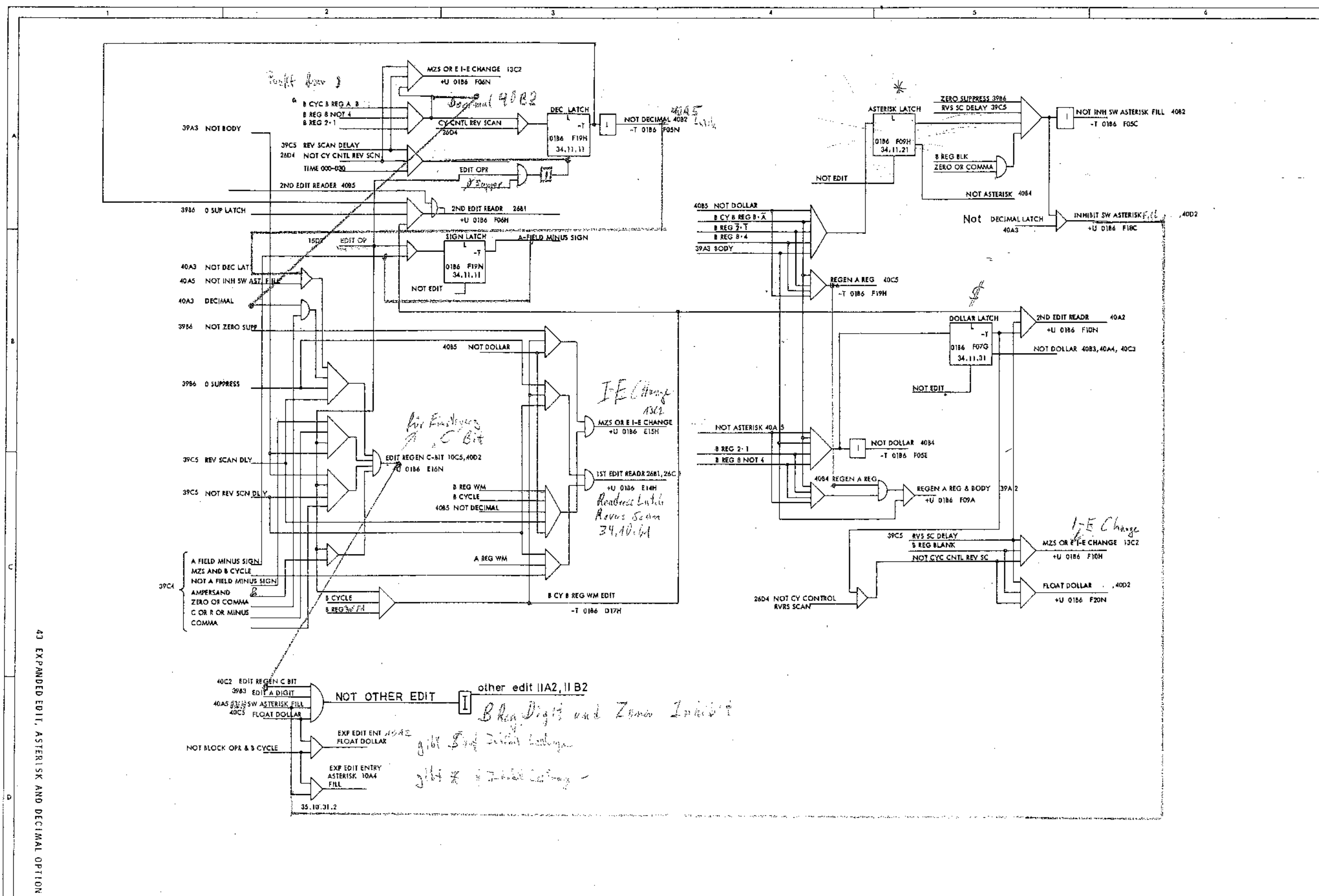


36C1





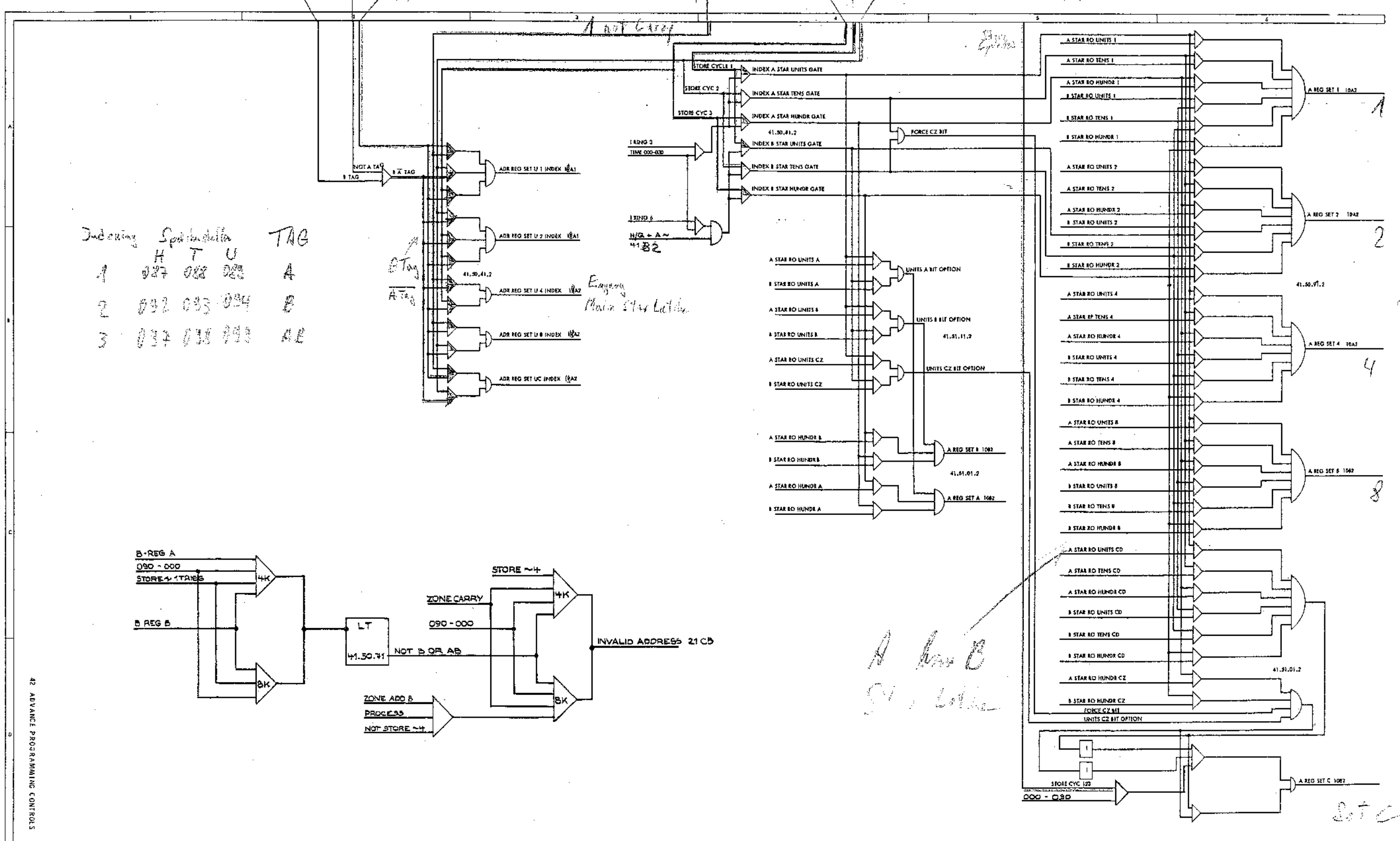




43 EXPANDED EDIT, ASTERISK AND DECIMAL OPTION

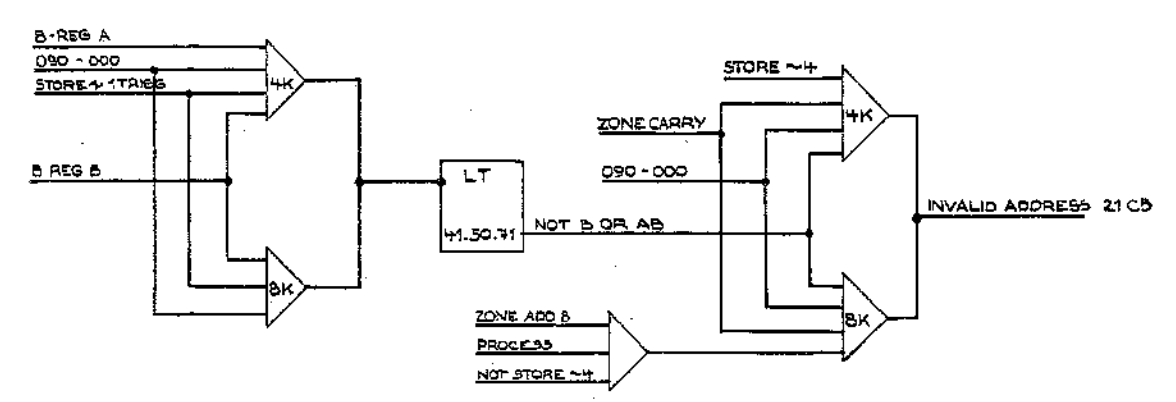
35.10.31.2





Indexing Spindella TAG

	H	T	U	TAG
1	027	028	029	A
2	032	033	034	B
3	037	038	039	AB

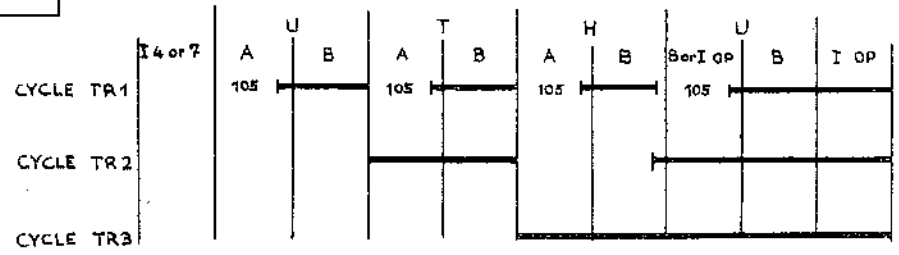
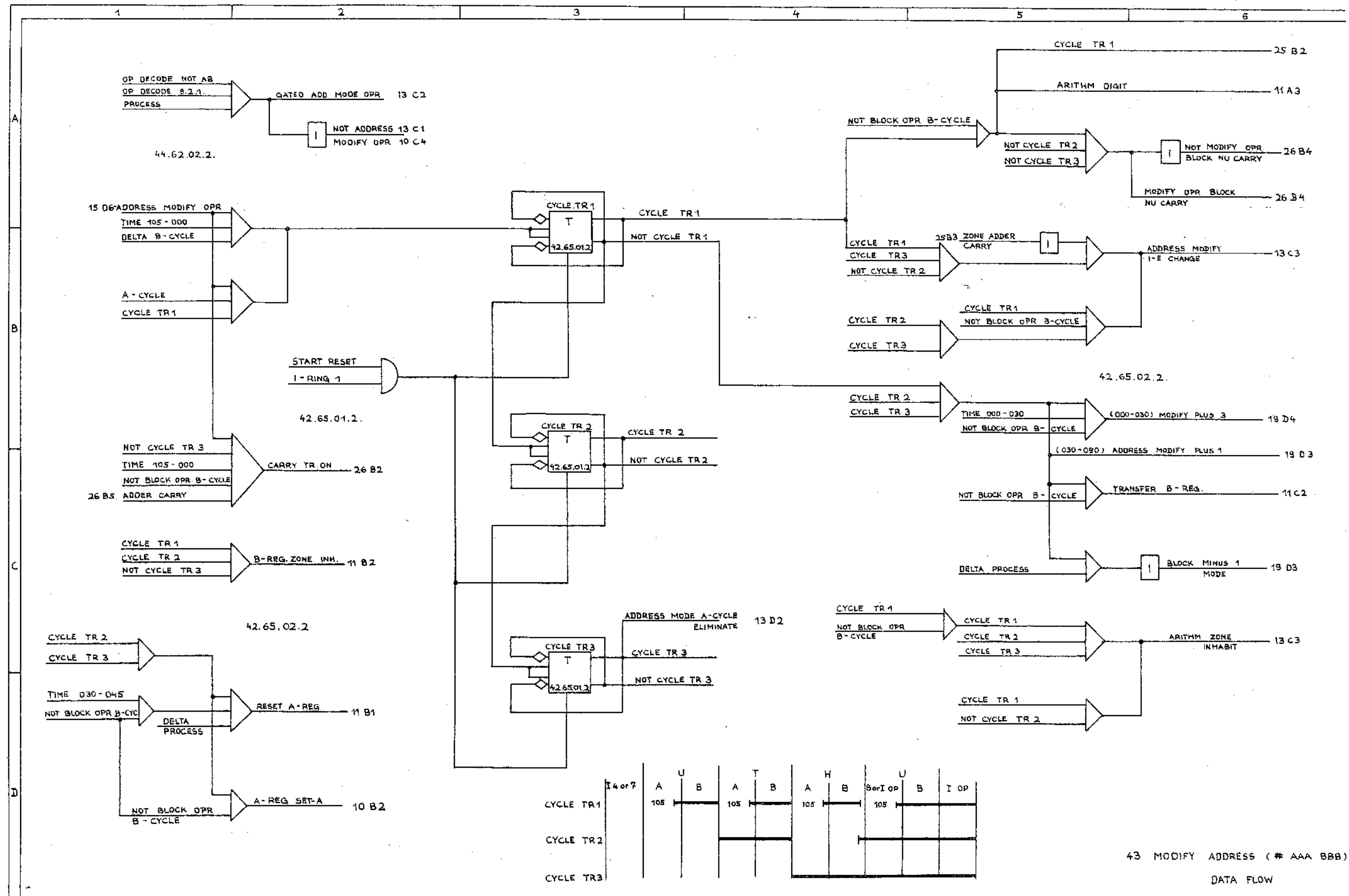


42 ADVANCE PROGRAMMING CONTROLS

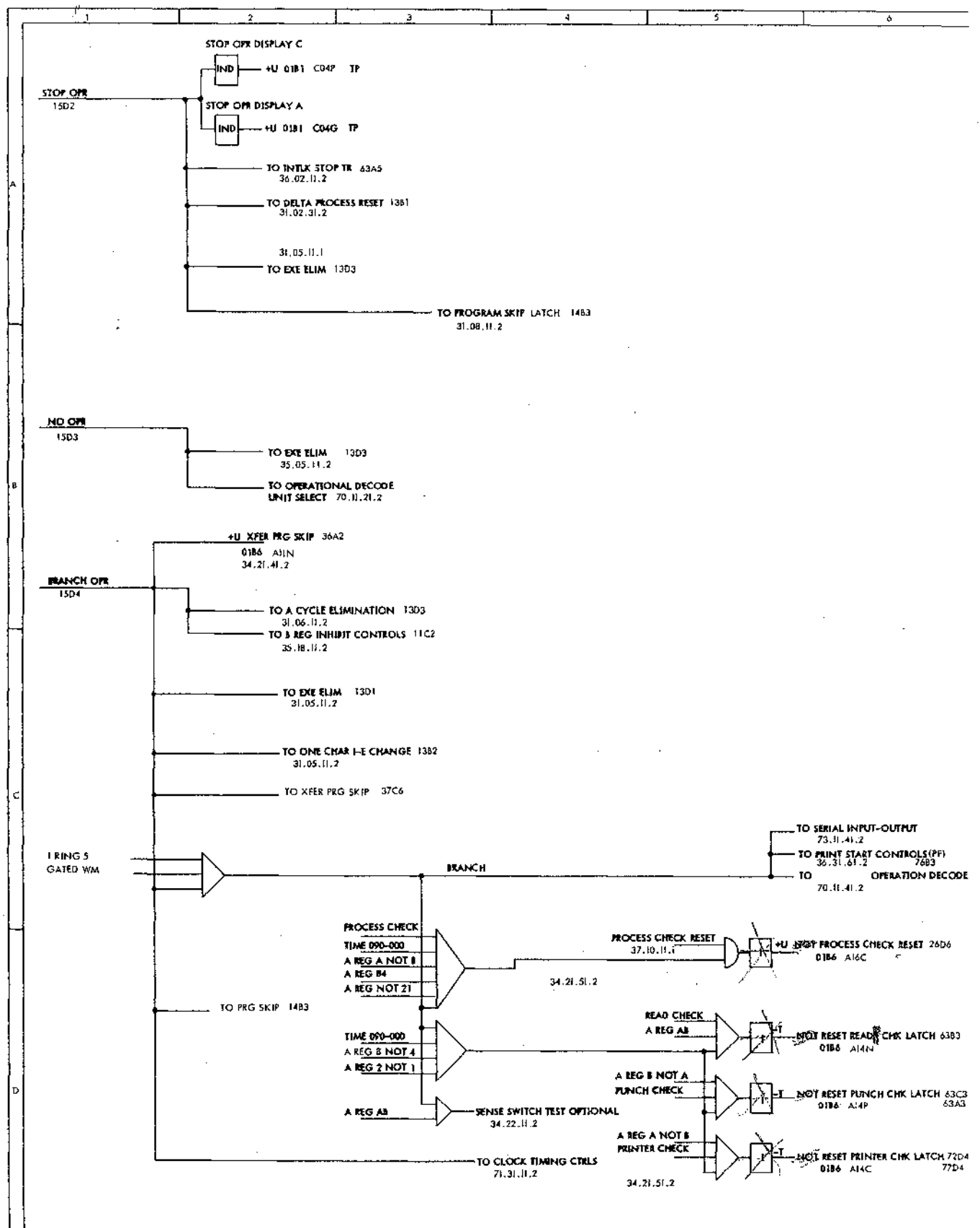
with A Reg.

A has B  
S1, Latch

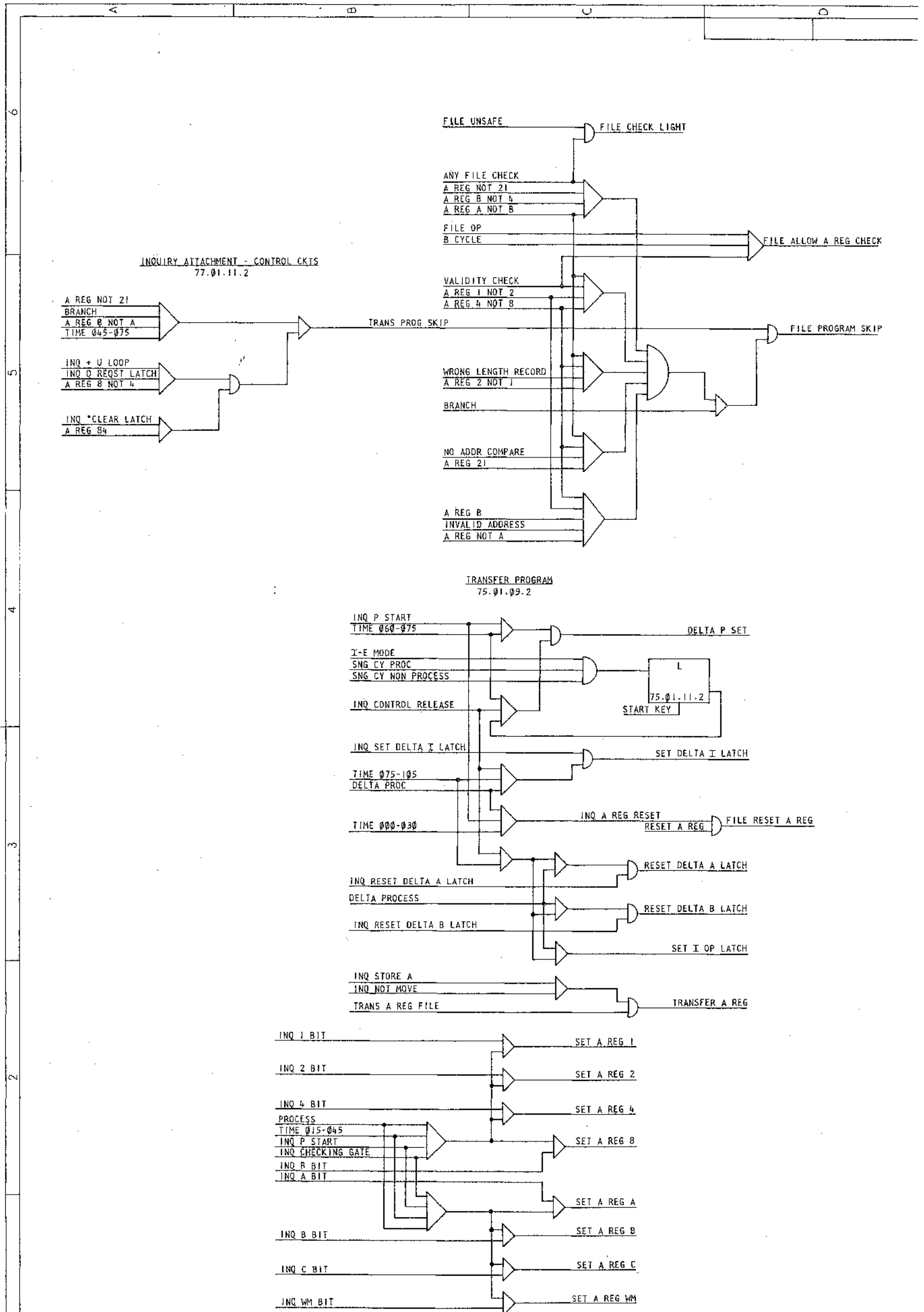
Set C

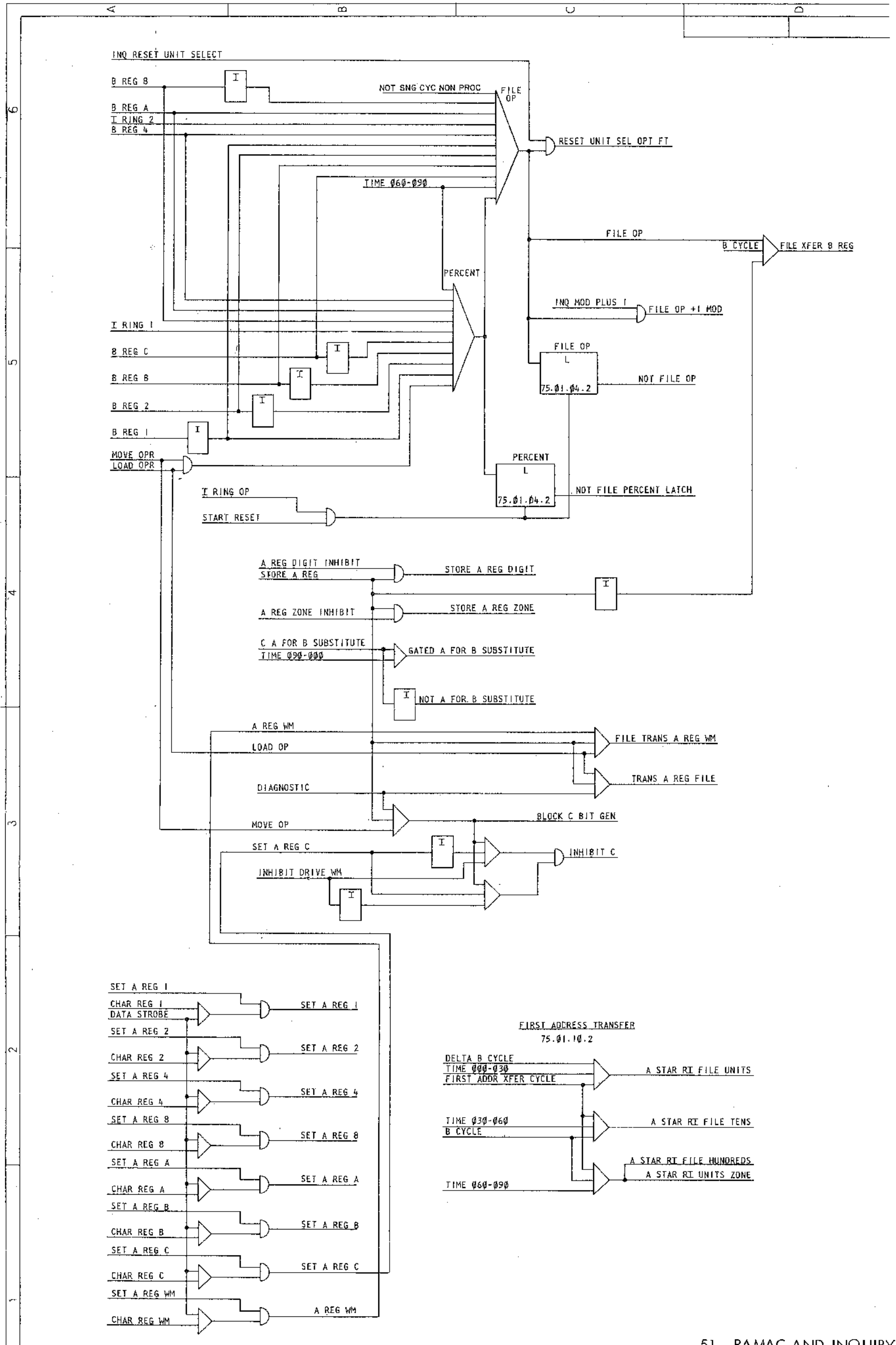


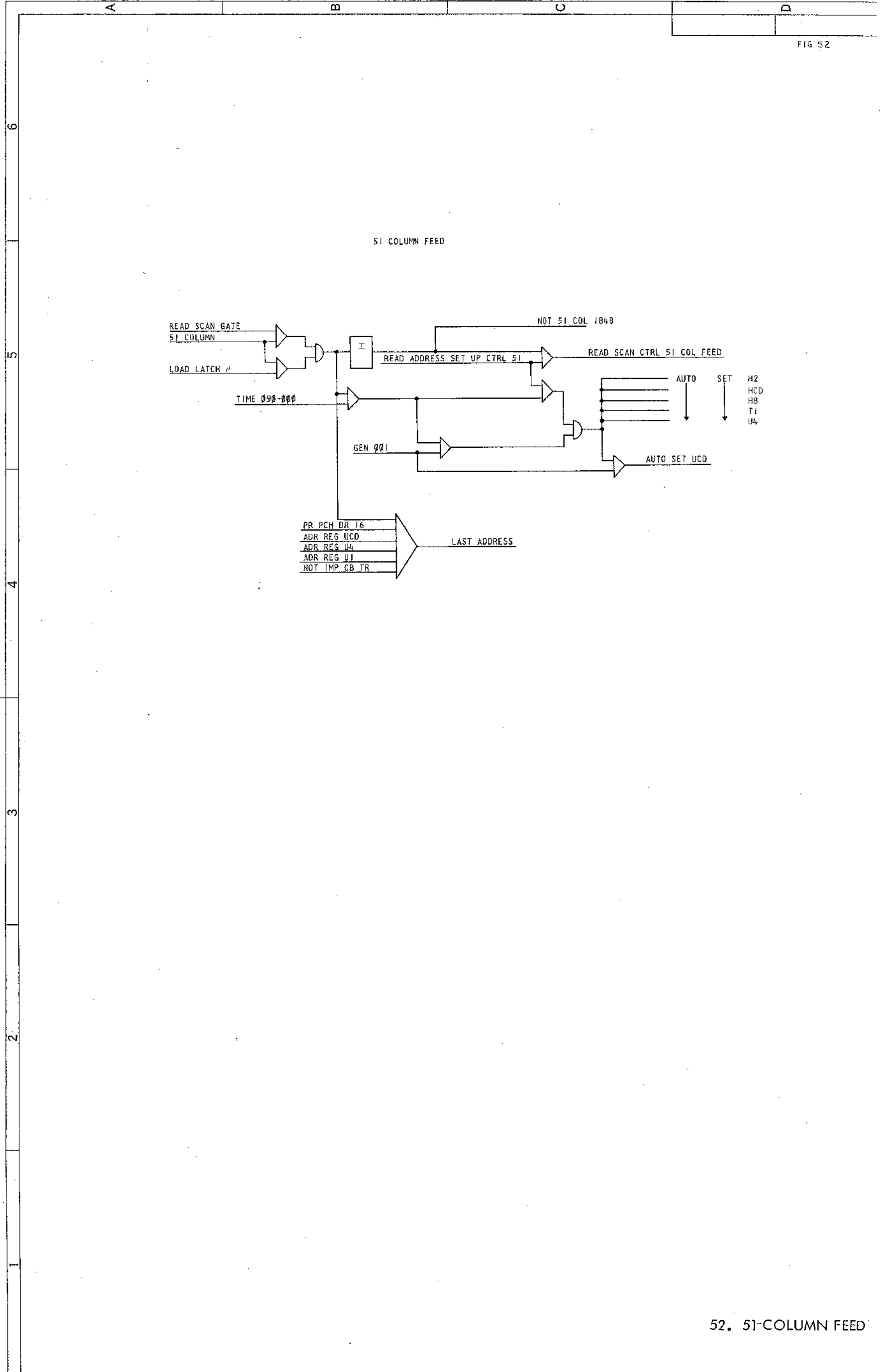
43 MODIFY ADDRESS (# AAA BBB)  
 DATA FLOW  
 14.7.62.

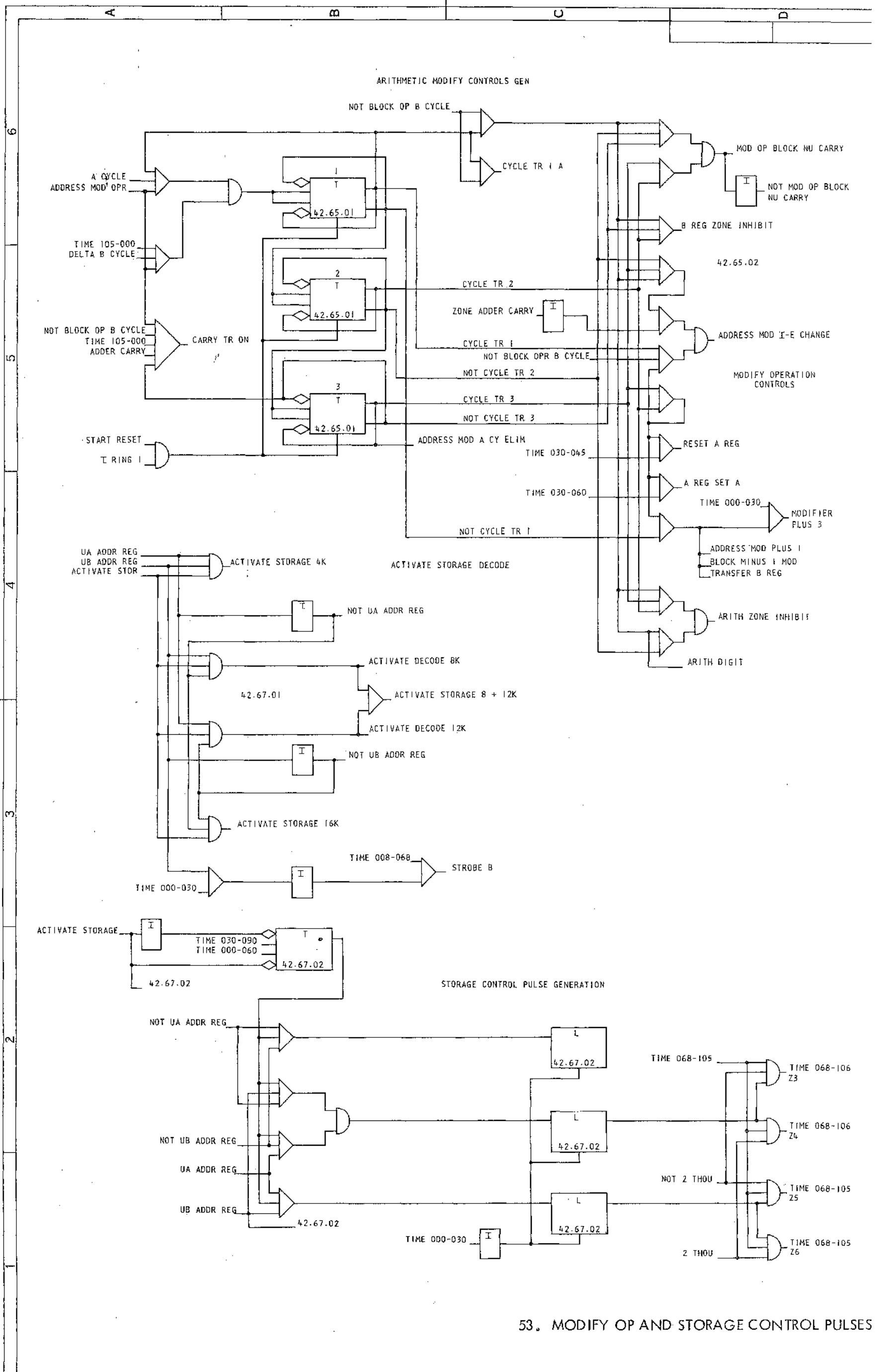




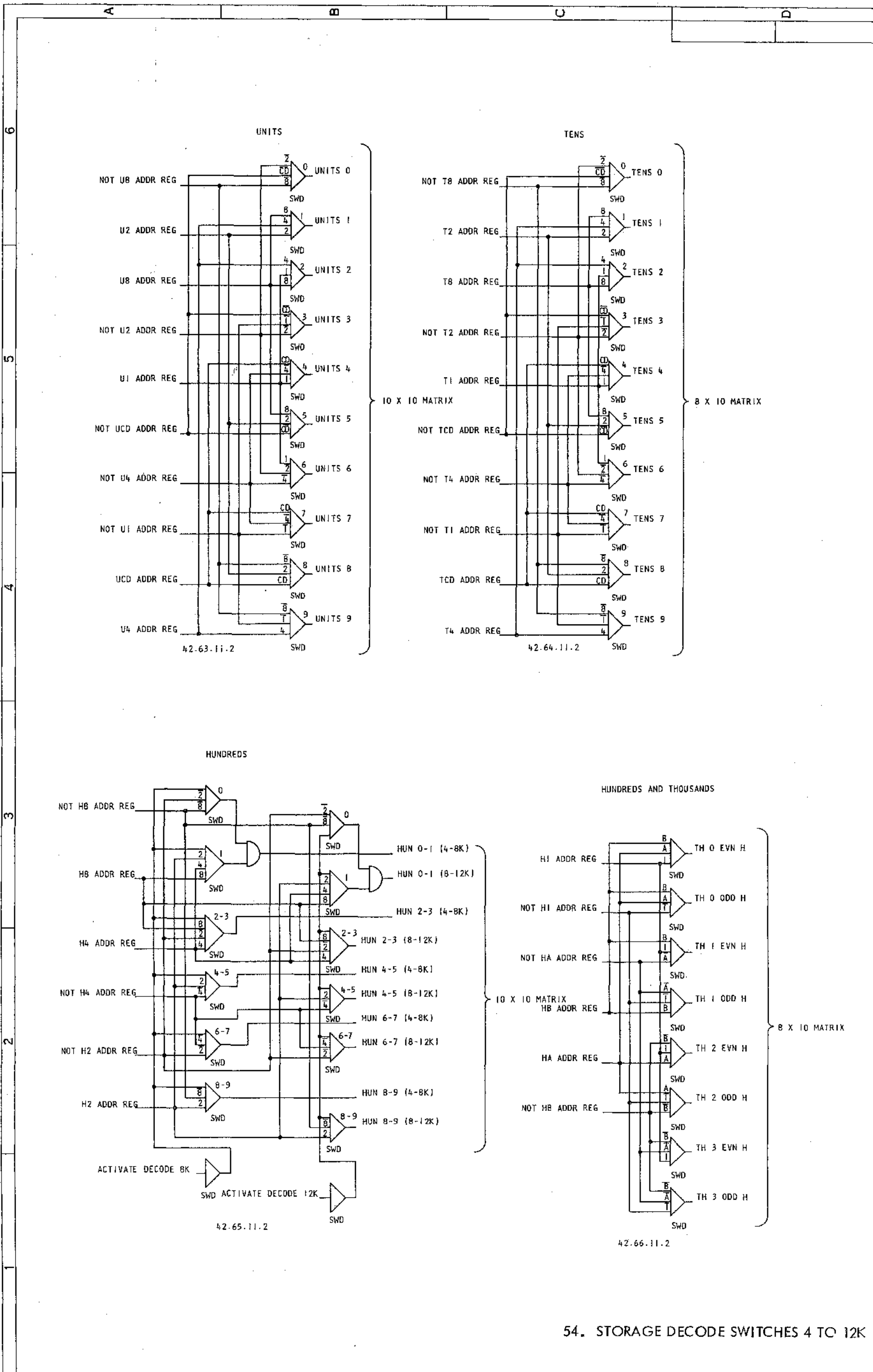






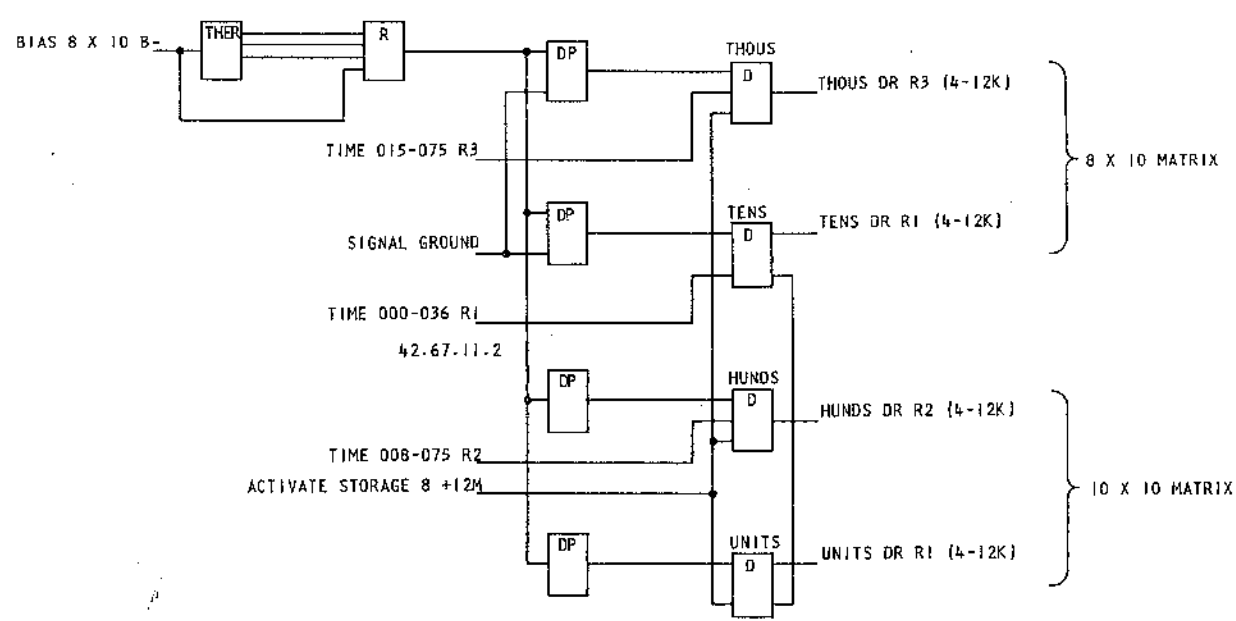


53. MODIFY OP AND STORAGE CONTROL PULSES

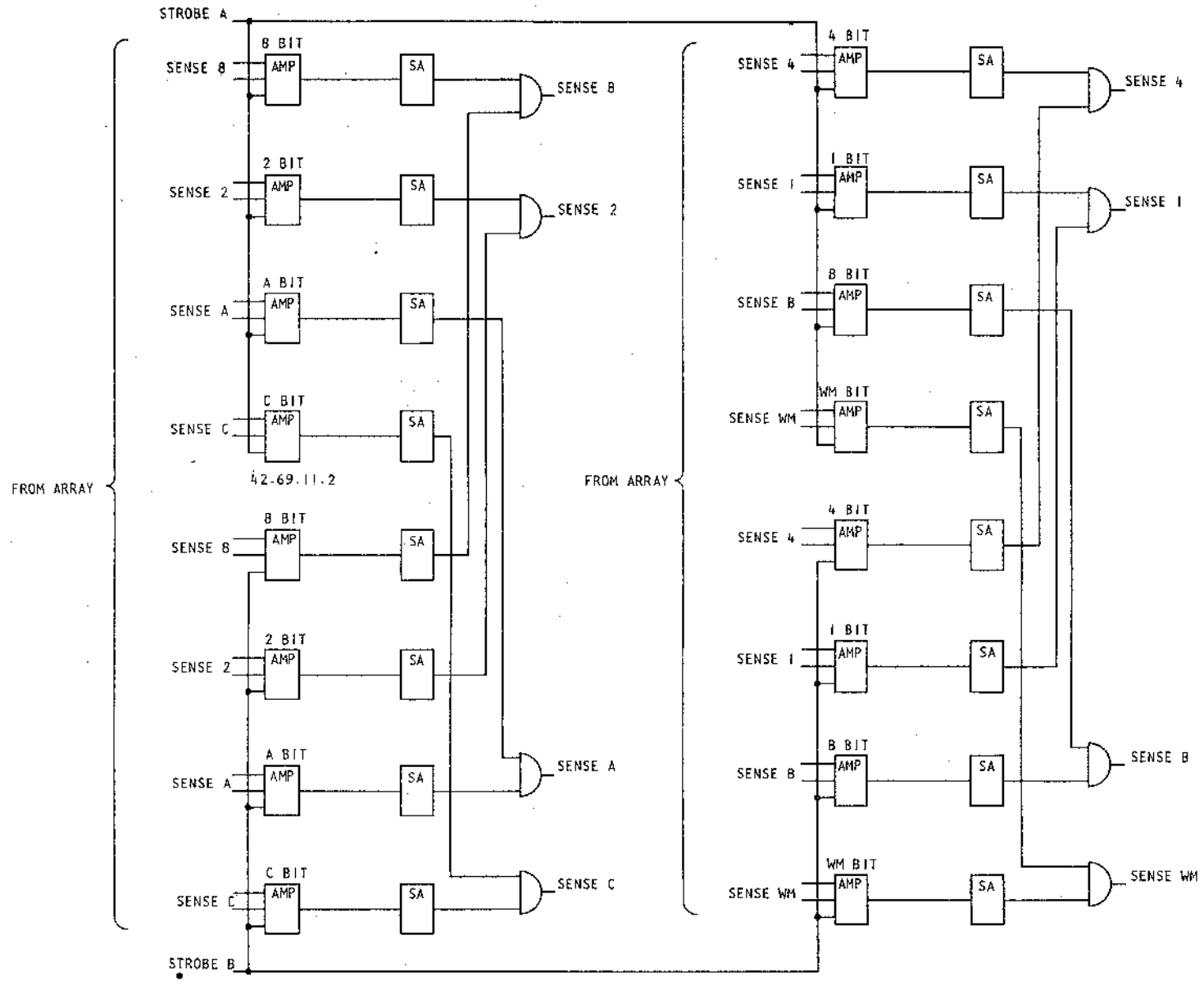


54. STORAGE DECODE SWITCHES 4 TO 12K

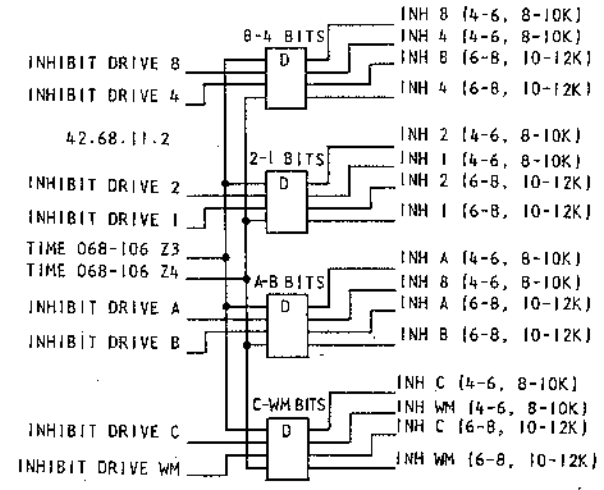
CURRENT DRIVERS AND CURRENT SOURCES



PRESENSE AND SENSE AMPLIFIERS

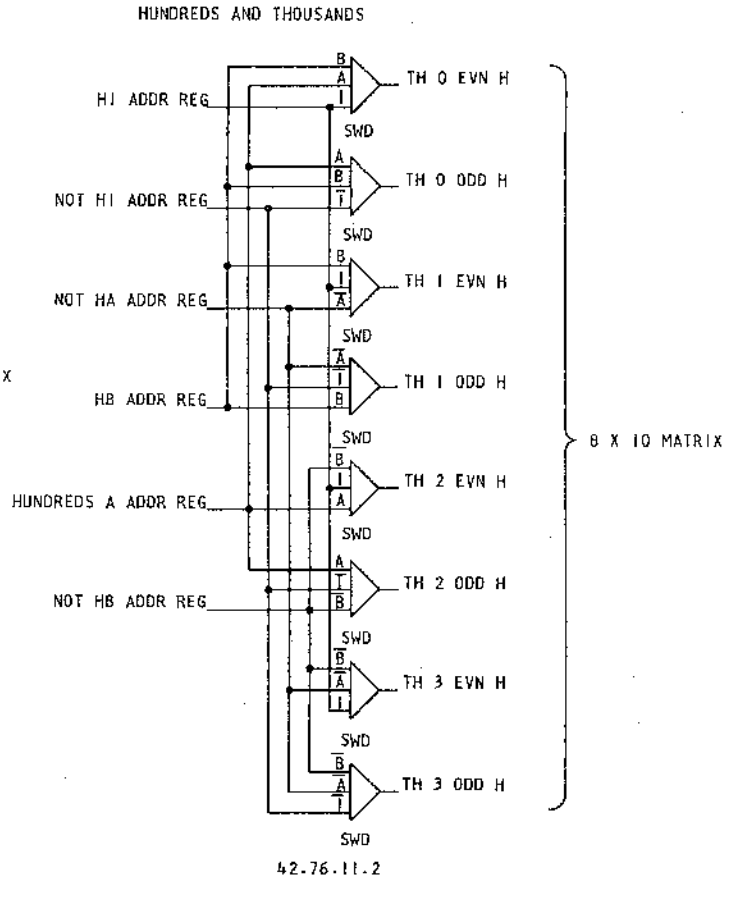
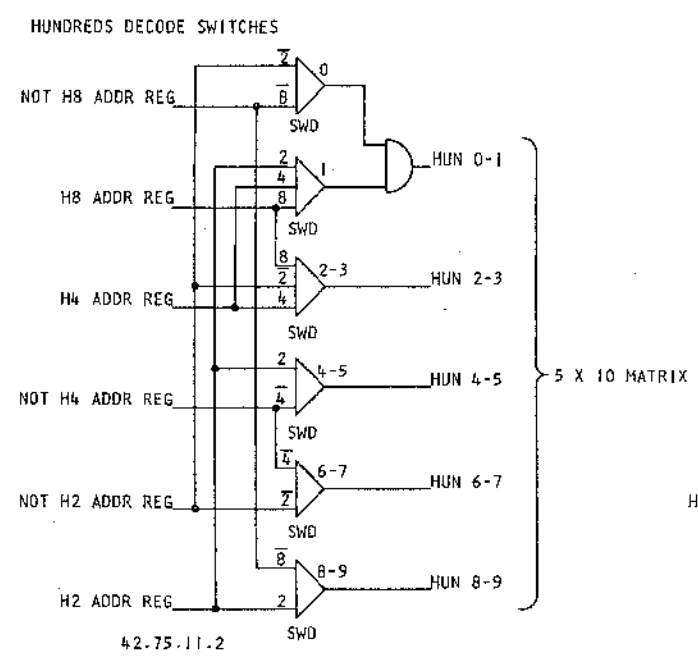
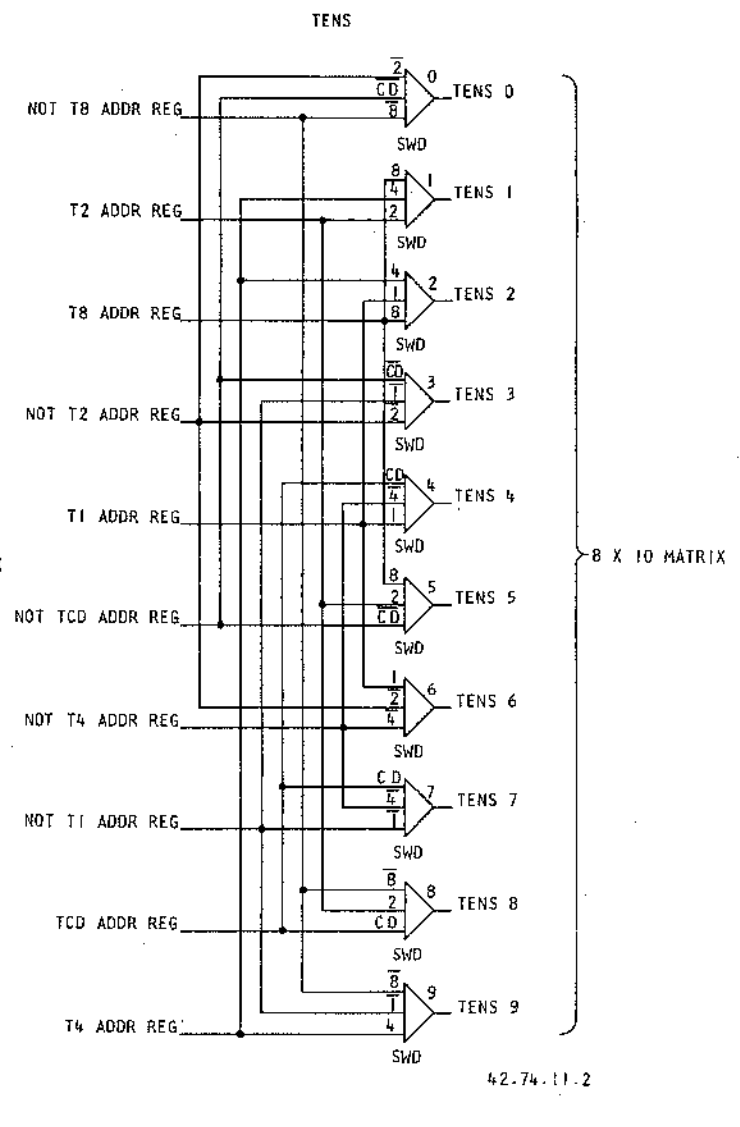
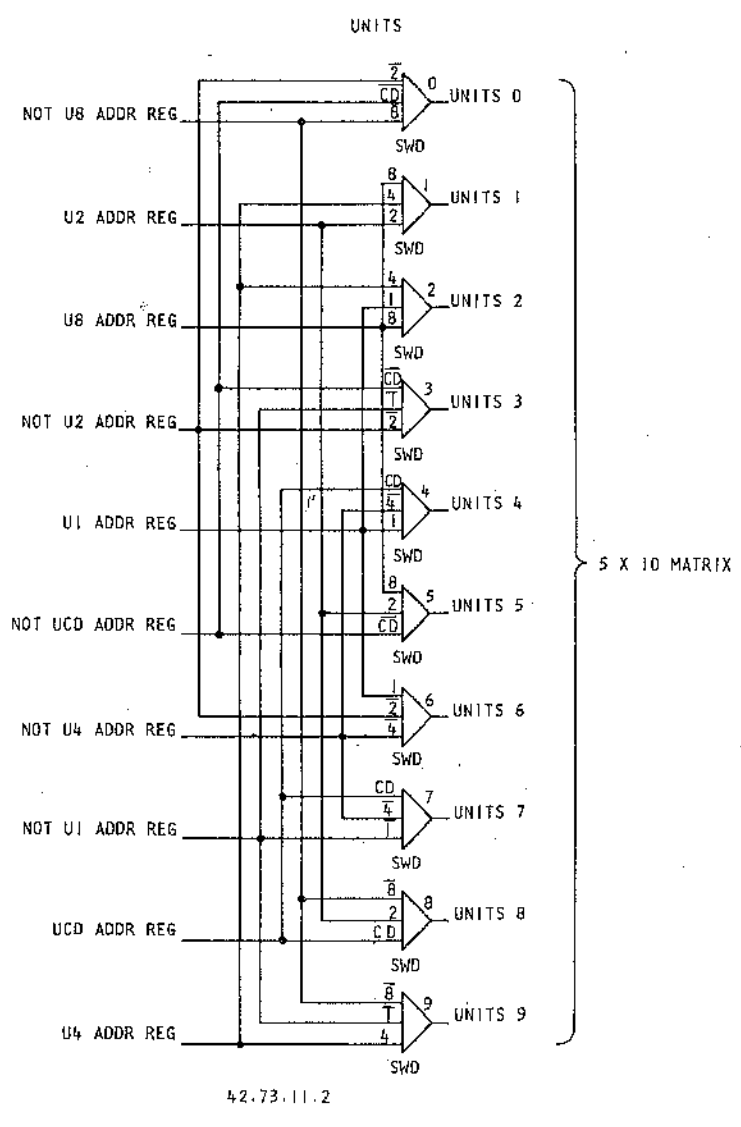


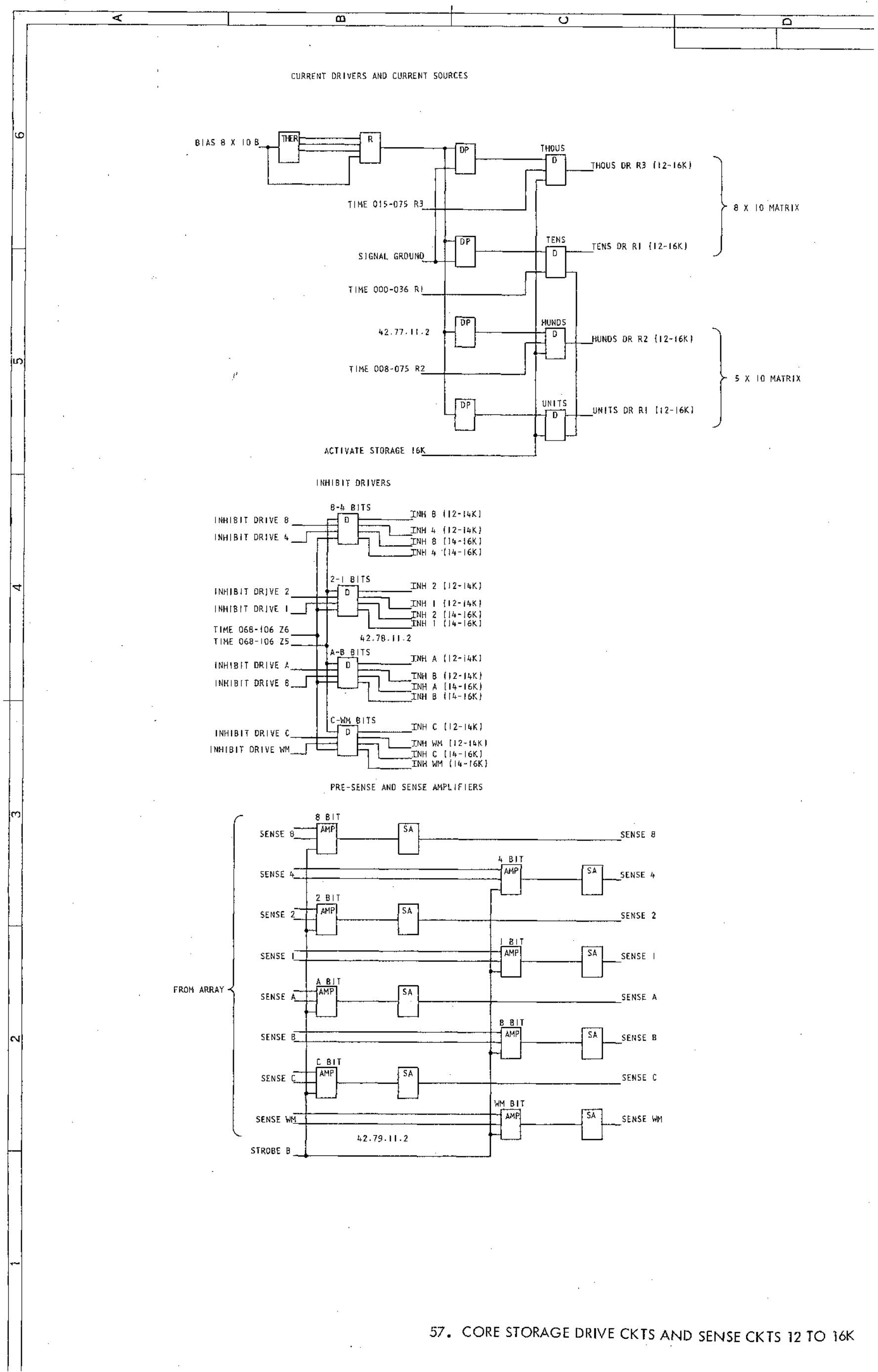
INHIBIT DRIVERS

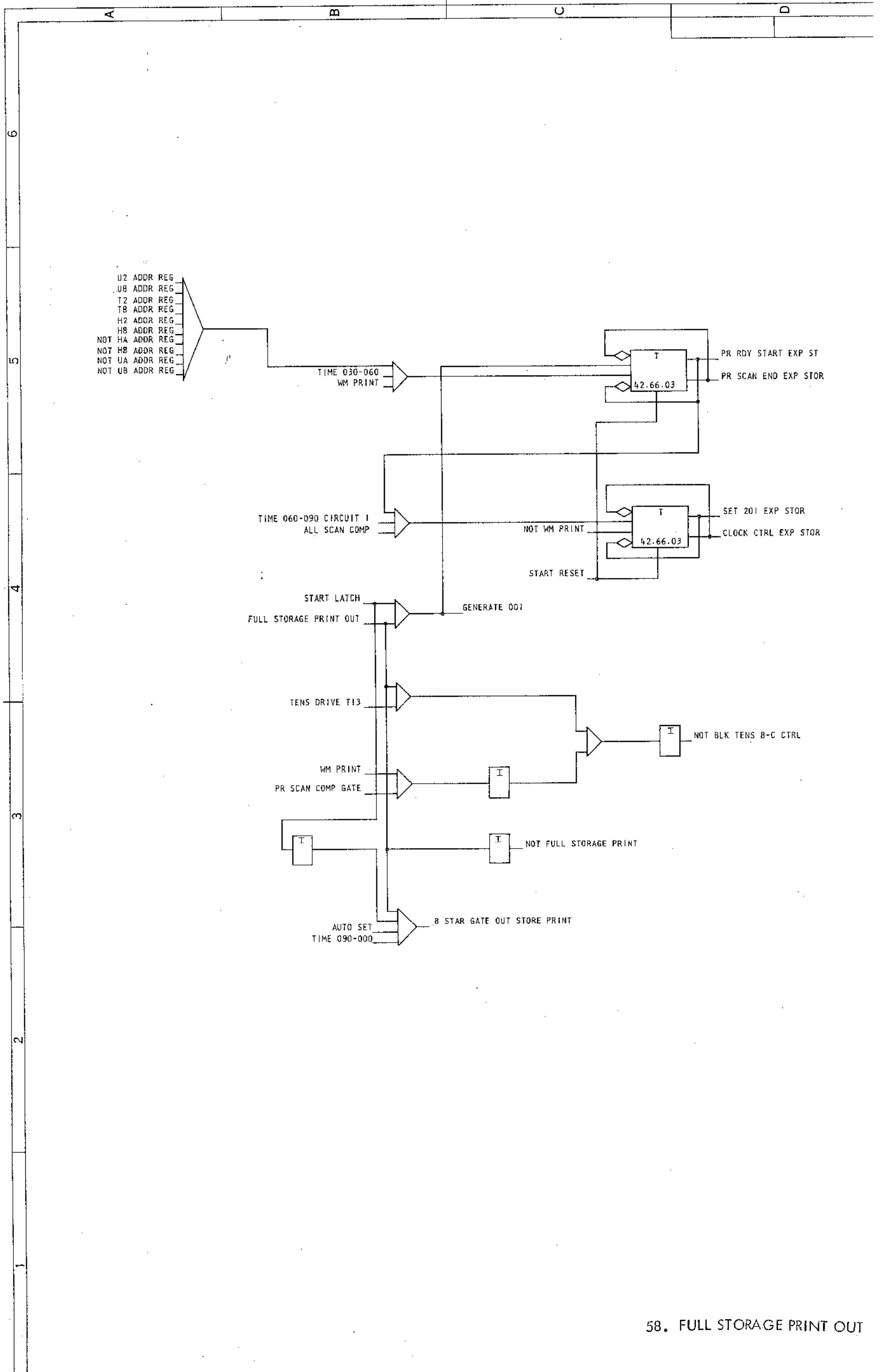




6  
10  
14  
18  
22  
26  
30  
34



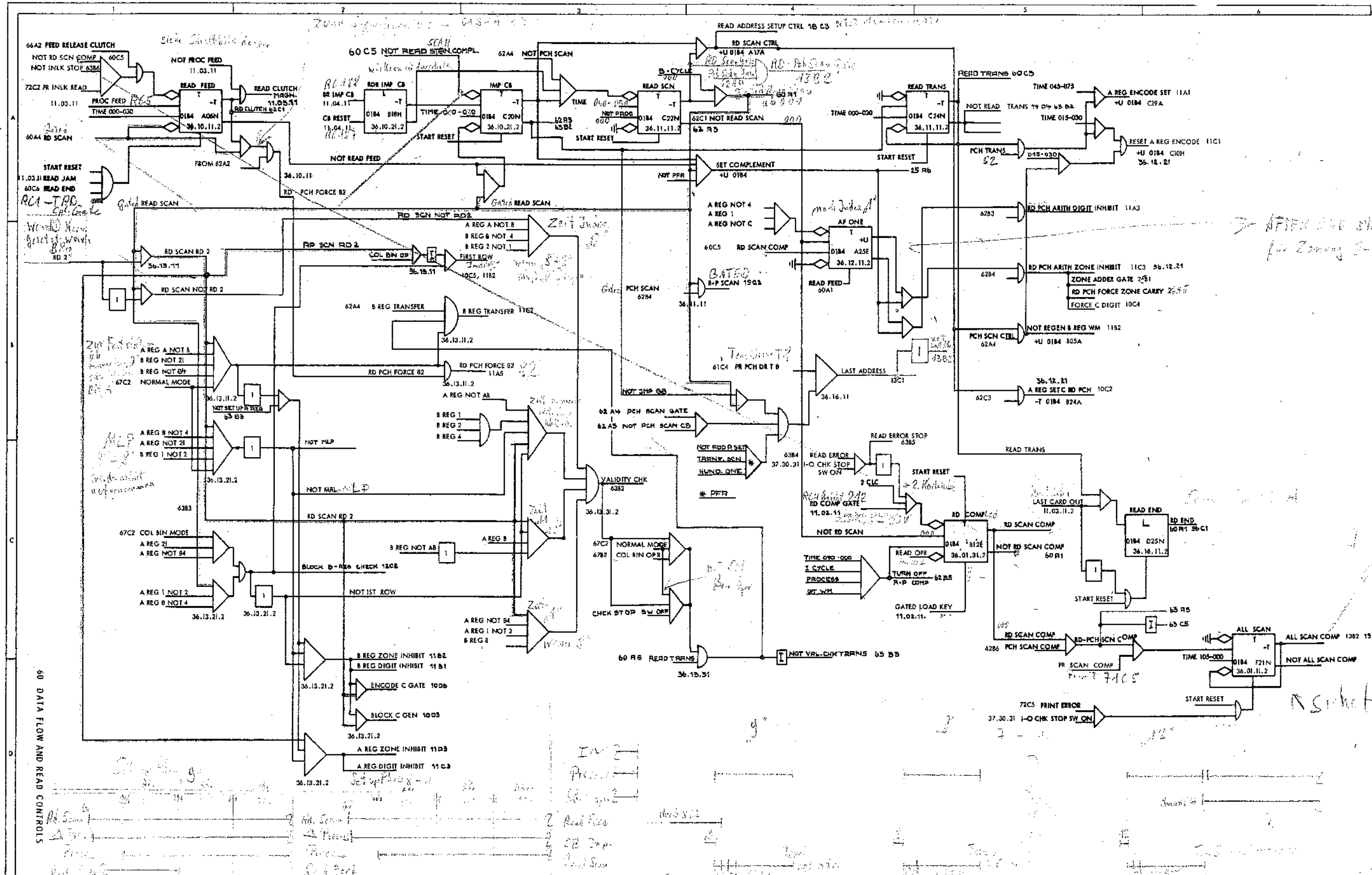




58. FULL STORAGE PRINT OUT

Lade Tabelle:

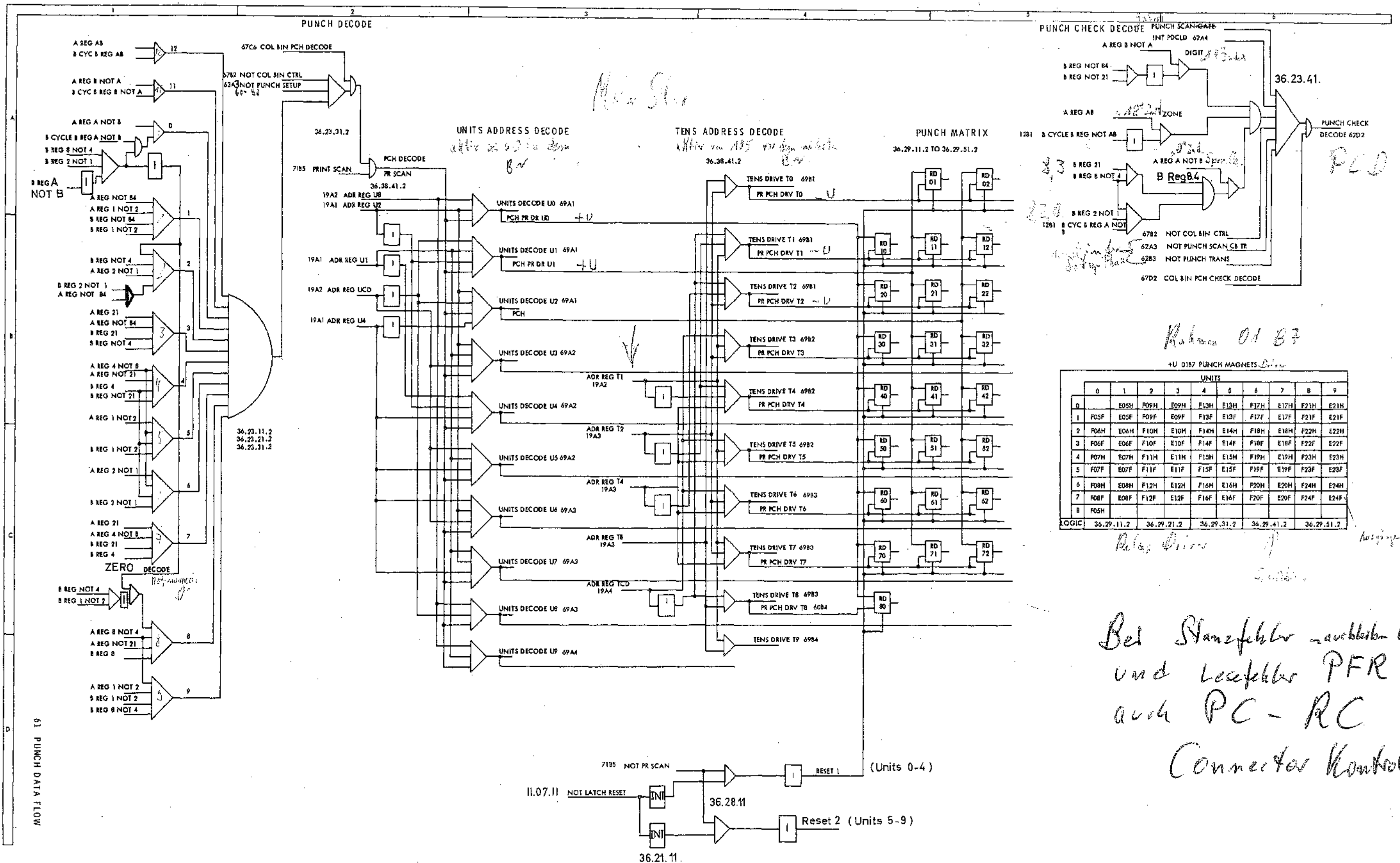
- 1) 15034 → Load L1/L2
- 2) 15035 → Op. Req. du Read → S.F. A. (Read Op.)
- 3) 15037 → Read Scan Compl. → Adv
- 4) 15038 → Set ΔB-Lat. und Read ΔA. I Lat.
- 5) 15039 → Set WM in 001
- 6) 15040 → Read WM in 002-080
- 7) 15041 → Set Memory to 600
- 8) 15042 → Read Scan Compl. end in 3. Zel 900
- 9) 15043 → Load L1/L2 → 1000



Alficker  
 11.03.11  
 11.04.11  
 11.05.11  
 11.06.11  
 11.07.11  
 11.08.11  
 11.09.11  
 11.10.11  
 11.11.11  
 11.12.11

60 DATA FLOW AND READ CONTROLS

Handwritten notes and signatures at the bottom of the page, including 'Bas...' and 'Seite 100'.



+U 0187 PUNCH MAGNETS Drive

	UNITS									
	0	1	2	3	4	5	6	7	8	9
0	E05H	F09H	E09H	F13H	E13H	F17H	E17H	F21H	E21H	
1	F05F	E05F	F09F	E09F	F13F	E13F	F17F	E17F	F21F	E21F
2	F06H	E06H	F10H	E10H	F14H	E14H	F18H	E18H	F22H	E22H
3	F06F	E06F	F10F	E10F	F14F	E14F	F18F	E18F	F22F	E22F
4	F07H	E07H	F11H	E11H	F15H	E15H	F19H	E19H	F23H	E23H
5	F07F	E07F	F11F	E11F	F15F	E15F	F19F	E19F	F23F	E23F
6	F08H	E08H	F12H	E12H	F16H	E16H	F20H	E20H	F24H	E24H
7	F08F	E08F	F12F	E12F	F16F	E16F	F20F	E20F	F24F	E24F
8	F05H									
LOGIC	36.29.11.2	36.29.21.2	36.29.31.2	36.29.41.2	36.29.51.2					

Bei Stanzfehler nachbleiben ledige  
und Leerfelder PFR  
auch PC-RC  
Connector Kontrollen

61 PUNCH DATA FLOW



FFF Note [unt] 64



Transfer Scan  
läuft immer nach 13. Scan und  
besteht von 001-180 nach 101-180

X	X		Y Planes →	Y Planes
X	Y		Y Planes →	X Planes
X	X		Y Planes →	Y Planes
X	Y		Y Planes →	X Planes

Read Scan mit X Gate und PFR B<sub>0</sub> liest in Y Planes 001-180  
Read Scan mit Y Gate und PFR B<sub>0</sub> liest in X Planes 001-180

Punch Scan mit X Gate und P.C.D. liest in X Planes 101-180  
Punch Scan mit Y Gate und P.C.D. liest in Y Planes 101-180  
Punch Scan mit X Gate und P.C.B<sub>0</sub> liest in Y Planes 101-180  
Punch Scan mit Y Gate und P.C.B<sub>0</sub> liest in X Planes 101-180

In der Stand situation PFR + P.C.D. = P.C.B<sub>0</sub>.

Falls durch Fehler im 13. Scan noch regeneriert wird, springt im Transfer Scan X oder Y Select (62C5) dafür, daß von den B.Reg. Check Latchen nichts auf die Jaksbit leitungen kommen kann.

Kan. Kom. 1	V. B. 1	RD2 2.B <sub>0</sub>	RD1 1.B <sub>0</sub>
2	3	RD2	RD1
3	4	RD2	RD1
4	5	RD2	RD1

Y Gate =

	1 X	2 Y	3 X	4 Y
XU	1	0	1	0
XL	1	0	1	1
YU		1	0	
YL		101	010	

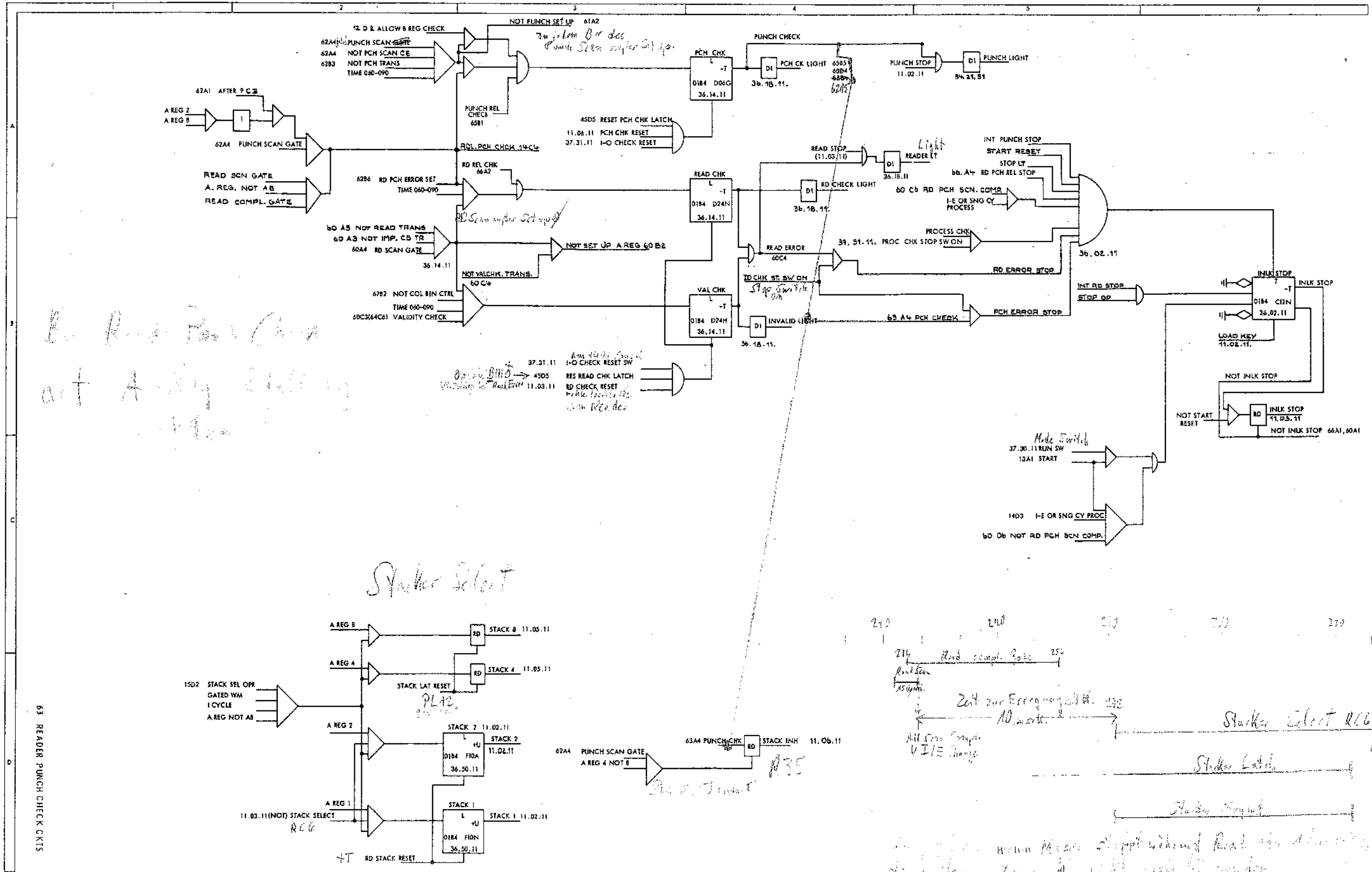
X Gate + RD1 = Row Bit X  
Y Gate + RD2 =

Y Gate + RD1 = Row Bit Y  
X Gate + RD2 =

ROW Bit X setzt X Planes  
ROW Bit Y setzt Y Planes

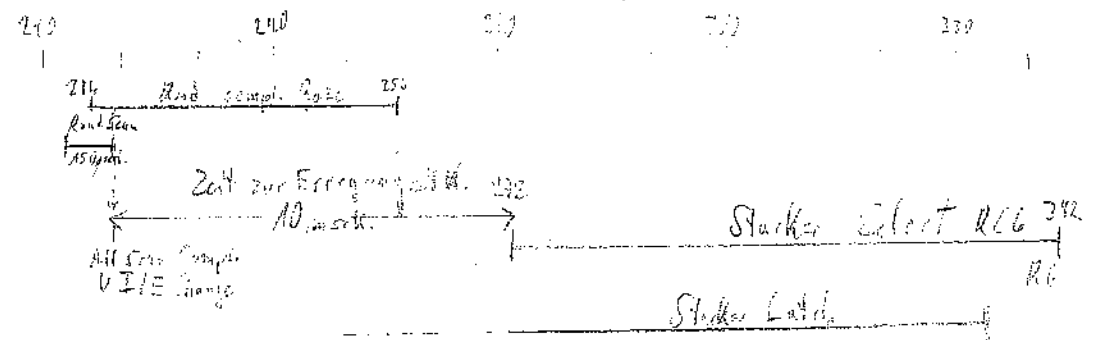
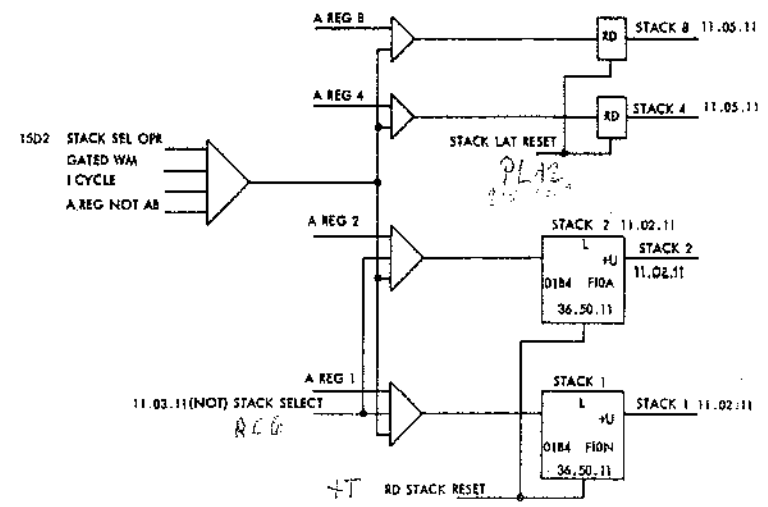
U<sub>upper</sub> = 1X  
L<sub>lower</sub> = für jede Leckung





*Handwritten notes:*  
 E. Reader Punch Check  
 art A. by ...

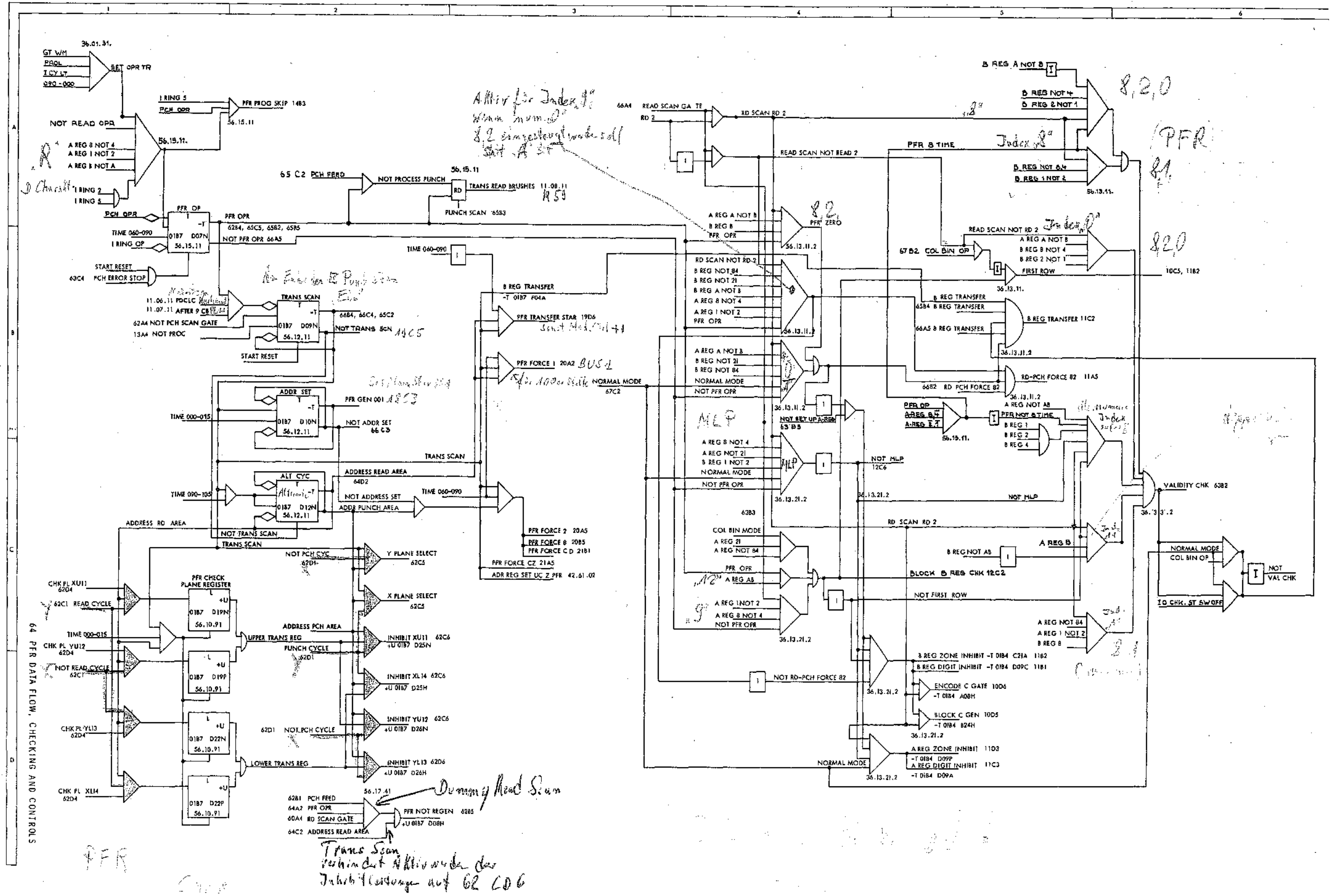
*Stacker Select*



*Handwritten notes:*  
 Stack Latch  
 Stack Output  
 10 ms ...

63 READER PUNCH CHECK CKTS





64 PFR DATA FLOW, CHECKING AND CONTROLS

PFR

6205

*Dummy Head Sum*  
 Trans Scan  
 verhindert Aktivierung des  
 Jahrbuchausgabe auf 62 006

*Aktiv für Index 1  
 wenn num. 0  
 8.2 eingestellter Mode soll  
 SAT A 3T*

*PFR FORCE 1 20A2 BUS 1  
 8.2. Adressenblock NORMAL MODE  
 67C2*

*PFR FORCE 2 20A5  
 PFR FORCE 8 20B5  
 PFR FORCE C D 21B1  
 PFR FORCE C Z 21A5  
 ADR REG SET UC Z PFR 42.61.02*

*8,2,0*

*Index 2*

*8,2,0*

*Index 3*

*Index 4*

*Index 5*

*Index 6*

*Index 7*

*Index 8*

*Index 9*

*Index 10*

*Index 11*

*Index 12*

*Index 13*

*Index 14*

*Index 15*

*Index 16*

*Index 17*

*Index 18*

*Index 19*

*Index 20*

*Index 21*

*Index 22*

*Index 23*

*Index 24*

*Index 25*

*Index 26*

*Index 27*

*Index 28*

*Index 29*

*Index 30*

*Index 31*

*Index 32*

*Index 33*

*Index 34*

*Index 35*

*Index 36*

*Index 37*

*Index 38*

*Index 39*

*Index 40*

*Index 41*

*Index 42*

*Index 43*

*Index 44*

*Index 45*

*Index 46*

*Index 47*

*Index 48*

*Index 49*

*Index 50*

*Index 51*

*Index 52*

*Index 53*

*Index 54*

*Index 55*

*Index 56*

*Index 57*

*Index 58*

*Index 59*

*Index 60*

*Index 61*

*Index 62*

*Index 63*

*Index 64*

*Index 65*

*Index 66*

*Index 67*

*Index 68*

*Index 69*

*Index 70*

*Index 71*

*Index 72*

*Index 73*

*Index 74*

*Index 75*

*Index 76*

*Index 77*

*Index 78*

*Index 79*

*Index 80*

*Index 81*

*Index 82*

*Index 83*

*Index 84*

*Index 85*

*Index 86*

*Index 87*

*Index 88*

*Index 89*

*Index 90*

*Index 91*

*Index 92*

*Index 93*

*Index 94*

*Index 95*

*Index 96*

*Index 97*

*Index 98*

*Index 99*

*Index 100*

*Index 101*

*Index 102*

*Index 103*

*Index 104*

*Index 105*

*Index 106*

*Index 107*

*Index 108*

*Index 109*

*Index 110*

*Index 111*

*Index 112*

*Index 113*

*Index 114*

*Index 115*

*Index 116*

*Index 117*

*Index 118*

*Index 119*

*Index 120*

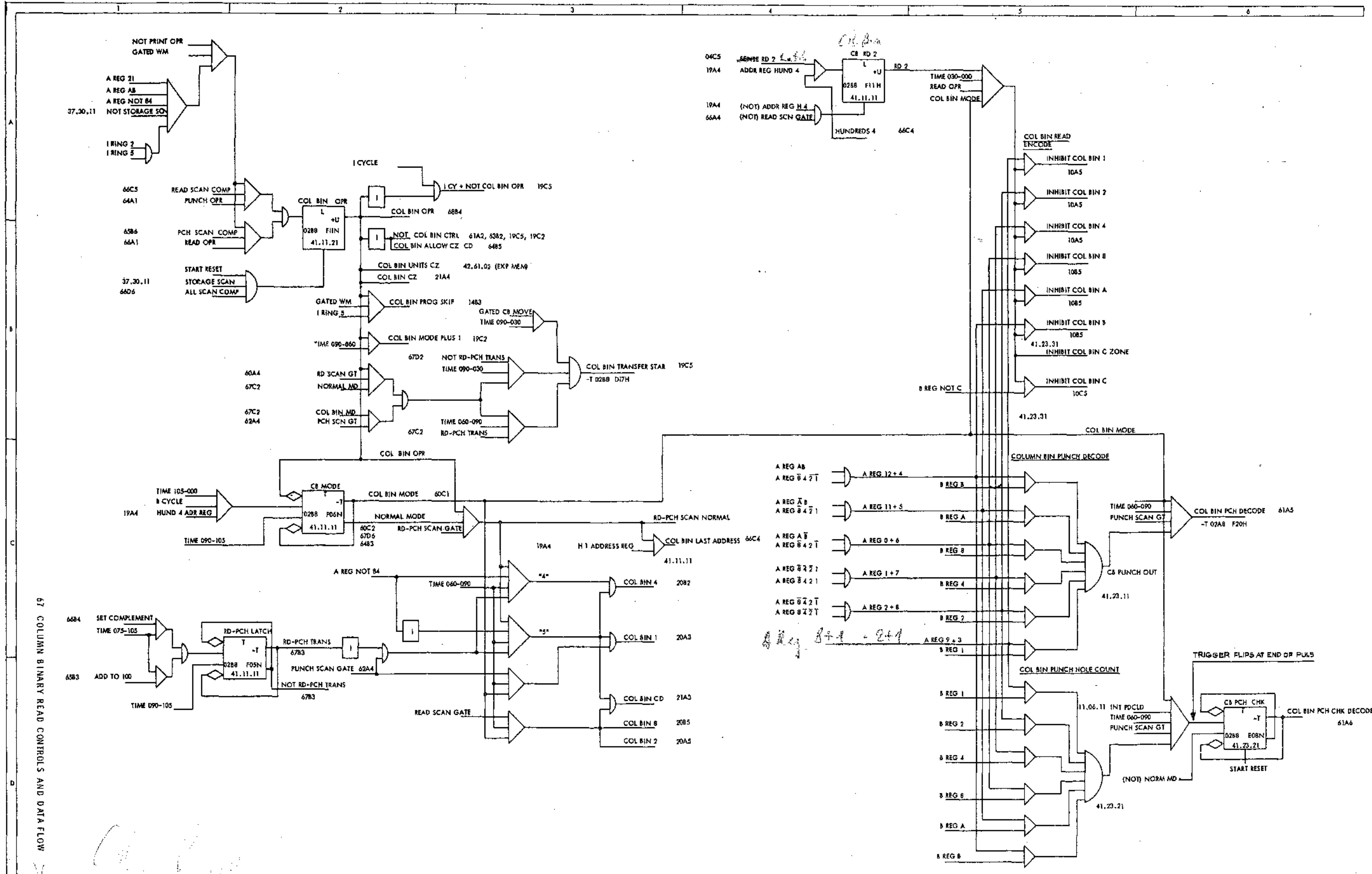
*Index 121*

*Index 122*



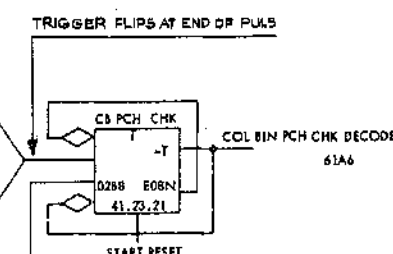
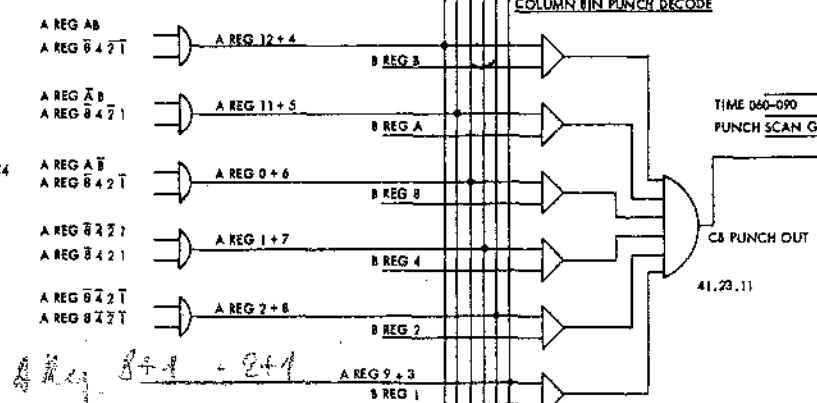
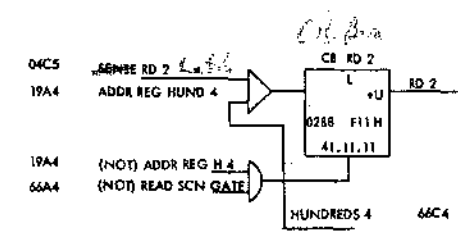




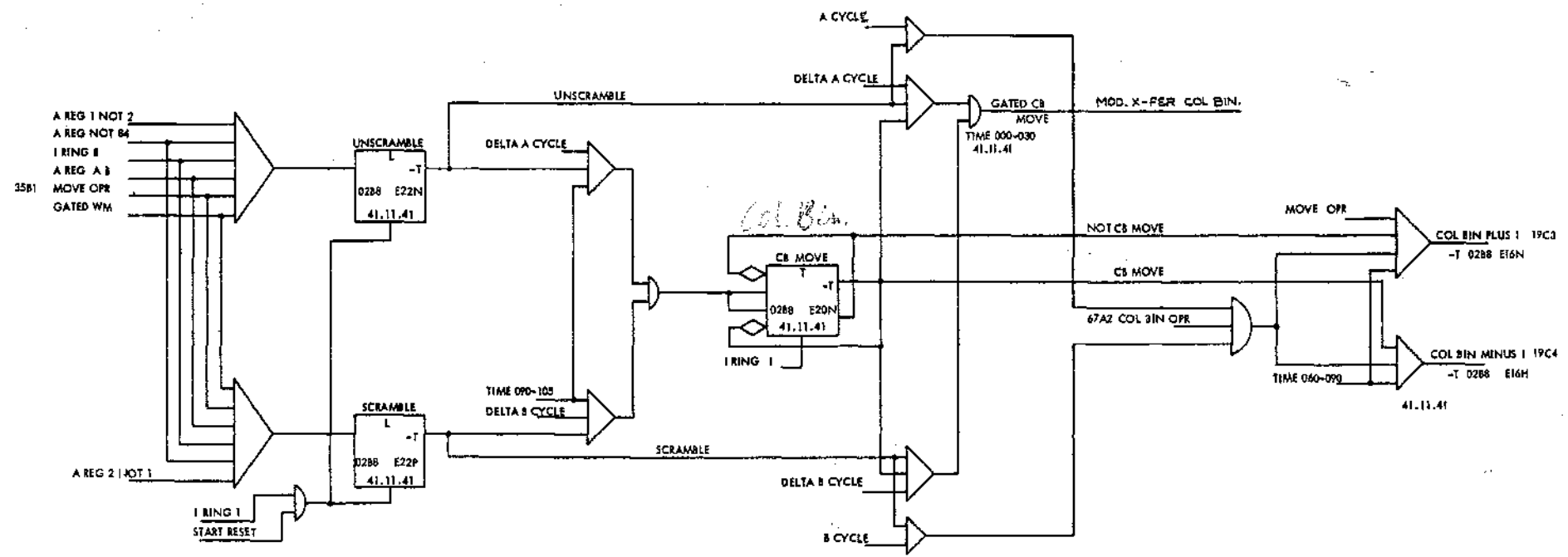


67 COLUMN BINARY READ CONTROLS AND DATA FLOW

*Handwritten notes:*  
 01.11.11  
 02.11.11

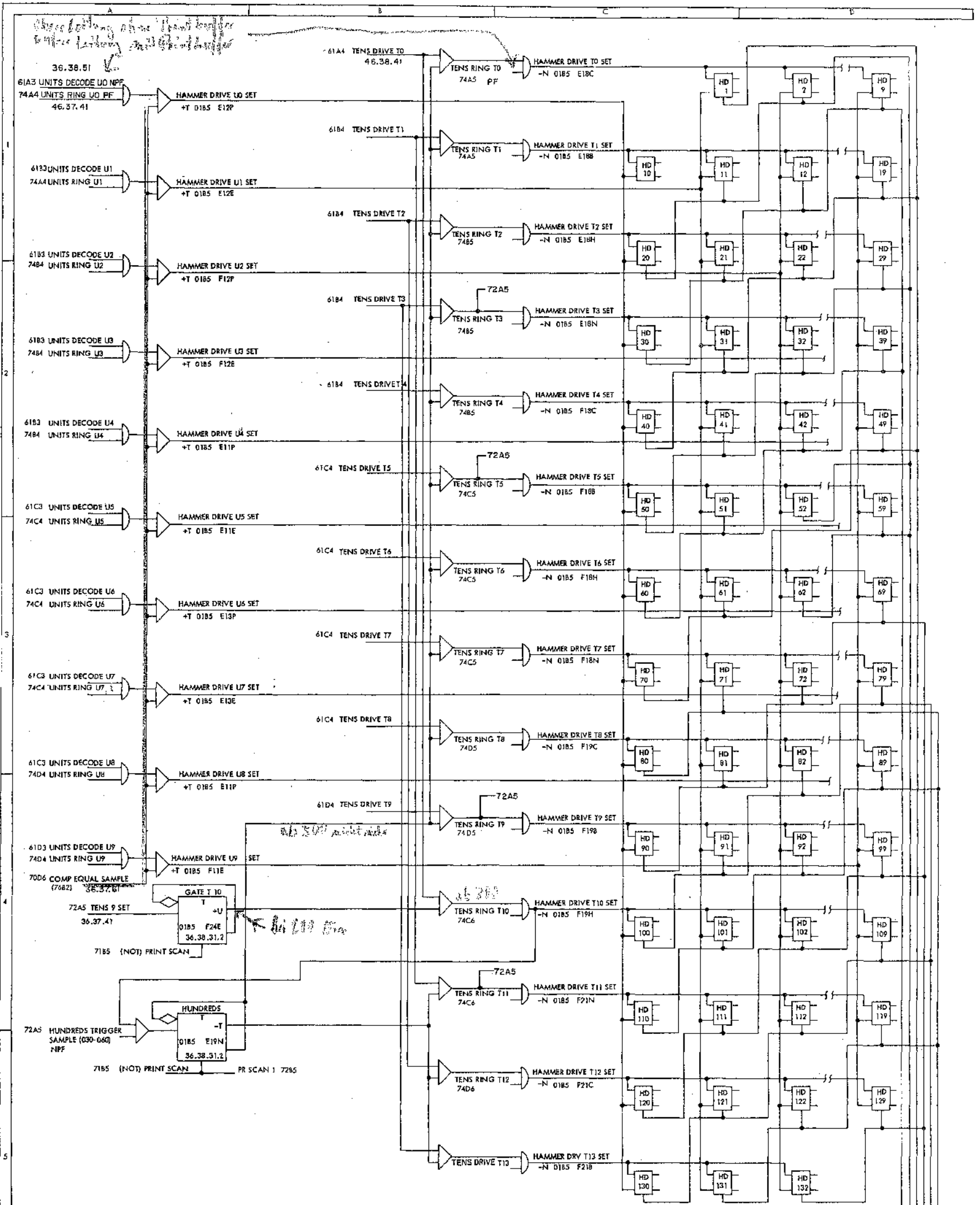


A  
B  
C  
D



68 MOVE COLUMN BINARY CONTROLS

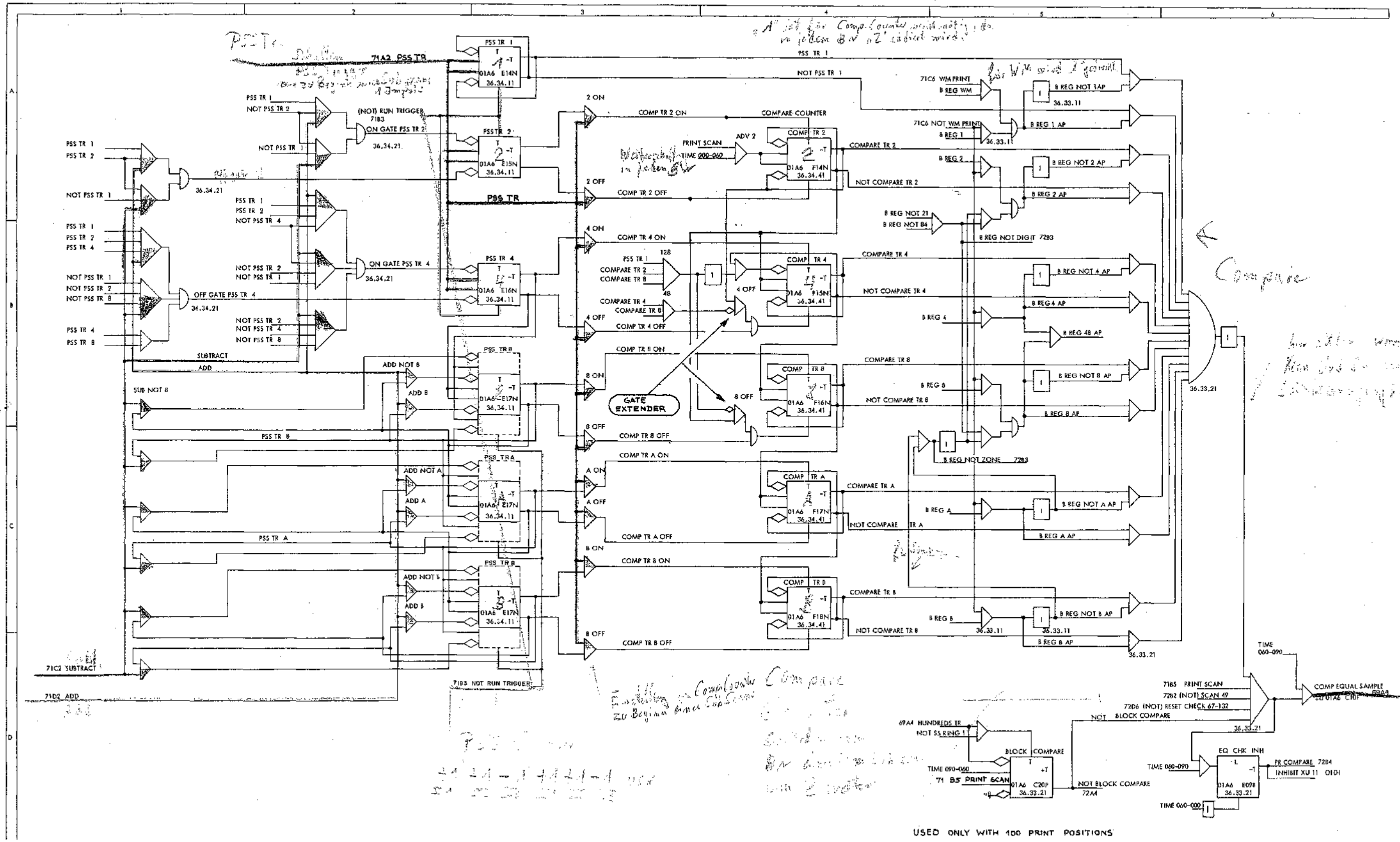
*Col. Bin.*



HAMMER FIRE TEST POINTS V 0185

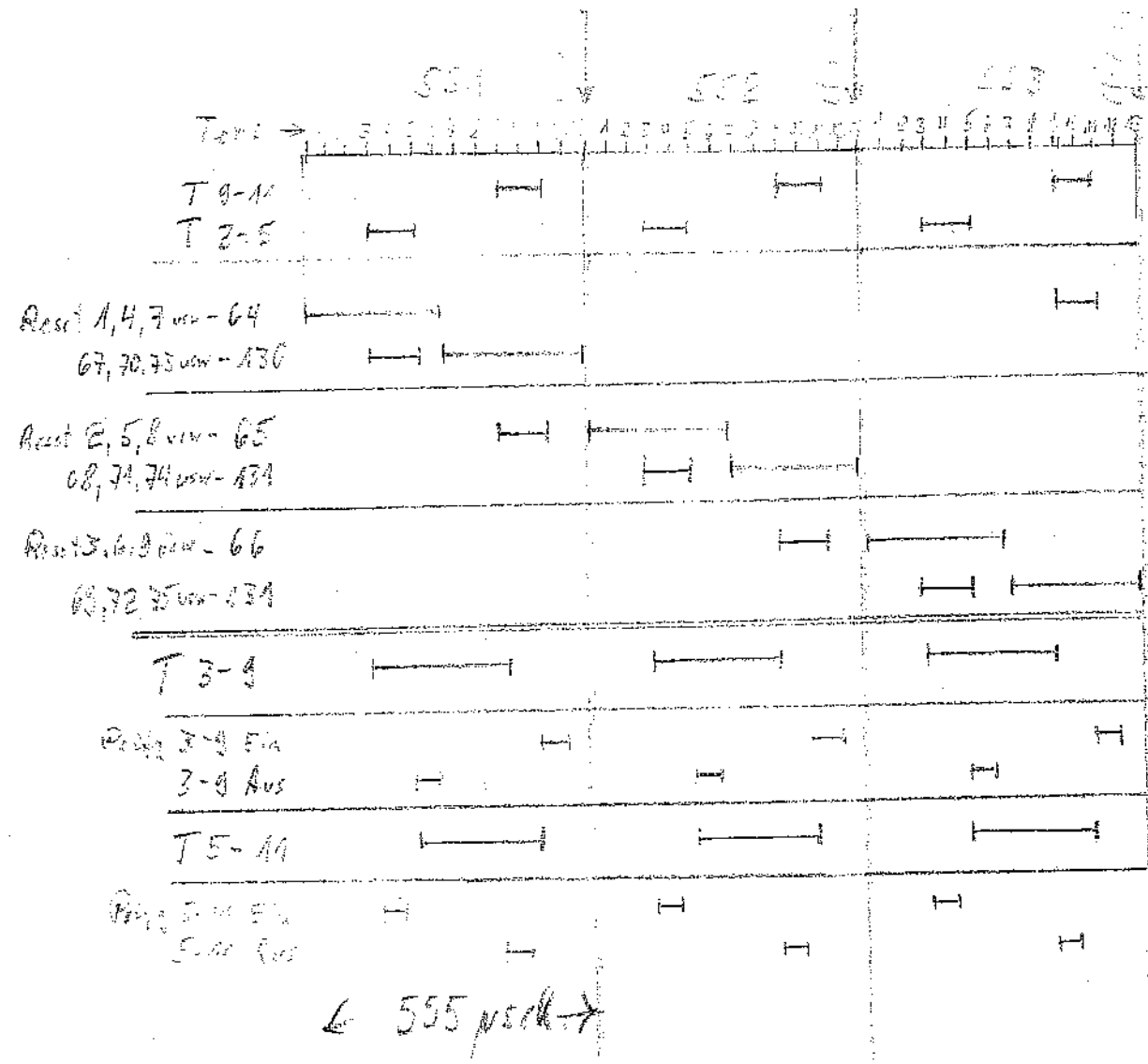
		UNITS								
		1	2	3	4	5	6	7	8	9
0		B05D	C05R	D05D	B05R	C05D	D05R	B06D	C06R	D06D
1	B06R	C06D	D06R	B07D	C07R	D07D	B07R	C07D	D07R	B08D
2	C08R	D08D	B08R	C08D	D08R	B09D	C09R	D09D	B09R	C09D
3	D09R	B10D	C10R	D10D	B10R	C10D	D10R	B11D	C11R	D11D
4	B11R	C11D	D11R	B12D	C12R	D12D	B12R	C12D	D12R	B13D
5	C13R	D13D	B13R	C13D	D13R	B14D	C14R	D14D	B14R	C14D
6	D14R	B15D	C15R	D15D	B15R	C15D	D15R	B16D	C16R	D16D
7	B16R	C16D	D16R	B17D	C17R	D17D	B17R	C17D	D17R	B18D
8	C18R	D18D	B18R	C18D	D18R	B19D	C19R	D19D	B19R	C19D
9	D19R	B20D	C20R	D20D	B20R	C20D	D20R	B21D	C21R	D21D
10	B21R	C21D	D21R	B22D	C22R	D22D	B22R	C22D	D22R	B23D
11	C23R	D23D	B23R	C23D	D23R	B24D	C24R	D24D	B24R	C24D
12	D24R	B25D	C25R	D25D	B25R	C25D	D25R	B26D	C26R	D26D
13	B26R	C26D	D26R							

HAMMER RESET 3-66  
HAMMER RESET 2-65  
HAMMER RESET 1-66  
72A6 HAMMER RESET 69-132  
HAMMER RESET 67-130  
HAMMER RESET 68-131

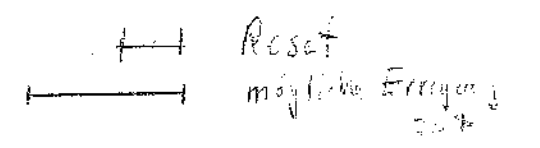






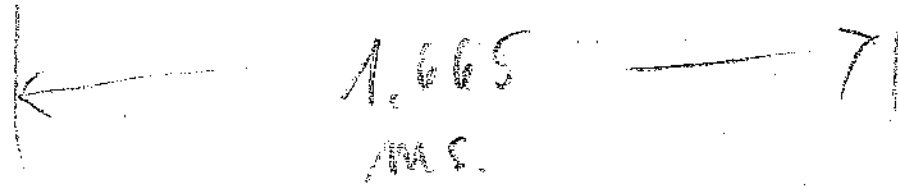


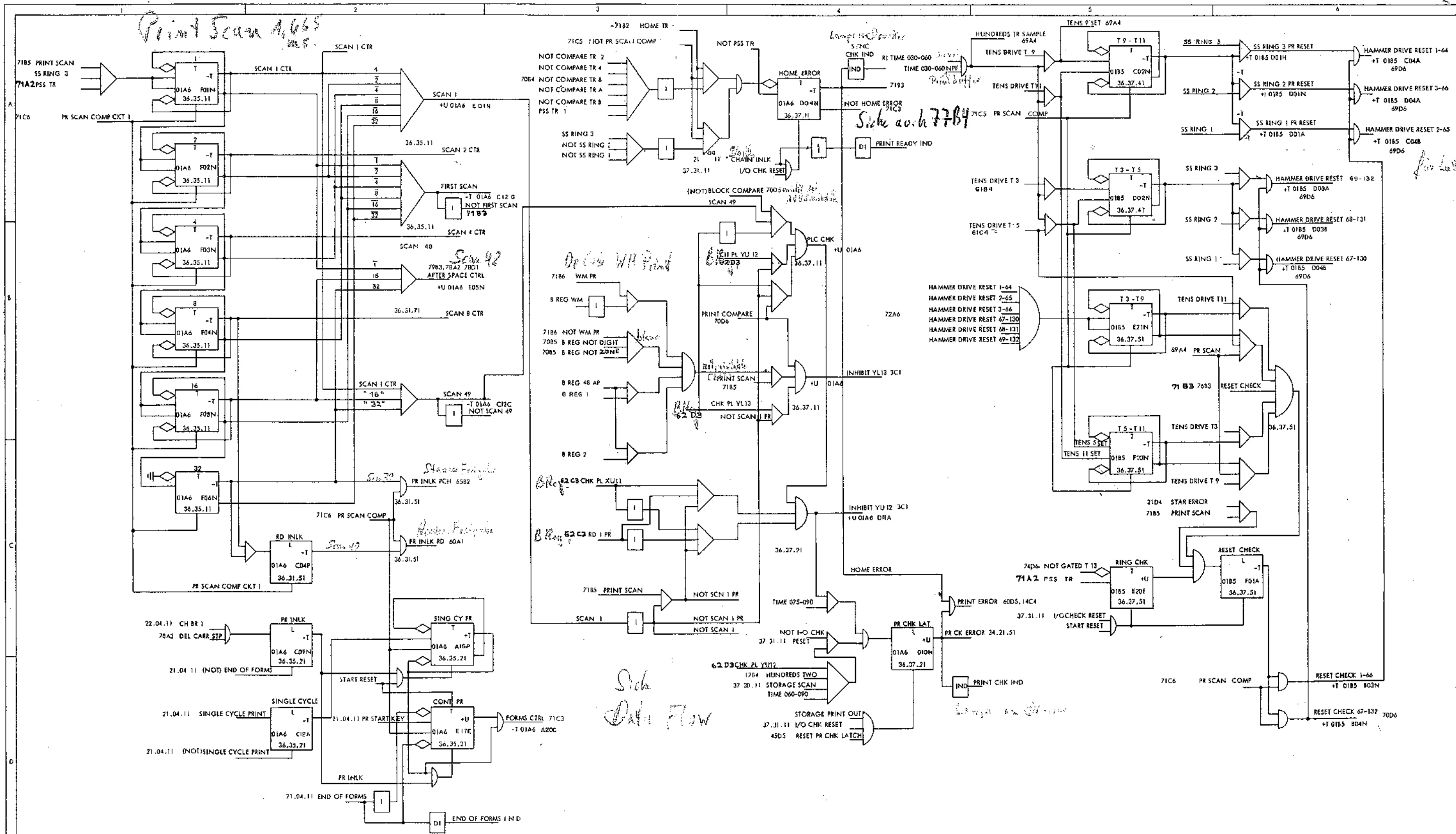
Reset A, B, C usw. Linie



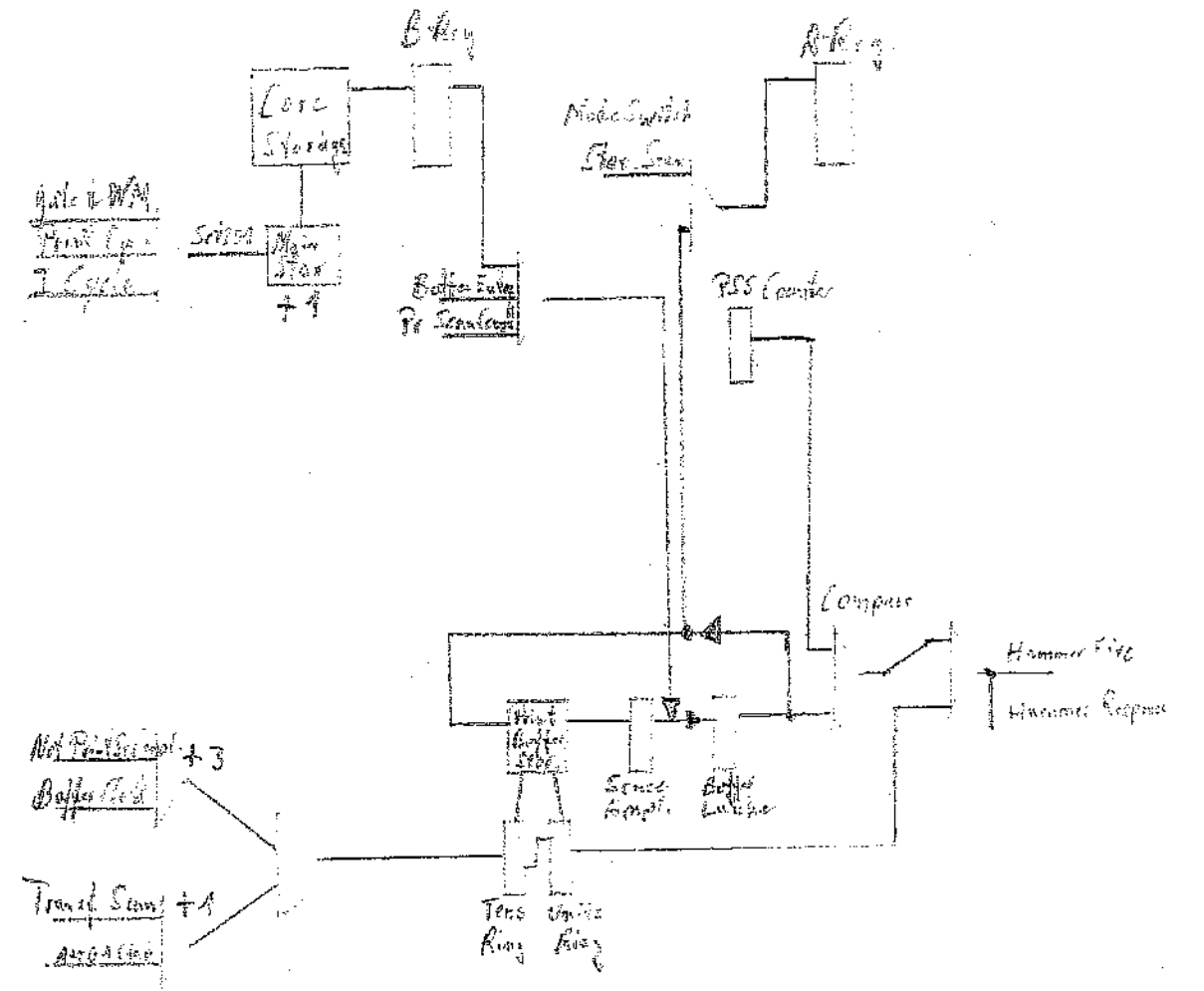
Check

← 555 nsck →



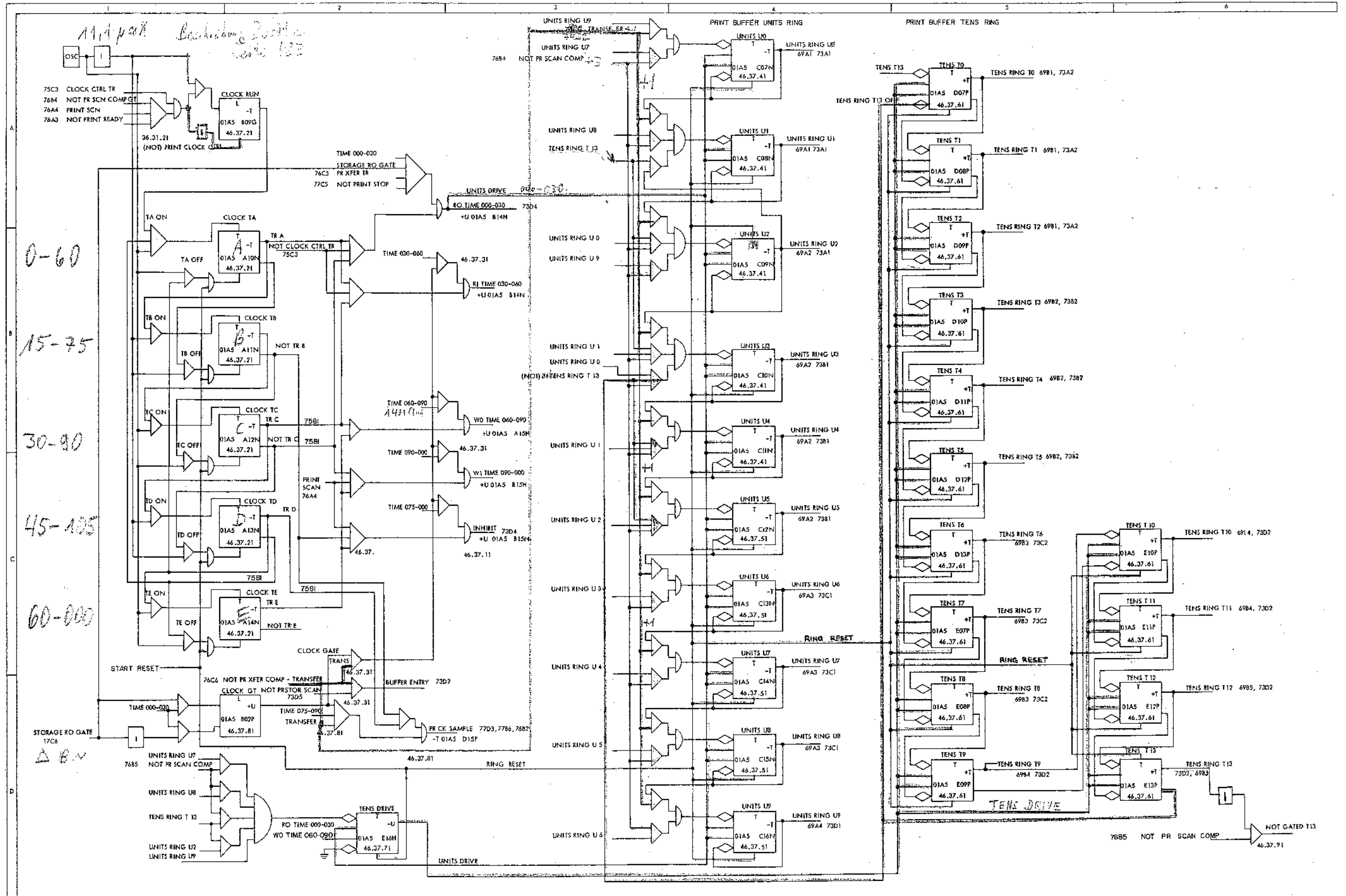


# Job Flow Print Eff





74. PRINT BUFFER RINGS AND CONTROLS



11.4 pack  
Backdoor 2001  
10/10/55

0-60

15-75

30-90

45-105

60-000

A.B.V.

- 75C3 CLOCK CTRL TR
- 76B4 NOT PR SCN COMP GT
- 76A4 PRINT SCN
- 76A3 NOT PRINT READY

CLOCK RUN  
01A5 B09G  
46.37.21

(MOD) PRINT CLOCK CTRL  
36.31.21

CLOCK TA  
01A5 A10N  
46.37.21

TA ON  
TA OFF

CLOCK TB  
01A5 A11N  
46.37.21

TB ON  
TB OFF

CLOCK TC  
01A5 A12N  
46.37.21

TC ON  
TC OFF

CLOCK TD  
01A5 A13N  
46.37.21

TD ON  
TD OFF

CLOCK TE  
01A5 A14N  
46.37.21

TE ON  
TE OFF

CLOCK GATE  
01A5 B02P  
46.37.81

START RESET

UNITS RING U7  
NOT PR SCAN COMP  
76B5

UNITS RING U8  
TENS RING T 13  
UNITS RING U2  
UNITS RING U9

TIME 000-030  
STORAGE RD GATE  
76C5 PR XFER TR  
77C5 NOT PRINT STOP

UNITS DRIVE  
RO TIME 000-030  
+U 01A5 B14H

TIME 030-060  
46.37.31

RI TIME 030-060  
+U 01A5 B14H

TIME 060-090  
46.37.31

WD TIME 060-090  
+U 01A5 A15H

TIME 090-090  
46.37.31

WI TIME 090-090  
+U 01A5 B15H

TIME 075-000  
46.37.11

INHIBIT 73D4  
+U 01A5 B15H

UNITS RING U7  
UNITS RING U8  
UNITS RING U9

UNITS DRIVE  
RO TIME 000-030  
WO TIME 060-090  
01A5 E16H  
46.37.71

PRINT BUFFER UNITS RING

UNITS RING U0 to U9

UNITS U0 to U9  
01A5 C07N to C16N  
46.37.41 to 46.37.51

PRINT BUFFER TENS RING

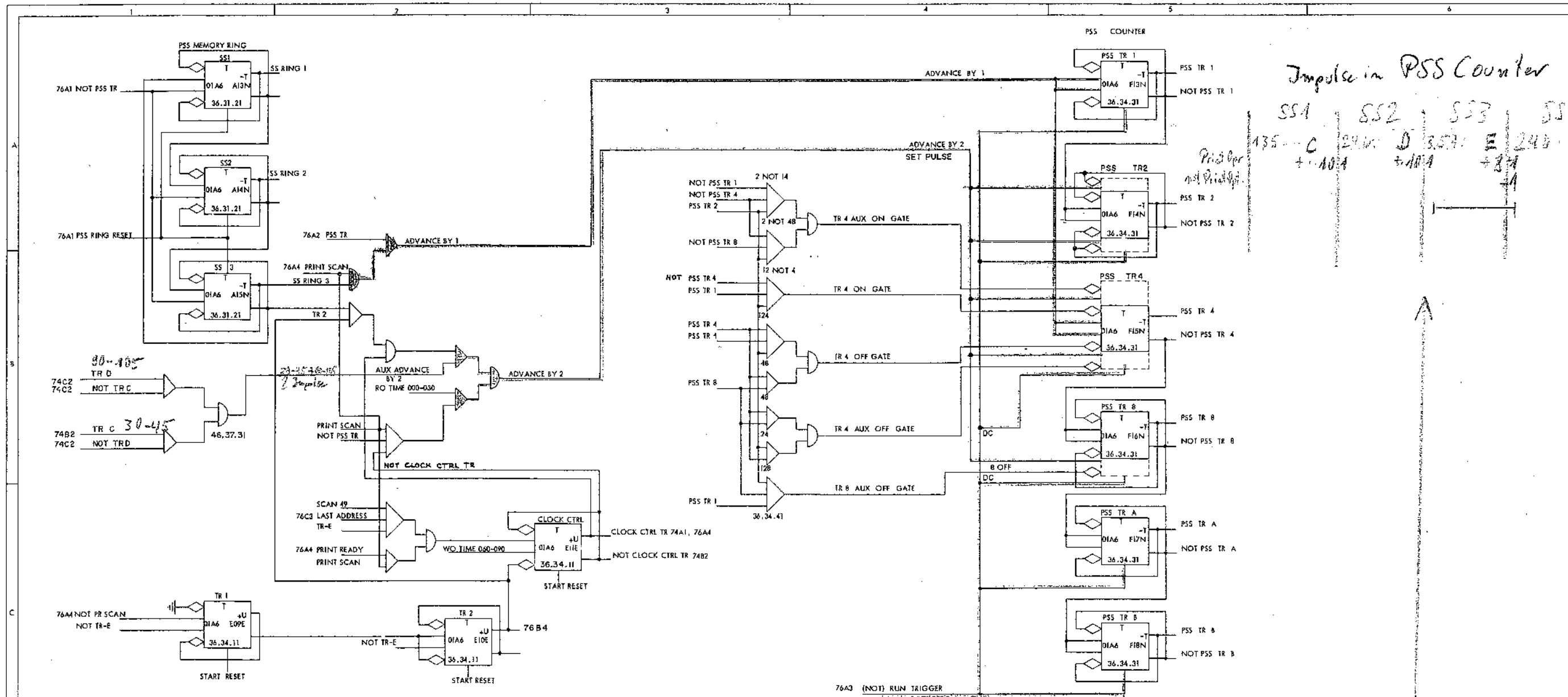
TENS RING T0 to T13

TENS T0 to T13  
01A5 D07P to E13P  
46.37.61 to 46.37.61

76B5 NOT PR SCAN COMP  
46.37.91

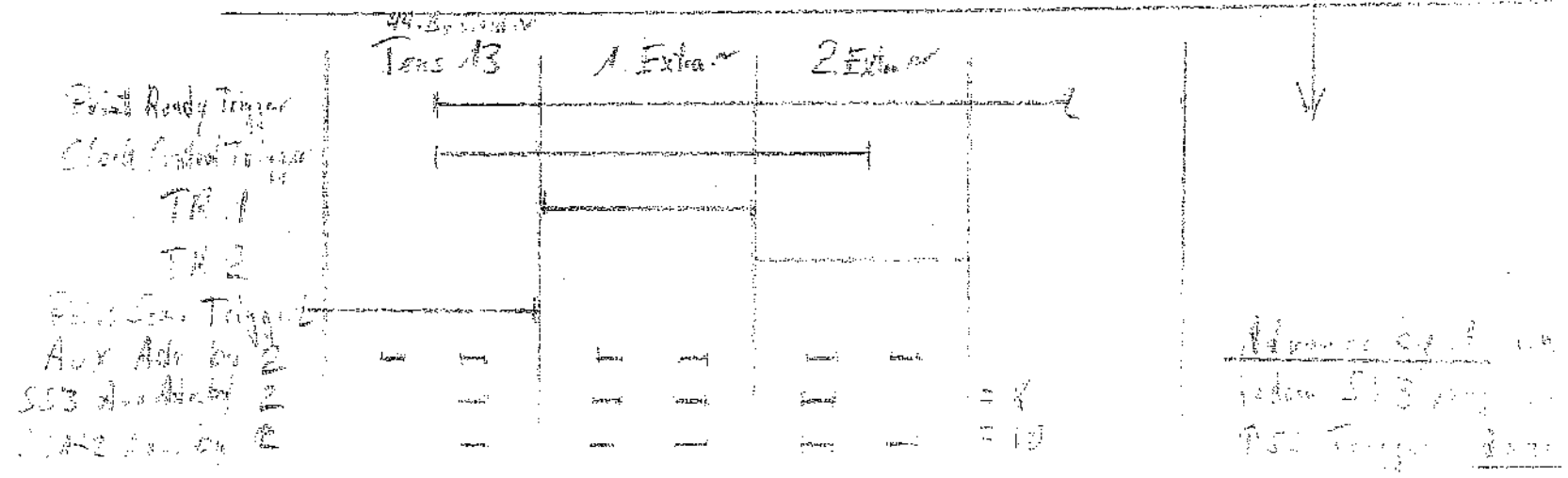
NOT GATED T13

75. PRINT BUFFER COUNTER



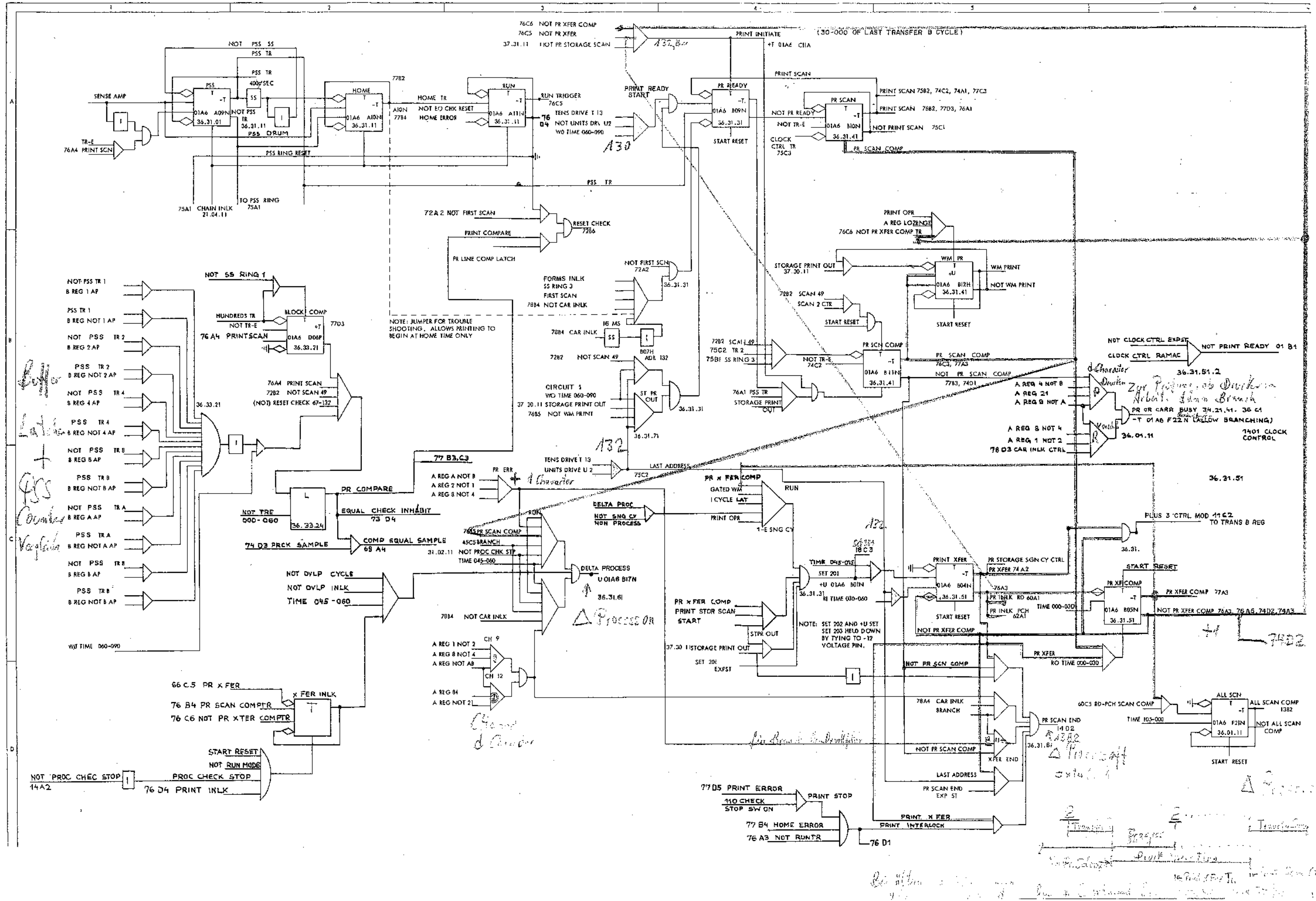
Impulse in PSS Counter

SS1	SS2	SS3	SS4
135-C	240-D	357-E	240-D
+103A	+103A	+3A	+103A



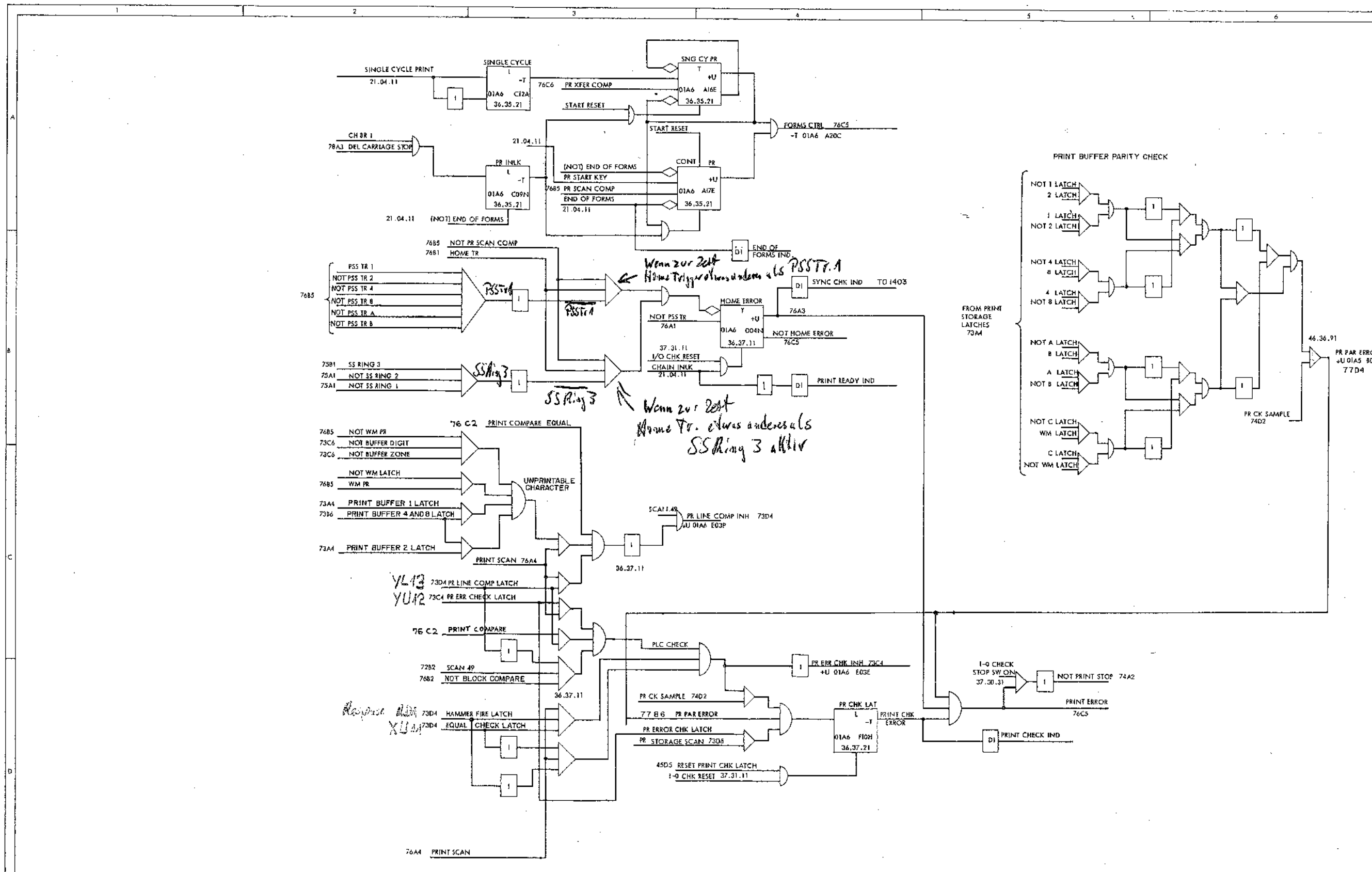


76. PRINT BUFFER CONTROLS



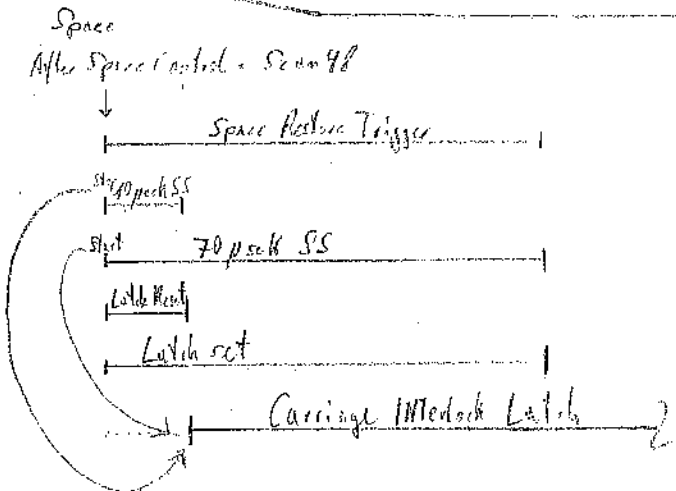
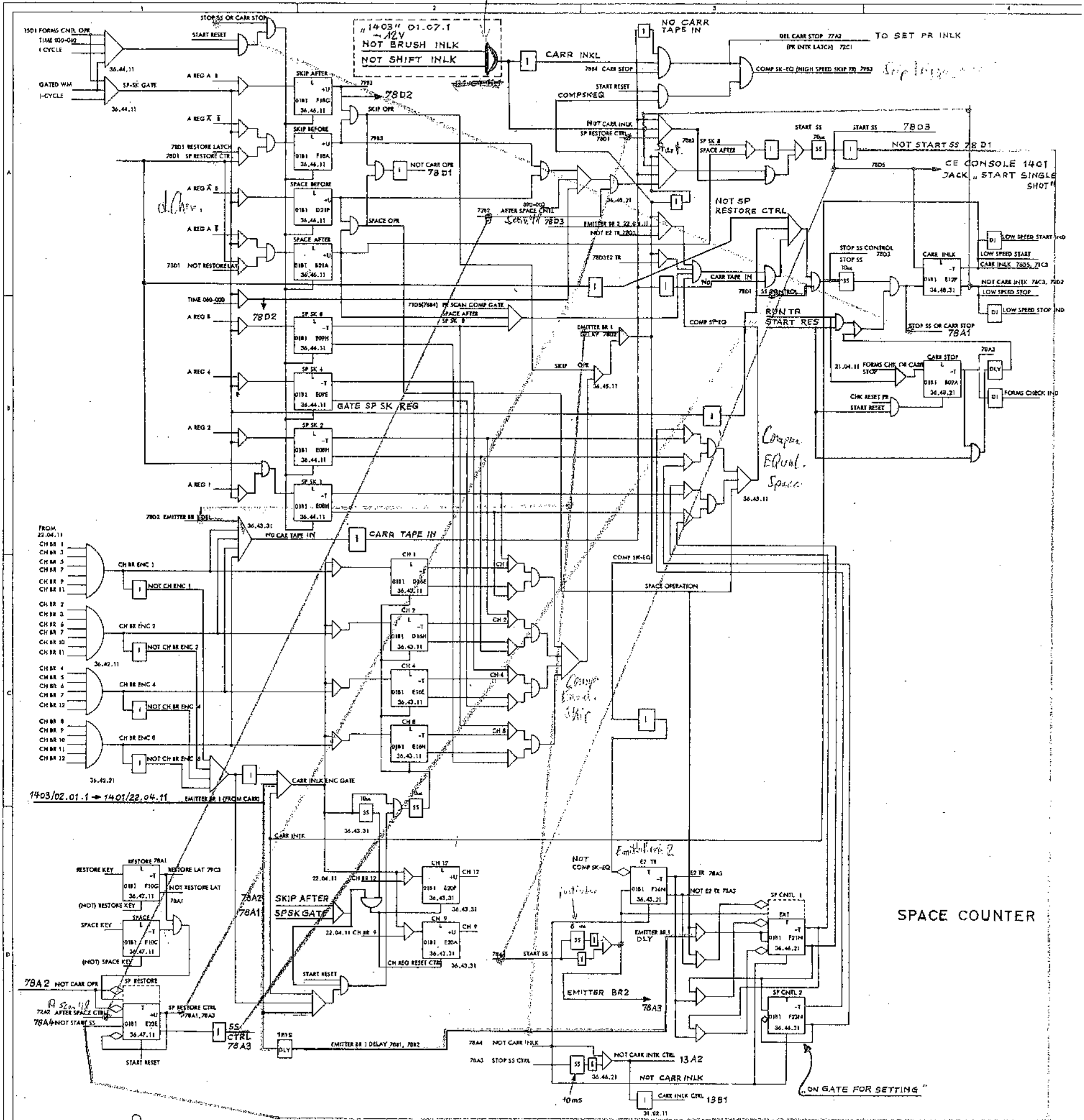


77. PRINT BUFFER CONTROLS

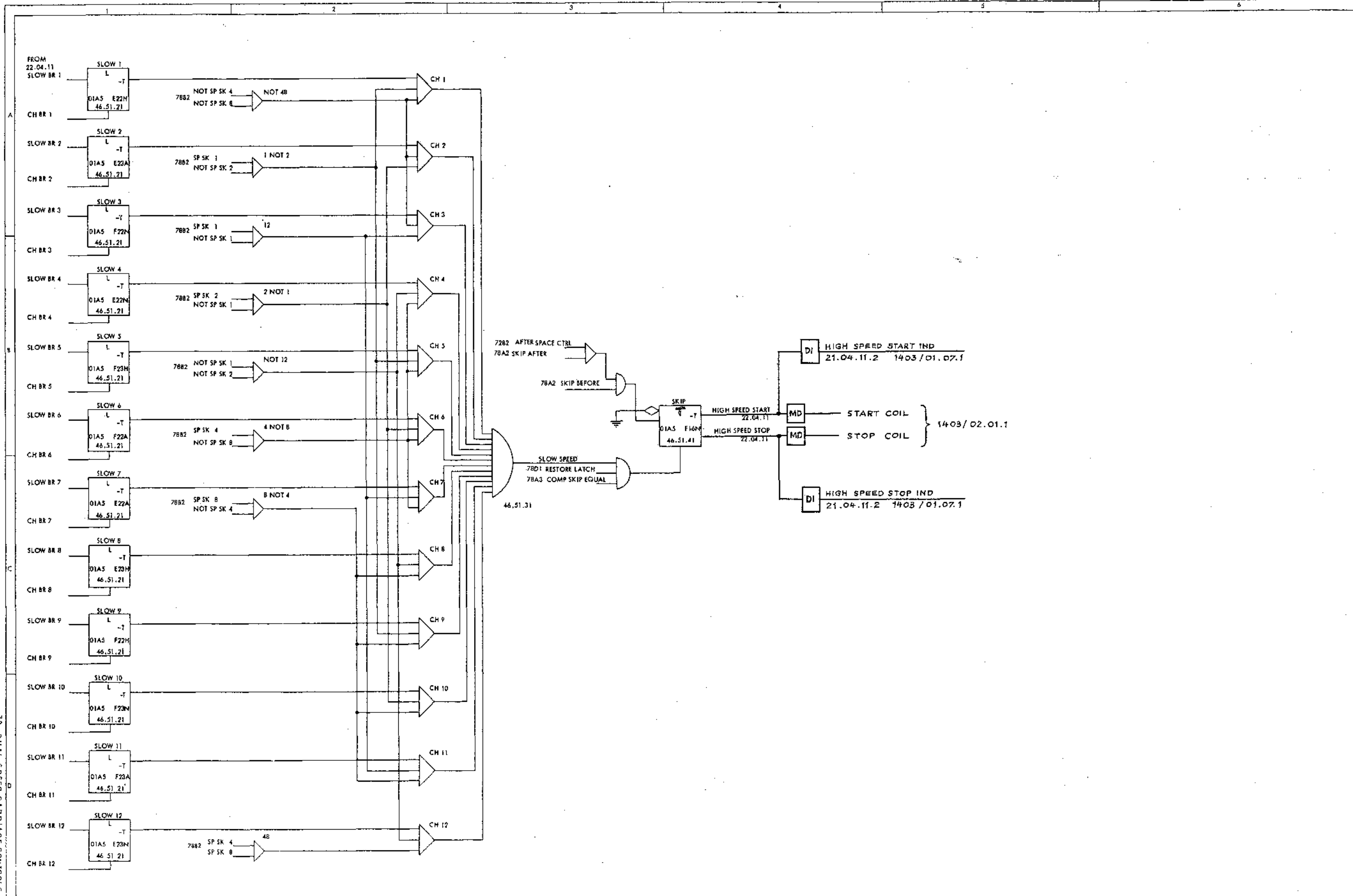




*Konkulle in Order*



78 CARRIAGE CONTROLS



FROM 22.04.11 SLOW BR 1

CH BR 1

SLOW BR 2

CH BR 2

SLOW BR 3

CH BR 3

SLOW BR 4

CH BR 4

SLOW BR 5

CH BR 5

SLOW BR 6

CH BR 6

SLOW BR 7

CH BR 7

SLOW BR 8

CH BR 8

SLOW BR 9

CH BR 9

SLOW BR 10

CH BR 10

SLOW BR 11

CH BR 11

SLOW BR 12

CH BR 12

SLOW 1  
L -T  
01A5 E22H  
46.51.21

SLOW 2  
L -T  
01A5 E22A  
46.51.21

SLOW 3  
L -T  
01A5 F22N  
46.51.21

SLOW 4  
L -T  
01A5 E22N  
46.51.21

SLOW 5  
L -T  
01A5 F23H  
46.51.21

SLOW 6  
L -T  
01A5 F22A  
46.51.21

SLOW 7  
L -T  
01A5 E22A  
46.51.21

SLOW 8  
L -T  
01A5 E23H  
46.51.21

SLOW 9  
L -T  
01A5 F22H  
46.51.21

SLOW 10  
L -T  
01A5 F23N  
46.51.21

SLOW 11  
L -T  
01A5 F23A  
46.51.21

SLOW 12  
L -T  
01A5 E23N  
46.51.21

78B2 NOT SP SK 4  
NOT SP SK 8

78B2 SP SK 1  
NOT SP SK 2

78B2 SP SK 1  
NOT SP SK 1

78B2 SP SK 2  
NOT SP SK 1

78B2 NOT SP SK 1  
NOT SP SK 2

78B2 SP SK 4  
NOT SP SK 8

78B2 SP SK 8  
NOT SP SK 4

78B2 SP SK 4  
SP SK 8

NOT 4B

1 NOT 2

12

2 NOT 1

NOT 12

4 NOT 8

8 NOT 4

4B

CH 1

CH 2

CH 3

CH 4

CH 5

CH 6

CH 7

CH 8

CH 9

CH 10

CH 11

CH 12

72B2 AFTER SPACE CTRL  
78A2 SKIP AFTER

78A2 SKIP BEFORE

SLOW SPEED  
78D1 RESTORE LATCH  
78A3 COMP SKIP EQUAL

46.51.31

SKIP  
01A5 F16N  
46.51.41

HIGH SPEED START  
22.04.11

HIGH SPEED STOP  
22.04.11

DI HIGH SPEED START IND  
21.04.11.2 1403/01.07.1

MD

MD

DI HIGH SPEED STOP IND  
21.04.11.2 1403/01.07.1

START COIL

STOP COIL

1403/02.01.1

RF 2.3.1180

RF 2.3.1180 RF 2.3.1180

RF 2.3.1180 RF 2.3.1180

RF 2.3.1180 RF 2.3.1180

RF 2.3.1180 RF 2.3.1180

RF 2.3.1180 RF 2.3.1180

RF 2.3.1180 RF 2.3.1180

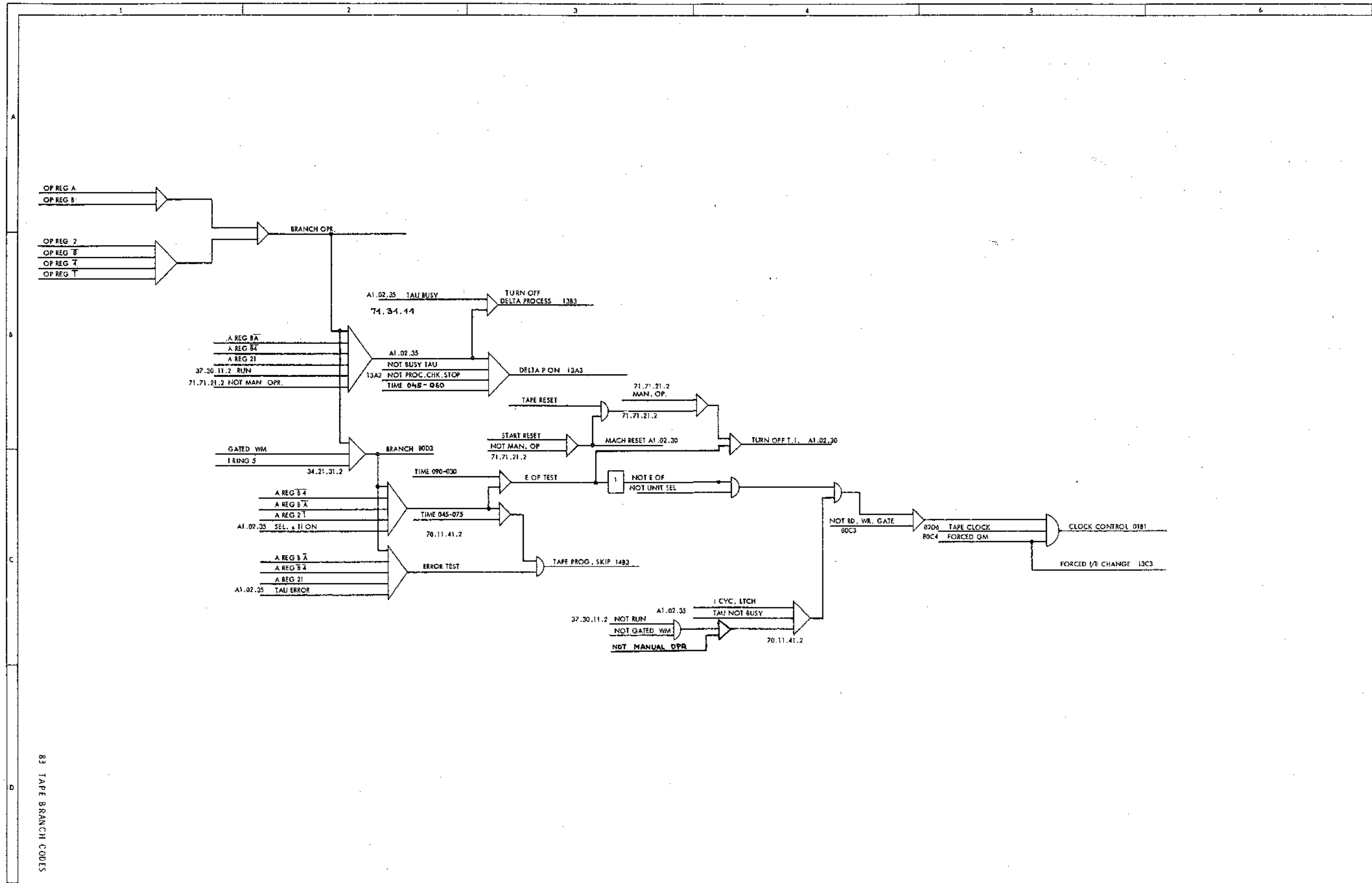
RF 2.3.1180 RF 2.3.1180



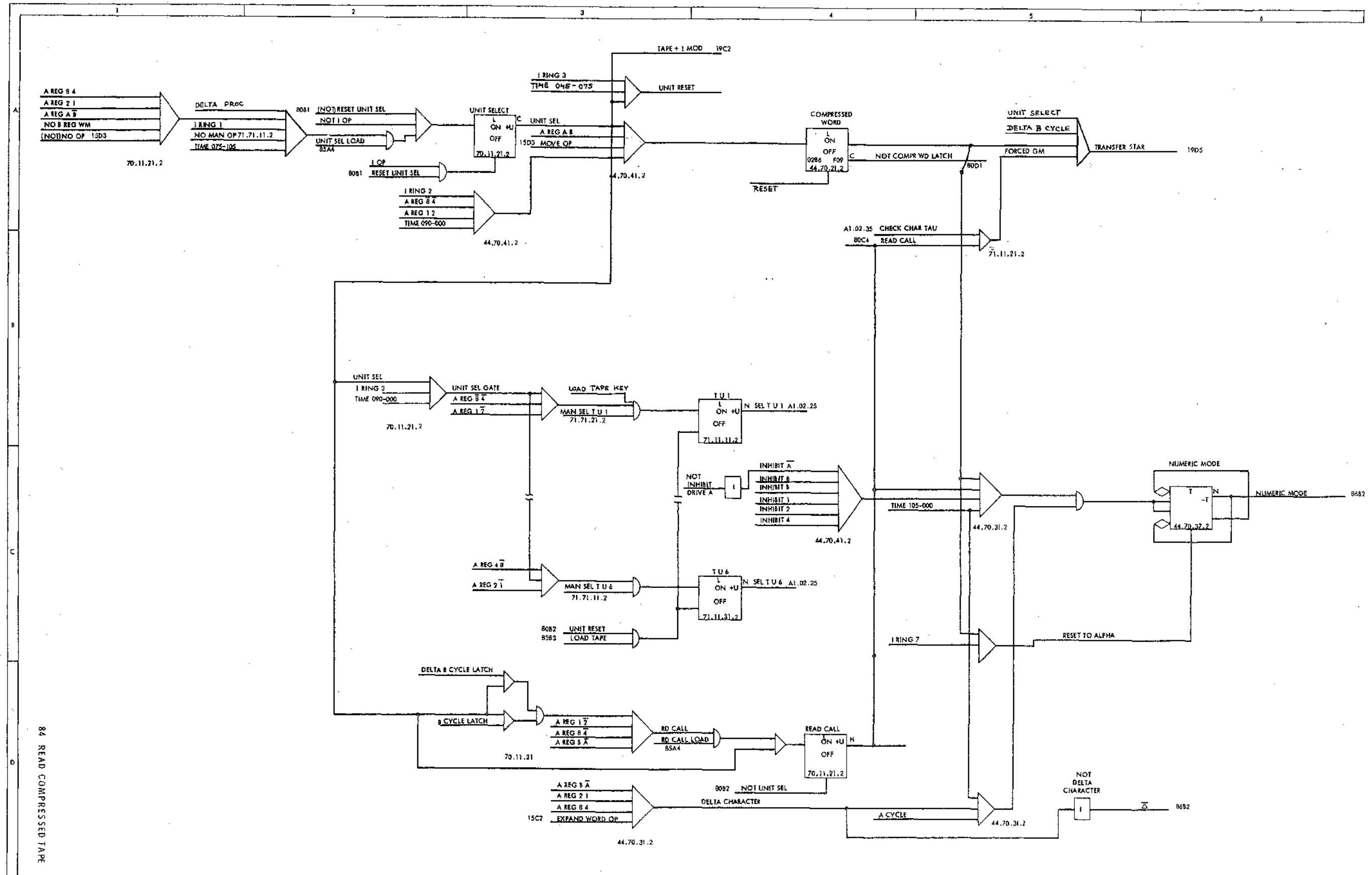




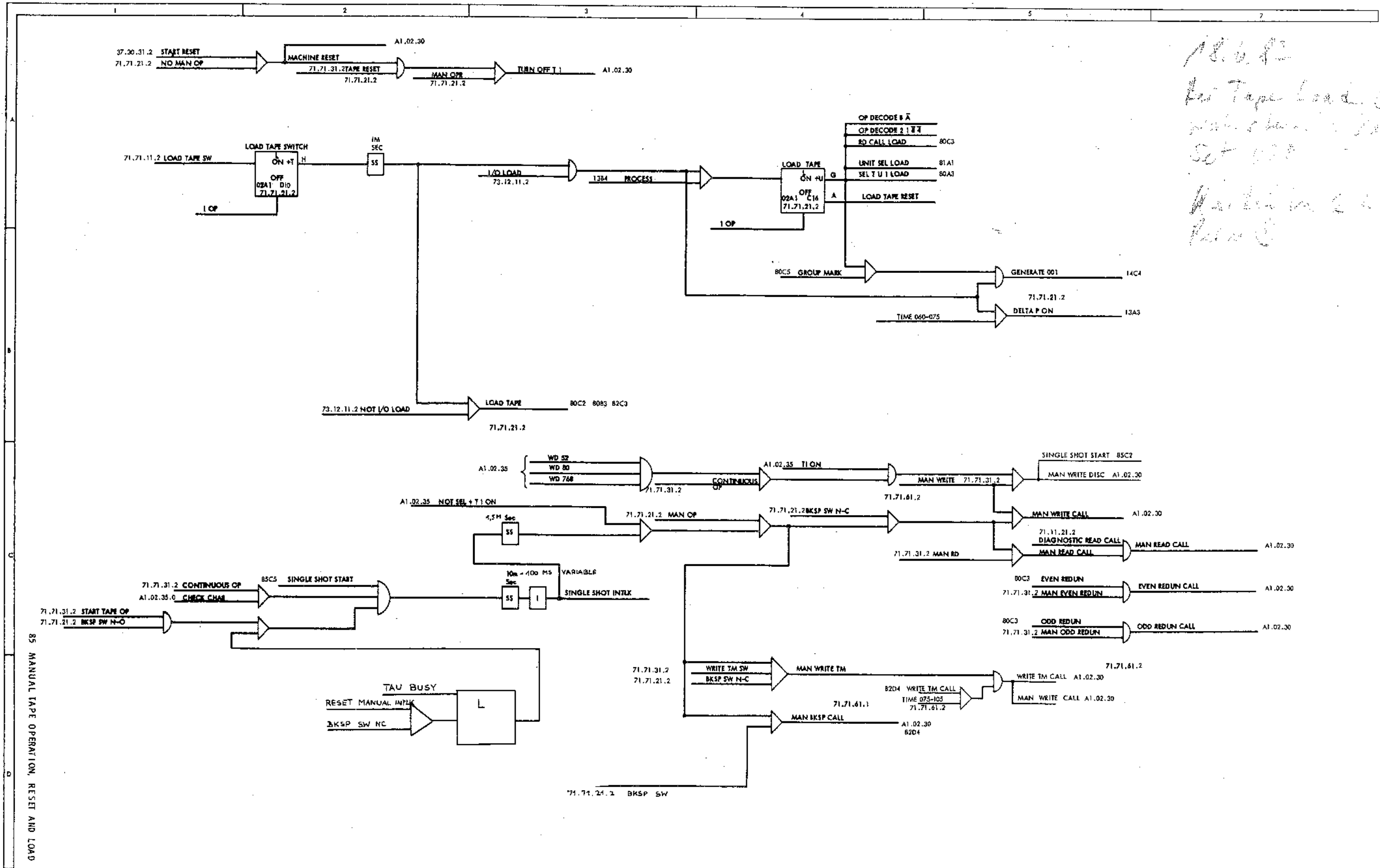




83 TAPE BRANCH CODES

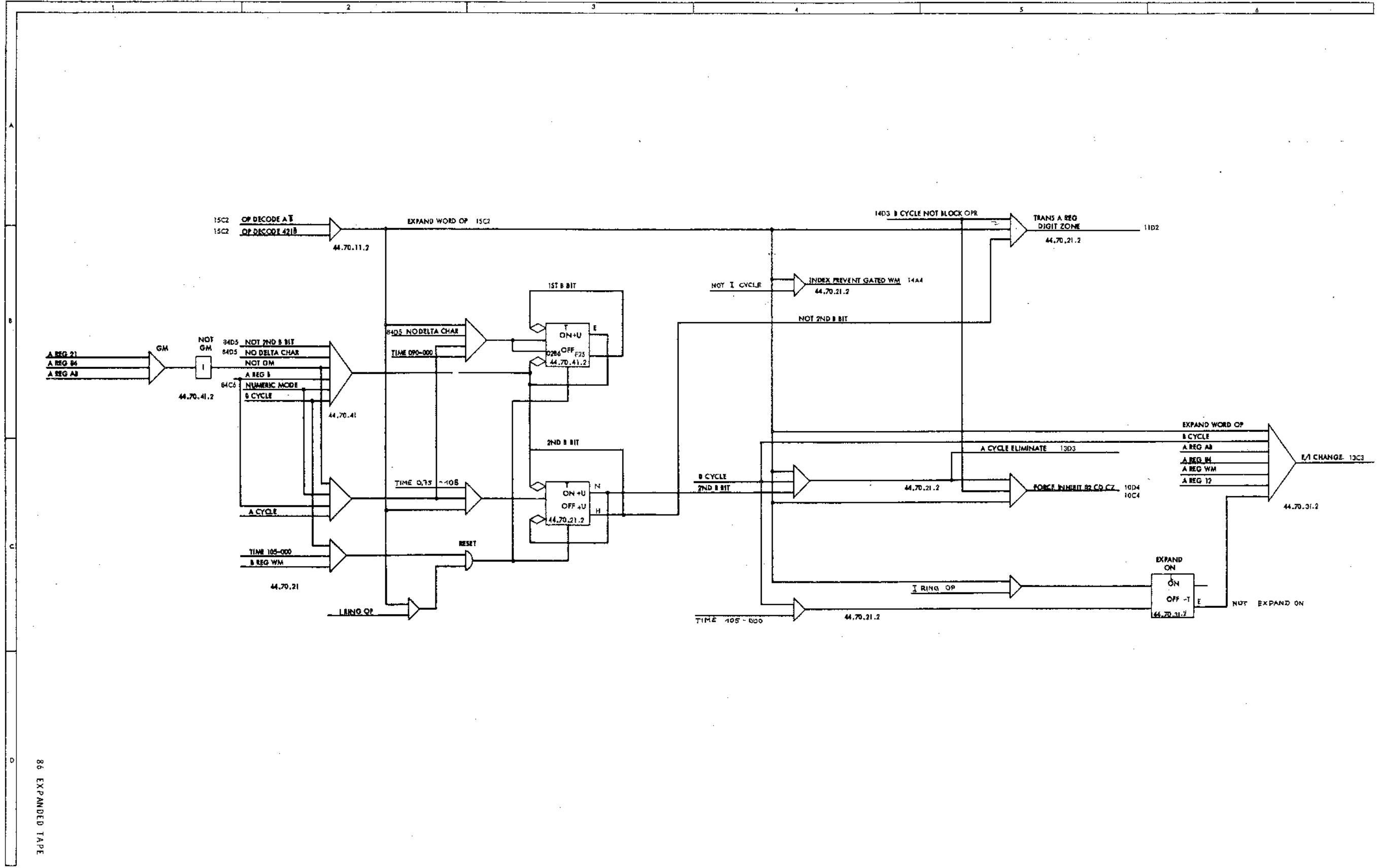


84 READ COMPRESSED TAPE



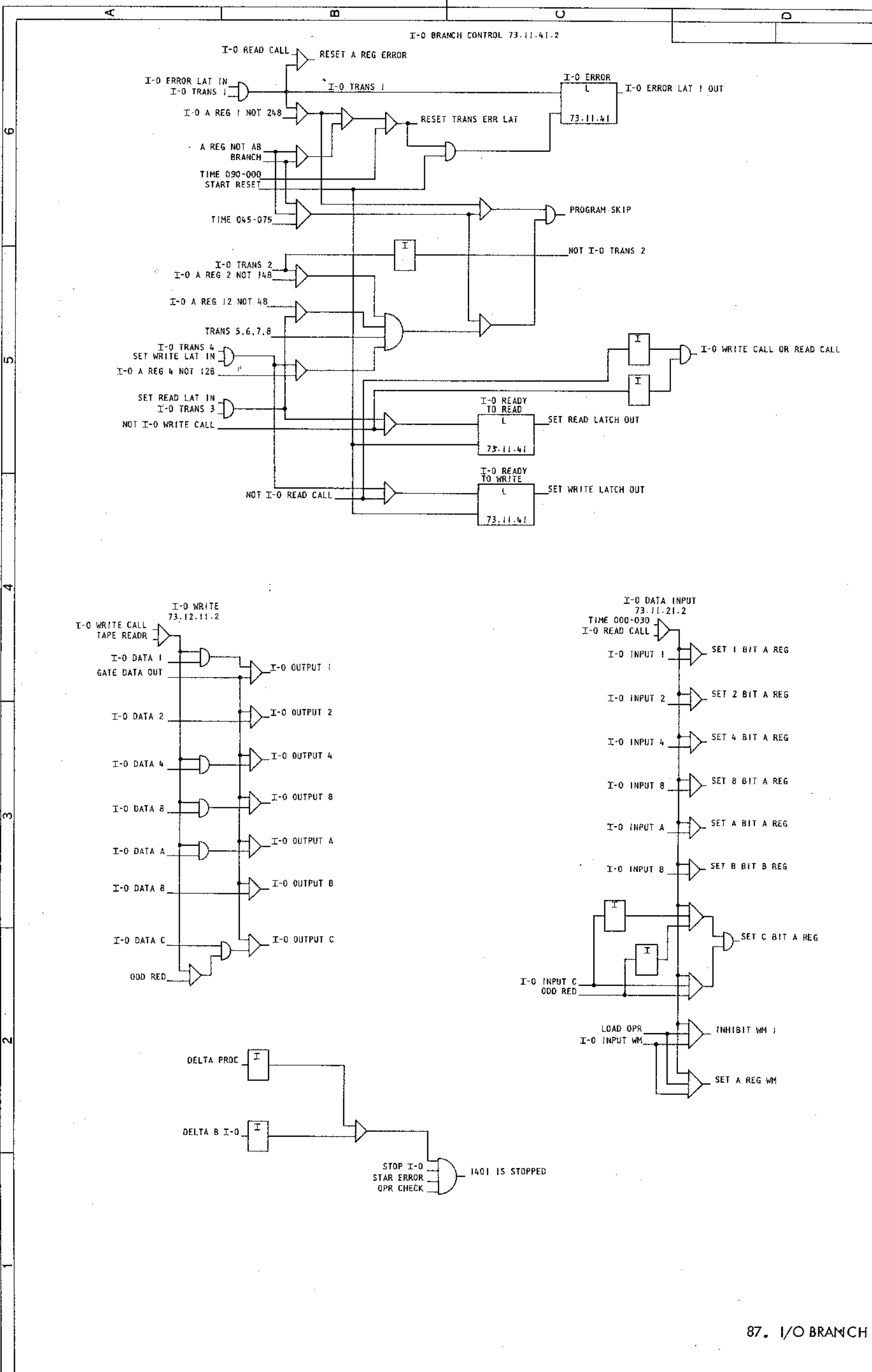
18.6.82  
 for Tape Load (Circuit)  
 with 80C3, 80A3, 80A1  
 Set 000  
 Worked in 2  
 Run 3

85 MANUAL TAPE OPERATION, RESET AND LOAD



86 EXPANDED TAPE





I-O BRANCH CONTROL 73.11.41.2

6

5

4

3

2

1

