

REFERENCE PAGE  
INPUTS FROM TAPE UNIT (729)

TU 66 10.1	729 01.01.1	TU LOGIC	TAPE DIRECTOR
TU 66 10.1	01.01.1	89.60.51.1 +P HIGH DENSITY 729	47
TU 66 10.1	01.01.1	89.60.01.1 +P SEL 6 READY MOD 3 729	31
TU 66 10.1	01.01.1	89.60.01.1 +P SEL 6 READY MOD 4 729	21
TU 66 10.1	01.06.1	89.60.02.1 +P SEL 6 LP 729	37
TU 66 10.1	01.02.1	89.60.10.1 +P SEL 6 RBY WR 729	35
TU 66 10.1	01.02.1	89.60.10.1 +P SEL RBY +RD 729	33
TU 66 10.1	01.06.1	89.60.51.1 +P SEL +NOT LP 729	29
TU 66 10.1	01.09.1	89.60.51.1 -N SEL +REVIND 729	37
TU 66 10.1	01.05.1	89.60.51.1 -N SEL +TI ON 729	23
TU 66 10.1	01.05.1	89.60.51.1 -N SEL +TI OFF 729	25
TU 67 00.0	01.03.1	89.40.10.1 BVPP READ BUS 1 BIT 729	82
TU 67 00.0	01.03.1	89.40.10.1 BVPP READ BUS 2 BIT 729	86
TU 67 00.0	01.03.1	89.40.10.1 BVPP READ BUS 4 BIT 729	93
TU 67 00.0	01.03.1	89.40.10.1 BVPP READ BUS 8 BIT 729	95
TU 67 00.0	01.03.1	89.40.10.1 BVPP READ BUS A BIT 729	102
TU 67 00.0	01.03.1	89.40.10.1 BVPP READ BUS B BIT 729	104
TU 67 00.0	01.03.1	89.40.10.1 BVPP READ BUS C BIT 729	113
TU 68 10.1	01.04.1	89.50.50.1 -N WRITE ECHO 729	132
TU 68 10.1	01.01.1	89.60.01.1 +P MOD 5 OR 6	115

A  
B  
C  
D  
E  
F  
G  
H  
I

NOTE: INPUTS ALSO APPLY FOR MOD 3 AND 4 TAPE UNITS

*B-75*  
*write same to chart*

*OKC*  
*BEH*

DATE 17.4.62  
TA 1282

DATE 7.2.63  
TA 1715A

DATE 4-5-61 EC NO 110432F

DATE 1-26-62 EC NO 113835

DATE 11-2-62 EC NO 116726

1715A  
723456

INPUTS FROM TAPE DRIVE (7330)

7330 LOGIC	TAU LOGIC		TAPE CONNECTOR
73.00.30.0	89.40.10.1	BVVP READ BUS 1 BIT 7330	82
73.00.30.0	89.40.10.1	BVVP READ BUS 2 BIT 7330	84
73.00.30.0	89.40.10.1	BVVP READ BUS 4 BIT 7330	93
73.00.30.0	89.40.10.1	BVVP READ BUS 8 BIT 7330	95
73.00.30.0	89.40.10.1	BVVP READ BUS A BIT 7330	102
73.00.30.0	89.40.10.1	BVVP READ BUS B BIT 7330	104
73.00.30.0	89.40.12.1	BVVP READ BUS C BIT 7330	113
73.00.30.0	89.50.50.1	+M ECHO PULSE 7330	192
73.00.30.0	89.60.01.1	+M SEL +RDY HI 7330	21
73.00.30.0	89.60.01.1	+M SEL +RDY LO 7330	31
73.00.30.0	89.60.51.1	+M SEL +TI ON 7330	23
73.00.30.0	89.60.02.1	+M SEL +LP 7330	27
73.00.30.0	89.60.91.1	+M SEL RDY BKWD 7330	29
73.00.30.0	89.60.10.1	+M SEL +RDY RD 7330	35
73.00.30.0	89.60.14.1	+M SEL +RDY WR 7330	35
73.00.30.0	89.60.51.1	+M SEL +REWIND 7330	37

A

B

C

D

F

G

H

723457

723458

REFERENCE PAGE  
OUTPUTS TO TAPE UNIT (729)

B9.02.25.0

TAG DATE

B17.4.62  
TA 1282

C 12.11.63  
TA 604A

A

TAU LOGIC	729 II AND IX	TAPE CONNECTOR	729 A2 AND A4
B9.60.11.1 +P GO 729	01.07.1	5	TU.08.00.1
B9.60.20.1 +P SET READ STATUS 729	01.02.1	13	TU.08.00.1
B9.60.30.1 -N SET WR STATUS 729	01.02.1	11	TU.08.00.1
B9.60.40.1 -N BACKWARD 729	01.07.1	7	TU.08.00.1
B9.60.50.1 -N REWIND 729	01.09.1	9	TU.08.00.1
B9.60.50.1 +P REWIND UNLOAD 729	01.09.1	39	TU.08.00.1
B9.60.50.1 +P TURN OFF TI 729	01.05.1	3	TU.08.00.1
B9.60.50.1 -N TURN ON TI 729	01.05.1	1	TU.08.00.1
B9.60.50.1 -N WRITE PULSE 729	01.04.1	196	TU.08.00.1
B9.60.31.1 -N WRITE CK CH 729	01.04.1	194	TU.08.00.1
B9.40.50.1 -N WRITE BUS 1 BIT 729	01.03.1	172	TU.08.00.1
B9.40.50.1 -N WRITE BUS 2 BIT 729	01.03.1	174	TU.08.00.1
B9.40.50.1 -N WRITE BUS 4 BIT 729	01.03.1	176	TU.08.00.1
B9.40.51.1 -N WRITE BUS 8 BIT 729	01.03.1	178	TU.08.00.1
B9.40.51.1 -N WRITE BUS A BIT 729	01.03.1	180	TU.08.00.1
B9.40.51.1 -N WRITE BUS B BIT 729	01.03.1	182	TU.08.00.1
B9.40.52.1 -N WRITE BUS C BIT 729	01.03.5	184	TU.08.00.1
71.11.11.2 +P SEL TU 1-729	02.02.2	79	TU.08.00.1
71.11.11.2 +P SEL TU 2-729	02.02.2	86	TU.08.00.1
71.11.11.2 +P SEL TU 3-729	02.02.2	88	TU.08.00.1
71.11.31.2 +P SEL TU 4-729	02.02.2	97	TU.08.00.1
71.11.31.2 +P SEL TU 5-729	02.02.2	99	TU.08.00.1
71.11.31.2 +P SEL TU 6-729	02.02.2	106	TU.08.00.1
71.51.21.2 -N PROCESS M	02.02.2	49	TU.08.00.1

A

B

B

C

C

D

D

E

E

F

F

G

G

H

H

J

723458

DATE	EC NO	DATE	EC NO	DATE	EC NO
4-5-61	110432F	1-26-62	113835	9-17-63	118575B

723459

REFERENCE PAGE  
OUTPUTS TO TAPE DRIVE (7330)

B9.02.26.0

TAG DATE

B.17.4.62  
TA 1282

C.12.11.63  
TA 604A

A

TAU LOGIC	7330 LOGIC	TAPE CONNECTOR
B9.40.50.1	-N WRITE BUS 1 BIT 7330	172
B9.40.50.1	-N WRITE BUS 2 BIT 7330	174
B9.40.50.1	-N WRITE BUS 4 BIT 7330	176
B9.40.51.1	-N WRITE BUS 8 BIT 7330	178
B9.40.50.1	-N WRITE BUS A BIT 7330	180
B9.40.50.1	-N WRITE BUS B BIT 7330	182
B9.40.52.1	-N WRITE BUS C BIT 7330	184
B9.60.50.1	-N WRITE PULSE 7330	196
B9.60.20.1	-N SET READ STATUS 7330	13
B9.60.30.1	-N SET WRITE STATUS 7330	11
B9.60.40.1	-N BACKWARD 7330	7
B9.60.11.1	-N GO 7330	5
B9.60.31.1	-N WR TR REL 7330	194
B9.60.50.1	-N REWIND 7330	9
B9.60.50.1	-N REWIND +UNLOAD 7330	39
B9.60.50.1	-N TURN ON T1 7330	1
B9.60.50.1	-N TURN OFF T1 7330	3
71.11.11.2	-N SELECT TU 1	79
71.11.11.2	-N SELECT TU 2	86
71.11.11.2	-N SELECT TU 3	88
71.11.31.2	-N SELECT TU 4	97
71.11.31.2	-N SELECT TU 5	99
71.11.31.2	-N SELECT TU 6	106
71.51.21.2	-N PROCESS M	49

A

B

B

C

C

D

D

E

E

F

F

G

G

H

H

J

J

723459

DATE	EC NO	DATE	EC NO	DATE	EC NO
4-5-61	110432F	1-26-62	113835	9-17-63	118575B

REFERENCE PAGE  
OUTPUTS TO TAU

Q2A1 LOGIC	SIGNAL NAME	TAU LOGIC
71.11.11.2	+Y DISC CALL	09.60.31.1
71.11.21.2	+Y REWIND CALL	09.60.02.1
71.11.21.2	+Y ERASE CALL	09.60.31.1
71.11.21.2	+Y BACKSPACE CALL	09.60.40.1
71.11.21.2	+Y REWIND +UNLOAD CALL	09.60.02.1
71.31.11.2	+Y MAN WR DISC	09.60.31.1
71.31.11.2	+Y MAN WR DISC	09.30.11.1
71.51.21.2	+Y C BIT WRITE DATA LINE	09.40.52.1
71.51.21.2	+Y A BIT WRITE DATA LINE	09.40.51.1
71.51.21.2	+Y B BIT WRITE DATA LINE	09.40.51.1
71.51.21.2	+Y D BIT WRITE DATA LINE	09.40.51.1
71.51.21.2	+Y E BIT WRITE DATA LINE	09.40.50.1
71.51.21.2	+Y F BIT WRITE DATA LINE	09.40.50.1
71.51.21.2	+Y TURN OFF T1	09.60.30.1
71.61.11.2	+Y READ CALL	09.60.30.1
71.71.21.2	+S TAU RESET	09.30.31.1
71.71.41.2	+Y EARLY SAMPLE	09.50.51.1
71.71.41.2	+Y EARLY SAMPLE	09.10.31.1
71.71.41.2	+Y MANUAL STOP OR ERROR	09.50.30.1
71.71.41.2	+Y MANUAL STOP OR ERROR	09.50.52.1
71.71.41.2	+Y AMPLIFIER BIAS	09.40.10.1
71.71.51.2	+Y COMP CK CE	09.50.30.1
71.71.41.2	+Y BACKWARD	09.60.40.1
71.71.41.2	+Y REG A ONLY	09.50.10.1
71.71.41.2	+Y REG B ONLY	09.50.10.1
71.71.41.2	+Y TURN ON CO	09.60.11.1
71.71.61.2	+Y MANUAL OP	09.30.11.1
71.71.61.2	+Y WR TR CALL	09.60.31.1
71.71.61.2	+Y WR CALL	09.60.30.1
71.71.61.2	+Y ODD REDUNDANCY CALL	09.40.01.1
71.61.21.2	+Y DENSITY SW 200 + 000	09.30.11.1
71.61.21.2	+Y DENSITY SW 556 + 000	09.30.11.1
71.61.21.2	+Y DENSITY SW 200 + 556	09.30.11.1
71.31.11.2	+Y REV TAU ERROR LATCH	09.50.42.1

NOTE: A -Y LINE IS A -Y LINE IN TAU.  
A +Y LINE IS A +Y LINE IN TAU.

DATE 3.7.62  
TA 1370B

DATE 7.2.63  
TA 1716A

DATE 11-2-62  
EC NO 110432 F  
116720

DATE 4-10-62  
EC NO 112035

EC NO 110613

7234-50

	TAU LOGIC	SIGNAL NAME	O2A1 LOGIC	
A	89.30.52.1	+Y WD 52	71.31.11.2	A
	89.30.52.1	+Y WD 80	71.31.11.2	
	89.30.55.1	+Y WD 320 OR WD 1088	71.31.11.2	
	89.60.30.1	+Y WRITE COND	71.31.11.2	
	89.60.51.1	+Y SEL +T1 ON	71.31.11.2	
	89.50.50.1	+Y ERROR	71.31.11.2	
B	89.60.02.1	+Y BUSY	71.31.11.2	B
	89.30.56.1	+Y FWD STOP DELAY	71.31.11.2	
	89.20.30.1	+Y WC 2	71.31.21.2	
	89.10.31.1	+Y WR RC-5 OR RD RC 7	71.31.21.2	
	89.60.02.1	+Y LOAD POINT	71.31.21.2	
	89.40.52.1	+Y R-W REG C BIT	71.61.11.2	
	89.40.51.1	+Y R-W REG B BIT	71.61.11.2	
C	89.40.51.1	+Y R-W REG A BIT	71.61.11.2	C
	89.40.51.1	+Y R-W REG 8 BIT	71.61.11.2	
	89.40.50.1	+Y R-W REG 5 BIT	71.61.11.2	
	89.40.50.1	+Y R-W REG 2 BIT	71.61.11.2	
	89.40.50.1	+Y R-W REG 1 BIT	71.61.11.2	
	89.40.61.1	+Y CHECK CHAR	71.71.21.2	
	89.20.20.1	+Y WC 8 TR	71.71.21.2	
D	89.30.52.1	+Y WD 49	71.61.21.2	D
	89.20.10.1	+Y 729 HI DEN 800 OR 556 BP1	71.61.21.2	
	89.10.20.1	+Y RC 4 TR	71.61.21.2	
	89.10.10.1	+Y SEL +RDY HI 7330	71.61.21.2	
	89.60.31.1	+Y WRITE TH DRIVE	71.31.21.2	
	89.30.10.1	+Y END READ DELAY	71.61.21.2	
E	89.10.10.1	+Y SEL +RDY MOD 4	71.61.21.2	E

NOTE: A 'Y' LINE IS CONSIDERED  
A '0' IN CTDL

DATE 3.7.62  
TA 1370B

DATE 7.2.63  
TA 1715A

DATE 4-5-61 EC NO 110432F  
11-2-62 116726

DATE 1-25-62 EC NO 113835

DATE 4-10-62 EC NO 114613

1715 A  
723461

(INDICATORS) \*

TAU LOGIC	NAME	22A1 LOGIC
89.30.40.1	DC 1 TR IND	71.81.11.2
89.30.40.1	DC 2 TR IND	71.81.11.2
89.30.40.1	DC 4 TR IND	71.81.11.2
89.30.41.1	DC 8 TR IND	71.81.11.2
89.30.42.1	DC 16 TR IND	71.81.11.2
89.30.42.1	DC 32 TR IND	71.81.11.2
89.30.42.1	DC 64 TR IND	71.81.11.2
89.30.42.1	DC 128 TR IND	71.81.11.2
89.30.43.1	DC 256 TR IND	71.81.11.2
89.30.43.1	DC 512 TR IND	71.81.11.2
89.30.43.1	DC 1024 TR IND	71.81.11.2
89.30.43.1	DC 2048 TR IND	71.81.11.2
89.10.20.1	RC 1 TR IND	71.81.12.2
89.10.20.1	RC 2 TR IND	71.81.12.2
89.10.20.1	RC 4 TR IND	71.81.12.2
89.10.20.1	RC 8 TR IND	71.81.12.2
89.20.20.1	WC 1 TR IND	71.81.12.2
89.20.20.1	WC 2 TR IND	71.81.12.2
89.20.20.1	WC 4 TR IND	71.81.12.2
89.20.20.1	WC 8 TR IND	71.81.12.2
89.40.52.1	R-W REG C BIT IND	71.81.11.2
89.40.51.1	R-W REG A BIT IND	71.81.11.2
89.40.51.1	R-W REG B BIT IND	71.81.11.2
89.40.51.1	R-W REG 3 BIT IND	71.81.11.2
89.40.50.1	R-W REG 4 BIT IND	71.81.11.2
89.40.50.1	R-W REG 2 BIT IND	71.81.11.2
89.40.50.1	R-W REG 1 BIT IND	71.81.11.2
89.40.23.1	A REG C BIT IND	71.81.11.2
89.40.22.1	A REG A BIT IND	71.81.11.2
89.40.22.1	A REG B BIT IND	71.81.11.2
89.40.21.1	A REG 3 BIT IND	71.81.11.2
89.40.21.1	A REG 4 BIT IND	71.81.11.2
89.40.20.1	A REG 2 BIT IND	71.81.11.2
89.40.20.1	A REG 1 BIT IND	71.81.11.2
89.40.23.1	B REG C BIT IND	71.81.11.2
89.40.23.1	B REG A BIT IND	71.81.11.2
89.40.22.1	B REG B BIT IND	71.81.11.2
89.40.21.1	B REG 3 BIT IND	71.81.11.2
89.40.21.1	B REG 4 BIT IND	71.81.11.2
89.40.20.1	B REG 2 BIT IND	71.81.11.2
89.40.20.1	B REG 1 BIT IND	71.81.11.2
89.50.50.1	ERROR LATCH IND	71.81.12.2
89.50.51.1	A REG VNC ERROR IND	71.81.12.2
89.50.50.1	R-W REG VNC ERR IND	71.81.12.2
89.50.30.1	COMPARE ERR IND	71.81.12.2
89.50.51.1	SKEW ERROR IND	71.81.12.2
89.50.50.1	ECHO ERROR IND	71.81.12.2
89.40.61.1	CHECK CHAR IND	71.81.12.2
89.40.61.1	ODD REQ CALL IND	71.81.11.2
89.50.50.1	NO ECHO IND	71.81.11.2
89.60.02.1	LOAD POINT IND	71.81.11.2
89.60.02.1	REWIND IND	71.81.12.2
89.60.02.1	REWIND AND UNLOAD IND	71.81.12.2
89.60.11.1	GO IND	71.81.11.2
89.60.20.1	READ COND IND	71.81.12.2
89.60.20.1	READ ONLY IND	71.81.12.2
89.60.30.1	WR COND IND	71.81.12.2
89.60.31.1	WR TR REL IND	71.81.12.2
89.60.30.1	WRITE IND	71.81.12.2
89.60.31.1	DISC IND	71.81.12.2
89.60.31.1	WR TR IND	71.81.12.2
89.60.31.1	ERASE IND	71.81.12.2
89.60.40.1	BKSP IND	71.81.12.2
89.60.40.1	BACKWARD IND	71.81.12.2
89.30.10.1	READ-DELAY IND	71.81.12.2
89.30.10.1	RDD IND	71.81.12.2
89.30.11.1	WDD IND	71.81.12.2
89.30.11.1	WRITE DELAY IND	71.81.12.2
89.30.56.1	PWD STOP DELAY IND	71.81.11.2
89.50.41.1	LRCR C BIT IND	71.81.11.2
89.50.41.1	LRCR A BIT IND	71.81.11.2
89.50.41.1	LRCR B BIT IND	71.81.11.2
89.50.40.1	LRCR 3 BIT IND	71.81.11.2
89.50.40.1	LRCR 4 BIT IND	71.81.11.2
89.50.40.1	LRCR 2 BIT IND	71.81.11.2
89.50.40.1	LRCR 1 BIT IND	71.81.11.2
89.40.60.1	FIRST CHAR IND	71.81.12.2

\* ALL INDICATOR SIGNALS ARE 48 LINES

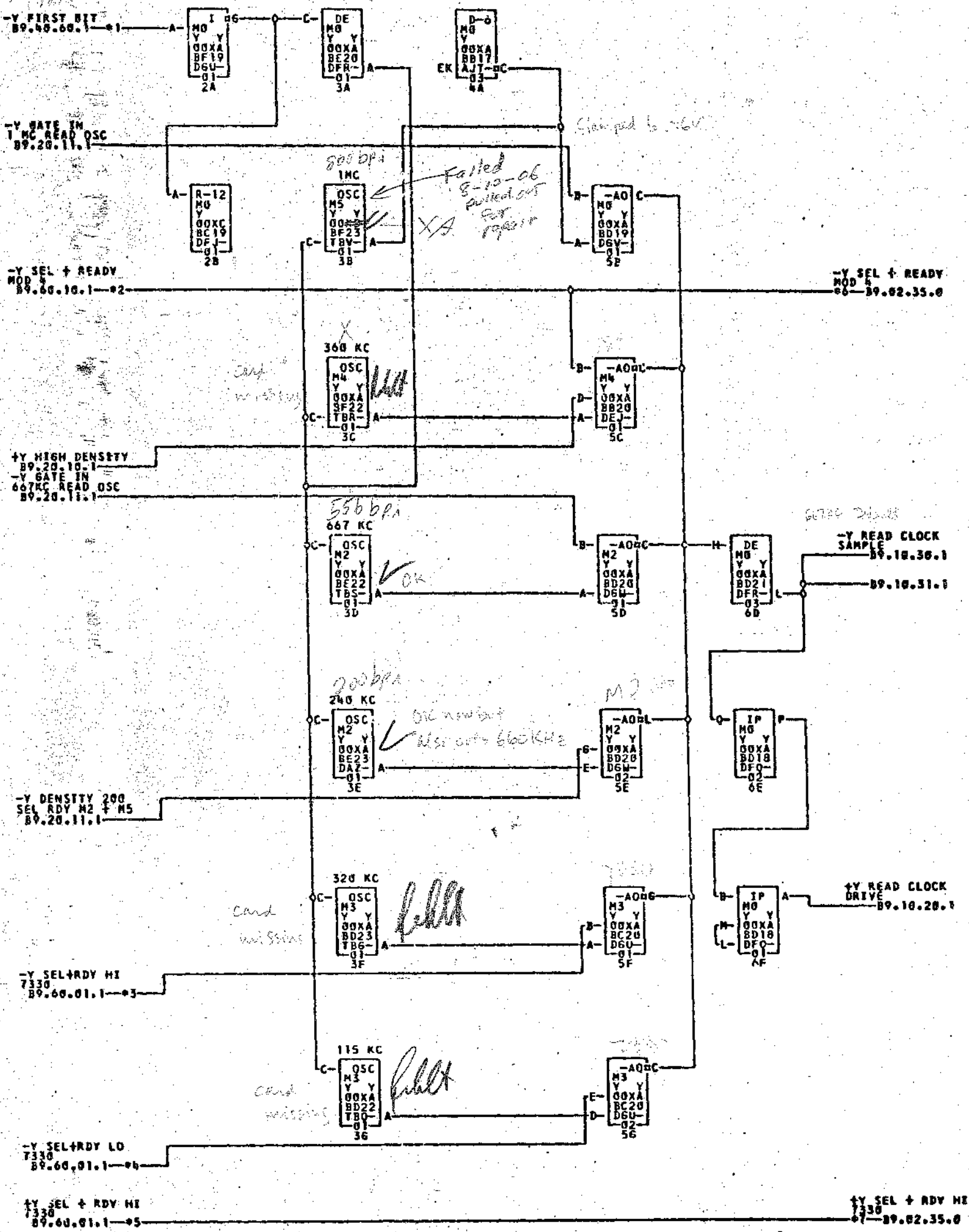
795462

B 14.12.62

TA 1678A

C 12.3.63

TA 1775



- \*1-00XB02R
- \*2-00XBA01L
- \*3-00XBB01H
- \*4-00XBB01C
- \*5-00XBE01H
- \*6-00XBD020
- \*7-00XBD02H

805537

COMMENTS	TAG DATE	E.C.NO.	TAG DATE	E.C.NO.	TAG DATE	E.C.NO.	TAG DATE	E.C.NO.
00XB 02R3 1401 00XB 1606 1610	A 11-30-61	113420	B 10-03-62	116236	C 12-13-62	115700		

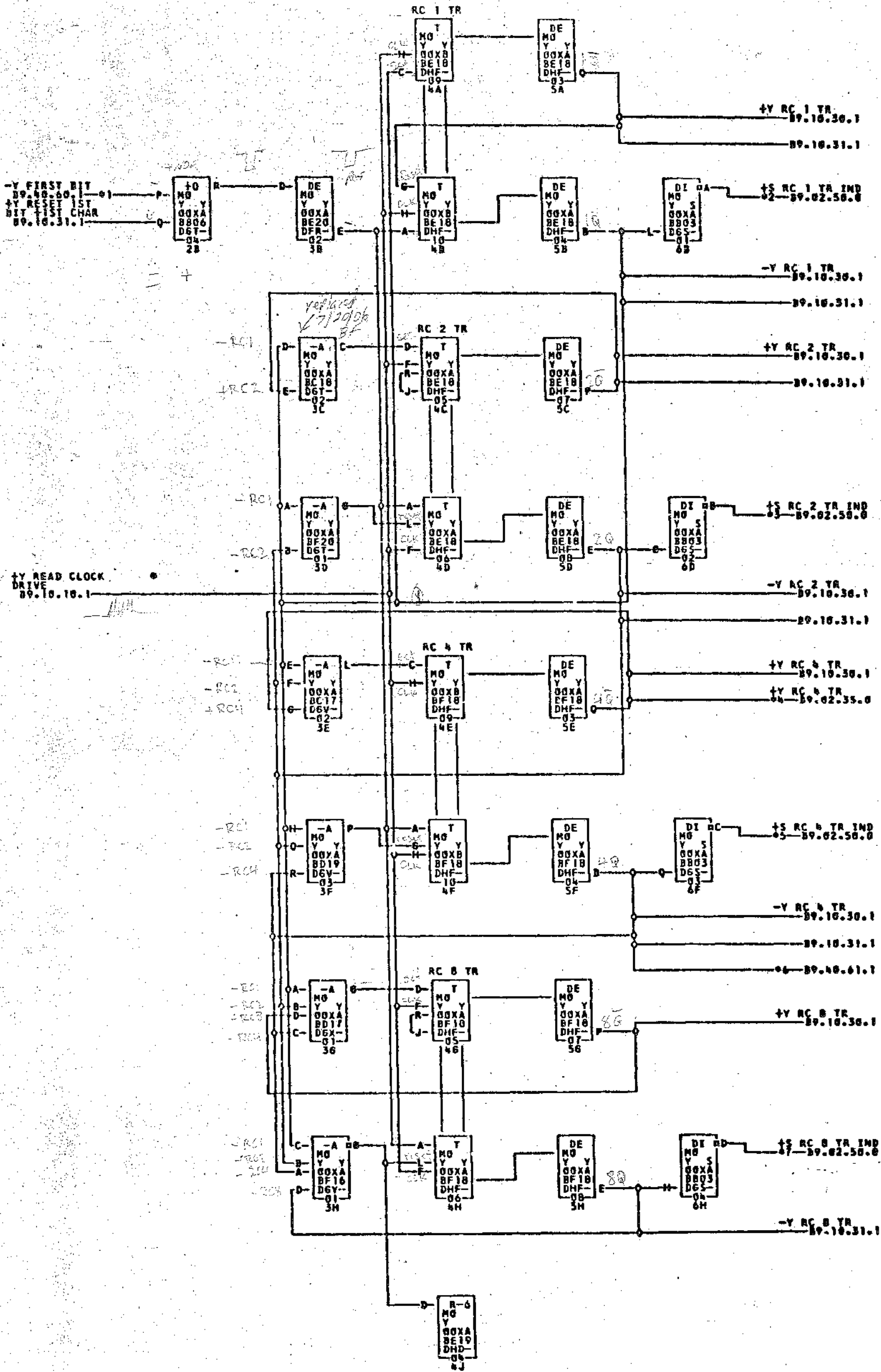


A 10.4.62

TA 1233

B 12.3.63

TA 1775



- \*1-00XB02R
- \*2-00XB02A
- \*3-00XB02B
- \*4-00XB02K
- \*5-00XB02C
- \*6-00XB02M

00XB 02B3 1401  
00XB 1404 1410

COMMENTS

TAG DATE	E.C. NO.	TAG DATE	E.C. NO.	TAG DATE	E.C. NO.	TAG DATE	E.C. NO.
A 11-30-61	113420	B 12-13-62	116749C				

805538

805539

READ CLOCK GATING

TAU 9

89.10.30.1

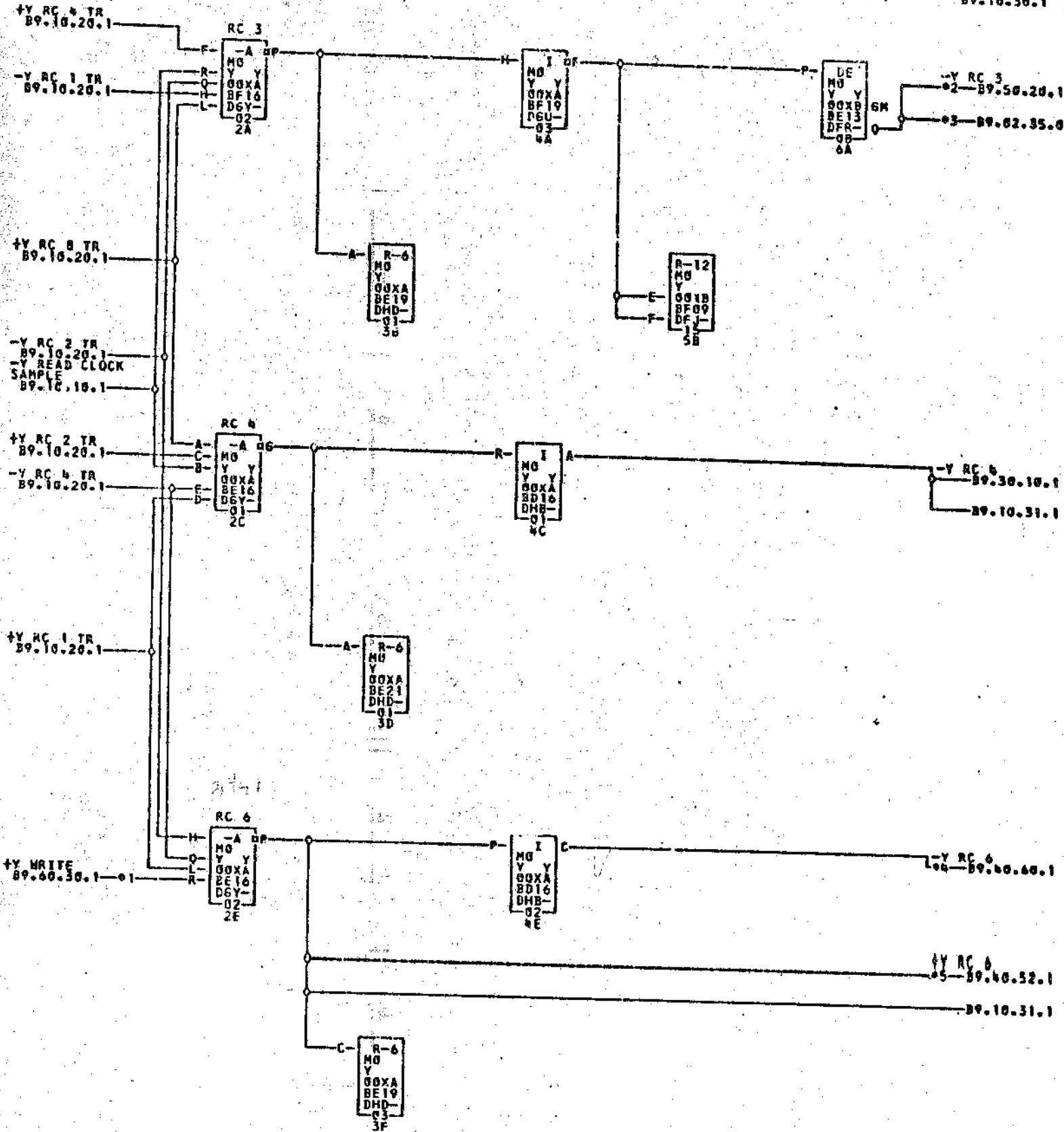
TAG DATE

A 10.4.62

TA 1233

B 12.3.63

TA 1775



\*1-00XB01F

\*2-00XB02F

\*3-00XB02F

\*4-00XB02K

\*5-00XB02N

805539

1775

00XB 0293 1401  
00XB 1404 1410

COMMENTS

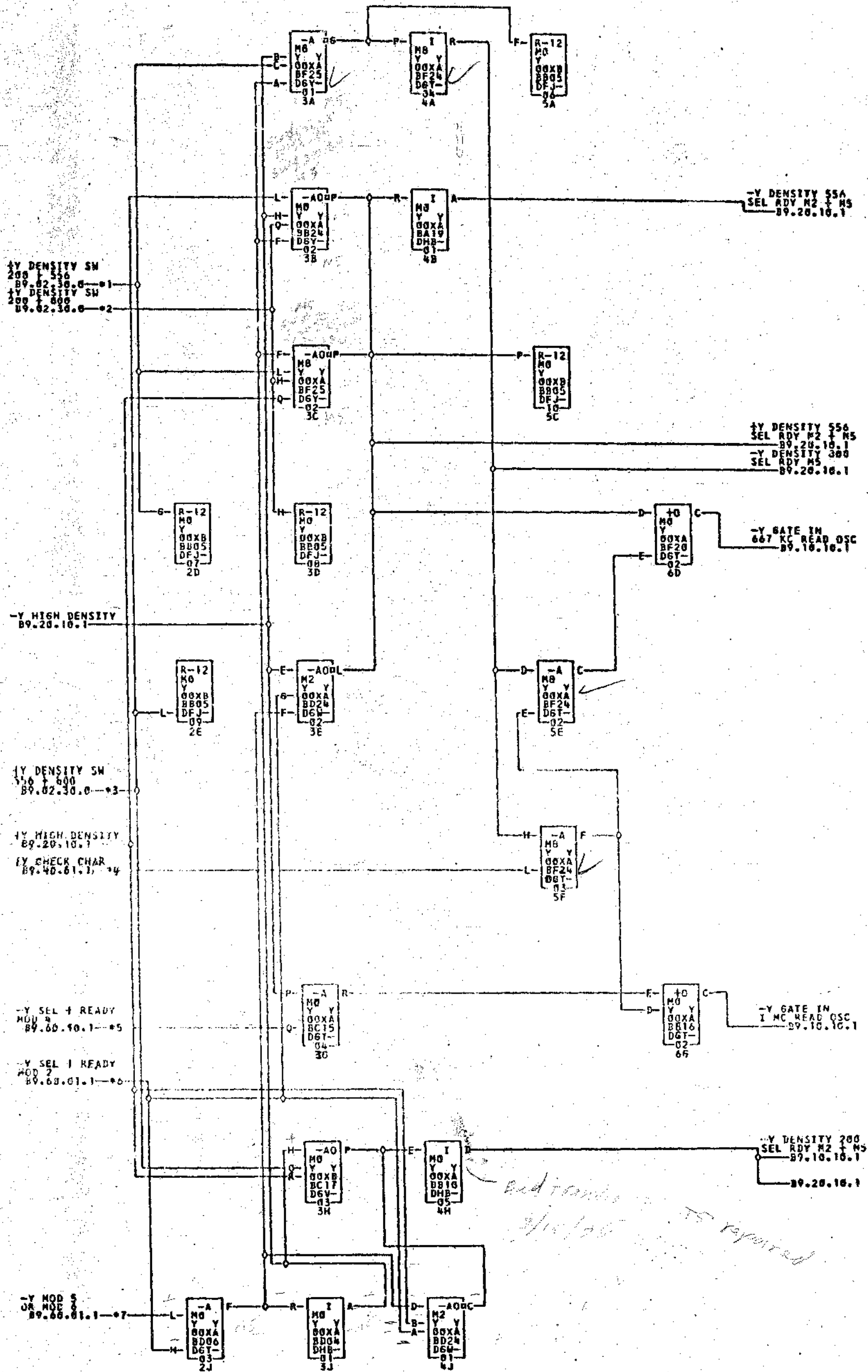
TAG DATE	E.C.NO.	TAG DATE	E.C.NO.	TAG DATE	E.C.NO.	TAG DATE	E.C.NO.
A 11-30-61	113420	B 12-13-62	116149C				





A 10.4.62  
TA 1233

B 12.3.63  
TA 1775



\*1--00XB02M  
\*7--00XB01R

\*2--00XB02L

\*3--00XB02M

\*4--00XB01R

\*5--00XB01L

\*6--00XB01R

COMMENTS

TAG DATE	E.C.NO.	TAG DATE	E.C.NO.	TAG DATE	E.C.NO.	TAG DATE	E.C.NO.
A 11-30-61	11342J	B 12-13-62	116749C				

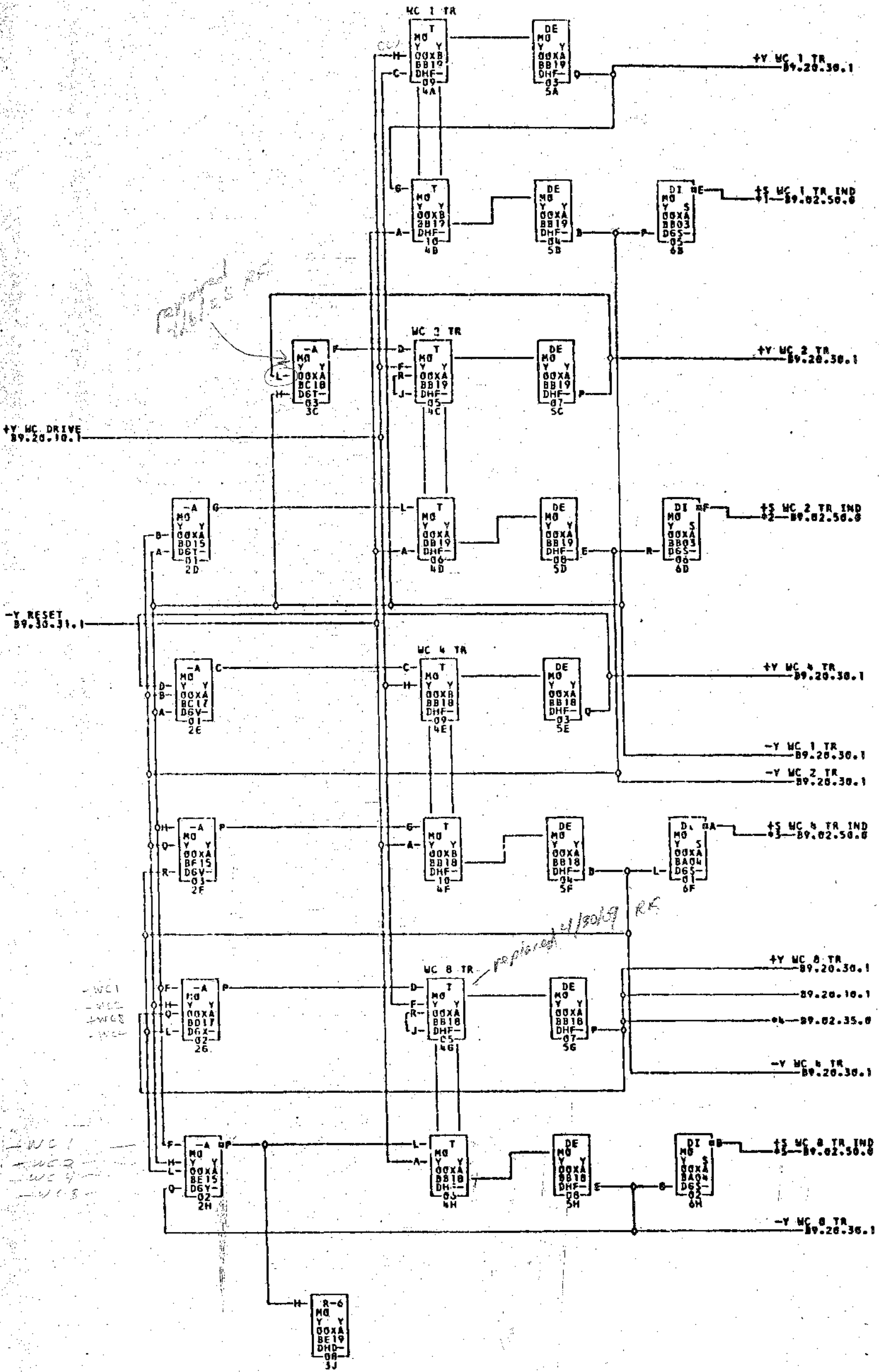
805542

A 10.4.62

TA 1233

B 12.3.63

TA 1775



\*1-00XB002E

\*2-00XB002F

\*3-00XB002G

\*4-00XB002M

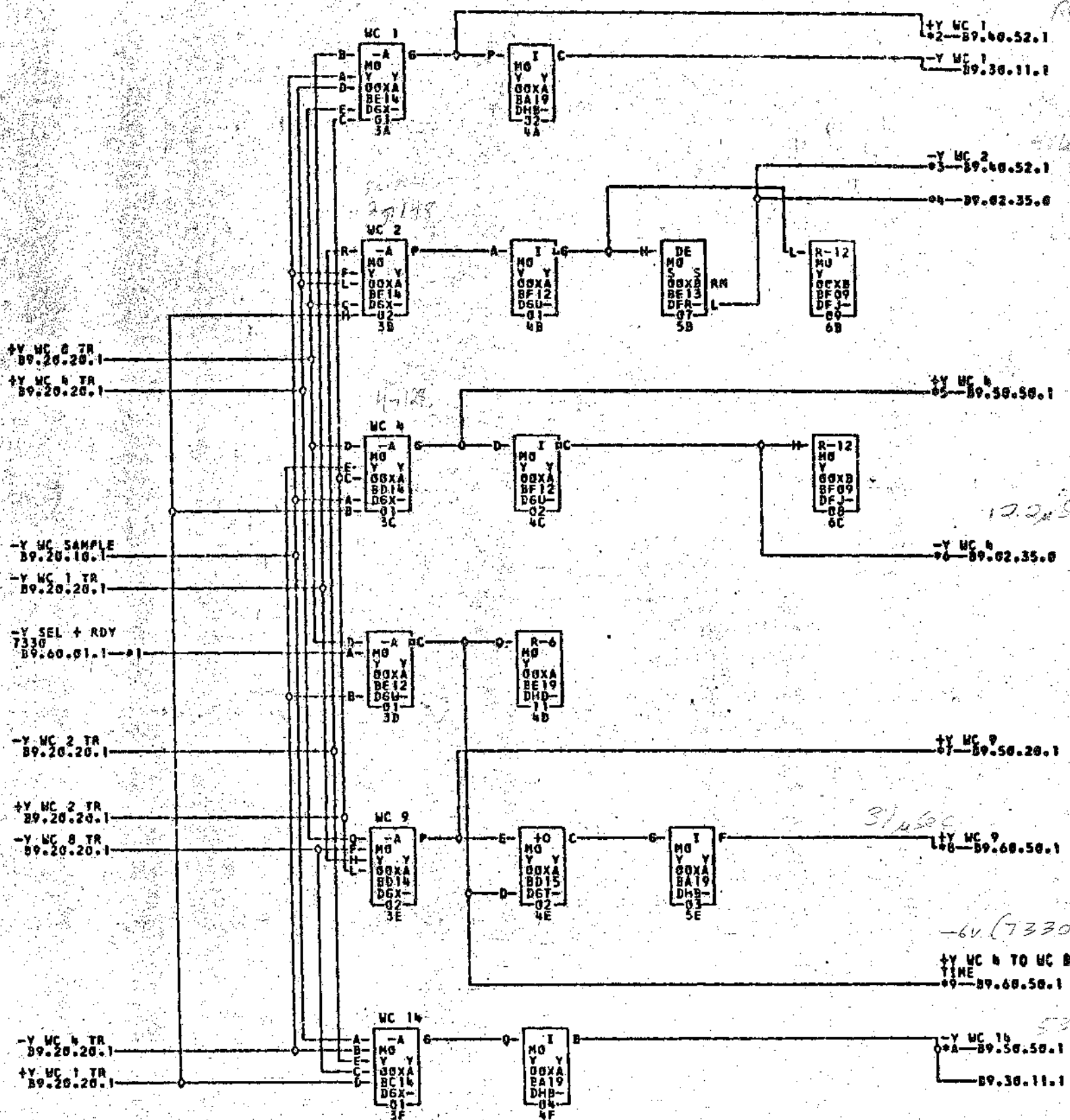
\*5-00XB002H

00XB 0203 1401  
00XB 1404 1410

COMMENTS

TAG DATE	E.C.NO.	TAG DATE	E.C.NO.	TAG DATE	E.C.NO.	TAG DATE	E.C.NO.
A 11-30-61	113420	B 12-13-62	118792				

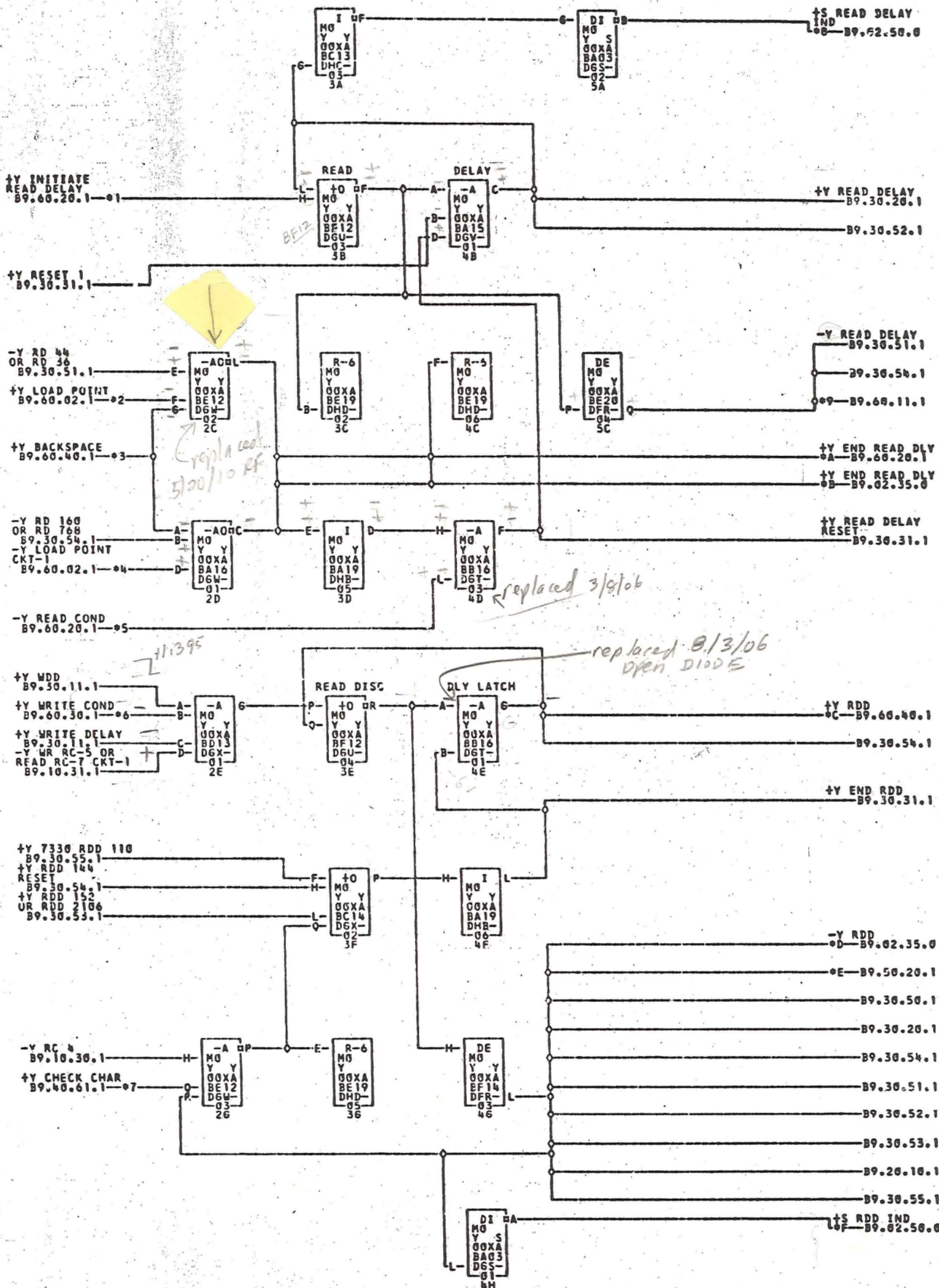
005543



*Decodes OK as per 1/65*

- \*1-00XBA01A
- \*2-00XBE02H
- \*3-00XBE02G
- \*4-00XBC02P
- \*5-00XBC01R
- \*6-00XBD02D
- \*7-00XBE02H
- \*8-00XBC01D
- \*9-00XBE016
- \*A-00XBC01Q

805544



\*1-00XBAD1M  
 \*7-00XBAD1R  
 \*D-00XBAD2E

\*2-00XBAD1N  
 \*8-00XBAD2K  
 \*E-00XBAD2E

\*3-00XBAD1P  
 \*9-00XBAD1L  
 \*F-00XBAD2L

\*4-00XBAD1Q  
 \*A-00XBAD1R

\*5-00XBAD1A  
 \*B-00XBAD2Q

\*6-00XBAD1E  
 \*C-00XBAD1E

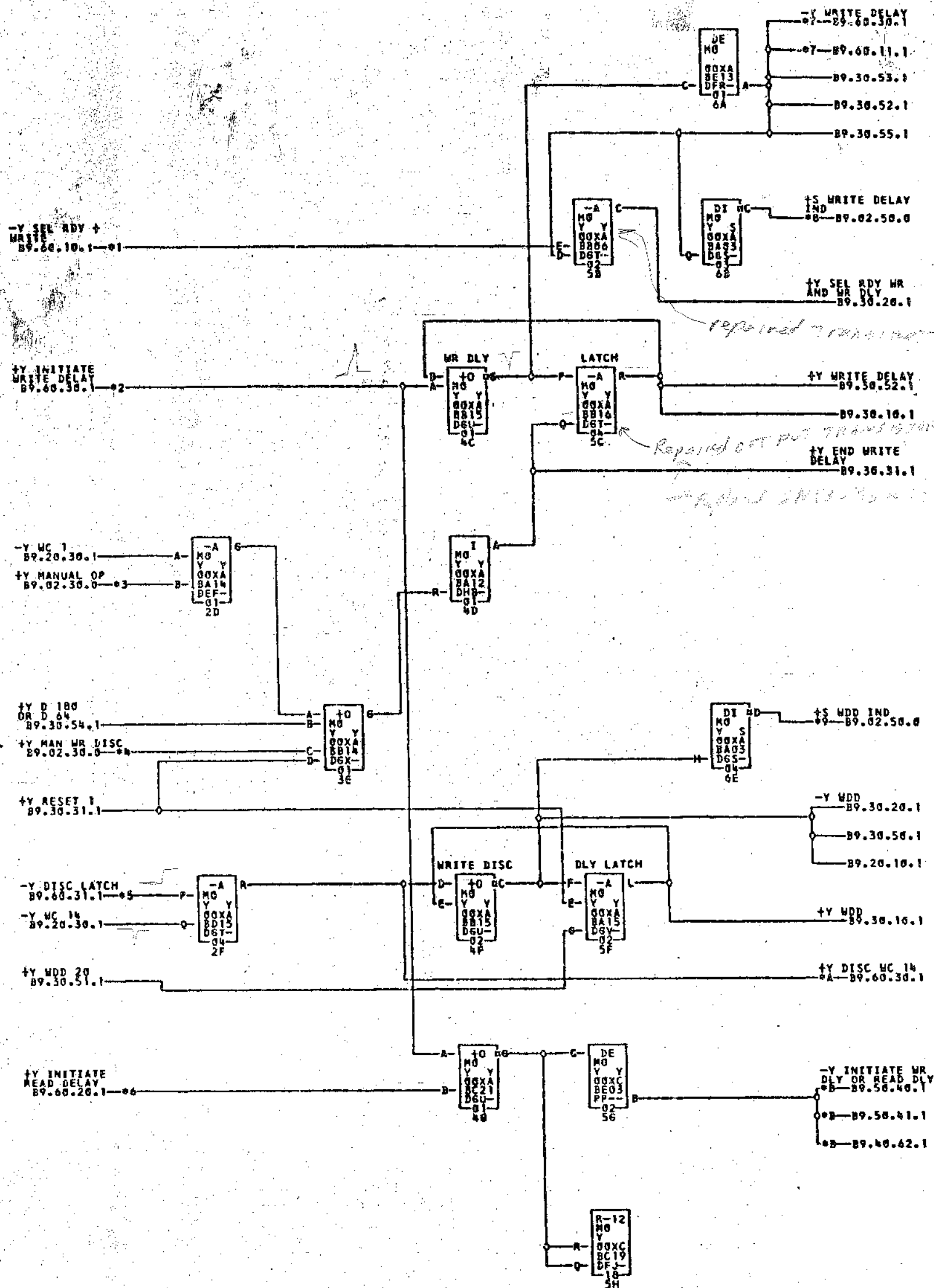
00XB 02B3 140  
 00XB 14D4 141

COMMENTS

TAG DATE E.C.NO. TAG DATE E.C.NO. TAG DATE E.C.NO. TAG DATE E.C.NO.  
 A 11-30-61 113420 B 05-10-62 115310 C 12-13-62 116749C

0805545





*Repaired 7/20/67*

*Repaired 6/27/67*

*Repaired 2/13/67*

- \*1-00XB801L
- \*2-00XB801F
- \*3-00XB802M
- \*4-00XB802L
- \*5-00XB801A
- \*6-00XB801M
- \*7-00XB8016
- \*8-00XB802K
- \*9-00XB802M
- \*A-00XB801N
- \*B-00XB801H

0805566

TAG DATE	E.C.NO.	TAG DATE	E.C.NO.	TAG DATE	E.C.NO.	TAG DATE	E.C.NO.
00XB 02B3 1401		A 11-30-61	113420	B 10-03-62	116234	C 12-13-62	116749C

COMMENTS

00XB 14D6 1410



0805548

DELAY COUNTER RESET TRIGGER RESET

TAU 9

89.30.31.1

TAG DAT

+Y WDD 20  
 89.30.51.1  
 +Y 7330 WR FWD  
 D 128 THEN BKSP  
 89.30.53.1  
 +Y WDD 60  
 89.30.50.1  
 +Y READ DELAY  
 RESET  
 89.30.10.1  
 +Y END RDD  
 89.30.10.1

+Y END WRITE  
 DELAY  
 89.30.11.1

-S TAU RESET  
 89.02.38.0 +1

-Y DC RESET  
 89.30.40.1  
 89.30.41.1  
 89.30.42.1  
 89.30.43.1

+Y DC RESET  
 89.30.20.1

-Y RESET  
 89.20.20.1  
 89.10.31.1

+Y RESET 1  
 \*2-89.40.52.1  
 89.30.10.1  
 89.30.11.1  
 89.30.54.1

+Y RESET 2  
 \*3-89.50.51.1  
 \*3-89.60.10.1  
 \*3-89.60.20.1  
 \*3-89.60.30.1  
 \*3-89.60.31.1  
 \*3-89.60.40.1  
 \*3-89.60.02.1  
 \*3-89.60.51.1

\*1-00XBC02F

\*2-00XBE02B

\*3-00XBC01P

00XB 02B3 1401  
 00XB 14D6 1410

COMMENTS

TAG DATE E.C.NO.  
 A 11-30-61 113420

TAG DATE E.C.NO.  
 B 12-13-62 116749C

TAG DATE

E.C.NO.

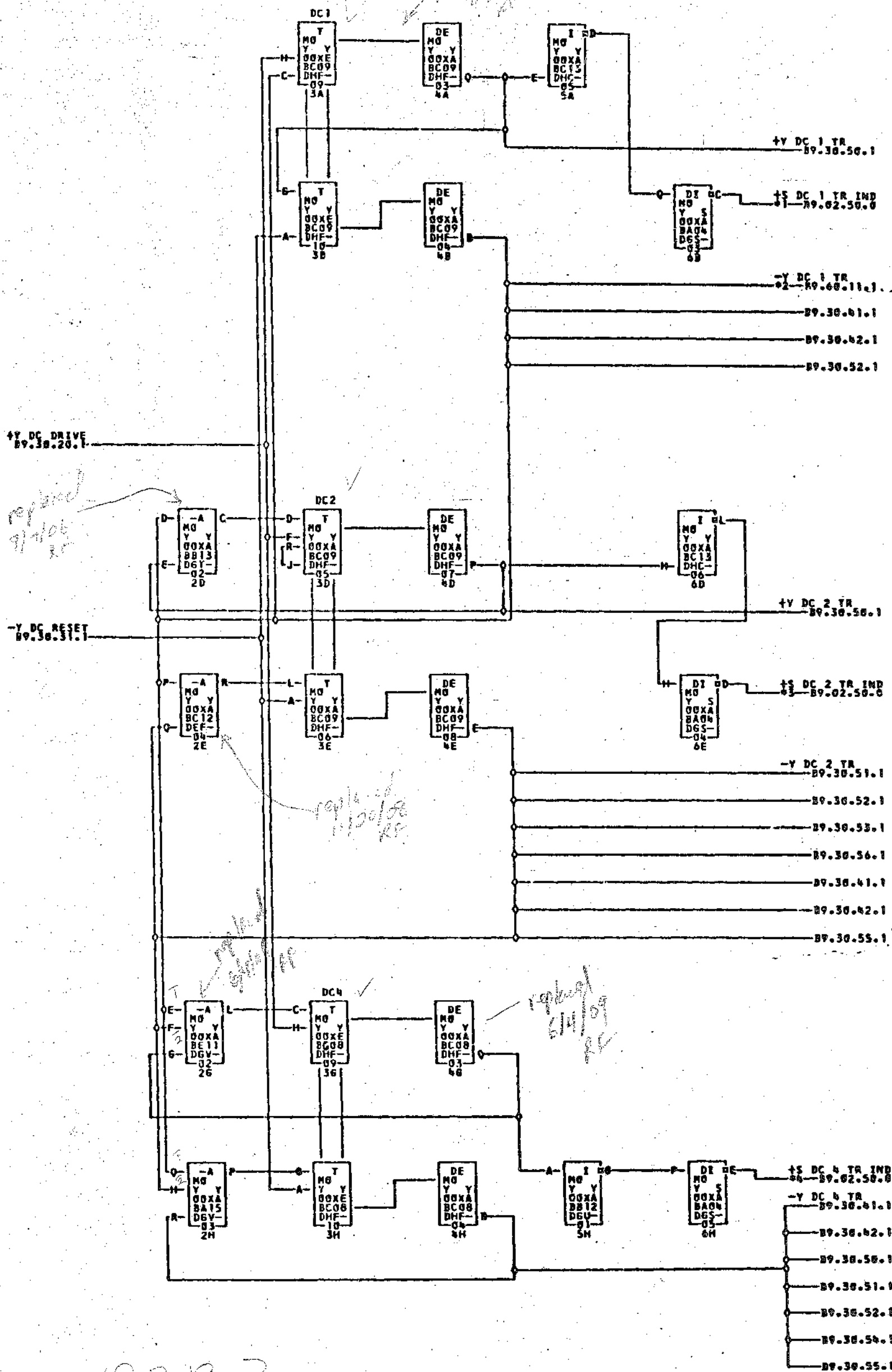
TAG DATE

E.C.NO.

0805548

D 14.12.32  
TA 167

E 12.3.63  
TA 1775



02B3

\*1-00XBA02M \*2-00XBD01D \*3-00XBA02P \*4-00XBA02Q

00XB 0203 INQ  
00XB 1404 IN10

COMMENTS

TAG DATE	E.C.NO.	TAG DATE	E.C.NO.	TAG DATE	E.C.NO.	TAG DATE	E.C.NO.
A 11-30-61	113420	D 01-26-62	113840	C 05-15-62	115304	D 10-03-63	116230
E 12-13-62	116749C						

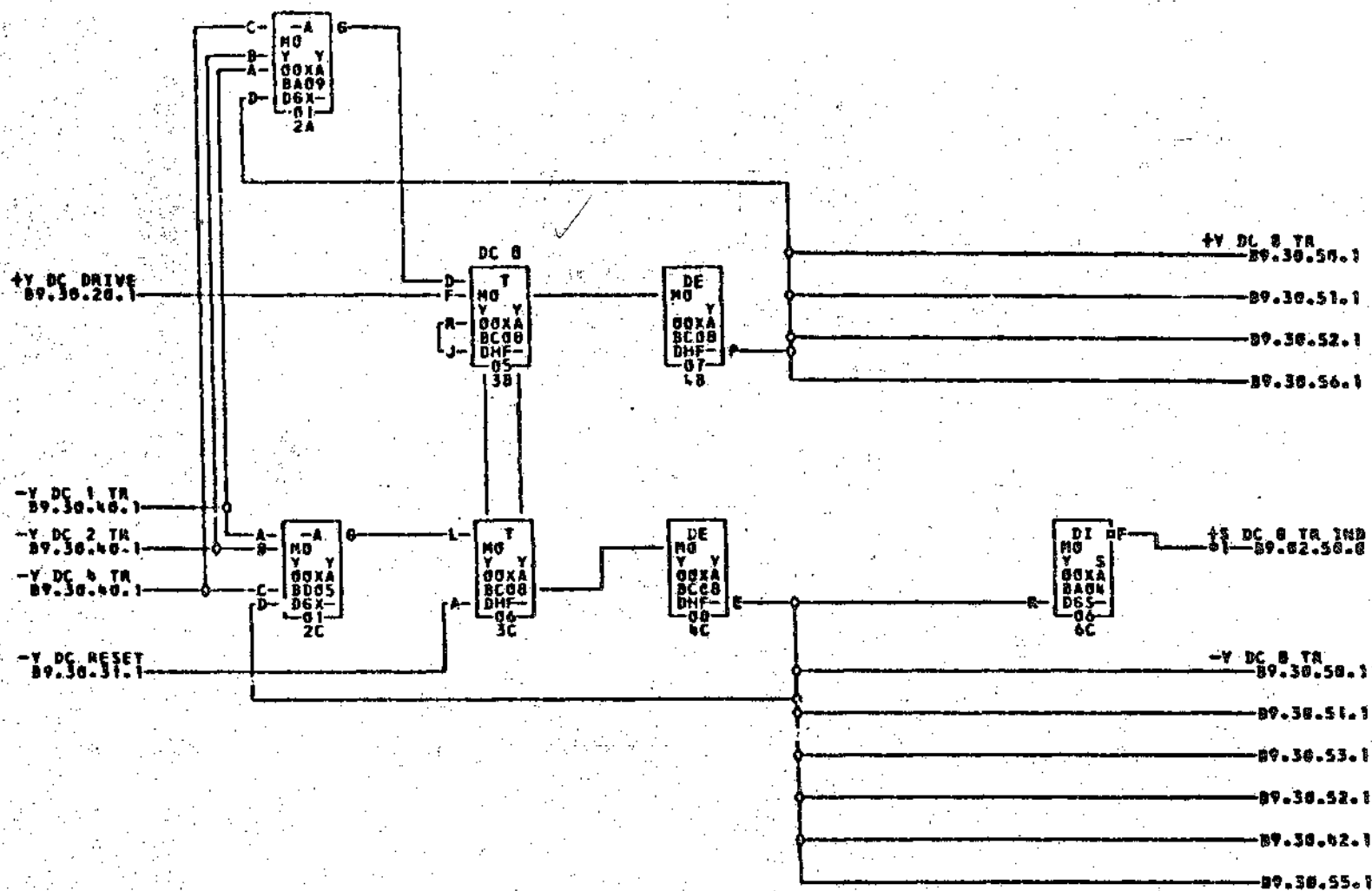
005549

B 14.12.62

TA 1678A

C 12.3.63

TA 1775



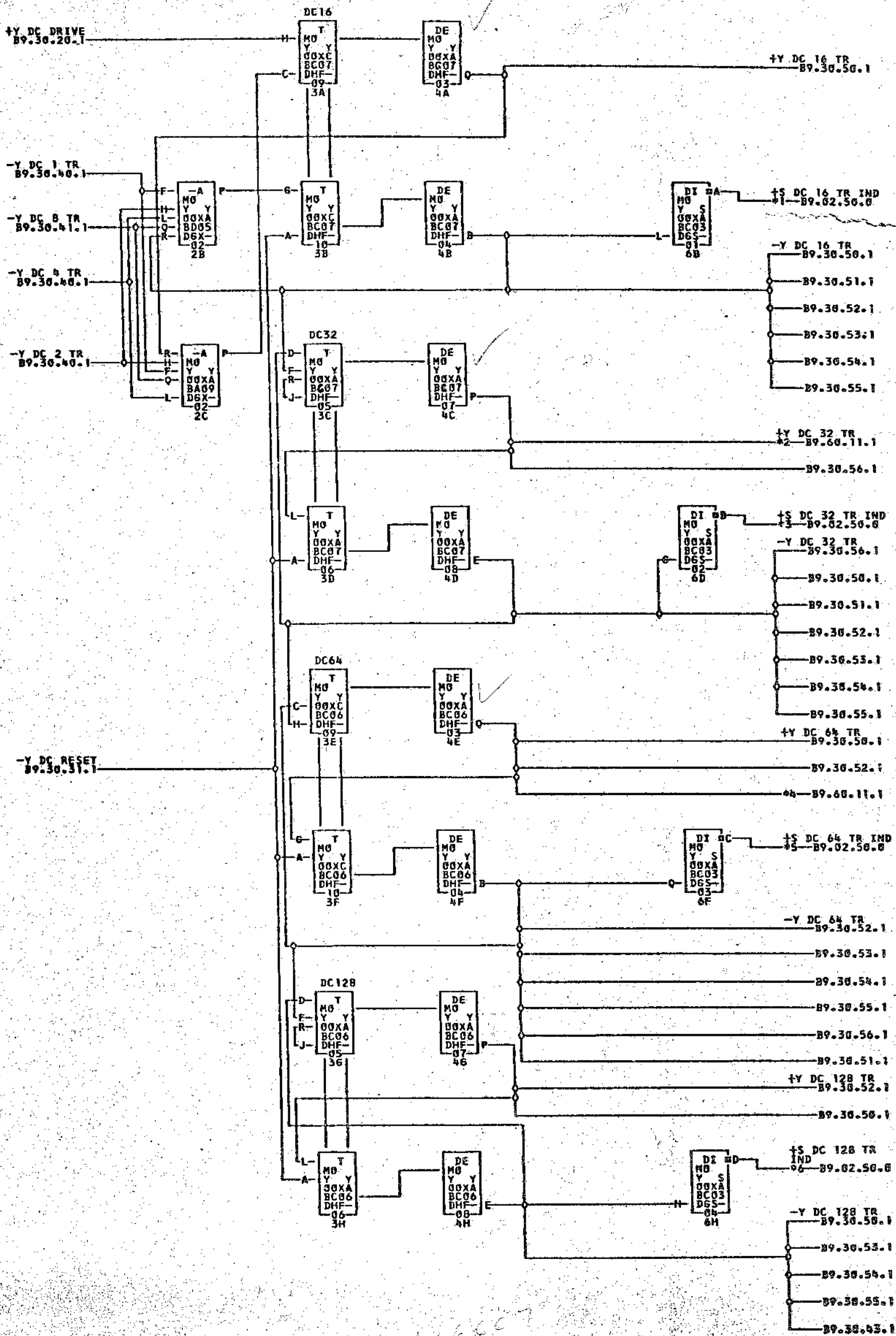
01-00XB462R

00XB 83 1401  
00XB 1404 1410

COMMENTS

TAG DATE	E.C.NO.	TAG DATE	E.C.NO.	TAG DATE	E.C.NO.	TAG DATE	E.C.NO.
A 11-30-61	113420	B 10-05-62	113234	C 12-13-62	116140C		

005550



\*1-00XB002A

\*2-00XB001E

\*3-00XB002B

\*4-00XB001F

\*5-00XB002C

\*6-00XB002D

00XB 0283 1401  
00XB 1404 1410

COMMENTS

TAG	DATE	E.C.NO.	TAG	DATE	E.C.NO.	TAG	DATE	E.C.NO.	TAG	DATE	E.C.NO.
A	11-30-61	113420	B	10-03-62	116236	C	12-13-62	116749C			

RECORDED

005552

DELAY COUNTER

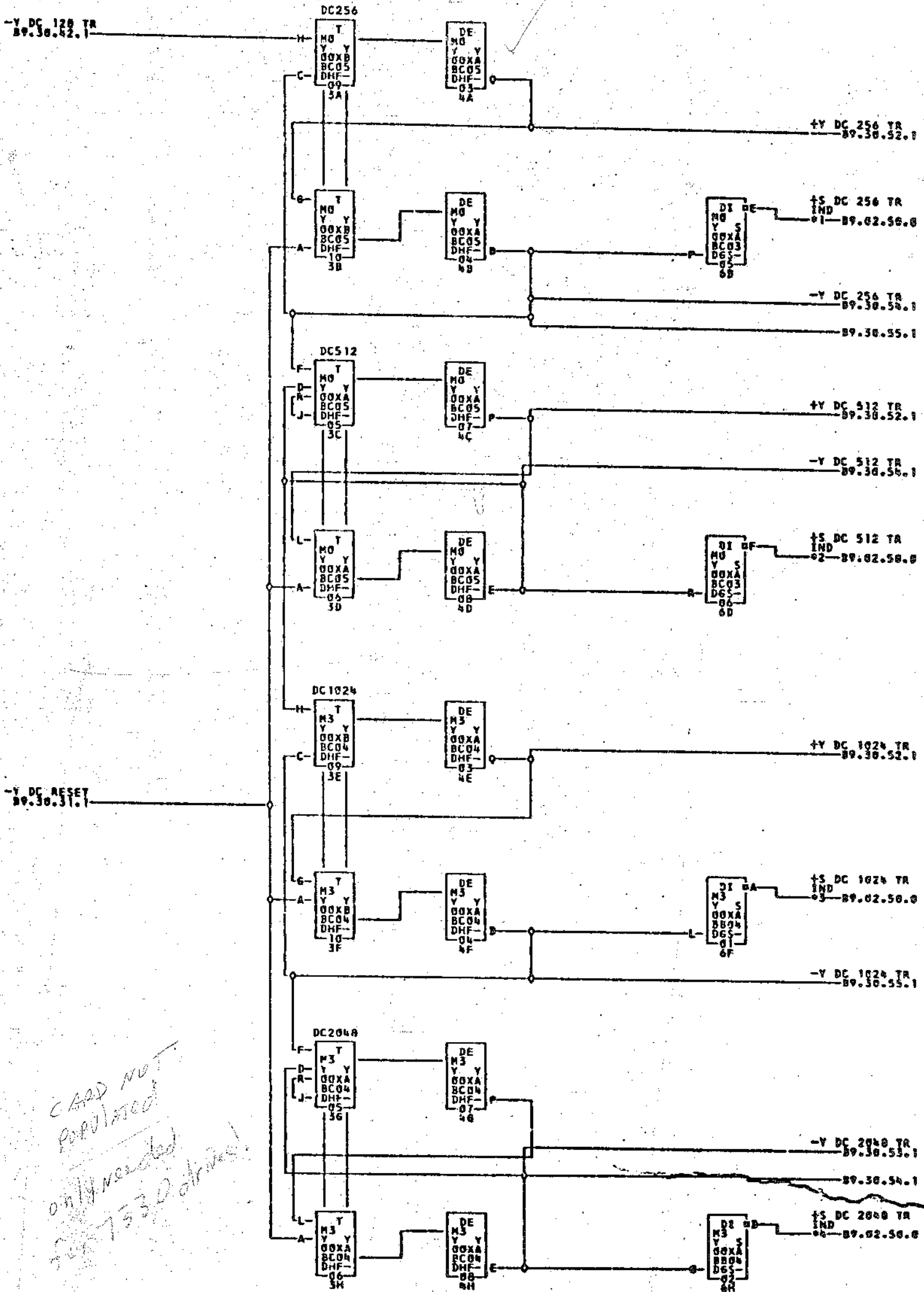
TAU 9

89.30.43.1

TAG D

A 1074.  
TA 123:

B 12.3.  
TA 177:



*CARD NOT POPULATED  
only needed for 7530 drive!*

\*1-00XBB02E

\*2-00XBB02F

\*3-00XBB02G

\*4-00XBB02H

805552

00XB 0283 1401  
00XB 1404 1410

COMMENTS

TAG DATE	E.C.NO.	TAG DATE	E.C.NO.	TAG DATE	E.C.NO.	TAG DATE	E.C.NO.
A 11-30-61	113620	B 12-13-62	116700				

0805553

DELAY COUNTER GATING

TAU 9

B9.30.50.1

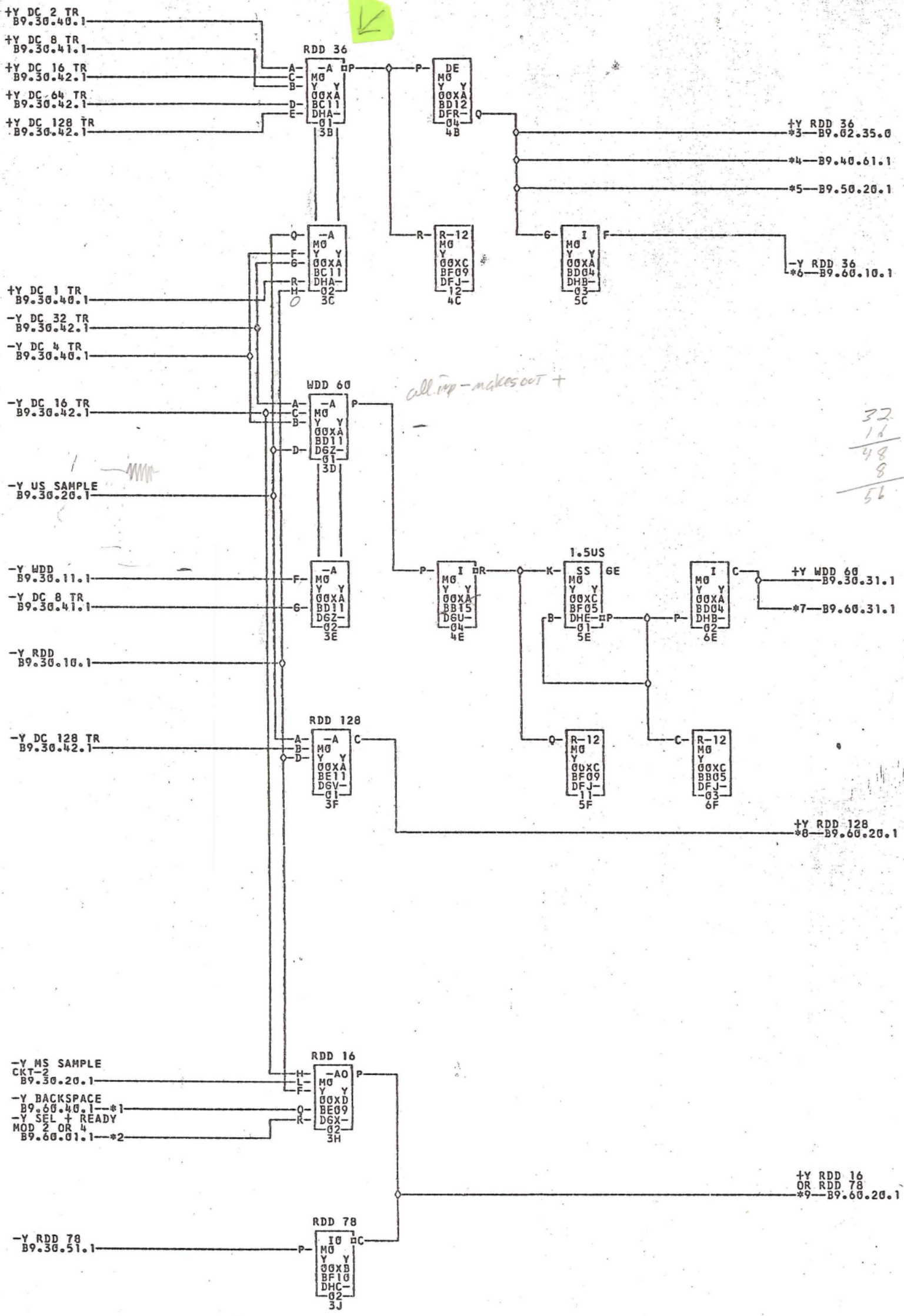
TAG DATE

C 12.8.63  
TA 1775

D 29.10.63  
TA 1990A

*M Sec Decodes*

*- sample & rdd off*



- \*1-00XBA01C
- \*2-00XBA01D
- \*3-00XBD02C
- \*4-00XBC01N
- \*5-00XBE026
- \*6-00XBD01Q
- \*7-00XBB01P
- \*8-00XBC01E
- \*9-00XBC01C

00XB 02B3 1401	COMMENTS	TAG DATE	E.C.NO.	TAG DATE	E.C.NO.	TAG DATE	E.C.NO.	TAG DATE	E.C.NO.
00XB 14D4 1410		A 11-30-61	113420	B 10-03-62	116234	C 12-13-62	116749C	D 08-05-63	118300

805553



080554

DELAY COUNTER GATING

TAU 9

89.36.51.1

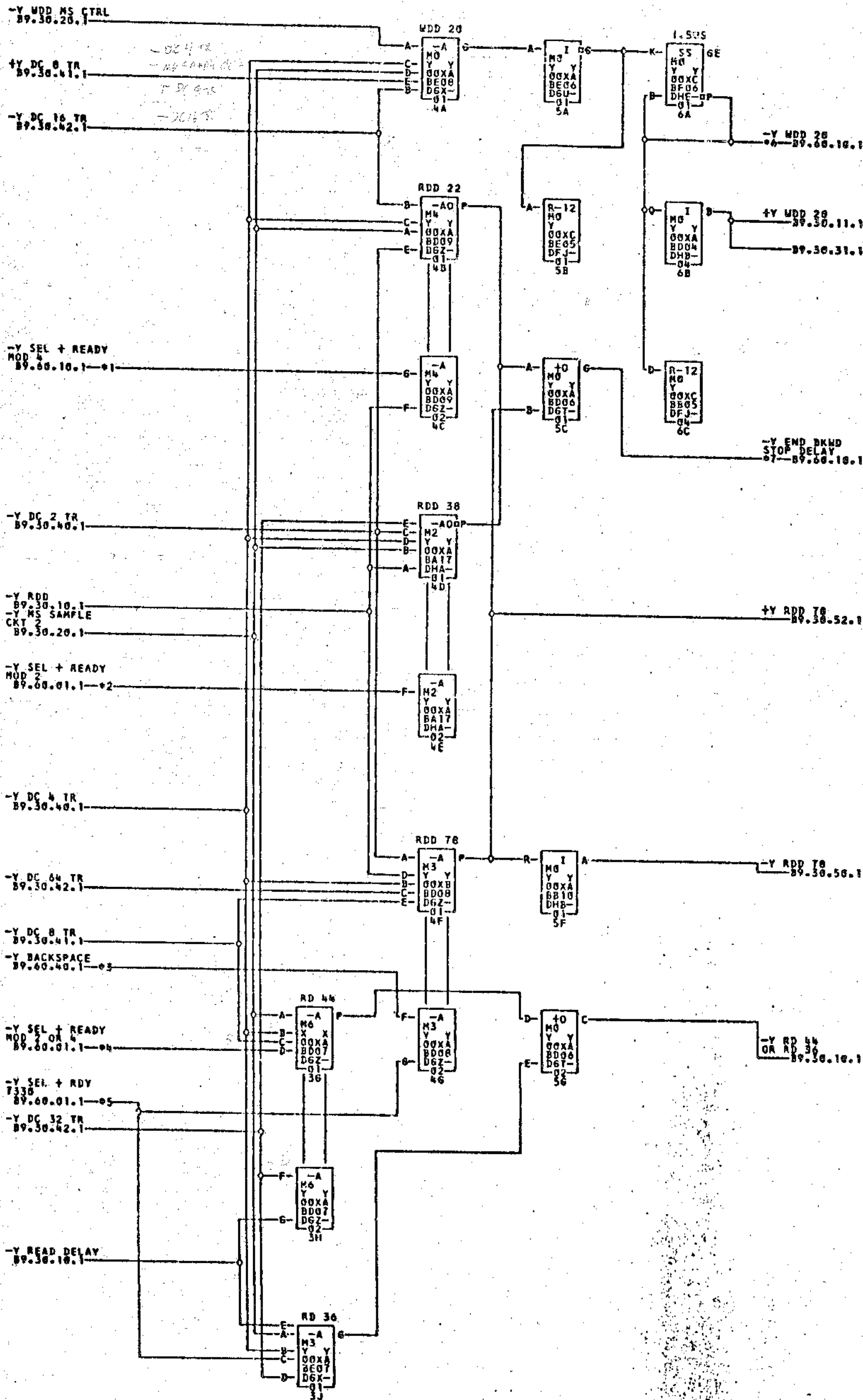
TAG D.

B 14.12.

TA 1678

C 12.3.1

TA 1775



\*1-00XBAG11  
\*7-00XBAG1F

\*2-00XBAG1K

\*3-00XBAG1C

\*4-00XBAG1D

\*5-00XBAG1A

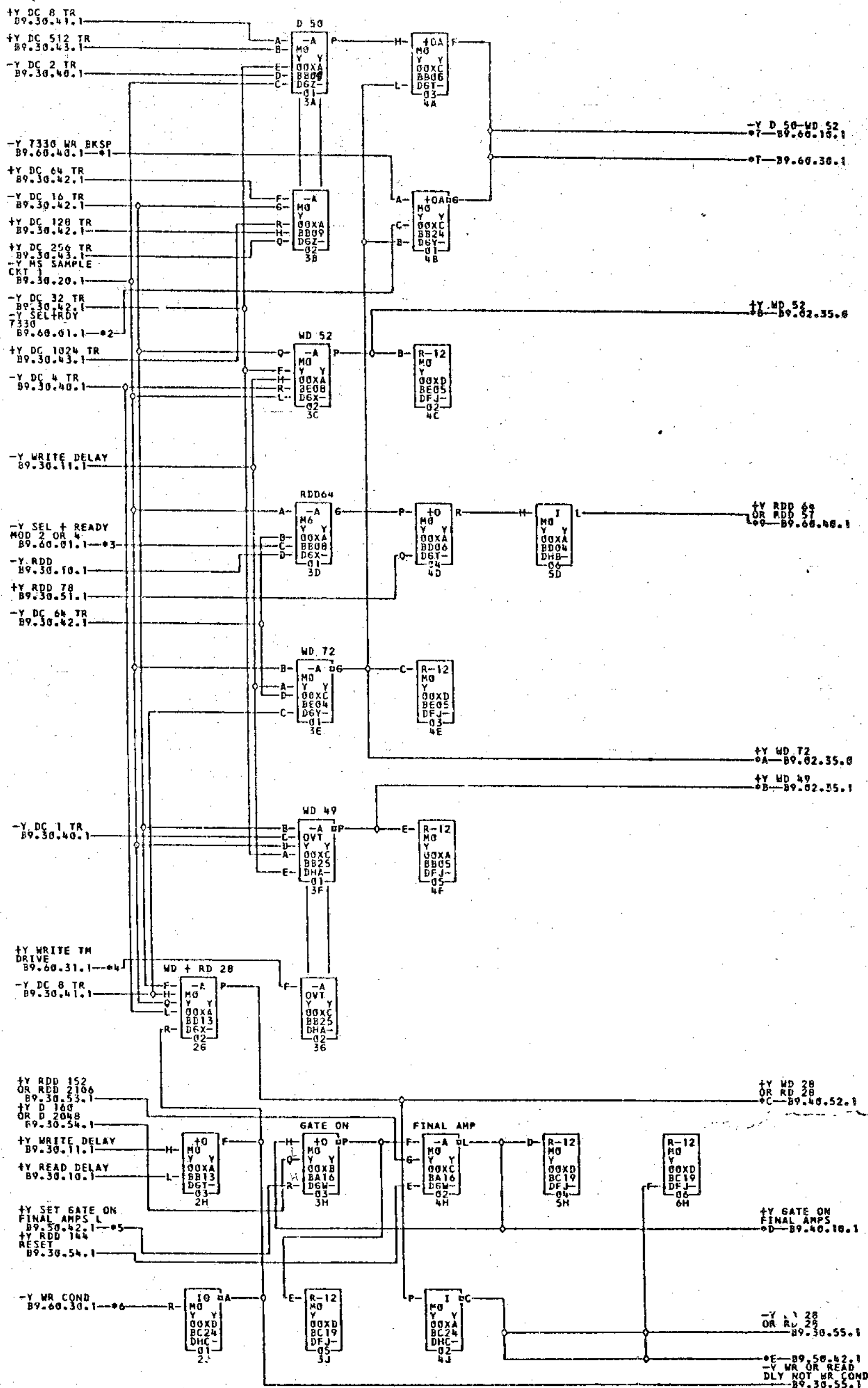
\*6-00XBAG1N

QC / 0283 1201  
00XB 1454 1410

COMMENTS

TAG	DATE	E.C.NO.	TAG	DATE	E.C.NO.	TAG	DATE	E.C.NO.
A	11-30-61	113620	B	10-03-62	116234	C	12-13-62	102

805534



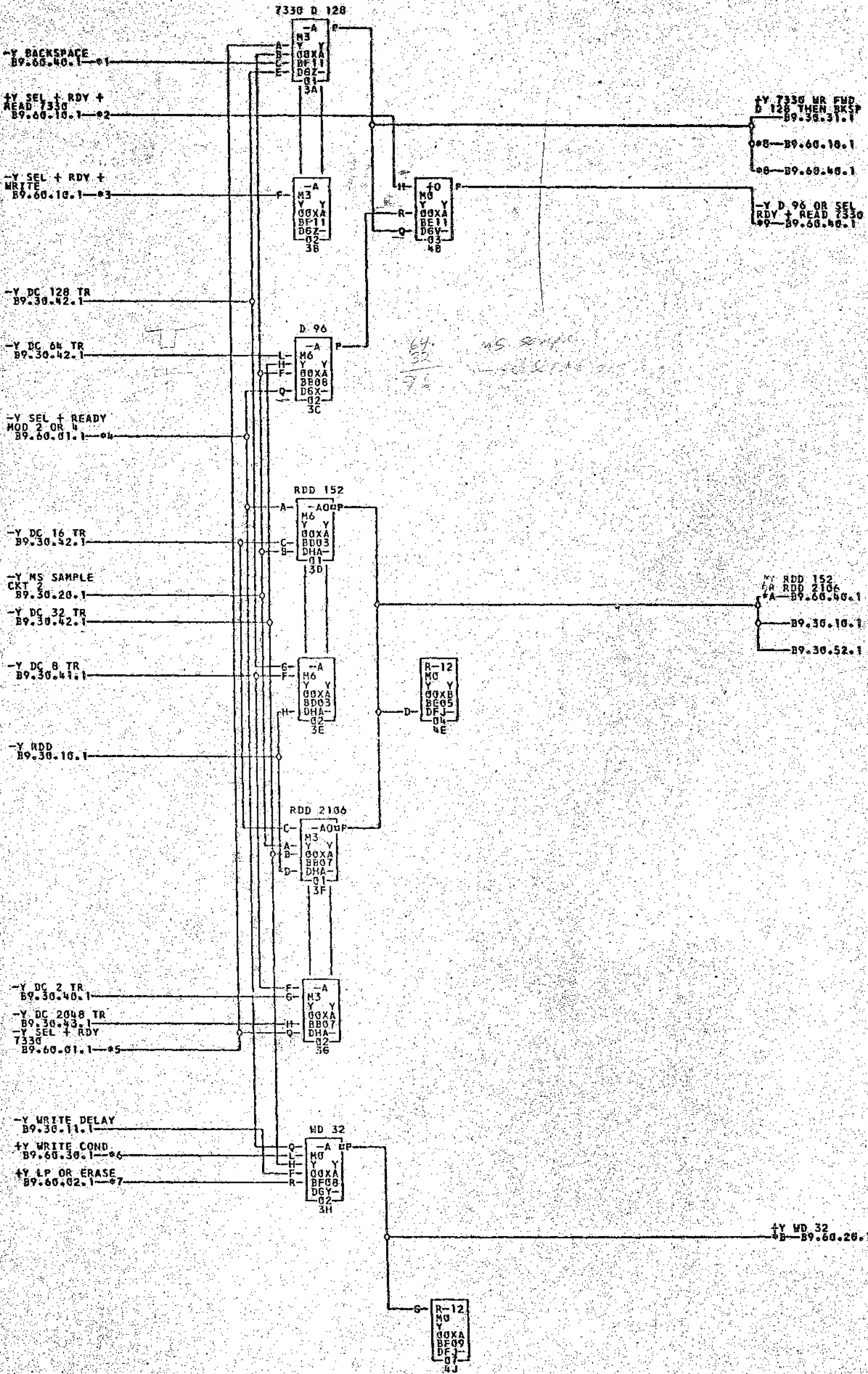
- \*1--00XB01N      \*2--00XBA01A      \*3--00XBA01D      \*4--00XBB01D      \*5--00XEF016      \*6--00XBA01H
- \*7--00XBD01P      \*8--00XBC02B      \*9--00XBC01L      \*A--00XBC02C      \*B--00XEC02R      \*C--00XBF01E
- \*D--00X2F01D

DCXB 0283 1401  
00XB 1404 1410

COMMENTS

TAG DATE F.C.NO. TAG DATE F.C.NO. TAG DATE F.C.NO. TAG DATE F.C.NO.  
A 11-30-61 113420 B 01-26-62 113640 C 10-17-62 116234 D 12-13-62 1161492

805555



- \*1-00XBADIC
- \*2-00XBEDIC
- \*3-00XBBOIL
- \*4-00XBAGID
- \*5-00XEAGIA
- \*6-00XBDOIE
- \*7-00XBEDIA
- \*8-00XBDOIA
- \*9-00XBCCIR
- \*A-00XBAGID
- \*B-00XBEGIF

00XB 0203 1401  
00XB 1404 1410

COMMENTS

TAG DATE	E.C.NO.	TAG DATE	E.C.NO.	TAG DATE	E.C.NO.	TAG DATE	E.C.NO.
A 11-30-61	113420	B 12-13-62	116790C				

005556

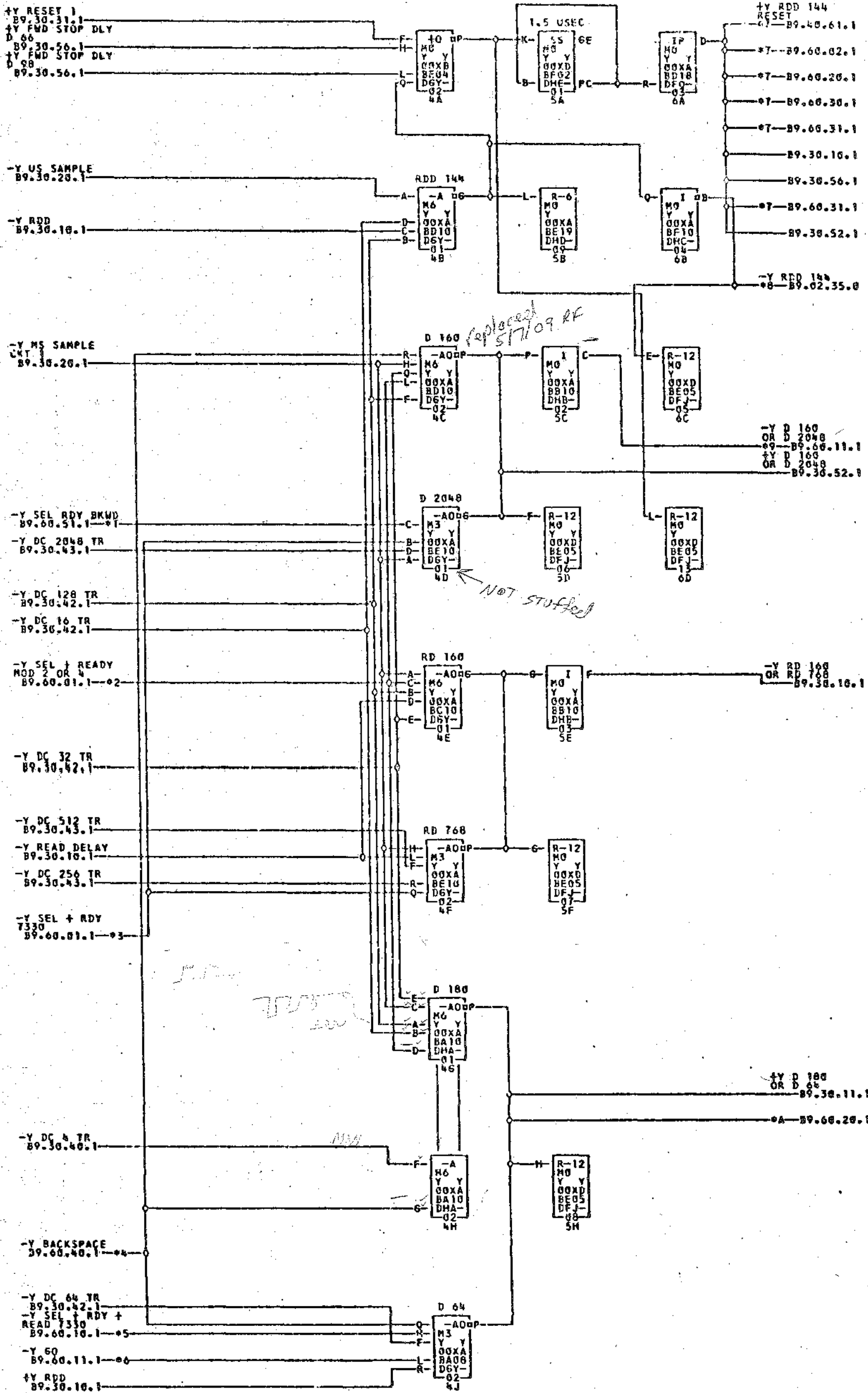
060557

DELAY COUNTER GATING

TAU 9

89.30.54.1

TAIG DATE



C 14.12.62  
 TA 1678A  
 D 12.3.63  
 TA 1775

- \*1-00XBAD1E
- \*2-00XBAD1D
- \*3-00XBAD1A
- \*4-00XBAD1C
- \*5-00XEED1L
- \*6-00XBED1E
- \*7-00XBAD1H
- \*8-00XBAD0E
- \*9-00XBAD1H
- \*A-00XBAD1B

00XB 02B3 :01  
 00XB 1404 :10

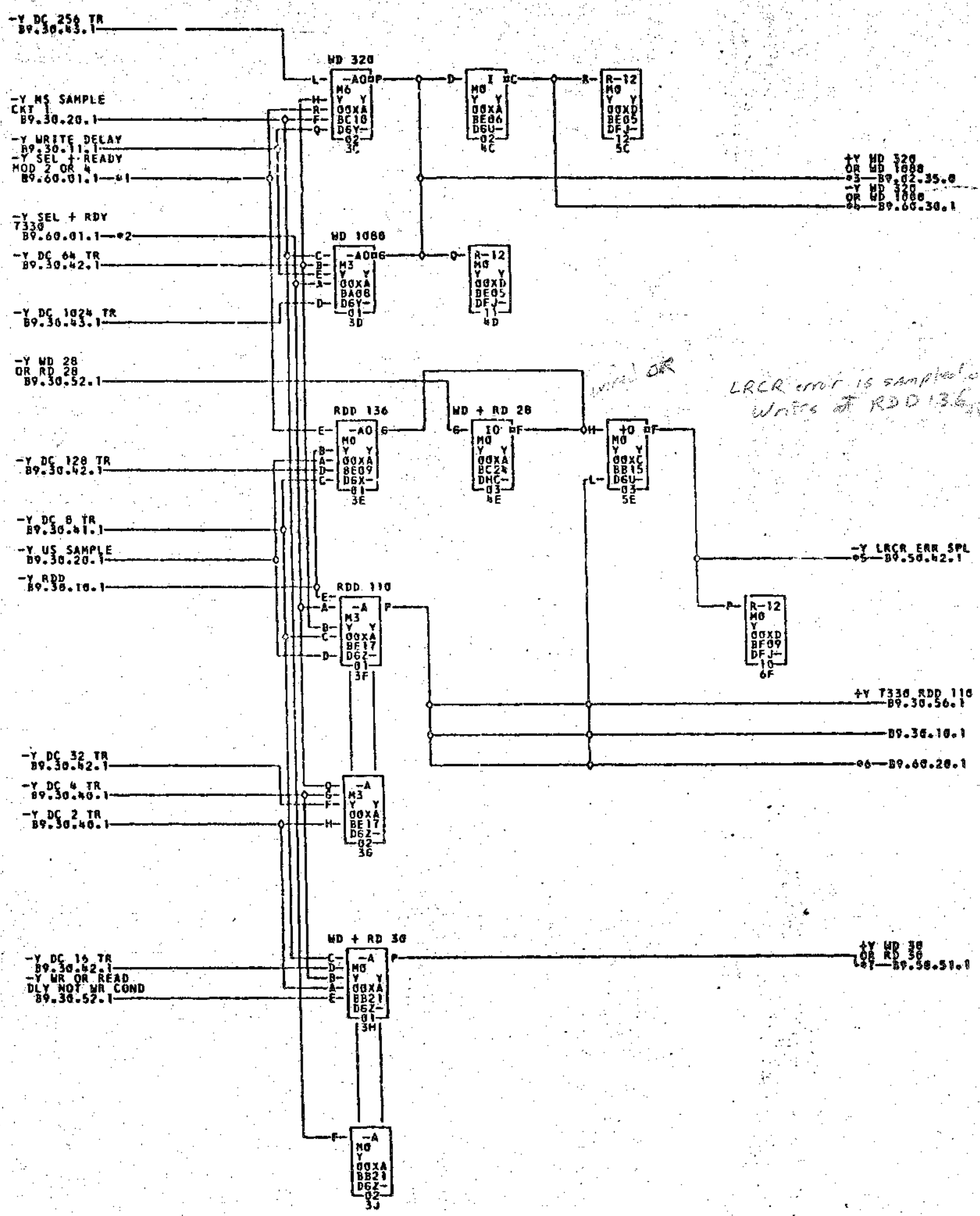
COMMENTS

TAG DATE FIC NO. TAG DATE FIC NO.  
 A 11-30-61 113420 D 05-18-62 115310

TAG DATE FIC NO. TAG DATE FIC NO.  
 C 10-03-62 116236

DATE FIC NO.  
 12-13-62 118749C

060557



- \*1-00XBAD1D
- \*2-00XBA01A
- \*3-00XBC02D
- \*4-00XBB01M
- \*5-00XBE02C
- \*6-00XBE01Q

00XB 0283 1401  
00XB 1436 1418

COMMENTS

TAG DATE FIC NO TAG DATE FIC NO TAG DATE FIC NO TAG DATE FIC NO  
A 11-30-61 F13520 B 01-26-62 F13640 C 10-11-62 F16236 D 12-13-62 F167402

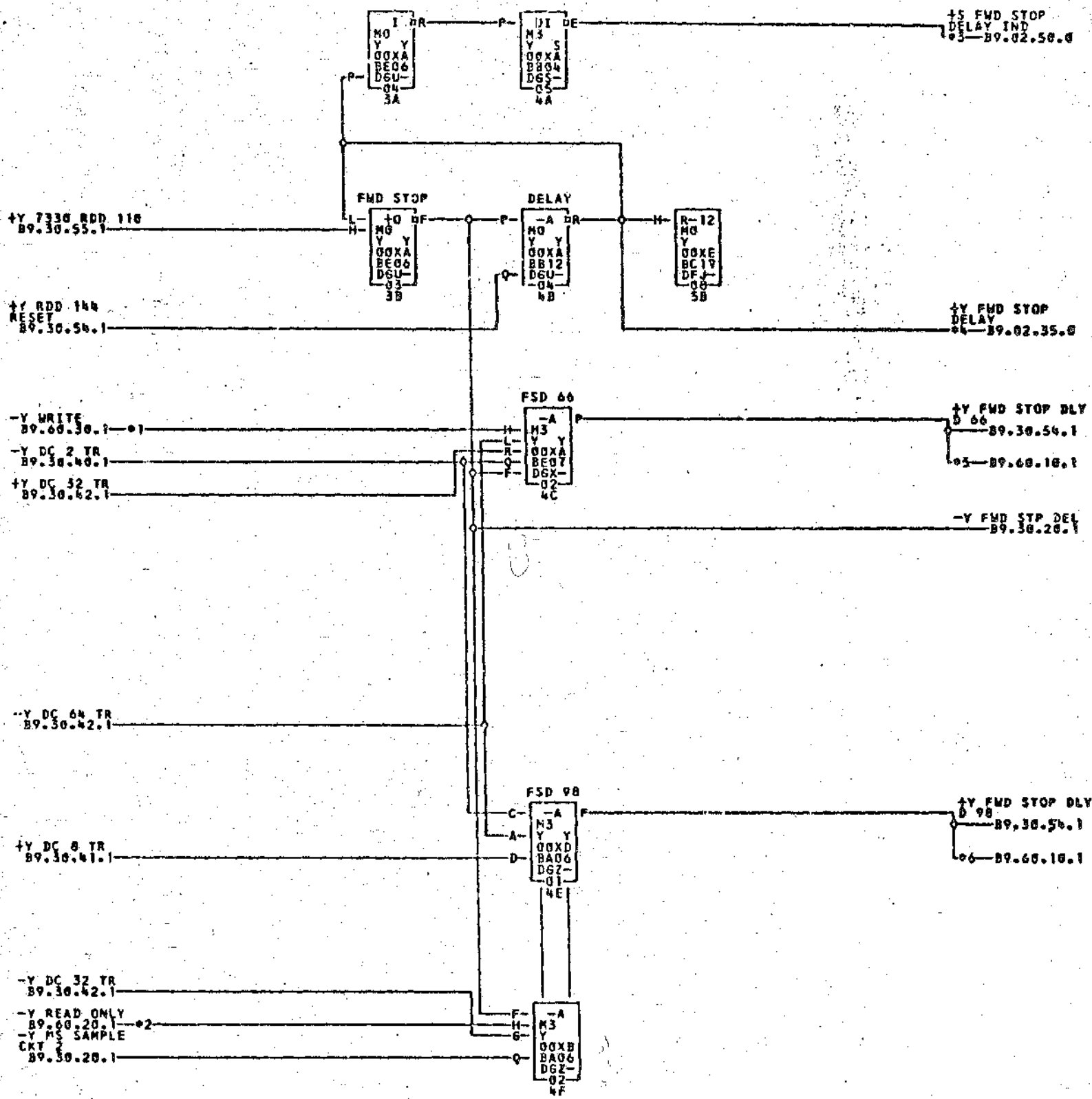
805558

D 14.12.62

TA 1679A

E 12.3.63

TA 1775



\*1-00XBA01B

\*2-00XBE01D

\*3-00XBB02L

\*4-00XDC02K

\*5-00XBD01K

\*6-00XBD01M

805559

00XB 02B3 1401  
00XB 1404 1410

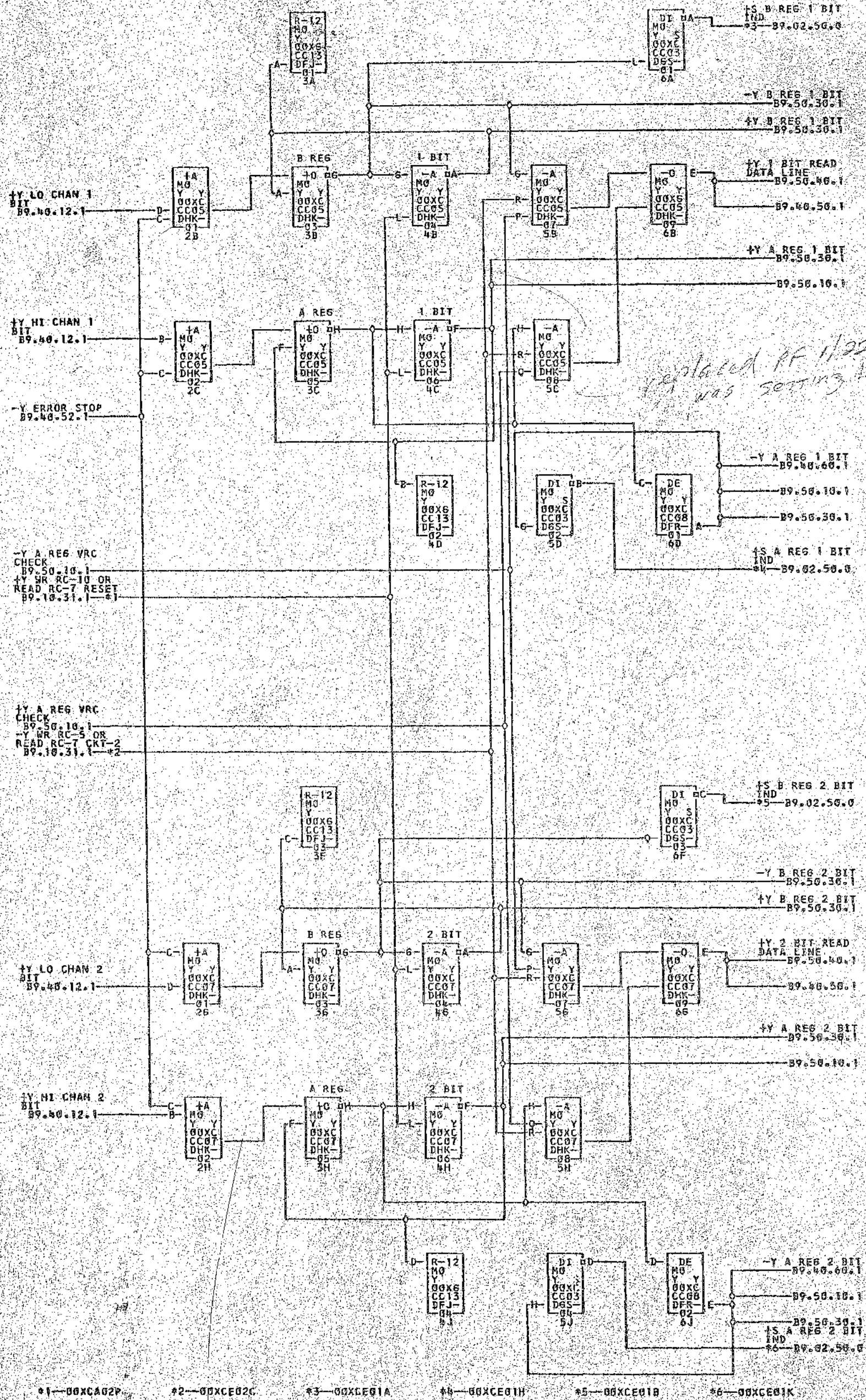
COMMENTS

TAG DATE	F.C.NO.	TAG DATE	F.C.NO.	TAG DATE	F.C.NO.	TAG DATE	F.C.NO.
A 11-30-61	113420	B 01-26-62	113840	C 05-15-62	115304	D 10-03-62	116236
E 12-13-62	116749C						







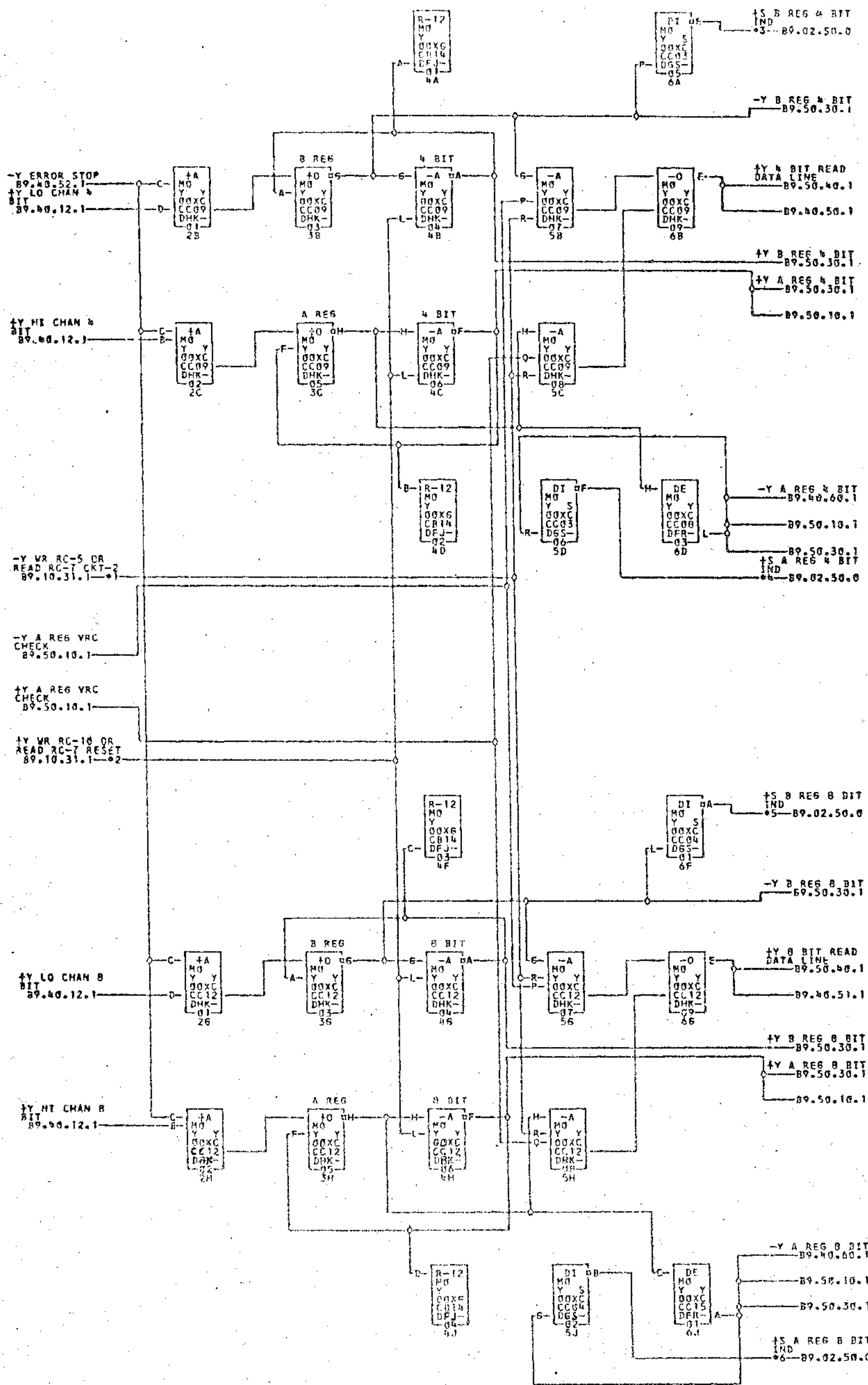


*replaced PF 1/22/09  
was setting to te*

- \*1--00XCA02P
- \*2--00XCE02C
- \*3--00XCE01A
- \*4--00XCE01H
- \*5--00XCE01B
- \*6--00XCE01K

AG	DATE	F.C.NO.	AG	DATE	F.C.NO.	AG	DATE	F.C.NO.	AG	DATE	F.C.NO.
	11-16-60	109350E		12-14-60	109355		01-05-61	109364		01-23-61	109385
	03-29-61	110435		04-12-61	110440		12-14-62	116749D			

0761265



\*1--00XGE02C

\*2--00XCA02P

\*3--00XCF01C

\*4--00XCE01L

\*5--00XCE01D

\*6--00XCE01H

761266  
1775

1401 1410  
00XC 02B4 1426

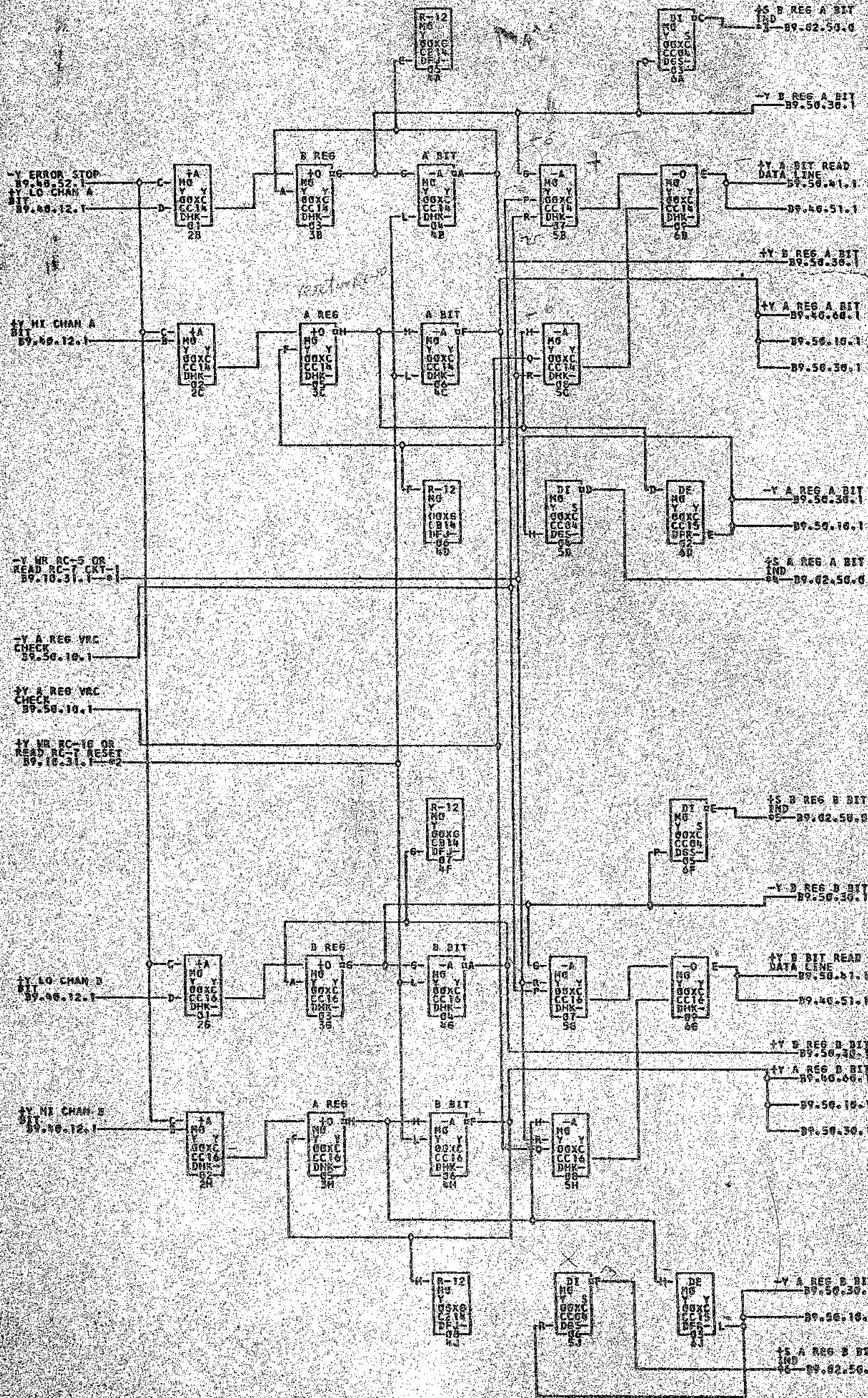
COMMENTS

TAG DATE E.C.NO.  
A 11-18-61 109308L  
E 03-28-61 110435

TAG DATE E.C.NO.  
B 12-14-61 109355  
F 04-12-61 110460

TAG DATE E.C.NO.  
C 01-05-61 109364  
G 12-14-62 116740D

TAG DATE E.C.NO.  
D 01-23-61 109385



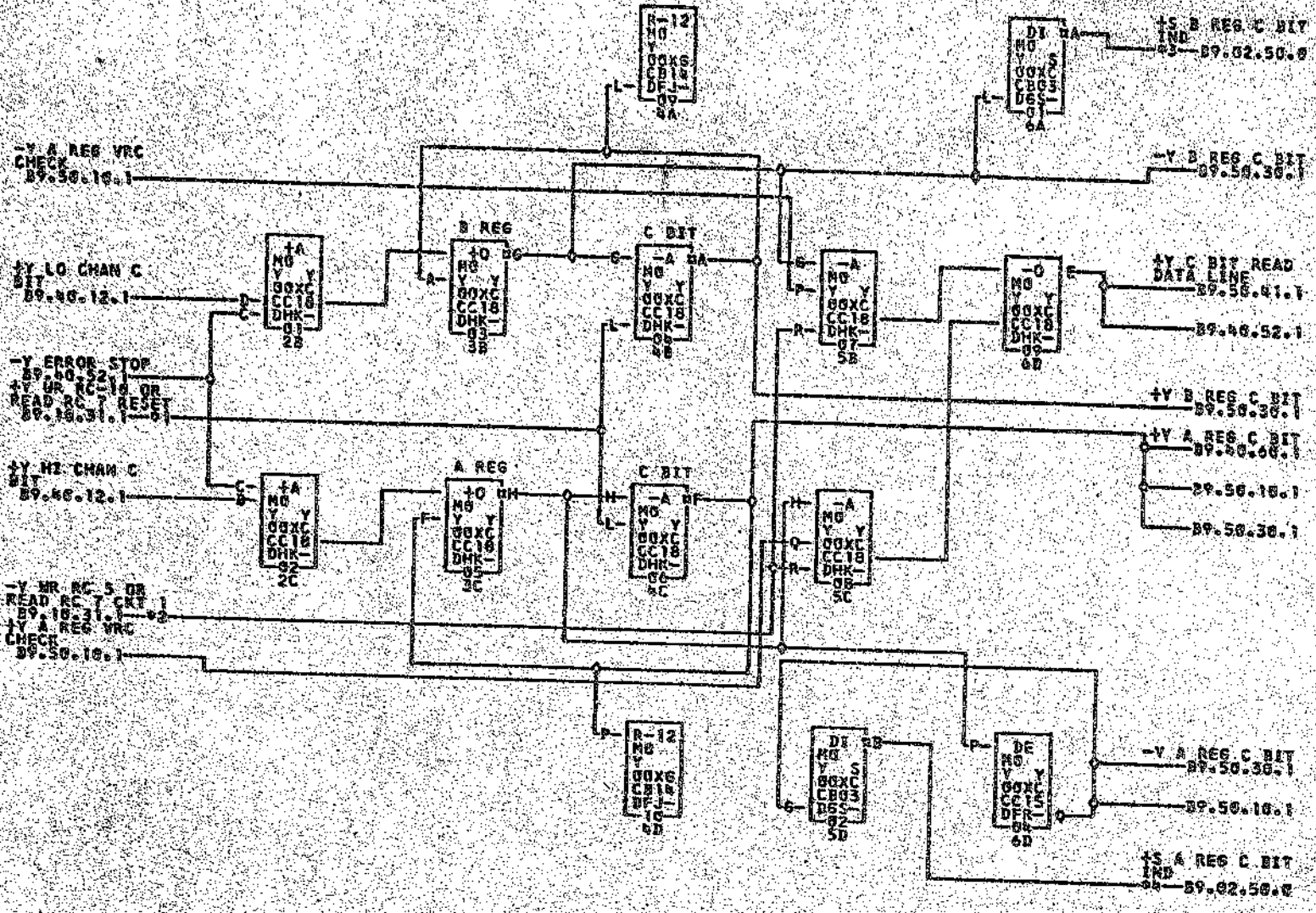
#1-00XCAG2D    #2-00XCAG2P    #3-00XCAG2E    #4-00XCAG2N    #5-00XCAG2F    #6-00XCAG2P

89.40.22.1  
89.40.22.1

COMMENTS

TAG DATE    TAG NO.    TAG DATE    TAG NO.    TAG DATE    TAG NO.    TAG DATE    TAG NO.    TAG DATE    TAG NO.

761267

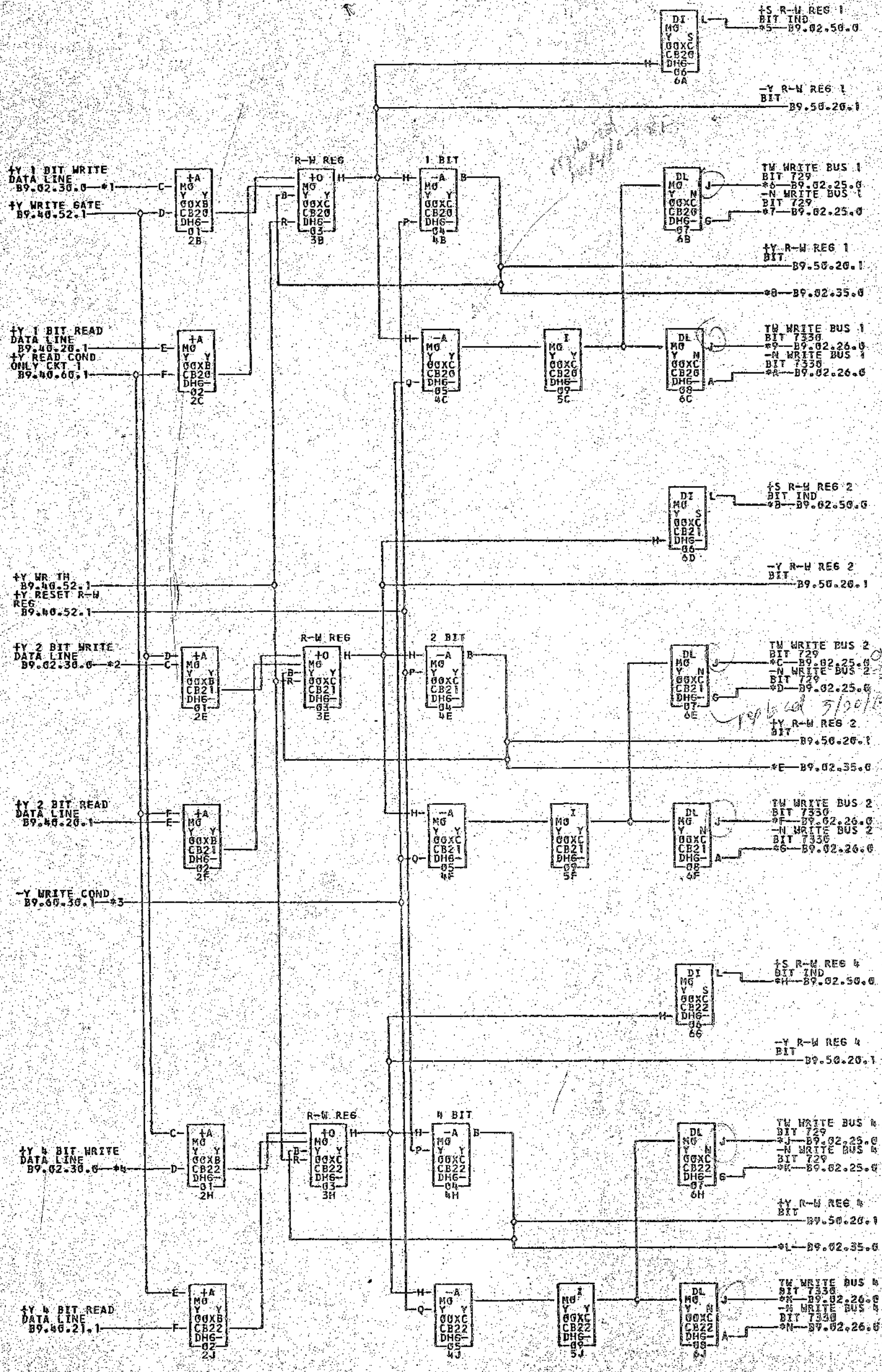


- 01--00XC62P
- 02--00XC62D
- 03--00XC610
- 04--00XC610

DATE 1962 1012 COMMENTS

DATE 1962 1012 DATE 1962 1012 DATE 1962 1012 DATE 1962 1012

761268



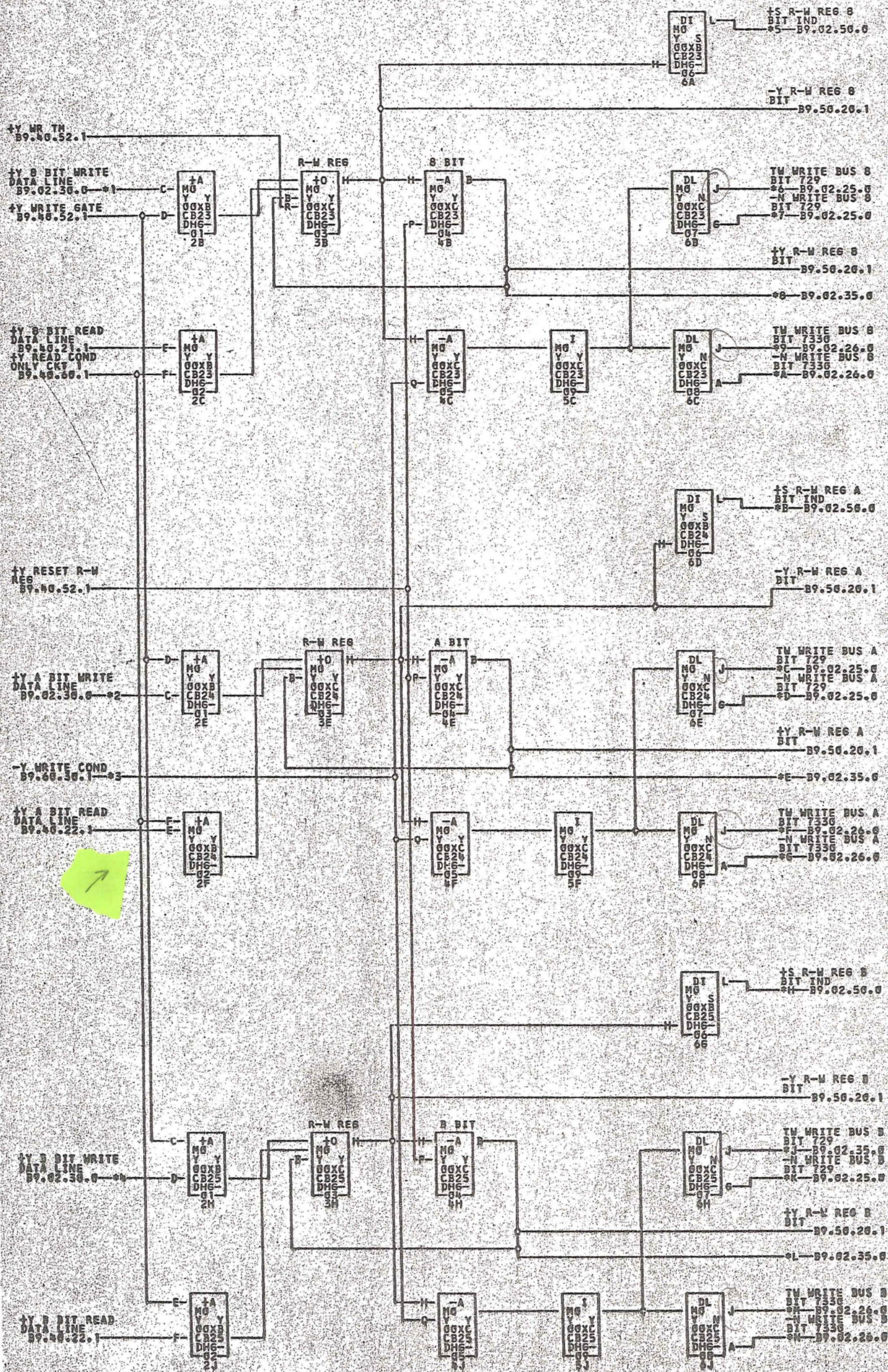
*Handwritten note:* J is shield ground

*Handwritten note:* replaced 5/20/60 RF

- \*1-00XC02A
- \*2-00XC02B
- \*3-00XC02F
- \*4-00XC02C
- \*5-00XC01A
- \*6-00XC02A
- \*7-00XC02B
- \*8-00XC01A
- \*9-00XC01A
- \*A-00XC01B
- \*B-00XC01B
- \*C-00XC02C
- \*D-00XC02D
- \*E-00XC01B
- \*F-00XC01C
- \*G-00XC01D
- \*H-00XC01C
- \*I-00XC02E
- \*K-00XC02F
- \*L-00XC01C
- \*M-00XC01E
- \*N-00XC01F

COMMENTS: 1401 140 1406  
 TAG DATE E.C.NO. TAG DATE E.C.NO. TAG DATE E.C.NO. TAG DATE E.C.NO.  
 A 11-16-60 109350E B 01-05-61 109364 C 01-23-61 109385 D 12-14-62 116749D

761269



JIS shield  
removed

- 21-00XC002D
- 22-00XC002E
- 23-00XC002F
- 24-00XC002G
- 25-00XC002H
- 26-00XC002I
- 27-00XC002J
- 28-00XC002K
- 29-00XC002L
- 30-00XC002M
- 31-00XC002N
- 32-00XC002O
- 33-00XC002P
- 34-00XC002Q
- 35-00XC002R
- 36-00XC002S
- 37-00XC002T
- 38-00XC002U
- 39-00XC002V
- 40-00XC002W
- 41-00XC002X
- 42-00XC002Y
- 43-00XC002Z
- 44-00XC002A
- 45-00XC002B
- 46-00XC002C
- 47-00XC002D
- 48-00XC002E
- 49-00XC002F
- 50-00XC002G
- 51-00XC002H
- 52-00XC002I
- 53-00XC002J
- 54-00XC002K
- 55-00XC002L
- 56-00XC002M
- 57-00XC002N
- 58-00XC002O
- 59-00XC002P
- 60-00XC002Q
- 61-00XC002R
- 62-00XC002S
- 63-00XC002T
- 64-00XC002U
- 65-00XC002V
- 66-00XC002W
- 67-00XC002X
- 68-00XC002Y
- 69-00XC002Z
- 70-00XC002A
- 71-00XC002B
- 72-00XC002C
- 73-00XC002D
- 74-00XC002E
- 75-00XC002F
- 76-00XC002G
- 77-00XC002H
- 78-00XC002I
- 79-00XC002J
- 80-00XC002K
- 81-00XC002L
- 82-00XC002M
- 83-00XC002N
- 84-00XC002O
- 85-00XC002P
- 86-00XC002Q
- 87-00XC002R
- 88-00XC002S
- 89-00XC002T
- 90-00XC002U
- 91-00XC002V
- 92-00XC002W
- 93-00XC002X
- 94-00XC002Y
- 95-00XC002Z
- 96-00XC002A
- 97-00XC002B
- 98-00XC002C
- 99-00XC002D
- 00-00XC002E
- 01-00XC002F
- 02-00XC002G
- 03-00XC002H
- 04-00XC002I
- 05-00XC002J
- 06-00XC002K
- 07-00XC002L
- 08-00XC002M
- 09-00XC002N
- 10-00XC002O
- 11-00XC002P
- 12-00XC002Q
- 13-00XC002R
- 14-00XC002S
- 15-00XC002T
- 16-00XC002U
- 17-00XC002V
- 18-00XC002W
- 19-00XC002X
- 20-00XC002Y
- 21-00XC002Z

00XC 1991 1818 COMMENTS

TAG DATE	FAC NO	TAG DATE	FAC NO	TAG DATE	FAC NO	TAG DATE	FAC NO
A 11-16-60	F09350E	A 01-05-61	F06320	A 01-05-61	F06300	A 12-15-62	F161400

761270

1775





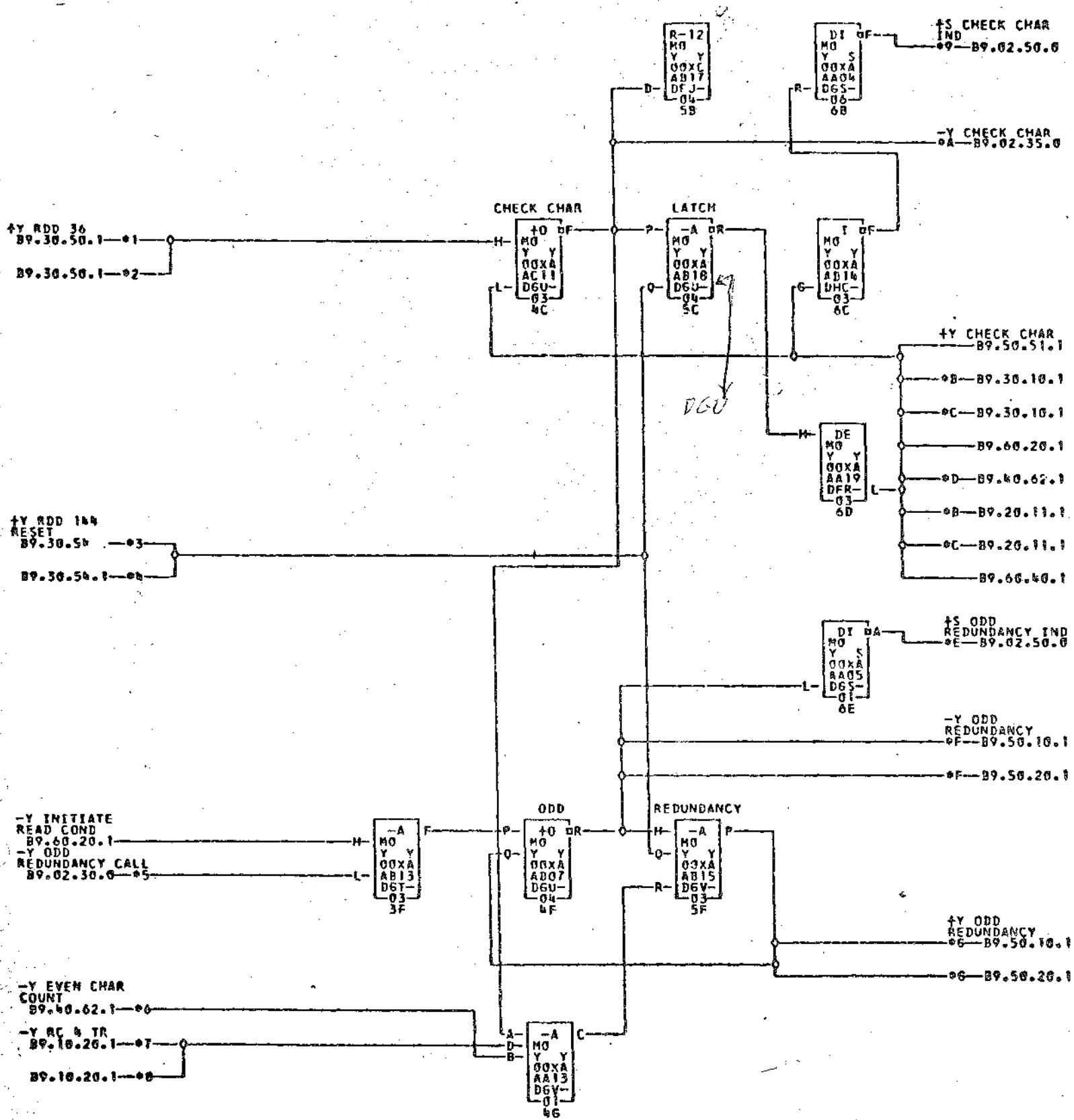


B 14.12.62

TA 1678A

C 16.4.63

TA 1815A



\*1-00XAC01M  
 \*7-00XAF02M  
 \*D-00XAF01K

\*2-00XAC26N  
 \*0-00XAE26M  
 \*I-00XAA02B

\*3-00XAC01M  
 \*9-00XAA02A  
 \*F-00XAF01H

\*4-00XAC26M  
 \*A-00XAC02C  
 \*6-00XAF01E

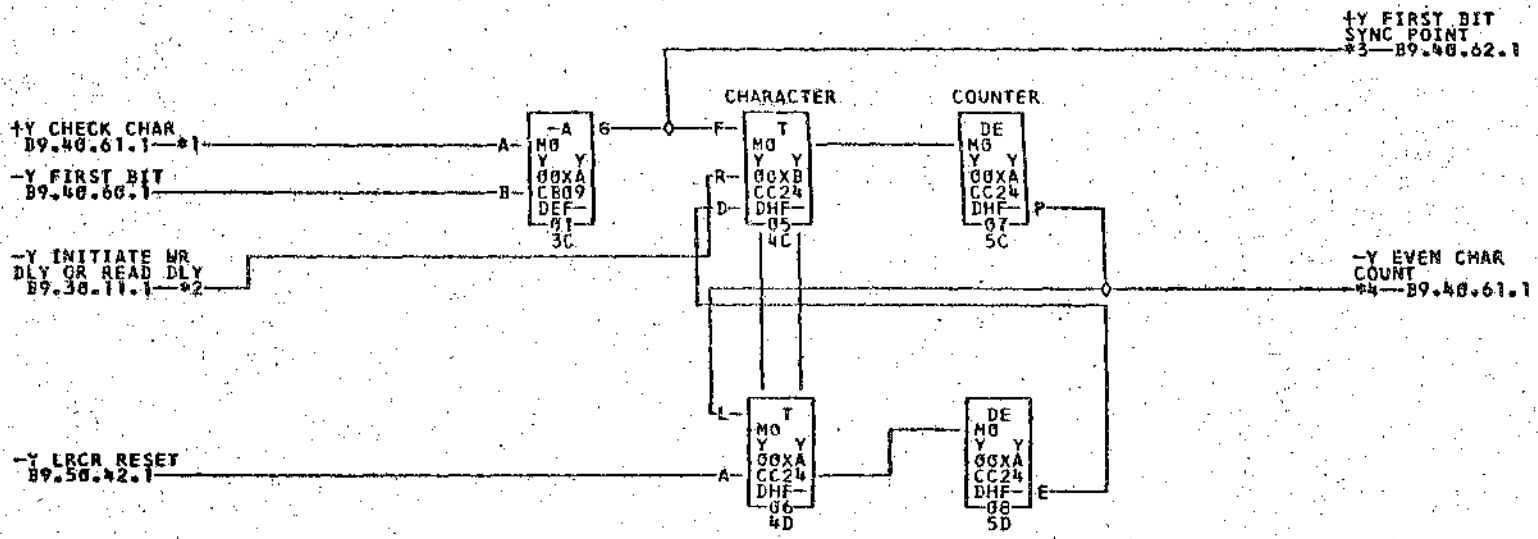
\*5-00XAC02L  
 \*B-00XAA01R  
 \*C-00XAA26R

\*6-00XAF01L  
 \*C-00XAA26R

729197

A 17.10.61  
TA 37927A

B 12.3.63  
TA 1775



- \*1—00XC01K
- \*2—00XCE02H
- \*3—00XCB096
- \*4—00XCC01L

00XC 1203 0205  
00XC 1210 1406

COMMENTS

TAG DATE	E.C.NO.	TAG DATE	E.C.NO.	TAG DATE	E.C.NO.	TAG DATE	E.C.NO.
A 00-04-61	112226	B 12-14-62	115749D				

723489

0761273

READ A REG VRC

TAU 9

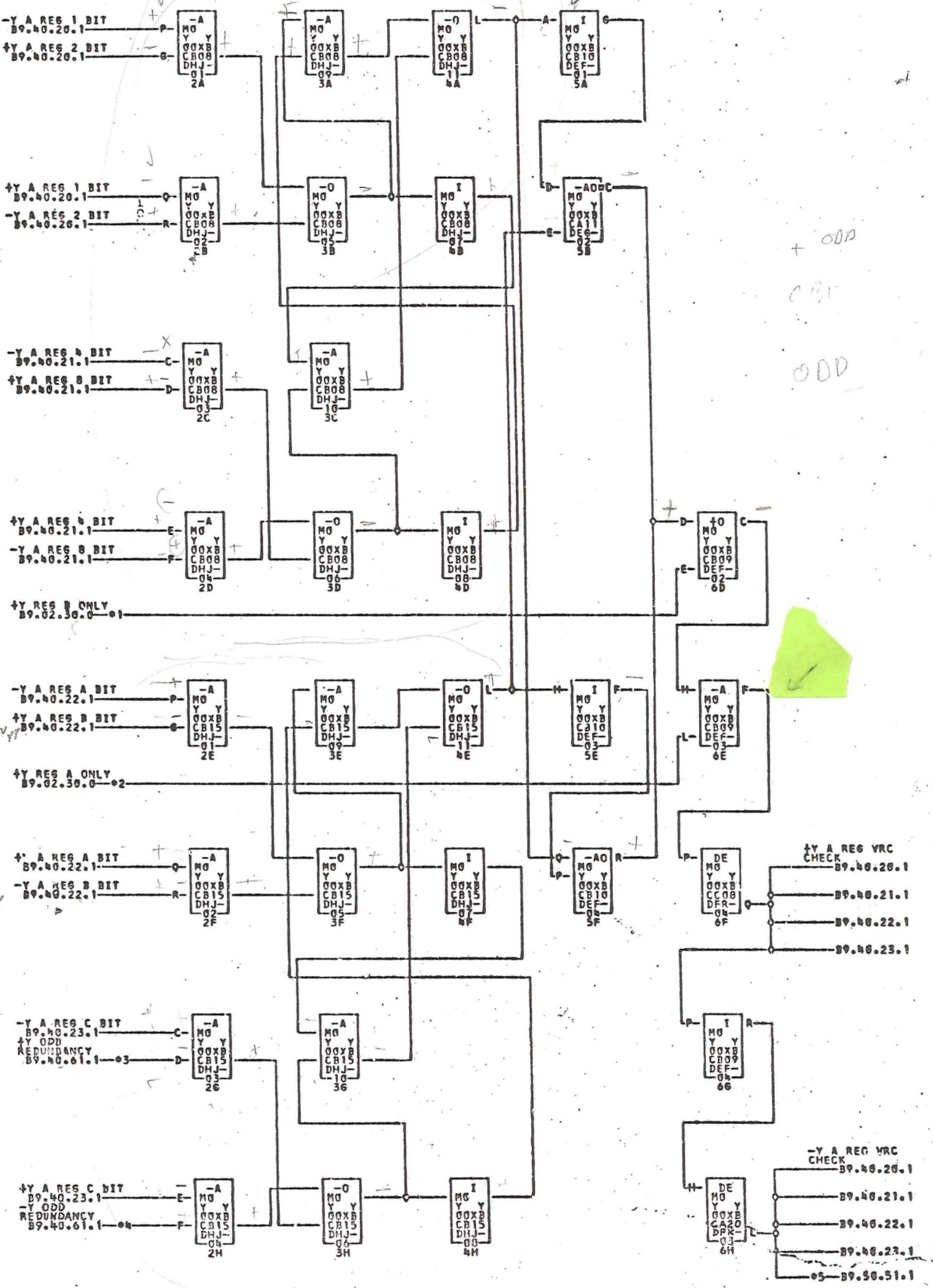
B9.50.10.1

TAG DATE

D 15.6.61  
TA 37873A  
E 12.3.63  
TA 1775

*rep mod 5/20/70  
RF*

*+ ODD  
CBT  
ODD*



- \*1-00XC01K
- \*2-00XC01L
- \*3-00XC016
- \*4-00XC01H
- \*5-00XC01D

*CB08  
CB15  
CB10  
CA11*

TA6	DATE	E.C.NO.	TA6	DATE	E.C.NO.	TA6	DATE	E.C.NO.	TA6	DATE	E.C.NO.
A	11-16-60	109358E	D	01-05-61	109364	C	01-23-61	109365	D	04-12-61	110640
			E	12-14-62	116749D						

761273

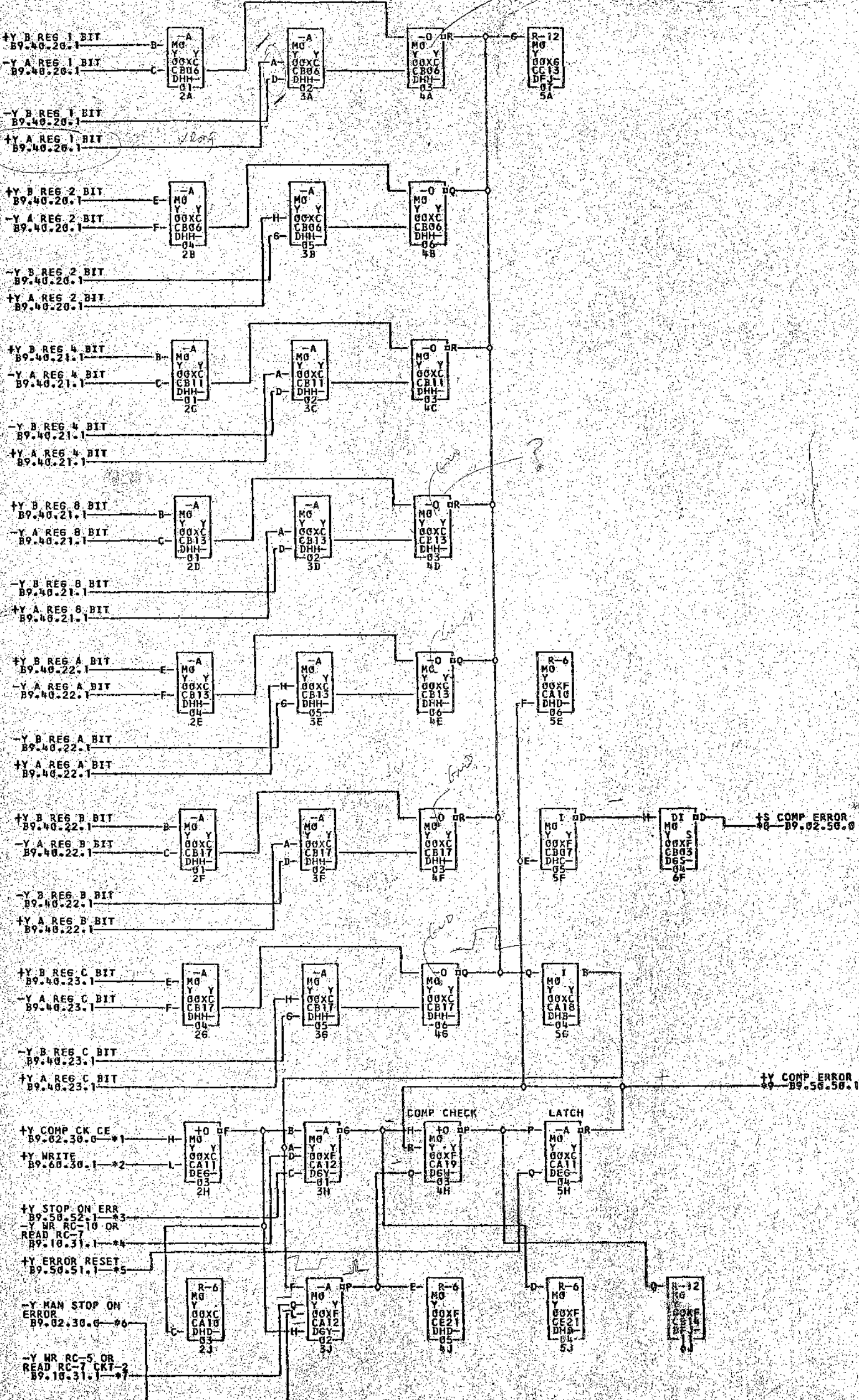


G 22.9.61

TA 37699E

H 12.3.63

TA 1775



- \*1-00XC001H
- \*2-00XC001E
- \*3-00XC001G
- \*4-00XC002A
- \*5-00XC001F
- \*6-00XC002K
- \*7-00XC002D
- \*8-00XC001R
- \*9-00XC001A

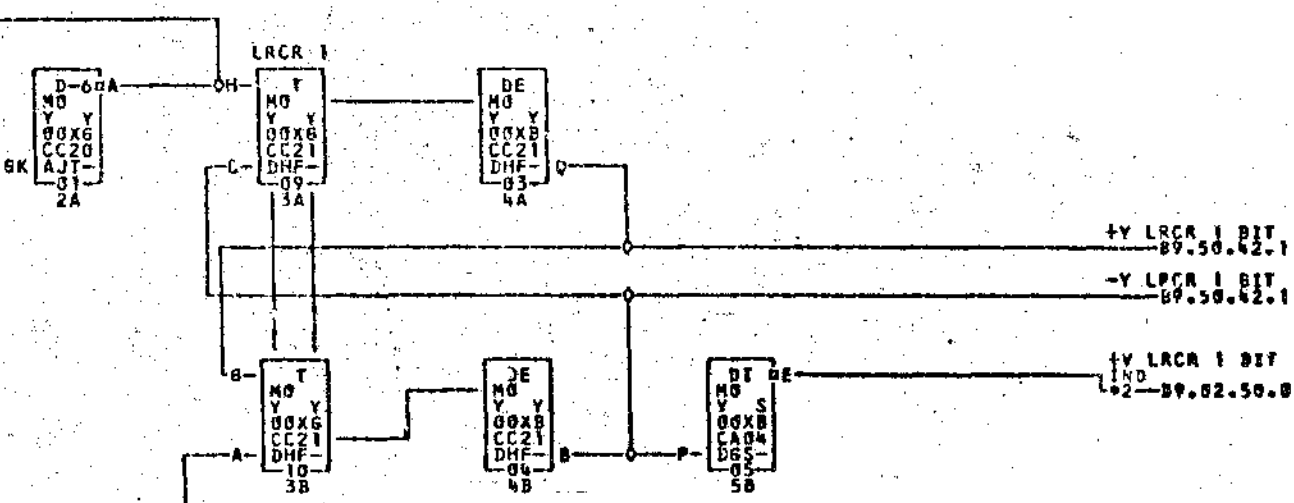
761275 1775

1401 1410  
00XC 02B5 1406

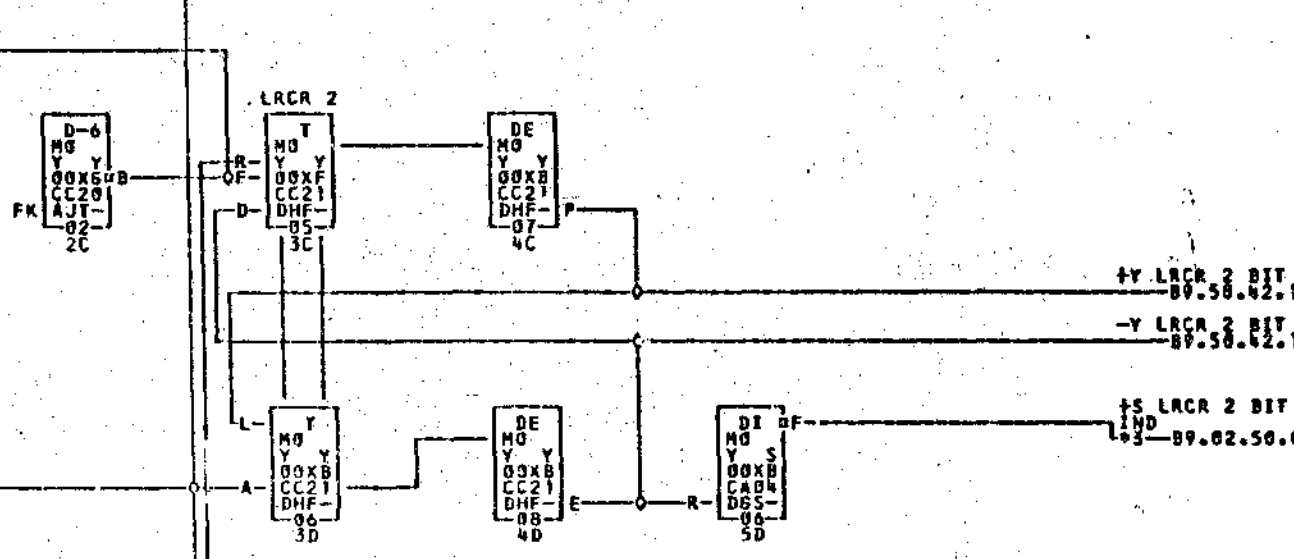
COMMENTS

TAG DATE	E.C. NO.	TAG DATE	E.C. NO.	TAG DATE	E.C. NO.	TAG DATE	E.C. NO.
A 11-16-60	109356E	B 12-14-60	109355	C 01-05-61	109368	D 03-29-61	109355
E 04-12-61	109440	F 05-09-61	109444	G 04-14-61	109448	H 12-14-62	109450

RY 1 BIT READ  
DATA LINE  
B9.40.20.1

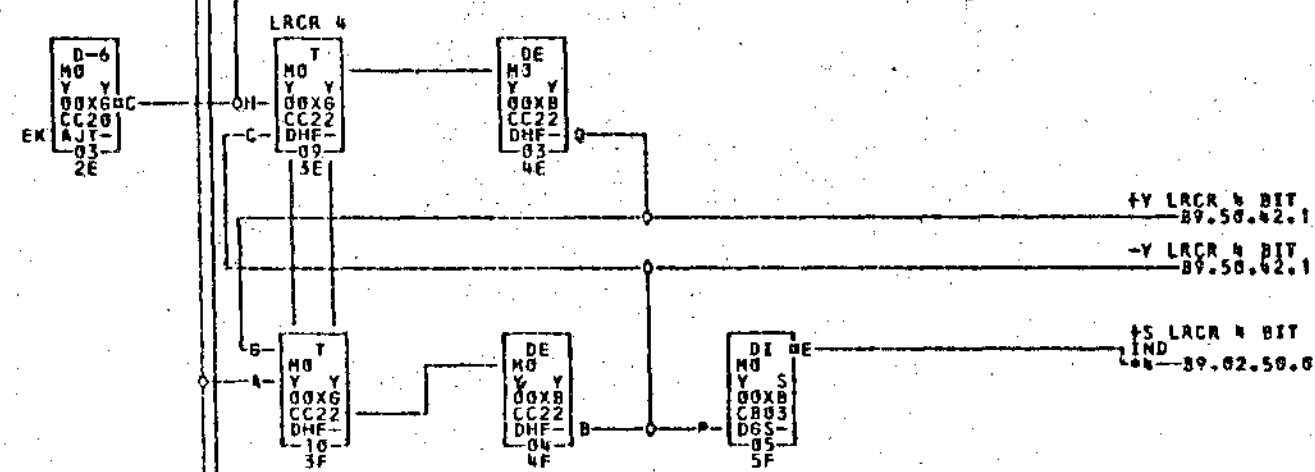


RY 2 BIT READ  
DATA LINE  
B9.40.20.1

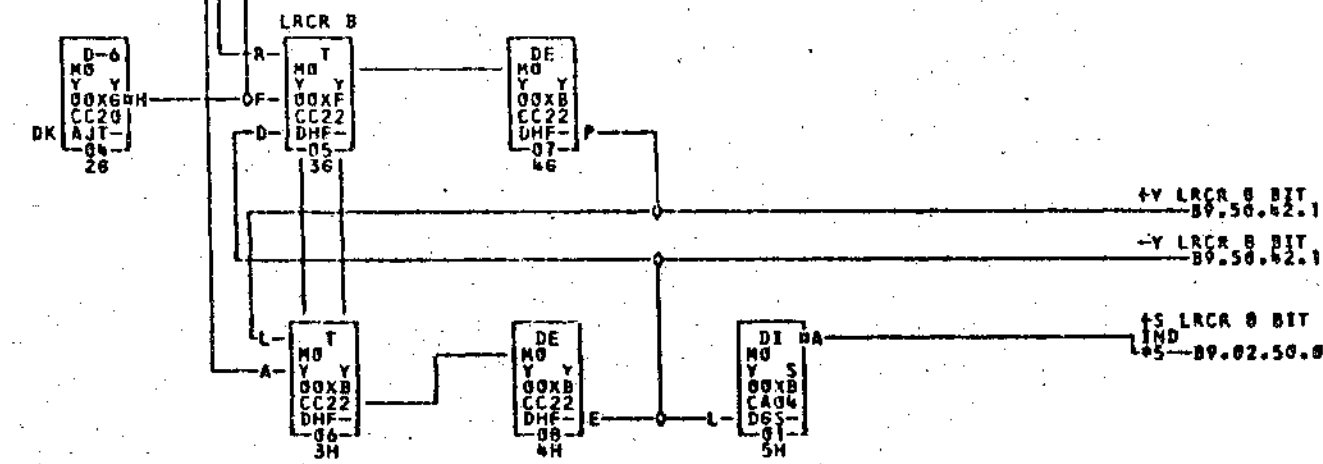


-Y LRCR RESET  
B9.50.42.1

-Y INITIATE WR  
DLY OR READ DLY  
B9.30.11.1  
RY 4 BIT READ  
DATA LINE  
B9.40.21.1



RY 8 BIT READ  
DATA LINE  
B9.40.21.1



\*1-00XC02H

\*2-00XC01H

\*3-00XC01K

\*4-00XC01L

\*5-00XC01M

1401 1410  
00XC 02BN 1406 COMMENTS

TAG DATE	E.C. NO.	TAG DATE	E.C. NO.	TAG DATE	E.C. NO.	TAG DATE	E.C. NO.
A 11-10-60	109350E	B 01-05-61	109304	C 01-22-61	109382	D 04-12-61	110648
E 05-23-61	110447	F 08-04-61	112226	G 12-14-62	116749D		

761276

1775

0761277

LRCR REG PSNS A B AND C BITS

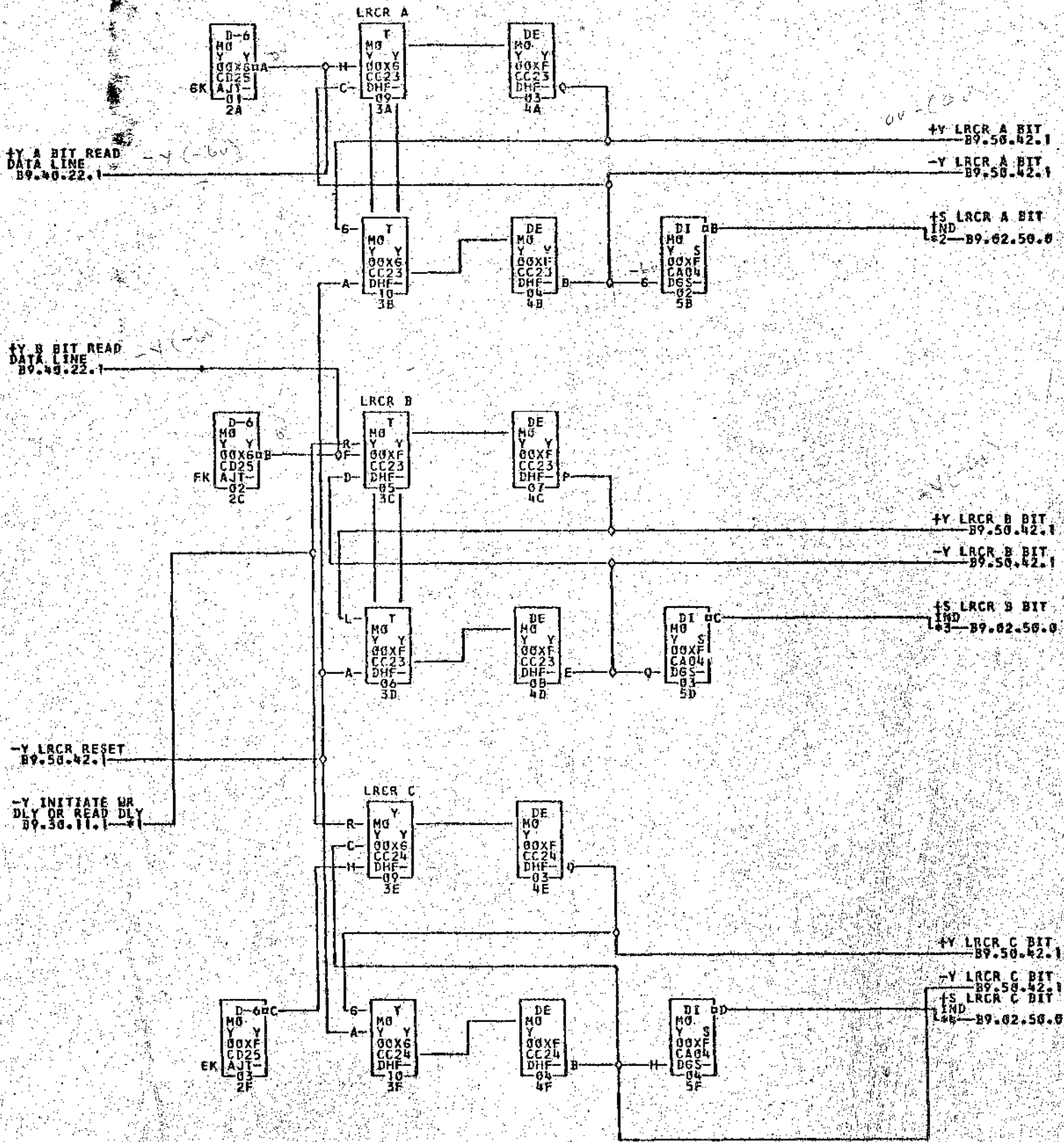
FAU 9

89.50.41.1

TAG DATE

F 17.10.61  
TA 37927A

G 12.3.63  
TA 1775



\*1-00XCCE02H

\*2-00XCAD1H

\*3-00XCAD1P

\*4-00XCAD1Q

1775  
761277

1851 1416  
00XC 0284 1406

COMMENTS

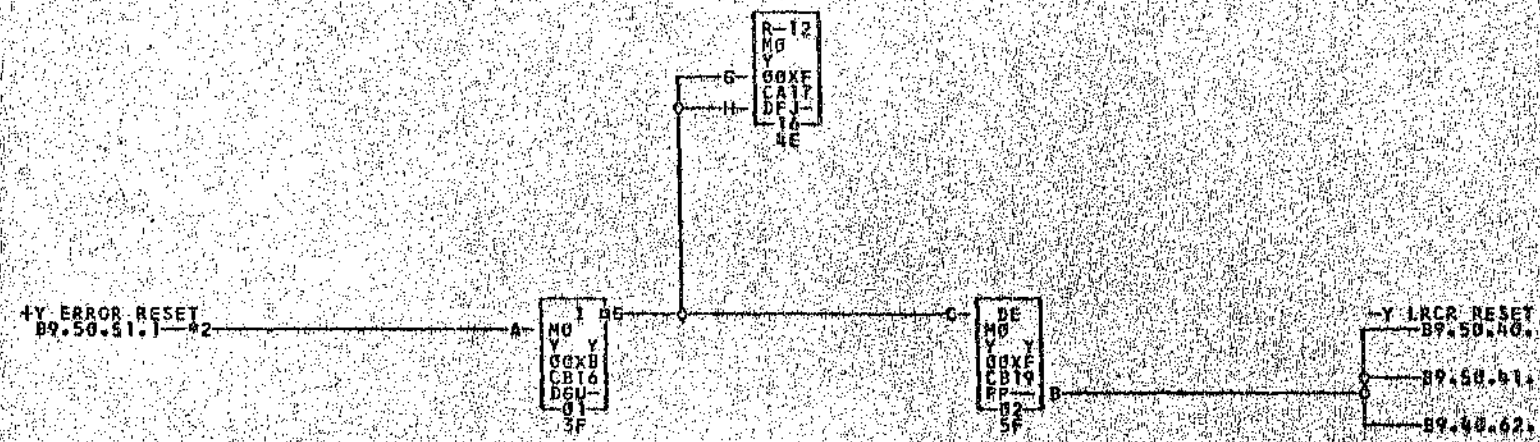
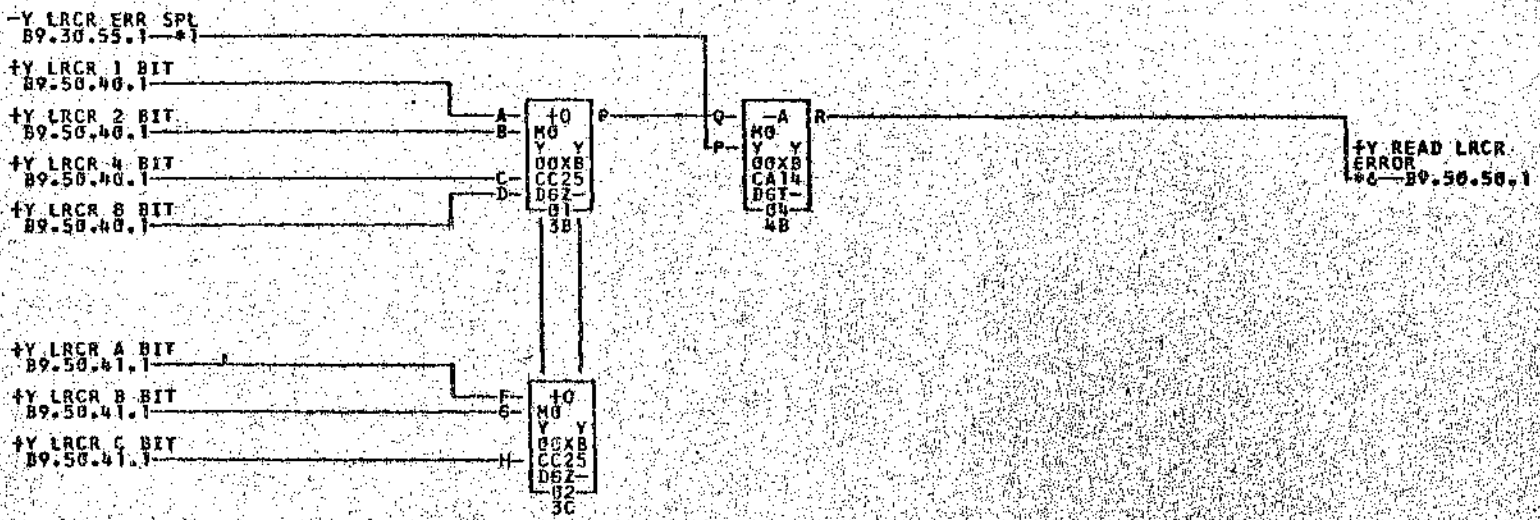
TAG DATE F.C.NO.  
A 11-16-60 109350E  
E 05-23-61 110447

TAG DATE F.C.NO.  
B 01-05-61 109364  
E 08-04-61 112226

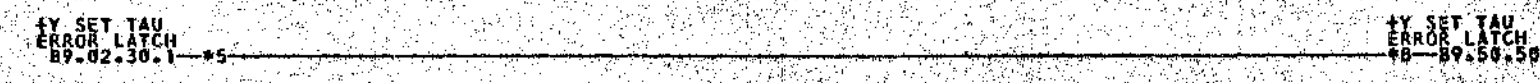
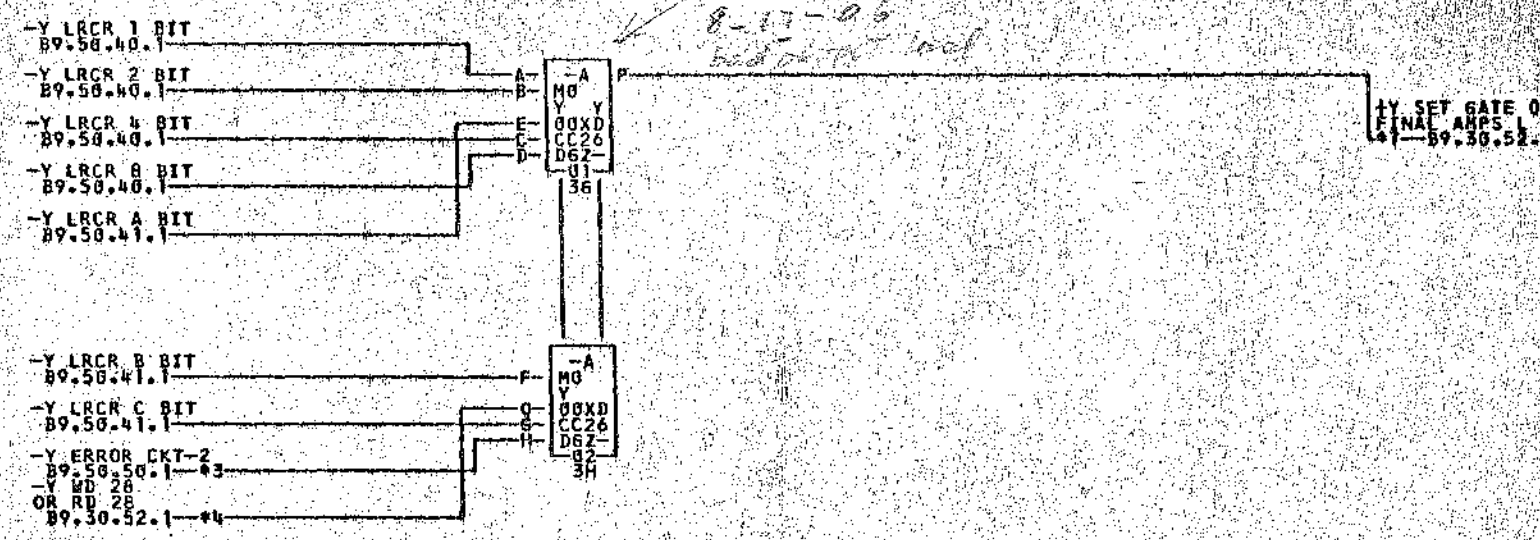
TAG DATE F.C.NO.  
C 01-23-61 109385  
E 12-14-62 116749D

TAG DATE F.C.NO.  
D 04-12-61 110448

E 6.9.62  
TA 1441B  
F 12.3.63  
TA 1775



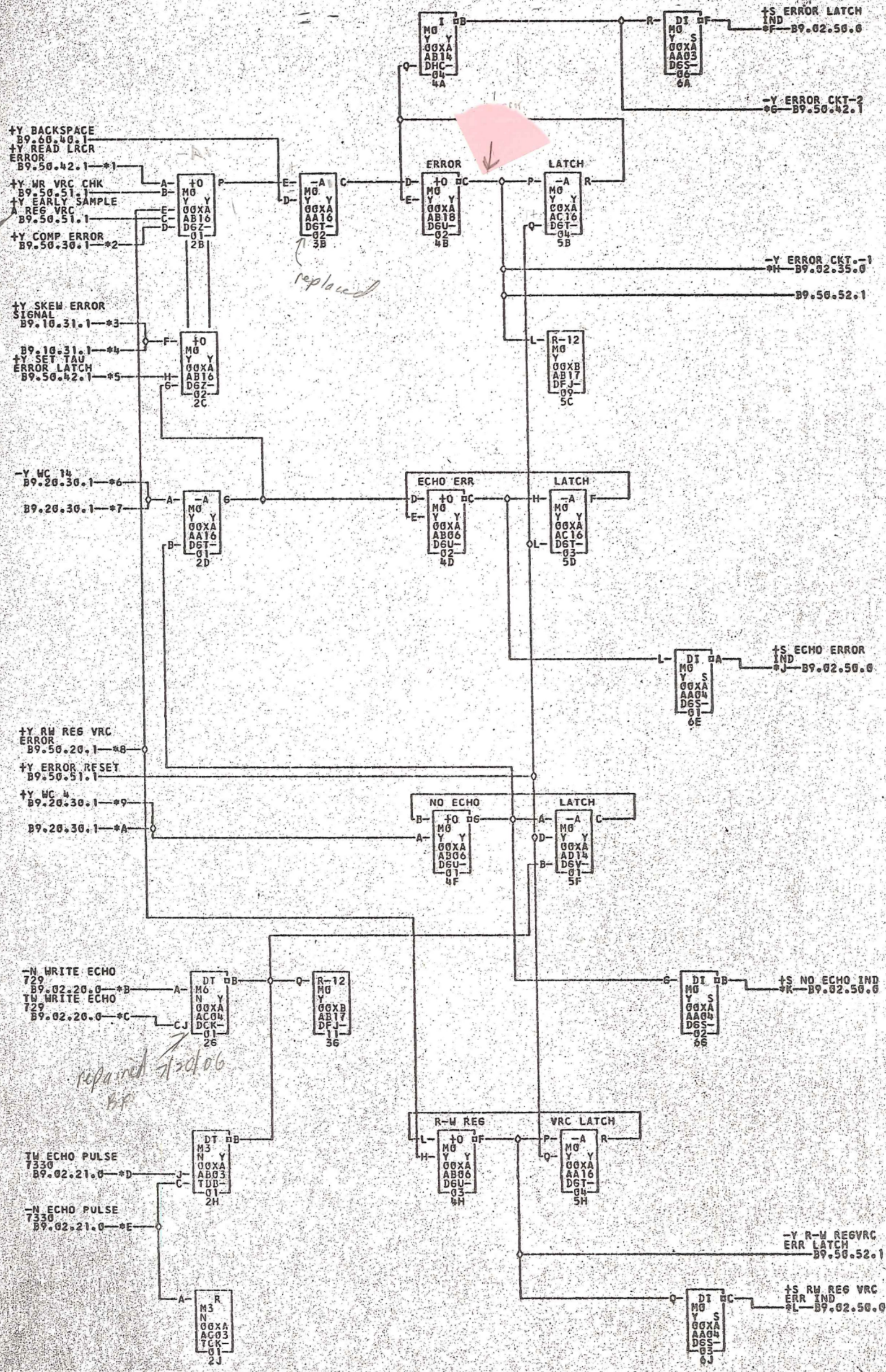
*replaced  
8-17-66  
bed on the lead*



- #1-00XC02C
- #2-00XC01F
- #3-00XC02H
- #4-00XC02F
- #5-00XC01M
- #6-00XC02B

761278





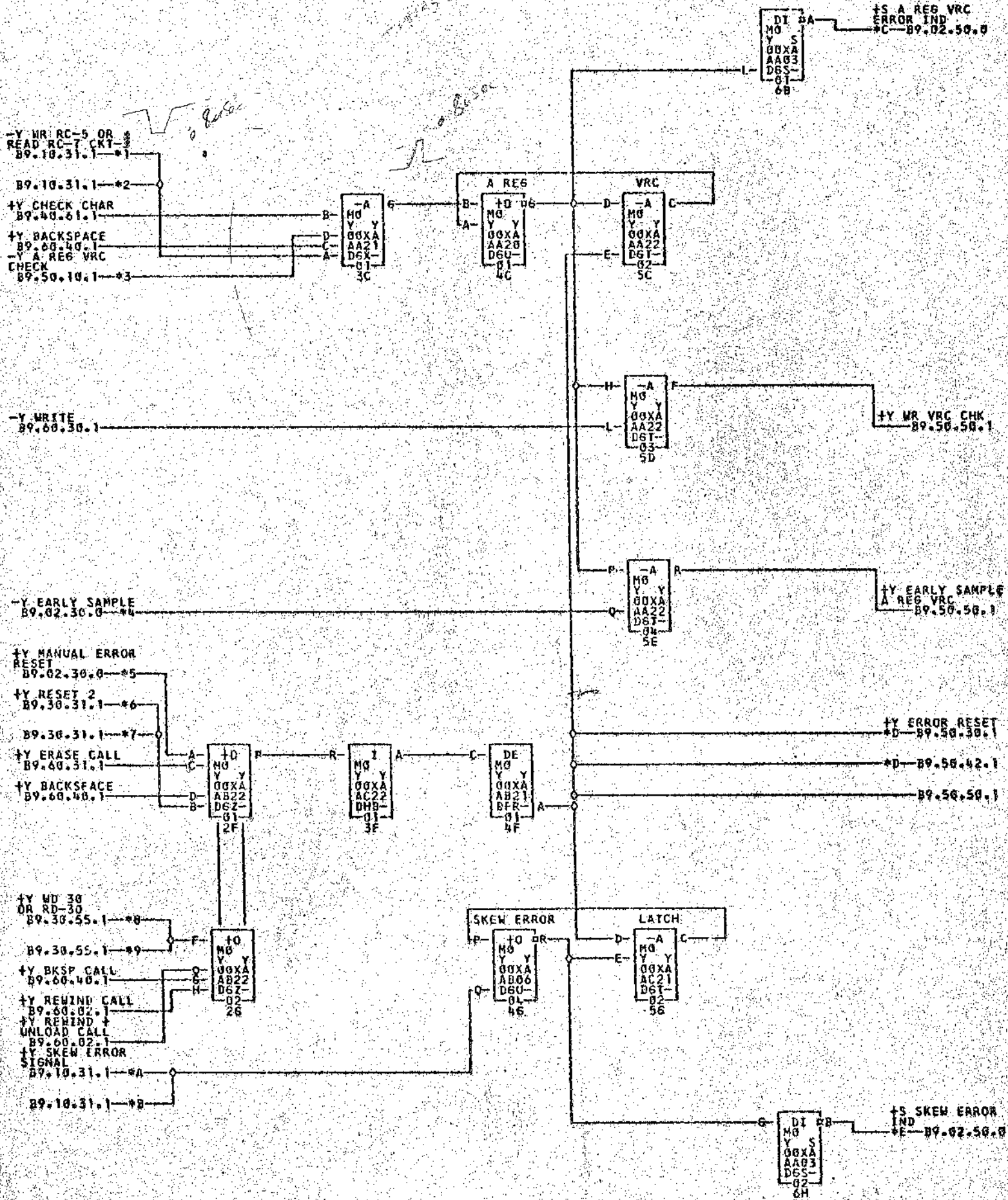
- \*1-00XAD63B
- \*2-00XAF01A
- \*3-00XAD01C
- \*4-00XAD26C
- \*5-00XAD03K
- \*6-00XAC010
- \*7-00XAC260
- \*8-00XAF01C
- \*9-00XAD01R
- \*A-00XAD26C
- \*B-00XAF01K
- \*C-00XAF01J
- \*D-00XAF03J
- \*E-00XAF03K
- \*F-00XAD02C
- \*G-00XAD03H
- \*H-00XAC02H
- \*I-00XAF01J
- \*J-00XAD02D
- \*K-00XAD02E
- \*L-00XAD02F

COMMENTS

00XA 02B2 140  
00XA 14D3 14

TAG DATE	E.C.NO.	TAG DATE	E.C.NO.	TAG DATE	E.C.NO.	TAG DATE	E.C.NO.
A 01-26-62	113840	B 12-13-62	11179				

720100



- \*1-00XAD01B
- \*2-00XAD26B
- \*3-00XAF01D
- \*4-00XAD02L
- \*5-00XAD02N
- \*6-00XAC01P
- \*7-00XAC26P
- \*8-00XAF02B
- \*9-00XAE26B
- \*A-00XAD01C
- \*B-00XAD24C
- \*C-00XAA02B
- \*D-00XAF01F
- \*E-00XAA02H

COMMENTS

88XA 9282 1293

TAG DATE	F.C. NO.	TAG DATE	F.C. NO.	TAG DATE	F.C. NO.	TAG DATE	F.C. NO.
A 01-24-62	1128XB	B 03-21-62	116011	C 12-13-62	118179		

729199





0729202

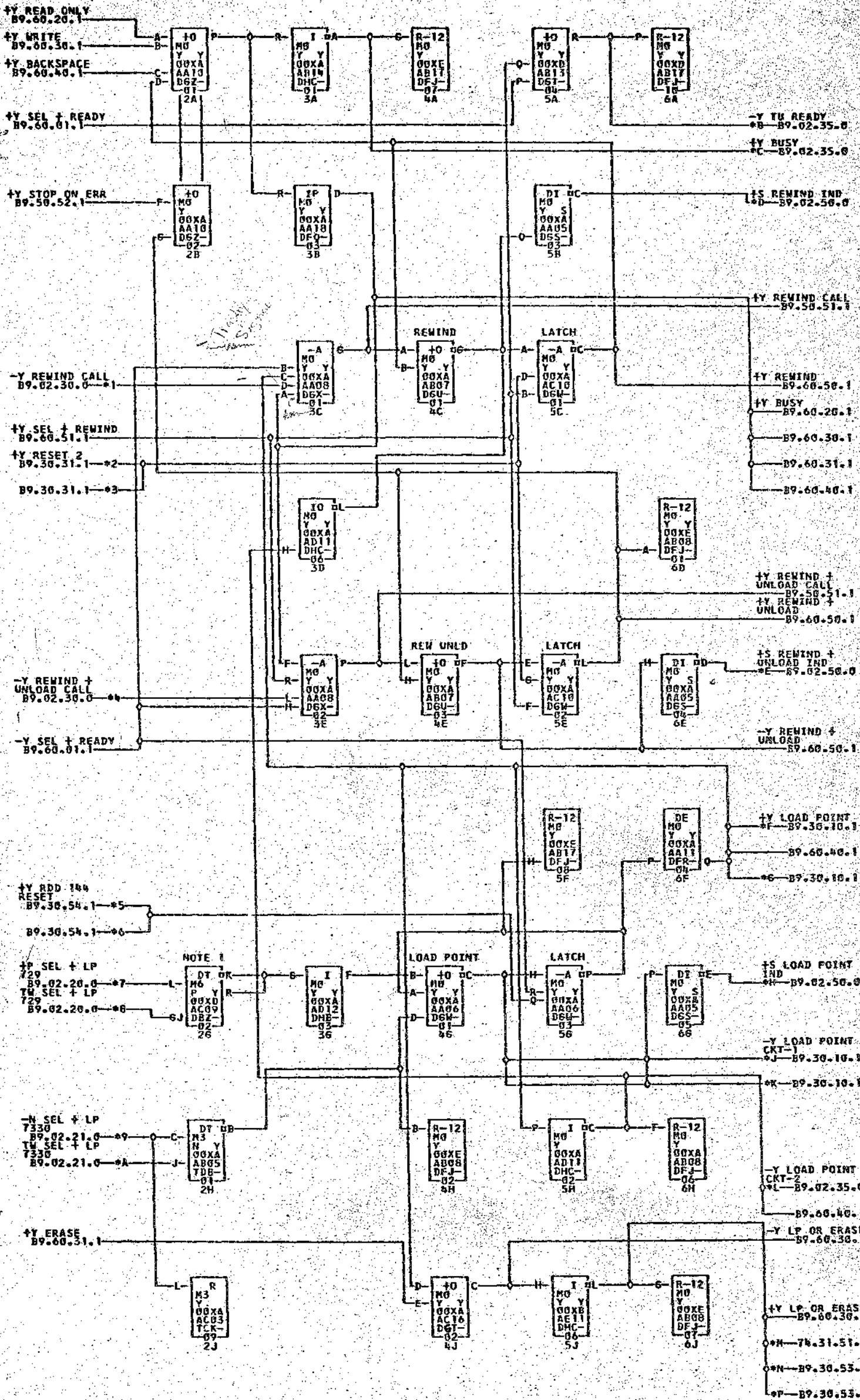
LP PT + BUSY + REMIND/REMIND UNLD

TAU 9

B9.60.02.1

TAG DATE

D 7.2.63  
TA 1713A  
E 15.4.63  
TA 1815A



- \*1-00XAC02B
- \*2-00XAC26P
- \*3-00XAC01P
- \*4-00XAC02C
- \*5-00XAC01H
- \*6-00XAC26H
- \*7-00XAF04B
- \*8-00XAF03A
- \*9-00XAF03B
- \*A-00XAF03A
- \*B-00XAC02D
- \*C-00XAC02D
- \*D-00XAA021
- \*E-00XAA02M
- \*F-00XAA01N
- \*G-00XAA24N
- \*H-00XAA02K
- \*I-00XAA01Q
- \*J-00XAA01Q
- \*K-00XAA260
- \*L-00XAC02E
- \*M-00XAC02N
- \*N-02A1825M
- \*O-02A1D17R
- \*P-00XAE26A
- \*Q-02B1E03R
- \*R-00XAF02A

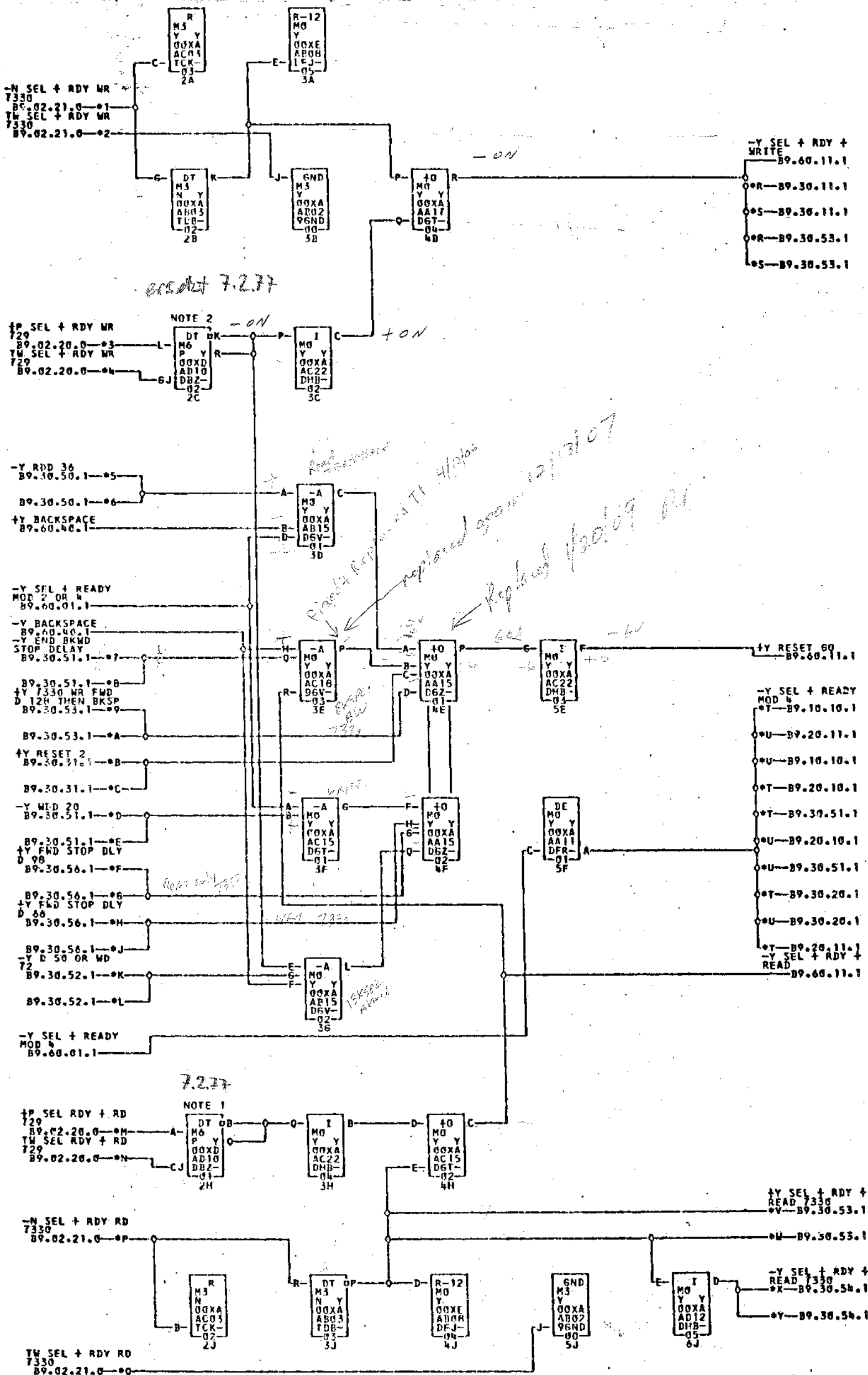
COMMENTS: 00XA 0202 1401, 00XA 1403 1410, NOTE 1 TIE C09K TO C09J WHEN SYSTEM HAS NO 729

TAG DATE	E.C. NO.	TAG DATE	E.C. NO.	TAG DATE	E.C. NO.	TAG DATE	E.C. NO.
01-24-62	113846	03-21-62	114677	10-03-62	116846	11-07-62	114169
12-13-62	114779						

0729202  
1815A

D 7.2.63  
TA 1713A

E 16.4.63  
TA 1815A



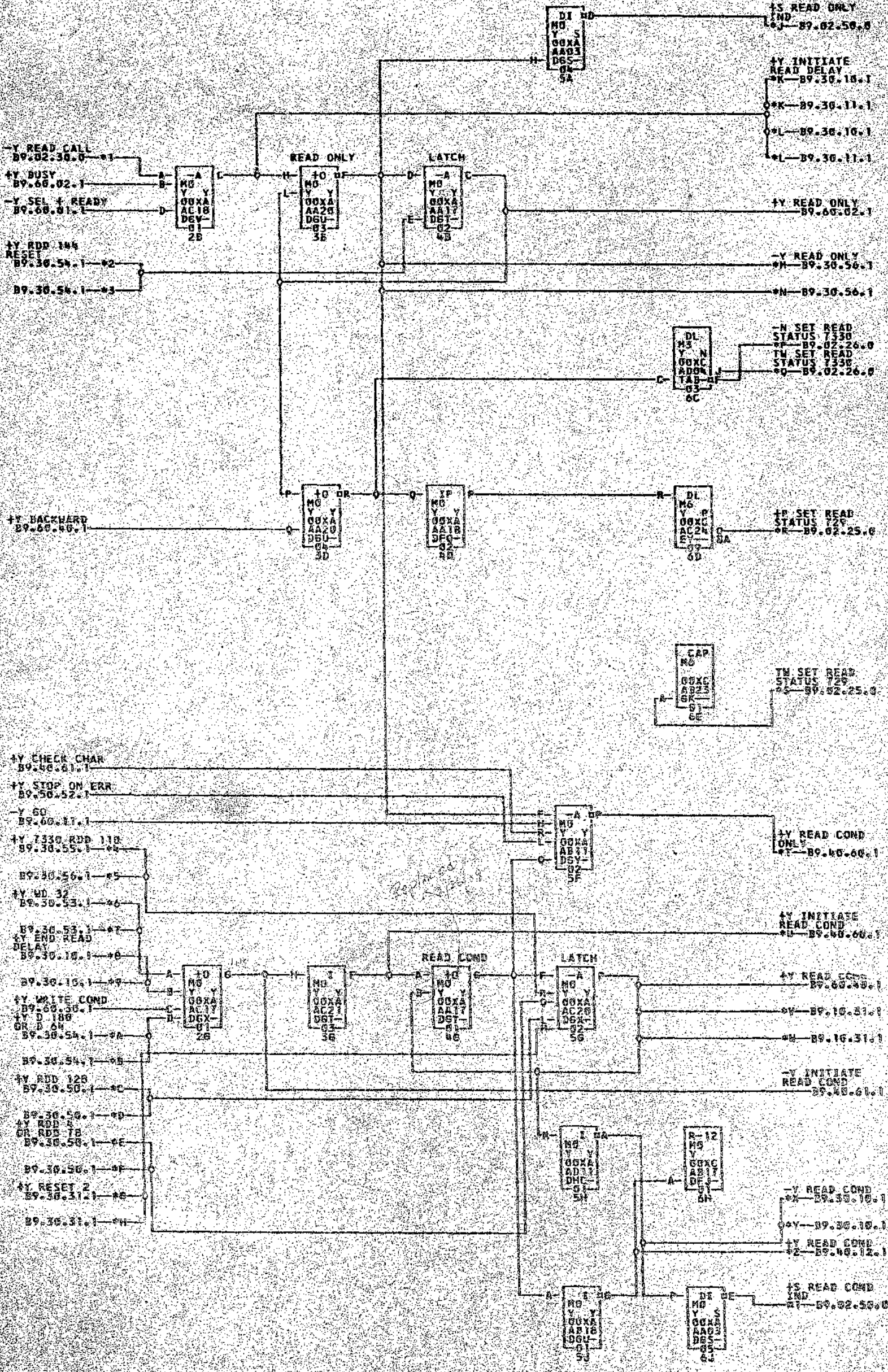
- \*1--00XAE02P
- \*2--00XAE02N
- \*3--00XAE04P
- \*4--00XAE04N
- \*5--00XAD010
- \*6--00XAD260
- \*7--00XAC01F
- \*8--00XAC26F
- \*9--00XAD01A
- \*A--00XAD26A
- \*B--00XAC01P
- \*C--00XAC26P
- \*D--00XAD01N
- \*E--00XAD26N
- \*F--00XAD01M
- \*G--00XAD26M
- \*H--00XADG1K
- \*J--00XAD26K
- \*K--00XAD01P
- \*L--00XAD26P
- \*M--00XAE04R
- \*N--00XAE04L
- \*P--00XAE02R
- \*Q--00XAE02Q
- \*R--00XAB01L
- \*S--00XAB26L
- \*T--00XAA01L
- \*U--00XAA26L
- \*V--00XAF02C
- \*W--00XAE26C
- \*X--00XAF02L
- \*Y--00XAE26L

COMMENTS: 00XA 0282 1401  
 00XA 1403 1410  
 NOTE 1 TIE D100 TO D106 WHEN SYSTEM HAS NO 729  
 NOTE 2 TIE D106 TO D105 WHEN SYSTEM HAS NO 729

TAG DATE	E.C.NO.	TAG DATE	E.C.NO.	TAG DATE	E.C.NO.	TAG DATE	E.C.NO.
A 01-26-62	113040	B 03-21-62	114617	C 10-03-62	114046	D 11-07-62	114169
E 12-13-62	114177						

1015

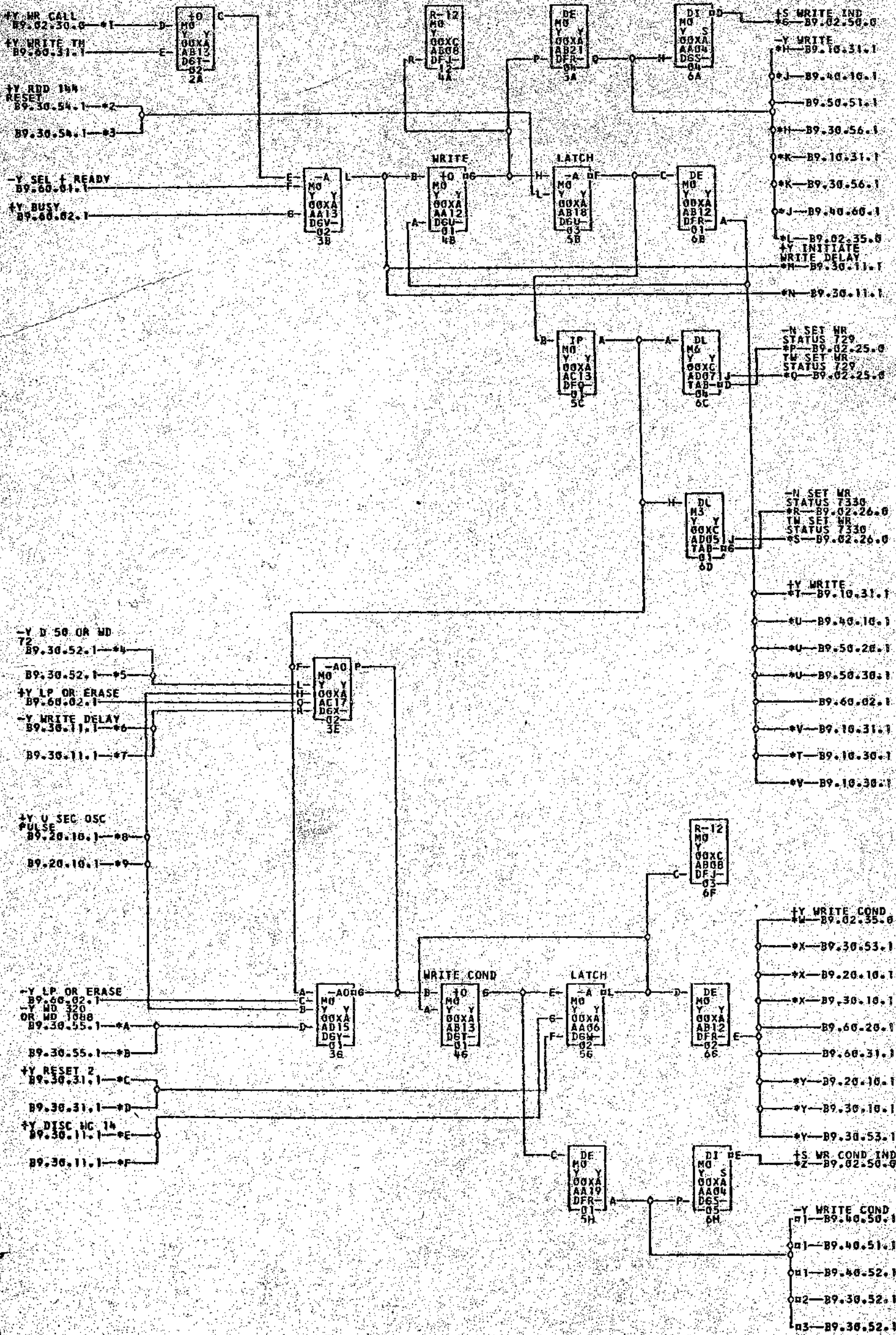




- \*1--00XAD026
- \*2--00XAC01H
- \*3--00XAE26H
- \*4--00XAE26C
- \*5--00XAF020
- \*6--00XAF02E
- \*7--00XAE26F
- \*8--00XAE26R
- \*9--00XAE26S
- \*A--00XAE26T
- \*B--00XAE26U
- \*C--00XAE26V
- \*D--00XAE26W
- \*E--00XAE26X
- \*F--00XAE26Y
- \*G--00XAE26Z
- \*H--00XAE26A
- \*I--00XAE26B
- \*J--00XAE26C
- \*K--00XAE26D
- \*L--00XAE26E
- \*M--00XAE26F
- \*N--00XAE26G
- \*O--00XAE26H
- \*P--00XAE26I
- \*Q--00XAE26J
- \*R--00XAE26K
- \*S--00XAE26L
- \*T--00XAE26M
- \*U--00XAE26N
- \*V--00XAE26O
- \*W--00XAE26P
- \*X--00XAE26Q
- \*Y--00XAE26R
- \*Z--00XAE26S

729205





- \*1--00XAD02H
- \*2--00XAD266
- \*3--00XAC26M
- \*4--00XAD01F
- \*5--00XAD26P
- \*6--00XAD01B
- \*7--00XAC26P
- \*8--00XAD01M
- \*9--00XAD26K
- \*A--00XAD01N
- \*B--00XAD26L
- \*C--00XAD01P
- \*D--00XAD26M
- \*E--00XAD01Q
- \*F--00XAD26N
- \*G--00XAD01R
- \*H--00XAD26O
- \*I--00XAD01S
- \*J--00XAD26P
- \*K--00XAD01T
- \*L--00XAD26Q
- \*M--00XAD01U
- \*N--00XAD26R
- \*O--00XAD01V
- \*P--00XAD26S
- \*Q--00XAD01W
- \*R--00XAD26T
- \*S--00XAD01X
- \*T--00XAD26U
- \*U--00XAD01Y
- \*V--00XAD26V
- \*W--00XAD01Z
- \*X--00XAD26W
- \*Y--00XAD01A
- \*Z--00XAD26X

- \*1--00XAD02H
- \*2--00XAD266
- \*3--00XAC26M
- \*4--00XAD01F
- \*5--00XAD26P
- \*6--00XAD01B
- \*7--00XAC26P
- \*8--00XAD01M
- \*9--00XAD26K
- \*A--00XAD01N
- \*B--00XAD26L
- \*C--00XAD01P
- \*D--00XAD26M
- \*E--00XAD01Q
- \*F--00XAD26N
- \*G--00XAD01R
- \*H--00XAD26O
- \*I--00XAD01S
- \*J--00XAD26P
- \*K--00XAD01T
- \*L--00XAD26Q
- \*M--00XAD01U
- \*N--00XAD26R
- \*O--00XAD01V
- \*P--00XAD26S
- \*Q--00XAD01W
- \*R--00XAD26T
- \*S--00XAD01X
- \*T--00XAD26U
- \*U--00XAD01Y
- \*V--00XAD26V
- \*W--00XAD01Z
- \*X--00XAD26W
- \*Y--00XAD01A
- \*Z--00XAD26X

- \*1--00XAD02H
- \*2--00XAD266
- \*3--00XAC26M
- \*4--00XAD01F
- \*5--00XAD26P
- \*6--00XAD01B
- \*7--00XAC26P
- \*8--00XAD01M
- \*9--00XAD26K
- \*A--00XAD01N
- \*B--00XAD26L
- \*C--00XAD01P
- \*D--00XAD26M
- \*E--00XAD01Q
- \*F--00XAD26N
- \*G--00XAD01R
- \*H--00XAD26O
- \*I--00XAD01S
- \*J--00XAD26P
- \*K--00XAD01T
- \*L--00XAD26Q
- \*M--00XAD01U
- \*N--00XAD26R
- \*O--00XAD01V
- \*P--00XAD26S
- \*Q--00XAD01W
- \*R--00XAD26T
- \*S--00XAD01X
- \*T--00XAD26U
- \*U--00XAD01Y
- \*V--00XAD26V
- \*W--00XAD01Z
- \*X--00XAD26W
- \*Y--00XAD01A
- \*Z--00XAD26X

- \*1--00XAD02H
- \*2--00XAD266
- \*3--00XAC26M
- \*4--00XAD01F
- \*5--00XAD26P
- \*6--00XAD01B
- \*7--00XAC26P
- \*8--00XAD01M
- \*9--00XAD26K
- \*A--00XAD01N
- \*B--00XAD26L
- \*C--00XAD01P
- \*D--00XAD26M
- \*E--00XAD01Q
- \*F--00XAD26N
- \*G--00XAD01R
- \*H--00XAD26O
- \*I--00XAD01S
- \*J--00XAD26P
- \*K--00XAD01T
- \*L--00XAD26Q
- \*M--00XAD01U
- \*N--00XAD26R
- \*O--00XAD01V
- \*P--00XAD26S
- \*Q--00XAD01W
- \*R--00XAD26T
- \*S--00XAD01X
- \*T--00XAD26U
- \*U--00XAD01Y
- \*V--00XAD26V
- \*W--00XAD01Z
- \*X--00XAD26W
- \*Y--00XAD01A
- \*Z--00XAD26X

- \*1--00XAD02H
- \*2--00XAD266
- \*3--00XAC26M
- \*4--00XAD01F
- \*5--00XAD26P
- \*6--00XAD01B
- \*7--00XAC26P
- \*8--00XAD01M
- \*9--00XAD26K
- \*A--00XAD01N
- \*B--00XAD26L
- \*C--00XAD01P
- \*D--00XAD26M
- \*E--00XAD01Q
- \*F--00XAD26N
- \*G--00XAD01R
- \*H--00XAD26O
- \*I--00XAD01S
- \*J--00XAD26P
- \*K--00XAD01T
- \*L--00XAD26Q
- \*M--00XAD01U
- \*N--00XAD26R
- \*O--00XAD01V
- \*P--00XAD26S
- \*Q--00XAD01W
- \*R--00XAD26T
- \*S--00XAD01X
- \*T--00XAD26U
- \*U--00XAD01Y
- \*V--00XAD26V
- \*W--00XAD01Z
- \*X--00XAD26W
- \*Y--00XAD01A
- \*Z--00XAD26X

- \*1--00XAD02H
- \*2--00XAD266
- \*3--00XAC26M
- \*4--00XAD01F
- \*5--00XAD26P
- \*6--00XAD01B
- \*7--00XAC26P
- \*8--00XAD01M
- \*9--00XAD26K
- \*A--00XAD01N
- \*B--00XAD26L
- \*C--00XAD01P
- \*D--00XAD26M
- \*E--00XAD01Q
- \*F--00XAD26N
- \*G--00XAD01R
- \*H--00XAD26O
- \*I--00XAD01S
- \*J--00XAD26P
- \*K--00XAD01T
- \*L--00XAD26Q
- \*M--00XAD01U
- \*N--00XAD26R
- \*O--00XAD01V
- \*P--00XAD26S
- \*Q--00XAD01W
- \*R--00XAD26T
- \*S--00XAD01X
- \*T--00XAD26U
- \*U--00XAD01Y
- \*V--00XAD26V
- \*W--00XAD01Z
- \*X--00XAD26W
- \*Y--00XAD01A
- \*Z--00XAD26X

729225

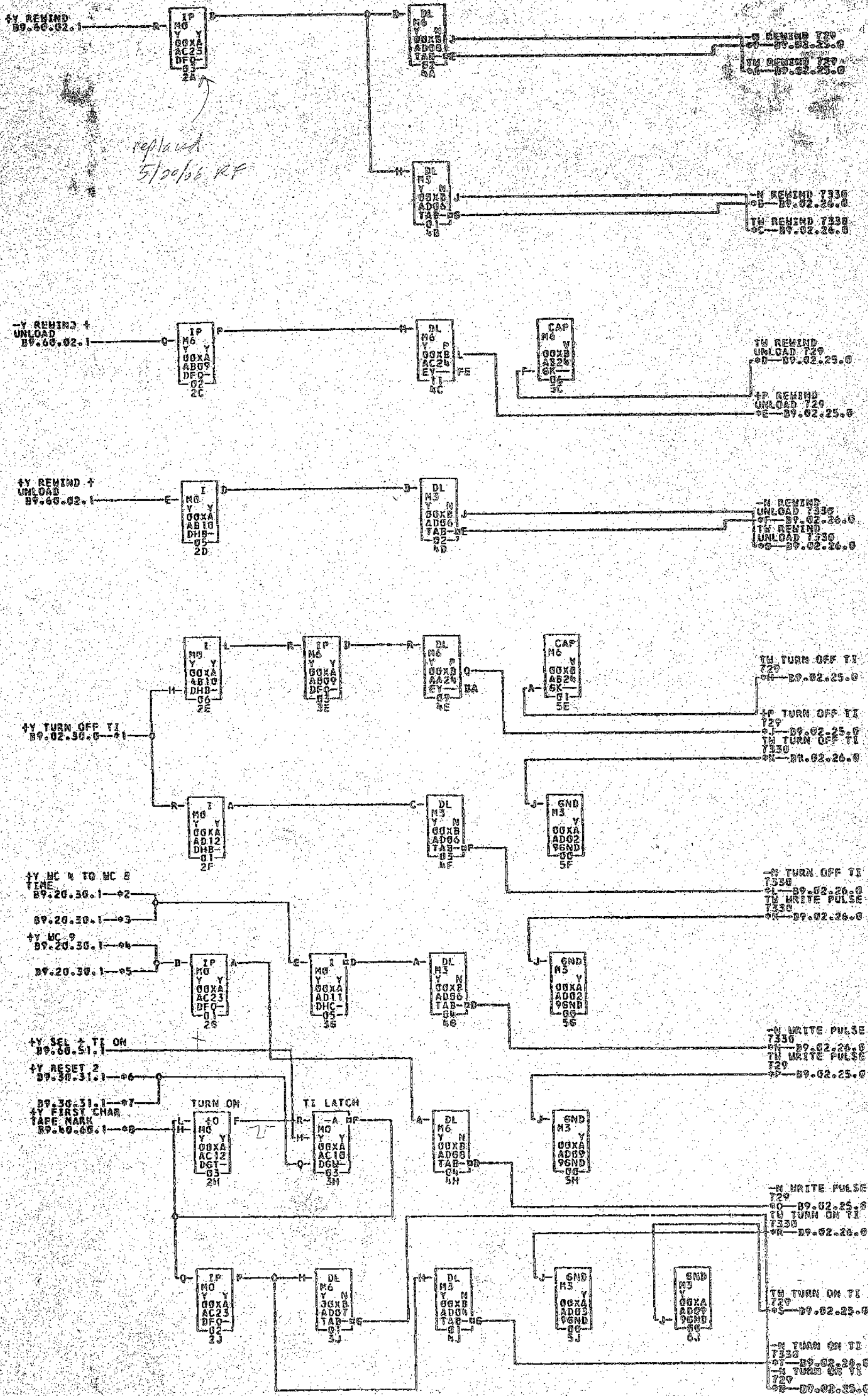
00XA 0282 1401  
00XA 1603 1410

COMMENTS

TAG DATE	E.C.NO.	TAG DATE	E.C.NO.	TAG DATE	E.C.NO.	TAG DATE	E.C.NO.
A 01-26-62	113846	B 10-03-62	114046	C 12-13-62	114179		

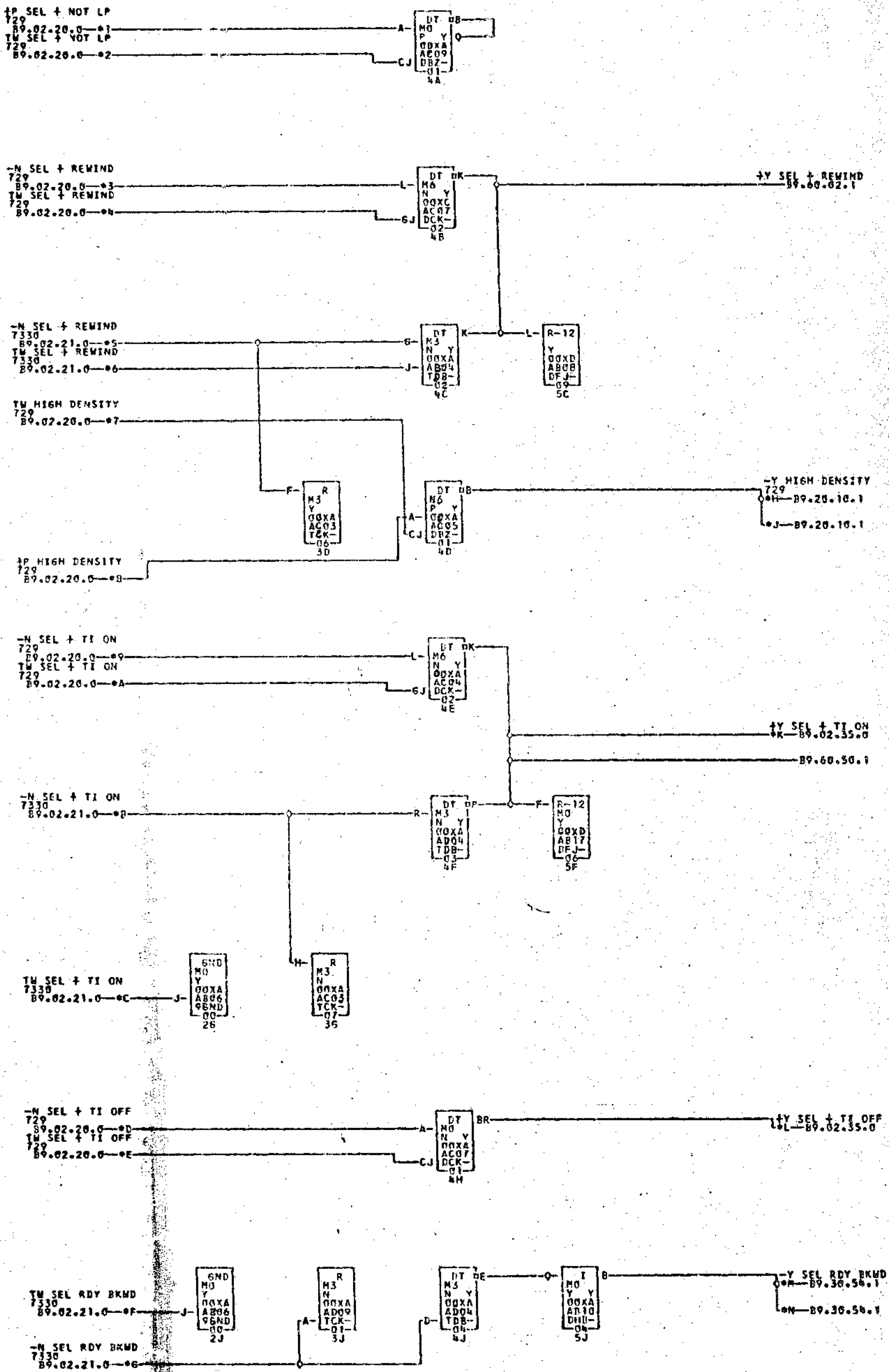






- \*1 - 00XAC32K
- \*2 - 00XAE20G
- \*3 - 00XAF026
- \*4 - 00XAC010
- \*5 - 00XAC26D
- \*6 - 00XAC37C
- \*7 - 00XAC26P
- \*8 - 00XAF01B
- \*9 - 00XAF04E
- \*10 - 00XAF05F
- \*11 - 00XAF06E
- \*12 - 00XAF07F
- \*13 - 00XAF086
- \*14 - 00XAF097
- \*15 - 00XAF0A8
- \*16 - 00XAF0B9
- \*17 - 00XAF0C0
- \*18 - 00XAF0D1
- \*19 - 00XAF0E2
- \*20 - 00XAF0F3

729228



- \*1--00XAE03F
- \*2--00XAE03H
- \*3--00XAE03H
- \*4--00XAE03G
- \*5--00XAE01H
- \*6--00XAE01G
- \*7--00XAE04C
- \*8--00XAE04D
- \*9--00XAE03K
- \*A--00XAE03J
- \*B--00XAE01K
- \*C--00XAE01J
- \*D--00XAE03M
- \*E--00XAE03L
- \*F--00XAE01E
- \*G--00XAE01F
- \*H--00XAE01Q
- \*I--00XAE01P
- \*J--00XAE26Q
- \*K--00XAE020
- \*L--00XAE02R
- \*M--00XAA01E
- \*N--00XAA26E

00XA 02B2 1401  
00XA 14D3 1410

COMMENTS

TAG DATE	E.C.NO.	TAG DATE	E.C.NO.	TAG DATE	E.C.NO.	TAG DATE	E.C.NO.
A 01-26-62	113840	B 03-21-62	114617	C 11-07-62	114189	D 12-13-62	114179

729229

B 2.7.62  
TA 1370A  
C 16.4.63  
TA 1815A

00XB  
CONN  
A01  
00XA  
A01  
01-  
2A

OPEN  
00XA  
AB25  
01-  
3A

CONN  
00XA  
AD02  
01-  
4A

CL  
CONN  
PANI  
00XA  
AA02  
01-  
2B

1410  
CONN  
00XA  
AB26  
01-  
3B

CONN  
00XA  
AD03  
01-  
4B

OPEN  
00XA  
AA14  
01-  
2C

00XB  
CONN  
C01  
00XA  
AC01  
01-  
3C

1410  
CONN  
00XA  
AD26  
01-  
4C

OPEN  
00XA  
AA23  
01-  
2D

02A1  
CONN  
B25  
00XA  
AC02  
01-  
3D

7330  
CONN  
MACH  
00XA  
AE01  
01-  
4D

OPEN  
00XA  
AA25  
01-  
2E

OPEN  
00XA  
AC06  
01-  
3E

7330  
CONN  
MACH  
00XA  
AE02  
01-  
4E

OPEN  
00XA  
AE12  
01-  
5E

CONN  
00XA  
AA26  
01-  
2F

OPEN  
00XA  
AC19  
01-  
3F

729  
CONN  
MACH  
00XA  
AE03  
01-  
4F

OPEN  
00XA  
AE13  
01-  
5F

00XB  
CONN  
B01  
00XA  
AB01  
01-  
2G

OPEN  
00XA  
AC25  
01-  
3G

729  
CONN  
MACH  
00XA  
AE04  
01-  
4G

RPO  
OPEN  
00XA  
AE14  
01-  
5G

CONN  
00XA  
AB02  
01-  
2H

1410  
CONN  
00XA  
AC26  
01-  
3H

OPEN  
00XA  
AE05  
01-  
4H

OPEN  
00XA  
AA19  
01-  
2J

00XB  
CONN  
D01  
00XA  
AD01  
01-  
3J

OPEN  
00XA  
AE06  
01-  
4J

COMMENTS

TAG DATE E.C.NO. TAG DATE E.C.NO. TAG DATE E.C.NO. TAG DATE E.C.NO.  
A 01-26-62 113840 B 03-21-62 114617 C 12-13-62 114179

729230

18.15 A

RPO  
OPEN  
00XA  
AE15  
01  
2A

RPO  
OPEN  
00XA  
AE20  
01  
3A

RPO  
OPEN  
00XA  
AF07  
01  
4A

RPO  
OPEN  
00XA  
AF16  
01  
5A

RPO  
OPEN  
00XA  
AF25  
01  
6A

A 4.5.62  
TA 1233E  
B 16.4.63  
TA 1815A

RPO  
OPEN  
00XA  
AE16  
01  
2B

RPO  
OPEN  
00XA  
AE25  
01  
3B

RPO  
OPEN  
00XA  
AF08  
01  
4B

RPO  
OPEN  
00XA  
AF17  
01  
5B

RPO  
OPEN  
00XA  
AF26  
01  
6B

RPO  
OPEN  
00XA  
AE17  
01  
2C

CONN  
00XA  
AE20  
01  
3C

RPO  
OPEN  
00XA  
AF09  
01  
4C

RPO  
OPEN  
00XA  
AF18  
01  
5C

RPO  
OPEN  
00XA  
AE18  
01  
2D

CONN  
00XA  
AF01  
01  
3D

RPO  
OPEN  
00XA  
AF10  
01  
4D

RPO  
OPEN  
00XA  
AF19  
01  
5D

RPO  
OPEN  
00XA  
AE19  
01  
2E

CONN  
00XA  
AF02  
01  
3E

RPO  
OPEN  
00XA  
AF11  
01  
4E

RPO  
OPEN  
00XA  
AF20  
01  
5E

RPO  
OPEN  
00XA  
AE20  
01  
2F

729  
CONN  
MACH  
00XA  
AF03  
01  
3F

RPO  
OPEN  
00XA  
AF12  
01  
4F

RPO  
OPEN  
00XA  
AF21  
01  
5F

RPO  
OPEN  
00XA  
AE21  
01  
2G

7330  
CONN  
MACH  
00XA  
AF04  
01  
3G

RPO  
OPEN  
00XA  
AF13  
01  
4G

RPO  
OPEN  
00XA  
AF22  
01  
5G

RPO  
OPEN  
00XA  
AE22  
01  
2H

RPO  
OPEN  
00XA  
AF05  
01  
3H

RPO  
OPEN  
00XA  
AF14  
01  
4H

RPO  
OPEN  
00XA  
AF23  
01  
5H

RPO  
OPEN  
00XA  
AE23  
01  
2J

RPO  
OPEN  
00XA  
AF06  
01  
3J

RPO  
OPEN  
00XA  
AF15  
01  
4J

RPO  
OPEN  
00XA  
AF24  
01  
5J

1815  
729231

COMMENTS

TAG DATE E.C.NO. TAG DATE E.C.NO. TAG DATE E.C.NO. TAG DATE E.C.NO.

A 01-20-62 11380 B 12-13-62 11379

B 30.8.62  
TA 1441

C 12.3.63  
TA 1775

00XA  
CONN  
A01  
00XA  
BA01  
01  
2A

00XC  
CONN  
E02  
00XA  
BF01  
01  
3A

CE  
CONN  
PANL  
00XA  
BA02  
01  
2B

OPEN  
00XA  
BA05  
01  
3B

OPEN  
00XA  
BD25  
01  
5B

00XA  
CONN  
B01  
00XA  
BB01  
01  
2C

OPEN  
00XA  
BA10  
01  
3C

OPEN  
00XA  
BD26  
01  
5C

CE  
CONN  
PANL  
00XA  
BB02  
01  
2D

OPEN  
00XA  
BA20  
01  
3D

OPEN  
00XA  
BB26  
01  
4D

OPEN  
00XA  
BF26  
01  
6D

00XA  
CONN  
C01  
00XA  
BC01  
01  
2E

OPEN  
00XA  
BA21  
01  
3E

CE  
CONN  
PANL  
00XA  
BC02  
01  
2F

OPEN  
00XA  
BA24  
01  
3F

OPEN  
00XA  
BE25  
01  
5F

00XA  
CONN  
D01  
00XA  
BD01  
01  
2G

OPEN  
00XA  
BA25  
01  
3G

OPEN  
00XA  
BC25  
01  
4G

OPEN  
00XA  
BE26  
01  
5G

00XA  
CONN  
E02  
00XA  
BE01  
01  
2H

OPEN  
00XA  
BA26  
01  
3H

OPEN  
00XA  
BC26  
01  
4H

00XC  
CONN  
A02  
00XA  
BE02  
01  
2J

OPEN  
00XA  
BD02  
01  
4J

805530

COMMENTS

TAG DATE E.C.NO. TAG DATE E.C.NO. TAG DATE E.C.NO. TAG DATE E.C.NO.  
A 11-30-61 115120 B 05-18-62 115310 C 12-13-62 1167



5723452

SOCKET RESERVATIONS

TAU 9

89.98.12.8

TAG DATE

A 30.5.61  
TA 37597B

B 12.3.63  
TA 1775

OPEN  
00XA  
CE19  
01  
2A

OPEN  
00XA  
CF06  
01  
3A

OPEN  
00XA  
CF22  
01  
4A

OPEN  
00XA  
CE20  
01  
2B

OPEN  
00XA  
CF08  
01  
3B

OPEN  
00XA  
CF23  
01  
4B

OPEN  
00XA  
CE22  
01  
2C

OPEN  
00XA  
CF10  
01  
3C

OPEN  
00XA  
CF24  
01  
4C

OPEN  
00XA  
CE23  
01  
2D

OPEN  
00XA  
CF13  
01  
3D

OPEN  
00XA  
CF25  
01  
4D

OPEN  
00XA  
CE24  
01  
2E

OPEN  
00XA  
CF15  
01  
3E

OPEN  
00XA  
CF26  
01  
4E

OPEN  
00XA  
CE25  
01  
2F

OPEN  
00XA  
CF17  
01  
3F

OPEN  
00XA  
CE26  
01  
2G

OPEN  
00XA  
CF19  
01  
3G

OPEN  
00XA  
CF03  
01  
2H

OPEN  
00XA  
CF20  
01  
3H

OPEN  
00XA  
CF04  
01  
2J

OPEN  
00XA  
CF21  
01  
3J

COMMENTS

TAG DATE E.C. NO. TAG DATE E.C. NO. TAG DATE E.C. NO. TAG DATE E.C. NO.  
A 03-29-61 110435 B 12-14-62 116749

723452

CE  
CONN  
PANL  
00XA  
CA01  
01  
2A

00XB  
CONN  
FB1  
00XA  
CE02  
01  
3A

OPEN  
00XA  
CA13  
01  
4A

OPEN  
00XA  
CB05  
01  
5A

OPEN  
00XA  
CD26  
01  
6A

7330  
CONN  
MACH  
00XA  
CF01  
01  
3B

OPEN  
00XA  
CB12  
01  
5B

OPEN  
00XA  
CE03  
01  
6B

02A1  
CONN  
A25  
00XA  
CB01  
01  
2C

729  
CONN  
MACH  
00XA  
CF02  
01  
3C

OPEN  
00XA  
CA16  
01  
4C

OPEN  
00XA  
CC06  
01  
5C

OPEN  
00XA  
CE04  
01  
6C

02A1  
CONN  
A24  
00XA  
CB02  
01  
2D

OPEN  
00XA  
CA03  
01  
3D

OPEN  
00XA  
CA22  
01  
4D

OPEN  
00XA  
CC19  
01  
5D

OPEN  
00XA  
CE06  
01  
6D

00XA  
CONN  
FB1  
00XA  
CC01  
01  
2E

OPEN  
00XA  
CA05  
01  
3E

OPEN  
00XA  
CA23  
01  
4E

OPEN  
00XA  
CE08  
01  
6E

00XA  
CONN  
D03  
00XA  
CC02  
01  
2F

OPEN  
00XA  
CA06  
01  
3F

OPEN  
00XA  
CB03  
01  
5F

CONN  
00XD  
CB02  
01  
6F

7330  
CONN  
MACH  
00XA  
CD01  
01  
26

OPEN  
00XA  
CA07  
01  
36

OPEN  
00XA  
CA24  
01  
46

OPEN  
00XA  
CD04  
01  
56

OPEN  
00XA  
CE13  
01  
66

729  
CONN  
MACH  
00XA  
CD02  
01  
2H

OPEN  
00XA  
CA08  
01  
3H

OPEN  
00XA  
CA26  
01  
4H

OPEN  
00XA  
CD19  
01  
5H

OPEN  
00XA  
CE15  
01  
6H

CE  
CONN  
PANL  
00XA  
CE01  
01  
2J

OPEN  
00XA  
CA09  
01  
3J

OPEN  
00XA  
CB04  
01  
4J

OPEN  
00XA  
CD20  
01  
5J

OPEN  
00XA  
CE17  
01  
6J

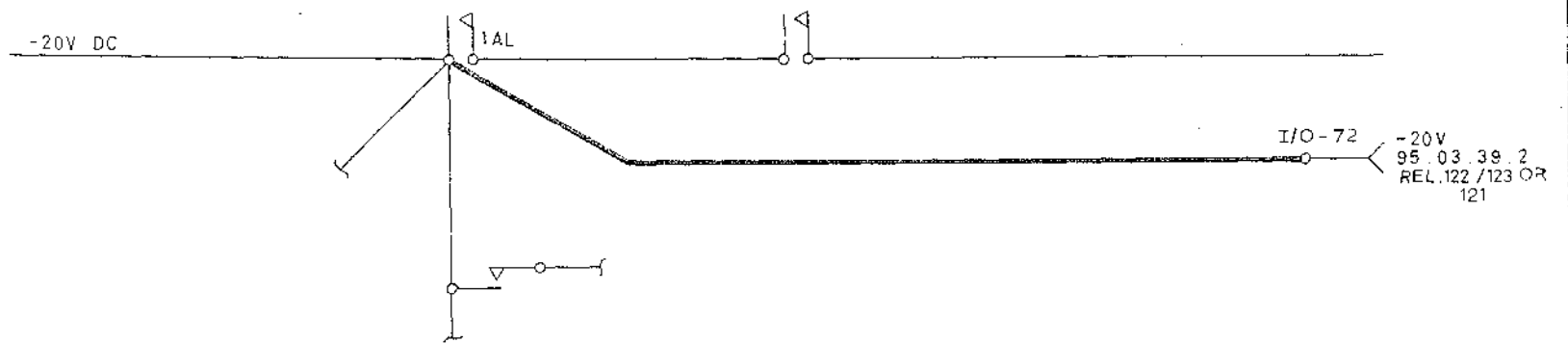
COMMENTS

TAU DATE E.C.NO. TAG DATE E.C.NO. TAG DATE E.C.NO. TAG DATE E.C.NO.  
A 03-29-61 110435 B 04-12-61 110440 C 05-23-61 110447 D 06-16-61 110448  
E 08-04-61 112226 F 12-14-62 1167490

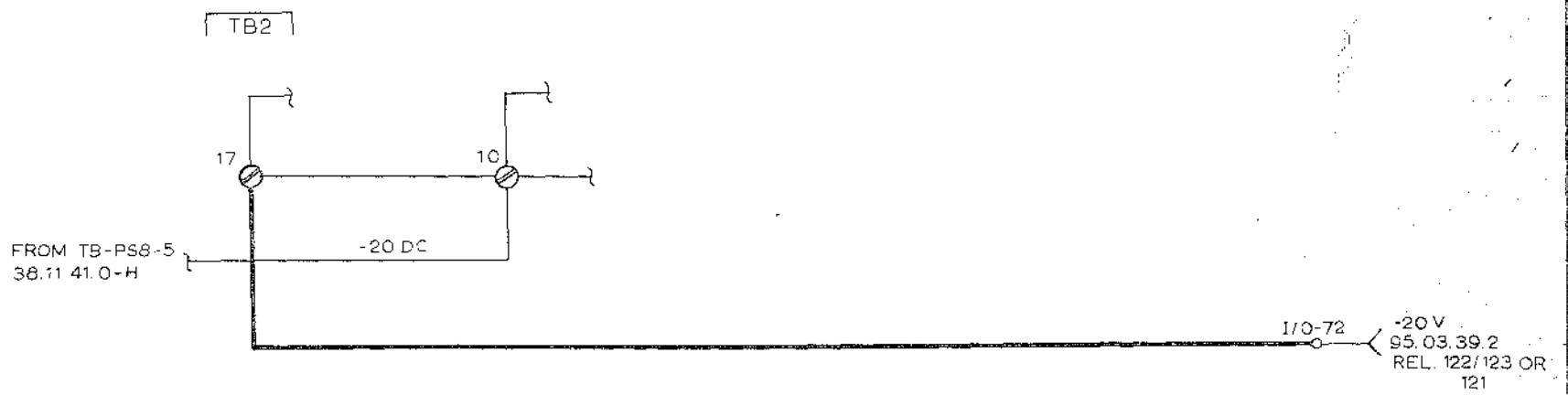
723399

RSDP Y61085

SUPPLEMENT TO 38.11.21.2 (1401)



SUPPLEMENT TO 38.11.43.0 (1441)



SYM.	DATE	CHANGE NO.	MICR FILM
	194.63	TA-1801B	
	10.4.64	TA-1801S	

<b>IBM</b>			
NAME	S.D. 95.03.99.2		
DESIGN.		MODEL	1401
DETAIL.	26.263	SCALE	
CHECK.	W. A. ...	DRAW.	
APPRO.		CHECK.	

RSDP - KEINE SORT CARD

INPUTS FROM 729 TAPE DRIVE

89.02.20.0

729 TP DRV LOGIC  
A2 + A4 II + IV

TU.07.00.0	01.03.1	8VPP READ BUS 1 BIT 729	19081
TU.07.00.0	01.03.1	8VPP READ BUS 2 BIT 729	19081
TU.07.00.0	01.03.1	8VPP READ BUS 4 BIT 729	19081
TU.07.00.0	01.03.1	8VPP READ BUS 8 BIT 729	19081
TU.07.00.0	01.03.1	8VPP READ BUS A BIT 729	19081
TU.07.00.0	01.03.1	8VPP READ BUS B BIT 729	19081
TU.07.00.0	01.03.1	8VPP READ BUS C BIT 729	19081
TU.08.10.1	01.02.1	SEL + RDY WR 729	189A4
TU.08.10.1	01.02.1	SEL + RDY RD 729	189A3
TU.08.10.1	01.09.1	SEL + REWIND 729	185A2
TU.08.10.1	01.05.1	SEL + TI ON 729	183A2
TU.08.10.1	01.02.2	HIGH DENSITY 729	189A1
TU.08.10.1	01.04.1	WRITE ECHO 729	191A1
TU.08.10.1	01.06.1	SEL + LP 729	185A4
TU.08.10.1	01.06.1	SEL + NOT LP 729	189C4
TU.08.10.1	01.05.1	SEL + TI OFF 729	189C4
TU.08.10.1	01.01.1	SEL AND READY MOD 2 729	189A3
TU.08.10.1	01.01.1	SEL AND READY MOD 4 729	189A2
TU.08.10.1	01.01.1	MOD 5 OR MOD 6	187A4

OUTPUTS TO 729 TAPE DRIVE

89.02.25.0

729 TP DRV LOGIC  
II + IV A2 + A4

19086	WRITE BUS 1 BIT 729	01.04.1	TU.08.00.1
19086	WRITE BUS 2 BIT 729	01.04.1	TU.08.00.1
19086	WRITE BUS 4 BIT 729	01.04.1	TU.08.00.1
19086	WRITE BUS 8 BIT 729	01.04.1	TU.08.00.1
19086	WRITE BUS A BIT 729	01.04.1	TU.08.00.1
19086	WRITE BUS B BIT 729	01.04.1	TU.08.00.1
19085	WRITE BUS C BIT 729	01.04.1	TU.08.00.1
18202	WRITE PULSE 729	01.04.1	TU.08.00.1
18206	WR CK CH 729	01.04.1	TU.08.00.1
181C5	SET WR STATUS 729	01.02.1	TU.08.00.1
183C6	SET READ STATUS 729	01.02.1	TU.08.00.1
185C5	BACKWARD 729	01.07.1	TU.08.00.1
189C6	GO 729	01.07.1	TU.08.00.1
185B2	REWIND 729	01.09.1	TU.08.00.1
185D2	REWIND UNLOAD 729	01.09.1	TU.08.00.1
189D3	TURN OFF TI 729	01.05.1	TU.08.00.1
183D2	TURN ON TI 729	01.05.1	TU.08.00.1

INPUTS FROM 7330 TAPE DRIVE

89.02.21.0

7330 TP DRV LOGIC

TAU ILO

73.30.05.1	8VPP READ BUS 1 BIT 7330	19081
73.30.05.1	8VPP READ BUS 2 BIT 7330	19081
73.30.05.1	8VPP READ BUS 4 BIT 7330	19081
73.30.05.1	8VPP READ BUS 8 BIT 7330	19081
73.30.05.1	8VPP READ BUS A BIT 7330	19081
73.30.05.1	8VPP READ BUS B BIT 7330	19081
73.20.05.1	8VPP READ BUS C BIT 7330	19081
73.20.25.1	SEL + RDY WR 7330	189A4
73.20.25.1	SEL + RDY RD 7330	189A3
73.20.25.1	SEL + REWIND 7330	185A1
73.20.25.1	SEL + TI ON 7330	183A1
73.20.25.1	SEL + RDY HI 7330	189A2
73.20.05.1	ECHO PULSE 7330	191A1
73.20.25.1	SEL + LP 7330	185A4
73.20.25.1	SEL + RDY LO 7330	189A2
73.20.25.1	SEL RDY BKWD 7330	185C3

OUTPUTS TO 7330 TAPE DRIVE

89.02.26.0

7330 TP DRV LOGIC

TAU ILO

19086	WRITE BUS 1 BIT 7330	73.30.05.1
19086	WRITE BUS 2 BIT 7330	73.30.05.1
19086	WRITE BUS 4 BIT 7330	73.30.05.1
19086	WRITE BUS 8 BIT 7330	73.30.05.1
19086	WRITE BUS A BIT 7330	73.30.05.1
19086	WRITE BUS B BIT 7330	73.30.05.1
19086	WRITE BUS C BIT 7330	73.30.05.1
18202	WRITE PULSE 7330	73.30.05.1
182D5	WR TR REL 7330	73.30.05.1
181C5	SET WRITE STATUS 7330	73.20.25.1
183C6	SET READ STATUS 7330	73.20.25.1
185C5	BACKWARD 7330	73.20.25.1
189C6	GO 7330	73.20.25.1
185B2	REWIND 7330	73.20.25.1
185D2	REWIND UNLOAD 7330	73.20.25.1
189D3	TURN OFF TI 7330	73.20.25.1
183D2	TURN ON TI 7330	73.20.25.1

INPUTS TO TAU

89.02.30.0

1401 ILO

TAU ILO

123D3	1 BIT WRITE DATA LINE	190A4
123D3	2 BIT WRITE DATA LINE	190A4
128D3	4 BIT WRITE DATA LINE	190A4
128D4	8 BIT WRITE DATA LINE	190A4
128D4	A BIT WRITE DATA LINE	190A4
128D4	B BIT WRITE DATA LINE	190A4
128D5	C BIT WRITE DATA LINE	190A4
130D2	WR CALL	181A5
130D2	WR TM CALL	181A6
123B3	DISC CALL	182A5
126C4	READ CALL	183A6
126B3	REWIND CALL	185A2
126B3	REWIND + UNLOAD CALL	185B2
126B2	BACKSPACE CALL	185A6
126B2	BACKSPACE CALL	192A1
129C3	TAU RESET	186A1
127C5	ODD REDUNDANCY CALL	183A3
129D4	TURN OFF TI	189C3
130B5	MAN WR DISC	181A4
130D4	MANUAL STOP ON ERROR	192B5
130D4	MANUAL STOP ON ERROR	192C2
	EARLY SAMPLE	192A3
	EARLY SAMPLE	191C4
	AMPLIFIER BIAS	190A1
	COMPARE CHECK CE	192B5
	REG A ONLY	191B6
	REG B ONLY	191B6
130C3	TURN ON GO	189B5
	NOT MANUAL OP	181A5
	SET TAU ERROR LATCH	192A2
	ERASE CALL	185A5
	DENSITY SW 200 + 556	187A3
	DENSITY SW 200 + 556	187A4
	DENSITY SW 200 + 800	187A3
	DENSITY SW 556 + 800	187A3
	DENSITY SW 556 + 800	187A2

OUTPUTS FROM TAU

89.02.35.0

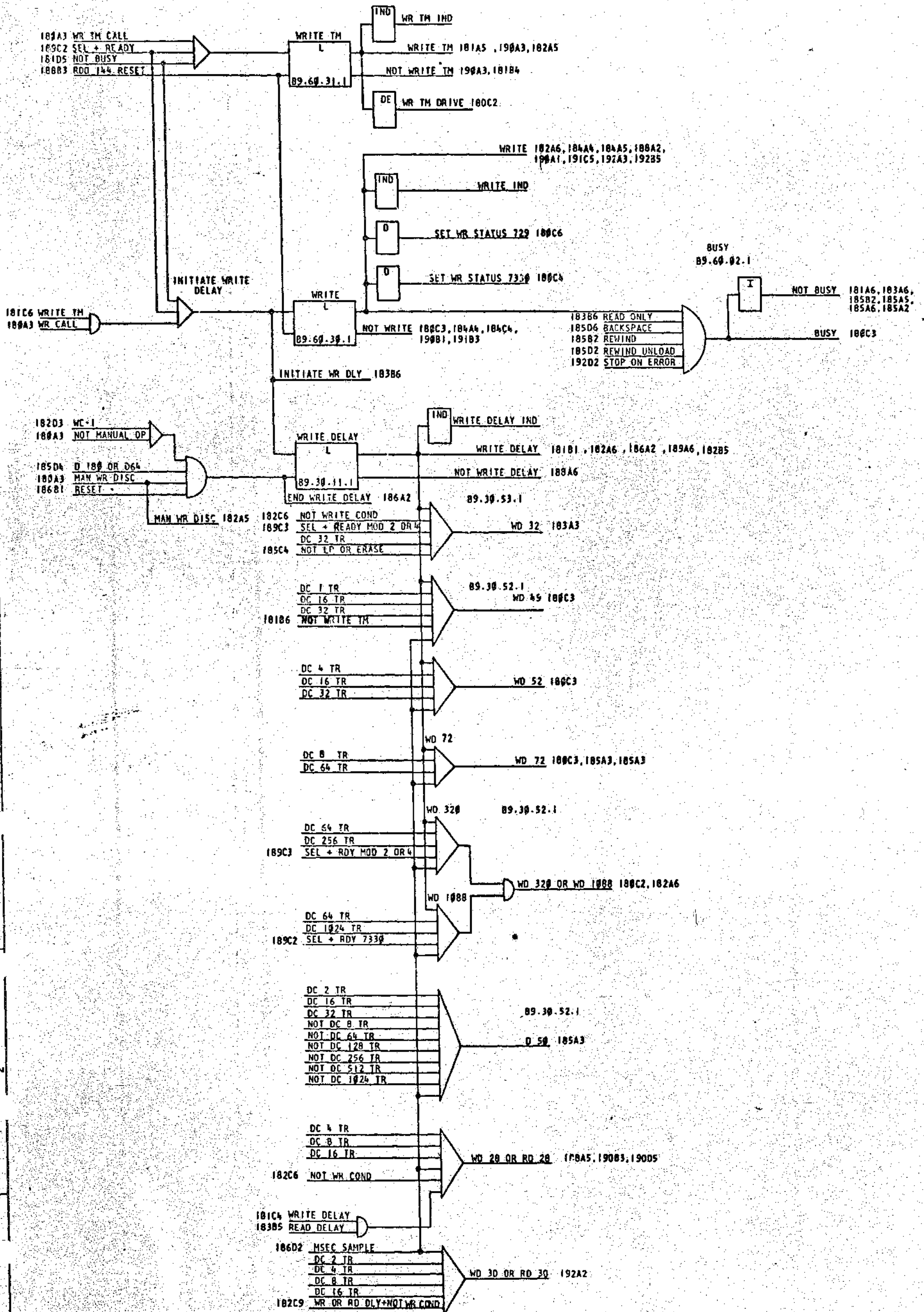
1401 ILO

TAU ILO

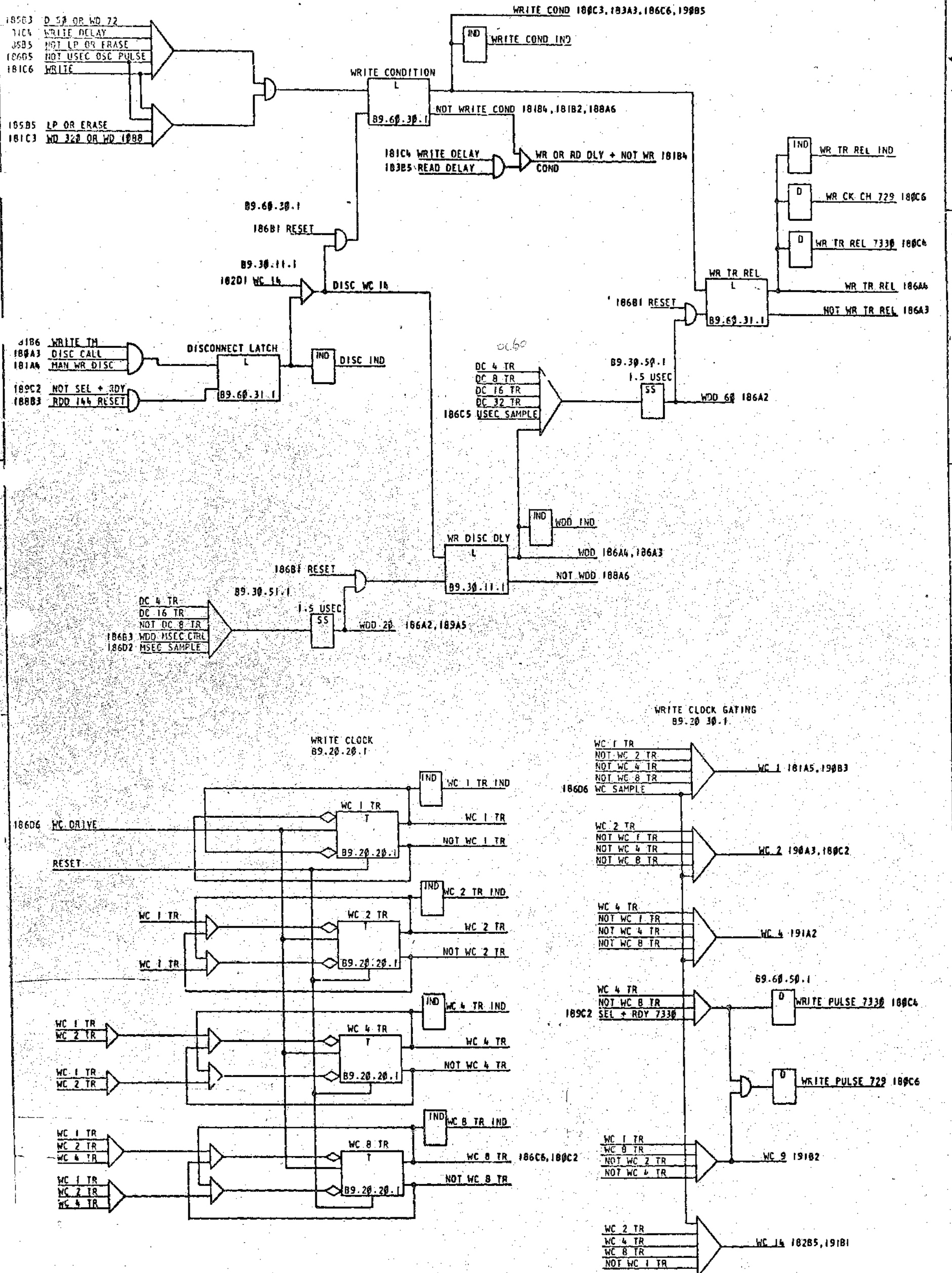
190A6	R-W REG 1 BIT	127C3
190A6	R-W REG 2 BIT	127C3
190A6	R-W REG 4 BIT	127C3
190A6	R-W REG 8 BIT	127C4
190A6	R-W REG A BIT	127C4
190A6	R-W REG B BIT	127C4
190A6	R-W REG C BIT	127B5
183D4	END READ DELAY	128A2
182C6	WRITE COND	
181D5	BUSY	130A4
185B4	LOAD POINT	126B2
188D2	CHECK CHAR	130A3
183B1	SEL + TI ON	130A4
192C2	ERROR	129B3
188B3	FWD STOP DELAY	129A5
182D3	WC 2	126A2
182C2	WC 8 TR	130A2
184B4	WR RC-5 OR READ RC-7	126A1
181C4	WD 52	130A5
181C3	WD 72	130A5
181C3	WD 320 OR WD 1088	130A5
181C4	WD 49	128A2
189C2	SEL + READY MOD 4	128A2
189B2	SEL + RDY HI 7330	128B2
186B1	729 HIGH DENSITY 800 OR 556 BPI	128A2
184C2	RC 4 TR	128B2
181B6	WR TM DRIVE	126A2
185B1	TU READY	

DATE	CHANGE NO	DATE	CHANGE NO	INTERNATIONAL BUSINESS MACHINES CORP
11.7.61	124688	17.10.61	TA 37927 B	FIG 180 REFERENCE SHEET
7-6-65	124688	18.OKT65	TA 32501 F	
DESIGN		TYPE		
DETAIL		SCALE		
CHECK		DRAW		
APPRO		CHECK		

723750

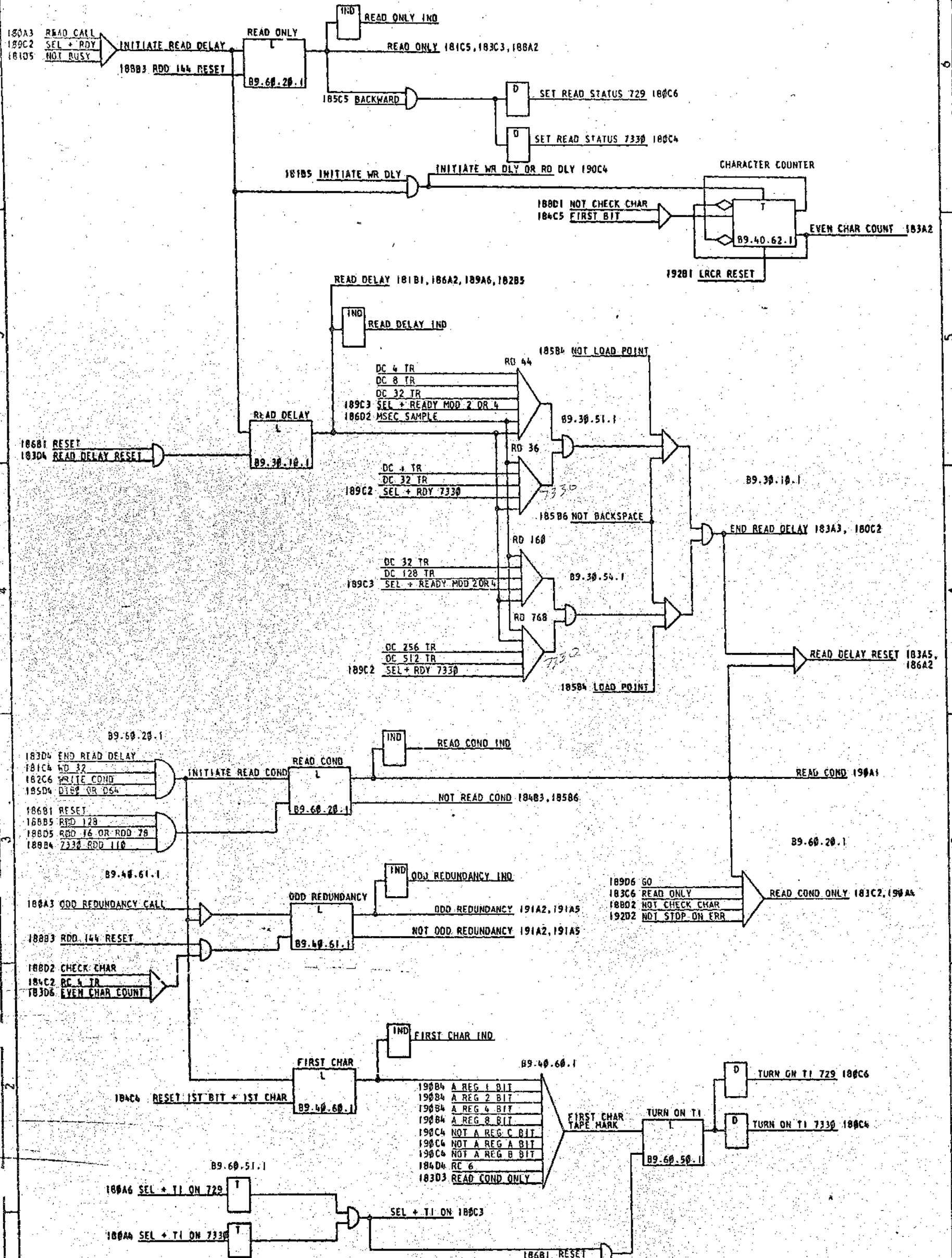


INTERNATIONAL BUSINESS MACHINES CORP					
DATE	CHANGE NO	DATE	CHANGE NO	FIG 181	WRITE CONTROLS I
9-7-61	1122268	17.10.61	TA 37927 B		
7-6-65	124688	18.OKT 65	TA 32501 F		
				DESIGN	TYPE
				DETAIL	SCALE
				CHECK	DRAW VE 6-5-6
				APPRO.	CHECK



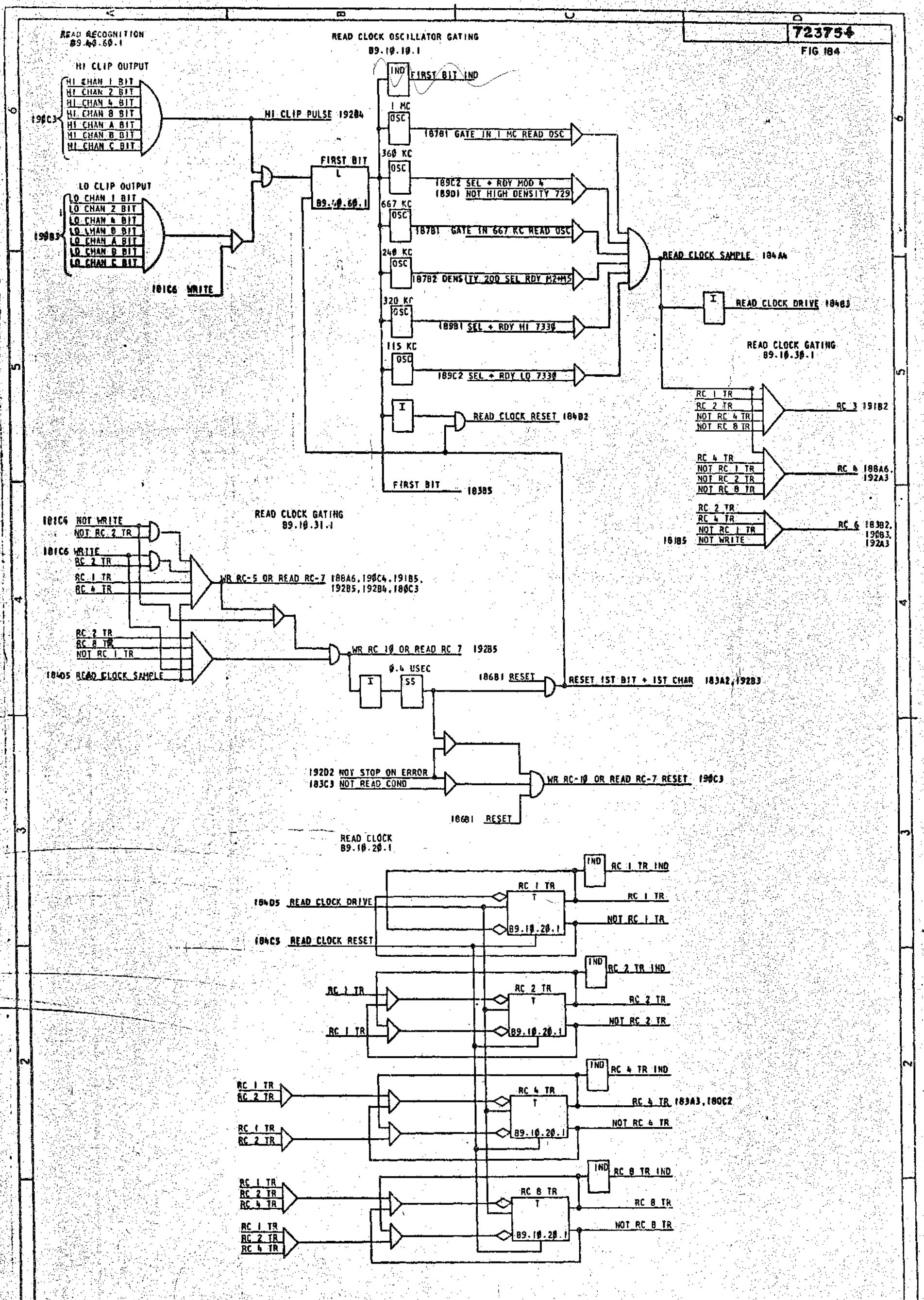
DATE	CHANGE NO	DATE	CHANGE NO	INTERNATIONAL BUSINESS MACHINES CORP
4-7-61	117,226 R	17.10.61	TA 37927 B	FIG. 182 WRITE CONTROLS 2
7-6-65	124688	18.0KT 65	TA 32501 F	
				DESIGN
				DETAIL
				CHECK
				APPRO
				TYPE
				SCALE
				DRAW VE 6-12-61
				CHECK

723752



DATE	CHANGE NO	DATE	CHANGE NO	INTERNATIONAL BUSINESS MACHINES CORP
9-7-61	112226B	17.10.61	TA 37927 B	FIG 183 READ CONTROLS I
7-6-65	124688	18.OKT 65	TA 32501 F	
				DESIGN
				DETAIL
				CHECK
				APPRO
				TYPE
				SCALE
				DRAW VE
				6-12-61
				CHECK

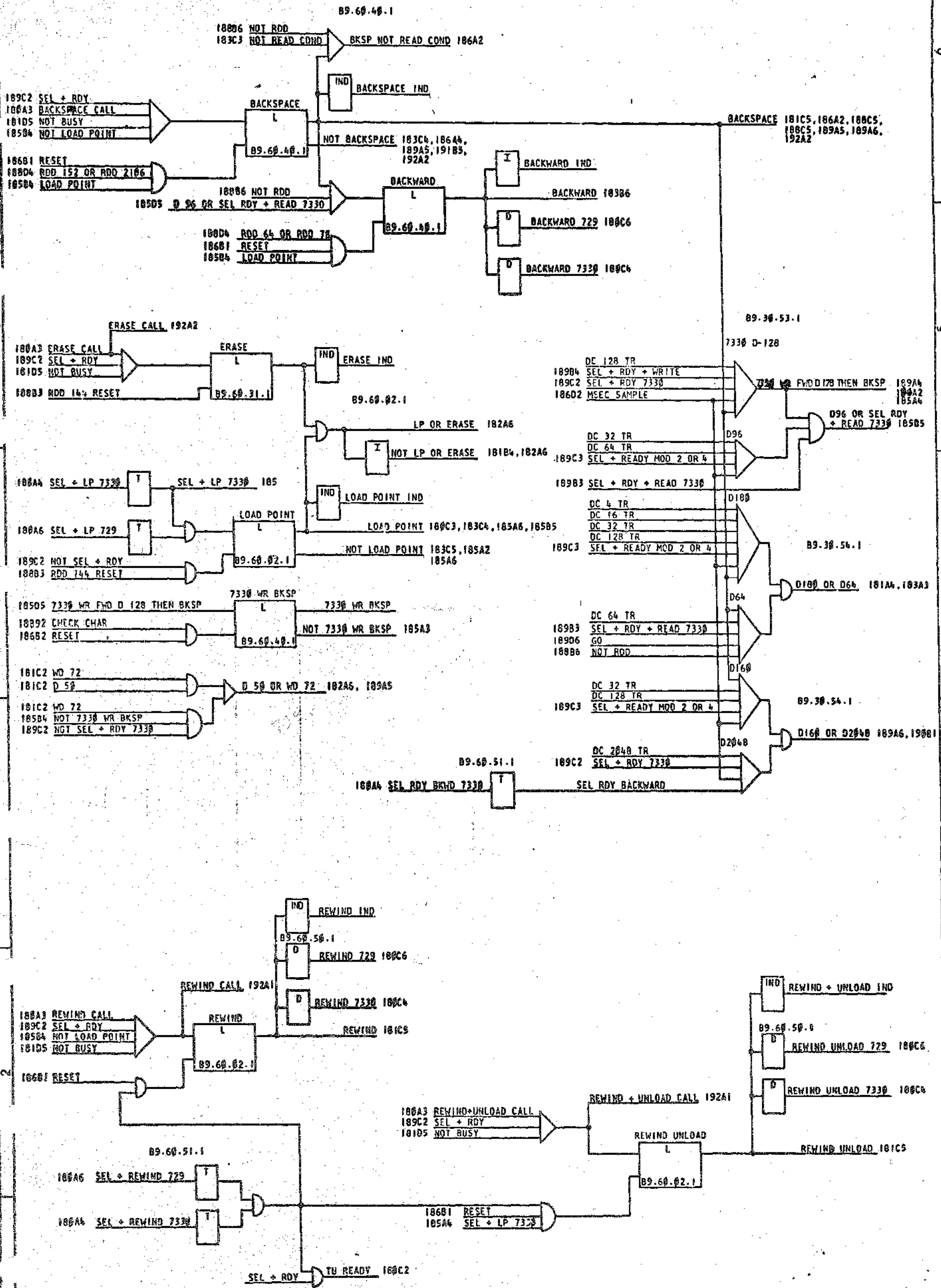
723753



DATE	CHANGE NO	DATE	CHANGE NO	INTERNATIONAL BUSINESS MACHINES CORP
9-7-61	112226 B	17.10.61	TA 37927 B	FIG 184 READ CONTROLS 2
7-6-65	124688	18.OKT 65	TA 32501 F	
				DESIGN
				DETAIL
				CHECK
				APPRO
				TYPE
				SCALE
				DRAW VE
				CHECK

401071

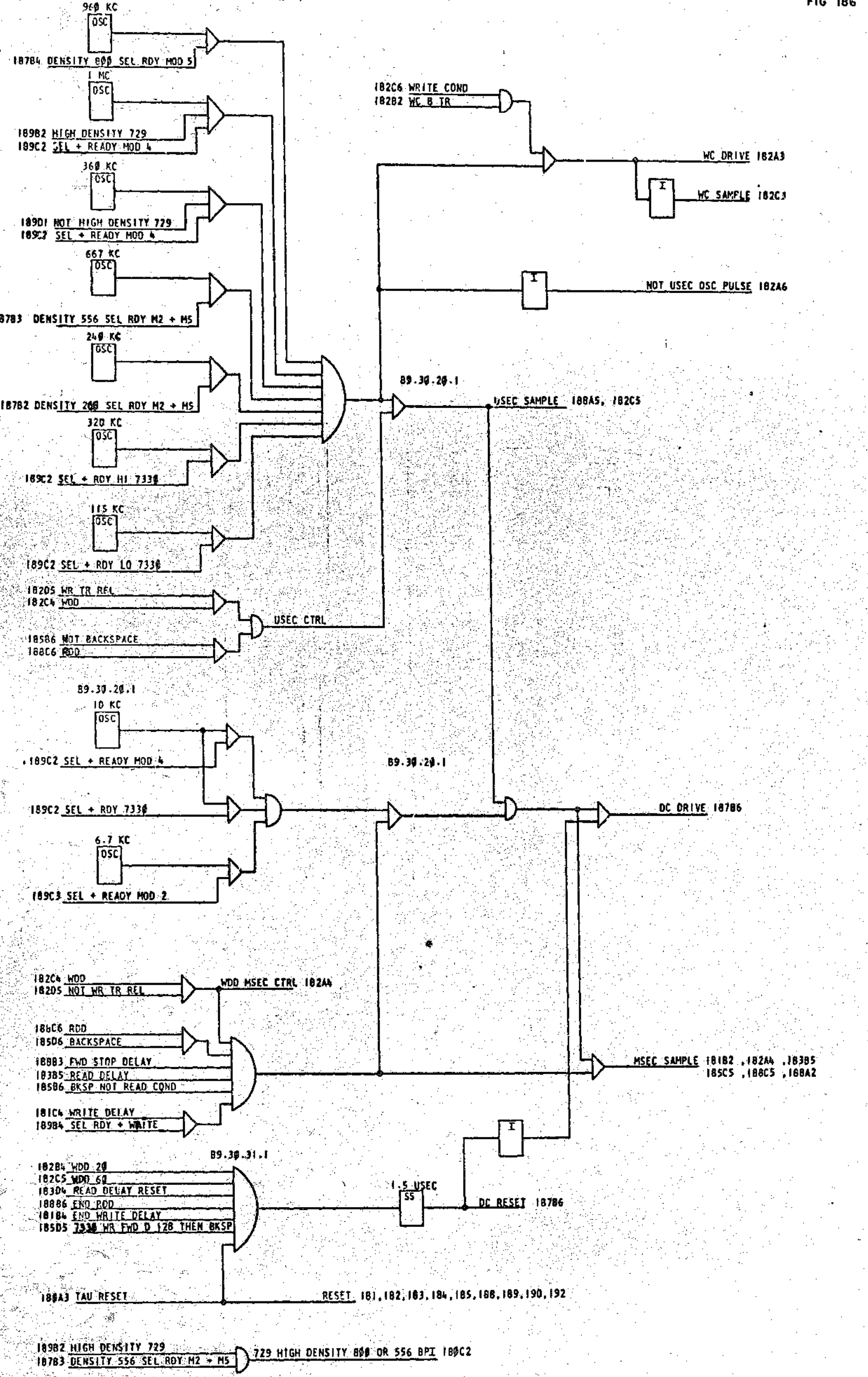




DATE	CHANGE NO.	DATE	CHANGE NO.	INTERNATIONAL BUSINESS MACHINES CORP.
9-7-61	112226 B	17.10.61	TA 37927 B	FIG. 185 BACKSPACE ERASE
7-6-65	124688	18. OKT 65		REWIND AND REWIND UNLOAD
			TA 32501 F	DESIGN
				DETAIL
				CHECK
				APPRO
				TYPE
				SCALE
				DRAW
				VE
				6-14-61
				CHECK

723755

WRITE CLOCK AND DELAY COUNTER OSCILLATOR GATING  
89-20-10-1



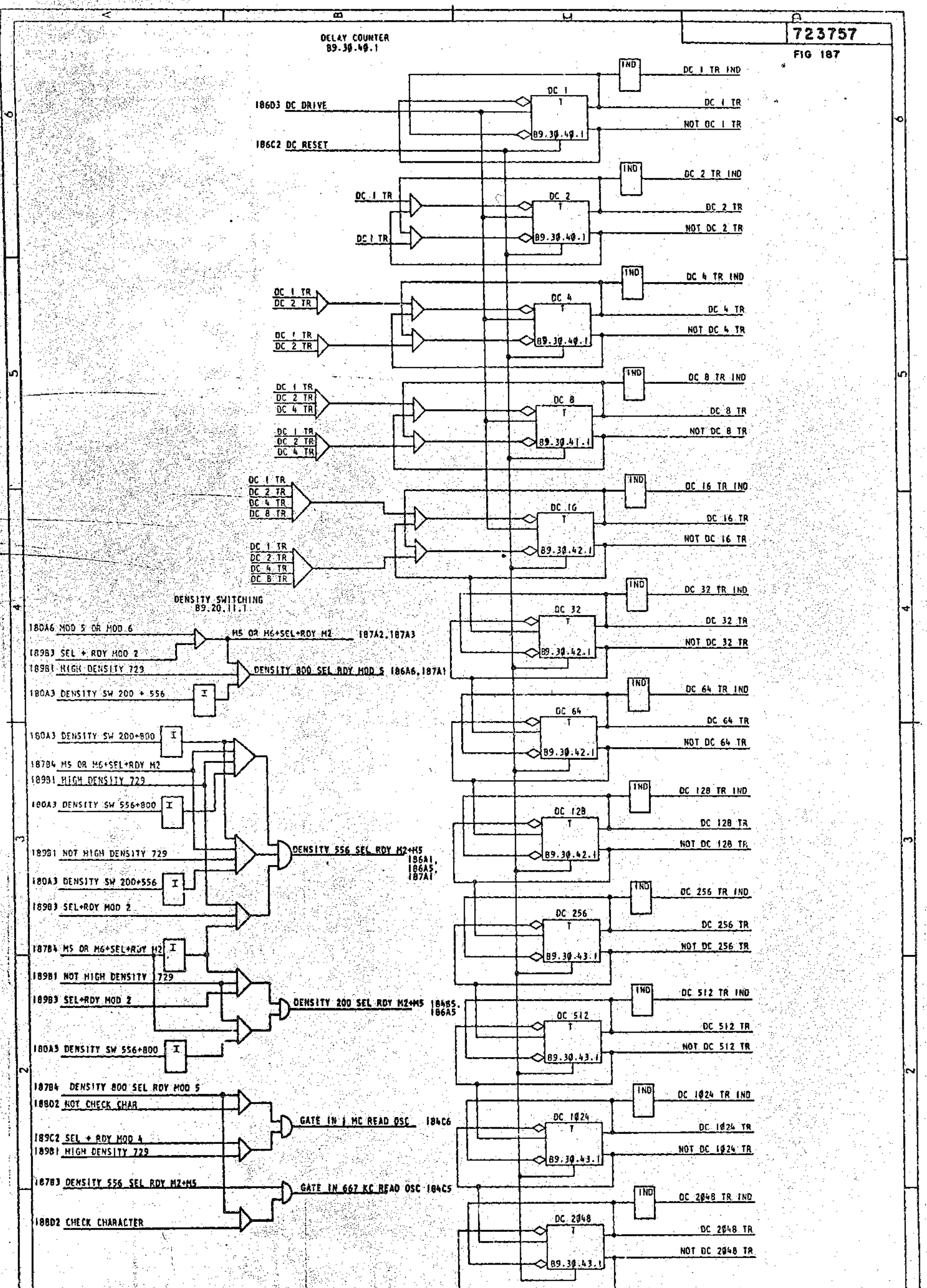
DATE	CHANGE NO	DATE	CHANGE NO	INTERNATIONAL BUSINESS MACHINES CORP
9-7-61	112226B	17.10.61	TA 37927 B	FIG 186 WR CLOCK AND DLY
7-6-65	12468B	18.OKT 65	TA 32501 F	COUNTER OSC GATING
				DESIGN
				DETAIL
				CHECK
				APPRO
				TYPE
				SCALE
				DRAW
				CHECK
				VE 6-5-67

723756

DELAY COUNTER  
89.30.40.1

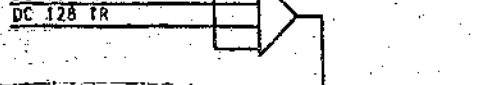
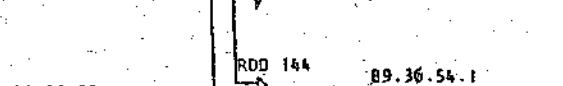
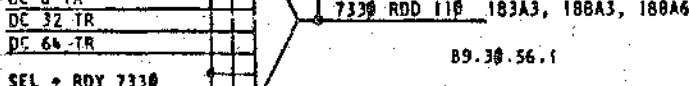
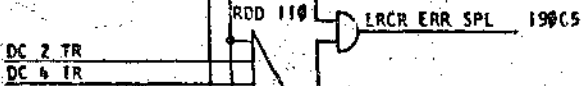
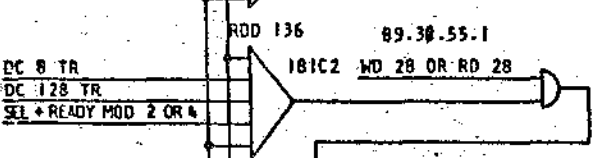
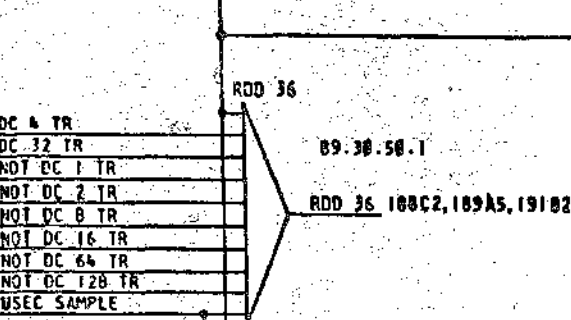
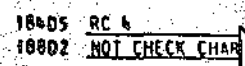
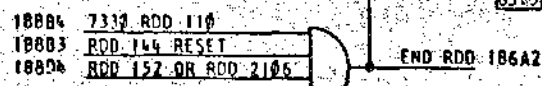
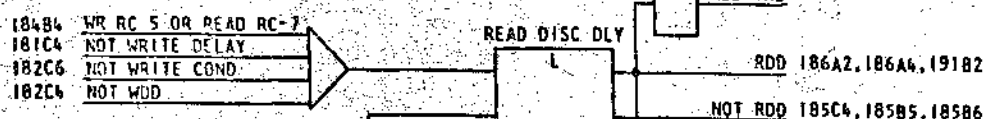
723757

FIG 187

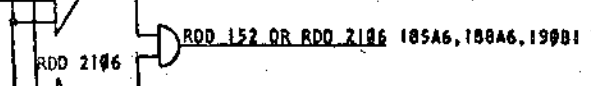
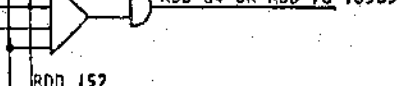
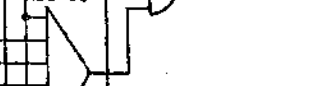
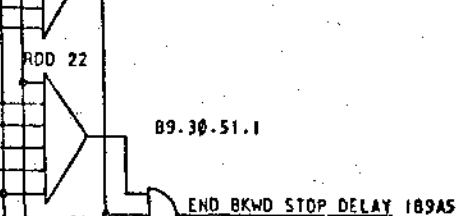
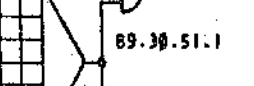
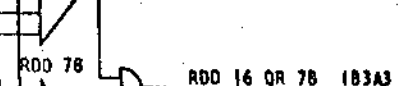
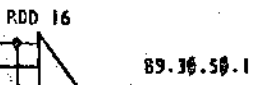
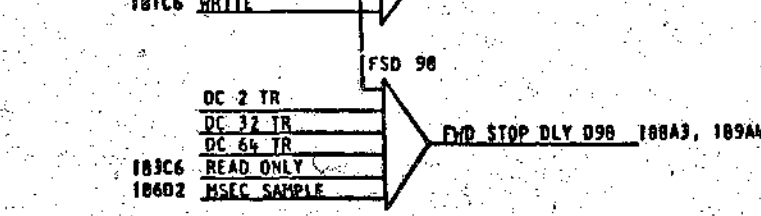
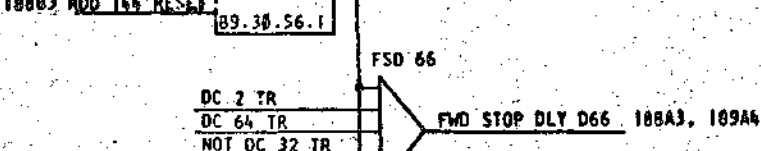
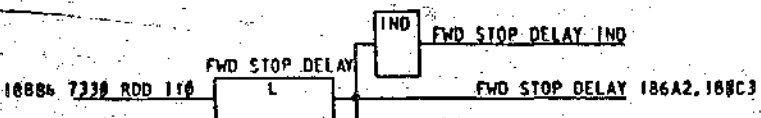


DATE	CHANGE NO	DATE	CHANGE NO	INTERNATIONAL BUSINESS MACHINES CORP
9-7-61	112226 B	17.10.61	TA 37927 B	FIG 187 DELAY COUNTER+
7-6-65	124688	18.OKT 65	TA 22501 F	DENSITY SWITCHING
				DESIGN
				DETAIL
				CHECK
				APPRO
				TYPE
				SCALE
				DRAW VE 6-5-61
				CHECK

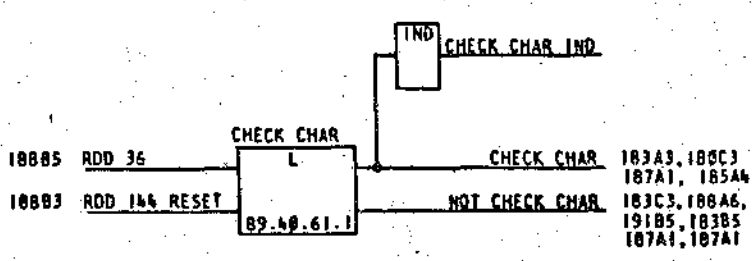
READ DISCONNECT DELAY  
89.30.10.1



FORWARD STDP DELAY  
89.30.56.1

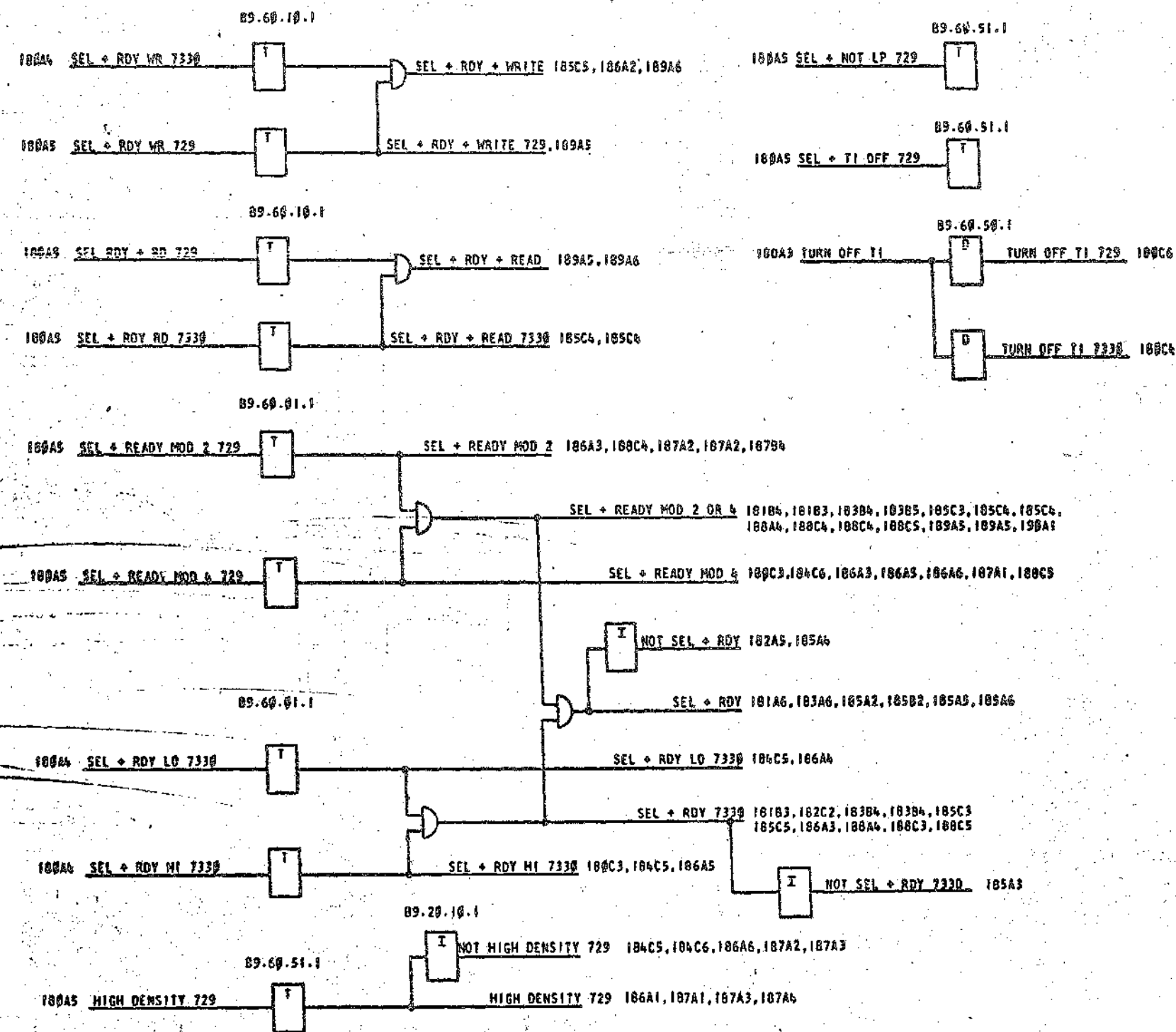
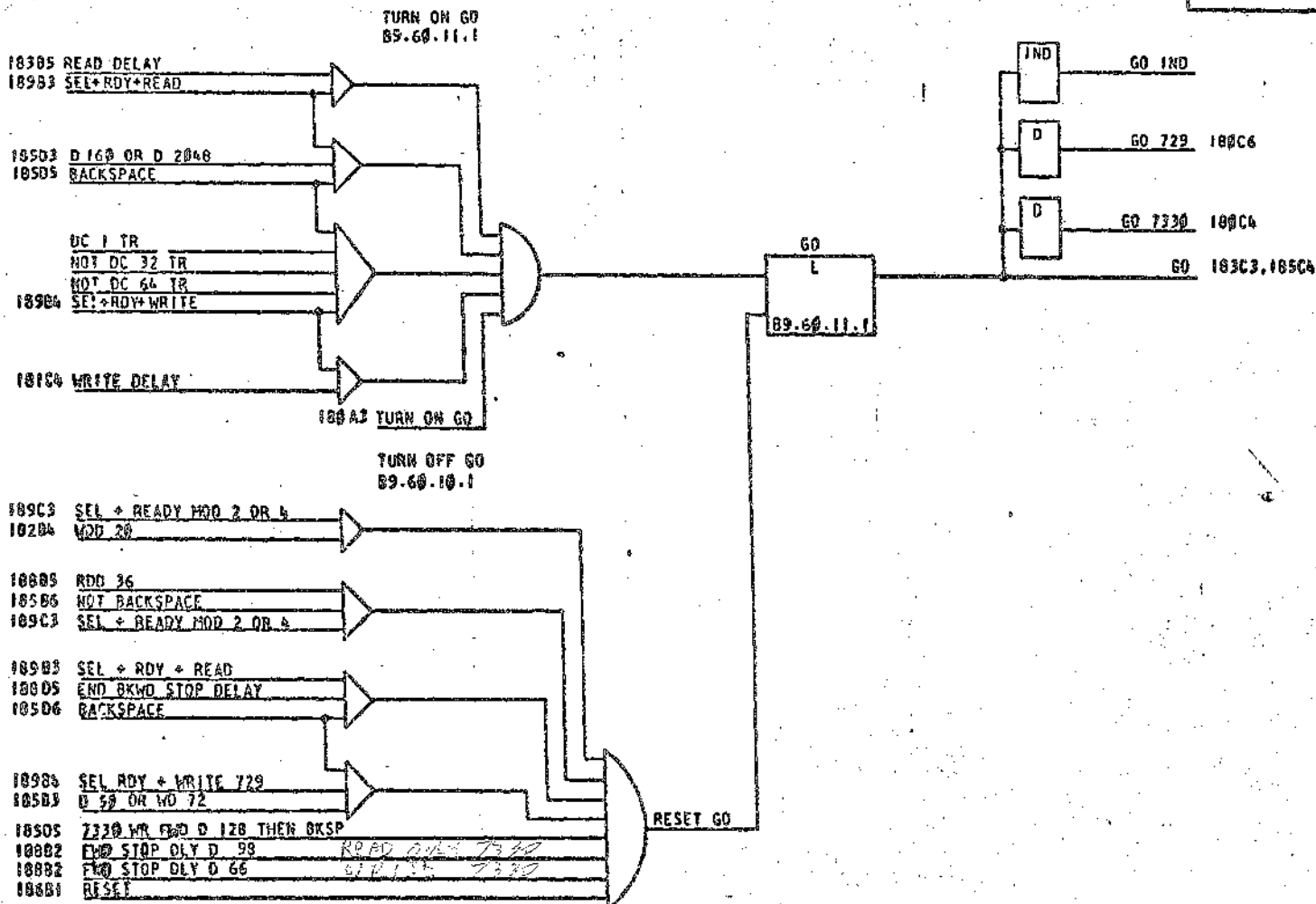


CHECK CHARACTER LATCH  
89.40.61.1

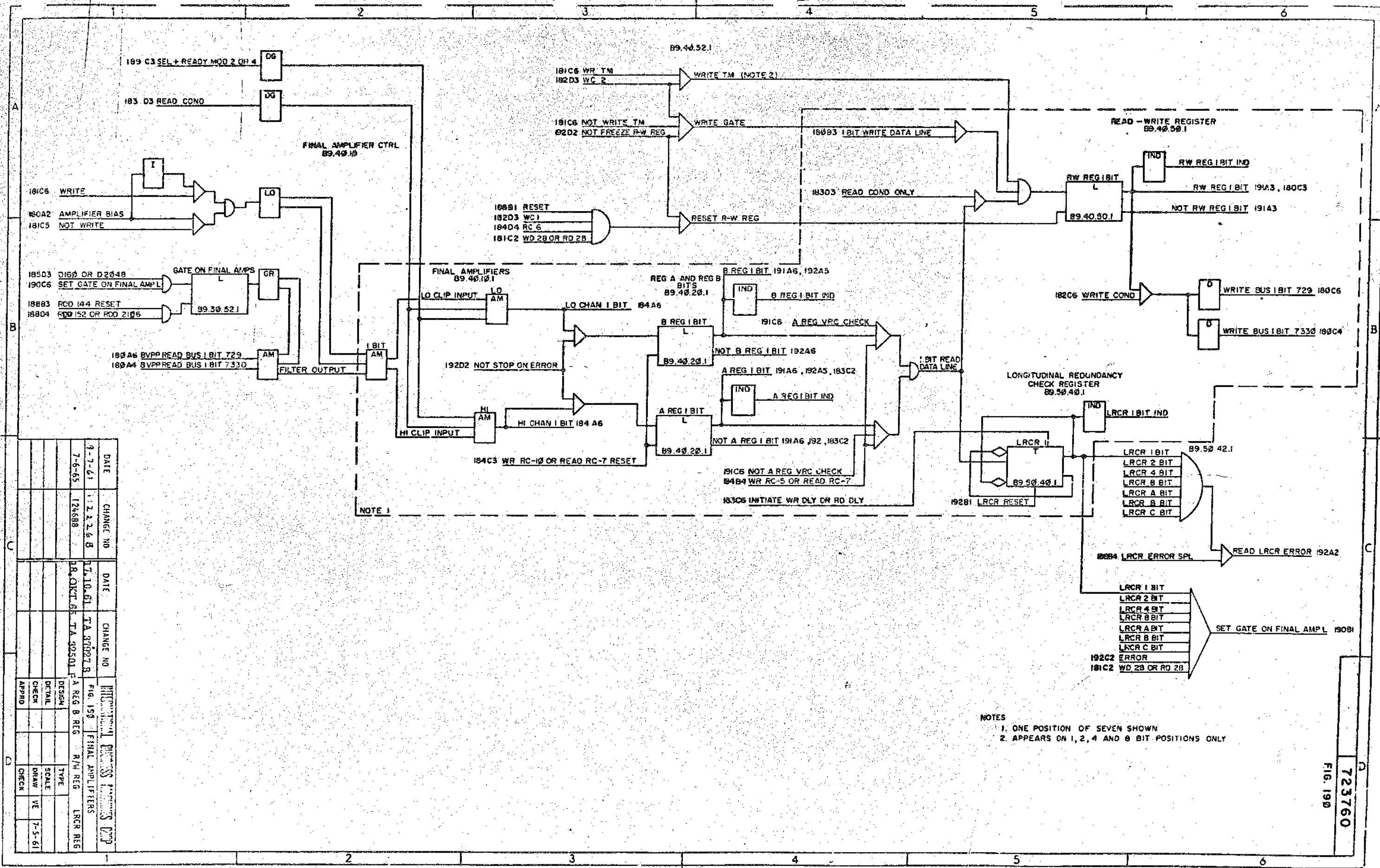


DATE	CHANGE NO.	DATE	CHANGE NO.	INTERNATIONAL BUSINESS MACHINES CORP.
9-7-61	117,226 B	17.10.61	TA 37927 B	FIG 108 READ DISC DELAY
7-6-65	124688	18.OKT65	TA 32501 F	FORWARD STOP DLY AND CHECK CHAR
				DESIGN
				TYPE
				DETAIL
				SCALE
				CHECK
				DRAW VE 6-14-61
				APPRO
				CHECK

723758



DATE	CHANGE NO	DATE	CHANGE NO	INTERNATIONAL BUSINESS MACHINES CORP
9-7-61	1121248	17.10.61	TA 37927 B	FIG 189 GO AND TP DRV INPUT
7-6-65	124688	18.OKT 65	TA 32501 F	OUTPUT LINES
				DESIGN
				DETAIL
				CHECK
				APPRO
				TYPE
				SCALE
				DRAW VC 16-14-61
				CHECK



DATE	CHANGE NO	DATE	CHANGE NO
9-7-61	1	7-10-61	TA 87027B
7-6-65	124688	10-OCT-61	TA 92501F

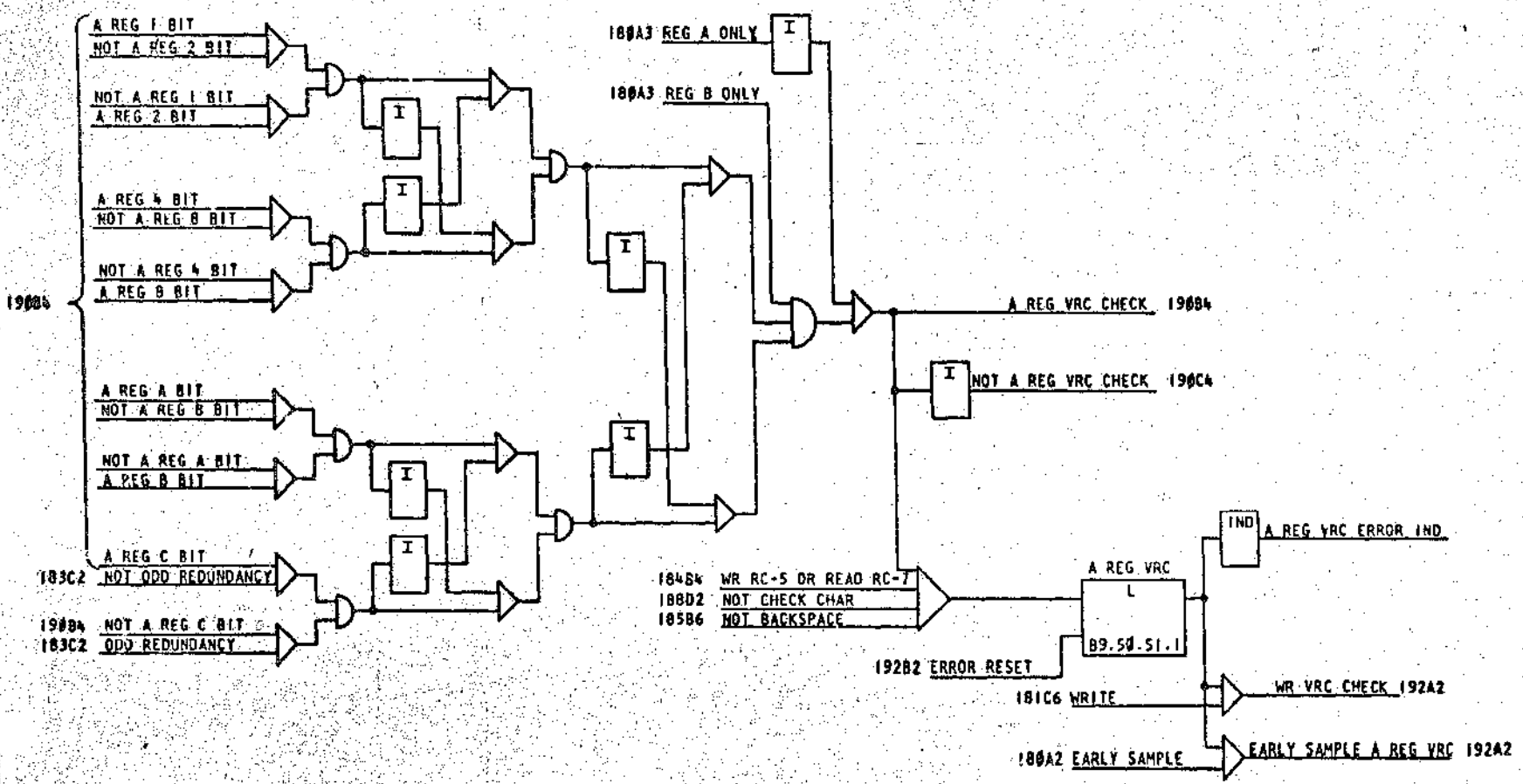
DESIGN	TYPE	SCALE	DATE
FIG. 150	FINAL AMPLIFIERS		7-5-61

NOTES  
 1. ONE POSITION OF SEVEN SHOWN  
 2. APPEARS ON 1, 2, 4 AND 8 BIT POSITIONS ONLY

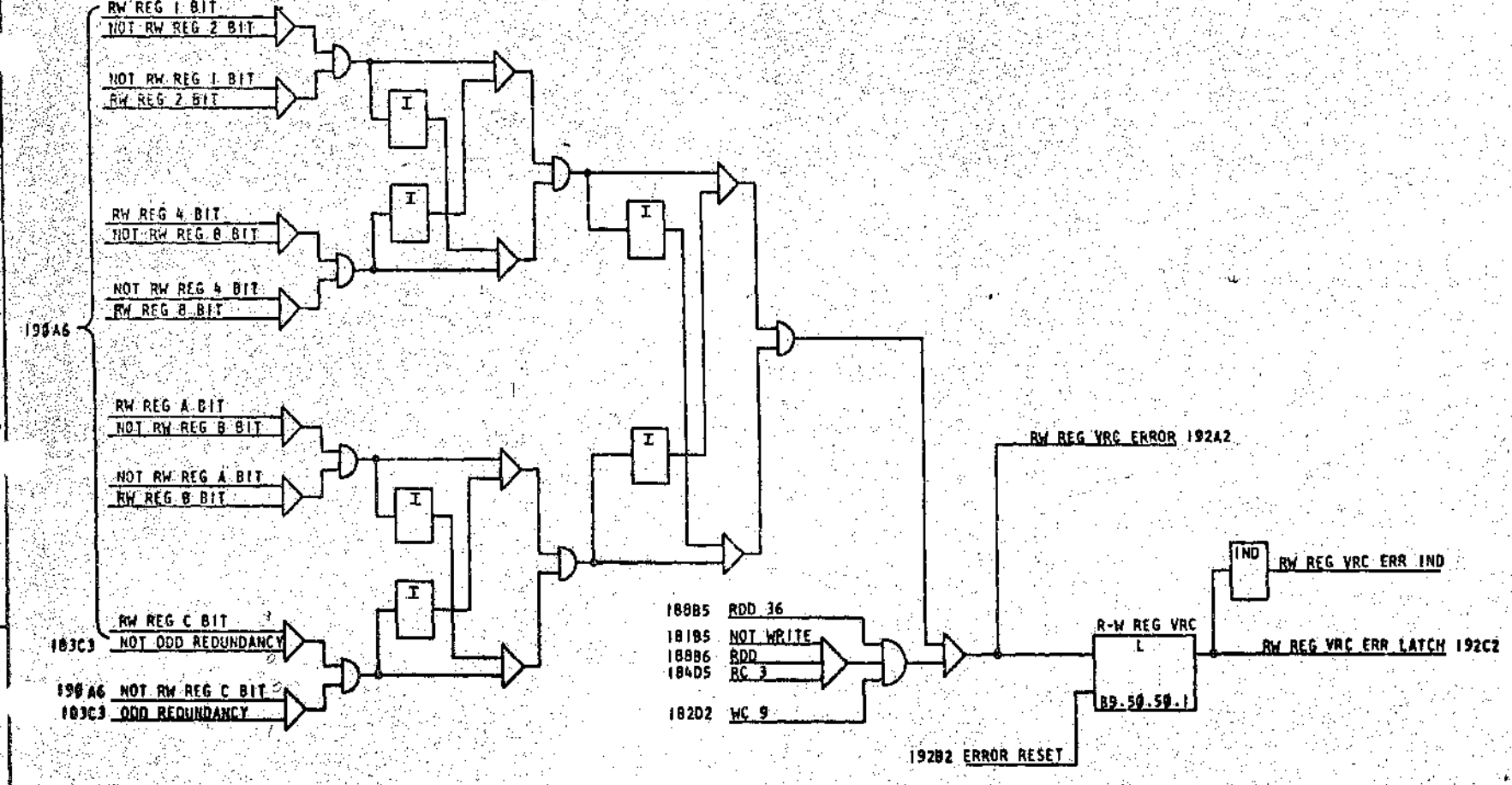
723760  
 FIG. 190

00/871

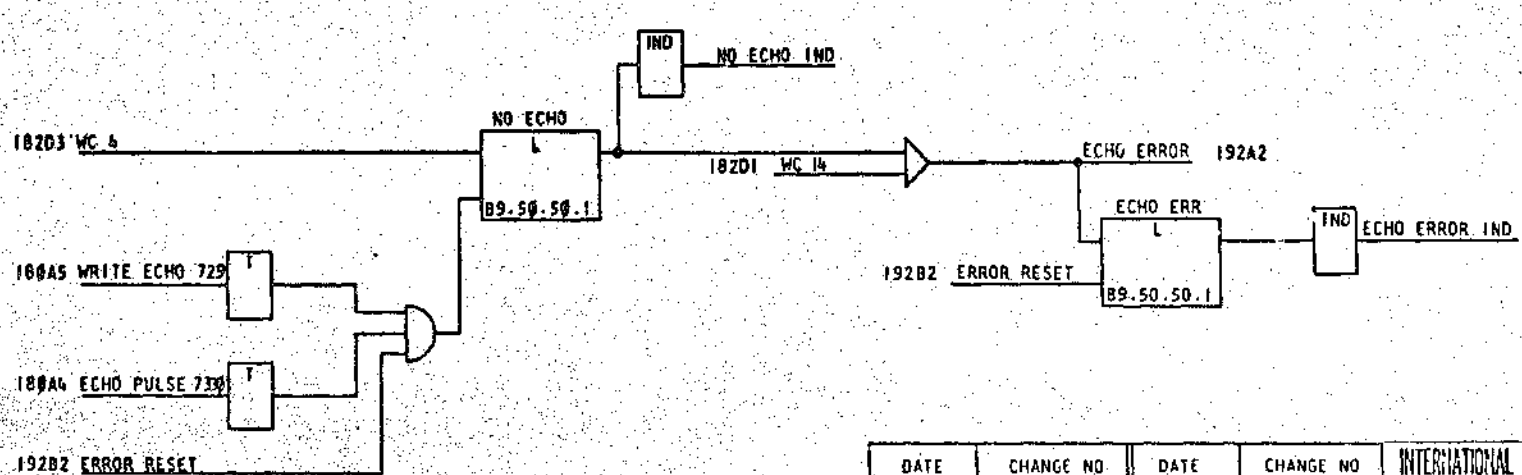
A REG VRC  
89.50.10.1



READ WRITE REG VRC  
89.50.20.1

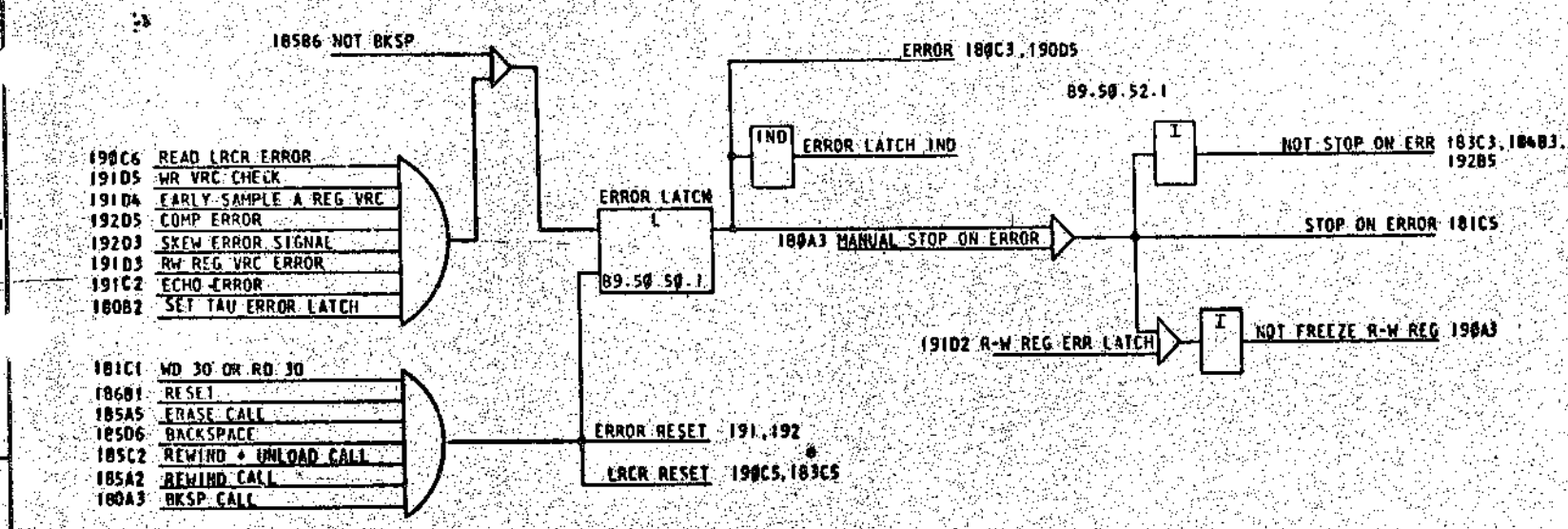
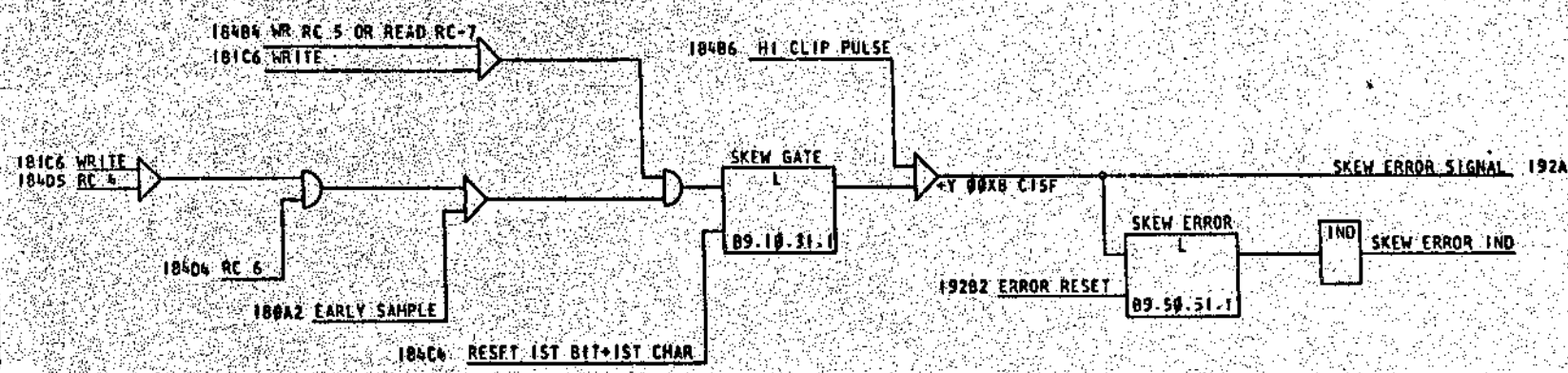
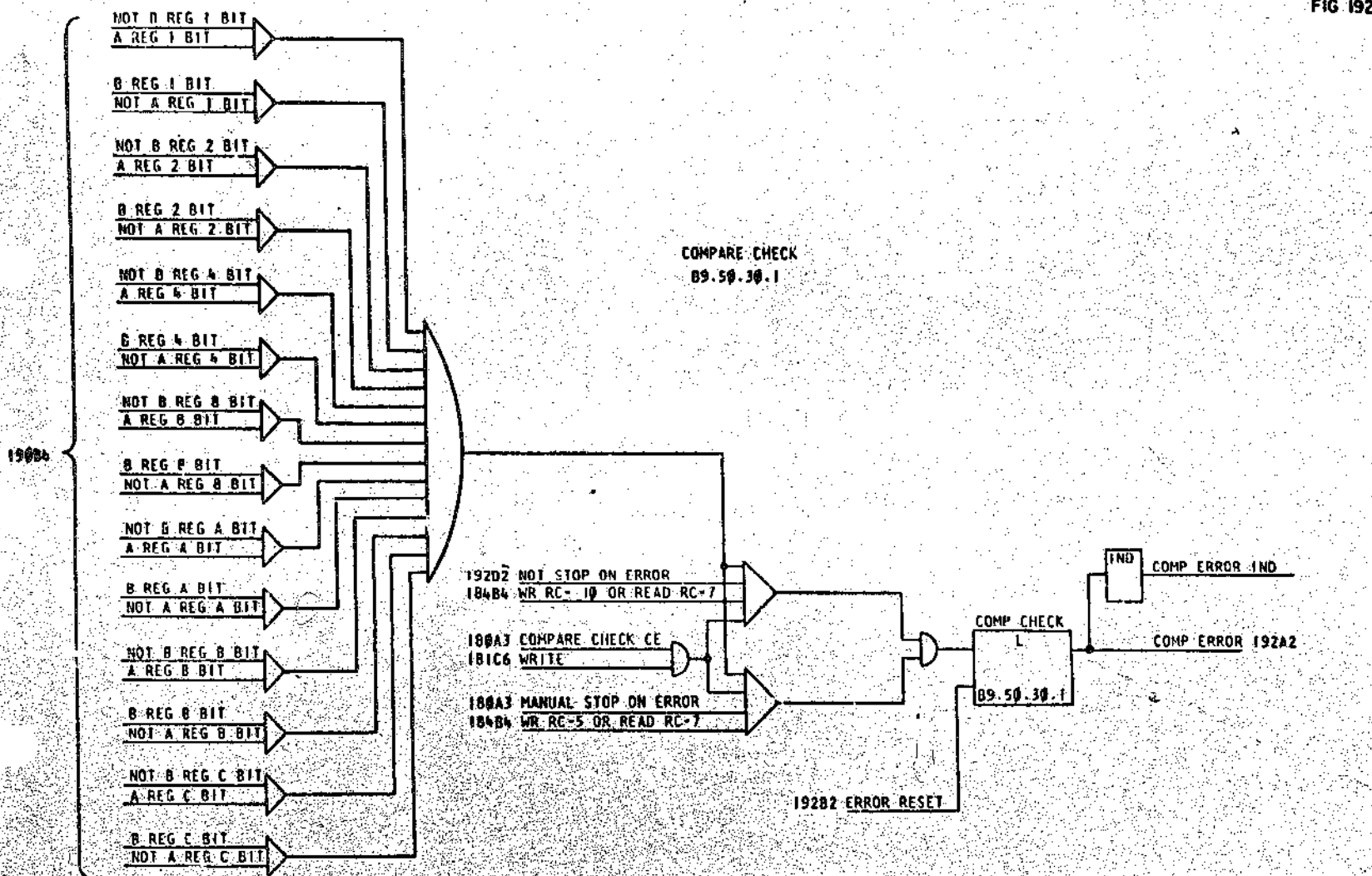


ECHO ERROR  
89.50.50.1



INTERNATIONAL BUSINESS MACHINES CORP					
DATE	CHANGE NO	DATE	CHANGE NO	FIG 191	ERROR CIRCUITS I
9-7-61	1122268	17-10-61	TA 37927 B		
7-6-65	124688	18-OCT-65	TA 32501 F		
				DESIGN	TYPE
				DETAIL	SCALE
				CHECK	DRAW VE 6-3-61
				APPRO	CHECK

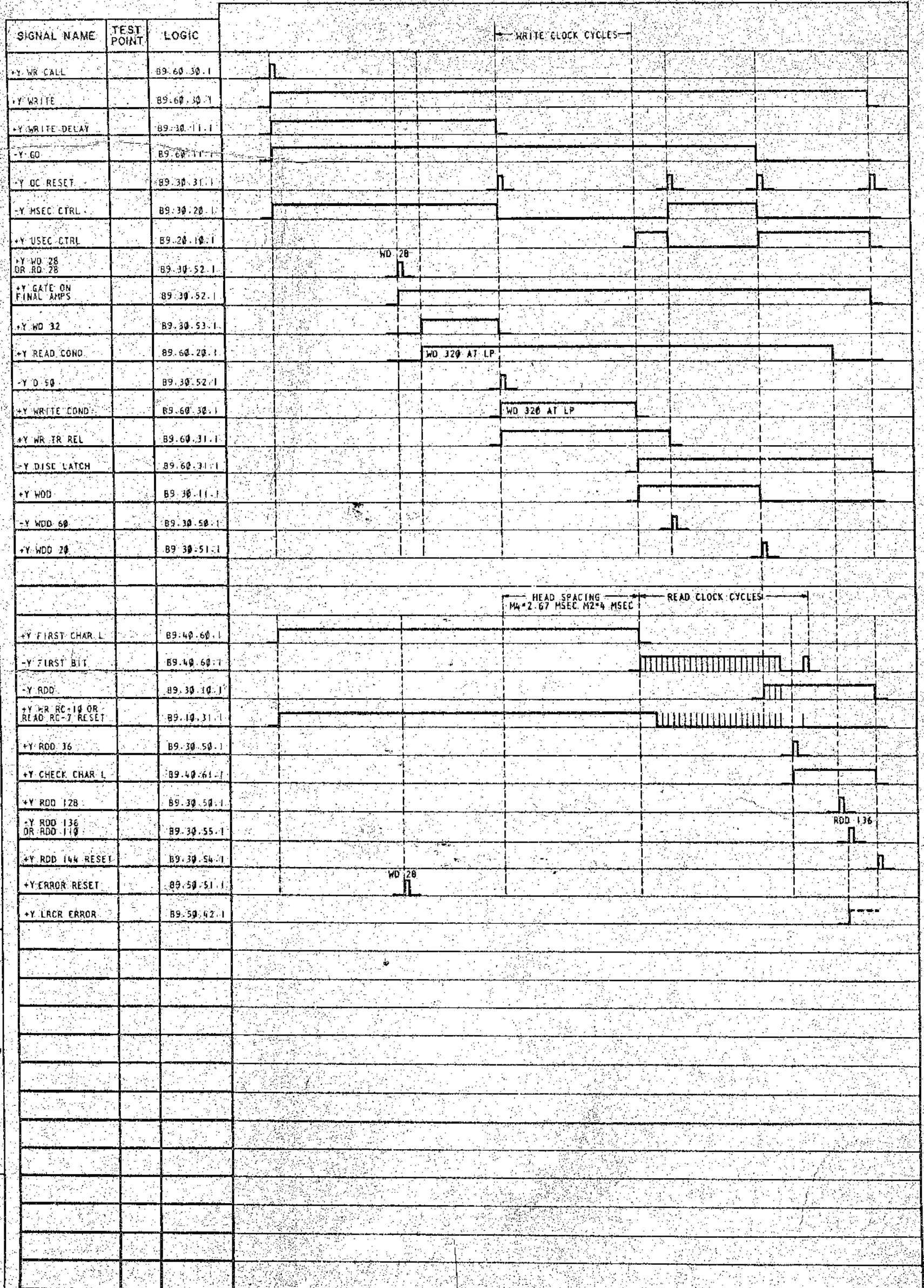
723761



DATE		CHANGE NO		INTERNATIONAL BUSINESS MACHINES CORP			
4-1-61	1122268	17.10.61	TA 37927 B	FIG 192		ERROR CIRCUITS 2	
7-6-65	124688	18.OKT65	TA 32501 F	DESIGN	TYPE	SCALE	
				DETAIL		DRAW	VE
				CHECK		CHECK	6-3-64
				APPRO			

723762



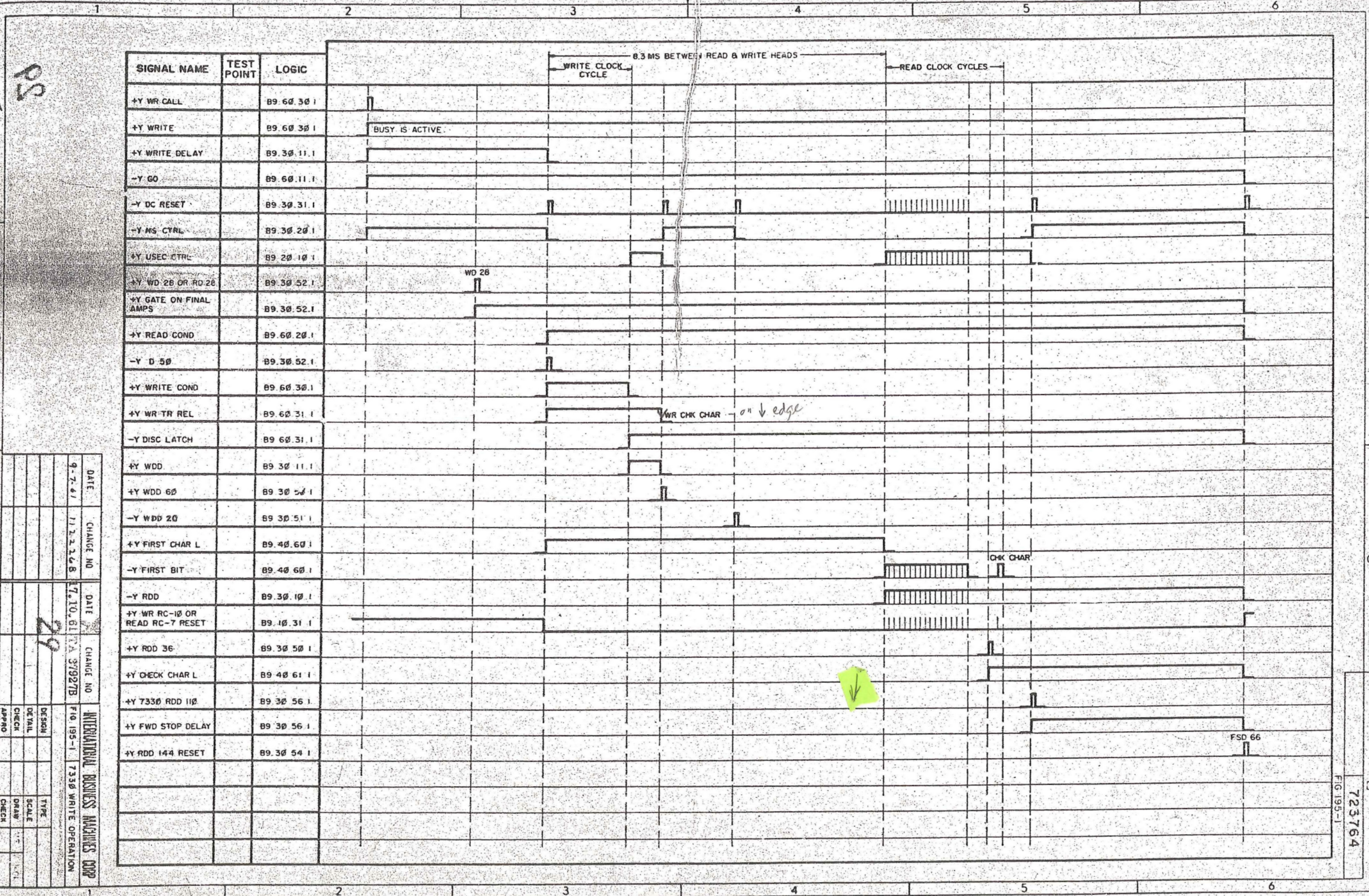


82

DATE	CHANGE NO	DATE	CHANGE NO	INTERNATIONAL BUSINESS MACHINES CORP	
9/7/61	11226 B	17.10.61	28	FIG 195	729
WRITE OPERATION					
				DESIGN	TYPE
				DETAIL	SCALE
				CHECK	DRAW VE 6-27-61
				APPRO	CHECK

318 115 017518

28



SIGNAL NAME	TEST POINT	LOGIC
+Y WR CALL	B9 60 30 I	
+Y WRITE	B9 60 30 I	BUSY IS ACTIVE.
+Y WRITE DELAY	B9 30 11 I	
-Y GO	B9 60 11 I	
-Y DC RESET	B9 30 31 I	
-Y MS CTRL	B9 30 20 I	
+Y USEC CTRL	B9 20 10 I	
+Y WD 28 OR RD 28	B9 30 52 I	WD 28
+Y GATE ON FINAL AMPS	B9 30 52 I	
+Y READ COND	B9 60 20 I	
-Y D 50	B9 30 52 I	
+Y WRITE COND	B9 60 30 I	
+Y WR TR REL	B9 60 31 I	WR CHK CHAR - on ↓ edge
-Y DISC LATCH	B9 60 31 I	
+Y WDD	B9 30 11 I	
+Y WDD 60	B9 30 50 I	
-Y WDD 20	B9 30 51 I	
+Y FIRST CHAR L	B9 40 60 I	
-Y FIRST BIT	B9 40 60 I	
-Y RDD	B9 30 10 I	
+Y WR RC-10 OR READ RC-7 RESET	B9 10 31 I	
+Y RDD 36	B9 30 50 I	
+Y CHECK CHAR L	B9 40 61 I	CHK CHAR
+Y 7330 RDD 110	B9 30 56 I	
+Y FWD STOP DELAY	B9 30 56 I	
+Y RDD 144 RESET	B9 30 54 I	FSD 66

DATE	9-7-61	CHANGE NO	1122268
DATE	7-10-61	CHANGE NO	37927B
DATE	7-10-61	CHANGE NO	37927B
DATE	7-10-61	CHANGE NO	37927B

29

DESIGN	TYPE
CHECK	SCALE
APPROV	DRAW
	CHECK

INTERNATIONAL BUSINESS MACHINES CORP  
F10 195-1 7330 WRITE OPERATION

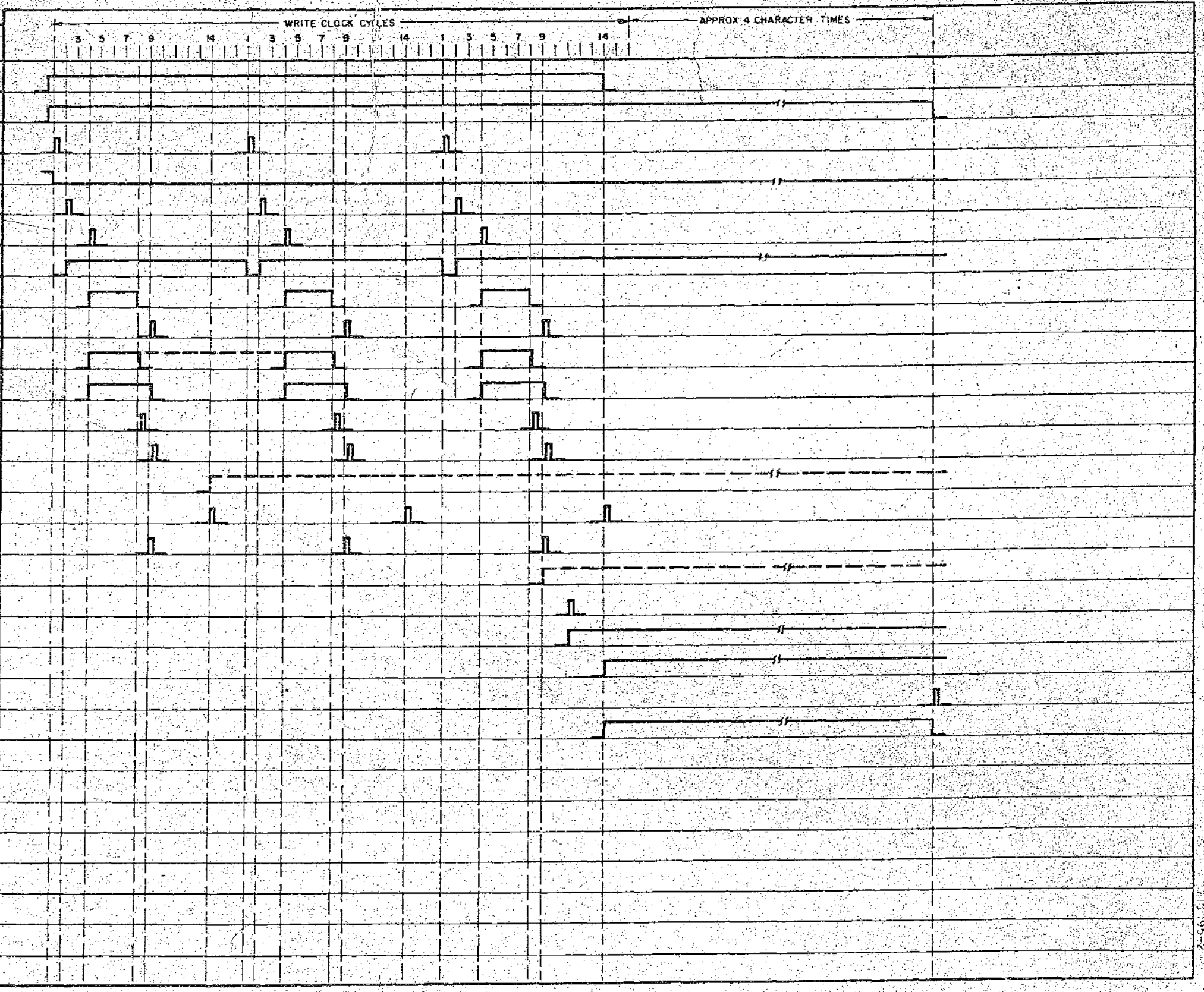
723764  
FIG 195-1

29

401071 842578

30

SIGNAL NAME	TEST POINT	LOGIC
+Y WRITE COND		B9.60.30.1
+Y WR TR REL		B9.60.31.1
+Y WC 1		B9.20.30.1
+Y WRITE DELAY		B9.30.11.1
-Y WC 2		B9.20.30.1
+Y WC 4		B9.20.30.1
+Y R-W REG 1 BIT		B9.40.50.1
-N WRITE PULSE 7330		B9.60.50.1
-N WRITE PULSE 729		B9.60.50.1
+Y NO ECHO (7330)		B9.50.50.1
+Y NO ECHO (729)		B9.50.50.1
-N ECHO PULSE 7330		B9.50.50.1
-N WRITE ECHO 729		B9.50.50.1
+Y ECHO ERROR		B9.50.50.1
-Y WC 14		B9.20.30.1
+Y WC 9		B9.20.30.1
-Y R-W REG ERR LATCH		B9.50.50.1
+Y DISC CALL		B9.60.31.1
-Y DISC LATCH		B9.60.31.1
+Y WDD		B9.30.11.1
-Y WDD 60		B9.30.50.1
+Y USEC CTRL		B9.20.10.1

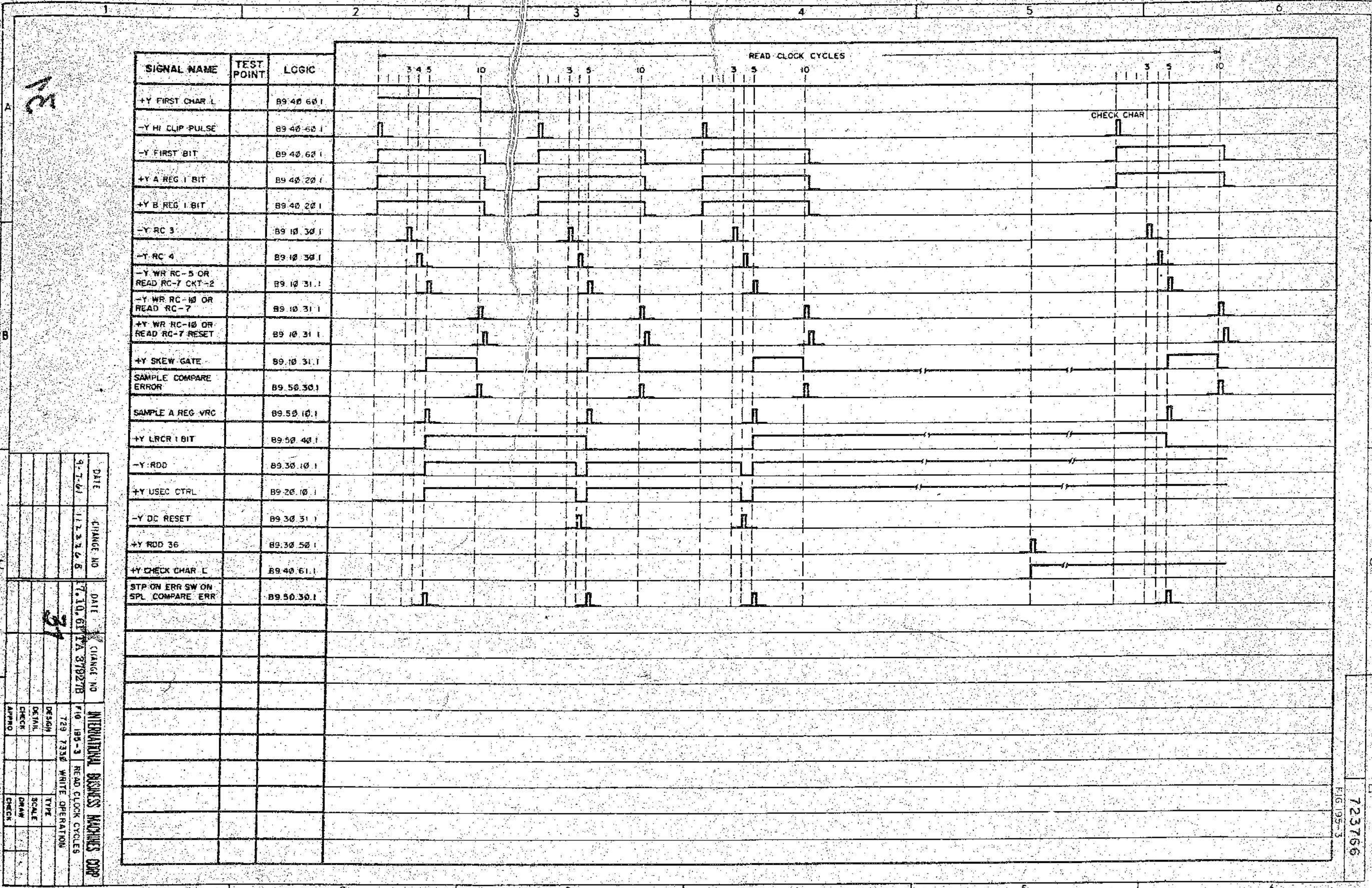


DATE	CHANGE NO	DATE	CHANGE NO	INTERNATIONAL BUSINESS MACHINES CORP
9-7-61	1121265	17.10.01 TA 37927B	729 7330	WRITE CLOCK CYCLES
				TYPE
				SCALE
				DRAW
				VE
				NO
				OR

723765

30

017510

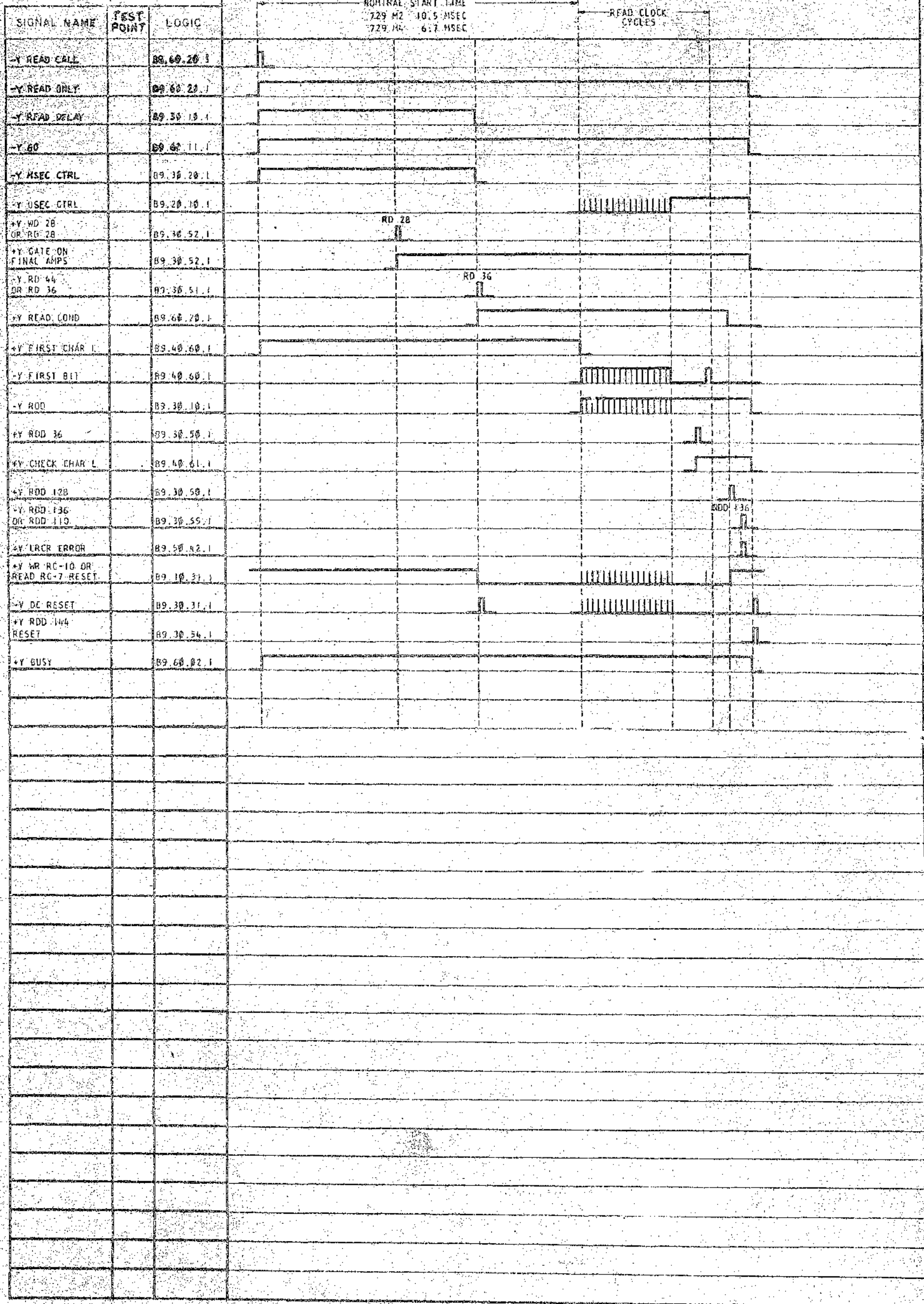


DATE	CHANGE NO.	DATE	CHANGE NO.	DESIGN	TYPE
9-7-61	1123128	7-10-61	319278	729 7330	WRITE OPERATION
				DRAW	SCALE
				CHECK	DRAW
				APPD	CHECK

INTERNATIONAL BUSINESS MACHINES CORP.  
F10 1B5-3 READ CLOCK CYCLES

FIG 105-3  
123766

31  
992 972 723 766

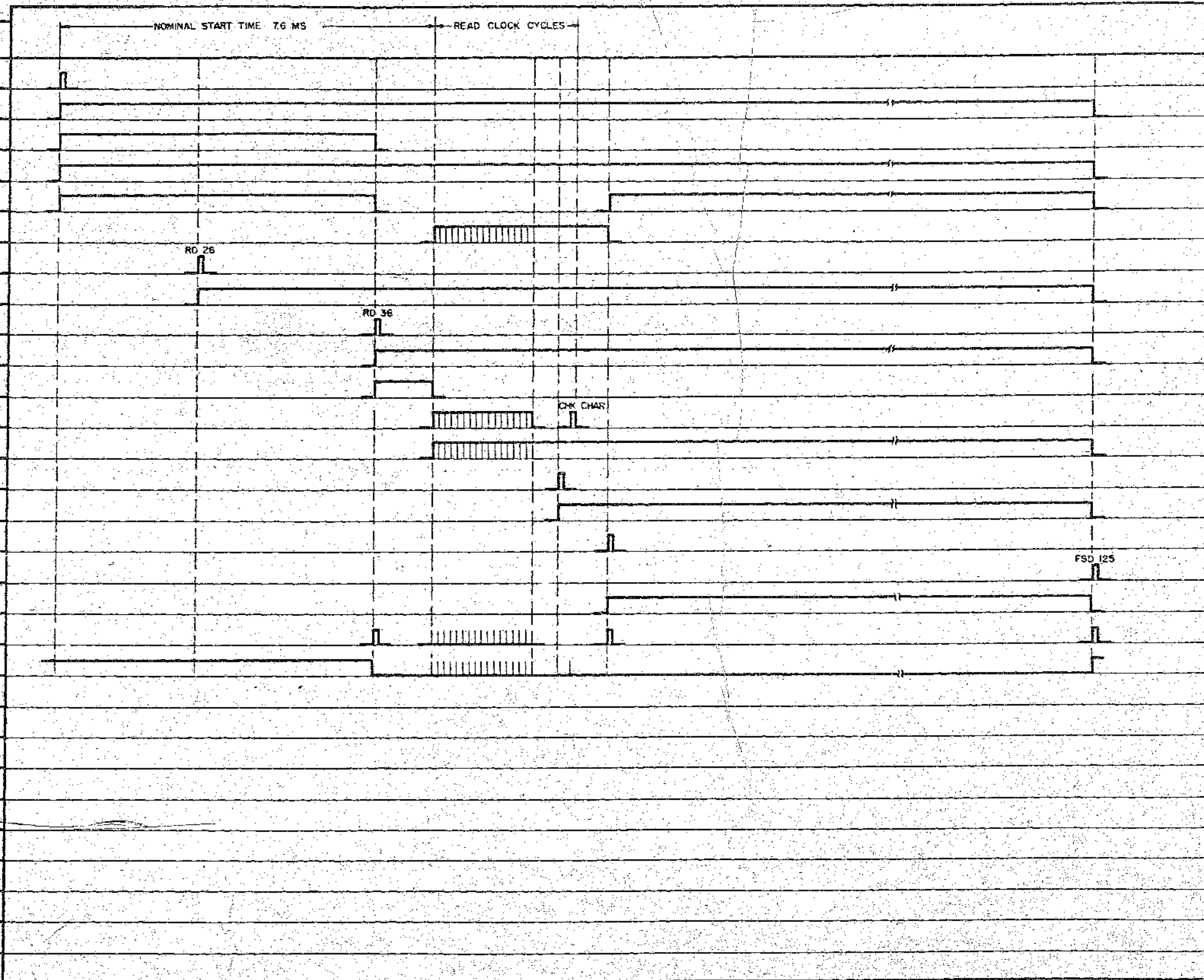


DATE	CHANGE NO	DATE	CHANGE NO	INTERNATIONAL BUSINESS MACHINES CORP	
9-3-61	112216B	17.10.61	TA 37927B	FIG 196	723 READ OPERATION
			32	DESIGN	TYPE
				DETAIL	SCALE
				CHECK	DRAW VE 7-12-61
				APPRO	CHECK

101 0271 817615

32

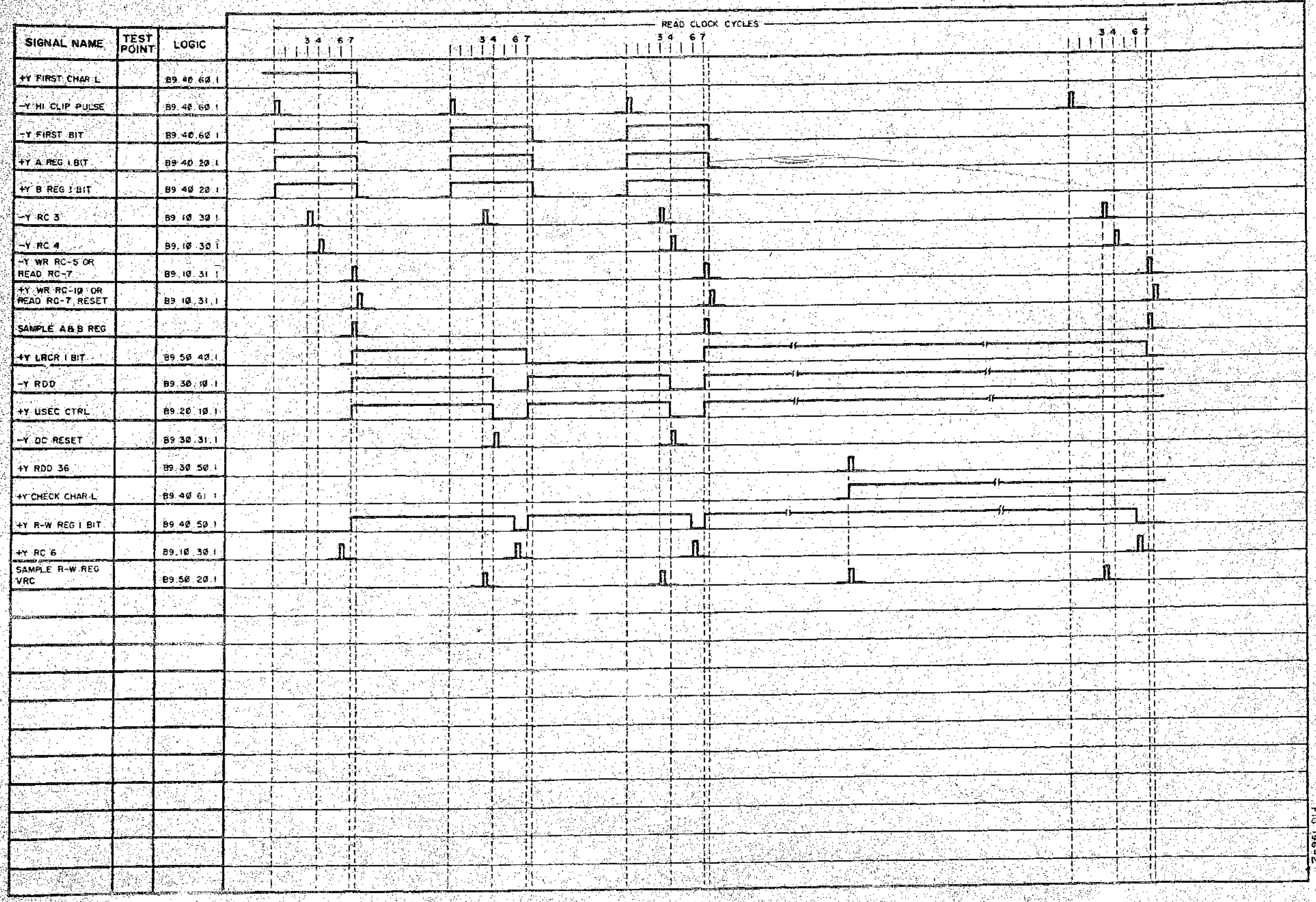
SIGNAL NAME	TEST POINT	LOGIC
-Y READ CALL		B9.60.20.1
-Y READ ONLY		B9.60.20.1
-Y READ DELAY		B9.30.10.1
-Y RD		B9.60.11.1
-Y MS CTRL		B9.30.20.1
+Y USEC CTRL		B9.20.10.1
+Y WD 28 OR RD 28		B9.30.52.1
+Y GATE ON FINAL AMPS		B9.30.52.1
-Y RD 44 OR RD 36		B9.30.51.1
+Y READ COND		B9.60.20.1
+Y FIRST CHAR L		B9.40.60.1
-Y FIRST BIT		B9.40.60.1
-Y RDD		B9.30.10.1
+Y RDD 36		B9.30.50.1
+Y CHECK CHAR L		B9.40.61.1
+Y 7330 RDD 140		B9.30.50.1
+Y RDD 144 RESET		B9.30.54.1
+Y FWD STOP DELAY		B9.30.56.1
-Y DC RESET		B9.30.31.1
+Y WB RC-10 OR READ RC-7 RESET		B9.10.31.1



DATE	CHANGE NO.	DATE	CHANGE NO.	DESIGN	TYPE
9-7-61	117224 B	7-10-61	TA 37927B	DETAIL	SCALE
				CHECK	DRAW
				APP'G	DATE

INTERNATIONAL BUSINESS MACHINES CORP.  
FIG. 196-1 7330 READ OPERATION

723769  
FIG. 196-1



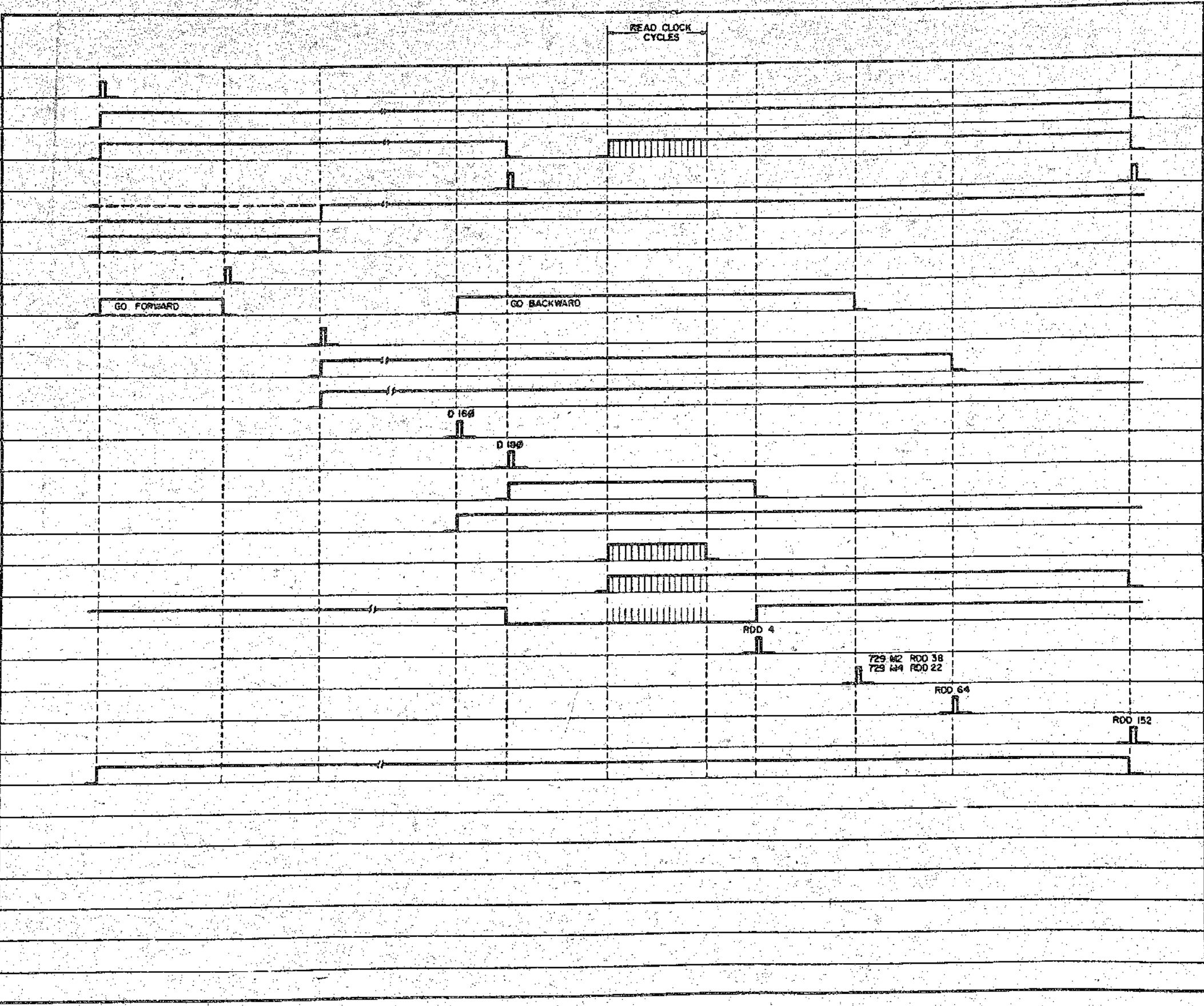
SIGNAL NAME	TEST POINT	LOGIC
+Y FIRST CHAR L		B9 40 60 1
-Y HI CLIP PULSE		B9 40 60 1
-Y FIRST BIT		B9 40 60 1
+Y A REG 1 BIT		B9 40 20 1
+Y B REG 1 BIT		B9 40 20 1
-Y RC 3		B9 10 30 1
-Y RC 4		B9 10 30 1
-Y WR RC-5 OR READ RC-7		B9 10 31 1
+Y WR RC-10 OR READ RC-7, RESET		B9 10 31 1
SAMPLE A & B REG		
+Y LRCR 1 BIT		B9 50 40 1
-Y RDD		B9 30 10 1
+Y USEC CTRL		B9 20 10 1
-Y DC RESET		B9 30 31 1
+Y RDD 36		B9 30 50 1
+Y CHECK CHAR L		B9 40 61 1
+Y R-W REG 1 BIT		B9 40 50 1
+Y RC 6		B9 10 30 1
SAMPLE R-W REG VRC		B9 50 20 1

DATE	CHANGE NO	DATE	CHANGE NO
9-7-61	111 226	17-10-61	TA 37927B
INTERNATIONAL BUSINESS MACHINES CORP.		729 7310 READ OPERATION	
DESIGN	TYPE	SCALE	DATE
CHECK	DRAWN	BY	BY
APPROV	CHECK	BY	BY

723769  
FIG 196-2

37927B 723769

SIGNAL NAME	TEST POINT	LOGIC
-Y BKSP CALL		89 60 40.1
+Y BACKSPACE		89 60 40.1
-Y MSEC CTRL		89 30 20.1
+Y DC RESET		89 30 31.1
-Y SEL + RDY + READ		89 60 10.1
-Y SEL + RDY + WRITE		89 60 10.1
-Y D 50		89 50 52.1
-Y GO		89 60 11.1
-Y D 96		89 30 53.1
+Y BACKWARD		89 60 40.1
+P SET READ STATUS 729		89 60 20.1
-Y D 160 OR D 2048		89 30 54.1
+Y D 180 OR D 64		89 30 54.1
+Y READ COND		89 60 20.1
+Y GATE ON FINAL AMPS		89 30 52.1
-Y FIRST BIT		89 40 60.1
-Y RDD		89 30 10.1
+Y WR RC-10 OR READ RC-7 RESET		89 10 31.1
+Y RDD 4 OR RDD 57		89 30 50.1
-Y END BKWD STOP DELAY		89 30 51.1
+Y RDD 64 OR RDD 57		89 30 52.1
+Y RDD 152 OR RDD 2106		89 30 53.1
+Y BUSY		89 60 02.1



DATE	CHANGE NO	DATE	CHANGE NO	APPROV	TYPE
4-7-61	1121108	17-10-61	T.A. 37927B		DESIGN
					DETAIL
					CHECK
					SCALE
					VE
					7-18-61

INTERIM BUSINESS MACHINES CORP  
 FIG 197  
 729 BACKSPACE OP

723710  
 FIG 197

723710





1401 INTERMEDIATE LEVEL DIAGRAMS  
TAU 9 INDEX

FIGURE	NAME	PART NUMBER
180	REFERENCE SHEET	723750
181	WRITE CONTROLS 1	723751
182	WRITE CONTROLS 2	723752
183	READ CONTROLS 1	723753
184	READ CONTROLS 2	723754
185	BACK SPACE, ERASE, REWIND AND REWIND UNLOAD	723755
186	WR CLOCK AND DLY COUNTER OSC GATING	723756
187	DELAY COUNTER	723757
188	READ DISC DELAY FORWARD STOP DLY AND CHECK CHARACTER	723758
189	GO AND TP DRV INPUT OUTPUT LINES	723759
190	FINAL AMPLIFIERS A REG B REG, R/W REG, LRCA REG	723760
191	ERROR CIRCUITS 1	723761
192	ERROR CIRCUITS 2	723762
195	729 WRITE OPERATION	723763
195-1	7330 WRITE OPERATION	723764
195-2	WRITE CLOCK CYCLES 729, 7330 WRITE OPERATION	723765
195-3	READ CLOCK CYCLES 729, 7330 WRITE OPERATIONS	723766
196	729 READ OPERATION	723767
196-1	7330 READ OPERATION	723768
196-2	READ CLOCK CYCLES 729, 7330 READ OPERATIONS	723769
197	729 BACKSPACE OP	723770
197-1	7330 BACKSPACE OP	723771

DATE	CHANGE NO.	DATE	CHANGE NO.	INTERNATIONAL BUSINESS MACHINES CORP			
9-7-61	112216B	17.10.61	TA 37927 B	NAME TAU 9 INDEX			
7-5-65	124688	18.OCT 65	TA 32501 F				
				DESIGN		TYPE	
				DETAIL		SCALE	
				CHECK		DRAW VE	B-2-61
				APPRO		CHECK	

123112