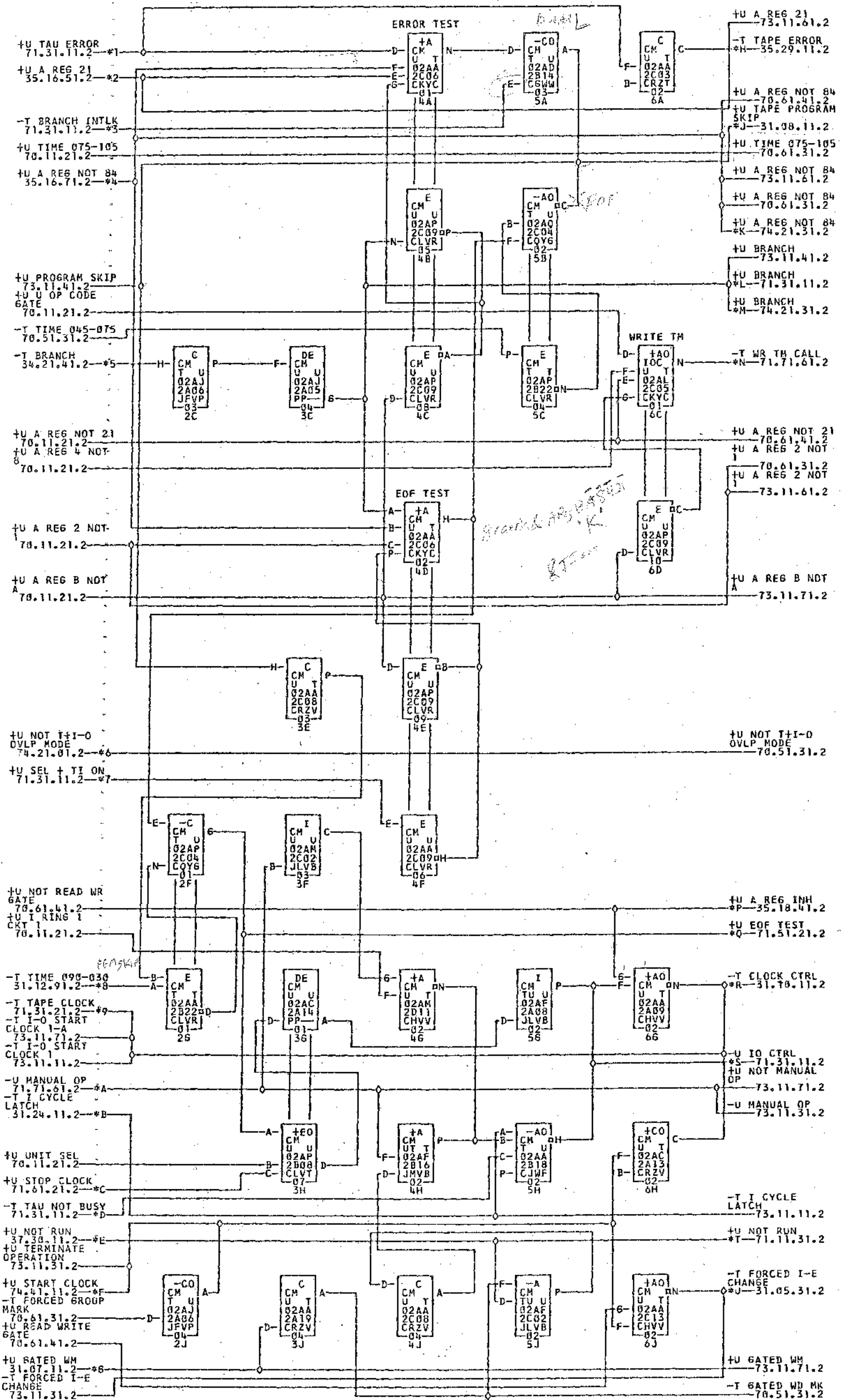


- \*1-02A2B24E
- \*2-02A2A24N
- \*3-02A2B26C
- \*4-02A2B23C
- \*5-02A2C25C
- \*6-02A2C24F
- \*7-02A2C24L
- \*8-02A2B24K
- \*9-02A2A24B
- \*A-02A2C24J
- \*B-02A2C24J
- \*C-02A2C24J
- \*D-02A2C24J
- \*E-02A2C24J
- \*F-02A2C24J
- \*G-02A2C24J
- \*H-02A2C24J
- \*I-02A2C24J
- \*J-02A2C24J
- \*K-02A2C24J
- \*L-02A2C24J
- \*M-02A2C24J
- \*N-02A2C24J
- \*O-02A2C24J
- \*P-02A2C24J
- \*Q-02A2C24J
- \*R-02A2C24J
- \*S-02A2C24J
- \*T-02A2C24J
- \*U-02A2A240
- \*V-02A2A240
- \*W-02A2A240
- \*X-02A2A240
- \*Y-02A2A240
- \*Z-02A2C24B
- \*1-02A2C24B
- \*2-02A2C24B
- \*3-02A2A23C
- \*4-02A2C24B
- \*5-02A2C24B
- \*6-02A2C24B
- \*7-02A2C24B
- \*8-02A2C24B
- \*9-02A2C24B
- \*A-02A2C24B
- \*B-02A2C24B
- \*C-02A2C24B
- \*D-02A2C24B
- \*E-02A2C24B
- \*F-02A2C24B
- \*G-02A2C24B
- \*H-02A2C24B
- \*I-02A2C24B
- \*J-02A2C24B
- \*K-02A2C24B
- \*L-02A2C24B
- \*M-02A2C24B
- \*N-02A2C24B
- \*O-02A2C24B
- \*P-02A2C24B
- \*Q-02A2C24B
- \*R-02A2C24B
- \*S-02A2C24B
- \*T-02A2C24B
- \*U-02A2C24B
- \*V-02A2C24B
- \*W-02A2C24B
- \*X-02A2C24B
- \*Y-02A2C24B
- \*Z-02A2C24B

COMMENTS

TAG	DATE	E.C. NO.	TAG	DATE	E.C. NO.	TAG	DATE	E.C. NO.	TAG	DATE	E.C. NO.
J	69-12-01	1153029V	B	69-12-01	1153029V	F	69-12-01	1153029V	D	69-12-01	1153029V
J	69-12-01	1153029V	B	69-12-01	1153029V	F	69-12-01	1153029V	D	69-12-01	1153029V
J	69-12-01	1153029V	B	69-12-01	1153029V	F	69-12-01	1153029V	D	69-12-01	1153029V





- \*1-02A2A25K      \*2-02A2C24K      \*3-02A2A25Q      \*4-02A2C246      \*5-02A2C23M      \*6-02A2B25F
- \*7-02A2A25N      \*8-02A2B24D      \*9-02A2C26L      \*A-02A2A25M      \*B-02A2A245      \*C-02A2A25R
- \*D-02A2A25P      \*E-02A2B24K      \*F-02A2B26D      \*G-02A2A24E      \*H-02A2C23P      \*I-02A0F15B
- \*J-02A2A24P      \*K-02A0E01F      \*L-02A2C01P      \*M-02A2B25P      \*N-02A2C25H      \*O-02A1C25H
- \*L-02A2C26R      \*M-02A2B25M      \*N-02A1A03N      \*O-02A2C26N      \*P-02A1C26N      \*R-02A2B24A
- \*P-02A2A26M      \*Q-02A2B23M      \*R-02A2C26H      \*S-02A2C26P      \*T-02A1C26P      \*U-02A1C26P
- \*U-02A2A24D      \*V-02A0D01F      \*W-02A0D01D      \*X-02A1D18H

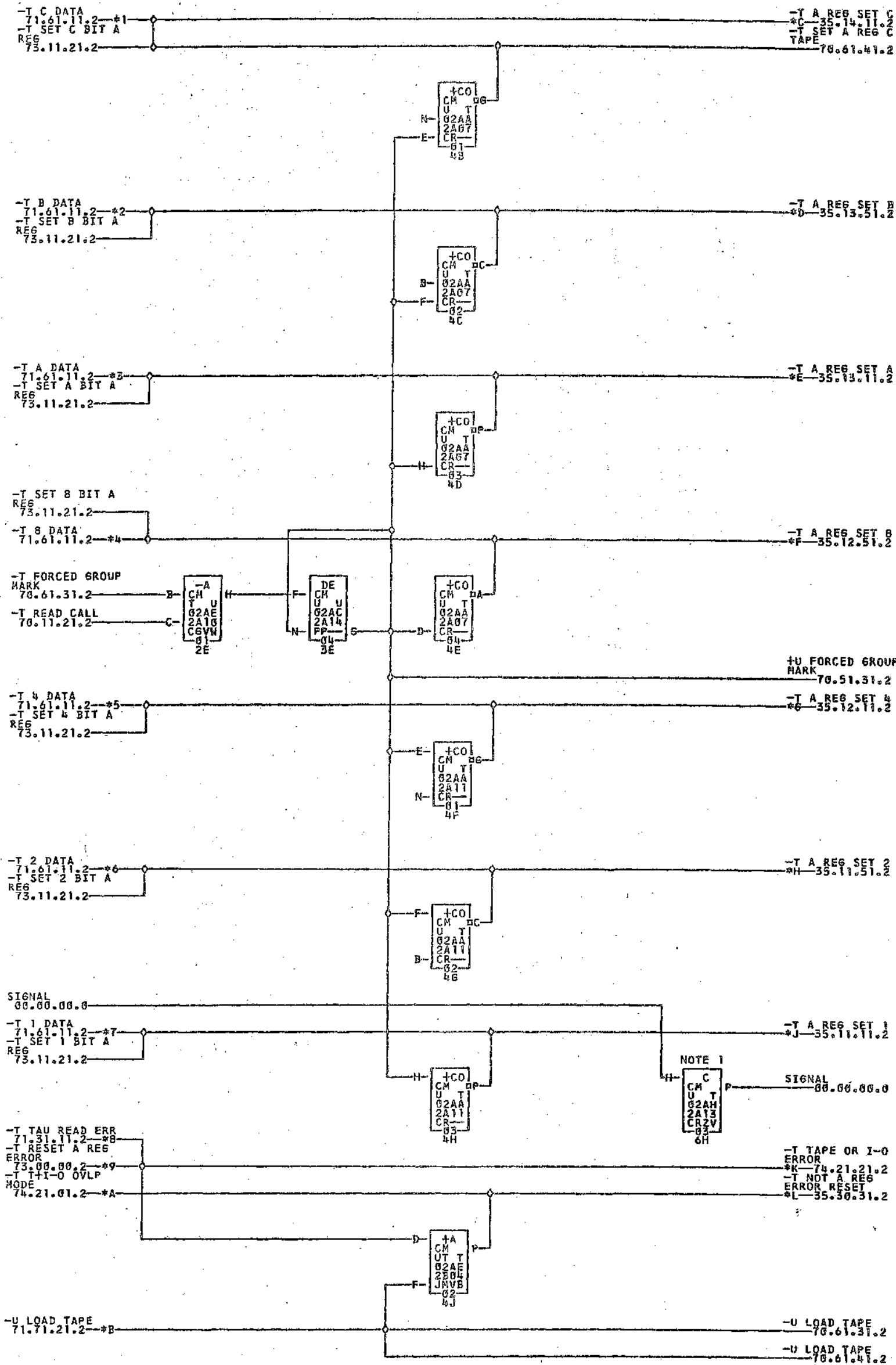
COMMENTS

TAG	DATE	E.C.NO.	TAG	DATE	E.C.NO.	TAG	DATE	E.C.NO.	TAG	DATE	E.C.NO.
A	06-12-61	118329V	K	07-10-61	118324K	S	08-11-61	118324N	D	09-11-61	118324U
E	11-09-61	118281	L	12-06-61	118422	G	12-19-61	118535	H	04-04-62	118278
J	04-13-62	118280	P	05-06-62	118302	L	07-17-62	118225	M	08-21-62	118239
N	11-08-62	118353	P	12-10-62	118749B	Q	09-16-63	118575B			





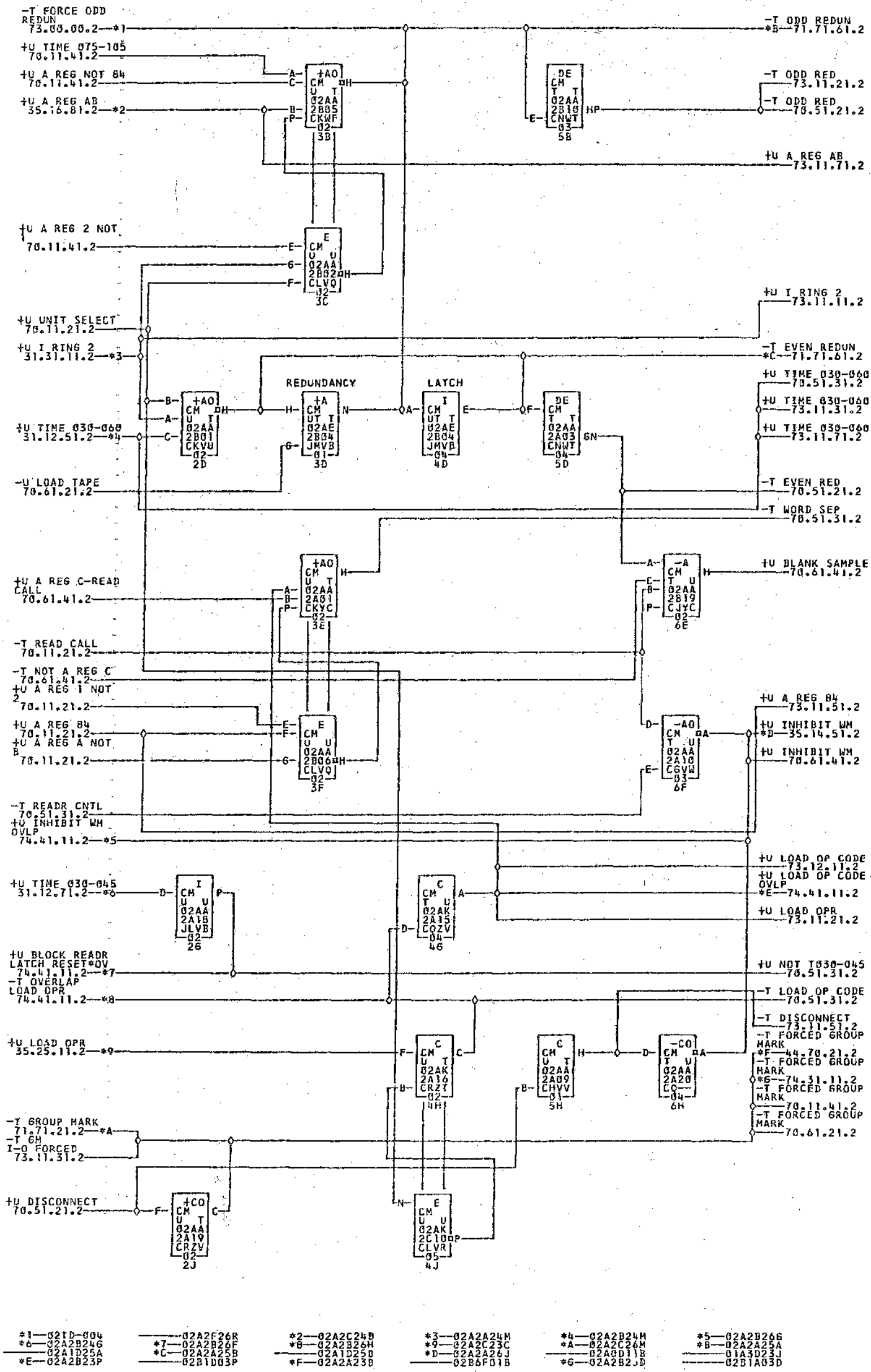




- \*1-02A2C25K
- \*2-02A2C25L
- \*3-02A2C25M
- \*4-02A2C25N
- \*5-02A2C25P
- \*6-02A2C25Q
- \*7-02A2C25R
- \*8-02A2A25L
- \*9-02TD-008
- \*A-02A2B25H
- \*B-02A2C25Z
- \*C-02A2A266
- 02A8D07C
- 01A3F238
- 02A2A26F
- 02A8D05C
- 01A3F23D
- \*E-02A2A26E
- 02A8D03C
- 01A3F23E
- \*F-02A2A26D
- 02A8D01C
- 01A3F23D
- \*G-02A2A26C
- 02A8C19C
- 01A3F23C
- \*H-02A2A26B
- 02A8C17C
- 01A3F23B
- \*J-02A2A26A
- 02A8C15C
- 01A3F23A
- \*K-02A2B25L
- 02B1A03L
- 01B6E01Q
- \*L-02A2A26F
- 02A8D05F
- 01B2E03Q
- 01B2C01F

COMMENTS  
 NOTE1-THIS CKT USED FOR TIEDOWN WITH TAPES MISSING, AND I-O ON THE MACHINE.

TAG	DATE	E.C.NO.	TAG	DATE	E.C.NO.	TAG	DATE	E.C.NO.	TAG	DATE	E.C.NO.
A	06-12-61	110320V	B	07-10-61	110324K	C	08-11-61	110324N	D	09-05-61	112232
E	12-06-61	113422	F	05-11-62	115294	G	07-17-62	116225	H	12-10-62	116769B



COMMENTS

TAG	DATE	E.C.NO.	TAG	DATE	E.C.NO.	TAG	DATE	E.C.NO.	TAG	DATE	E.C.NO.
A	06-12-61	110320V	B	07-10-61	110324K	C	08-11-61	110324N	D	11-09-61	112251
E	12-06-61	113422	F	04-04-62	115278	G	05-11-62	115294	H	07-17-62	116225
J	08-07-62	116230	K	12-10-62	116749B	L	09-16-63	118575B			









NAME		SHEET 9 OF
------	--	------------

REFERENCE Drawing	Fig.	Ch. Col.	8.6 ALTER LOGIC 71.11.11.2, GATE 02A1, AS FOLLOWS:
----------------------	------	-------------	--

SIGNALS PRECEDED BY ASTERISK INDICATE DIRECT CABLE EXPANSION

\*-02A1B04G--01B6D04B

————— ADDED

————— EXISTING

SING. CHANGE	DATE	9-16-63	9-26-63	10-8-63						DATE TYPED
	NO.	118320	118320F	118320G						

NAME		SHEET 8 OF
------	--	------------

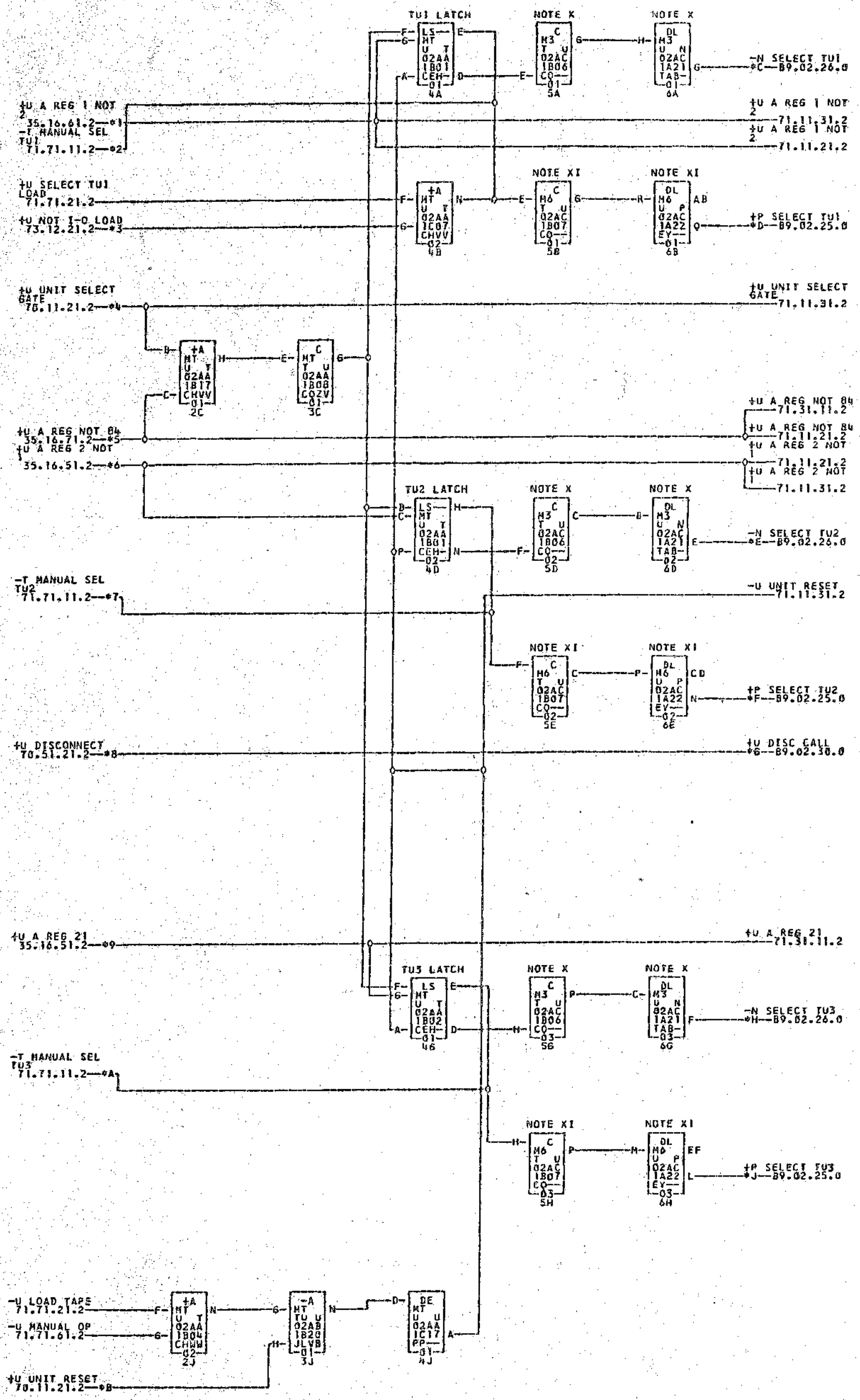
REFERENCE Drawing	Fig.	Ch. Col.	8.5 ALTER LOGIC 71.11.11.2, GATE 02A1, AS FOLLOWS:
----------------------	------	-------------	--

SIGNALS PRECEDED BY AN ASTERISK INDICATES DIRECT CABLE EXPANSION

————— ADDED

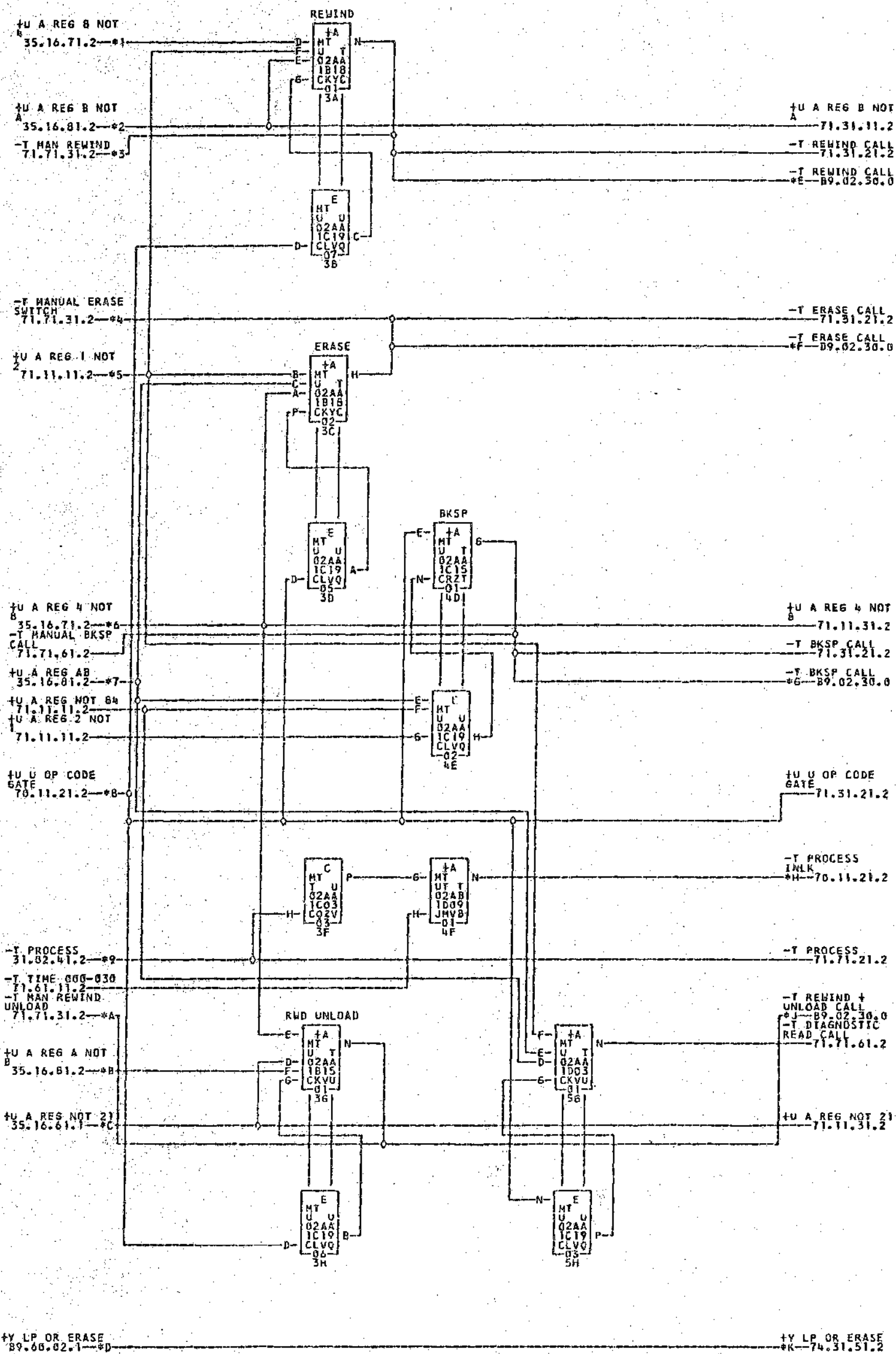
————— EXISTING

SING. CHANGE	DATE	9-16-63	9-26-63	10-8-63						DATE TYPED
	NO.	118320	118320F	118320G						



- \*1--02A1D26C
- \*2--02A1D2NA
- \*3--02A1D18B
- \*4--02A1C26F
- \*5--02A1D26D
- \*6--02A1D26E
- \*7--02A1D24B
- \*8--02A1C26C
- \*9--02A1D24F
- \*A--02A1D24C
- \*B--02A1C26E
- \*C--02A1C24A
- \*D--02A1B24A
- \*E--02A1C24B
- \*F--02A1B24B
- \*G--02TC-086
- \*H--02A1C24C
- \*I--02TC-088
- \*J--02A1B24C

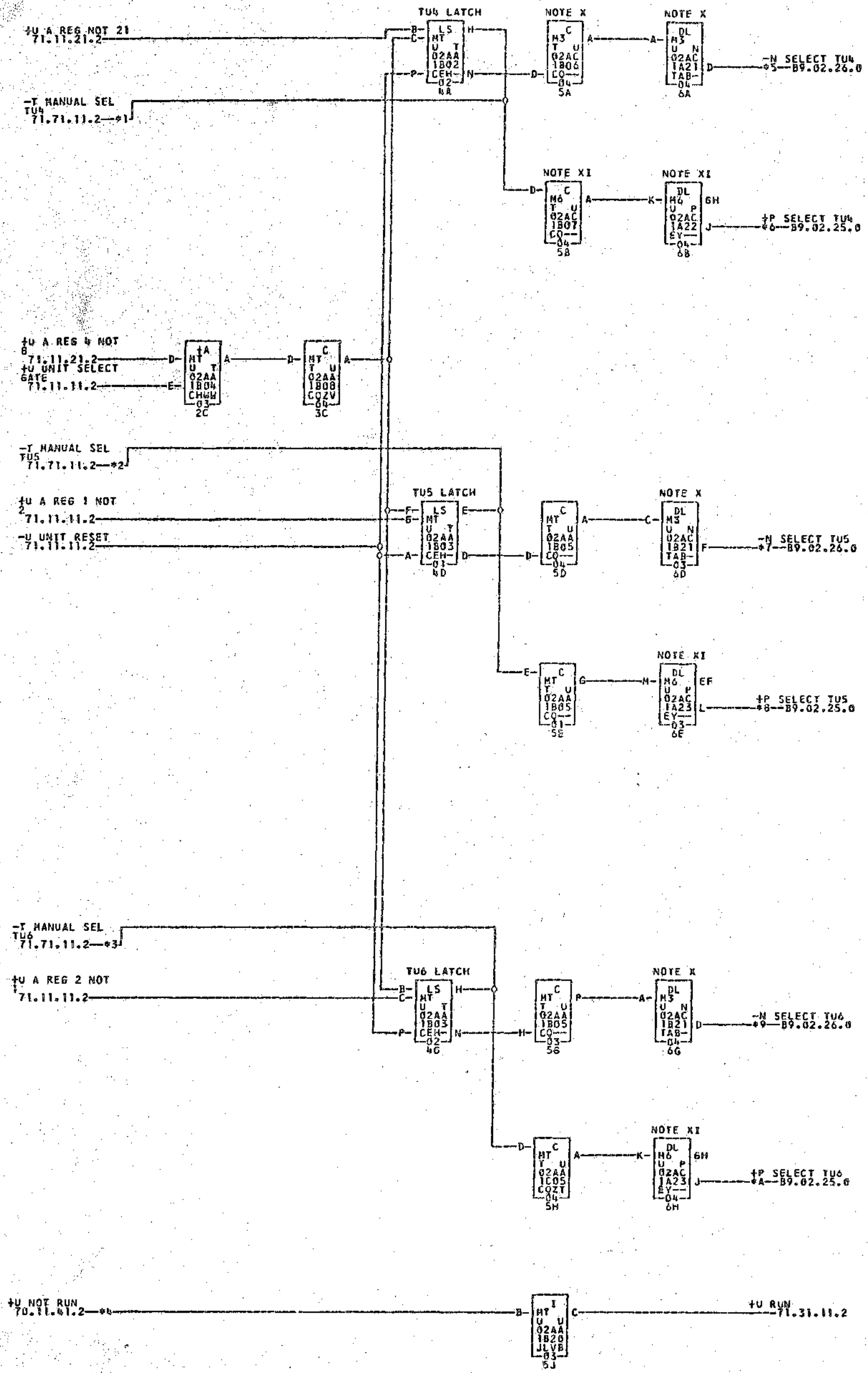




- \*1--02A1D26L
- \*2--02A1D26N
- \*3--02A1D23A
- \*4--02A1D226
- \*5--02A1D26C
- \*6--02A1D26M
- \*7--02A1D26P
- \*8--02A1C24D
- \*9--02A1D20D
- \*A--02A1D23L
- \*B--02A1D260
- \*C--02A1D266
- \*D--02A1B25N
- \*E--02A1B25B
- \*F--02A1B26F
- \*G--02A1B25A
- \*H--02A1C266
- \*I--02A2C266
- \*J--02A1B25C
- \*K--02A1D17R
- \*L--02D1E03R

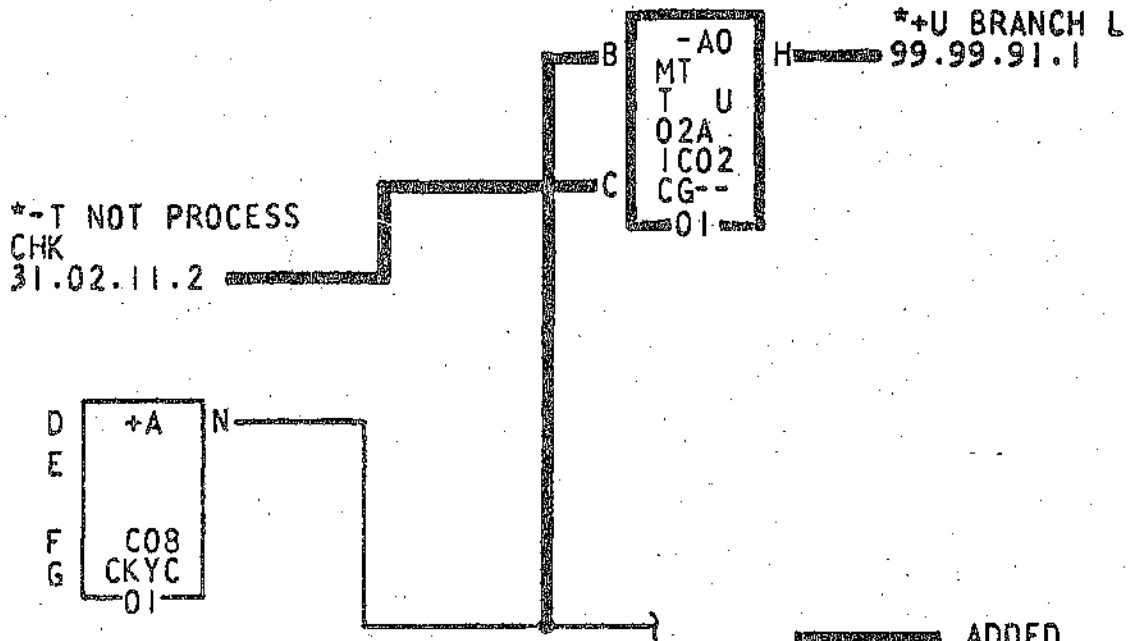
COMMENTS.

TAG	DATE	E.C.NO.	TAG	DATE	E.C.NO.	TAG	DATE	E.C.NO.
A	06-12-61	113422	B	12-06-61	113422	C	03-12-62	114613



- \*1—02A1D24D      \*2—02A1D24E      \*3—02A1D24F      \*4—02A1C26P      \*5—02A1C24D      ———02TC-097
- \*6—02A1B24D      ———02TC-097      \*7—02A1C24E      ———02TC-099      \*8—02A1B24E      ———02TC-099
- \*9—02A1C24F      ———02TC-106      \*A—02A1B24F      ———02TC-106

8.7 ALTER LOGIC 71.31.11.2, GATE 02A1, AS FOLLOWS:



SIGNALS PRECEDED BY ASTERISK INDICATE DIRECT CABLE EXPANSION

DATE	DATE	DATE	DATE	DATE	DATE	DATE	DATE	DATE	DATE	DATE	DATE	DATE	DATE	DATE	DATE	DATE	DATE	DATE	DATE	
9-16-63	9-26-63	10-8-63																		
118320	118320F	118320G																		

NOTE X  
00.00.00.0-41

+U WD 52  
89.02.35.0-42  
+U WD 80  
89.02.35.0-43  
+U WD 320  
OR WD-1088  
89.02.35.0-44  
+U CONTINUOUS  
RESTART  
71.71.61.2  
-12 VOLTS A  
NOTE XI  
71.71.51.2-45  
-T TAPE DISC  
74.21.11.2-46  
+U WRITE COND  
89.02.35.0-47

+U MANUAL DISC  
SWITCH  
71.71.31.2-48  
+U SEL + TI ON  
89.02.35.0-49

+U NOT I-O  
SELECT  
73.11.11.2-4A

+U READ CALL  
71.61.11.2-4B

-U ERROR  
89.02.35.0-4D

+U MANUAL OP  
71.71.21.2-4E

+U BUSY  
89.02.35.0-4C

-T TIME 065-060  
31.12.31.2-4D

-T TIME 060-075  
31.12.31.2-4E

+U FUD STOP  
DELAY  
89.02.35.0-4F

-U IO CTRL  
70.11.41.2-4G

-T NOT PROCESS  
CHK STOP  
31.02.11.2-4H

+U A REG NOT B4  
71.11.21.2-4I

+U A REG 21  
71.11.11.2-4J

-U TU READY  
89.02.35.0-4K

+U BRANCH  
70.11.41.2-4L

+U RUN  
71.11.31.2-4M

-U MANUAL OP  
71.71.61.2-4N

+U I-I-O OVER-  
EXTENSION  
74.21.11.2-4O

+U MAN WR DISC  
89.02.30.0-4P

+U MAN WR DISC  
89.02.30.0-4Q

+U SEL + TI ON  
71.71.61.2-4R

+U SEL + TI ON  
71.71.41.2-4S

-T TAU READ ERR  
70.61.21.2-4T

+U TAU ERROR  
70.11.41.2-4U

-T TAU NOT BUSY  
70.11.41.2-4V

-T TAU NOT BUSY  
74.21.31.2-4W

-T TAU BUSY  
71.31.21.2-4X

-T TAU BUSY  
71.71.41.2-4Y

+U TAU BUSY  
71.31.21.2-4Z

+U TAU BUSY  
71.71.61.2-4AA

+U TAU BUSY  
71.71.41.2-4AB

-T TIME 069-075  
71.71.21.2-4AC

+U DELTA P ON  
71.71.21.2-4AD

-T TAPE STOP ID  
73.12.21.2-4AE

-T BRANCH INTLK  
70.11.41.2-4AF

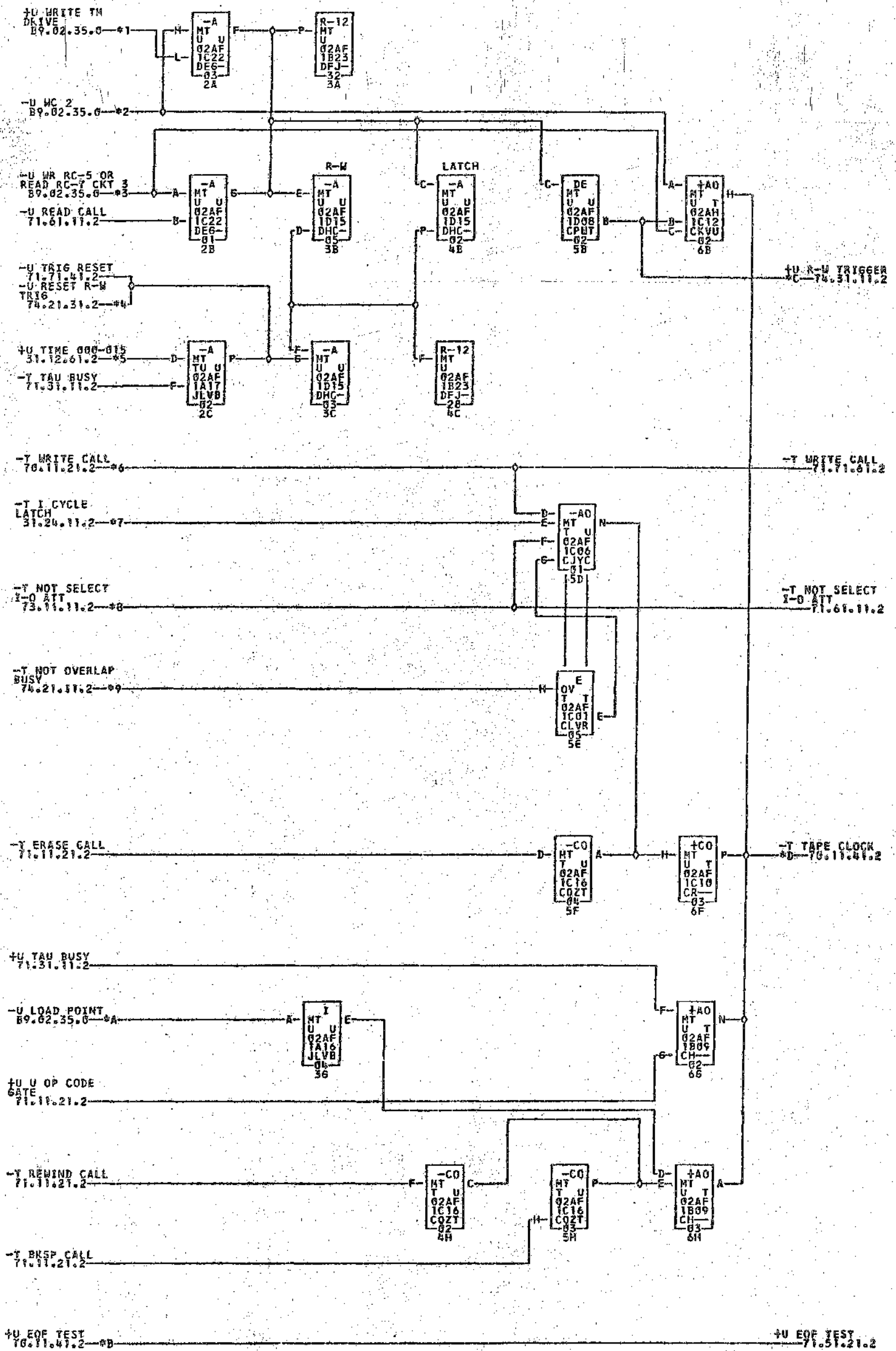
+U TURN OFF  
DELTA PROC  
89.02.31.2-4AG

-T SET TAPE  
ERROR  
89.02.30.0-4AH

*1-02A1A26J	*2-02A1A26B	*3-02A1A26C	*4-02A1A26D	*5-02A1A26A	*6-02A1D17N
*7-02A1D26K	*8-02A1D22H	*9-02A1B25Q	*A-02A1D18C	*B-02A1B25H	*C-02A1B25D
*D-02A1D26H	*E-02A1D20P	*F-02A1A26K	*G-02A1D18H	*H-02A1D20C	*J-02A1B25P
*K-02A1C26R	*L-02A1D17P	*M-02A1B26D	*N-02A1A26L	*O-02B3C2L	*P-02B3C2L
*Q-02A1D25N	*R-02A1D25L	*S-02A1D25P	*T-02A1D25K	*U-02A1D17D	*V-02B1E03D
*W-02A1D18G	*X-02A2D266	*Y-02A1D25Q	*Z-02A2A25Q	*AA-02A1D2UB	*AB-02A1A25M
*02B4B04H	*02B4C02L	*02B2D03L			

NOTE X-THIS TAP COMMENTS  
ONE CHARACTER RECORD  
NOTE XI-THIS TAP WRITES CONTINUOUS

TAG DATE E.C.NO. TAG DATE E.C.NO. TAG DATE E.C.NO. TAG DATE E.C.NO.  
A 06-12-61 110320Z B 06-10-61 110324N C 09-11-61 110320U D 10-11-61 112235  
E 12-06-61 113422 F 11-05-62 116726

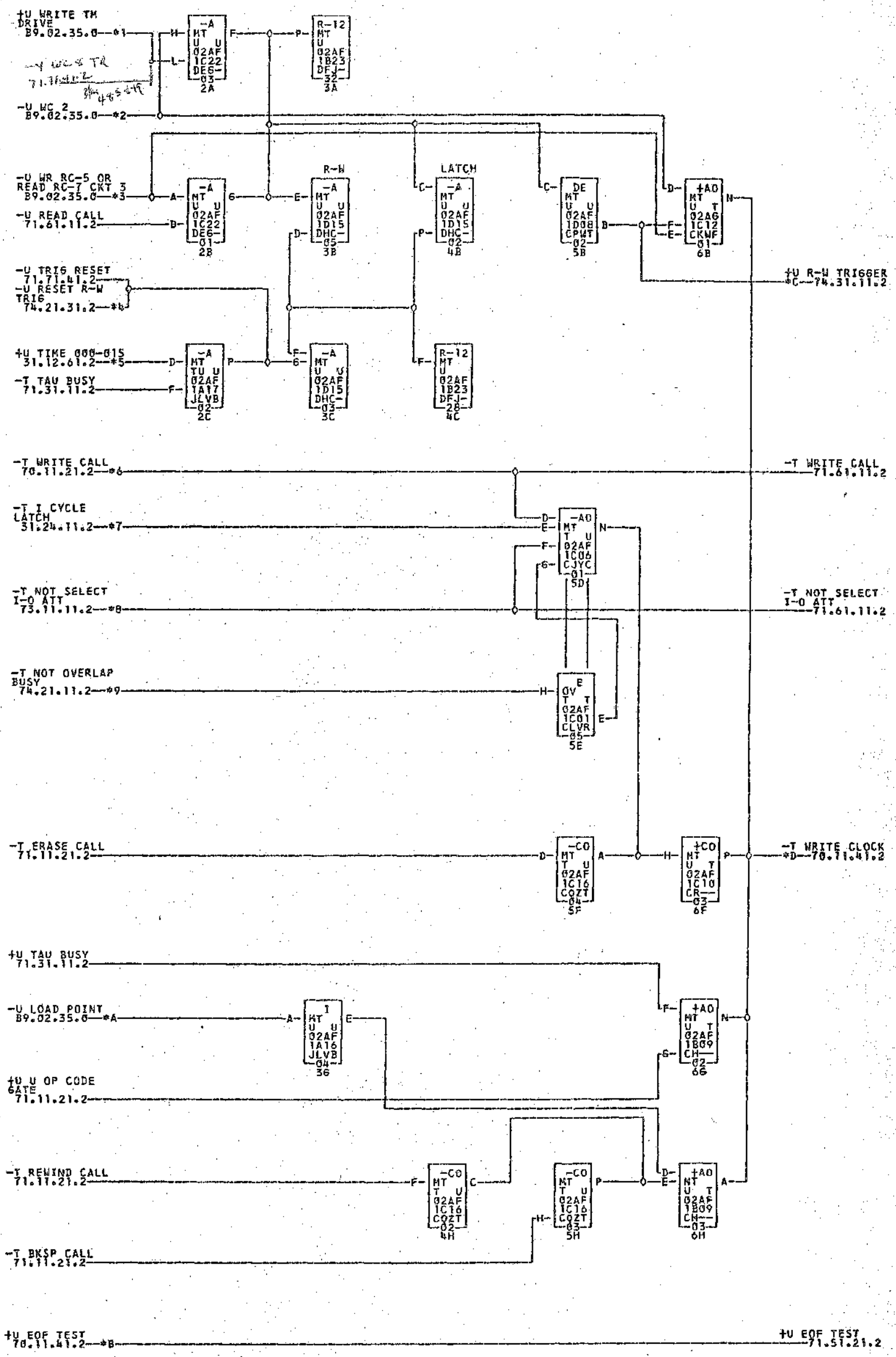


- #1-02A1B25F    #2-02A1A26P    #3-02A1A26E    #4-02A1D176    #5-02A1D26A    #6-02A1C26B
- #7-02A1D26B    #8-02A1D18A    #9-02A1D17C    #A-02A1B25E    #B-02A1C26A    #C-02A1D17K
- #D-02A1C26L

COMMENTS

TAG	DATE	E.C.NO.	TAG	DATE	E.C.NO.	TAG	DATE	E.C.NO.	TAG	DATE	E.C.NO.
A	06-12-61	110320Z	B	08-10-61	110324N	C	11-18-61	112916	D	12-06-61	113422
E	01-23-62	113835	F	04-13-62	115280	G	05-02-62	115298	H	11-05-62	116726





- \*1--02A1B25F      \*2--02A1A26P      \*3--02A1A26E      \*4--02A1D176      \*5--02A1D26A      \*6--02A1C26B
- \*7--02A1D25B      \*8--02A1D18A      \*9--02A1D17L      \*A--02A1B25E      \*B--02A1C26N      \*C--02A1D17K
- ~~02B1D03K~~      \*D--02A1C26L

0724380

WRITE GATING INPUT TO TAU

1401 MT

71.51.21.2

+U DATA C  
70.51.21.2--\*1

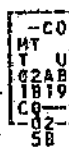
-T MANUAL C BIT  
71.71.31.2--\*2



+U C BIT WRITE  
DATA LINE  
\*6--89.02.30.6

+U DATA A  
70.51.21.2--\*3

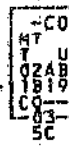
-T MANUAL A BIT  
71.71.31.2--\*4



+U A BIT WRITE  
DATA LINE  
\*8--89.02.30.6

+U DATA B  
70.51.21.2--\*5

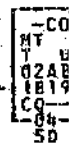
-T MANUAL B BIT  
71.71.31.2--\*6



+U B BIT WRITE  
DATA LINE  
\*J--89.02.30.6

+U DATA 8  
70.51.21.2--\*7

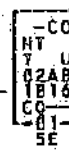
-T MANUAL 8 BIT  
71.71.31.2--\*8



+U 8 BIT WRITE  
DATA LINE  
\*K--89.02.30.6

+U DATA 4  
70.51.21.2--\*9

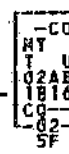
-T MANUAL 4 BIT  
71.71.31.2--\*A



+U 4 BIT WRITE  
DATA LINE  
\*L--89.02.30.6

+U DATA 2  
70.51.21.2--\*B

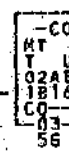
-T MANUAL 2 BIT  
71.71.31.2--\*C



+U 2 BIT WRITE  
DATA LINE  
\*N--89.02.30.6

+U DATA 1  
70.51.21.2--\*D

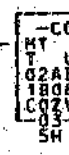
-T MANUAL 1 BIT  
71.71.31.2--\*E



+U 1 BIT WRITE  
DATA LINE  
\*N--89.02.30.6

-T TURN OFF T1  
71.71.21.2

+U EOP TEST  
70.71.41.2



+U TURN OFF T1  
\*P--89.02.30.6

\*1--02A1D25J  
\*7--02A1D26F  
\*D--02A1D35C  
\*K--02A1A24D

\*2--02A1D23H  
\*8--02A1D33G  
\*E--02A1D33R  
\*L--02A1A24C

\*3--02A1D25E  
\*9--02A1D25E  
\*F--02A1C22N  
\*H--02A1A24B

\*4--02A1D23F  
\*A--02A1D23H  
\*6--02A1A24G  
\*N--02A1A24A

\*5--02A1D25H  
\*B--02A1D25H  
\*G--02A1A24E  
\*P--02A1B25K

\*6--02A1D33E  
\*C--02A1D33J  
\*J--02A1A24F

COMMENTS

TAG DATE E.C.NO. TAG DATE E.C.NO. TAG DATE E.C.NO. TAG DATE E.C.NO.  
A 04-12-61 110320Z B 12-06-61 113422 C 04-13-62 115200

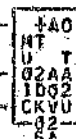
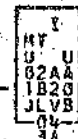
0720301

READ GATING

1461 MT

71.61.11.2

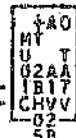
+U ODD RED CALL  
71.71.61.2  
+U R-W REG C  
BIT 89.02.35.6 → 01



-Y G DATA  
08B-70.61.21.2

-U ODD RED CALL  
71.71.61.2

+U R-W REG B  
BIT 89.02.35.6 → 02



-Y B DATA  
08C-70.61.21.2

+U R-W REG A  
BIT 89.02.35.6 → 03



-Y A DATA  
08D-70.61.21.2

+U R-W REG 8  
BIT 89.02.35.6 → 04



-Y 8 DATA  
08E-70.61.21.2

+U R-W REG 4  
BIT 89.02.35.6 → 05



-Y 4 DATA  
08F-70.61.21.2

+U R-W REG 2  
BIT 89.02.35.6 → 06



-Y 2 DATA  
08G-70.61.21.2

+U R-W REG 1  
BIT 89.02.35.6 → 07



-Y 1 DATA  
08H-70.61.21.2

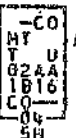
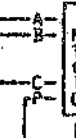
+U MANUAL READ  
71.71.61.2

-Y TIME 000-030  
31.12.12.2 → 08

-Y READ CALL LATCH  
70.11.21.2 → 09

-Y NOT SELECT  
71.31.21.2 → 10

-Y ATT  
71.31.21.2

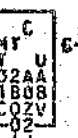
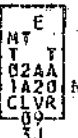


-U READ CALL  
71.31.21.2

-U READ CALL  
89.02.30.0

-U READ CALL  
71.61.21.2

-Y READ IN CYCLE  
74.21.31.2 → 0A



+U READ CALL  
71.31.71.2

+U READ CALL  
71.71.21.2

\*1-02A1A25G  
\*7-02A1A22A  
\*C-02A1C25J  
\*F-02A1C25P  
\*J-02A1B26G

\*2-02A1A25F  
\*8-02A1D26R  
\*B-02A2C25I  
\*D-02A2C25E

\*3-02A1A25E  
\*9-02A1C25G  
\*D-02A1C25M  
\*6-02A1C25Q

\*4-02A1A25D  
\*A-02A1D17F  
\*E-02A2C25H  
\*G-02A2C25Q

\*5-02A1A25C  
\*B-02A1C25R  
\*E-02A1C25N  
\*N-02A1C25R

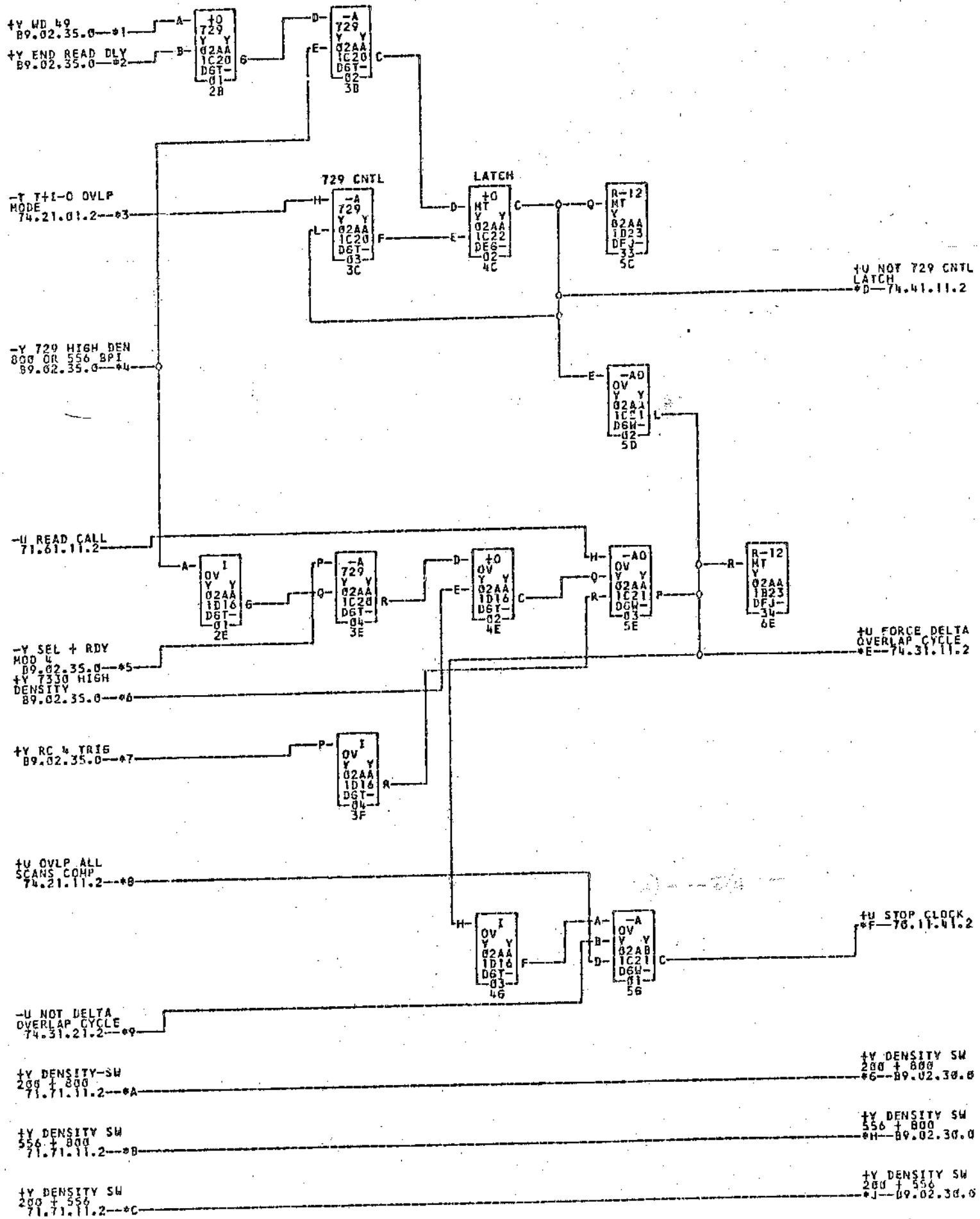
\*6-02A1A25B  
\*O-02A2C25R  
\*I-02A2C25N  
\*K-02A2C25R

COMMENTS

TAG DATE E.C.NO. TAG DATE E.C.NO. TAG DATE E.C.NO. TAG DATE E.C.NO.

A 06-12-61 110320Z

B 12-04-61 113622



\*1--02A1A24R  
 \*7--02A1C23K  
 \*D--02A1D17H  
 \*G--02A1C23L

\*2--02A1A26D  
 \*8--02A1D17C  
 \*E--02B1E03H  
 \*H--02A1C23H

\*3--02A1D17C  
 \*C--02A1D17E  
 \*F--02A1D17J  
 \*J--02A1C23N

\*4--02A1A26H  
 \*A--02A1D20H  
 \*B--02B1E03J

\*5--02A1C23G  
 \*D--02A1D20J  
 \*F--02A1D25R

\*6--02A1C23H  
 \*C--02A1D20R  
 \*E--02A2A25R

COMMENTS

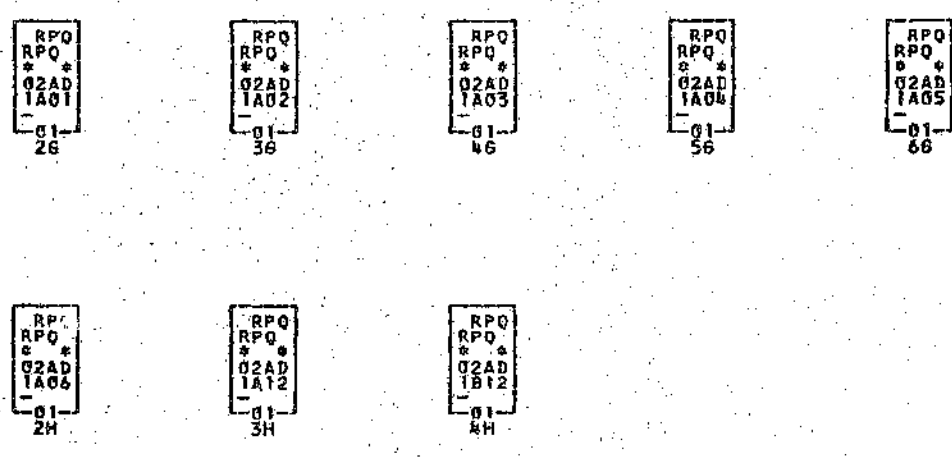
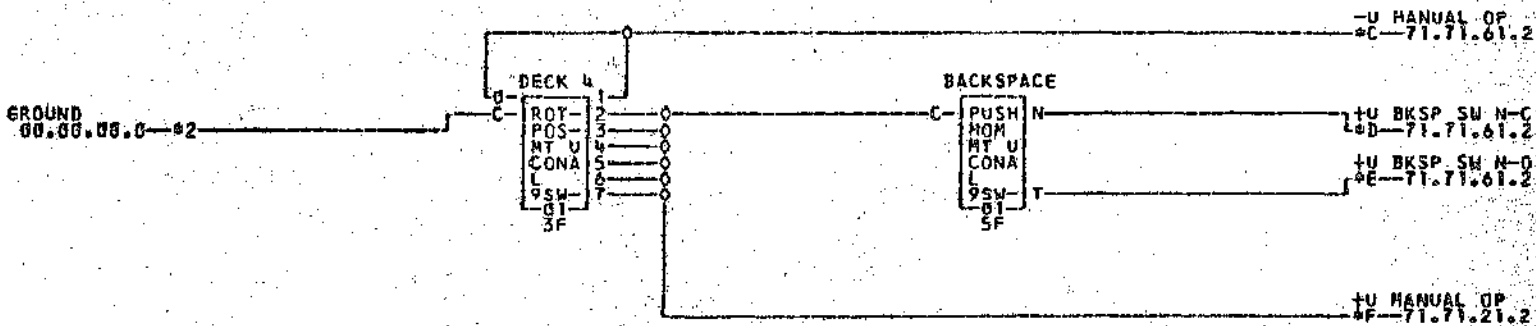
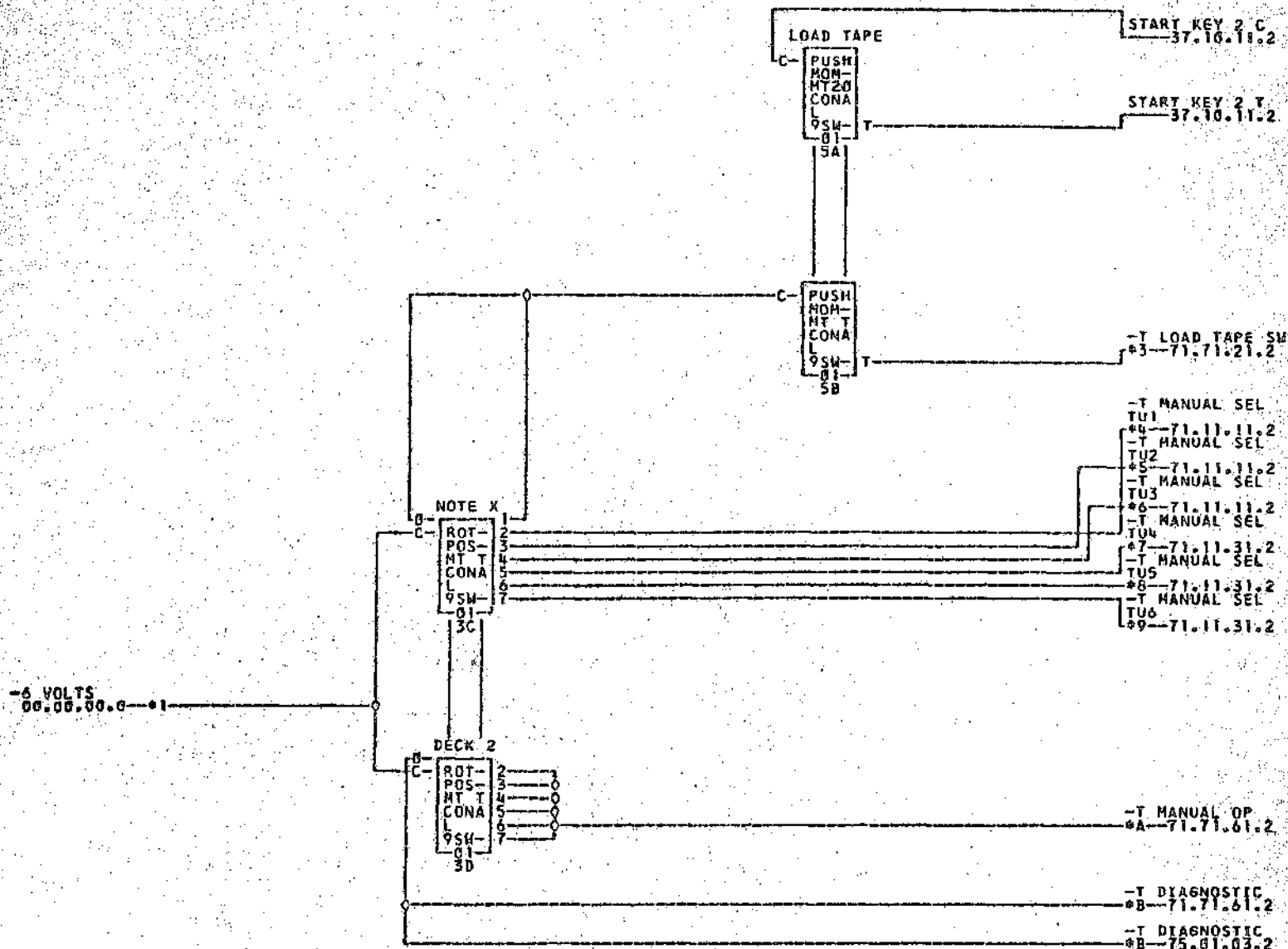
TAG DATE E.C.NO. TAG DATE E.C.NO. TAG DATE E.C.NO. TAG DATE E.C.NO.  
 A 06-12-61 1103202 B 12-19-61 113535

8724303

MANUAL OPERATION-OPERATORS CONSOLE

1401 HT

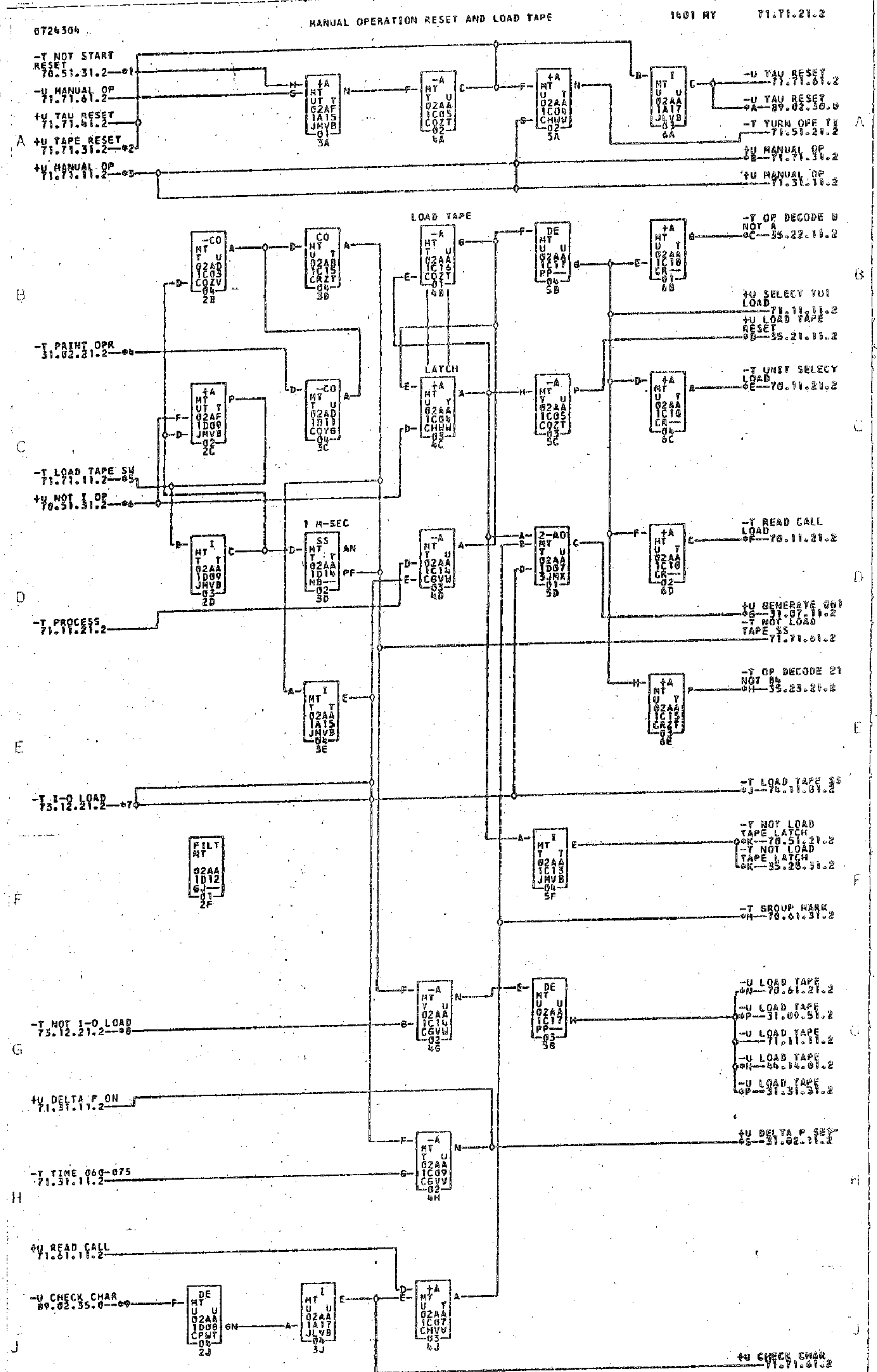
71.71.11.2



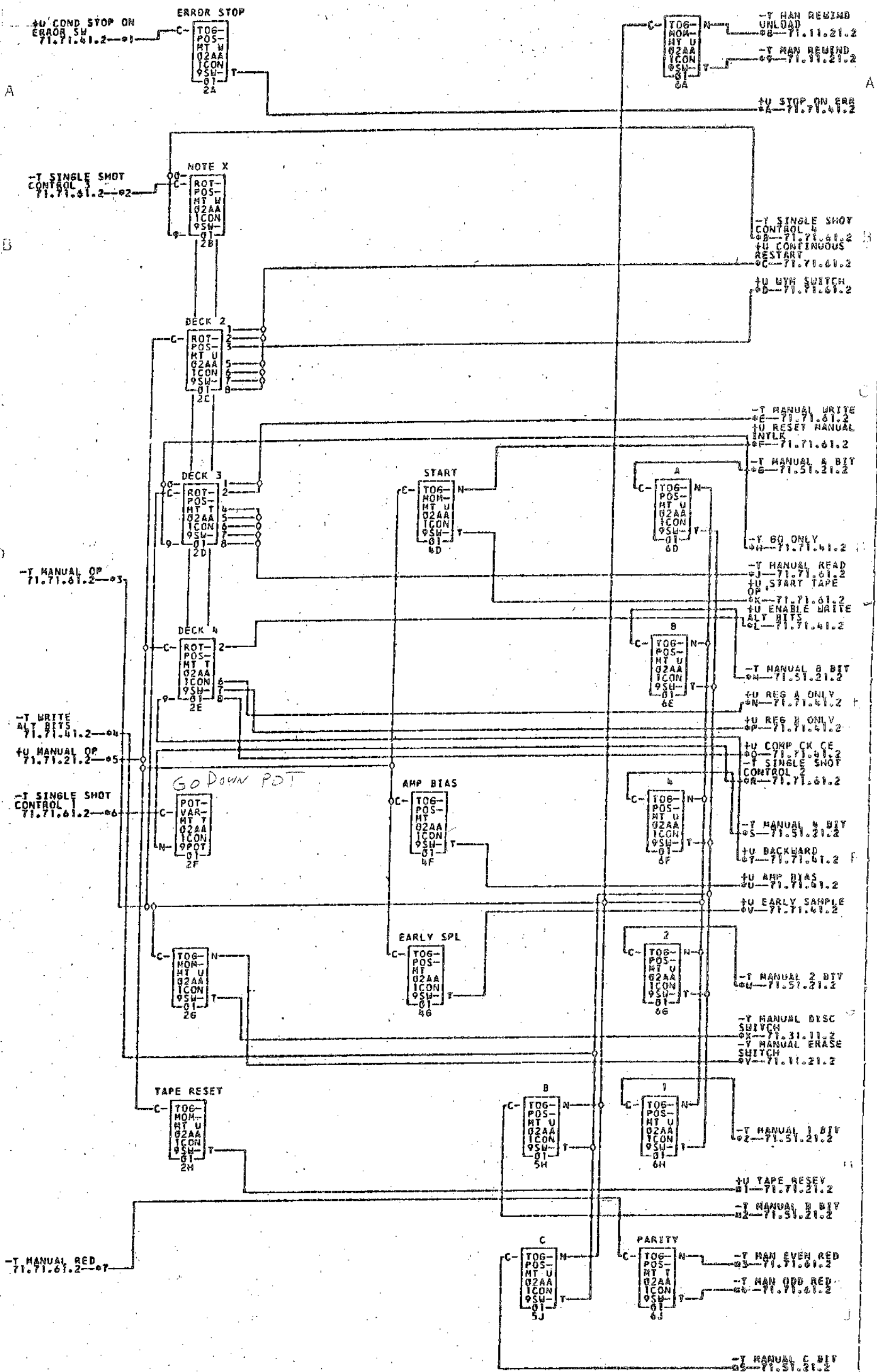
- |             |             |             |          |             |          |
|-------------|-------------|-------------|----------|-------------|----------|
| *1-CON-A24E | *2-CON-A24H | *3-CON-A16G | 02A0D07A | *4-CON-A16A | 02A0C15A |
| *5-CON-A16B | 02A0C17A    | *6-CON-A16C | 02A0C19A | *7-CON-A16D | 02A0D01A |
| *8-CON-A16E | 02A0D03A    | *9-CON-A16F | 02A0D05A | *A-CON-A16H | 02A0D09A |
| *E-CON-A16L | 02A0D15A    | *F-CON-A16H | 02A0D19A | *D-CON-A16K | 02A0D13A |



1135



- \*1-02A1C24H
- \*2-02A1D22R
- \*3-02A1D24M
- \*4-02A1D20E
- \*5-02A1D236
- \*6-02A1C24K
- \*7-02A1D18D
- \*8-02A1D256
- \*9-02A1B256
- \*A-02A1A20F
- \*B-02A1D24A
- \*C-02A1C24K
- \*D-02A1C23D
- \*E-02A1C23C
- \*F-02A1C23E
- \*G-02A1C23F
- \*H-02A1C23G
- \*I-02A1C23H
- \*J-02A1C23I
- \*K-02A1C23J
- \*L-02A1C23K
- \*M-02A1C23L
- \*N-02A1C23M
- \*O-02A1C23N
- \*P-02A1C23P
- \*Q-02A1C23Q
- \*R-02A1C23R
- \*S-02A1D26N
- \*T-02A1D26M
- \*U-02A1D26L
- \*V-02A1D26K
- \*W-02A1D26J
- \*X-02A1D26I
- \*Y-02A1D26H
- \*Z-02A1D26G



- \*1-02A1D21D
- \*2-02A1D21G
- \*3-02A1D22C
- \*4-02A1D22E
- \*5-02A1D22A
- \*6-02A1D22B
- \*7-02A1D22E
- \*8-02A1D23L
- \*9-02A1D23A
- \*A-02A1D23F
- \*B-02A1D23G
- \*C-02A1D23H
- \*D-02A1D22K
- \*E-02A1D22M
- \*F-02A1D22P
- \*G-02A1D22Q
- \*H-02A1D22R
- \*I-02A1D22S
- \*J-02A1D22T
- \*K-02A1D22U
- \*L-02A1D22V
- \*M-02A1D22W
- \*N-02A1D22X
- \*O-02A1D22Y
- \*P-02A1D22Z
- \*Q-02A1D23A
- \*R-02A1D23B
- \*S-02A1D23C
- \*T-02A1D23D
- \*U-02A1D23E
- \*V-02A1D23F
- \*W-02A1D23G
- \*X-02A1D23H
- \*Y-02A1D23I
- \*Z-02A1D23J
- \*1-02A1D23K
- \*2-02A1D23L
- \*3-02A1D23M
- \*4-02A1D23N
- \*5-02A1D23O
- \*6-02A1D23P
- \*7-02A1D23Q
- \*8-02A1D23R
- \*9-02A1D23S
- \*A-02A1D23T
- \*B-02A1D23U
- \*C-02A1D23V
- \*D-02A1D23W
- \*E-02A1D23X
- \*F-02A1D23Y
- \*G-02A1D23Z
- \*H-02A1D24A
- \*I-02A1D24B
- \*J-02A1D24C
- \*K-02A1D24D
- \*L-02A1D24E
- \*M-02A1D24F
- \*N-02A1D24G
- \*O-02A1D24H
- \*P-02A1D24I
- \*Q-02A1D24J
- \*R-02A1D24K
- \*S-02A1D24L
- \*T-02A1D24M
- \*U-02A1D24N
- \*V-02A1D24O
- \*W-02A1D24P
- \*X-02A1D24Q
- \*Y-02A1D24R
- \*Z-02A1D24S



0724307

VOLTAGE DISTRIBUTION

1601 H7

71.71.51.2

-12 VOLTS  
00.00.00.1

U LEVEL SEY RES  
COMMON  
04--00.00.00.1

+6 VOLTS  
00.00.00.1

Y LEVEL SEY RES  
COMMON  
05--00.00.00.1

GROUND A  
00.00.00.1

GROUND A  
0C--00.00.00.1

GROUND C  
00.00.00.1

GROUND C  
0D--00.00.00.1

-12 VOLTS C  
00.00.00.1

-12 VOLTS C  
0E--00.00.00.1

+12 M VOLTS  
00.00.00.1

+12M VOLTS  
0F--00.00.00.1

GROUND B  
00.00.00.1

GROUND B  
0G--00.00.00.1

-12 VOLTS B  
00.00.00.1

-12 VOLTS B  
0H--00.00.00.1

-12 VOLTS A  
00.00.00.1

-12 VOLTS A  
0J--71.37.11.2

A

A

B

B

C

C

D

D

E

E

F

F

G

G

H

H

J

J

\*1--02A1C10M  
\*2--02A1B21J  
\*3--02A1A21J  
\*4--02A1B22J

\*5--02A1C10L  
\*6--02A1B21N  
\*7--02A1C22J  
\*8--02A1B22H

\*9--02A1A21J  
\*0--02A1A21N  
\*1--02A1C22H  
\*2--02A1B22K

\*3--02A1C21J  
\*4--02A1B19A  
\*5--02A1B21N  
\*6--02A1A26A

\*7--02A1C21N  
\*8--02A1B23H  
\*9--02A1B22N

\*0--02A1A21N  
\*1--02A1B19R  
\*2--02A1C22N

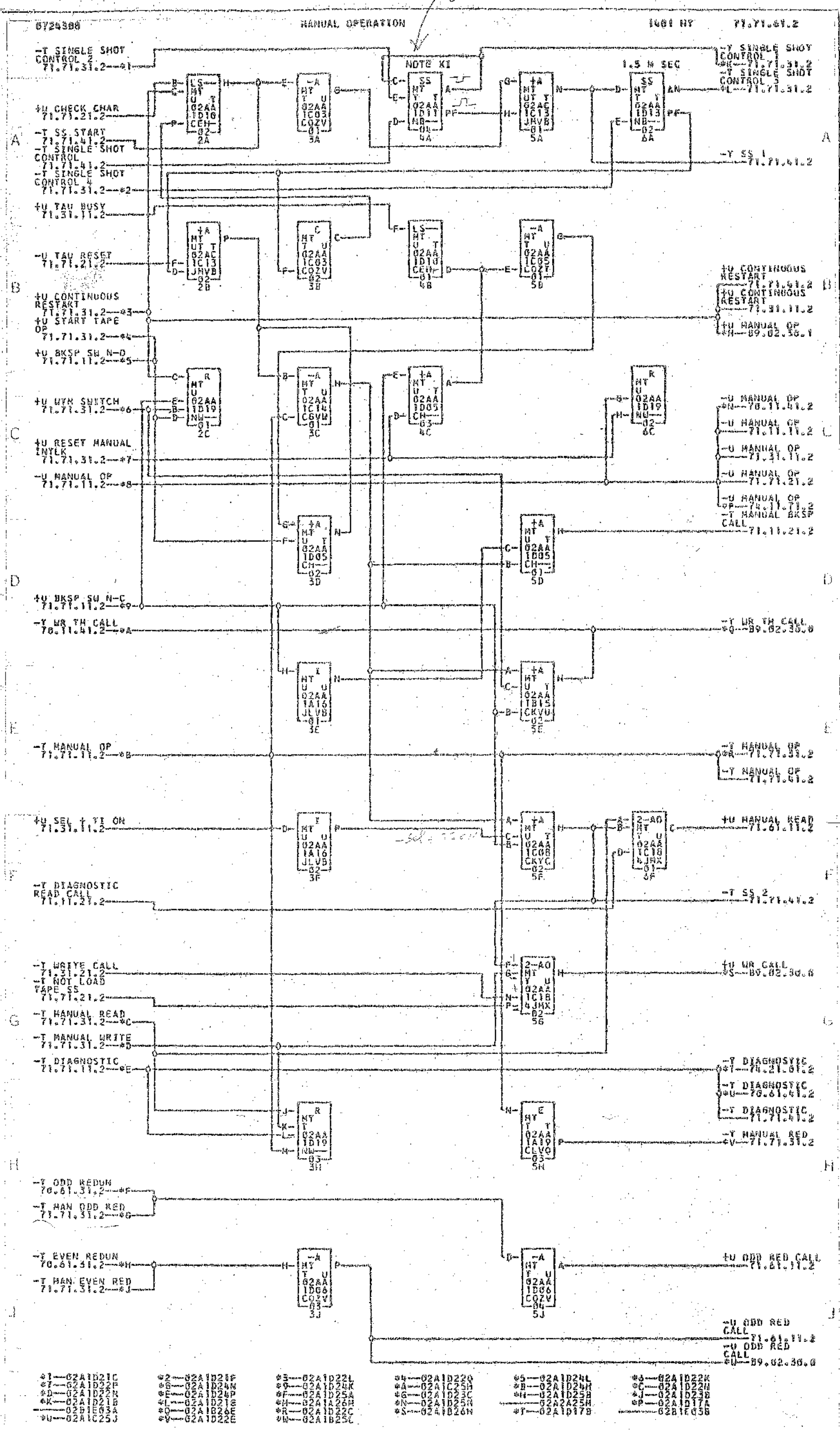
COMMENTS

TAG DATE E.C.NO. TAG DATE E.C.NO. TAG DATE E.C.NO. TAG DATE E.C.NO.

A 06-12-61 1183291

RECEIVED

uses modified NB  
with diode across output



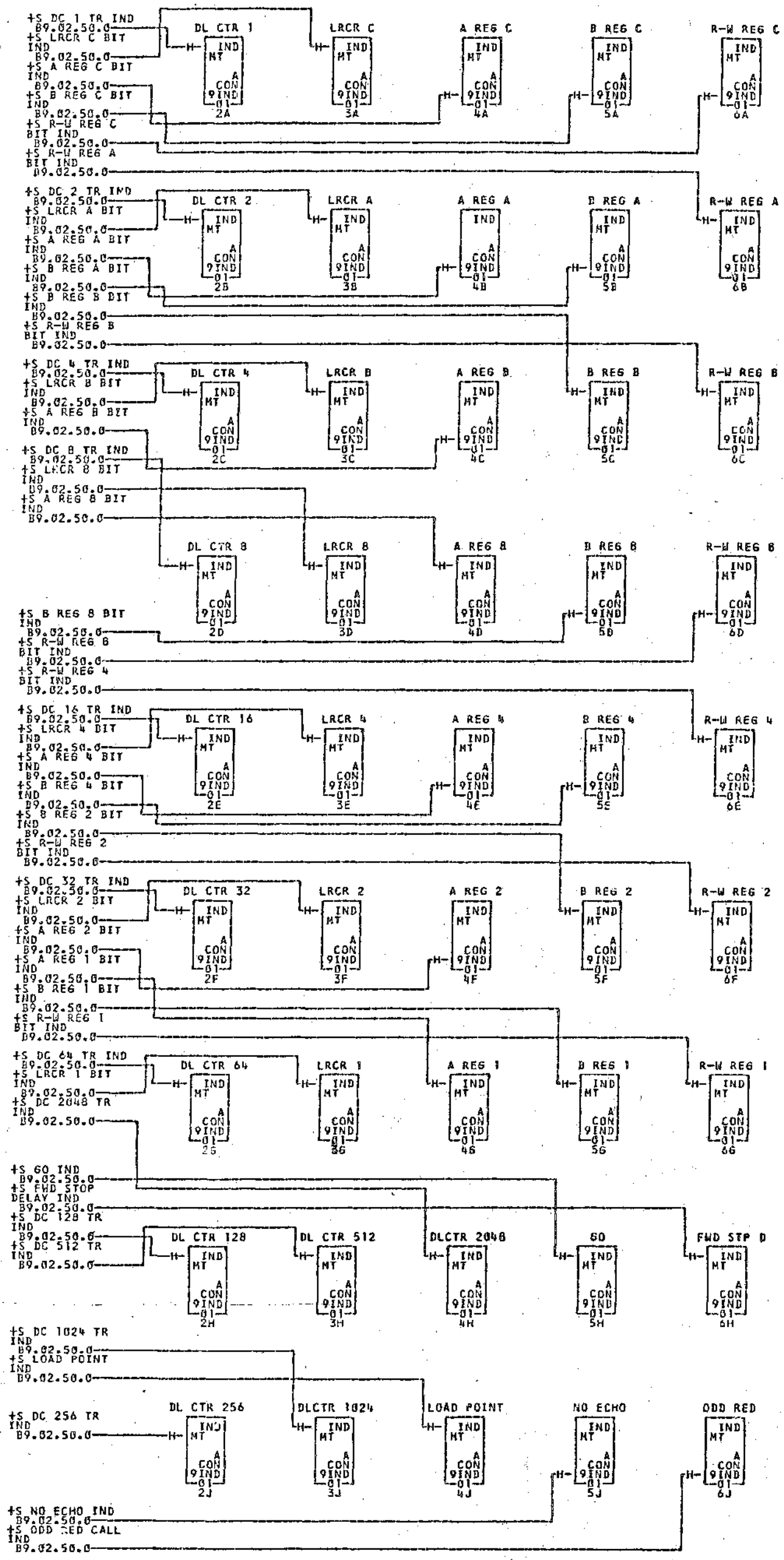
NOTE X-TRIGGER NOT CLAMPED TO -6 VOLTS  
NOTE XI-SS SETTING MAX FOR 1G TO 1G  
MS VARIATION

COMMENTS

TAG DATE E.C.NO. TAG DATE E.C.NO. TAG DATE E.C.NO. TAG DATE E.C.NO.

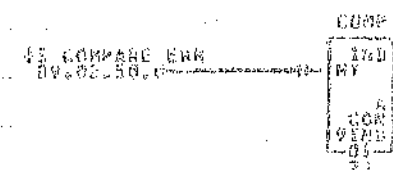
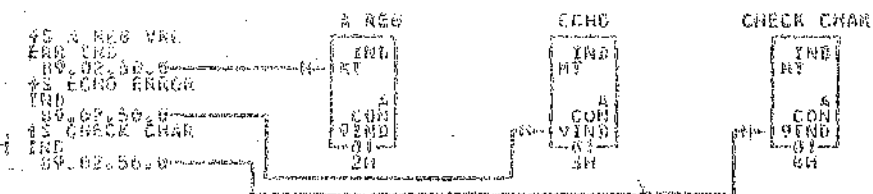
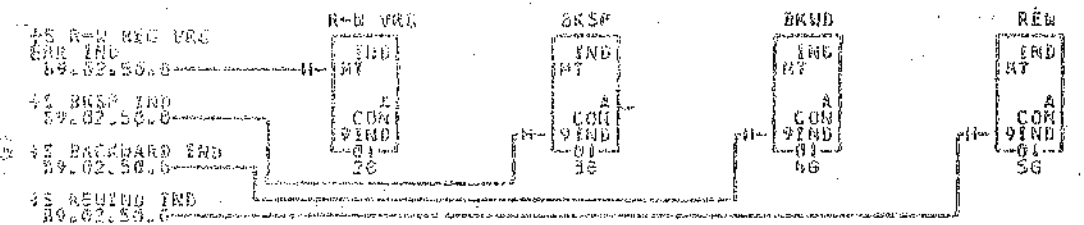
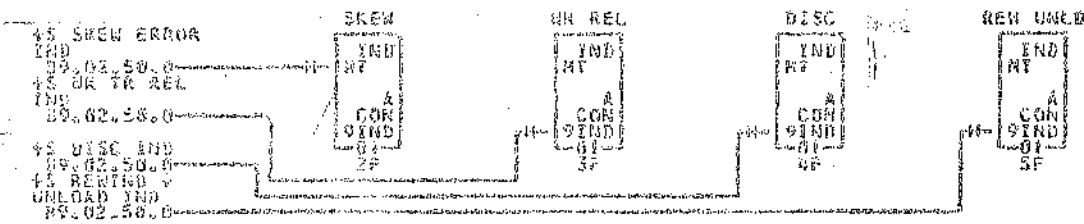
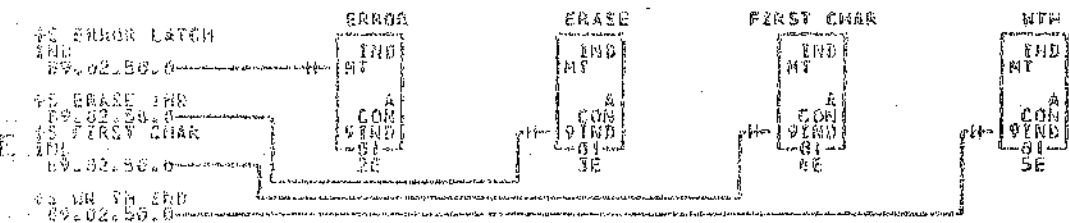
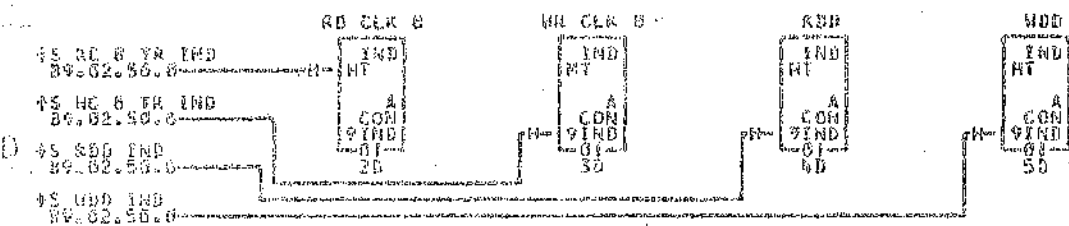
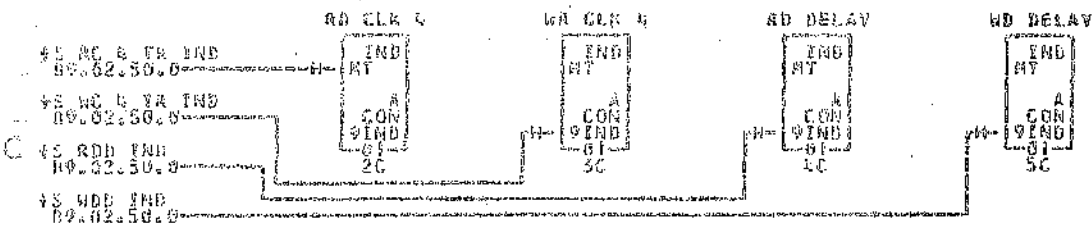
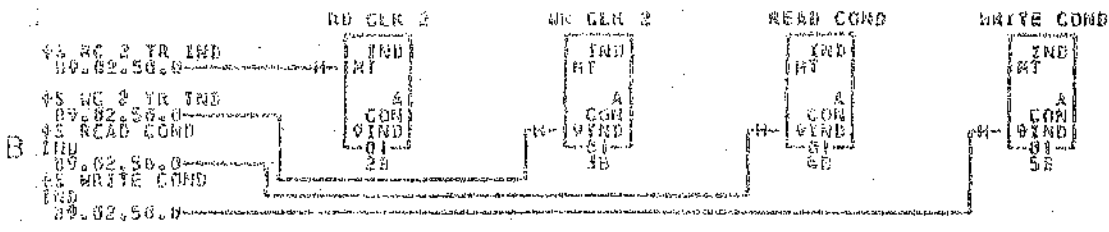
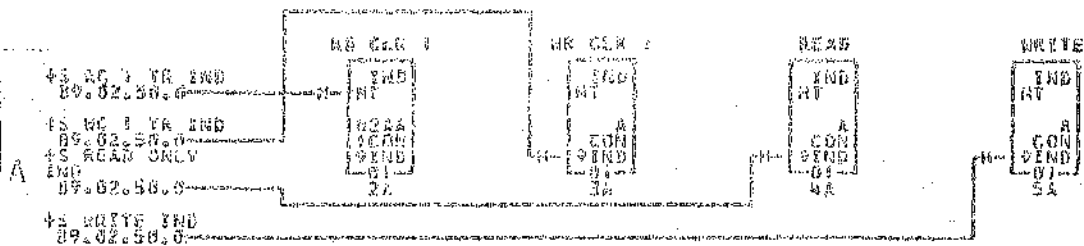
A 66-12-61 1185202 B 68-10-61 118324N C 12-86-61 113422





COMMENTS

TAG	DATE	E.C.NO.	TAG	DATE	E.C.NO.	TAG	DATE	E.C.NO.	TAG	DATE	E.C.NO.
A	06-12-61	1103202	B	12-19-61	113535						



INPUT LINES

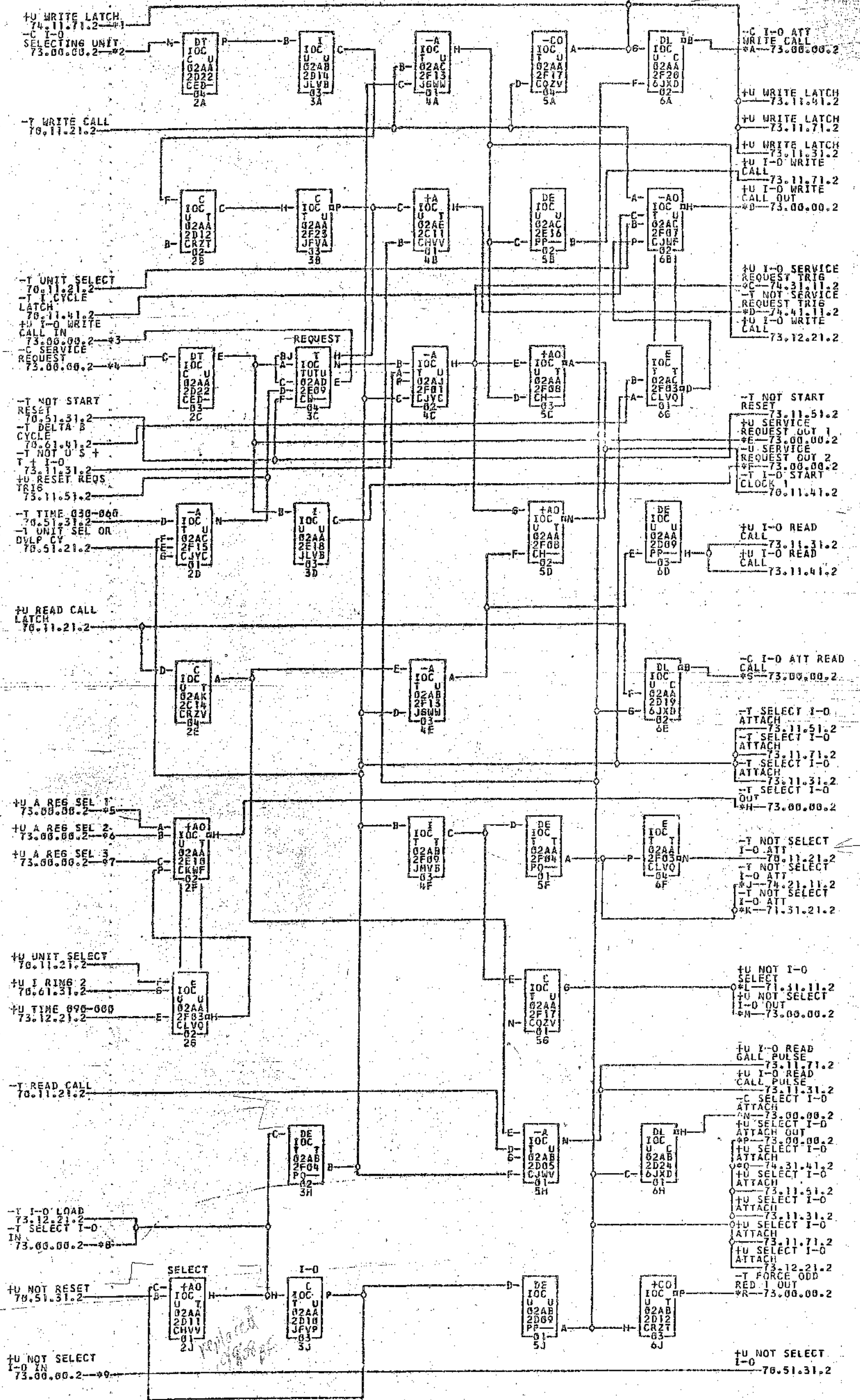
TITLE	LOGIC	PLUG CONN	PLUG CONN	LOGIC	TITLE I-O ATTACHMENT
A	-C SERVICE REQUEST	73.11.11.2	02TD-113/114		
	-C I-O SELECTING UNIT	73.11.11.2	02TD-132/133		
	-C I-O INPUT WM	73.11.21.2	02TD-170/185		
	-C I-O INPUT 1	73.11.21.2	02TD-172/171		
	-C I-O INPUT 2	73.11.21.2	02TD-174/173		
	-C I-O INPUT 4	73.11.21.2	02TD-176/175		
	-C I-O INPUT 8	73.11.21.2	02TD-178/177		
	-C I-O INPUT A	73.11.21.2	02TD-180/179		
	-C I-O INPUT B	73.11.21.2	02TD-182/181		
	-C I-O INPUT C	73.11.21.2	02TD-184/183		
B	-C END OF TRANS	73.11.31.2	02TD-191/092		
	-C SINGLE CHAR TRANS	73.11.31.2	02TD-182/083		
	-C I-O TRF 1	73.11.41.2	02TD-086/087		
	-C I-O TRF 2	73.11.41.2	02TD-088/089		
	-C I-O TRF 3	73.11.41.2	02TD-090/100		
	-C I-O TRF 4	73.11.41.2	02TD-097/096		
	-C I-O TRF 5	73.11.51.2	02TD-099/098		
	-C I-O TRF 6	73.11.51.2	02TD-106/107		
	-C I-O TRF 7	73.11.51.2	02TD-108/109		
	-C I-O TRF 8	73.11.51.2	02TD-117/116		
C	-C I-O LOAD	73.12.21.2	02TD-168/169		
	-C I-O ERROR LIGHT	73.11.51.2	02TD-134/135		
	EMERGENCY OFF SWITCH		02TD-057/058		
	+U NOT SELECT I-O IN	73.11.11.2	02TD-055		
	+U DATA C LOAD OR MOVE IN	73.12.11.2	02TD-049		
	24V AC I-O CONN INTLK	38.11.21.1	02TD-69		
	24V AC I-O CONN INTLK	38.11.21.1	02TD-70	NOTE 1	
	-U DISC LATCH RESET IN	73.11.51.2	02TD-005		
	+U A-REG-SEL-1	73.11.11.2	02TD-001		
	+U A-REG-SEL-2	73.11.11.2	02TD-002		
+U A-REG-SEL-3	73.11.11.2	02TD-003			
-T FORCE-ODD-REDUN	70.61.31.2	02TD-004			
D	+U NOT I-O READ CALL	70.11.21.2	02TD-006		
	+U SELECT I-O ATTACH IN	73.11.31.2	02TD-022		
	-T RESET-A-REG-ERROR	70.61.21.2	02TD-008		
	-T I-O TRANS-ERR	73.11.31.2	02TD-012		
	+U I-O DISC-IN	73.11.51.2	02TD-030		
	+U SELECT-I-IN	73.11.61.2	02TD-029		
	+U SET-WRITE-LATCH-IN	73.11.41.2	02TD-009		
	+U SET-READ-LATCH-IN OR DISC	73.11.41.2	02TD-010		
	+U I-O ERROR-LAT-IN	73.11.41.2	02TD-011		
	+U START-RESET-IN	73.11.31.2	02TD-038		
+U SERVICE-REQUEST-IN-1	73.11.71.2	02TD-043			
-T SELECT-I-O IN	73.11.11.2	02TD-047			
+U I-O WRITE CALL IN	73.11.11.2	02TD-050			
-C I-O READY	73.12.21.2	02TD-053/052			

OUTPUT LINES

TITLE	LOGIC	PLUG CONN	PLUG CONN	LOGIC	TITLE I-O ATTACHMENT
E	-C PROCESS M I-O	73.11.31.2	02TD-093/094		
	-C I-O ATT WRITE CALL	73.11.11.2	02TD-121/122		
	-C I-O ATT READ CALL	73.11.11.2	02TD-123/124		
	-C SELECT I-O ATTACH	73.11.11.2	02TD-115/125		
	-C I-O PROCESS CHECK	73.11.31.2	02TD-095/105		
	-C I-O TIME 000-030	73.11.31.2	02TD-101/102		
	-C I-O TIME 030-060	73.11.31.2	02TD-103/104		
	-C 1401 RESET	73.11.31.2	02TD-084/085		
	-C RESET TRANS ERR LAT	73.11.41.2	02TD-110/120		
	-C I-O UNIT 1 CONTROL	73.11.71.2	02TD-164/165		
F	-C I-O UNIT 2 CONTROL	73.11.71.2	02TD-166/167		
	-C I-O DISC	73.11.51.2	02TD-136/137		
	-C I-O 1 SELECT	73.11.61.2	02TD-142/141		
	-C I-O 2 SELECT	73.11.61.2	02TD-144/143		
	-C I-O 3 SELECT	73.11.61.2	02TD-146/145		
	-C I-O 4 SELECT	73.11.61.2	02TD-148/147		
	-C I-O 5 SELECT	73.11.61.2	02TD-150/149		
	-C I-O 6 SELECT	73.11.61.2	02TD-152/151		
	-C I-O 7 SELECT	73.11.61.2	02TD-154/153		
	-C I-O 8 SELECT	73.11.61.2	02TD-140/155		
G	-C I-O 9 SELECT	73.11.61.2	02TD-138/139		
	-C I-O 10 SELECT	73.11.71.2	02TD-156/157		
	-C I-O 11 SELECT	73.11.71.2	02TD-158/159		
	-C I-O 12 SELECT	73.11.71.2	02TD-160/161		
	-C I-O 13 SELECT	73.11.71.2	02TD-162/163		
	-C I-O 14 SELECT	73.11.71.2	02TD-130/131		
	-C SERVICE RESPONSE	73.11.71.2	02TD-119/118		
	-C TIME 090-000	73.12.21.2	02TD-126/127		
	-C TIME 060-090	73.11.71.2	02TD-128/129		
	-C I-O OUTPUT 1	73.12.11.2	02TD-186/187		
H	-C I-O OUTPUT 2	73.12.11.2	02TD-183/189		
	-C I-O OUTPUT 4	73.12.11.2	02TD-190/191		
	-C I-O OUTPUT 8	73.12.11.2	02TD-192/193		
	-C I-O OUTPUT A	73.12.11.2	02TD-194/195		
	-C I-O OUTPUT B	73.12.11.2	02TD-196/197		
	-C I-O OUTPUT C	73.12.11.2	02TD-198/199		
	-C 1401 IS STOPPED	73.12.21.2	02TD-059/060		
	+U A-REG-NOT-21	35.16.61.2	02TD-016		
	+U A-REG-AB	35.16.81.2	02TD-017		
	+U A-REG-A-NOT-B	35.16.81.2	02TD-018		
+U A-REG-B-NOT-A	35.16.81.2	02TD-031			
+U A-REG-2-NOT-1	35.16.51.2	02TD-032			
+U A-REG-NOT-84	35.16.71.2	02TD-033			
+U A-REG-4-NOT-8	35.16.71.2	02TD-034			
+U A-REG-1-NOT-2	35.16.61.2	02TD-035			
J	-T FORCE-ODD-RED-1-OUT	73.11.11.2	02TD-019		
	-U DISC LATCH RESET OUT	73.11.51.2	02TD-020		
	+U NOT I-O READ CALL-1	73.11.31.2	02TD-021		
	+U SELECT I-O ATTACH OUT	73.11.11.2	02TD-007		
	-T RESET-A-REG-ERROR-1	73.11.41.2	02TD-023		
	-T I-O TRF-1	73.11.41.2	02TD-013		
	-T I-O TRF-2	73.11.41.2	02TD-027		
	+6 VOLTS	73.12.11.2	02TD-036		
	+U I-O DISC-OUT-1	73.11.51.2	02TD-014		
	+U I-O DISC-OUT-2	73.11.51.2	02TD-015		
+U SELECT-I-OUT	73.11.61.2	02TD-028			
+U SET-WRITE-LATCH-OUT	73.11.41.2	02TD-024			
+U SET-READ-LATCH-OUT	73.11.41.2	02TD-025			
+U I-O ERROR-LAT-1 OUT	73.11.41.2	02TD-026			
+U START-RESET-OUT	73.11.31.2	02TD-039			
+U NOT START-RESET-OUT	73.11.31.2	02TD-037			
+U SERVICE-REQUEST-OUT-1	73.11.11.2	02TD-041			
+U SERVICE-REQUEST-OUT-2	73.11.11.2	02TD-042			
+U A-REG-12	35.16.51.2	02TD-044			
+U A-REG-8-NOT-4	35.16.71.2	02TD-045			
-T FORCE-ODD-RED-2	73.11.51.2	02TD-048			
-T SELECT-I-O OUT	73.11.11.2	02TD-046			
+U I-O WRITE CALL OUT	73.11.11.2	02TD-051			
+U NOT SELECT-I-O OUT	73.11.11.2	02TD-054			
+U DATA C LOAD OR MOVE OUT	73.12.11.2	02TD-056			
-C I-O OUTPUT WM	73.12.11.2	02TD-111/112			
+U DATA C OUT	70.51.21.2	02TD-040			

NOTE: PLUG CONN 02TD-121/122 121 IS SIGNAL WIRE 122 IS REF WIRE  
 NOTE 1: USED BY DIRECT DATA CHANNEL FEATURE ONLY. IF THIS FEATURE IS  
 INSTALLED AND ANOTHER SERIAL I-O DEVICE IS TO BE CONNECTED, A  
 JUMPER MUST BE PROVIDED IN THE CONNECTOR OF DEVICE BEING ATTACHED

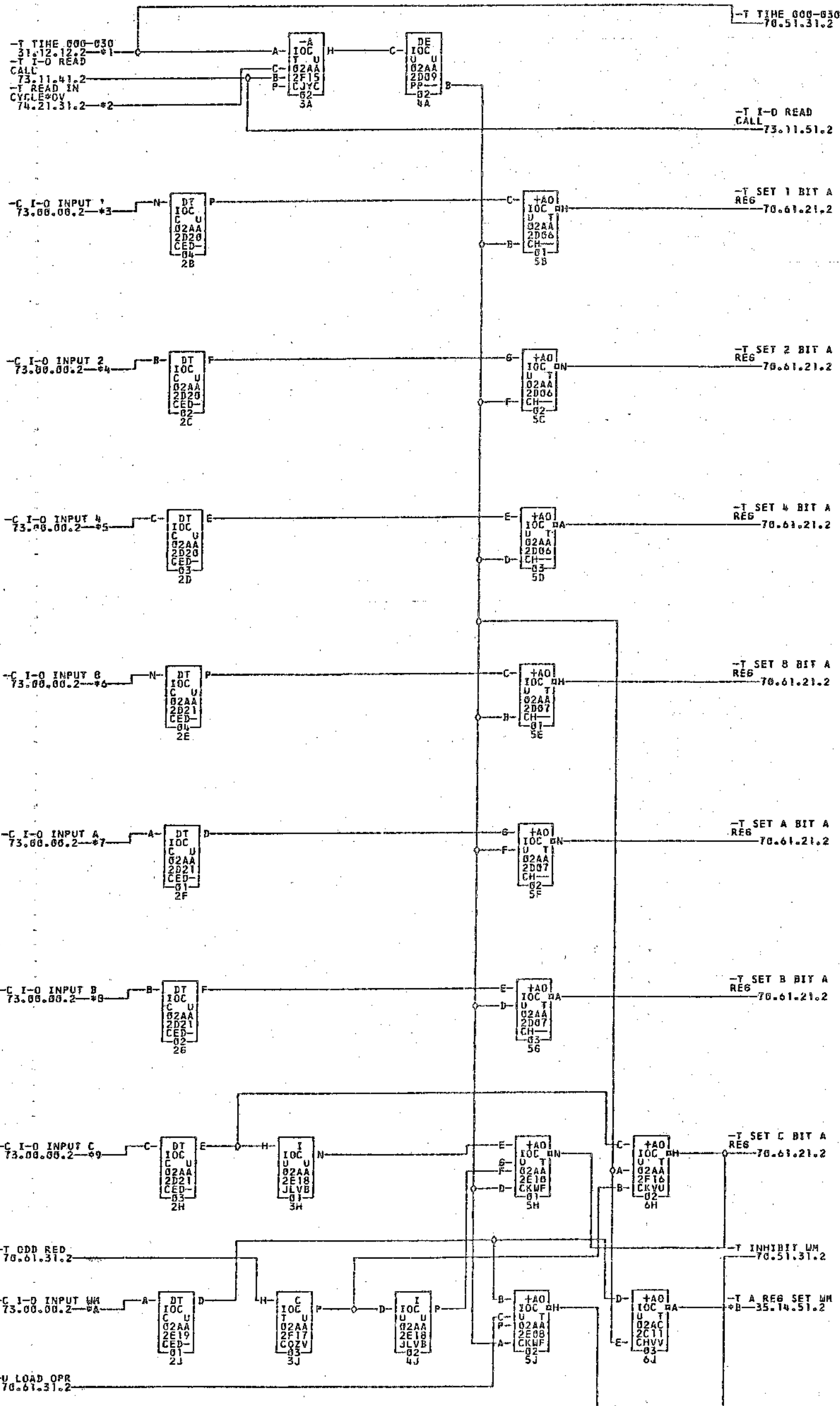
DATE	EC NO	DATE	EC NO	DATE	EC NO
6-27-61	110320V	3-10-64	114105		
7-17-62	116225	27AUG65	124694		
8-3-62	116230				
10-22-62	116728				
9-17-63	118575B				



- #1-02A2B25E
- #2-02TD-132
- #3-02A2E23M
- #4-02TD-113
- #5-02A2F26A
- #6-02A2F26B
- #7-02A2F26C
- #8-02TD-047
- #9-02A2C22B
- #A-02A2F26K
- #B-02TD-055
- #C-02A2B23K
- #D-02B1D03K
- #E-02A2E24H
- #F-02TD-051
- #G-02A2F24N
- #H-02A2E24I
- #I-02TD-042
- #J-02A2F25M
- #K-02B1A03H
- #L-02A2D26C
- #M-02A2C22A
- #N-02TD-054
- #O-02A2E26E
- #P-02A2F26M
- #Q-02TD-056
- #R-02A2F26Q
- #S-02TD-019

COMMENTS

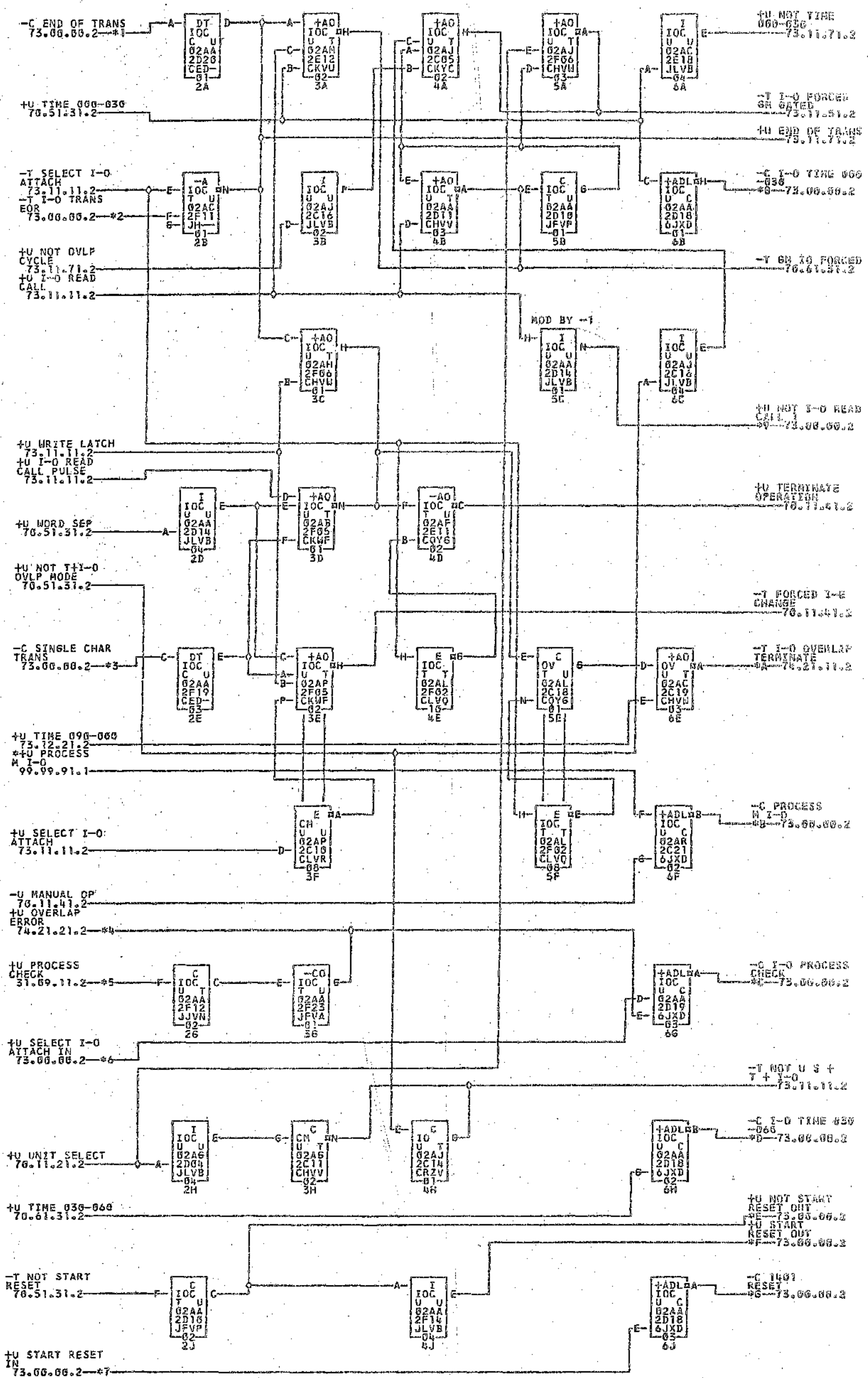
TAG	DATE	E.C. NO.	TAG	DATE	E.C. NO.	TAG	DATE	E.C. NO.	TAG	DATE	E.C. NO.
A	06-12-61	10320V	B	07-10-61	11032DK	C	08-11-61	10324N	D	09-11-61	110324U
E	10-11-61	122235V	F	12-08-61	13622E	G	02-12-62	142239	H	02-22-62	114240
J	04-04-62	1152235	K	07-18-62	16222E	L	06-07-62	116230	M	08-23-62	116728
N	11-08-62	1218359	P	12-10-62	16749B	Q	08-06-63	118300	R	09-16-63	118575B



- \*1-02A2D25E
- \*2-02A2B23B
- \*3-02TD-172
- 02A2E23C
- \*4-02TD-174
- 02A2E23D
- \*5-02TD-176
- 02A2E23E
- \*6-02TD-182
- 02A2E23F
- \*7-02TD-180
- 02A2E23G
- \*8-02TD-182
- 02A2E23H
- \*9-02TD-184
- 02A2E23J
- \*A-02TD-170
- 02A2E23K
- 02A9F17B
- 01A3E83Q

COMMENTS

TAG	DATE	E.C.NO.	TAG	DATE	E.C.NO.	TAG	DATE	E.C.NO.	TAG	DATE	E.C.NO.
A	04-12-61	110327V	B	09-11-61	110324U	C	10-11-61	112235	D	12-06-61	113422
E	04-04-62	115278	F	10-23-62	116728	G	12-10-62	116749B	H	03-14-63	117144
J	04-19-63	117484	K	06-05-63	117053	L	11-23-63	117149			

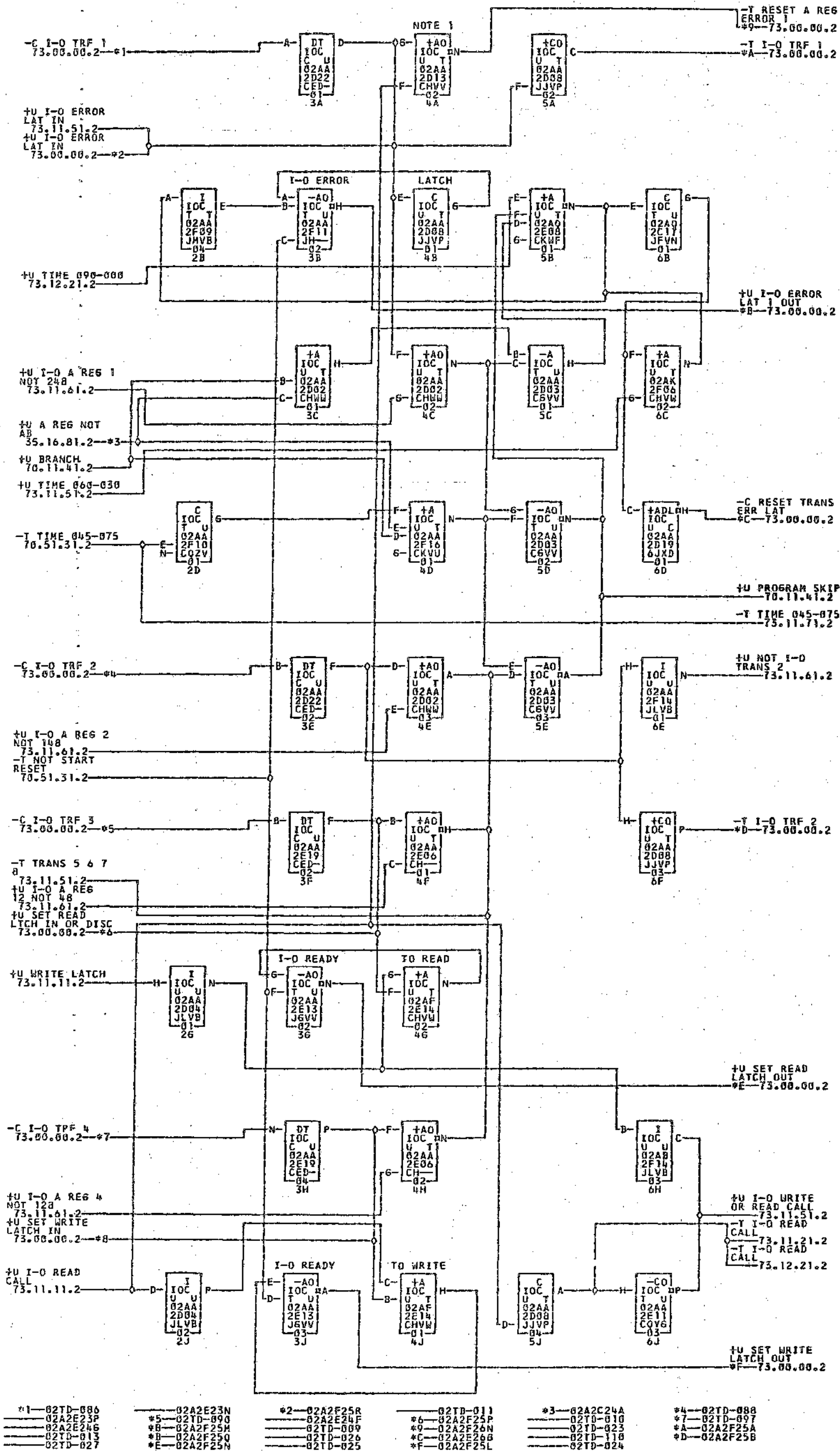


- \*1-02TD-091
- \*2-02A2F25C
- \*3-02TD-082
- \*4-02A2E24N
- \*5-02A2A24L
- \*6-02TD-038
- \*7-02TD-038
- \*8-02A2E24N
- \*9-02A2F26L
- \*10-02TD-022
- \*11-02TD-038
- \*12-02A2E24N
- \*13-02A2F26L
- \*14-02TD-021
- \*15-02A2E24N
- \*16-02A2E26H
- \*17-02TD-103
- \*18-02A2F25E
- \*19-02TD-037
- \*20-02A2F256
- \*21-02TD-039
- \*22-02A2E26K
- \*23-02TD-084

COMMENTS  
 SIGNALS PRECEDED BY AN ASTERISK  
 INDICATE DIRECT CABLE EXPANSION

TAB	DATE	E.C. NO.	TAB	DATE	E.C. NO.	TAB	DATE	E.C. NO.	TAB	DATE	E.C. NO.
1	06-12-01	116320V	1	07-10-61	116324N	1	08-11-61	116324N	1	09-01-61	116325H
2	08-11-61	116324N	2	12-06-61	116324N	2	04-06-62	116327B	2	01-17-62	116327B
3	08-21-62	116327B	3	10-23-62	116327B	3	12-18-62	116327B	3	01-17-63	116327B
4	06-05-65	116327B	4	08-06-65	116327B	4	09-16-65	116327B	4	01-17-66	116327B

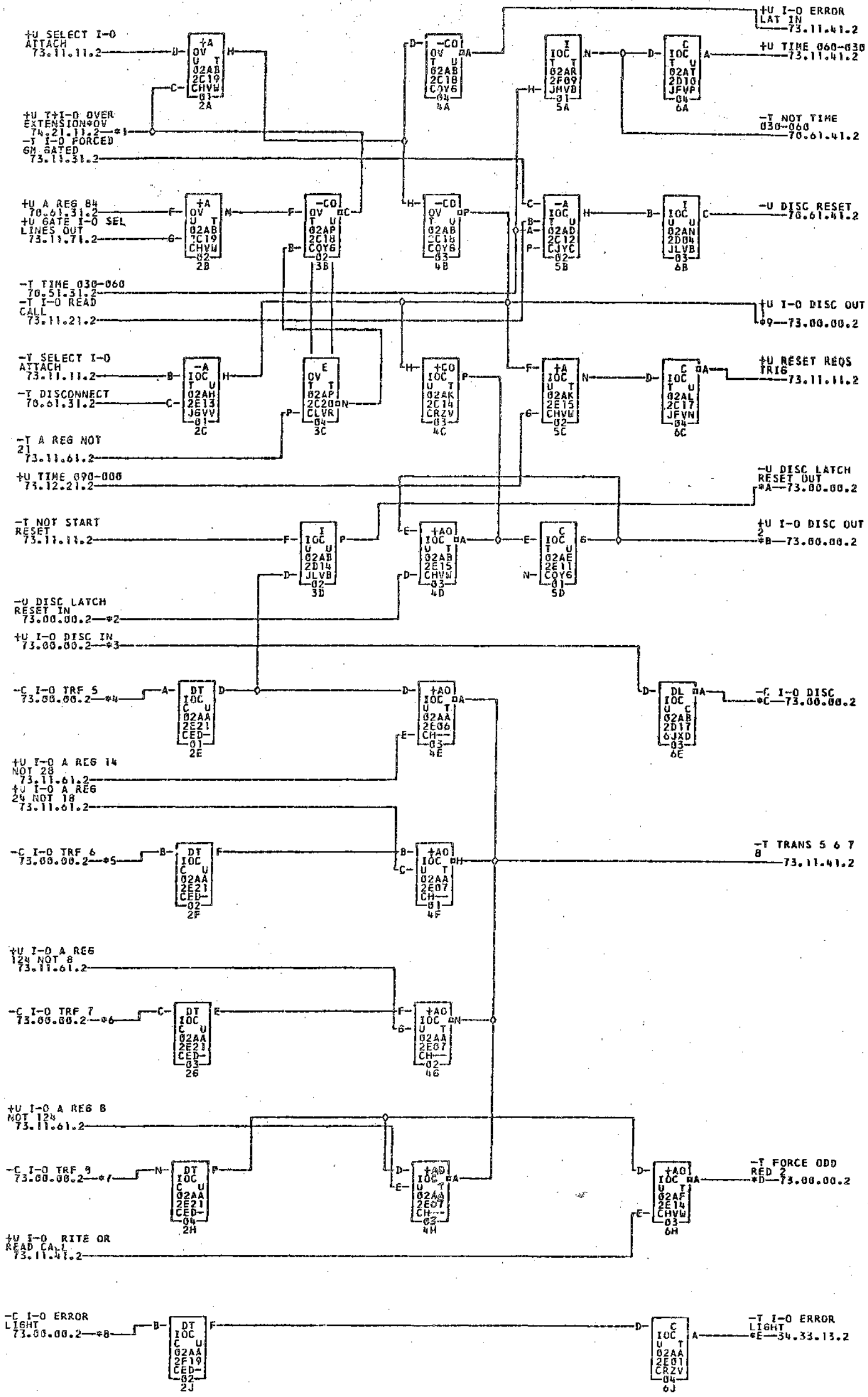




- \*1-02TD-086
- 02A2E23P
- 02A2E246
- 02TD-013
- 02TD-027
- \*2-02A2E23N
- \*5-02TD-090
- \*8-02A2F25M
- \*B-02A2F25Q
- \*E-02A2F25N
- \*2-02A2F25R
- 02A2E24F
- 02TD-009
- 02TD-026
- 02TD-025
- 02TD-011
- \*6-02A2F25P
- \*9-02A2F26N
- \*C-02A2E26B
- \*F-02A2F25L
- \*3-02A2C24A
- 02TD-010
- 02TD-023
- 02TD-110
- 02TD-024
- \*4-02TD-088
- \*7-02TD-097
- \*A-02A2F25A
- \*D-02A2F25B

NOTE 1 LOAD FOR THIS CARD SUPPLIED BY YIE DOWN TO A13 WITH NO MAG. TAPE

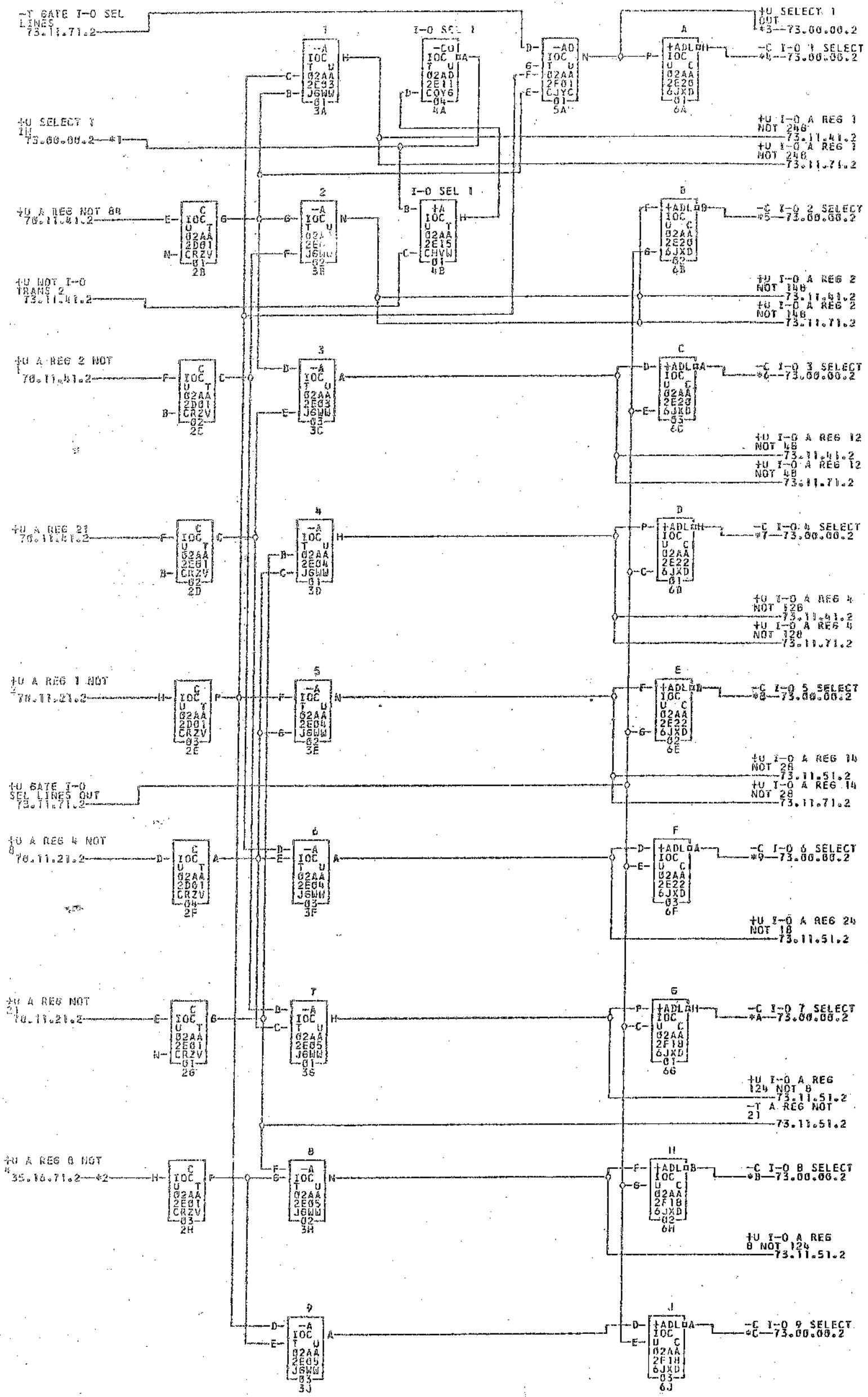
TAG	DATE	E.C. NO.	TAG	DATE	E.C. NO.	TAG	DATE	E.C. NO.	TAG	DATE	E.C. NO.
A	06-12-61	110320V	B	07-10-61	110324K	C	08-11-61	110324N	D	09-11-61	110324U
E	09-18-61	110324V	F	12-06-61	113422	G	02-12-62	114239	H	02-22-62	114248
J	04-04-62	115278	K	07-17-62	116225	L	08-21-62	116239	M	11-08-62	116353
N	12-10-62	116749B	P	09-16-63	118575B	Q	03-11-64	114106	R	06-15-64	114222



- \*1--02A2B258      \*2--02TD-005      ---02A2F26H      \*3--02A2F26E      ---02TD-030      \*4--02TD-099
- 02A2E24B      \*5--02TD-106      ---02A2E24C      \*6--02TD-108      ---02A2E24D      \*7--02TD-117
- 02A2E24E      \*8--02TD-134      ---02A2E24P      \*9--02A2F26F      ---02TD-014      \*A--02A2F26G
- 02TD-020      \*B--02A2F26D      ---02TD-015      \*C--02A2E26D      ---02TD-136      \*D--02A2F24J
- 02TD-048      \*E--02A2C23H      ---02A0F03B      ---01B1C03H      ---01B1E02E      \*D--01B3D02E

COMMENTS

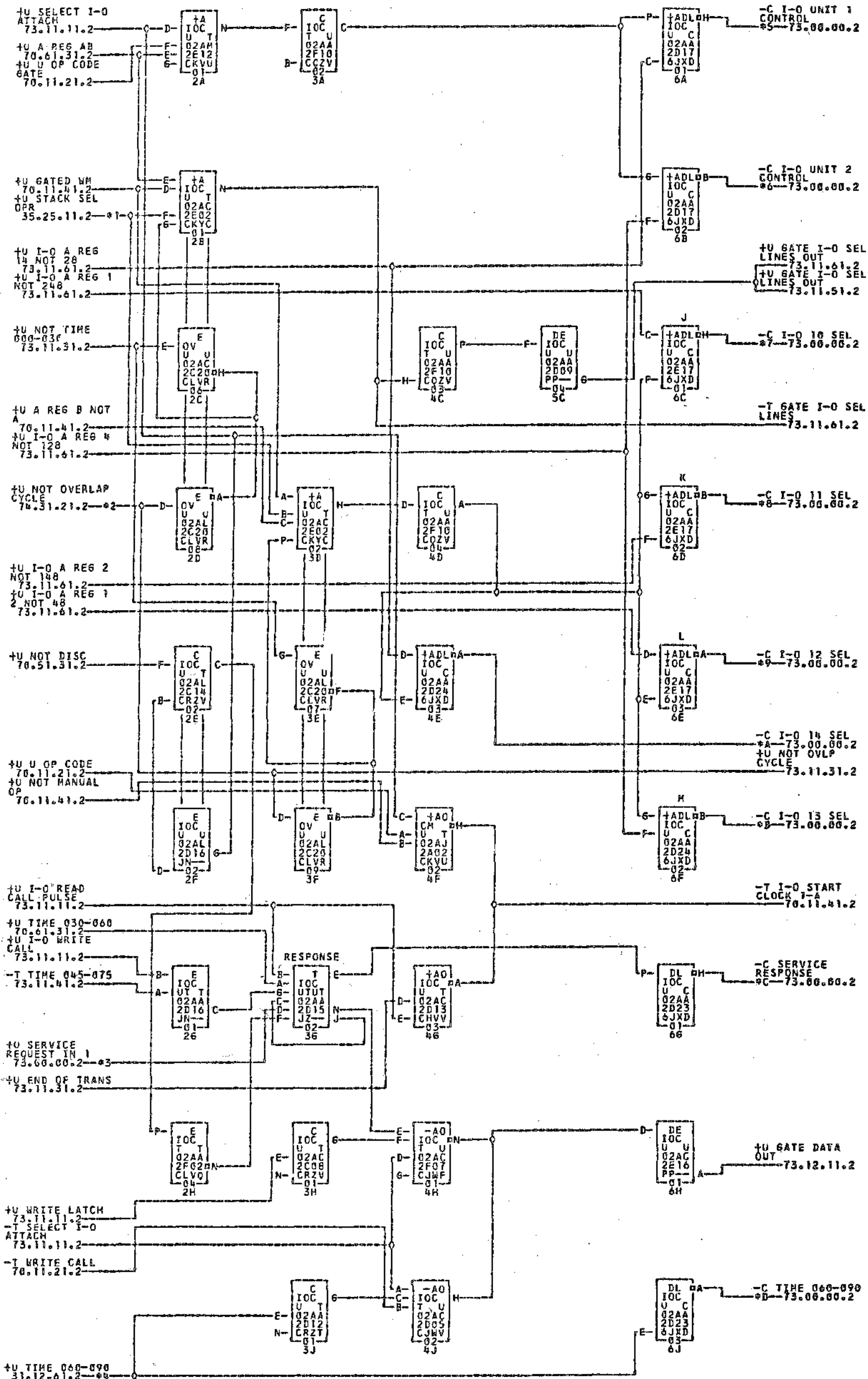
TAG	DATE	E.C.NO.	TAG	DATE	E.C.NO.	TAG	DATE	E.C.NO.	TAG	DATE	E.C.NO.
A	06-12-61	110320V	B	08-11-61	110324N	C	09-01-61	110324S	D	09-11-61	110324U
E	10-11-61	112255	F	12-06-61	113422	G	02-12-62	114239	H	04-04-62	115278
J	05-11-62	115294	K	07-17-62	116225	L	08-07-62	116230	M	08-21-62	116239
N	10-23-62	116728	P	12-10-62	116749B	Q	06-05-63	117953	R	08-06-63	118306
S	11-23-63	117149	T	03-11-64	114106	U	11-04-64	121869			



- #1--02A2F25K      #2YD--029      #2--02A2C24E      #3--02A2F25J      #4--02TD--026      #4H--02A2E25J
- 02TD--102      #6--02A2E25K      #4--02A2E25L      #6--02A2E25L      #5--02TD--146      #7--02A2E25H
- 02TD--140      #8--02A2E25M      #7--02A2E25P      #7--02A2E25P      #8--02TD--152      #A--02A2E250
- 02TD--154      #9--02A2E25F      #C--02A2E256      #C--02A2E256      #9--02TD--138

COMMENTS

TAG	DATE	E.C.NO.	TAG	DATE	E.C.NO.	TAG	DATE	E.C.NO.	TAG	DATE	E.C.NO.
A	06-12-61	118320V	D	07-10-61	118324K	C	08-11-61	118324N	D	10-11-61	112235
E	11-08-62	116353	F	12-18-62	116740V	G	06-05-63	117953			

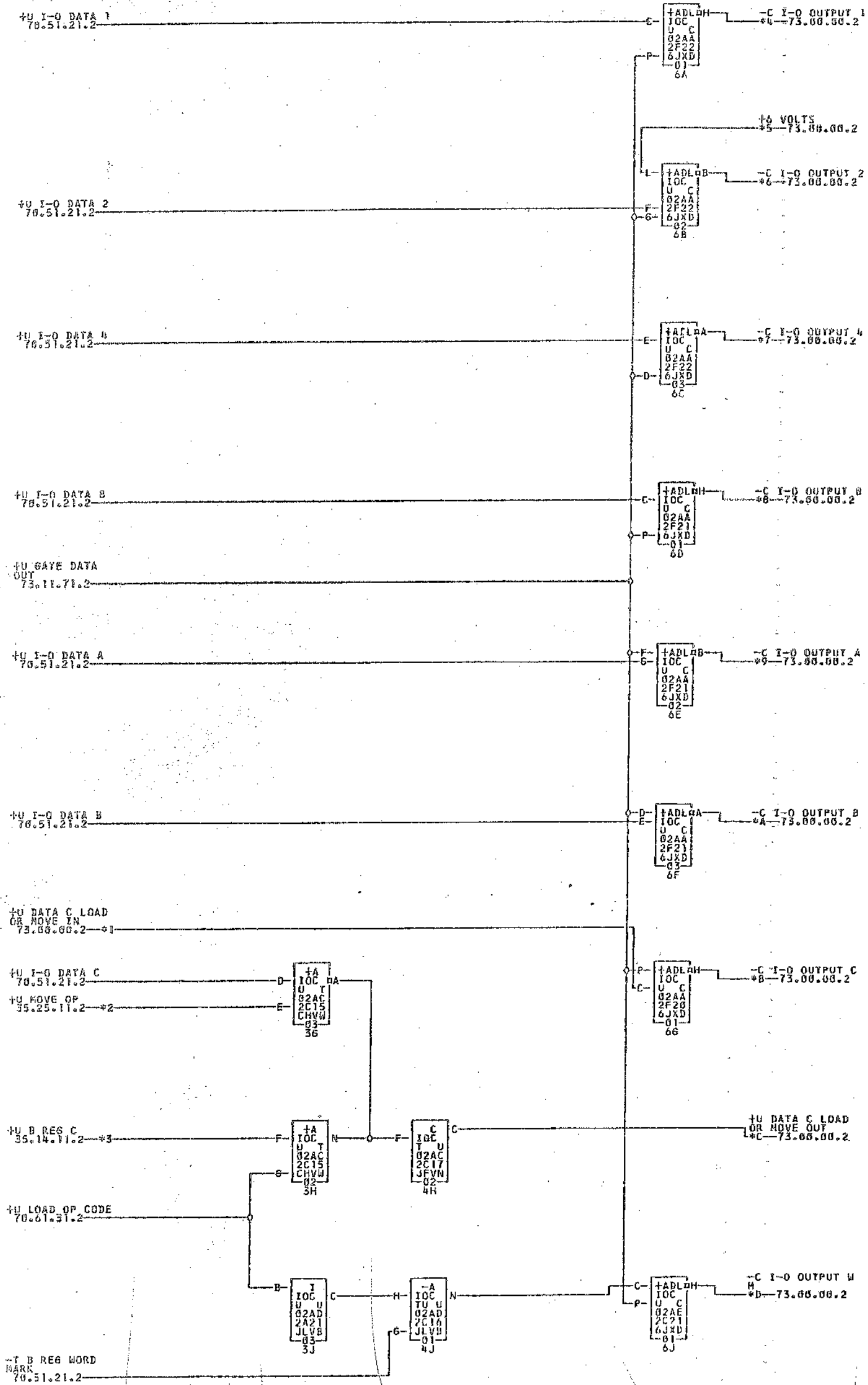


- \*1-02A2C23E      \*2-02A2B23R      \*3-02A2F24P      \*4-02A2D25D      \*5-02A2E26B
- 02TD-164      ---02TD-166      ---02TD-156      ---02TD-158      ---02TD-156
- 02TD-158      ---02TD-160      ---02TD-138      ---02TD-138      ---02A2E25C
- 02TD-162      ---02TD-119      ---02A2E25H      ---02A2E26N      ---02TD-128
- 02A2E26Q      ---02A2E25B      ---02A2E25H      ---02A2E26N      ---02A2E25E

COMMENTS

TAG	DATE	E.C.NO.	TAG	DATE	E.C.NO.	TAG	DATE	E.C.NO.	TAG	DATE	E.C.NO.
A	06-12-61	10320V	B	07-10-61	10324K	C	08-11-61	10324N	D	09-18-61	10324V
E	10-11-61	112235	F	04-04-62	115278	G	05-11-62	115294	H	07-17-62	116225
J	08-21-62	116335	K	11-08-62	116353	L	12-10-62	116749B	M	03-27-63	117238
N	06-05-63	117953	P	04-15-64	118222	O	08-26-65	126494			

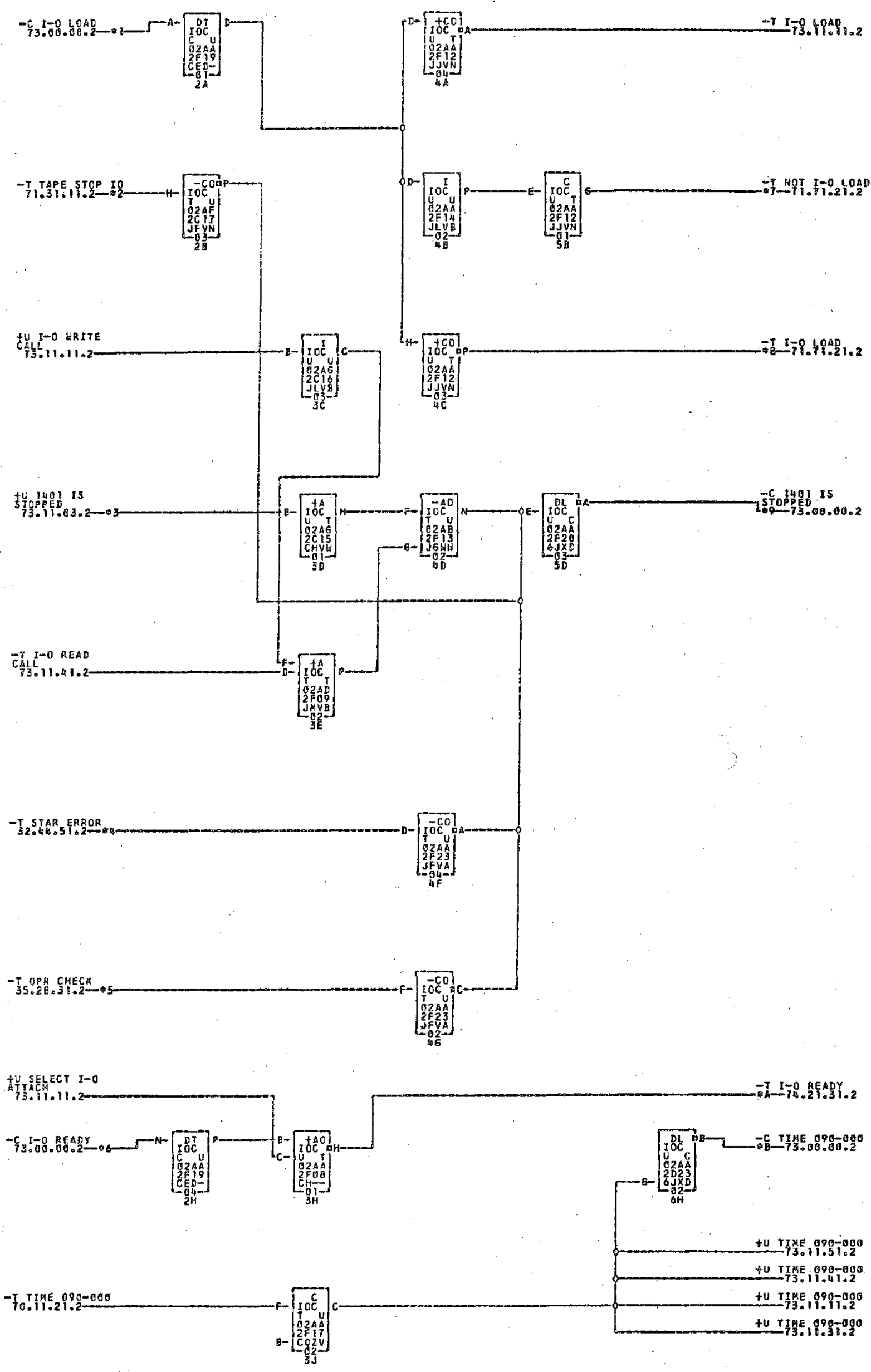




- \*1-02A2E26J      ———— 02TD-049      \*2-02A2D25G      ———— \*3-02A2D25H      \*4-02A2F24H      ———— 02TD-186
- \*5-02A2F25D      ———— 02TD-036      \*6-02A2F24G      ———— 02TD-188      \*7-02A2F24F      ———— 02TD-190
- \*8-02A2F24E      ———— 02TD-192      \*9-02A2F24D      ———— 02TD-194      \*A-02A2F24C      ———— 02TD-196
- \*B-02A2F24B      ———— 02TD-198      \*C-02A2F24Q      ———— 02TD-054      \*D-02A2C22C      ———— 02TD-111

COMMENTS

TAG	DATE	E.C.NO.	TAG	DATE	E.C.NO.	TAG	DATE	E.C.NO.	TAG	DATE	E.C.NO.
A	06-12-61	110320V	B	07-10-61	110324R	C	08-07-62	11230	D	11-08-62	11635
E	12-10-62	116719B	F	06-05-63	117953						

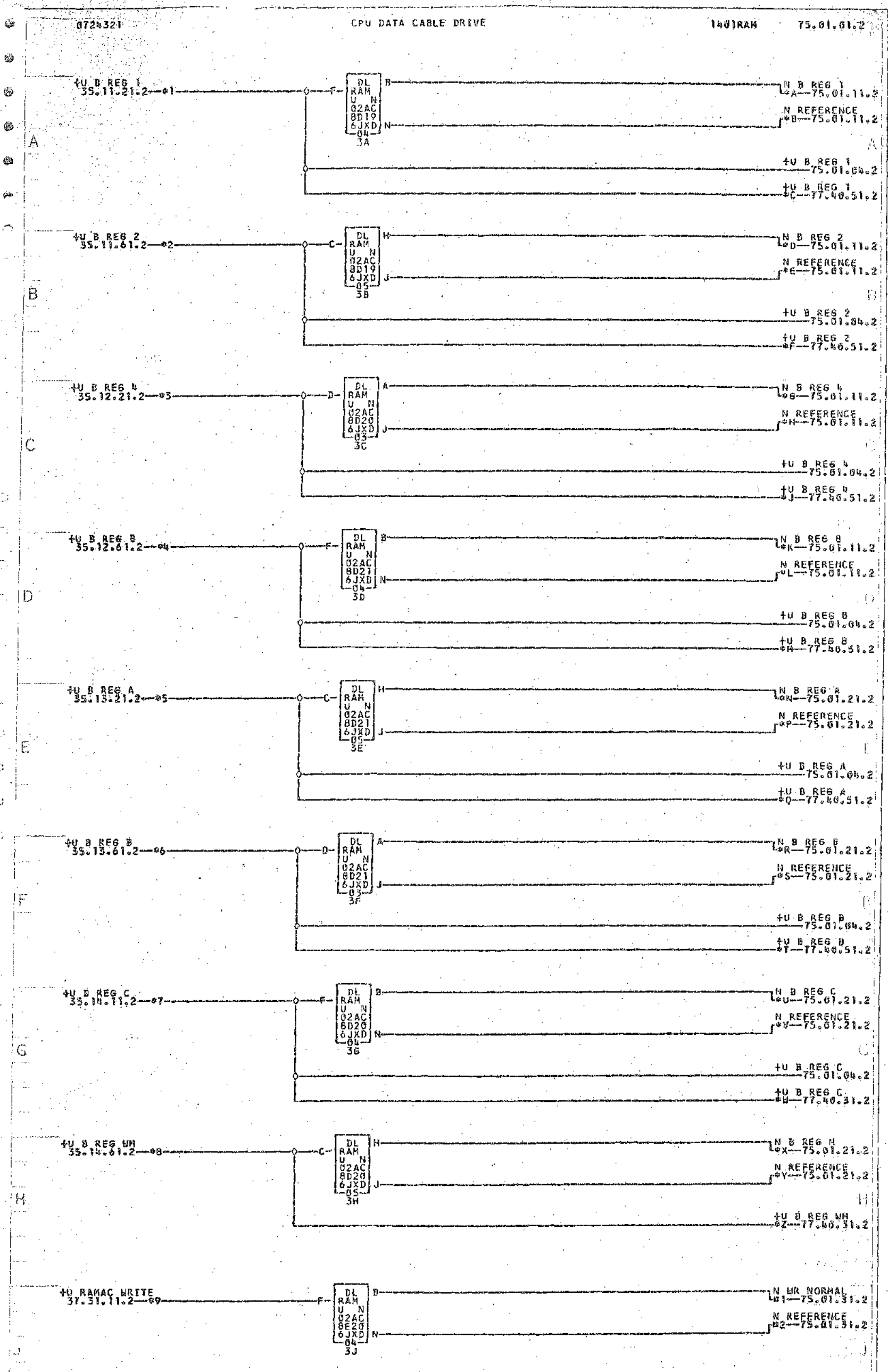


- \*1--02TD-168      \*2--02A2D26E      \*3--02A2D25C      \*4--02A2D25A      \*5--02A2D25B
- \*6--02A2E230      \*7--02A2E236      \*8--02A2D25D      \*9--02A2E241
- \*8--02A2E250      \*B--02A2E26W      ---02TD-126

COMMENTS

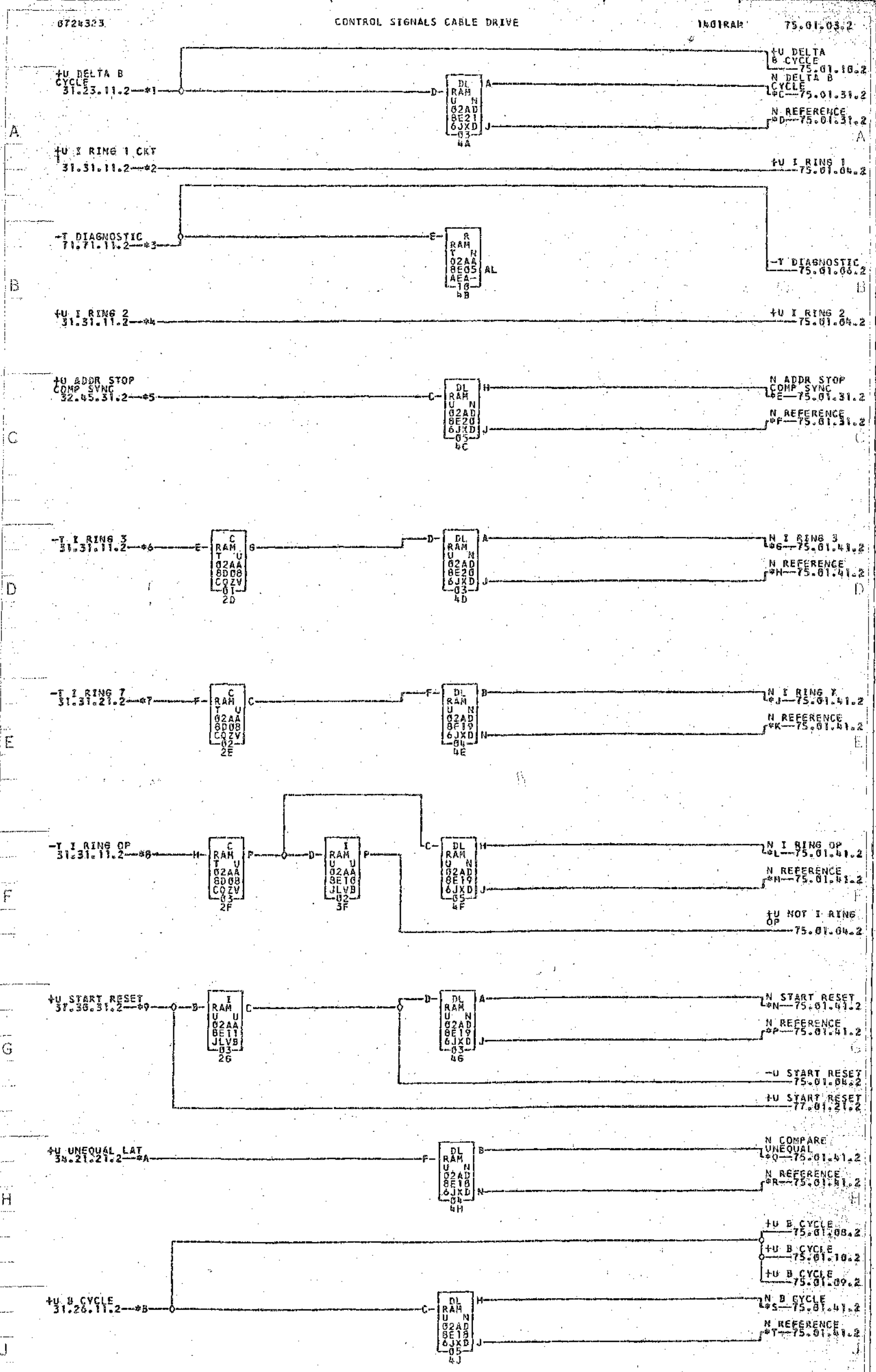
TAG	DATE	E.C.NO.	TAG	DATE	E.C.NO.	TAG	DATE	E.C.NO.	TAG	DATE	E.C.NO.
A	06-12-61	118320V	B	08-11-61	118324N	C	10-11-61	112235	D	12-06-61	113422
E	04-04-62	115278	F	08-07-62	116230	G	11-08-62	116353	H	12-10-62	116769B
J	06-05-63	117953	K	06-26-65	12469W						



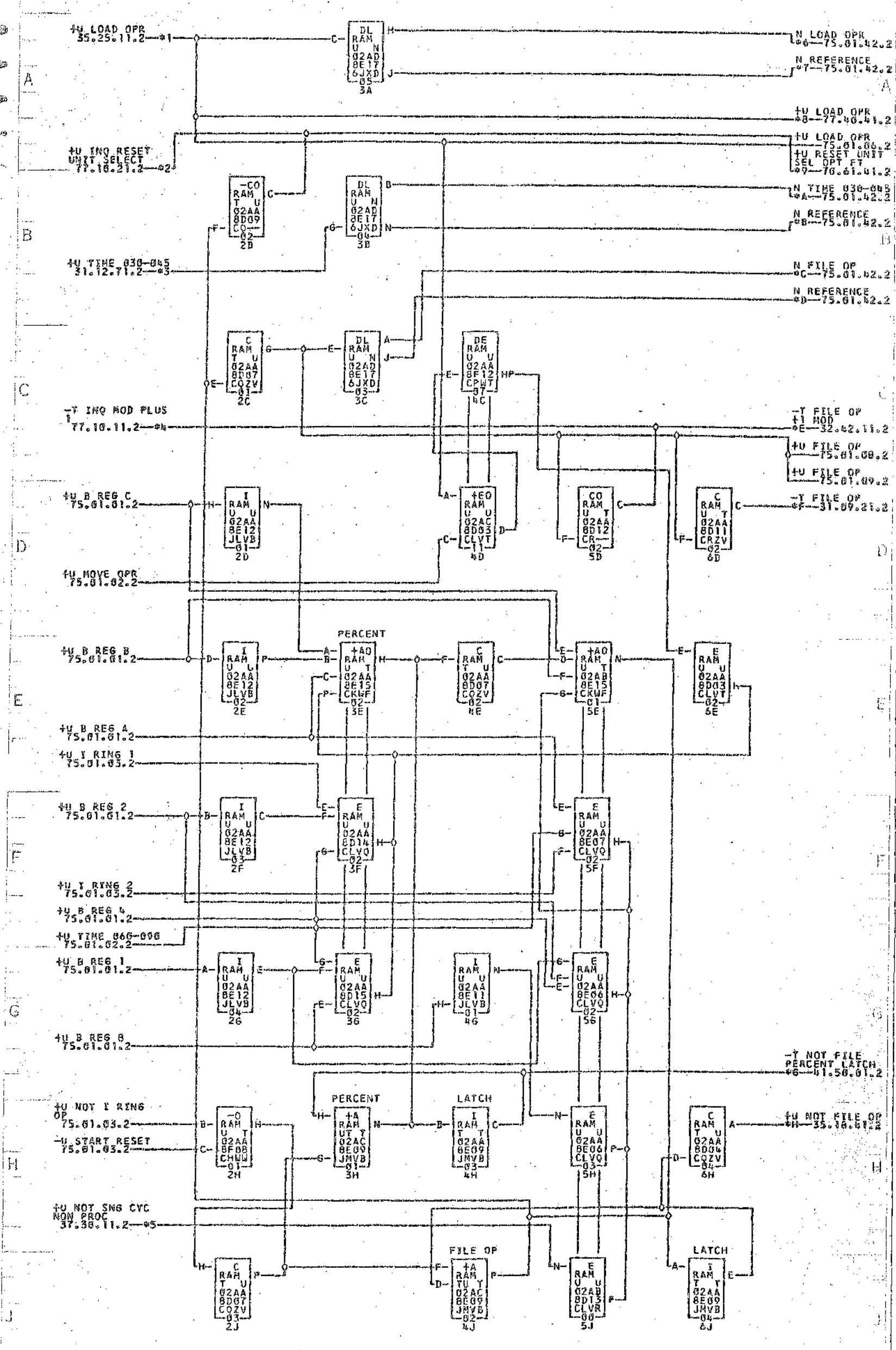


*1-02A8E23A	-----02A0B01F	-----01A3F2NA	*2-02A8E23B	-----02A8B03F	-----01A3F2ND
*2-02A8E23C	-----02A0B05E	-----01A3F2NC	*4-02A8E23D	-----02A8C03F	-----01A3F2ND
*3-02A8E23E	-----02A0B17F	-----01A3F2NE	*6-02A8E23F	-----02A8C19F	-----01A3F2NF
*4-02A8E23G	-----02A0B03D	-----01A3A2AK	*8-02A8E23H	-----02A0B13E	-----01A3E25C
*5-02A8E23J	-----02A0E05A	-----01A2A12R	*A-02A8D26A	-----02B5C103	*B-02A8D26B
*6-02B5C107	*C-02A8C25G	*D-02A8D26C	-----02B5C111	*E-02A8D26D	-----02B5C114
*F-02A8C25H	*G-02A8D26E	*H-02A8D26F	*J-02A8E25J	*K-02A8D26G	-----02B5C124
*I-02A8D26H	-----02B5C127	*M-02A8C25K	*N-02A8D26J	*P-02A8D26K	*O-02A8C25L
*L-02A8D26I	-----02B5C136	*S-02A8D26M	-----02B5C139	*T-02A8C25M	*U-02A8D26N
*M-02A8D26L	*W-02A8C25N	*X-02A8D26O	-----02B5C148	*Y-02A8D26R	-----02B5C151
*N-02A8D26M	*1-02A8D25L	*2-02A8D25M			





- |               |               |               |               |               |               |
|---------------|---------------|---------------|---------------|---------------|---------------|
| *1-02ABF23D   | -----02A9F01D | -----01B2B536 | *2-02ABF23K   | -----02A0D19F | -----01B2C01N |
| *3-02ABF24N   | -----02A0E01A | -----01A2A24E | *4-02ABF23L   | -----02A0D17F | -----01B2C01M |
| *5-02ABF230   | -----02ABF23M | -----02A8D01D | -----01B2A81D | -----02ABF23N | -----02A0E01E |
| -----01B2A02P | *6-02ABF23J   | -----02A8C15D | -----01B2A81A | *7-02ABF23E   | -----02A9F07A |
| -----01A2A14K | *8-02ABF23F   | -----02A8C11G | -----01B2A01R | *8-02ABF23C   | -----02A9F07D |
| -----01B2B03K | *C-02ABF226R  | -----02B5C173 | *D-02ABF226H  | -----02B5C176 | *E-02A8D25H   |
| -----02B5C153 | *F-02A8D25R   | -----02B5C156 | *D-02ABD256G  | -----02B5C135 | *H-02A8D25H   |
| -----02B5C158 | *J-02A8D25J   | -----02B5C161 | *K-02ABD25K   | -----02B5C144 | *L-02A8F26Q   |
| -----02B5C217 | *M-02ABF26R   | -----02B5C221 | *N-02ABF26L   | -----02B5C203 | *P-02ABF26N   |
| -----02B5C207 | *O-02ABF26N   | -----02B5C211 | *R-02ABF26P   | -----02B5C214 | *S-02ABF26E   |
| -----02B5C165 | *T-02ABF26F   | -----02B5C178 |               |               |               |

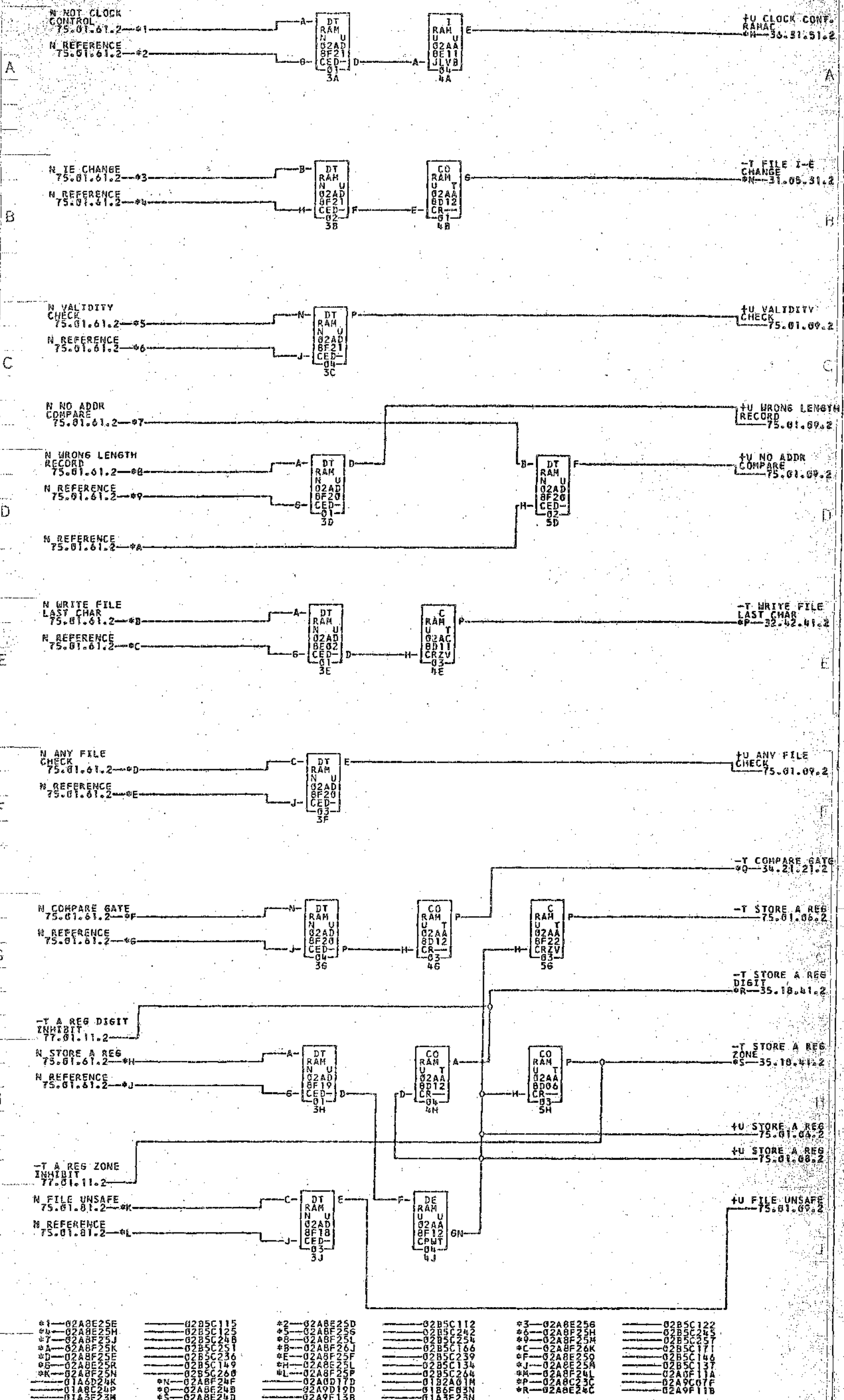


- \*1-02A8F23B
- \*2-01B0A03H
- \*3-02A8D23D
- \*4-01B0A0CD
- \*5-02A8C24A
- \*6-02A8E23R
- \*7-02A8F26D
- \*8-01B0A025R
- \*9-02A8E24C
- \*A-02A8E26H
- \*B-02A8E26H
- \*C-02A8E25A
- \*D-02A8E25B
- \*E-02A8F24K
- \*F-02A8F24M
- \*G-02A8F19C
- \*H-02A8E24E
- \*I-02A8F15E
- \*J-01A3E23P
- \*K-02A8C175
- \*L-02A8C104
- \*M-02A8C104
- \*N-02A8F24M
- \*O-02A8F24M
- \*P-02A8F24M
- \*Q-02A8F24M
- \*R-02A8F24M
- \*S-02A8F24M
- \*T-02A8F24M
- \*U-02A8F24M
- \*V-02A8F24M
- \*W-02A8F24M
- \*X-02A8F24M
- \*Y-02A8F24M
- \*Z-02A8F24M

0724325

CTRL SIGNAL TERMINATION+DIST.

INQIRAH 75.01.05.2



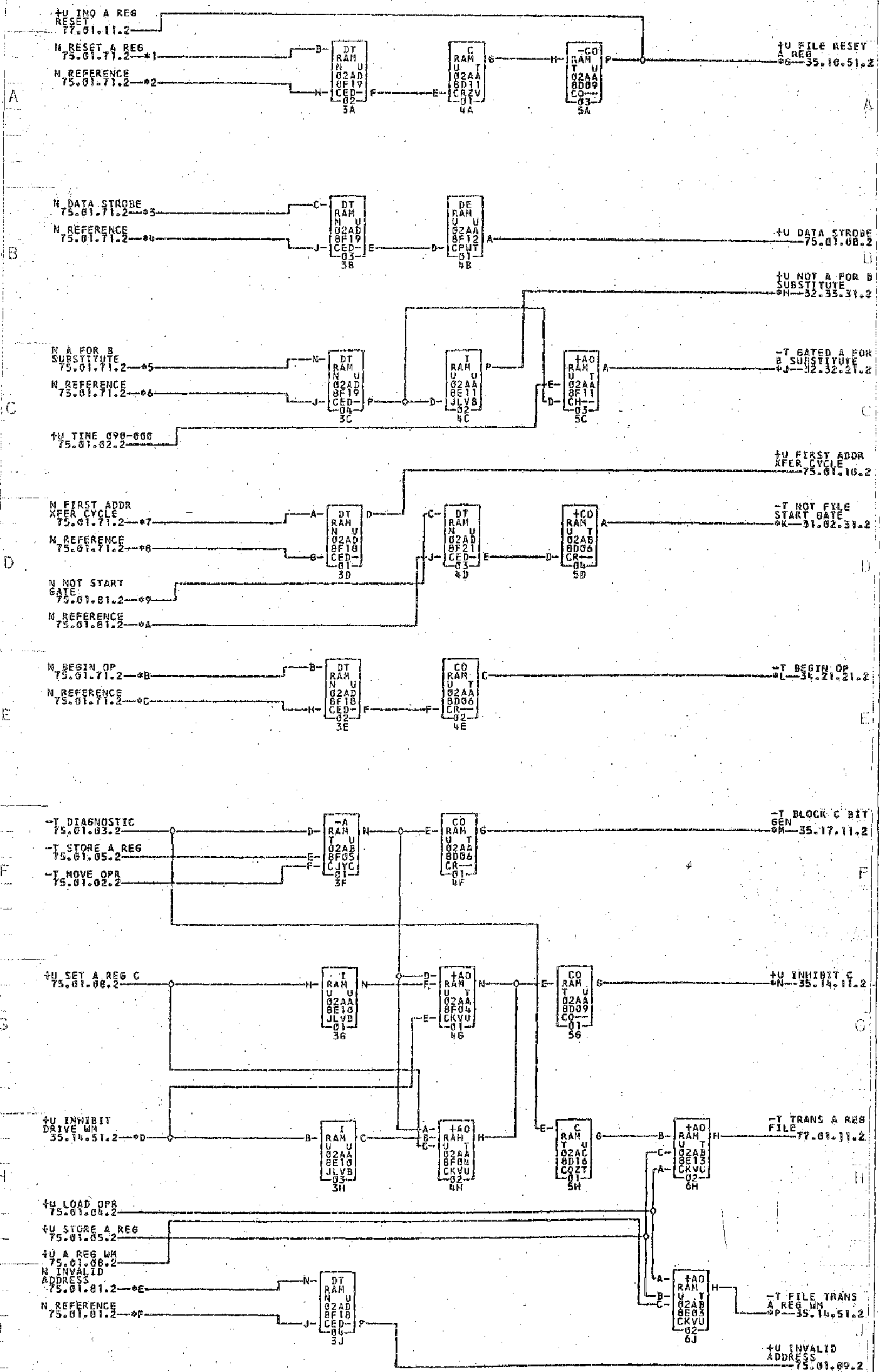
- |             |          |             |          |             |          |
|-------------|----------|-------------|----------|-------------|----------|
| #1-02A8E25E | 02B5C115 | #2-02A8E25D | 02B5C112 | #3-02A8E25G | 02B5C122 |
| #4-02A8E25H | 02B5C125 | #5-02A8E25G | 02B5C242 | #6-02A8F25H | 02B5C245 |
| #7-02A8F25J | 02B5C24B | #8-02A8F25L | 02B5C254 | #9-02A8F35M | 02B5C257 |
| #A-02A8F25K | 02B5C251 | #B-02A8F26J | 02B5C166 | #C-02A8F26K | 02B5C171 |
| #D-02A8F25E | 02B5C236 | #E-02A8F25F | 02B5C239 | #F-02A8E25O | 02B5C146 |
| #G-02A8E25R | 02B5C149 | #H-02A8E25L | 02B5C134 | #J-02A8E25A | 02B5C137 |
| #K-02A8F25N | 02B5C260 | #L-02A8F25P | 02B5C264 | #M-02A8F26L | 02A0F11A |
| #N-02A8F24F | 02A0D17D |             | 01B2A01M | #P-02A8C23C | 02A9C07F |
| #O-02A8E24B | 02A9D19D |             | 01B6F03N | #R-02A8E26C | 02A9F11B |
| #S-02A8E24D | 02A9F13B |             | 01A3E23N |             |          |

0724324

CTRL SIGNAL TERMINATION + DIST.

1461RAM

75.01.06.2



*1--02A8E25N	-----02B5C140	*2--02A8E25P	-----02B5C143	*3--02A8E25J	-----02B5C12B
*4--02A8E25K	-----02B5C131	*5--02A8E25Q	-----02B5C230	*4--02A8E25D	-----02B5C233
*7--02A8E25A	-----02B5C22A	*8--02A8E25B	-----02B5C227	*9--02A8E25N	-----02B5C159
*A--02A8E25P	-----02B5C163	*6--02A8E25C	-----02B5C10B	*C--02A8E25D	-----02B5C112
*D--02A8E24R	-----02A9F19B	*E--02A8E23R	-----02A8E250	-----02B5C267	*F--02A8E25R
-----02B5C272	*G--02A8E24P	-----02A8E23R	-----01A3F23J	*H--02A8E24E	-----02A8E036
-----01A7F25N	-----02A8E24D	-----02A9D19D	-----01A7B24N	*K--02A8E25E	-----02A8E056
-----01B2C03F	*L--02A8E24A	-----02A9E01D	-----01B6F03P	*M--02A8E24P	-----02A8E05C
-----01A3F23R	*N--02A8E24Q	-----02A8E07B	-----01A3D256	*P--02A8E23H	-----02A8E056
-----01B2C03R	-----01B2D04M	-----01A3D25H			

COMMENTS

TAG DATE	E.C.NO.	TAG DATE	E.C.NO.	TAG DATE	E.C.NO.	TAG DATE	E.C.NO.
A 06-09-61	110324	B 09-01-61	1103245	C 01-31-62	113841	D 03-02-62	114801

0724327

CHAR REG TERMINATION + DISTRIBUTION

INSTRAM

75.01.07.2

N CHAR REG 1  
75.01.51.2--\*1

N REFERENCE  
75.01.51.2--\*2



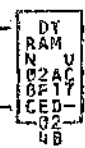
+U CHAR REG 1  
75.01.08.2

A

A

N CHAR REG 2  
75.01.51.2--\*3

N REFERENCE  
75.01.51.2--\*4



+U CHAR REG 2  
75.01.08.2

B

B

N CHAR REG 4  
75.01.51.2--\*5

N REFERENCE  
75.01.51.2--\*6



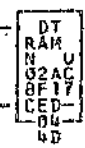
+U CHAR REG 4  
75.01.08.2

C

C

N CHAR REG 8  
75.01.51.2--\*7

N REFERENCE  
75.01.51.2--\*8



+U CHAR REG 8  
75.01.08.2

D

D

N CHAR REG A  
75.01.51.2--\*9

N REFERENCE  
75.01.51.2--\*A



+U CHAR REG A  
75.01.08.2

E

E

N CHAR REG B  
75.01.51.2--\*B

N REFERENCE  
75.01.51.2--\*C



+U CHAR REG B  
75.01.08.2

F

F

N CHAR REG C  
75.01.51.2--\*D

N REFERENCE  
75.01.51.2--\*E



+U CHAR REG C  
75.01.08.2

G

G

N CHAR REG WH  
75.01.51.2--\*F

N REFERENCE  
75.01.51.2--\*G



+U CHAR REG WH  
75.01.08.2

H

H

*1--02A8D24A	-----02B5C202	*2--02A8D24B	-----02B5C205	*3--02A8D24C	-----02B5C210
*4--02A8D24D	-----02B5C213	*5--02A8D24E	-----02B5C216	*6--02A8D24F	-----02B5C220
*7--02A8D24G	-----02B5C223	*8--02A8D24H	-----02B5C226	*9--02A8D24J	-----02B5C229
*A--02A8D24K	-----02B5C232	*B--02A8D24L	-----02B5C235	*C--02A8D24M	-----02B5C228
*D--02A8D24N	-----02B5C241	*E--02A8D24P	-----02B5C244	*F--02A8D24Q	-----02B5C247
*S--02A8D24R	-----02B5C250				



0724328

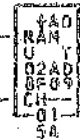
A REGISTER SET

1401RAM

75.01.00.2

-T SET A REG 1  
77.01.21.2

+U CHAR REG 1  
75.01.07.2



-T SET A REG 1  
75.11.11.2

-T SET A REG 2  
77.01.21.2

+U CHAR REG 2  
75.01.07.2



-T SET A REG 2  
75.11.11.2

-T SET A REG 4  
77.01.21.2

+U CHAR REG 4  
75.01.07.2



-T SET A REG 4  
75.12.11.2

-T SET A REG 8  
77.01.21.2

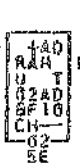
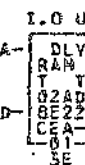
+U CHAR REG 8  
75.01.07.2



-T SET A REG 8  
75.12.11.2

-T SET A REG A  
77.01.21.2

NOTE 1  
86.00.00.0



-T SET A REG A  
75.12.11.2

+U CHAR REG A  
75.01.07.2

-T SET A REG B  
77.01.21.2

+U CHAR REG B  
75.01.07.2

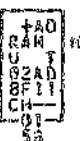


-T SET A REG B  
75.12.11.2

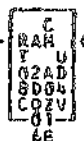
+U DATA STROBE  
75.01.06.2

-T SET A REG C  
77.01.21.2

+U CHAR REG C  
75.01.07.2



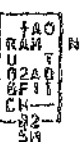
-T SET A REG C  
75.12.11.2



+U SET A REG C  
75.01.06.2

-T SET A REG WH  
77.01.21.2

+U CHAR REG WH  
75.01.07.2



-T A REG SET WH  
75.12.11.2

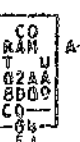


+U A REG WH  
75.01.06.2

+U FILE OP  
75.01.04.2

+U STORE A REG  
75.01.05.2

+U B CYCLE  
75.01.03.2



+U FILE MFEA  
77.01.21.2

- \*1--02A8E24F
- 02A8C18C
- \*4--02A8E24J
- 02A8D84C
- \*7--02A8E24K
- 01A3E230

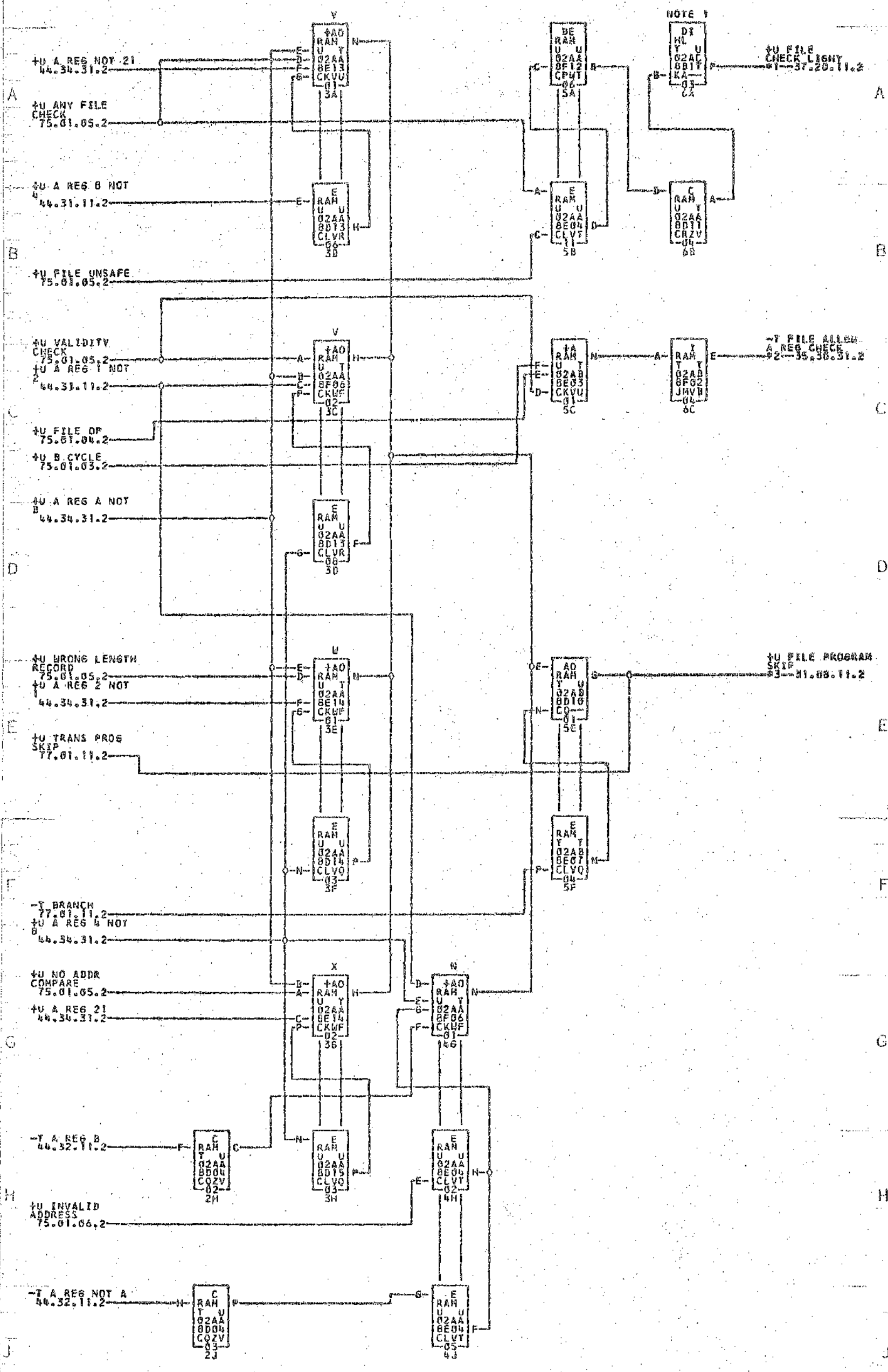
- 02A8E076
- 01A3F23B
- 02A8E09F
- 01A3F23E
- 02A8E11E

- \*3--02A8C16C
- 02A8E29H
- \*4--02A8D02C
- 02A8E28I
- 02A8D08C

- 01A3F23A
- 02A8E09E
- 01A3F23D
- 02A8E11D
- 01A3F236

- \*2--02A8E236
- 02A8C249
- \*5--02A8E24H
- 02A8D06C
- \*8--02A8E26N

- 02A8E09D
- 01A3E237
- 02A8E09K
- 01A3F23F
- 02A8E11F



\*1-02ABF248    \*2-02ABD23K    \*3-02ABF24J    \*4-02ABE03A    \*5-02ABE01F    \*6-01A2A160    \*7-01B2C01F    \*8-02ABD09F    \*9-01B0C01A

0724330

FIRST ADDRESS TRANSFER

1401RAM

75.01.10.2

↑U DELTA  
CYCLE  
75.01.03.2

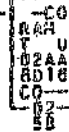
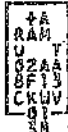
↑U TIME 000-030  
75.01.02.2

↑U FIRST ADDR  
XFER CYCLE  
75.01.06.2

↑U TIME 030-060  
75.01.02.2

↑U B CYCLE  
75.01.05.2

↑U TIME 060-090  
75.01.02.2

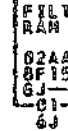
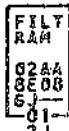


↑U A STAR RI  
FILE UNITS  
01-32.32.1V.2

↑U A STAR RI  
FILE UNITS  
02-32.32.1V.2

↑U A STAR RI  
FILE NUMBERS  
03-32.32.2V.2

↑U A STAR RI  
UNITS ZONE  
04-32.32.1V.2



\*1-02ABF24A-1  
\*3-02ABF24C-1

====02A9B10B  
====02A9C03B

====01A7B24K  
====01A7B24H

32-02ABF24B  
34-02ABF24E

====02A9C01B  
====02A9C01E

====01A7B24L  
====01A7B24I

COMMENTS

TAG DATE F.C.NO. TAG DATE F.C.NO. TAG DATE F.C.NO. TAG DATE F.C.NO.  
A 06-09-61 110324 B 06-01-61 110324 C 01-31-62 115851

A

B

C

D

E

F

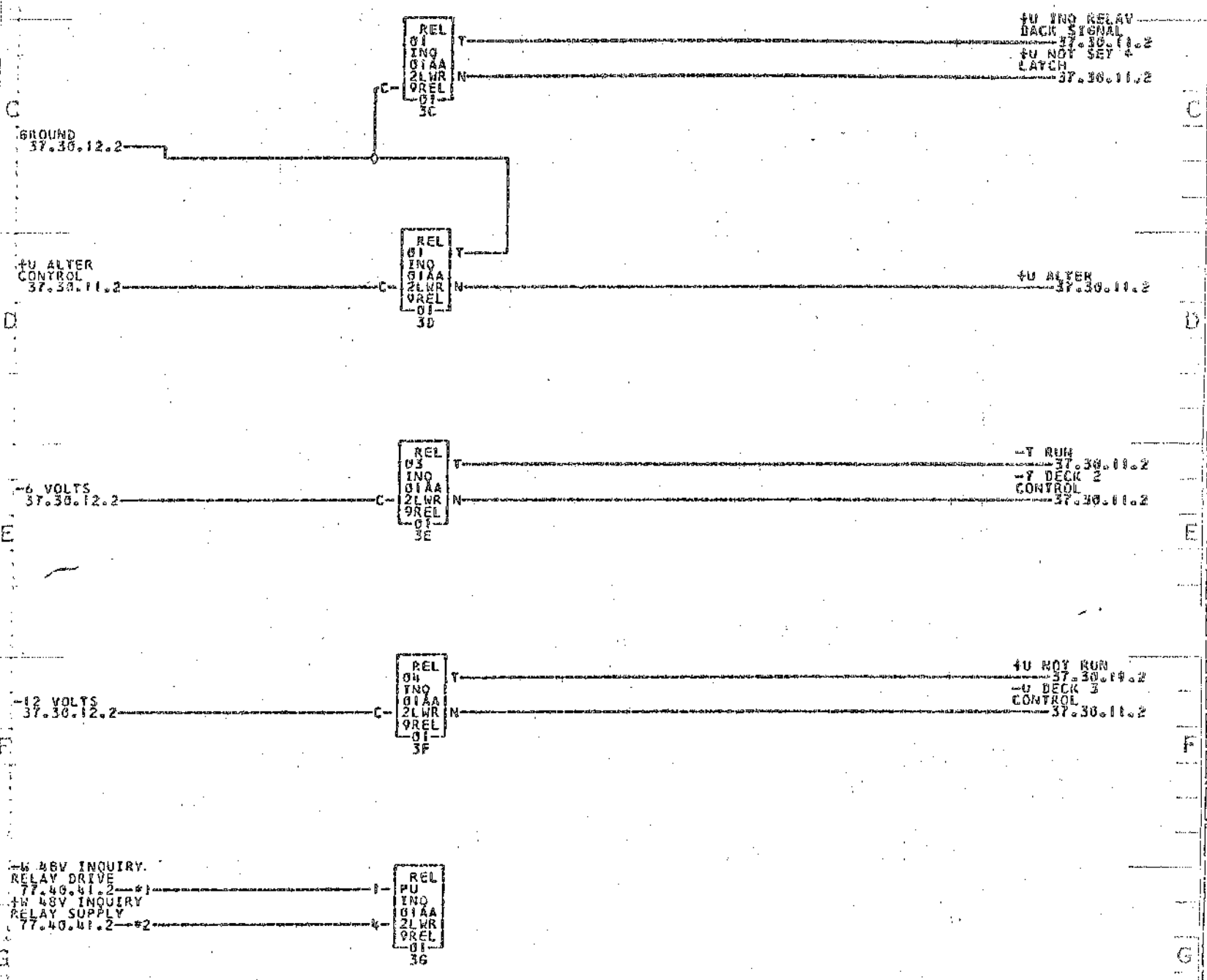
G

H

J

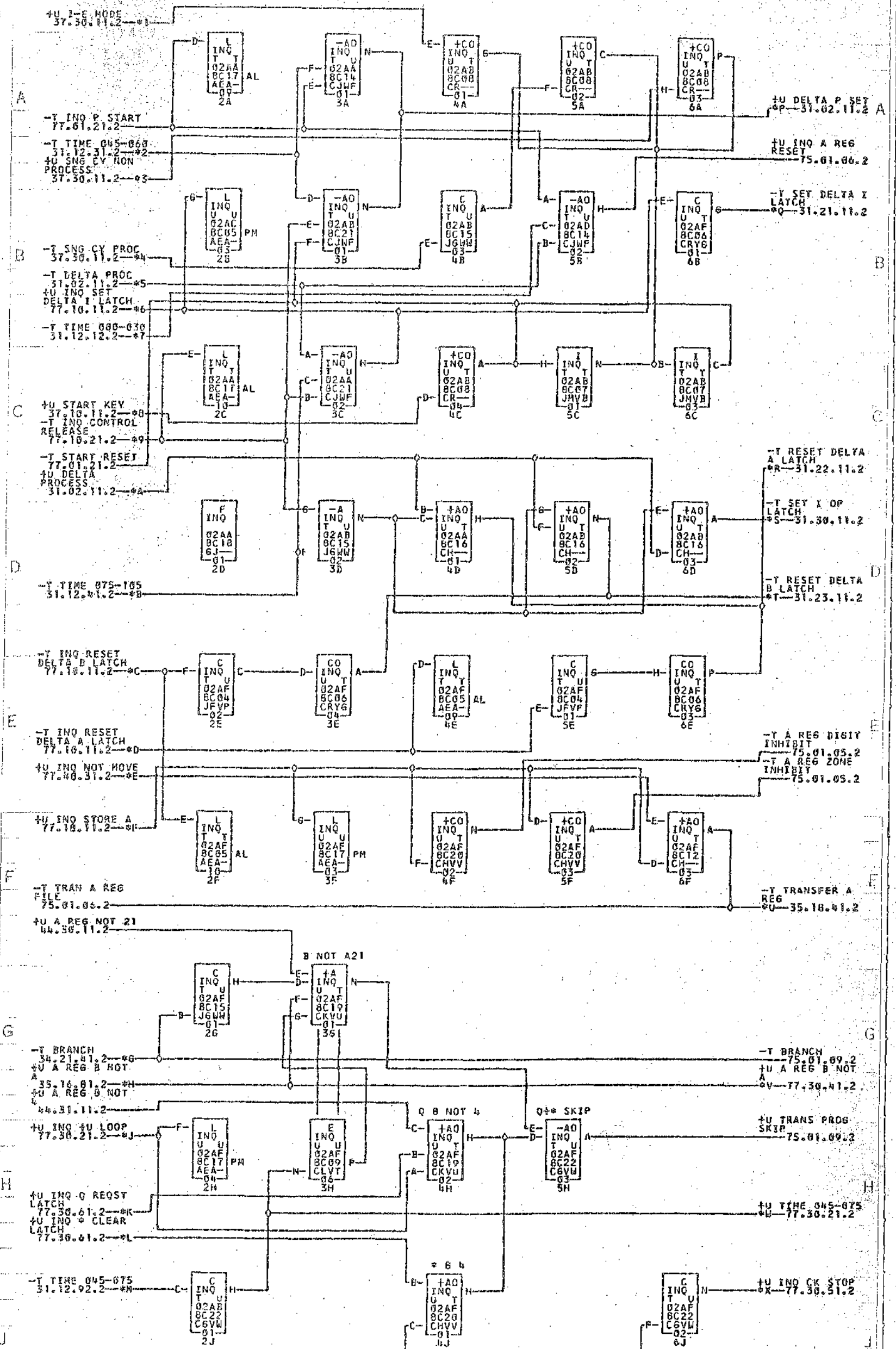
K

L



\*1---01B8A0BA      ---01A2A23H      \*2---01B8A0AS      ---01A2A23J

COMMENTS	TAG	DATE	E.C.NO.	TAG	DATE	E.C.NO.	TAG	DATE	E.C.NO.	TAG	DATE	E.C.NO.
	A	06-12-61	110320X									



- \*1—02ABC240
- \*2—02ABC23E
- \*3—02ABC24P
- \*4—02ABC24N
- \*5—02ABC23L
- \*6—02ABC24R
- \*7—02ABC23D
- \*8—02ABC25E
- \*9—01BBA00B
- \*10—02ABC26K
- \*11—01BBA03H
- \*12—02ABC23F
- \*13—01BBA00A
- \*14—02ABC25A
- \*15—01BBA00J
- \*16—02ABC26N
- \*17—01BBA00L
- \*18—02ABC25H
- \*19—02ABC26P
- \*20—01B2A02A
- \*21—02ABC23J
- \*22—02ABC25N
- \*23—01B2F05A
- \*24—02ABC23Q
- \*25—02ABC23N
- \*26—02ABC25C
- \*27—02ABC26Q
- \*28—02ABC25R
- \*29—02ABC25F
- \*30—02ABC26M
- \*31—02ABC25G
- \*32—02ABC26R
- \*33—02ABC25I
- \*34—02ABC26S
- \*35—01B2A02A
- \*36—02ABC25J
- \*37—02ABC26T
- \*38—02ABC25K
- \*39—02ABC26U
- \*40—02ABC25L
- \*41—01B2F05B
- \*42—02ABC23N
- \*43—02ABC25C

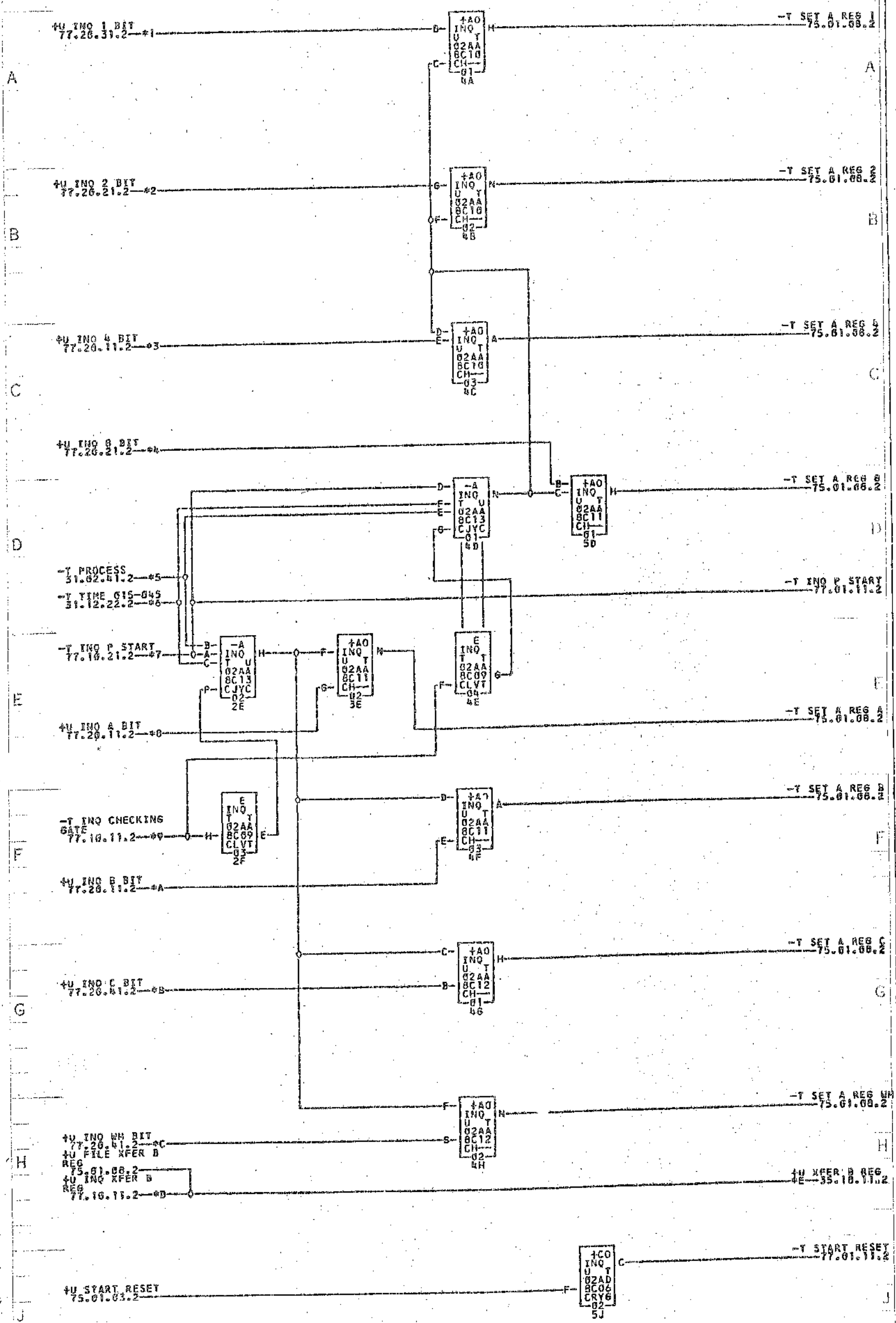
COMMENTS

TAG	DATE	E.C.NO.	TAG	DATE	E.C.NO.	TAG	DATE	E.C.NO.	TAG	DATE	E.C.NO.
A	06-09-61	110324	B	09-01-61	1103245	C	10-24-61	112245	D	12-06-61	113422
E	12-06-61	113526	F	03-02-62	114601						

0724532

INQUIRY ATTACHMENT--DATA CRTG

INQ11NQ 77.01.21.2



- \*1--01B8A80A
- \*2--01B8A80E
- \*3--01B8A80U
- \*4--01B8A80D
- \*5--01B8A80F
- \*6--01B8A80N
- \*7--01B8A80B
- \*8--01B8A80M
- \*9--01B8A80H
- \*A--01B8A80Y
- \*B--01B8A80P
- \*C--01B8A80E
- \*D--01B8A80J
- \*E--02A8C23F
- \*F--02A8C26A
- \*G--02A8C26D
- \*H--02A8C26E
- \*I--02A8C26F
- \*J--02A9F05B
- \*K--02A8C26B
- \*L--02A8C23B
- \*M--02A8C26J
- \*N--02A8C26H
- \*O--02A8C26C
- \*P--02A8C26I
- \*Q--02A8C26F
- \*R--02A8C25Q



# ENGINEERING SPECIFICATIONS

PL 8871 06-1-10-63

No. 880669

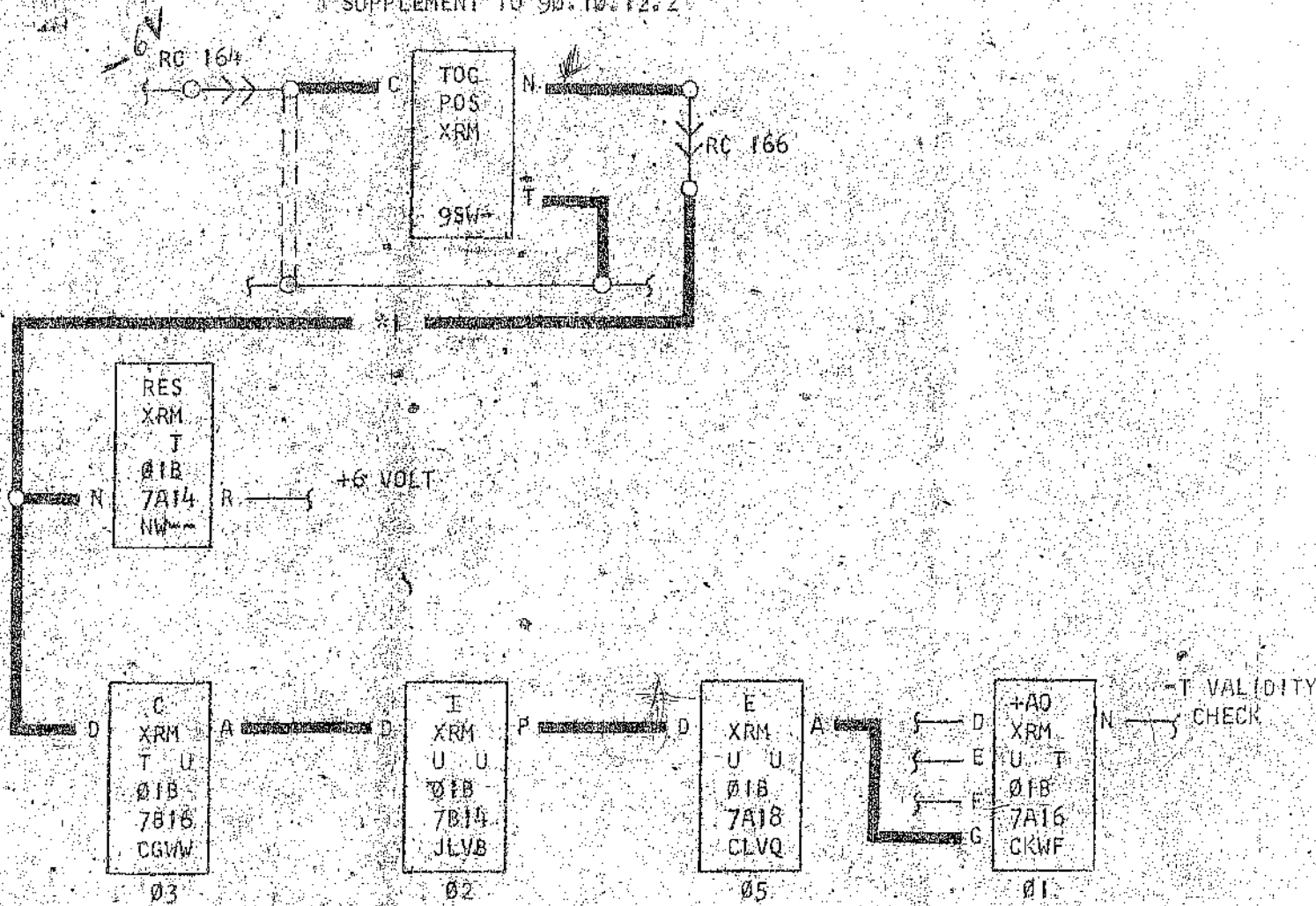
NAME	WHERE USED	TECH. SERVICES APPROVAL	MADE BY	APPR. BY	SHEET
					3

DATE	DATE PREPARED	OF
		3

## REFERENCE

FIG.	DRAWING

SUPPLEMENT TO 90.10.12.2

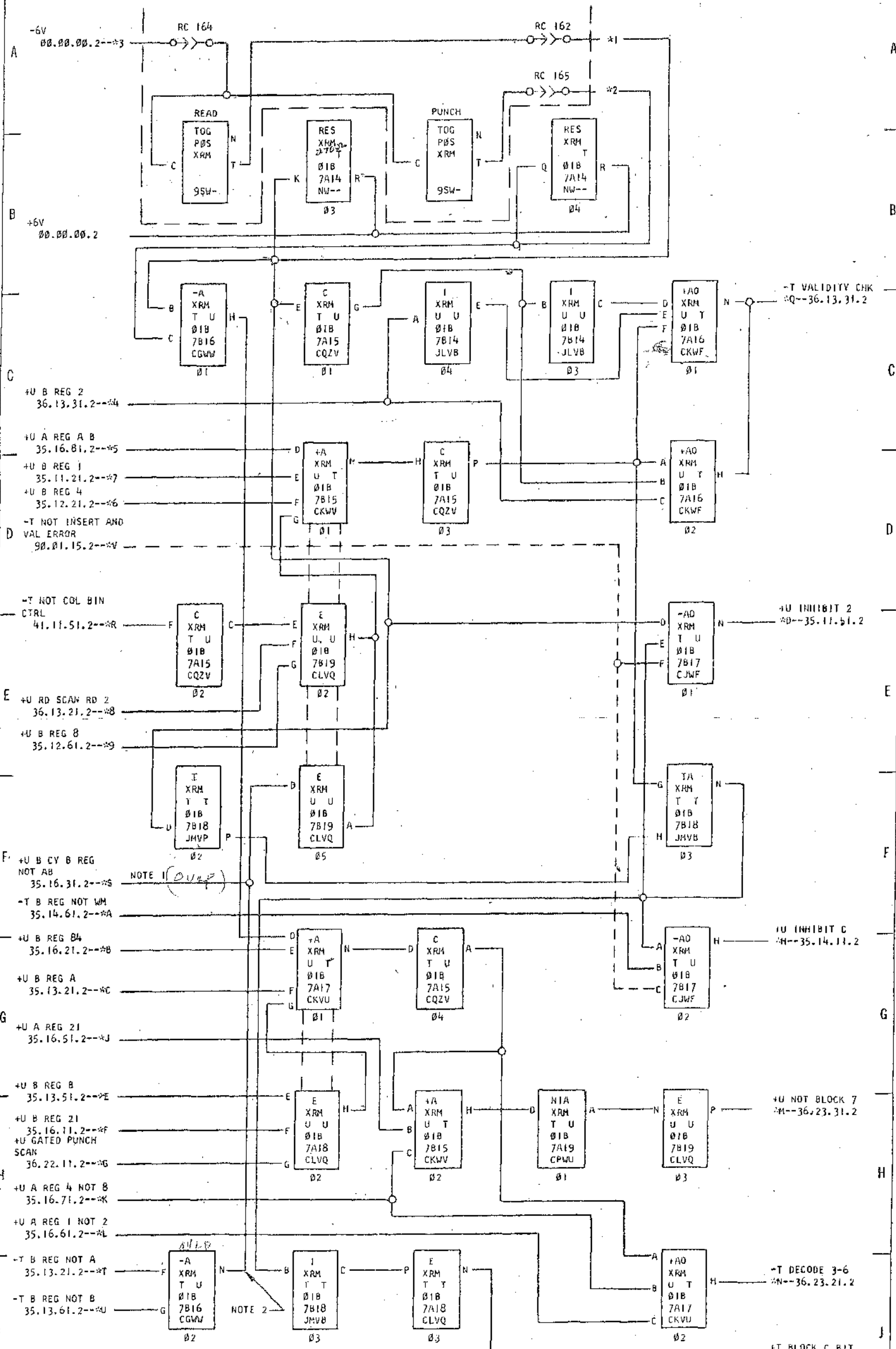


\*1--0184 G020

ENG.	DATE	CHANGE NO.	DATE TYPED
	11-17-62	192813	1-14-63 HAS



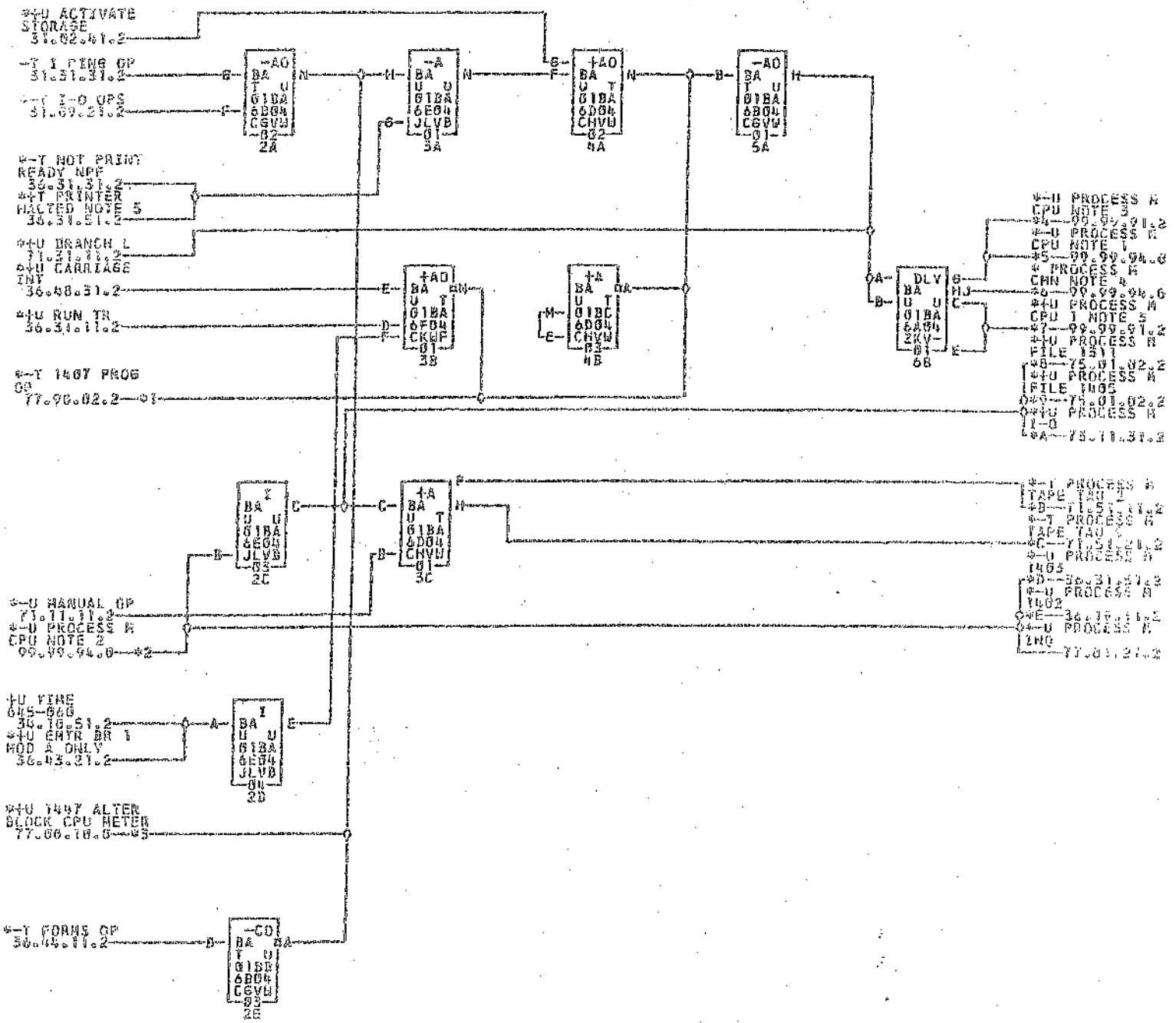
REFERENCE LOCATION ON 1402



- \*1--0107 E04A--0104 C02L
- \*2--0107 E04B--0104 C02P
- \*3--0104 C02N
- \*4--0107 E04D--0104 001K
- \*5--0107 B03G
- \*6--0107 A030
- \*7--0107 E04E--0104 001J
- \*8--0107 E04F--0104 001C
- \*9--0107 C03B
- \*A--0107 E04H--01A3 A26M
- \*B--0107 003K
- \*C--0107 E04J--01A3 F24E
- \*D--0107 E04G--01A3 D23E
- \*E--0107 E04M--01A3 B09H
- \*F--0107 003A
- \*G--0107 E04K--0104 F03P
- \*H--0107 E04L--01A3 D23G
- \*J--0107 003R
- \*K--0107 B03B
- \*L--0107 003P
- \*M--0107 C06P
- \*N--0107 C04N
- \*P--0107 E04N--01A3 E17G
- \*Q--0107 E04C--0104 E07N
- \*R--0107 D01H
- \*S--0107 E04P--01A3 E25H
- \*T--0107 003M
- \*U--0107 C03A
- \*V--0107 B17C--01A4 F05G

COMMENT:  
 \*USED IN 880156. FOR SYSTEMS WITH COLUMN BINARY FEATURE ADD:  
 D01M A15F, A15C 019E  
 FOR SYSTEMS WITH CHARACTER INSERT FEATURE ADD:  
 WIRING SHOWN DOTTED  
 NOTE 1: NOT WIRED FOR OVERLAP FEATURE.  
 NOTE 2: WIRING FOR OVERLAP FEATURE.

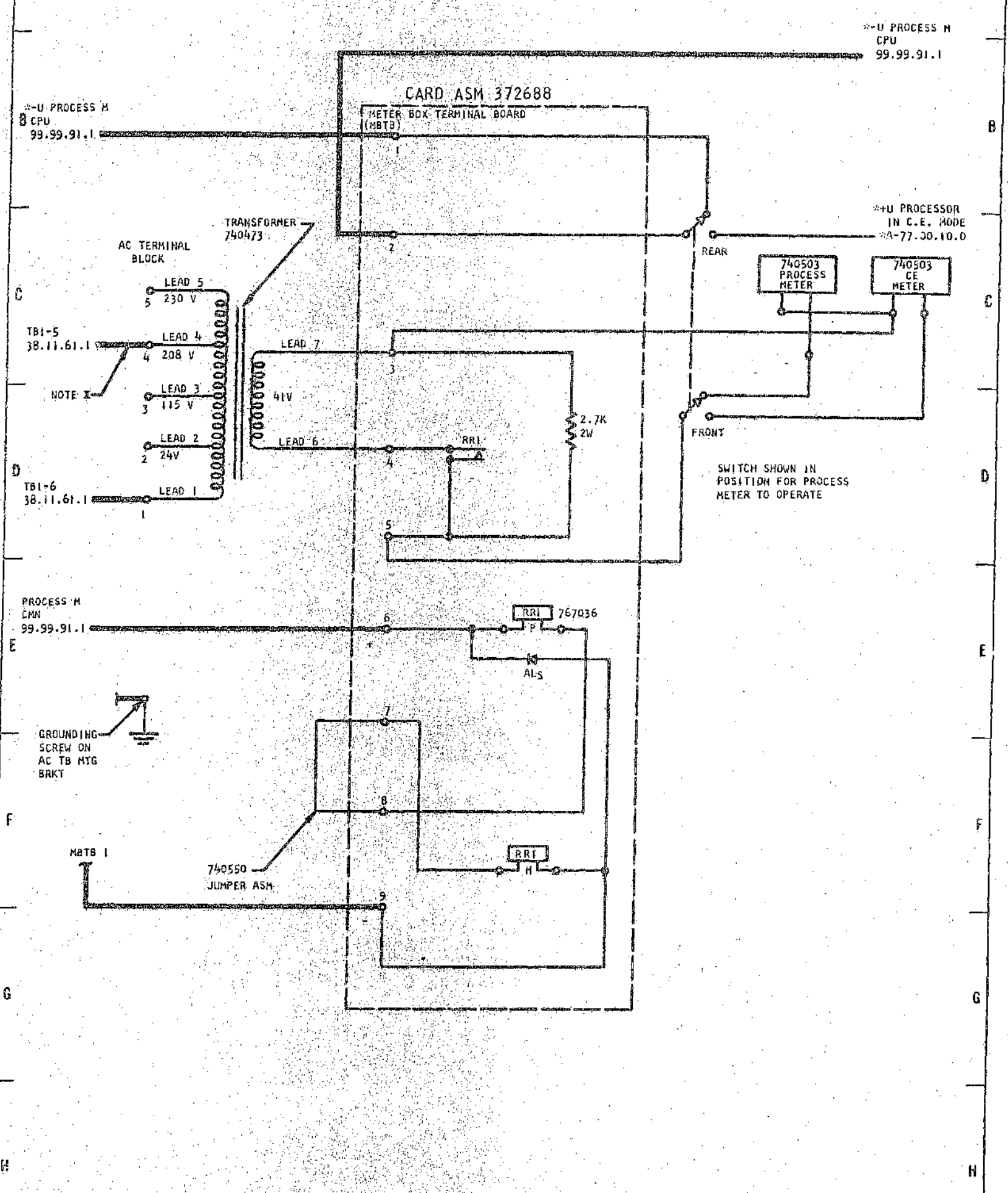
DATE	EC NO	DATE	EC NO	DATE	EC NO
5-25-61	199754	12-5-61	192407	12-29-61	192429
2-23-62	192537	7-11-62	192722	7-5-62	192719
11-17-62	192813	5-7-63	193075		



31-02-01-2	31-31-31-2	31-09-21-2	36-31-31-2	36-31-51-2	31-21-11-2	36-08-31-2	36-31-11-2	77-90-02-2	71-11-11-2	99-99-94-0	045-046	36-43-31-2	77-00-10-0	36-04-11-2	99-99-91-2	99-99-94-0	99-99-94-6	99-99-91-2	75-01-02-2	75-01-02-2	73-11-31-2	71-51-21-2	36-31-31-2	36-31-31-2	36-31-31-2	77-01-21-2		
01B8A010	01B8A046	01B8B000	02A8E18D	02A1B07A	01B8A004	01A8A16R	01B8A00C	01B8B002	01B8A006	01B8A00F	02A2C21F	01A8B002	01B8B004	01B8A04R	01B8A04J	01B8E00C	02A1A19A	01B8D01J	01B8B004	01B8B001	02A8E19D	01B8E04C	01B8B004	01B8A04R	01B8A04J	01B8E04C	01B8B004	01B8D01J

NOTE1 USED WHEN AUTO-RST IS NOT PRESENT  
 NOTE2 FROM METER TERMINAL 2 NBTB0002  
 NOTE3 USED FOR AUTO-RST FEATURE. NOTE 4  
 SINGLE-ARM JUMPER FOR AUTO-RST NOTES  
 SIS PRESENT ONLY ON 20,000 SERIES PE  
 MCHNE. SIG PRECV BY \*INB DIR CBL EXPAN.

TAG	DATE	E.C.NO.	TAG	DATE	E.C.NO.	TAG	DATE	E.C.NO.	TAG	DATE	E.C.NO.
A	09-11-65	118320B	B	10-11-65	118375P	C	12-02-63	118575X			



NOTE  
 I- CONNECT LEAD AS REQUIRED FOR SPECIFIC MACHINE VOLTAGE.

\*A-0188A0CH (1409)

DATE	EC NO	DATE	EC NO	DATE	EC NO
9-25-63	118320-E				

## INPUTS FROM TAPE UNIT (729)

	729 A2 AND A4	729 II AND IX	TAU LOGIC	TAPE CONNECTOR	
A	TU.08.10.1	01.02.2	B9.60.51.1	+P HIGH DENSITY 729	47
	TU.08.10.1	01.01.1	B9.60.01.1	+P SEL & READY MOD 2 729	31
	TU.08.10.1	01.01.1	B9.60.01.1	+P SEL & READY MOD 4 729	21
	TU.08.10.1	01.06.1	B9.60.02.1	+P SEL & LP 729	27
	TU.08.10.1	01.02.1	B9.60.10.1	+P SEL +RDY WR 729	35
	TU.08.10.1	01.02.1	B9.60.10.1	+P SEL RDY +RD 729	33
B	TU.08.10.1	01.06.1	B9.60.51.1	+P SEL + NOT LP 729	29
	TU.08.10.1	01.09.1	B9.60.51.1	-N SEL +REVIND 729	37
	TU.08.10.1	01.05.1	B9.60.51.1	-N SEL +TI ON 729	23
	TU.08.10.1	01.05.1	B9.60.51.1	-N SEL +TI OFF 729	25
	TU.07.00.0	01.03.1	B9.40.10.1	8VPP READ BUS 1 BIT 729	82
	TU.07.00.0	01.03.1	B9.40.10.1	8VPP READ BUS 2 BIT 729	84
C	TU.07.00.0	01.03.1	B9.40.10.1	8VPP READ BUS 4 BIT 729	93
	TU.07.00.0	01.03.1	B9.40.10.1	8VPP READ BUS 8 BIT 729	95
	TU.07.00.0	01.03.1	B9.40.10.1	8VPP READ BUS A BIT 729	102
	TU.07.00.0	01.03.1	B9.40.10.1	8VPP READ BUS B BIT 729	104
	TU.07.00.0	01.03.1	B9.40.10.1	8VPP READ BUS C BIT 729	113
	TU.08.10.1	01.04.1	B9.50.50.1	-N WRITE CMD 729	192
	TU.08.10.1	01.01.1	B9.50.01.1	+P MOD 5 OR 6	115

NOTE: INPUTS ALSO APPLY FOR MOD II AND VI TAPE UNITS.

DATE	EC NO	DATE	EC NO	DATE	EC NO
4-5-61	110432F	1-26-62	113835	11-2-62	116726

## INPUTS FROM TAPE DRIVE (7330)

	7330 LOGIC	TAU LOGIC		TAPE CONNECTOR	
A	73.00.30.0	89.40.10.1	BVVP READ BUS 1 BIT 7330	82	A
	73.00.30.0	89.40.10.1	BVVP READ BUS 2 BIT 7330	84	
	73.00.30.0	89.40.10.1	BVVP READ BUS 4 BIT 7330	93	
	73.00.30.0	89.40.10.1	BVVP READ BUS 8 BIT 7330	95	
	73.00.30.0	89.40.10.1	BVVP READ BUS A BIT 7330	102	
	73.00.30.0	89.40.10.1	BVVP READ BUS B BIT 7330	104	
B	73.00.30.0	89.40.10.1	BVVP READ BUS C BIT 7330	113	B
	73.00.30.0	89.50.50.1	-N ECHO PULSE 7330	192	
	73.00.30.0	89.60.01.1	-N SEL +RDY HI 7330	21	
	73.00.30.0	89.60.01.1	-N SEL +RDY LO 7330	31	
	73.00.30.0	89.60.51.1	-N SEL +TI ON 7330	23	
	73.00.30.0	89.60.02.1	-N SEL +LP 7330	27	
	73.00.30.0	89.60.51.1	-N SEL RDY BKWD 7330	29	
C	73.00.30.0	89.60.10.1	-N SEL +RDY RD 7330	33	C
	73.00.30.0	89.60.10.1	-N SEL +RDY WR 7330	35	
	73.00.30.0	89.60.51.1	-N SEL +REWIND 7330	37	

A

TAU LOGIC	729 LOGIC	TAPE CONNECTOR
B9.60.10.1 +P GO 729	01.07.1	5
B9.60.20.1 +P SET READ STATUS 729	01.02.1	13
B9.60.30.1 -N SET WR STATUS 729	01.02.1	11
B9.60.40.1 -N BACKWARD 729	01.07.1	7
B9.60.50.1 -N REWIND 729	01.09.1	9
B9.60.50.1 +P REWIND UNLOAD 729	01.09.1	39
B9.60.50.1 +P TURN OFF T1 729	01.05.1	3
B9.60.50.1 -N TURN ON T1 729	01.05.1	1
B9.20.30.1 -N WRITE PULSE 729	01.04.1	196
B9.60.31.1 -N RESET WR TR 729	01.04.1	194
B9.40.50.1 -N WRITE BUS 1 BIT 729	00.09.1	172
B9.40.50.1 -N WRITE BUS 2 BIT 729	00.09.1	174
B9.40.50.1 -N WRITE BUS 4 BIT 729	00.09.1	176
B9.40.51.1 -N WRITE BUS 8 BIT 729	00.09.1	178
B9.40.51.1 -N WRITE BUS A BIT 729	00.09.1	180
B9.40.51.1 -N WRITE BUS B BIT 729	00.09.1	182
B9.40.52.1 -N WRITE BUS C BIT 729	00.09.1	184

A

B

B

C

C

D

D

E

E

F

F

G

G

H

H

J

J

DATE	EC NO	DATE	EC NO	DATE	EC NO
4-5-61	110432F				

723459

REFERENCE PAGE  
 OUTPUTS TO TAPE DRIVE (7330)

OZAI MT

B9.02.26.0

A

TAU LOGIC	7330 LOGIC	TAPE CONNECTOR
B9.40.50.1 -N WRITE BUS 1 BIT 7330	73.00.20.0	172
B9.40.50.1 -N WRITE BUS 2 BIT 7330	73.00.20.0	174
B9.40.50.1 -N WRITE BUS 4 BIT 7330	73.00.20.0	176
B9.40.51.1 -N WRITE BUS 8 BIT 7330	73.00.20.0	178
B9.40.50.1 -N WRITE BUS A BIT 7330	73.00.20.0	180
B9.40.50.1 -N WRITE BUS B BIT 7330	73.00.20.0	182
B9.40.52.1 -N WRITE BUS C BIT 7330	73.00.20.0	184
B9.60.50.1 -N WRITE PULSE 7330	73.00.20.0	196
B9.60.20.1 -N SET READ STATUS 7330	73.00.20.0	13
B9.60.30.1 -N SET WRITE STATUS 7330	73.00.20.0	11
B9.60.40.1 -N BACKWARD 7330	73.00.20.0	7
B9.60.11.1 -N GO 7330	73.00.20.0	5
B9.60.31.1 -N WR TR REL 7330	73.00.20.0	194
B9.60.50.1 -N REWIND 7330	73.00.20.0	9
B9.60.50.1 -N REWIND UNLOAD 7330	73.00.20.0	39
B9.60.50.1 -N TURN ON TI 7330	73.00.20.0	1
B9.60.50.1 -N TURN OFF TI 7330	73.00.20.0	3

A

B

B

C

C

D

D

E

E

F

F

G

G

H

H

I

J

DATE	EC NO	DATE	EC NO	DATE	EC NO
4-5-61	110432F				



723460

REFERENCE PAGE  
OUTPUTS TO TAU

B9.02.30.0

	OZAI LOGIC	SIGNAL NAME	TAU LOGIC	
A	71.11.11.2	+Y DISC CALL	B9.60.31.1	A
	71.11.21.2	-Y REWIND CALL	B9.60.02.1	
	71.11.21.2	-Y ERASE CALL	B9.60.31.1	
	71.11.21.2	-Y BACKSPACE CALL	B9.60.40.1	
	71.11.21.2	-Y REWIND +UNLOAD CALL	B9.60.02.1	
	71.31.11.2	+Y MAN WR DISC	B9.60.31.1	
	71.31.11.2	+Y MAN WR DISC	B9.30.11.1	
B	71.51.21.2	+Y C BIT WRITE DATA LINE	B9.40.52.1	B
	71.51.21.2	+Y A BIT WRITE DATA LINE	B9.40.51.1	
	71.51.21.2	+Y B BIT WRITE DATA LINE	B9.40.51.1	
	71.51.21.2	+Y 8 BIT WRITE DATA LINE	B9.40.51.1	
	71.51.21.2	+Y 4 BIT WRITE DATA LINE	B9.40.50.1	
	71.51.21.2	+Y 2 BIT WRITE DATA LINE	B9.40.50.1	
	71.51.21.2	+Y 1 BIT WRITE DATA LINE	B9.40.50.1	
C	71.51.21.2	+Y TURN OFF TI	B9.60.50.1	C
	71.61.11.2	-Y READ CALL	B9.60.20.1	
	71.71.21.2	-S TAU RESET	B9.30.31.1	
	71.71.41.2	-Y EARLY SAMPLE	B9.50.51.1	
	71.71.41.2	-Y EARLY SAMPLE	B9.10.31.1	
	71.71.41.2	-Y MANUAL STOP ON ERROR	B9.50.30.1	
D	71.71.41.2	+Y MANUAL STOP ON ERROR	B9.50.52.1	D
	71.71.41.2	+Y AMPLIFIER BIAS	B9.40.10.1	
	71.71.41.2	+Y COMP CK CE	B9.50.30.1	
	71.71.41.2	+Y BACKWARD	B9.60.40.1	
	71.71.41.2	+Y REG A ONLY	B9.50.10.1	
	71.71.41.2	+Y REG B ONLY	B9.50.10.1	
	71.71.41.2	+Y TURN ON SO	B9.60.11.1	
	71.71.61.2	+Y MANUAL OP	B9.30.11.1	
E	71.71.61.2	-Y WR TH CALL	B9.60.31.1	E
	71.71.61.2	+Y WR CALL	B9.60.30.1	
	71.71.61.2	+Y ODD REDUNDANCY CALL	B9.40.61.1	
	71.61.21.2	+Y DENSITY SW 200 + 800	B9.20.11.1	
	71.61.21.2	+Y DENSITY SW 556 + 800	B9.20.11.1	
	71.61.21.2	+Y DENSITY SW 200 + 556	B9.20.11.1	
F	71.31.11.2	+Y SET TAU ERROR LATCH	B9.50.42.1	F

NOTE: A -T LINE IS A +Y LINE IN TAU.  
A +G LINE IS A +Y LINE IN TAU.

DATE	EC NO	DATE	EC NO	DATE	EC NO
4-5-61	110432 F	1-26-62	113835	4-10-62	114613
11-2-62	116726				

	TAU LOGIC	SIGNAL NAME	OZAI LOGIC	
A	89.30.52.1	+Y WD 52	71.31.11.2	A
	89.30.52.1	+Y WD 80	71.31.11.2	
	89.30.55.1	+Y WD 32D OR WD 1088	71.31.11.2	
	89.60.30.1	+Y WRITE COND	71.31.11.2	
	89.60.51.1	+Y SEL +T1 ON	71.31.11.2	
	89.50.50.1	-Y ERROR	71.31.11.2	
B	89.60.02.1	+Y BUSY	71.31.11.2	B
	89.30.56.1	+Y FWD STOP DELAY	71.31.11.2	
	89.20.30.1	-Y WC 2	71.31.21.2	
	89.10.31.1	-Y WR RC-5 OR RD RC 7	71.31.21.2	
	89.60.02.1	-Y LOAD POINT	71.31.21.2	
	89.40.52.1	+Y R-W REG C BIT	71.61.11.2	
	89.40.51.1	+Y R-W REG B BIT	71.61.11.2	
C	89.40.51.1	+Y R-W REG A BIT	71.61.11.2	C
	89.40.51.1	+Y R-W REG 8 BIT	71.61.11.2	
	89.40.50.1	+Y R-W REG 4 BIT	71.61.11.2	
	89.40.50.1	+Y R-W REG 2 BIT	71.61.11.2	
	89.40.50.1	+Y R-W REG 1 BIT	71.61.11.2	
	89.40.61.1	-Y CHECK CHAR	71.71.21.2	
	89.20.20.1	-Y WC 8 TR	71.71.41.2	
D	89.30.52.1	+Y WD 49	71.61.21.2	D
	89.20.10.1	-Y 729 HI DEN 800 OR 556 BPI	71.61.21.2	
	89.10.20.1	+Y RC 4 TR	71.61.21.2	
	89.10.10.1	+Y SEL +RDY HI 7330	71.61.21.2	
	89.60.31.1	+Y WRITE TM DRIVE	71.31.21.2	
	89.30.10.1	+Y END READ DELAY	71.61.21.2	
E	89.10.10.1	-Y SEL +RDY MOD 4	71.61.21.2	E

NOTE: A 'Y' LINE IS CONSIDERED  
A 'U' IN CTDL

DATE	EC NO	DATE	EC NO	DATE	EC NO
4-5-61	110432 F	1-26-62	113835	4-10-62	114613
11-2-62	116726				

(INDICATORS) \*

A  
B  
C  
D  
E  
F  
G  
H  
J

A  
B  
C  
D  
E  
F  
G  
H  
J

TAU LOGIC	NAME	#2AI LOGIC
89.30.40.1	DC 1 TR IND	71.81.11.2
89.30.40.1	DC 2 TR IND	71.81.11.2
89.30.40.1	DC 4 TR IND	71.81.11.2
89.30.41.1	DC 8 TR IND	71.81.11.2
89.30.42.1	DC 16 TR IND	71.81.11.2
89.30.42.1	DC 32 TR IND	71.81.11.2
89.30.42.1	DC 64 TR IND	71.81.11.2
89.30.42.1	DC 128 TR IND	71.81.11.2
89.30.43.1	DC 256 TR IND	71.81.11.2
89.30.43.1	DC 512 TR IND	71.81.11.2
89.30.43.1	DC 1024 TR IND	71.81.11.2
89.30.43.1	DC 2048 TR IND	71.81.11.2
89.10.20.1	RC 1 TR IND	71.81.12.2
89.10.20.1	RC 2 TR IND	71.81.12.2
89.10.20.1	RC 4 TR IND	71.81.12.2
89.10.20.1	RC 8 TR IND	71.81.12.2
89.20.20.1	WC 1 TR IND	71.81.12.2
89.20.20.1	WC 2 TR IND	71.81.12.2
89.20.20.1	WC 4 TR IND	71.81.12.2
89.20.20.1	WC 8 TR IND	71.81.12.2
89.40.52.1	R-W REG C BIT IND	71.81.11.2
89.40.51.1	R-W REG A BIT IND	71.81.11.2
89.40.51.1	R-W REG B BIT IND	71.81.11.2
89.40.51.1	R-W REG 8 BIT IND	71.81.11.2
89.40.50.1	R-W REG 4 BIT IND	71.81.11.2
89.40.50.1	R-W REG 2 BIT IND	71.81.11.2
89.40.50.1	R-W REG 1 BIT IND	71.81.11.2
89.40.23.1	A REG C BIT IND	71.81.11.2
89.40.22.1	A REG A BIT IND	71.81.11.2
89.40.22.1	A REG B BIT IND	71.81.11.2
89.40.21.1	A REG 8 BIT IND	71.81.11.2
89.40.21.1	A REG 4 BIT IND	71.81.11.2
89.40.20.1	A REG 2 BIT IND	71.81.11.2
89.40.20.1	A REG 1 BIT IND	71.81.11.2
89.40.20.1	B REG C BIT IND	71.81.11.2
89.40.22.1	B REG A BIT IND	71.81.11.2
89.40.22.1	B REG B BIT IND	71.81.11.2
89.40.21.1	B REG 8 BIT IND	71.81.11.2
89.40.21.1	B REG 4 BIT IND	71.81.11.2
89.40.20.1	B REG 2 BIT IND	71.81.11.2
89.40.20.1	B REG 1 BIT IND	71.81.11.2
89.50.50.1	ERROR LATCH IND	71.81.12.2
89.50.51.1	A REG VRC ERROR IND	71.81.12.2
89.50.50.1	R-W REG VRC ERR IND	71.81.12.2
89.50.30.1	COMPARE ERR IND	71.81.12.2
89.50.51.1	SKEW ERROR IND	71.81.12.2
89.50.50.1	ECHO ERROR IND	71.81.12.2
89.40.61.1	CHECK CHAR IND	71.81.12.2
89.40.61.1	ODD RED CALL IND	71.81.11.2
89.50.50.1	NO ECHO IND	71.81.11.2
89.60.02.1	LOAD POINT IND	71.81.11.2
89.60.02.1	REWIND IND	71.81.12.2
89.60.02.1	REWIND AND UNLOAD IND	71.81.12.2
89.60.11.1	GO IND	71.81.11.2
89.60.20.1	READ COND IND	71.81.12.2
89.60.20.1	READ ONLY IND	71.81.12.2
89.60.30.1	WR COND IND	71.81.12.2
89.60.31.1	WR TR REL IND	71.81.12.2
89.60.30.1	WRITE IND	71.81.12.2
89.60.31.1	DISC IND	71.81.12.2
89.60.31.1	WR TM IND	71.81.12.2
89.60.31.1	ERASE IND	71.81.12.2
89.60.40.1	BKSP IND	71.81.12.2
89.60.40.1	BACKWARD IND	71.81.12.2
89.30.10.1	RD IND	71.81.12.2
89.30.10.1	RDD IND	71.81.12.2
89.30.11.1	WDD IND	71.81.12.2
89.30.11.1	WRITE DELAY IND	71.81.12.2
89.30.56.1	FWD STOP DELAY IND	71.81.11.2
89.50.41.1	LR CR C BIT IND	71.81.11.2
89.50.41.1	LR CR A BIT IND	71.81.11.2
89.50.41.1	LR CR B BIT IND	71.81.11.2
89.50.40.1	LR CR 8 BIT IND	71.81.11.2
89.50.40.1	LR CR 4 BIT IND	71.81.11.2
89.50.40.1	LR CR 2 BIT IND	71.81.11.2
89.50.40.1	LR CR 1 BIT IND	71.81.11.2
89.40.60.1	FIRST CHAR IND	71.81.11.2

\* ALL INDICATOR SIGNALS ARE +S LINES

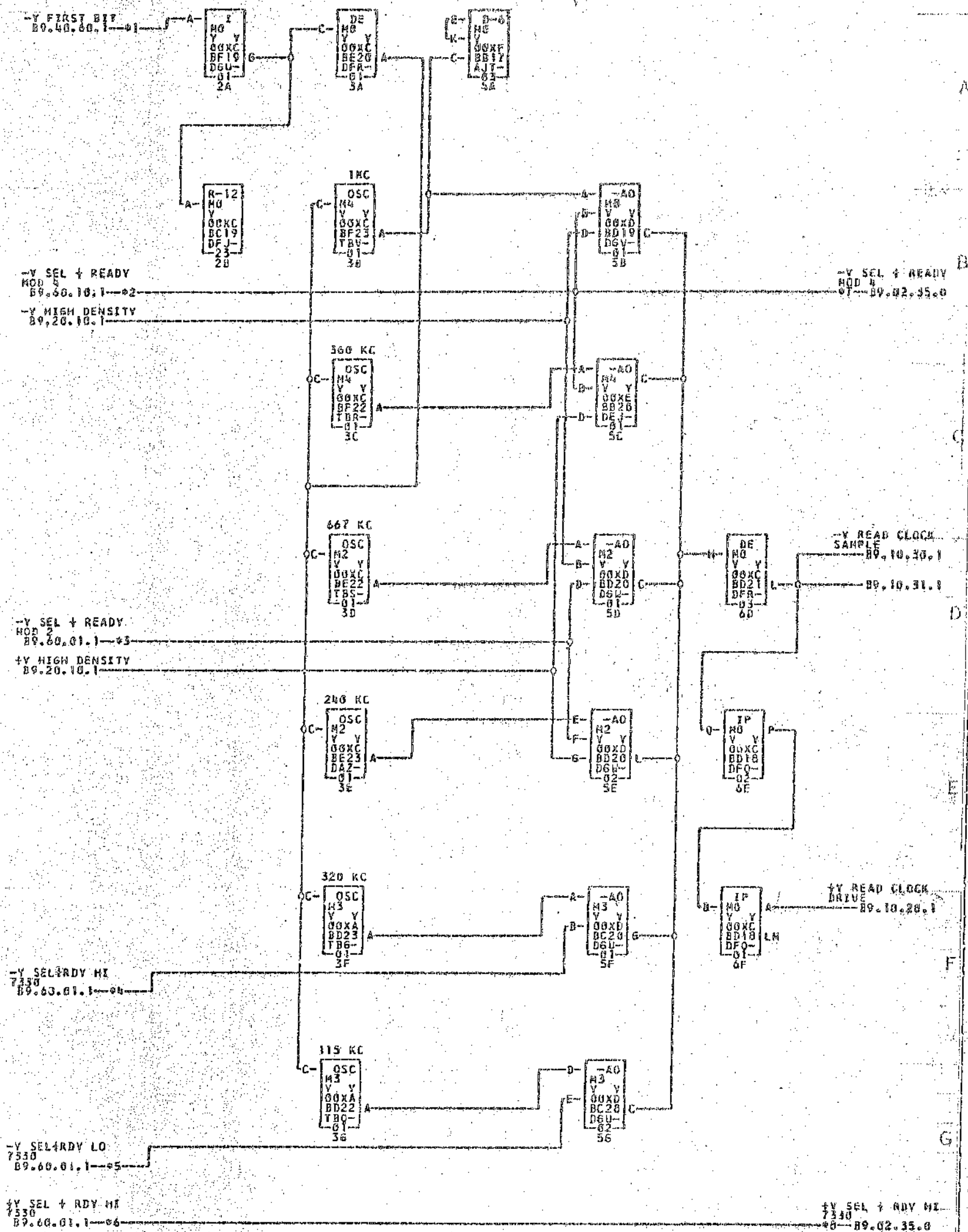
DATE	EC NO	DATE	EC NO	DATE	EC NO
4-5-61	110432 F				

6761226

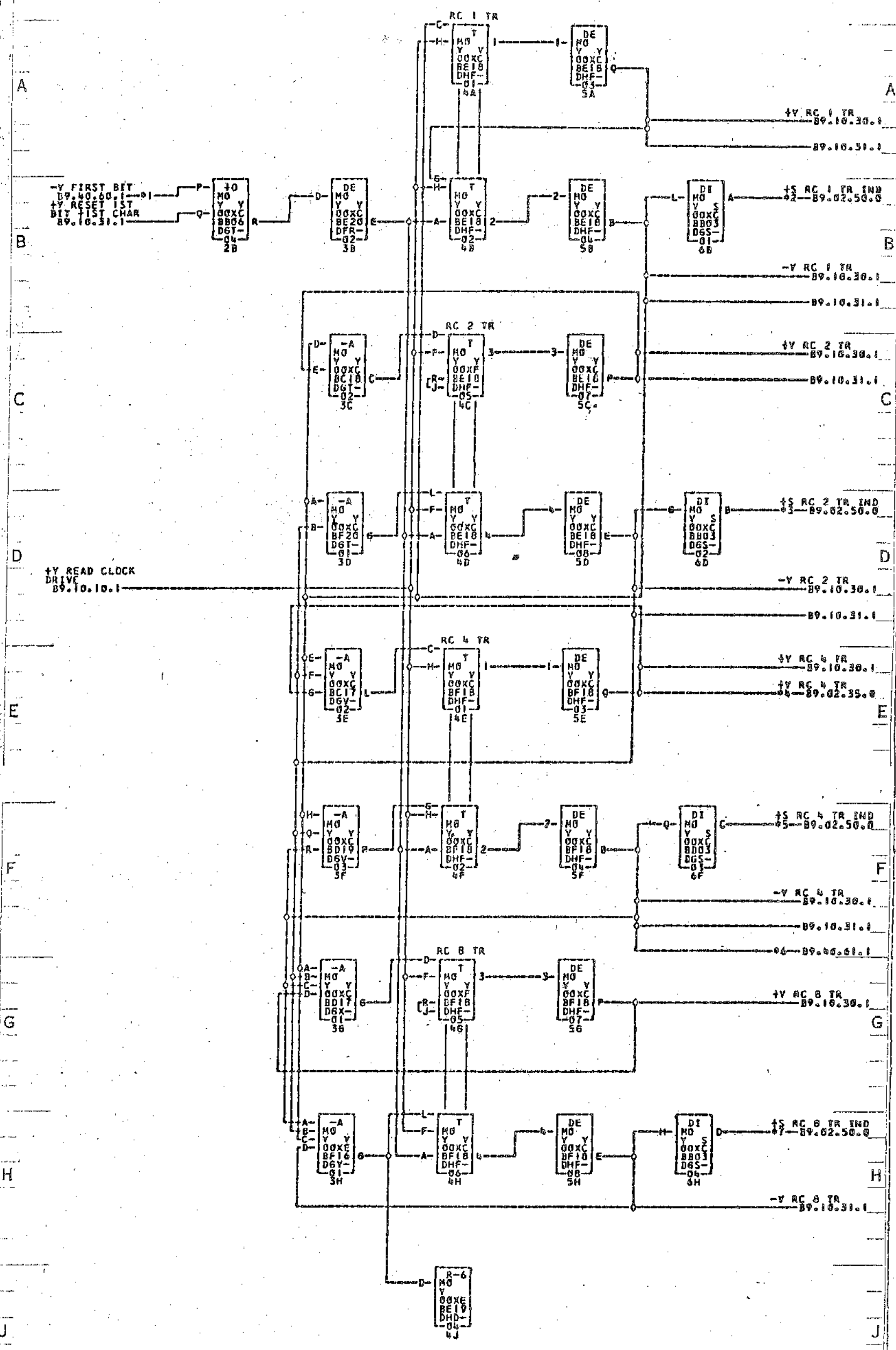
READ CLOCK DRIVE

TAU V

B9.10.10.1



- \*1--00XBEC2R      \*2--00XBAU1L      \*3--00XBA01K      \*4--00XBB01M      \*5--00XBB01G      \*6--00XBE01H
- \*7--00XBD02G      \*8--00XBD02H



- \*1--00XBED2R
- \*2--00XBA02A
- \*3--00XBA02B
- \*4--00XBD02R
- \*5--00XBA02C
- \*6--00XBE01H
- \*7--00XBA02D

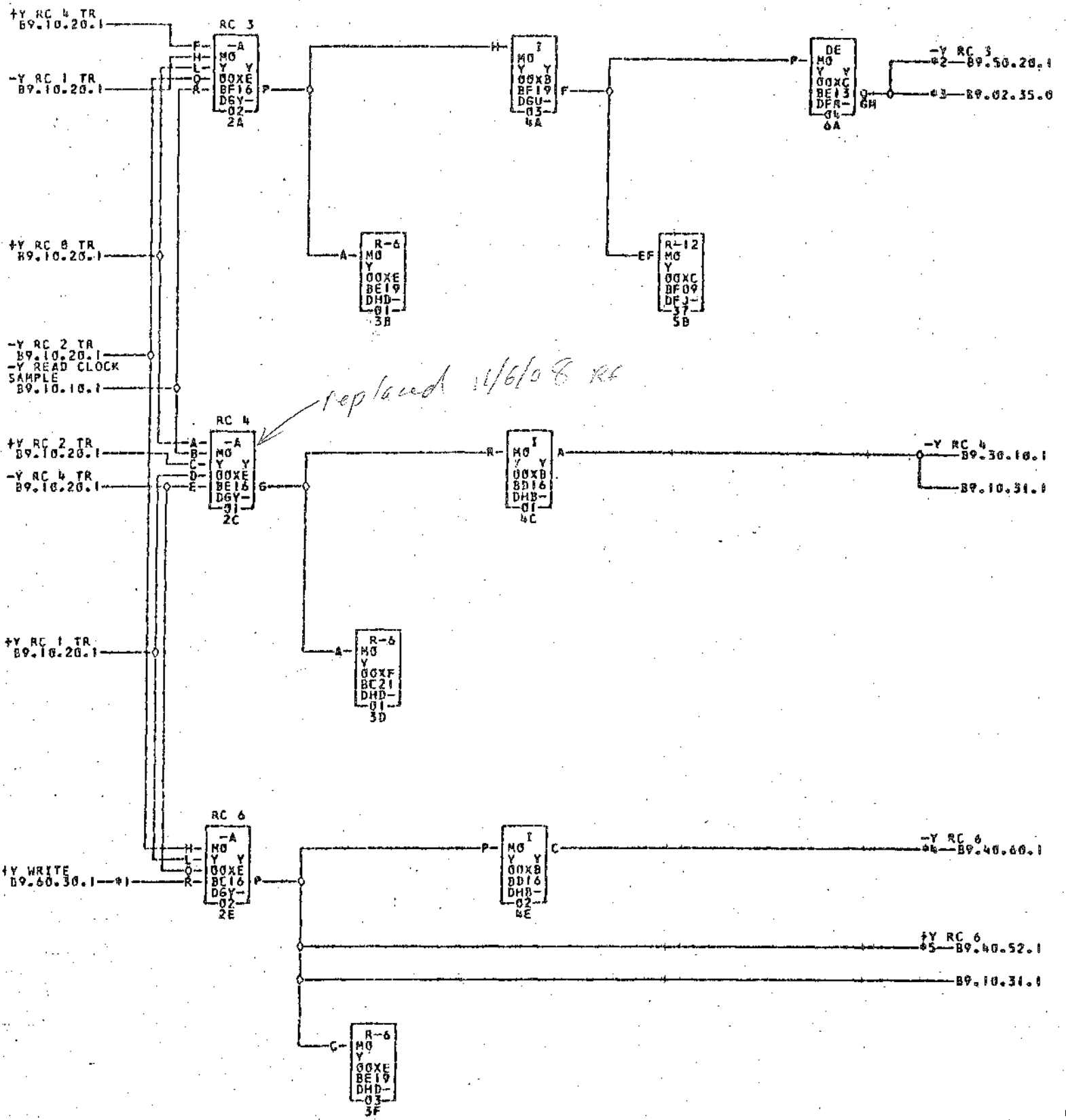
TAG	DATE	E.C.NO.	TAG	DATE	E.C.NO.	TAG	DATE	E.C.NO.	TAG	DATE	E.C.NO.
A	11-14-60	10935D	B	12-14-60	10935E	C	01-05-61	10936A	D	03-29-61	110435
E	05-09-61	110446	F	05-23-61	110447	G	06-16-61	110448			

0761220

READ CLOCK GATING

TAU 9

89.10.30.1



\*1--00XBADIF

\*2--00XBE02F

\*3--00XB002F

\*4--00XBE02K

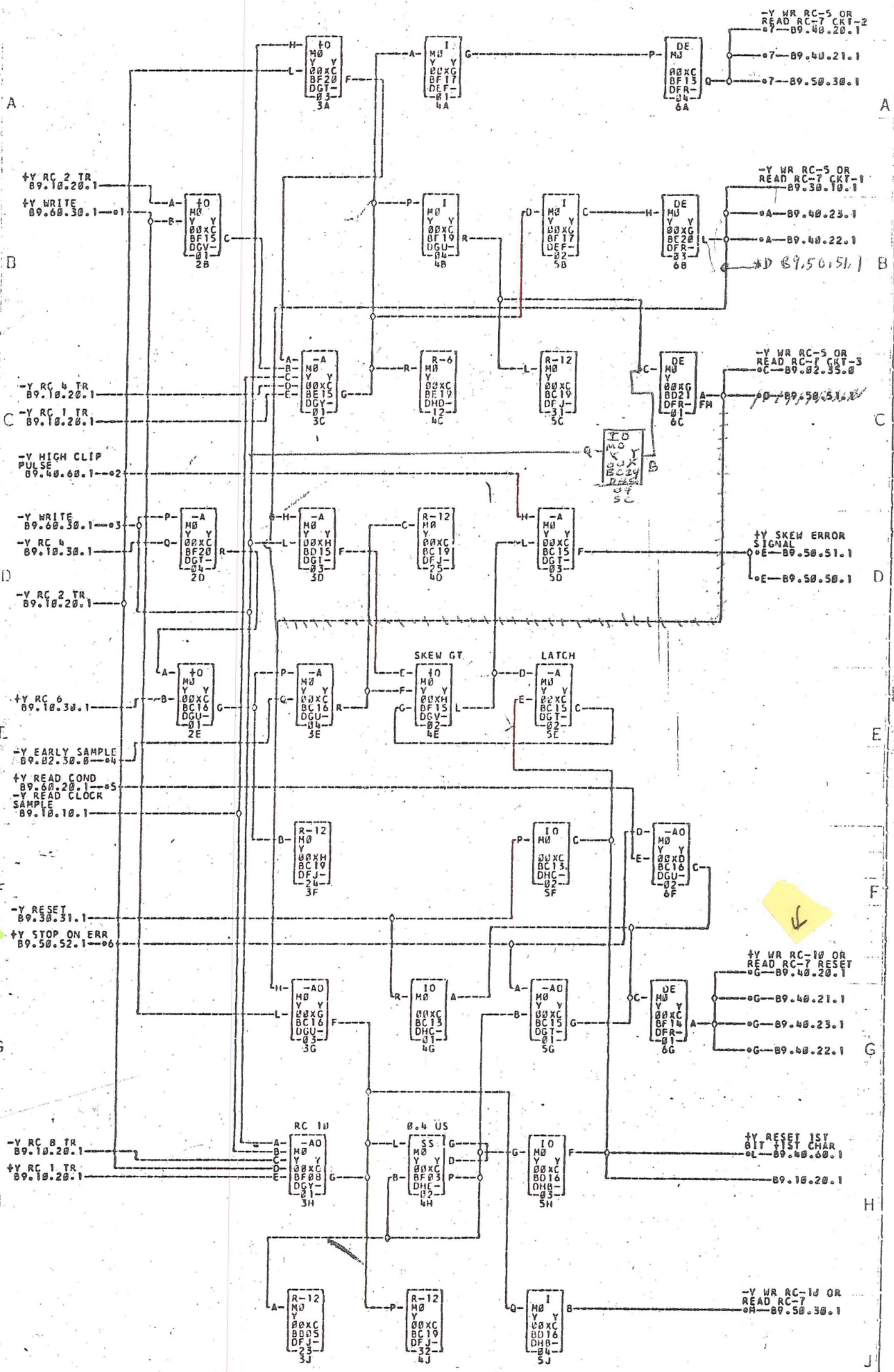
\*5--00XBE02N

00XB 02B3 1401  
00XB 1404 1410

COMMENTS

TA6	DATE	E.C.NO.	TA6	DATE	E.C.NO.	TA6	DATE	E.C.NO.	TA6	DATE	E.C.NO.
A	11-14-60	109350D	B	01-05-61	109364	C	01-20-61	109365	D	03-29-61	110435
E	05-09-61	110464	F	05-23-61	110467						



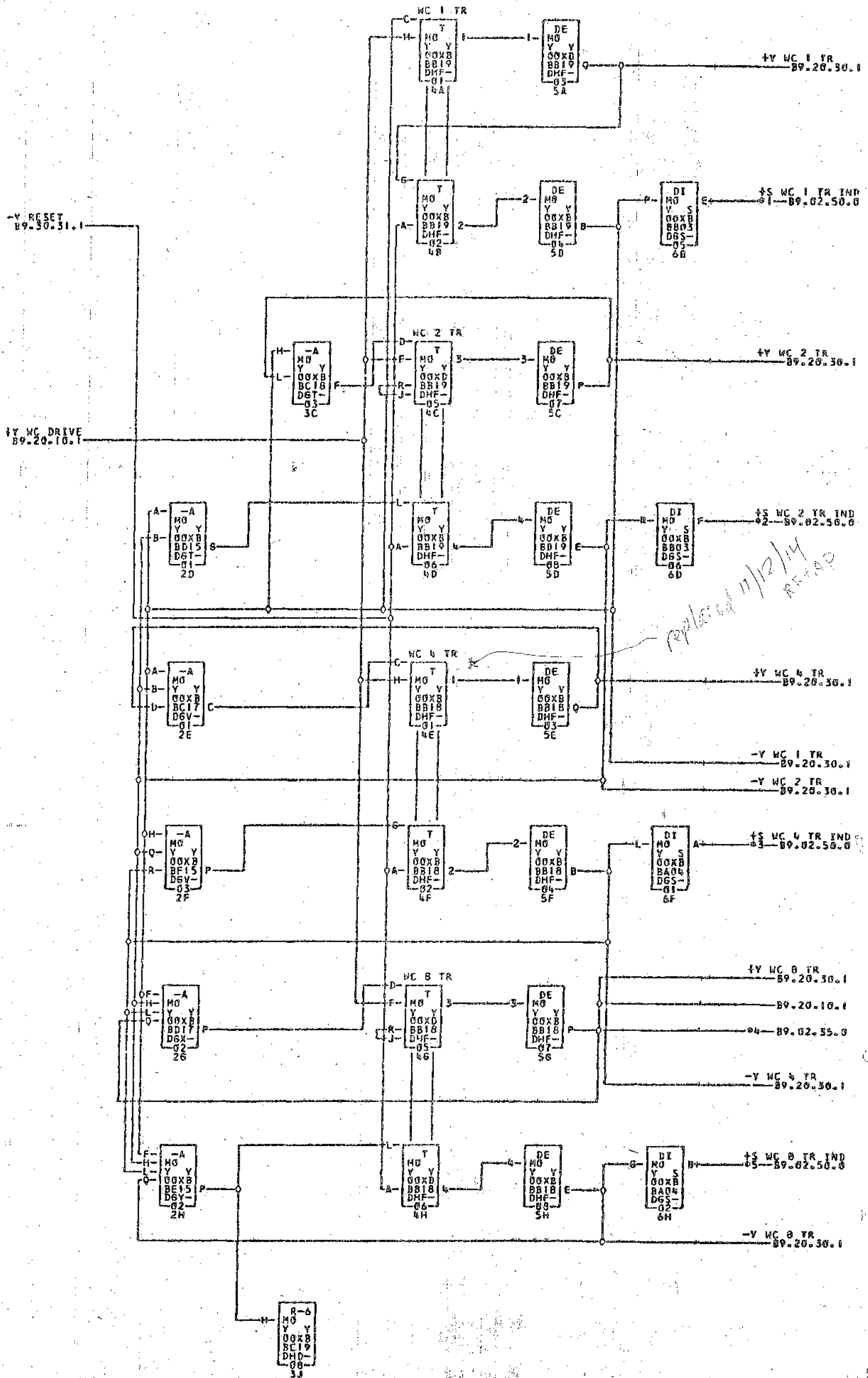


- 1--00XB01F      •2--00XB02A      •3--00XB01B      •4--00XB02G      •5--00XB01K      •6--00XB01R
- 7--00XB01C      •A--00XB02D      •C--00XB02E      •D--00XB01B      •E--00XB01C      •G--00XB02P
- L--00XB01B      •N--00XB01A

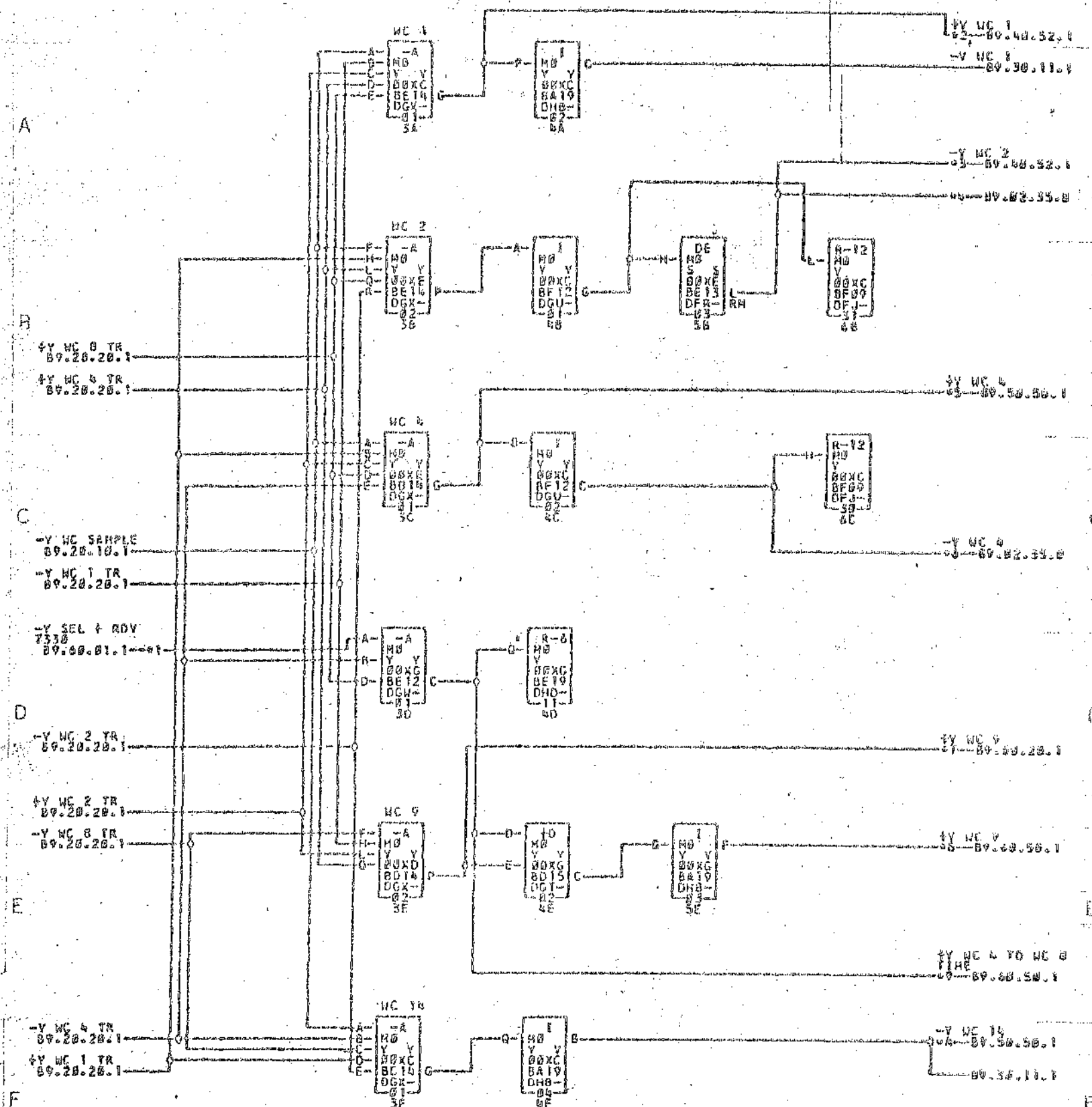
COMMENTS		TAG DATE E.C.NO.		TAG DATE E.C.NO.		TAG DATE E.C.NO.		TAG DATE E.C.NO.	
00XB 0283 1401		A 11-14-60	109350D	B 12-14-60	109355	C 01-05-61	109364	D 01-20-61	109385
00XB 1404 1410		E 02-13-61	109404	F 03-29-61	110435	G 04-11-61	110440	H 05-09-61	110444







- 1-00XBA02E
- 2-00XBA02F
- 3-00XBA026
- 4-00XBC02N
- 5-00XBA02H

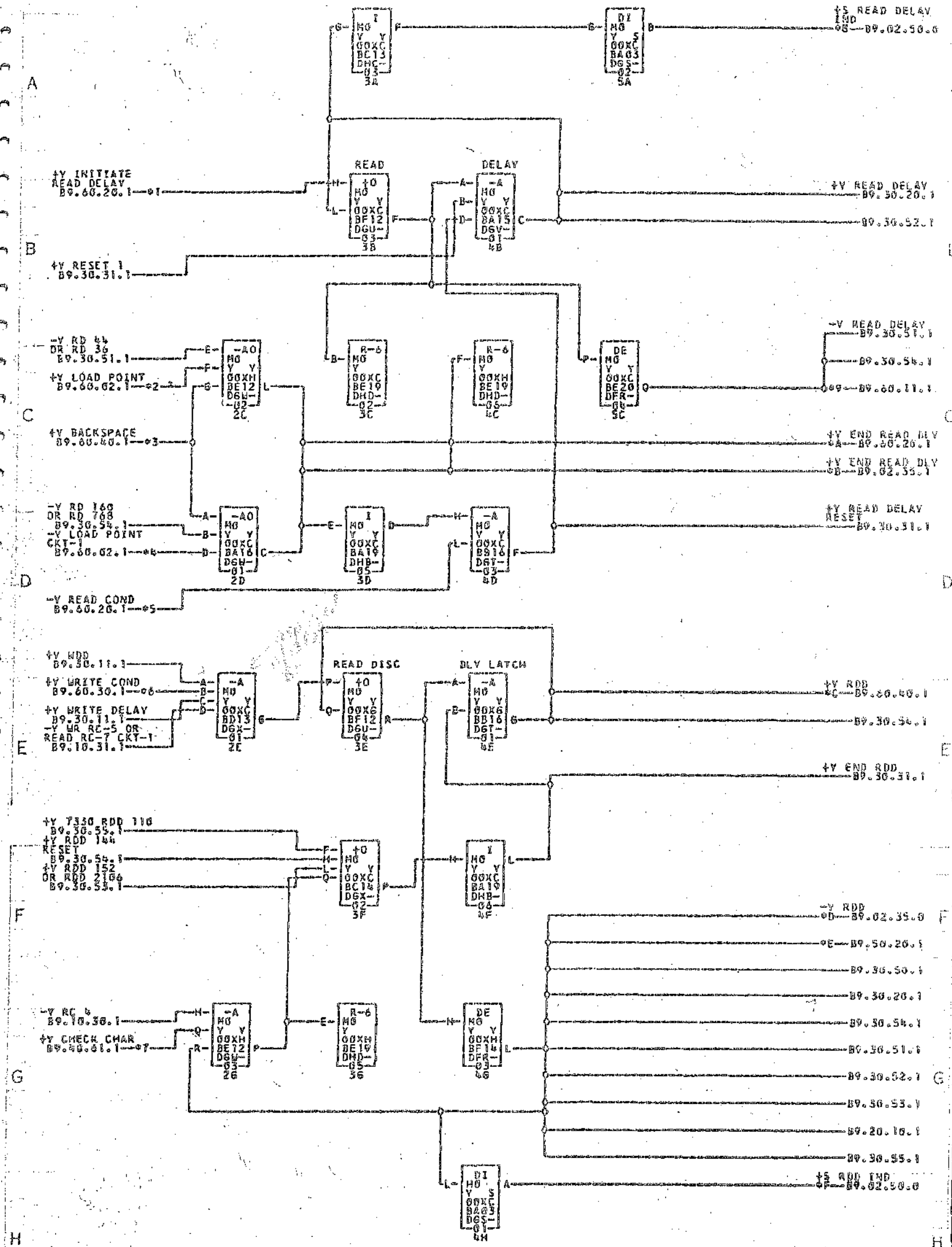


01--00X0001A    02--00X0002H    03--00X0003D    04--00X0004P    05--00X0005R    06--00X0006D  
 07--00X0007H    08--00X0008D    09--00X0009D    10--00X0010D    11--00X0011D    12--00X0012D

CORRECTIONS

TAG	DATE	F.C. NO.	TAG	DATE	F.C. NO.	TAG	DATE	F.C. NO.	TAG	DATE	F.C. NO.
A	11-16-60	109350D	B	12-14-60	109355D	C	01-05-61	109360D	D	01-28-61	109365D
E	03-29-61	110635D	F	05-11-61	110640D	G	05-09-61	110645D			

ITEM



- \*1--00XB401H      \*2--00XB401N      \*3--00XB401P      \*4--00XB401Q      \*5--00XB401A      \*6--00XB401E
- \*7--00XB401I      \*8--00XB401K      \*9--00XB401L      \*A--00XB401R      \*B--00XB401S      \*C--00XB401T
- \*D--00XB401U      \*E--00XB401V      \*F--00XB401W

TAG		DATE	E.C. NO.	TAG		DATE	E.C. NO.	TAG		DATE	E.C. NO.	TAG		DATE	E.C. NO.
A	11	12-60	109350P	F	12	14-60	109350S	C	01	05-61	109350A	D	01	20-61	109350S
E	02	13-61	109403	G	03	27-61	110623	G	04	11-61	110620	M	05	09-61	110620
J	05	23-61	110607	K	05	18-61	110648	L	06	05-61	112226				

0761234

WRITE DELAY CONTROL

TAU 9

09.30.11.1

A

B

C

D

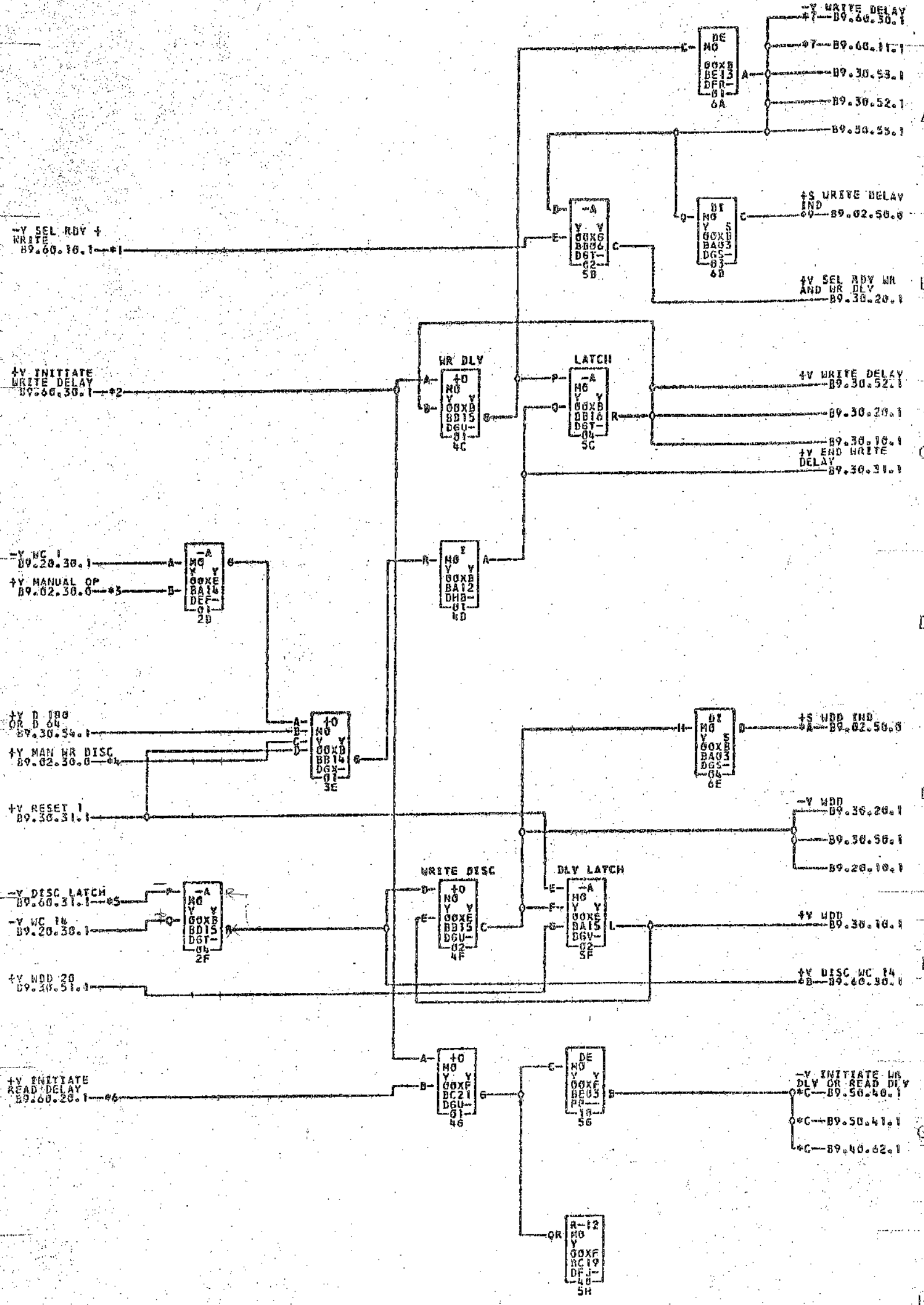
E

F

G

H

J



- \*1--00XBB016
- \*2--00XBB01F
- \*3--00XBC024
- \*4--00XBC021
- \*5--00XBB01A
- \*6--00XBA01M
- \*7--00XBD016
- \*8--00XBB02K
- \*9--00XBB02N
- \*A--00XBA02N
- \*B--00XBB01N
- \*C--00XBD01H

0761235

DELAY COUNTER DRIVE

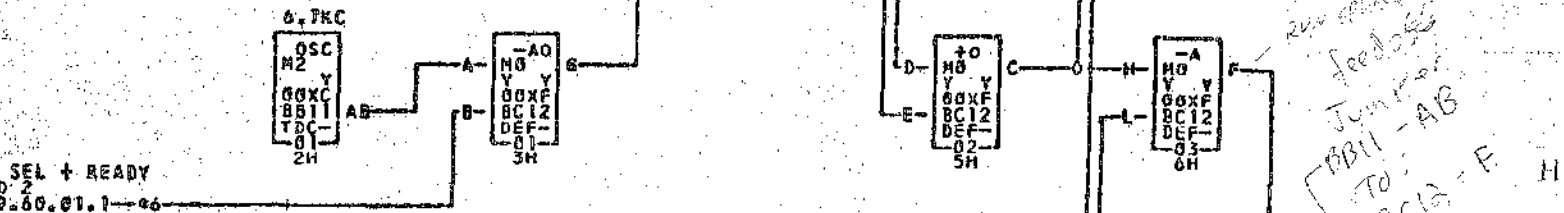
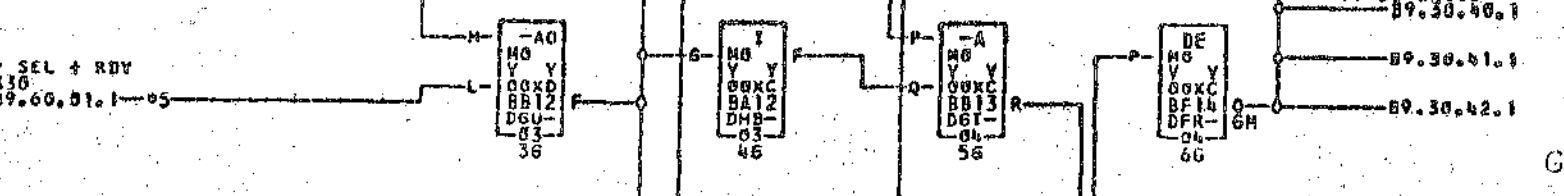
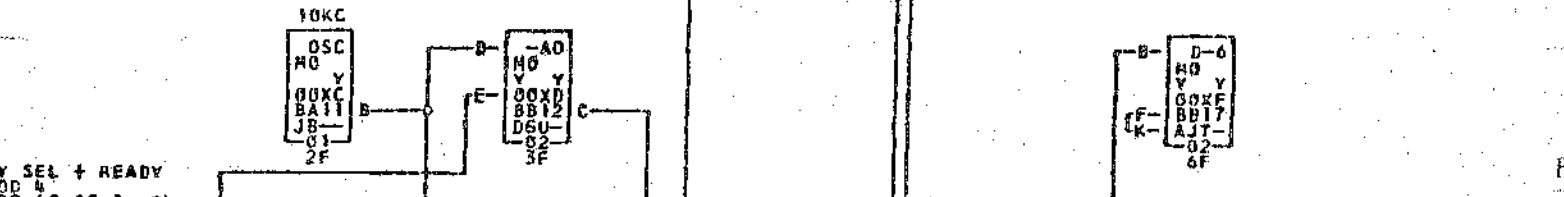
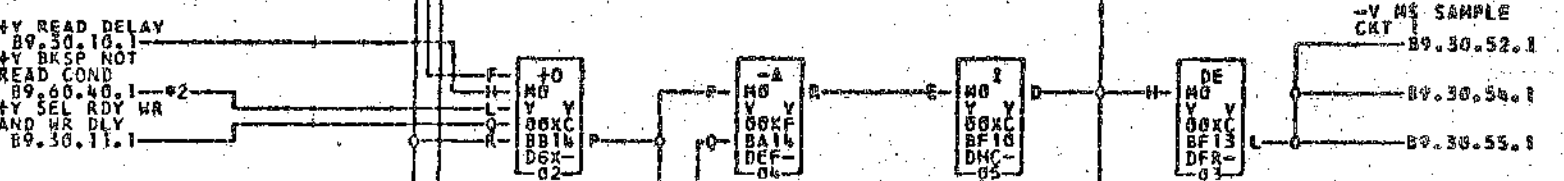
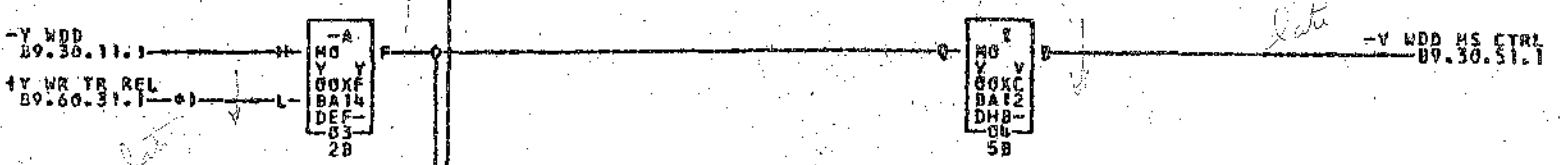
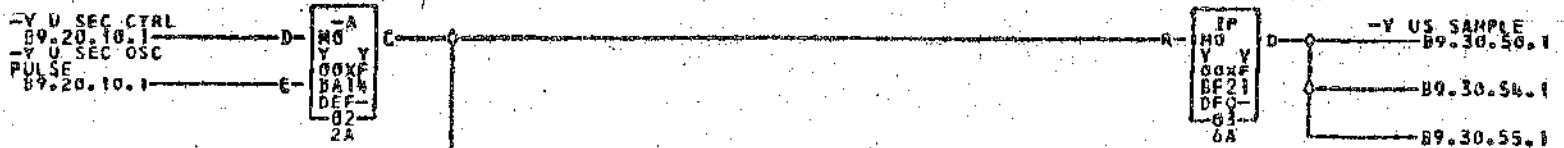
TAU 9

B9.30.20.1

0701235

replaced 9/25/68 RF

B9.30.20.1



- \*1-60XB001B
- \*2-60XB001C
- \*3-60XB001C
- \*4-60XB001L
- \*5-60XB001A
- \*6-60XB001K

60XB 02B3 1401  
60XB 1404 1410

COMMENTS

TAG	DATE	E.C.NO.	TAG	DATE	E.C.NO.	TAG	DATE	E.C.NO.	TAG	DATE	E.C.NO.
A	11-10-60	109350D	F	12-14-60	109355	G	01-05-61	109364	D	01-20-61	109385
E	02-13-61	109404	R	06-11-61	110463	S	05-09-61	110464	N	06-14-61	110468
J	10-12-61	112228									

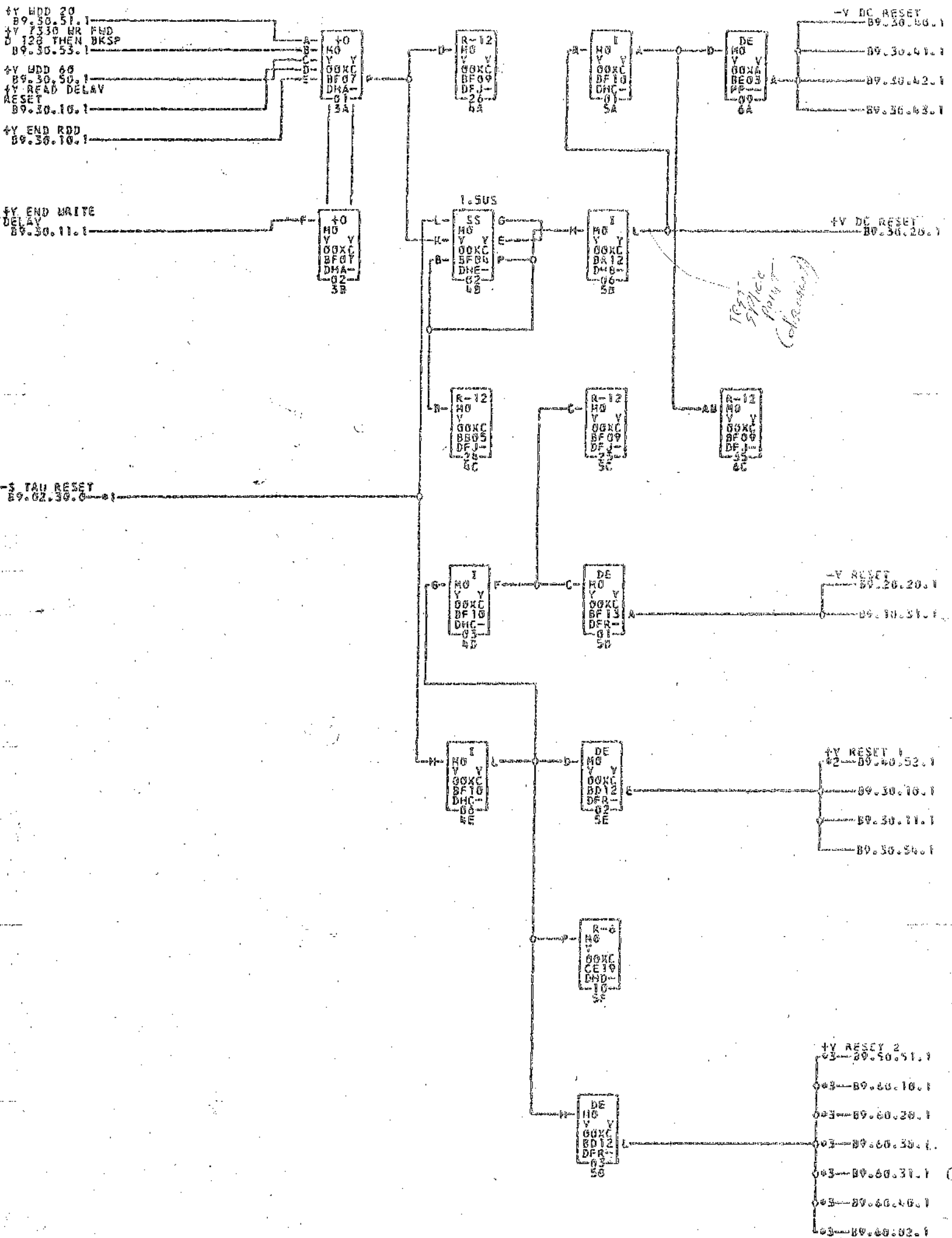
see schematic  
feed  
Jun 1961  
TO: - AB  
↳ BC12 - F

0761236

DELAY COUNTER RESET TRIGGER RESET

TAU 9

B9.30.31.1



\*1--00XBC02F \*2--00KBE02B \*3--00XBC01P

90XB 02B3 1801  
90XB 1805 1810

COMMENTS

TAG	DATE	F.C.NO.	TAG	DATE	F.C.NO.	TAG	DATE	F.C.NO.	TAG	DATE	F.C.NO.
A	11-18-64	109330D	B	12-15-64	109335	C	01-03-65	109345	D	01-29-65	110635
E	05-11-67	110620	F	05-04-67	110650	G	08-08-67	112323			

TYPE  
316



NAME

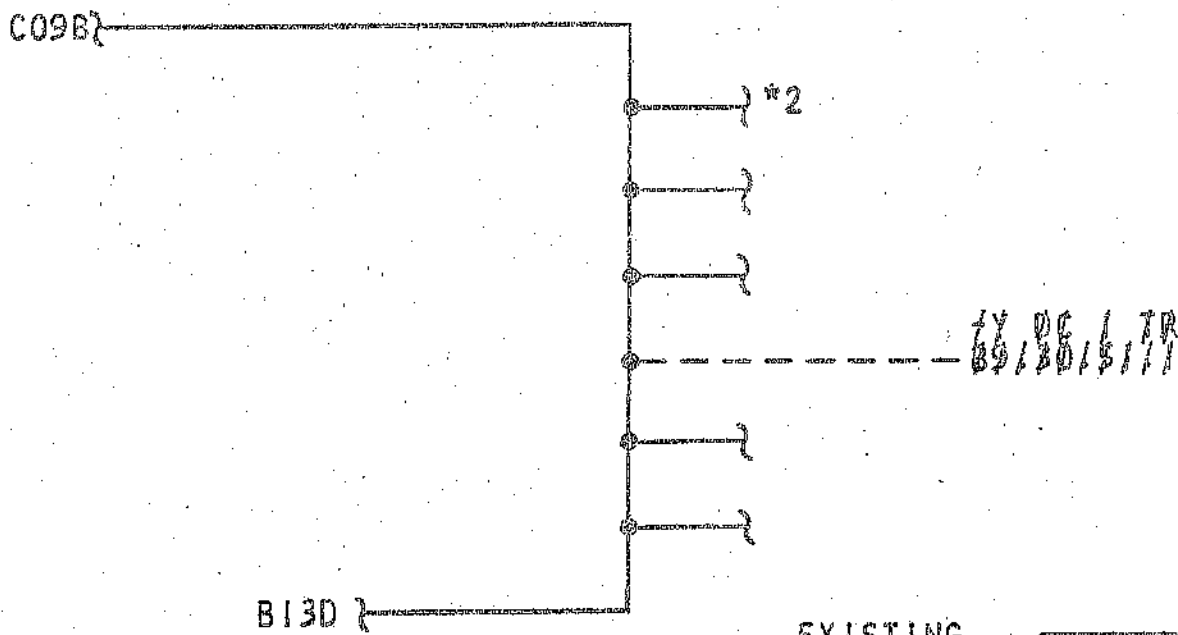
INSURE FULL ERASE OF PREVIOUS RECORD

SHEET 6 OF 13

REFERENCE	Cl.
Existing	Plg. Cst.

8.2 LOGIC DIAGRAMS:

8.2.1 ALTER LOGIC B9.30.40.1 (761237), GATE 00XB AS FOLLOWS:



\*2-00XB D01D

EXISTING \_\_\_\_\_  
REMOVED - - - - -

NO. CHANGE	DATE	NO.	DATE	NO.	DATE TYPED
	10-24-62	115300D	1-23-63	116781	
			2-26-64	114094	

0761237

DELAY COUNTER

YAO V

89.30.40.1

A

B

C

D

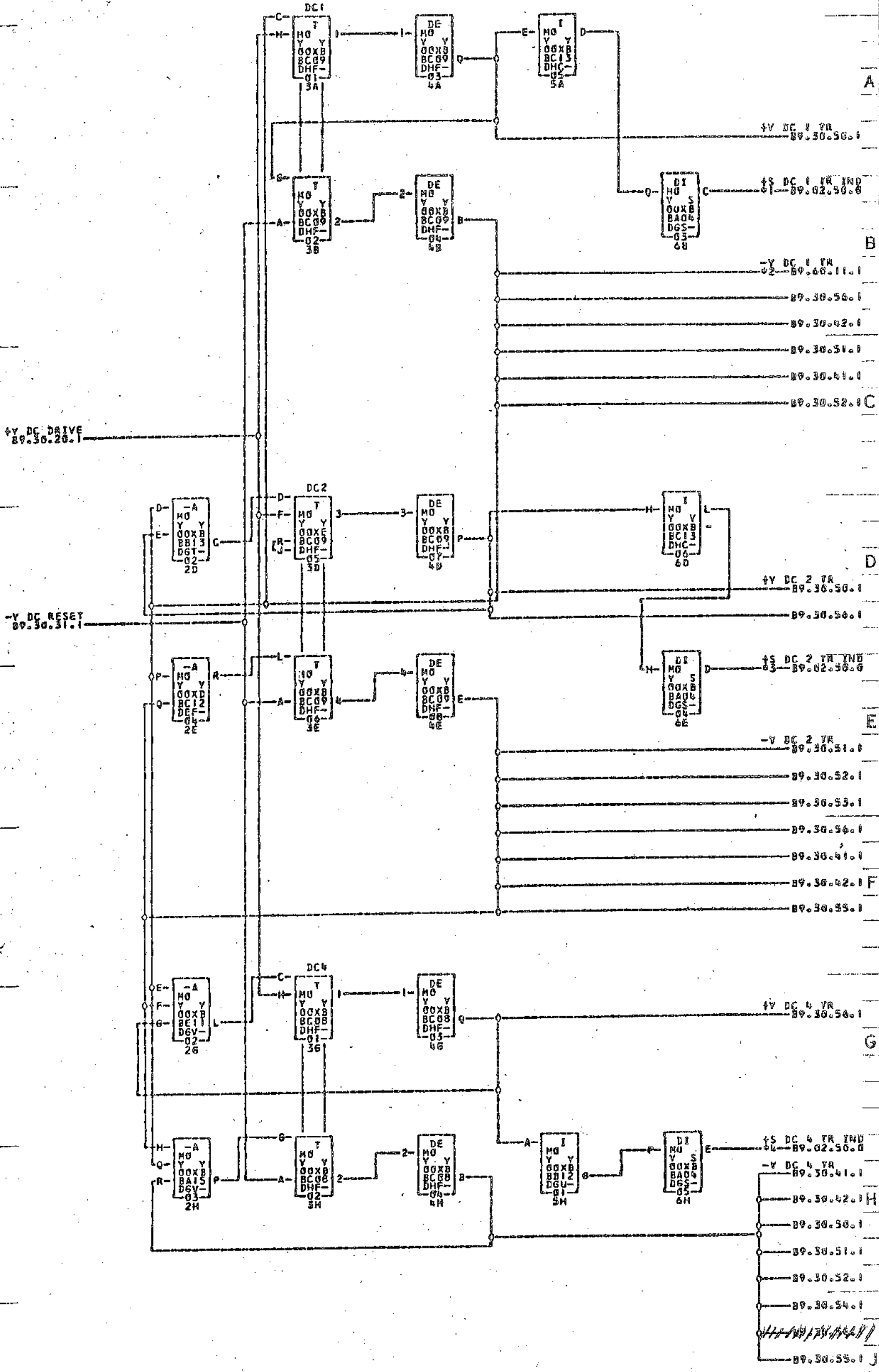
E

F

G

H

J



#1--00XB02N    #2--00XB001D    #3--00XB02P    #4--00XB02Q

00XB 0283 1501  
00XB 1056 1010

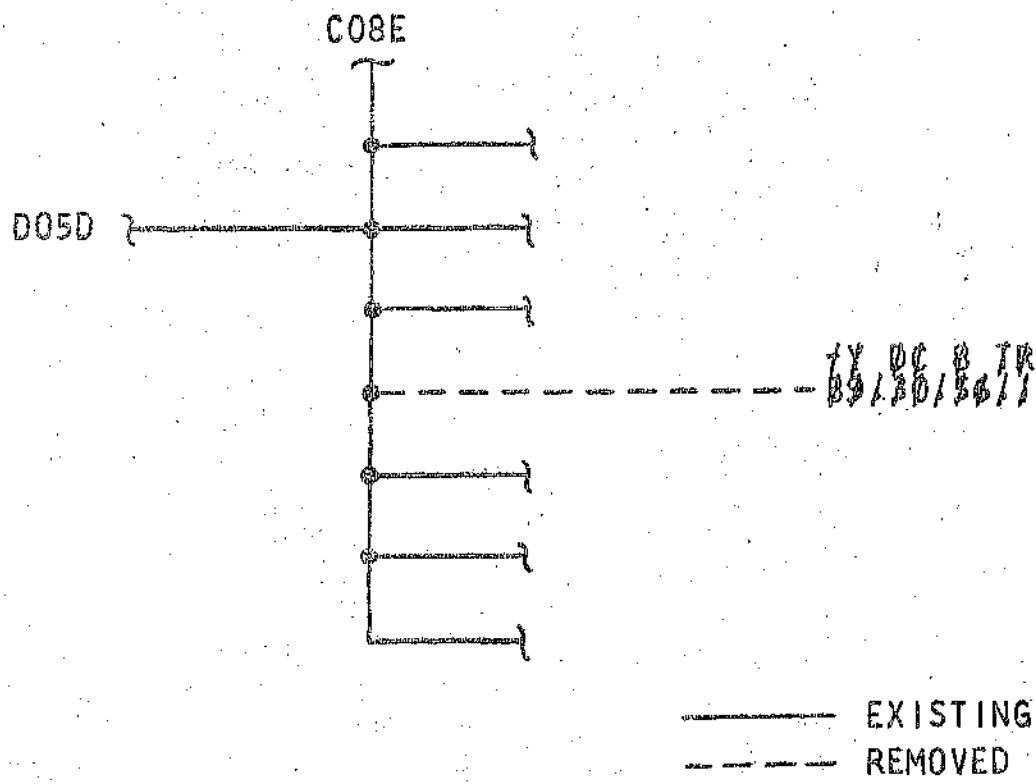
COMMENTS

TAG	DATE	F.C.NO.	TAG	DATE	F.C.NO.	TAG	DATE	F.C.NO.	TAG	DATE	F.C.NO.
A	11-14-60	109350D	B	01-05-61	109364	C	03-29-61	110635	D	04-11-61	110660
E	05-23-61	110667	F	06-16-61	110668						

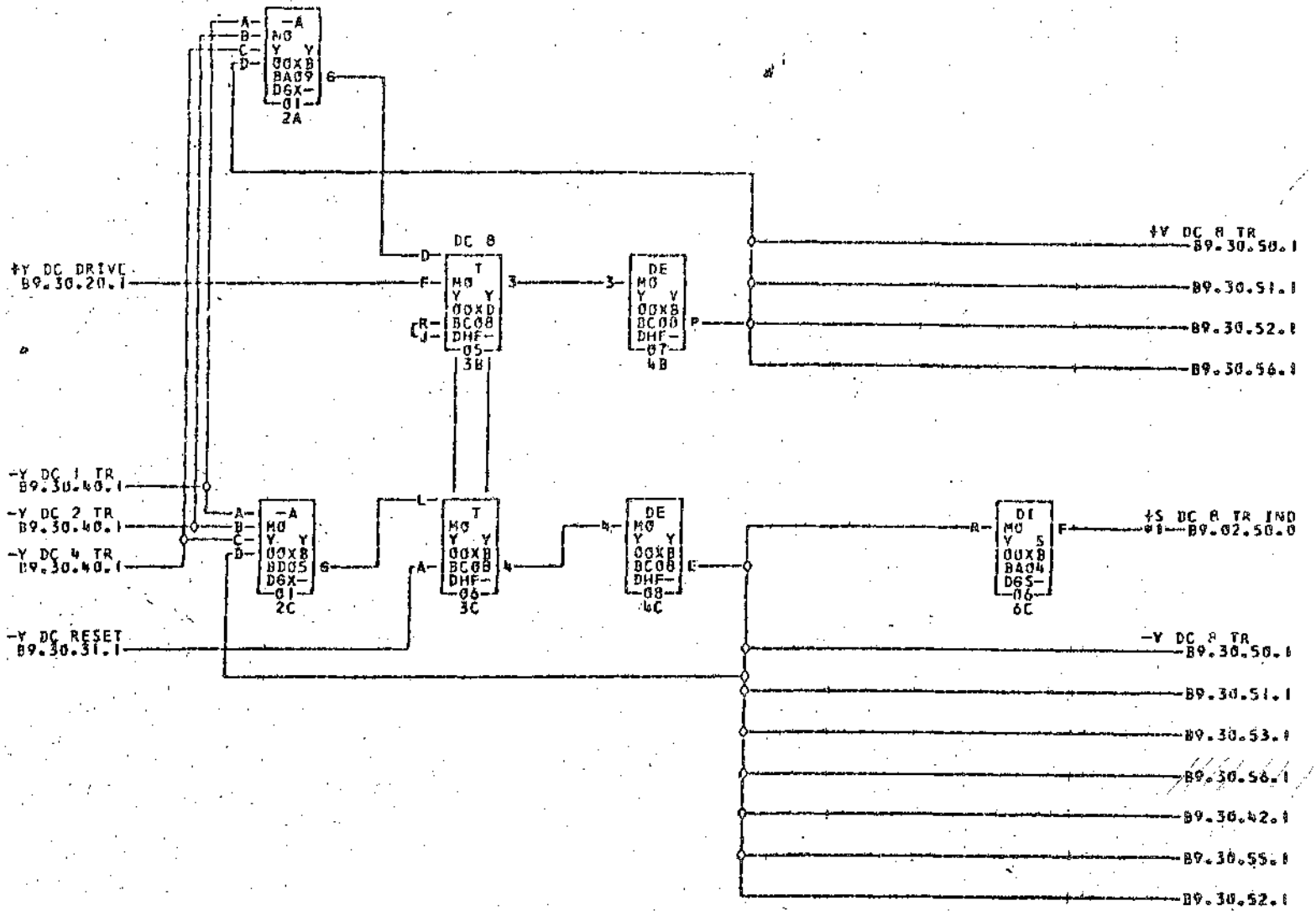
485778

INSURE FULL ERASE OF PREVIOUS RECORD SHEET 7 OF 13

8.2.2 ALTER LOGIC B9.30.41.1 (761238), GATE 00XB, AS FOLLOWS:



ENG. CHANGE	DATE	NO.	10-24-62	1-23-63	2-26-64				DATE TYPED
			15300D	116781	114094				



\*1-00XBA02A

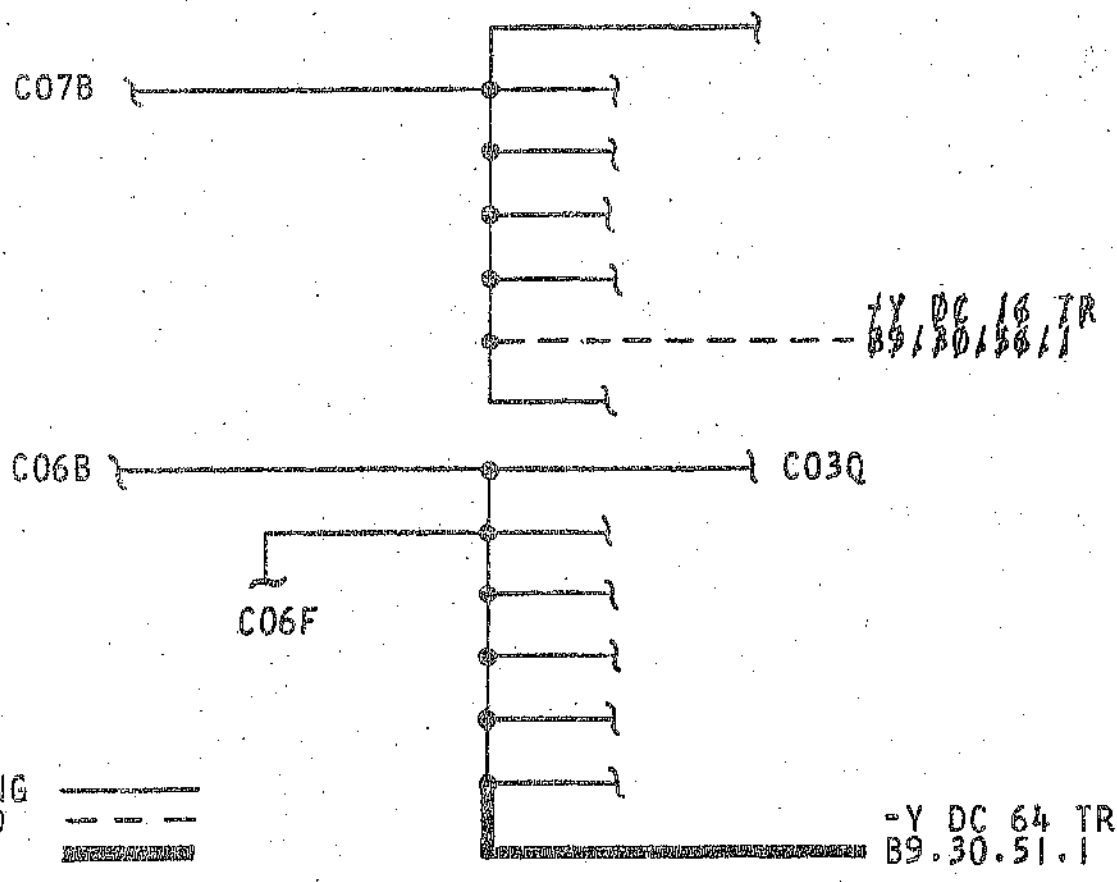
00XB 02B3 1401  
00XB 14D4 1410

COMMENTS

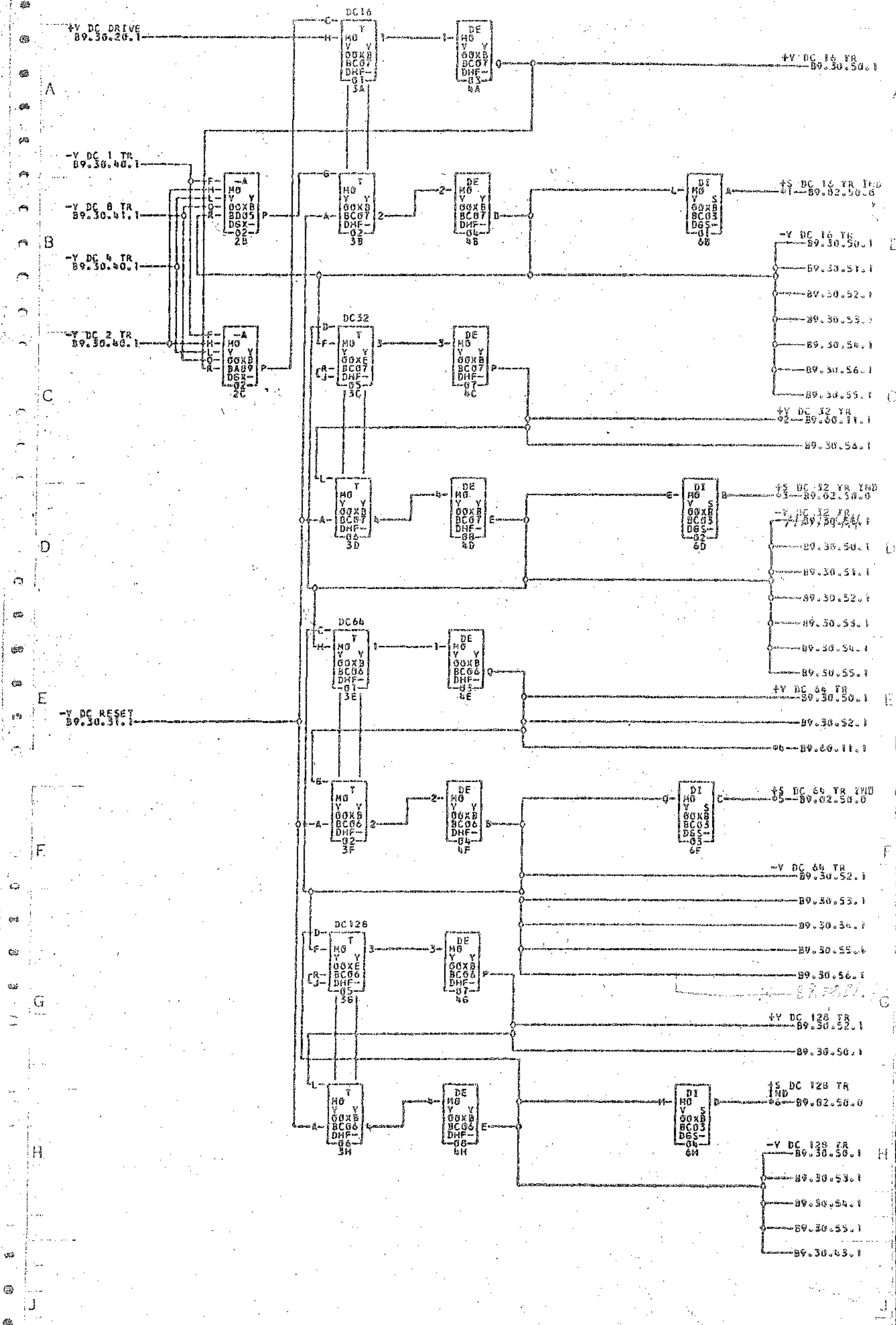
TAG	DATE	E.C.NO.	TAG	DATE	E.C.NO.	TAG	DATE	E.C.NO.	TAG	DATE	E.C.NO.
A	11-14-60	109350D	B	01-05-61	109366	C	01-20-61	109385	D	05-23-61	110447

INSURE FULL ERASE OF PREVIOUS RECORD SHEET 8 OF 13

8.2.3 ALTER LOGIC B9.30.42.1 (761239), GATE 00XB, AS FOLLOWS:



ENG. CHANGE	DATE	NO.	1-23-63	2-26-64					DATE TYPED
	10-24-62	115300D	116781	114094					



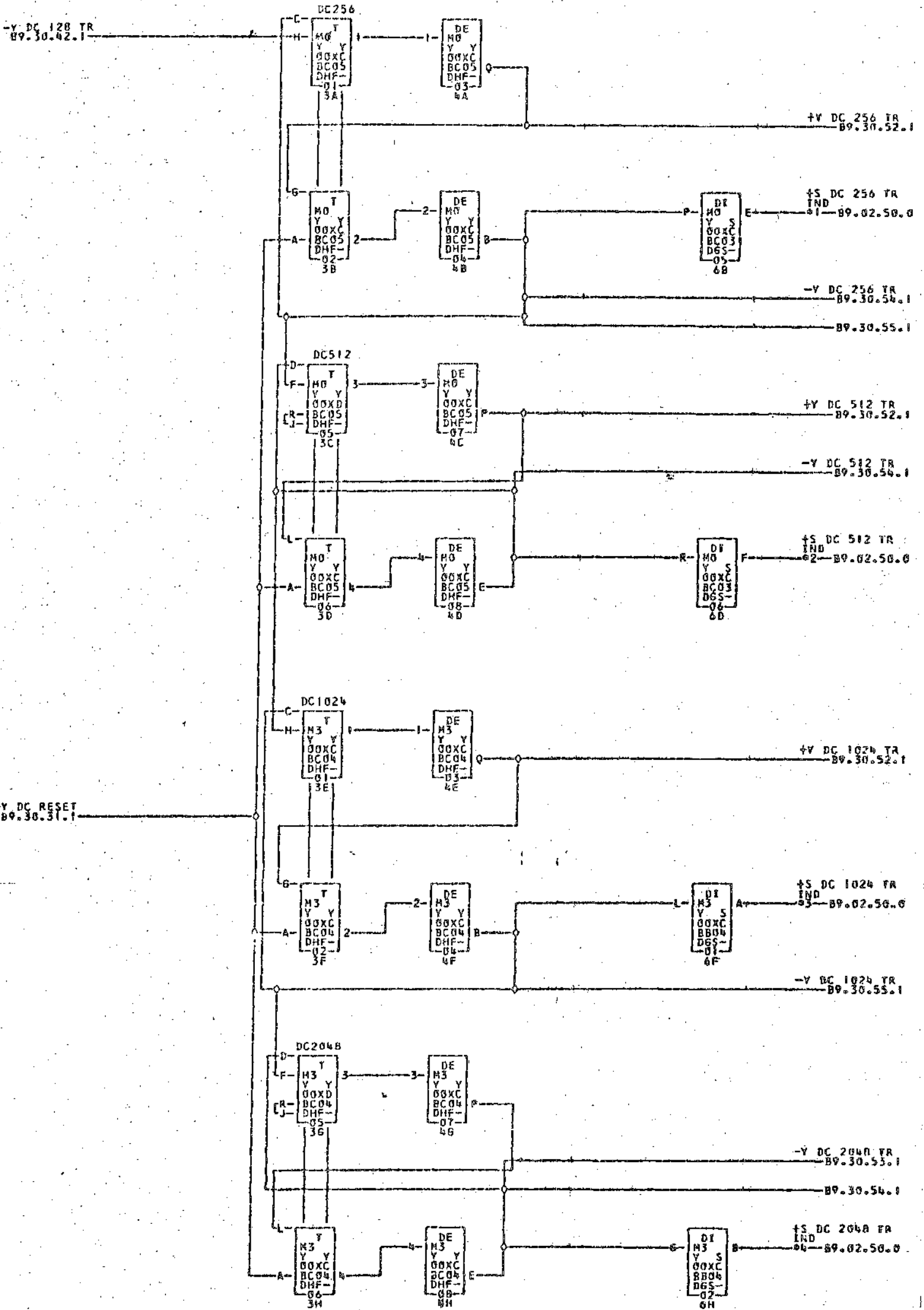
- \*1-00XB02A
- \*2-00XB01E
- \*3-00XB02B
- \*4-00XB01F
- \*5-00XB02C
- \*6-00XB02D

0761240

DELAY COUNTER

TAU 7

89.30.43.1



\*1--00XBB02E

\*2--00XBB02F

\*3--00XBB02G

\*4--00XBB02H

0000 0000 1101

COMMENTS

TAG	DATE	E.C.NO.	TAG	DATE	E.C.NO.	TAG	DATE	E.C.NO.	TAG	DATE	E.C.NO.
A	11-14-60	109350D	B	12-14-60	109355	C	01-05-61	109360	D	05-23-61	110457



A

A

+Y DC 2 TR  
 89.30.40.1  
 +Y DC 8 TR  
 89.30.41.1  
 +Y DC 16 TR  
 89.30.42.1  
 +Y DC 64 TR  
 89.30.42.1  
 +Y DC 128 TR  
 89.30.42.1

B

B

+Y DC 1 TR  
 89.30.40.1  
 -Y DC 32 TR  
 89.30.42.1

C

C

-Y DC 16 TR  
 89.30.42.1

D

D

-Y US SAMPLE  
 89.30.20.1

E

E

-Y RDD  
 89.30.11.1  
 -Y DC 8 TR  
 89.30.61.1  
 -Y RDD  
 89.30.10.1  
 -Y DC 4 TR  
 89.30.49.1

F

F

-Y DC 128 TR  
 89.30.62.1

G

G

-Y HS SAMPLE  
 CKY  
 89.30.20.1  
 -Y BACKSPACE  
 89.30.60.1  
 -Y SEL + READY  
 MOD 2 OR 4  
 89.30.61.1

H

H

-Y RDD 57  
 89.30.51.1

J

J

01--00XBAG1E    02--00XBAG1D    03--00XBAG2C    04--00XBAG1N    05--00XBAG2S    06--00XBAG1Q

00XB 0228 1601  
 00XB 1454 1410

COMMENTS

TAG DATE F.C.NO.  
 A 11-14-60 109328  
 B 04-11-61 110428

TAG DATE F.C.NO.  
 B 12-14-60 109328  
 C 08-02-61 112228

TAG DATE F.C.NO.  
 C 01-03-61 109328

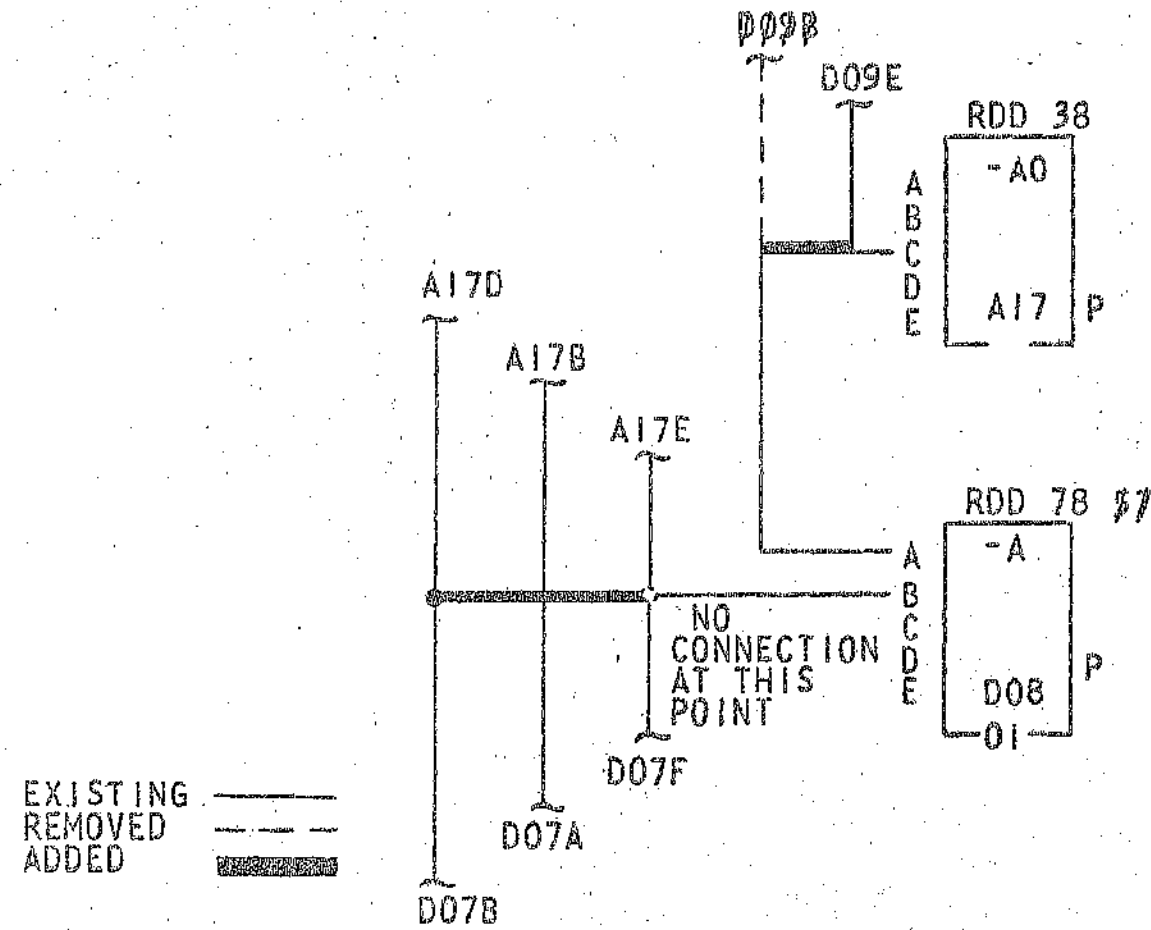
TAG DATE F.C.NO.  
 D 01-20-61 109328

TDK

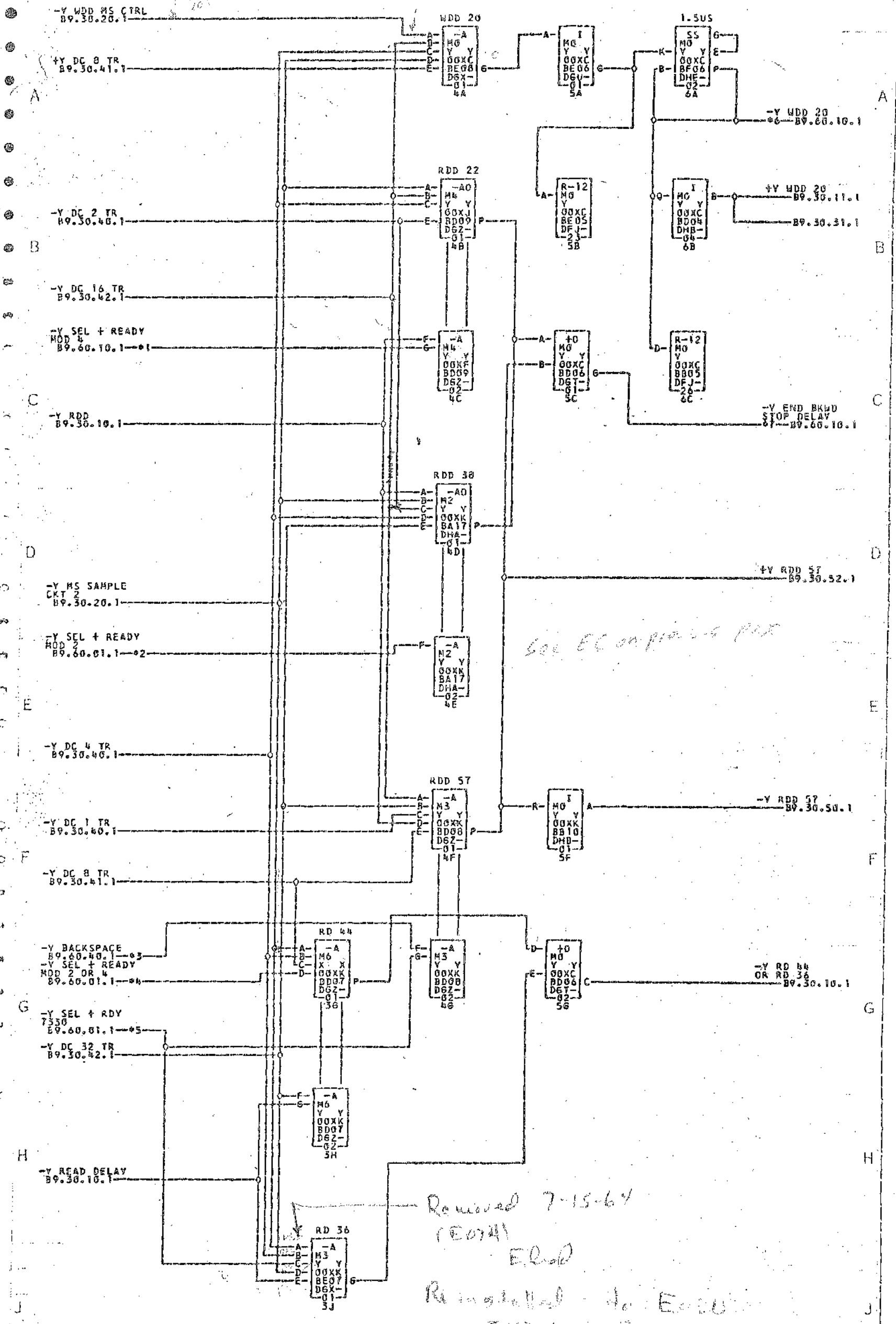
INSURE FULL ERASE OF PREVIOUS RECORD

SHEET 9 OF 13

8.2.4 ALTER LOGIC B9.30.51.1 (761242), GATE 00XB, AS FOLLOWS:



ENG. CHANGE	DATE	10-24-62	1-23-63	2-26-64					DATE TYPED
	NO.	15300D	116781	114094					

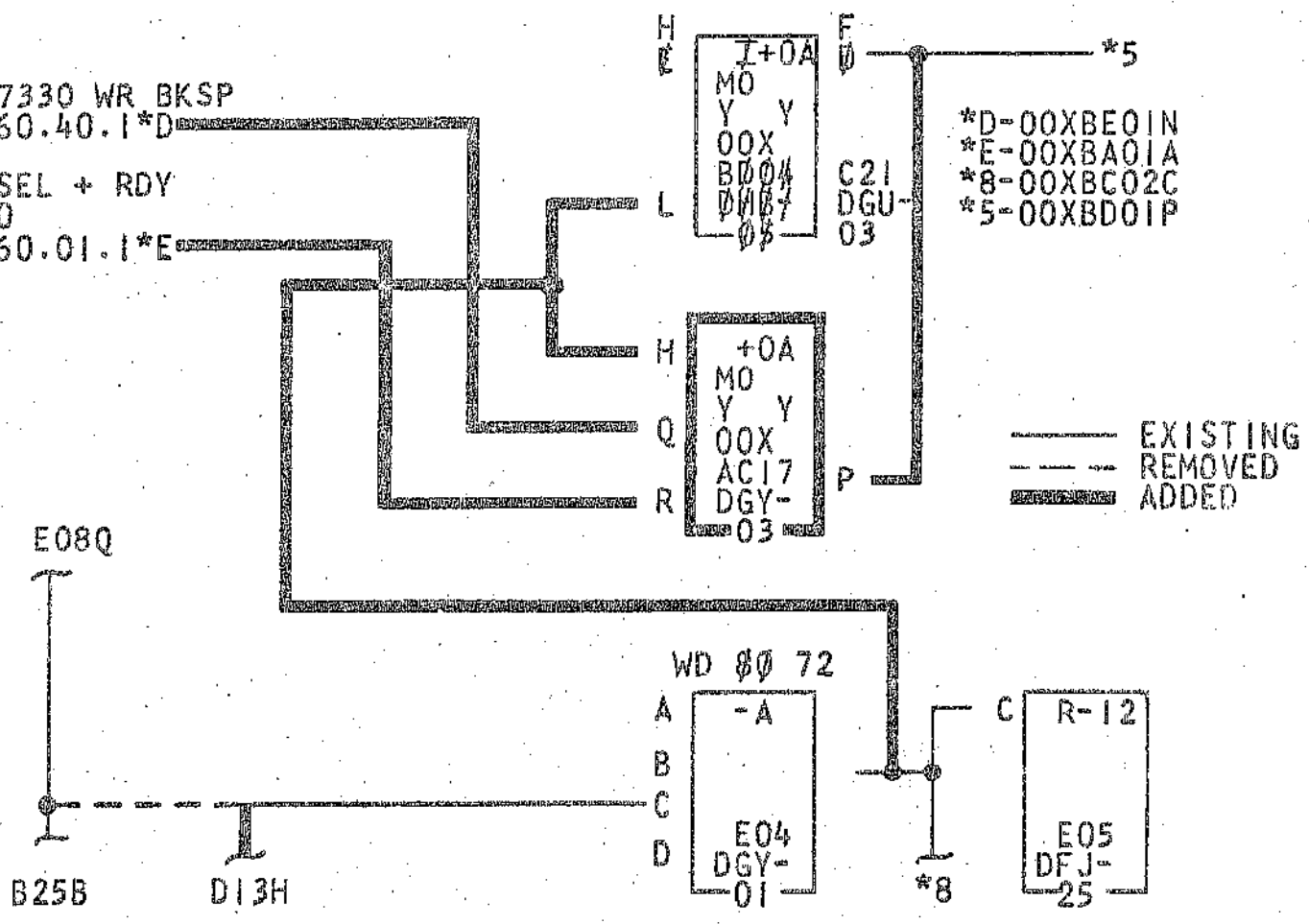


- \*1--00XBA01L
- \*2--00XBA01K
- \*3--00XBA01C
- \*4--00XBA01D
- \*5--00XBA01A
- \*6--00XBD01N
- \*7--00XBC01F

TAG	DATE	F.C. NO.	TAG	DATE	F.C. NO.	TAG	DATE	F.C. NO.	TAG	DATE	F.C. NO.
A	11-14-60	109150B	B	12-14-60	109335A	C	01-05-61	109166A	D	01-20-61	109185A
E	02-13-61	109404A	F	03-29-61	109435A	G	04-11-61	109460A	H	03-09-61	109464A
J	08-15-61	110468	K	08-04-61	112226						

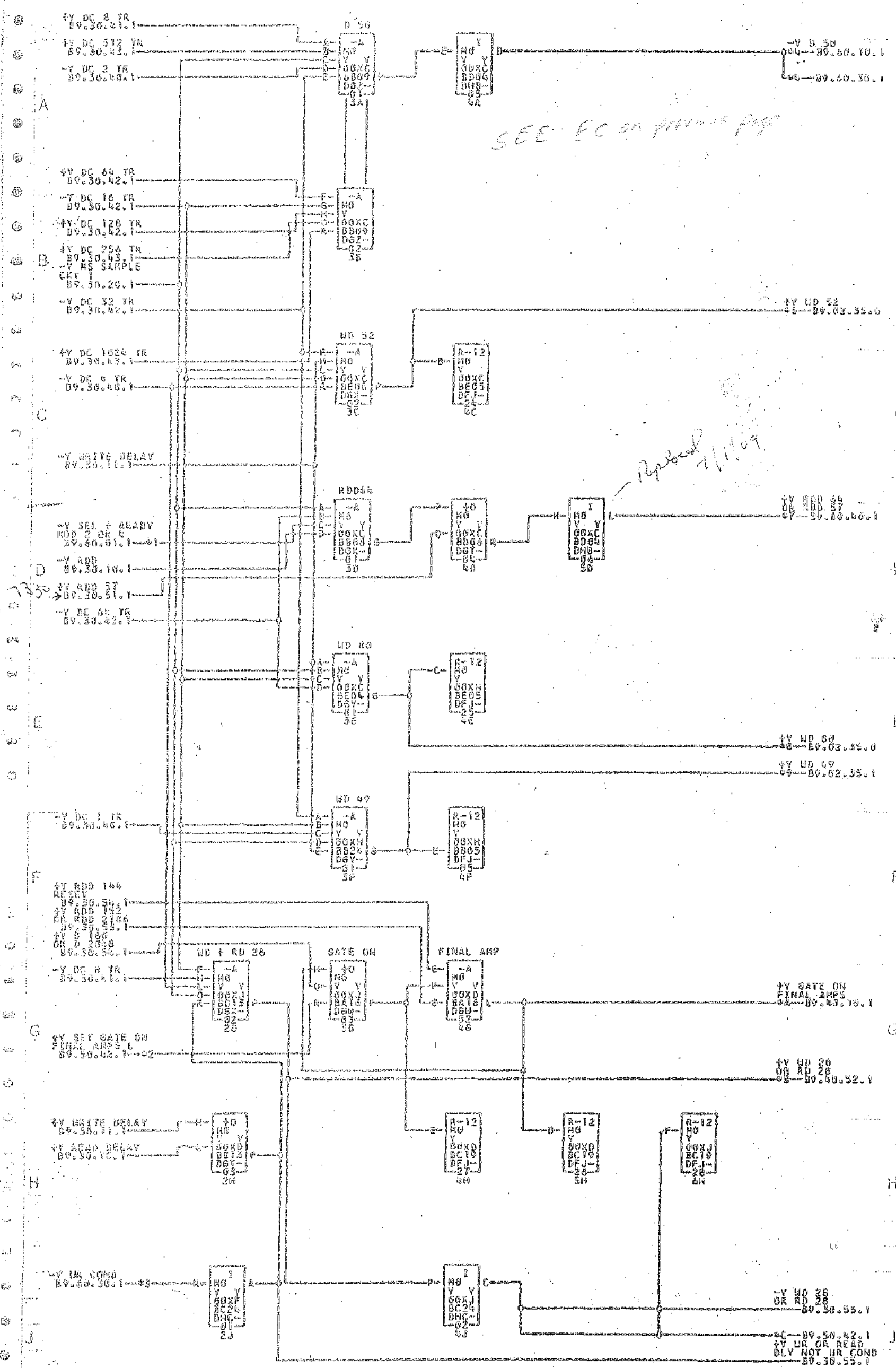
8.2.5 ALTER LOGIC B9.30.52.1 (761243), GATE 00XB, AS FOLLOWS:

-Y 7330 WR BKSP  
B9.60.40.1\*D  
-Y SEL + RDY  
7330  
B9.60.01.1\*E



- \*D-00XBEO1N
- \*E-00XBA01A
- \*8-00XBC02C
- \*5-00XBD01P

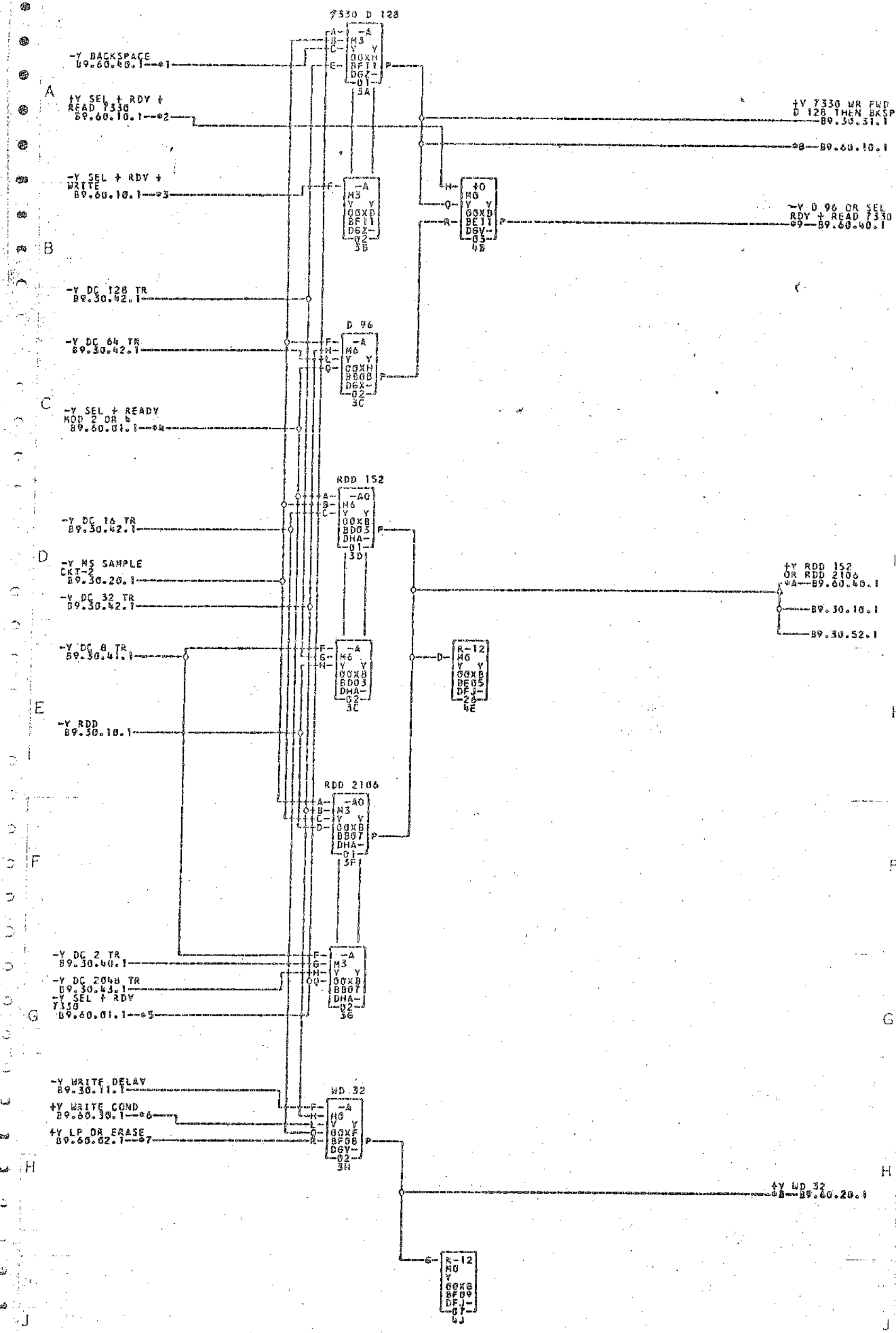
ENG. CHANGE	DATE	10-24-62	1-23-63	2-26-64					DATE TYPED
	NO.	115300D	116781	114094					



SEE FC ON PREVIOUS PAGE

Approved 1/1/69

- 11--60XBC010
- 12--60XBC011
- 13--60XBC012
- 14--60XBC013
- 15--60XBC014
- 16--60XBC015
- 17--60XBC016
- 18--60XBC017
- 19--60XBC018
- 20--60XBC019
- 21--60XBC020
- 22--60XBC021
- 23--60XBC022
- 24--60XBC023
- 25--60XBC024
- 26--60XBC025
- 27--60XBC026
- 28--60XBC027
- 29--60XBC028
- 30--60XBC029
- 31--60XBC030
- 32--60XBC031
- 33--60XBC032
- 34--60XBC033
- 35--60XBC034
- 36--60XBC035
- 37--60XBC036
- 38--60XBC037
- 39--60XBC038
- 40--60XBC039
- 41--60XBC040
- 42--60XBC041
- 43--60XBC042
- 44--60XBC043
- 45--60XBC044
- 46--60XBC045
- 47--60XBC046
- 48--60XBC047
- 49--60XBC048
- 50--60XBC049
- 51--60XBC050
- 52--60XBC051
- 53--60XBC052
- 54--60XBC053
- 55--60XBC054
- 56--60XBC055
- 57--60XBC056
- 58--60XBC057
- 59--60XBC058
- 60--60XBC059
- 61--60XBC060
- 62--60XBC061
- 63--60XBC062
- 64--60XBC063
- 65--60XBC064
- 66--60XBC065
- 67--60XBC066
- 68--60XBC067
- 69--60XBC068
- 70--60XBC069
- 71--60XBC070
- 72--60XBC071
- 73--60XBC072
- 74--60XBC073
- 75--60XBC074
- 76--60XBC075
- 77--60XBC076
- 78--60XBC077
- 79--60XBC078
- 80--60XBC079
- 81--60XBC080
- 82--60XBC081
- 83--60XBC082
- 84--60XBC083
- 85--60XBC084
- 86--60XBC085
- 87--60XBC086
- 88--60XBC087
- 89--60XBC088
- 90--60XBC089
- 91--60XBC090
- 92--60XBC091
- 93--60XBC092
- 94--60XBC093
- 95--60XBC094
- 96--60XBC095
- 97--60XBC096
- 98--60XBC097
- 99--60XBC098
- 100--60XBC099
- 101--60XBC100



- \*1--00XBAC1C
- \*2--00XBEC1C
- \*3--00XBB01L
- \*4--00XBA01D
- \*5--00XBA01A
- \*6--00XBB01E
- \*7--00XBE01A
- \*8--00XBD01A
- \*9--00XBC01K
- \*A--00XBC01H
- \*B--00XBE01F

COMMENTS				TAG DATE E.C.NO.				TAG DATE E.C.NO.				TAG DATE E.C.NO.				TAG DATE E.C.NO.																							
00XB	02B3	1401		A	11-14-68	109350D		B	01-03-61	109306		C	01-29-61	109383		D	03-29-61	110635		00XB	1408	1410		E	04-11-67	110668		F	05-09-61	110668		G	05-23-61	110667		H	08-04-61	112226	
00XB	1408	1410		E	04-11-67	110668		F	05-09-61	110668		G	05-23-61	110667		H	08-04-61	112226																					

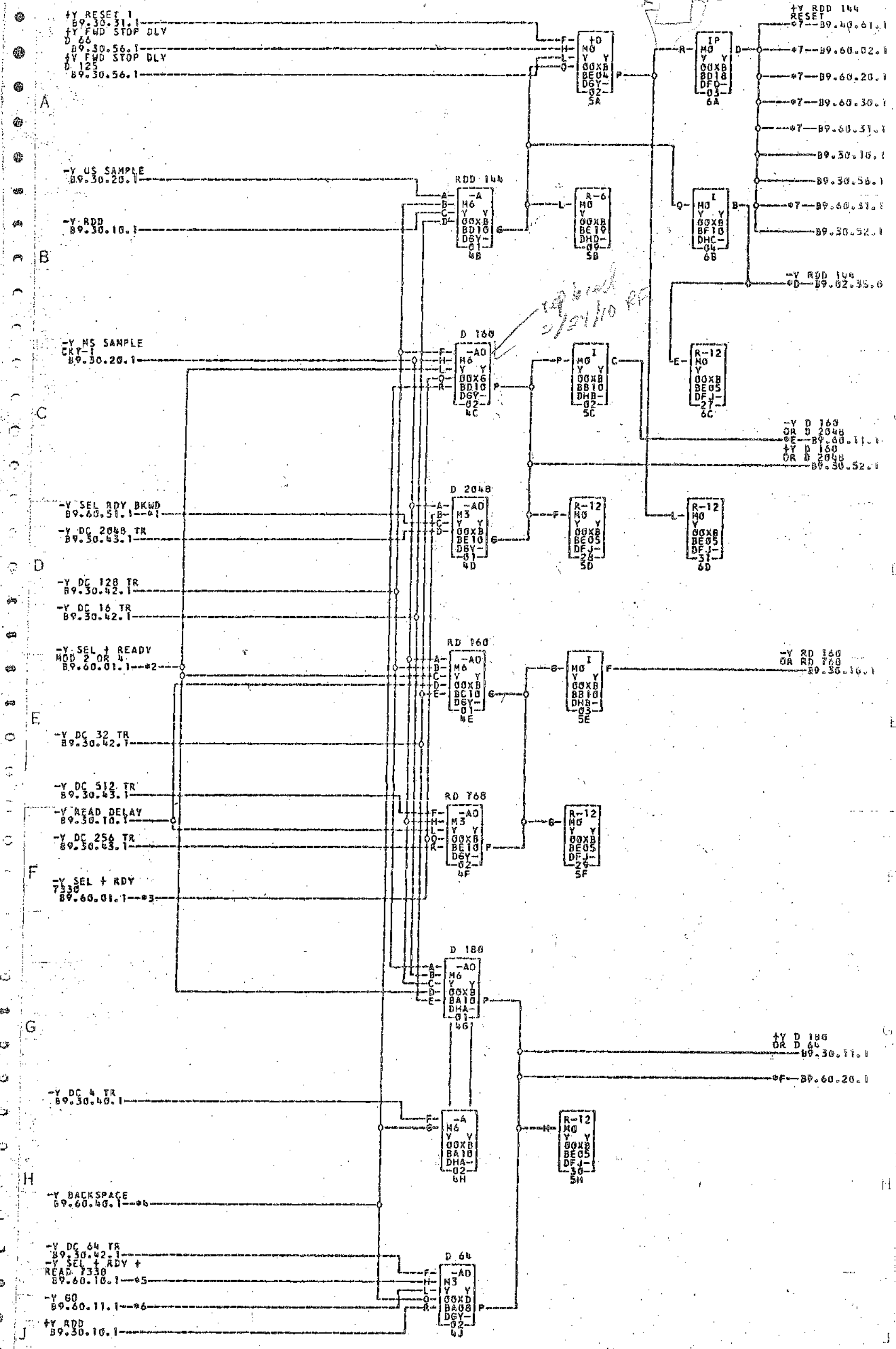
XRF02

0761245

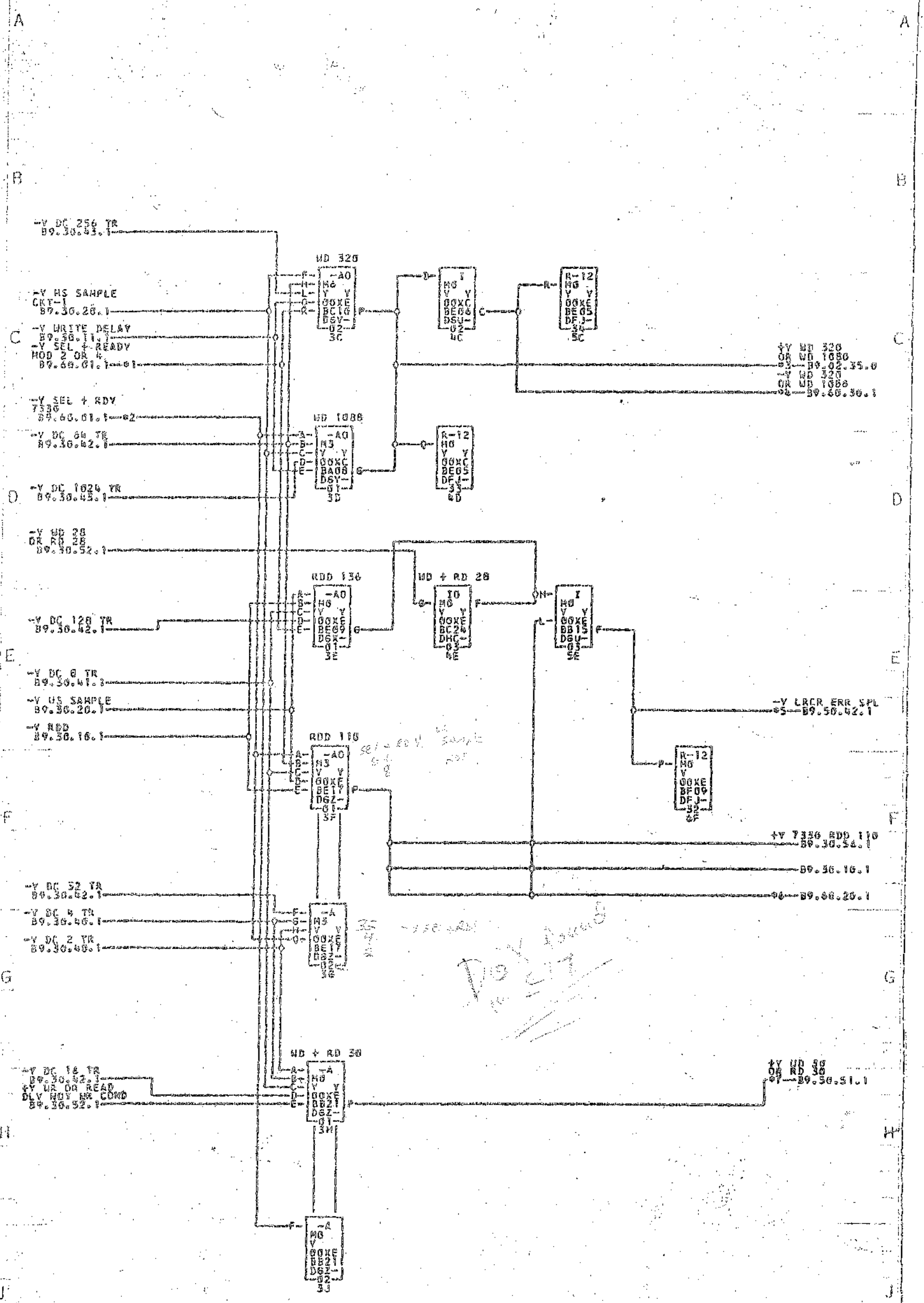
DELAY COUNTER GATING

TAU

B9.30.54.1



- \*1--00XBADIE
- \*2--00XDA01D
- \*3--00XBAB1A
- \*4--00XBAB1C
- \*5--00XBE01L
- \*6--00XBE01E
- \*7--00XBC01M
- \*8--00XBD02E
- \*9--00XBD01H
- \*F--00XBC01B



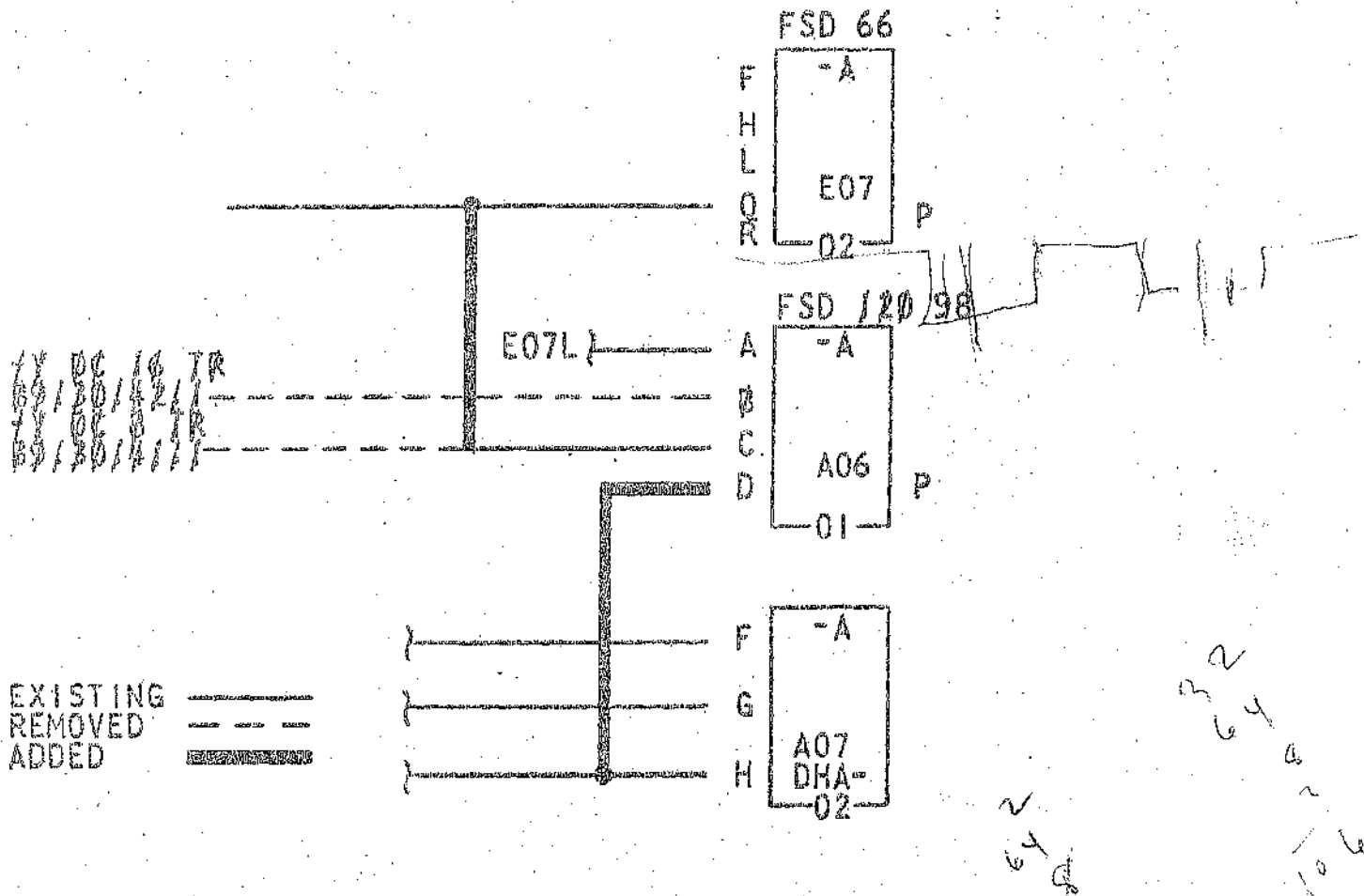
- \*1--60XDA010
- \*2--60XER01A
- \*3--60XEB01M
- \*4--60XBC02D
- \*5--60XBE02C
- \*6--60XBE010



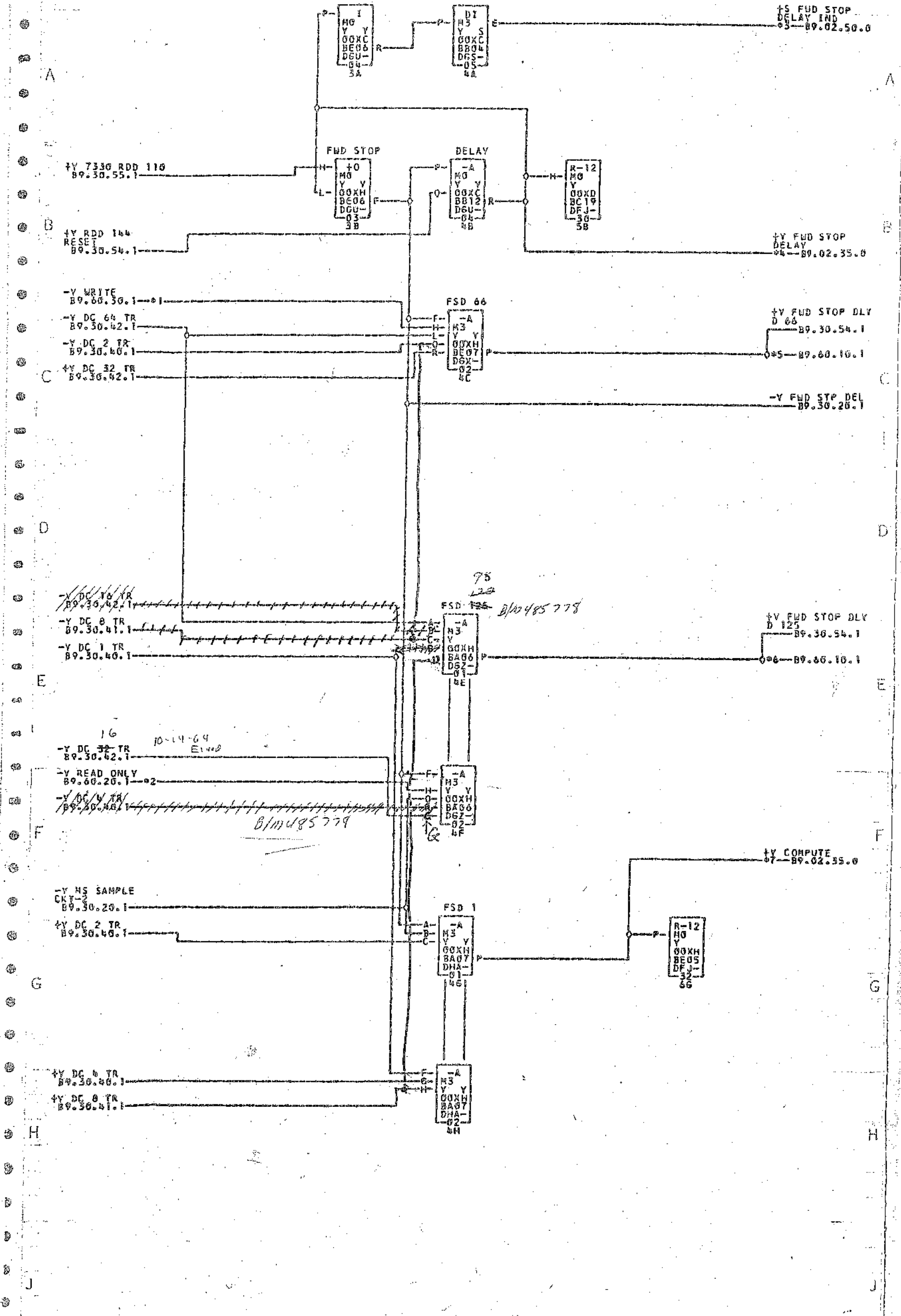
INSURE FULL ERASE OF PREVIOUS RECORD

SHEET 11 OF 13

8.2.6 ALTER LOGIC B9.30.56.1, (761247), GATE 00XB, AS FOLLOWS:



END. CHANGE	DATE	NO.	DATE	NO.	DATE	NO.	DATE TYPED
	10-27-62	115300D	1-23-63	116781	2-26-64	114094	



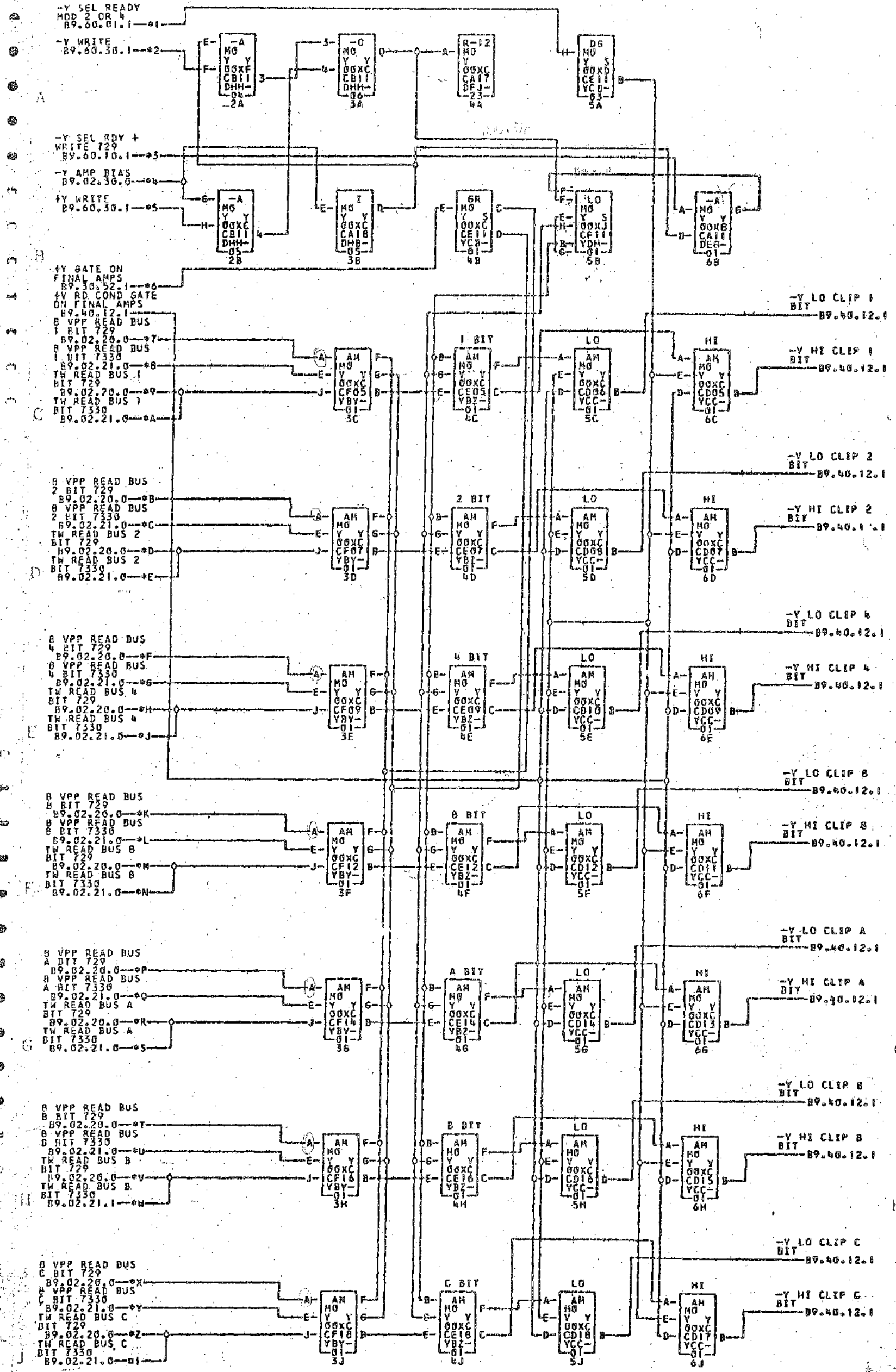
- \*1--00XBAC19
- \*2--00XBE01D
- \*3--00XBE02L
- \*4--00XBC02K
- \*5--00XBD01K
- \*6--00XBD01H

00XB 02B3 1401  
00XB 1ED5 1410

COMMENTS

TAG	DATE	F.C.NO.	TAG	DATE	F.C.NO.	TAG	DATE	F.C.NO.	TAG	DATE	F.C.NO.
A	11-10-60	109355	B	12-14-60	109355	C	01-03-61	110445	D	01-20-61	109355
E	03-20-61	110445	F	06-11-61	110445	G	05-09-61	110445	H	08-04-61	112228

YEAR

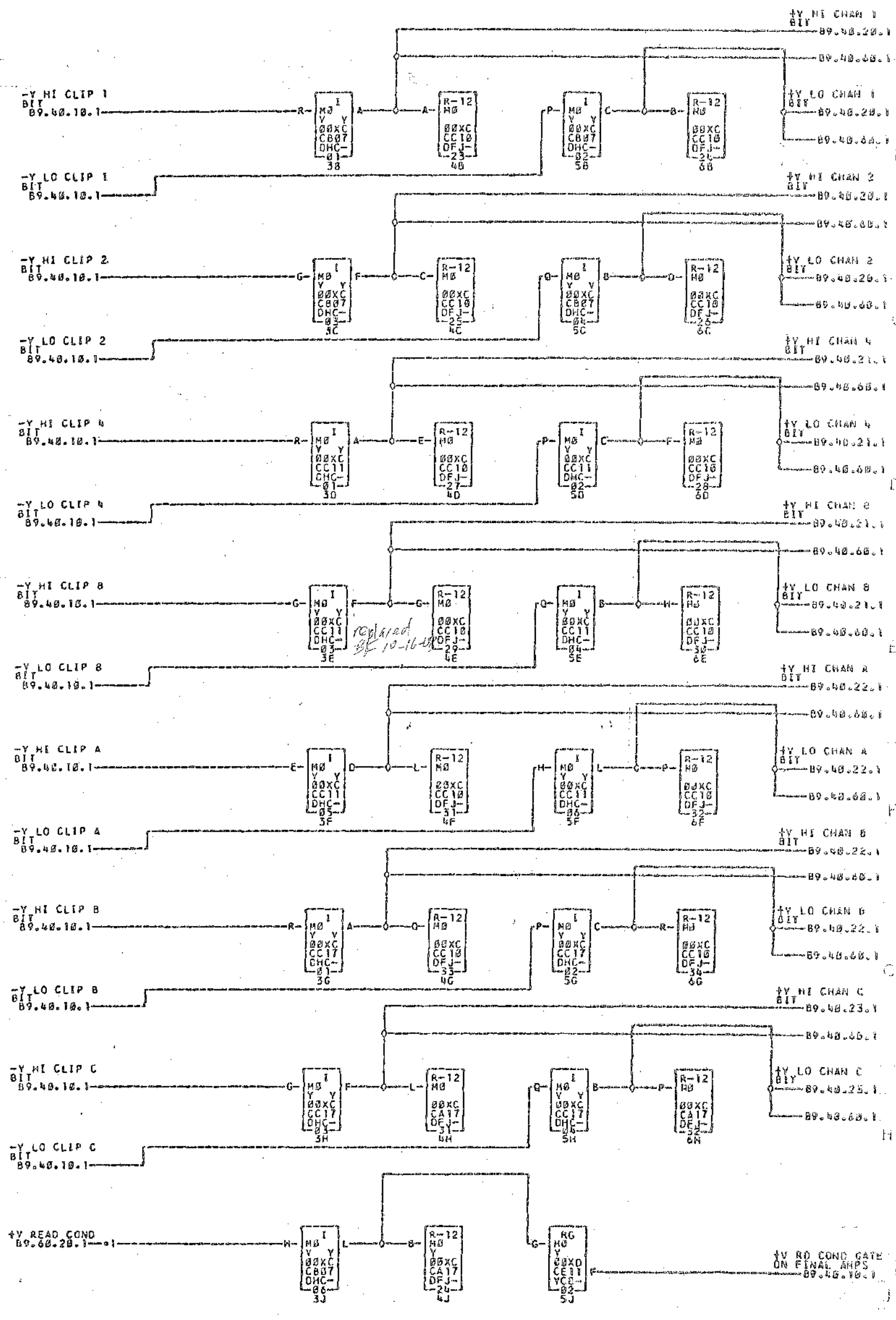


- \*1--00XCC02E
- \*2--00XCC01N
- \*3--00XCC026
- \*4--00XCC01N
- \*5--00XCC01E
- \*6--00XCC02D
- \*7--00XCC02B
- \*8--00XCC01A
- \*9--00XCC02A
- \*A--00XCC01A
- \*B--00XCC02D
- \*C--00XCC01D
- \*D--00XCC02C
- \*E--00XCC01C
- \*F--00XCC02F
- \*G--00XCC01F
- \*H--00XCC02E
- \*I--00XCC01E
- \*J--00XCC02K
- \*K--00XCC01B
- \*L--00XCC02H
- \*M--00XCC01B
- \*N--00XCC02G
- \*O--00XCC01G
- \*P--00XCC02L
- \*Q--00XCC01H
- \*R--00XCC02J
- \*S--00XCC01J
- \*T--00XCC02M
- \*U--00XCC01M
- \*V--00XCC02L
- \*W--00XCC01I
- \*X--00XCC02P
- \*Y--00XCC01P
- \*Z--00XCC02H
- \*01--00XCC01N

TAG	DATE	E.C.NO.	TAG	DATE	E.C.NO.	TAG	DATE	E.C.NO.	TAG	DATE	E.C.NO.
1401	1410	109350E	B 12-14-60	109355	C 01-05-61	109360	D 01-23-61	109385			
00XC 0284	1408	109400E	F 05-24-61	110435	G 04-12-61	110440	H 05-09-61	110444			
		110447									

NEW VERSION

A  
B  
C  
D  
E  
F  
G  
H



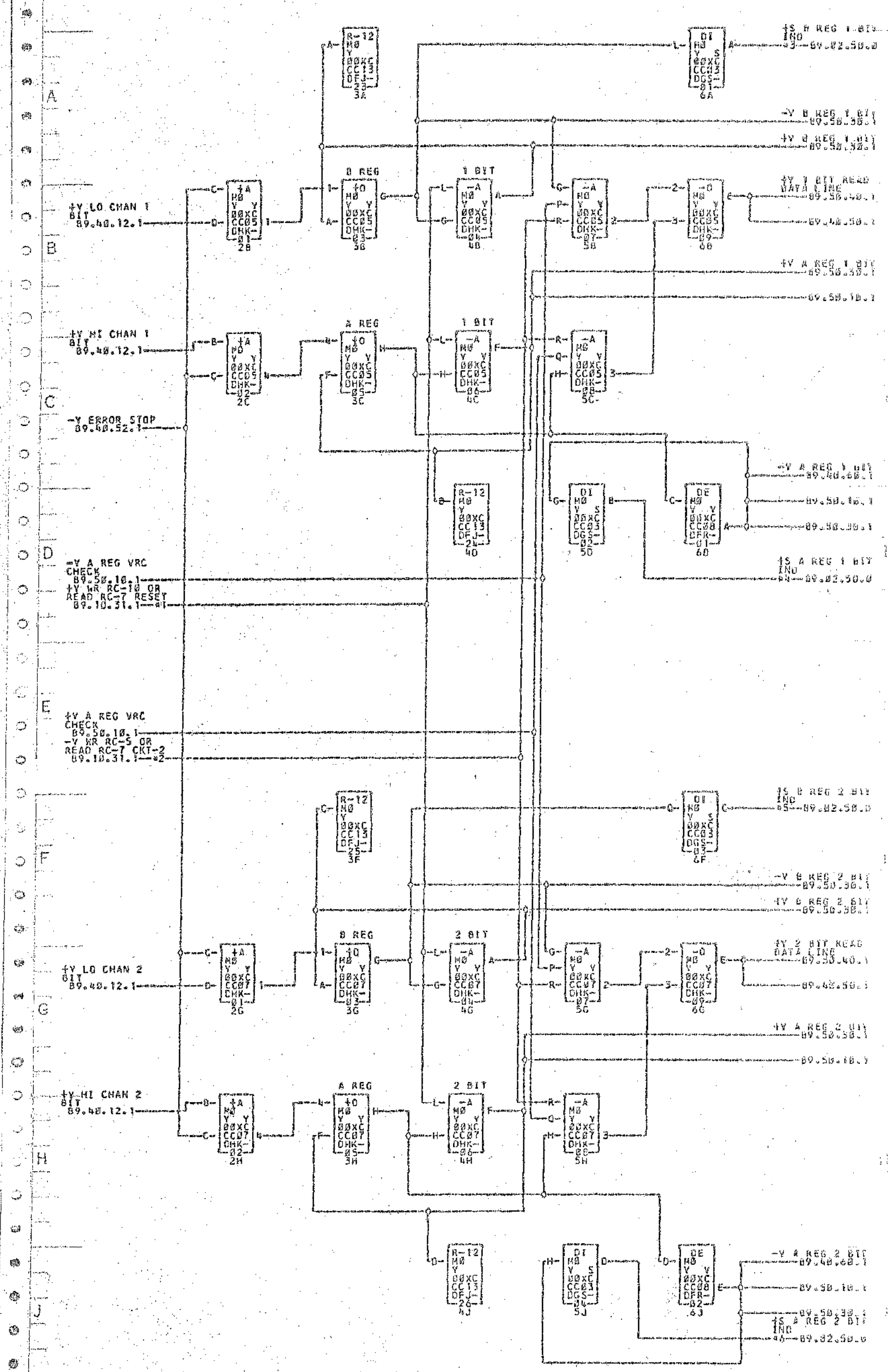
01--00XCC01P

6761265

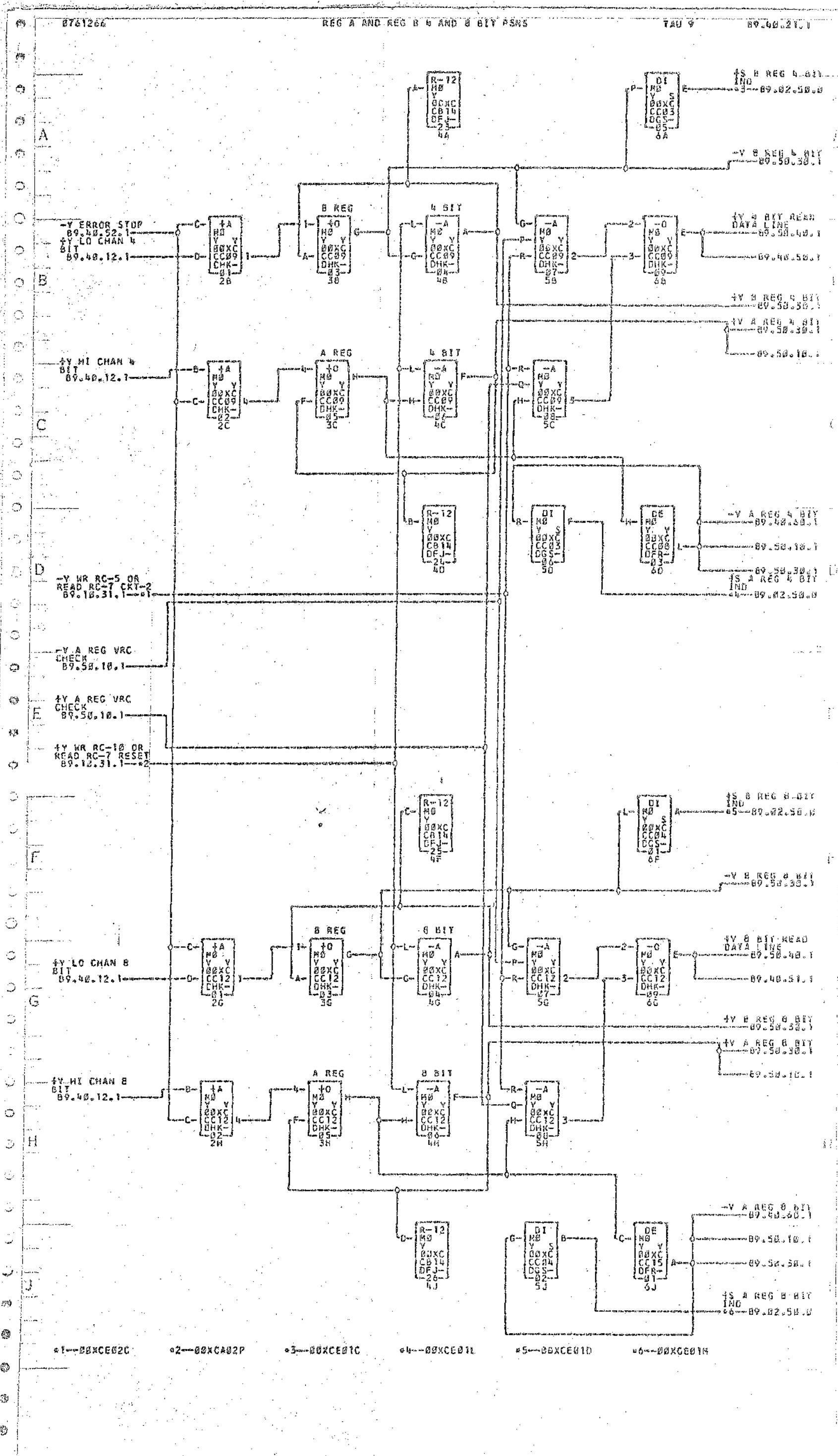
REG A AND REG B 1 AND 2 BIT PSNS

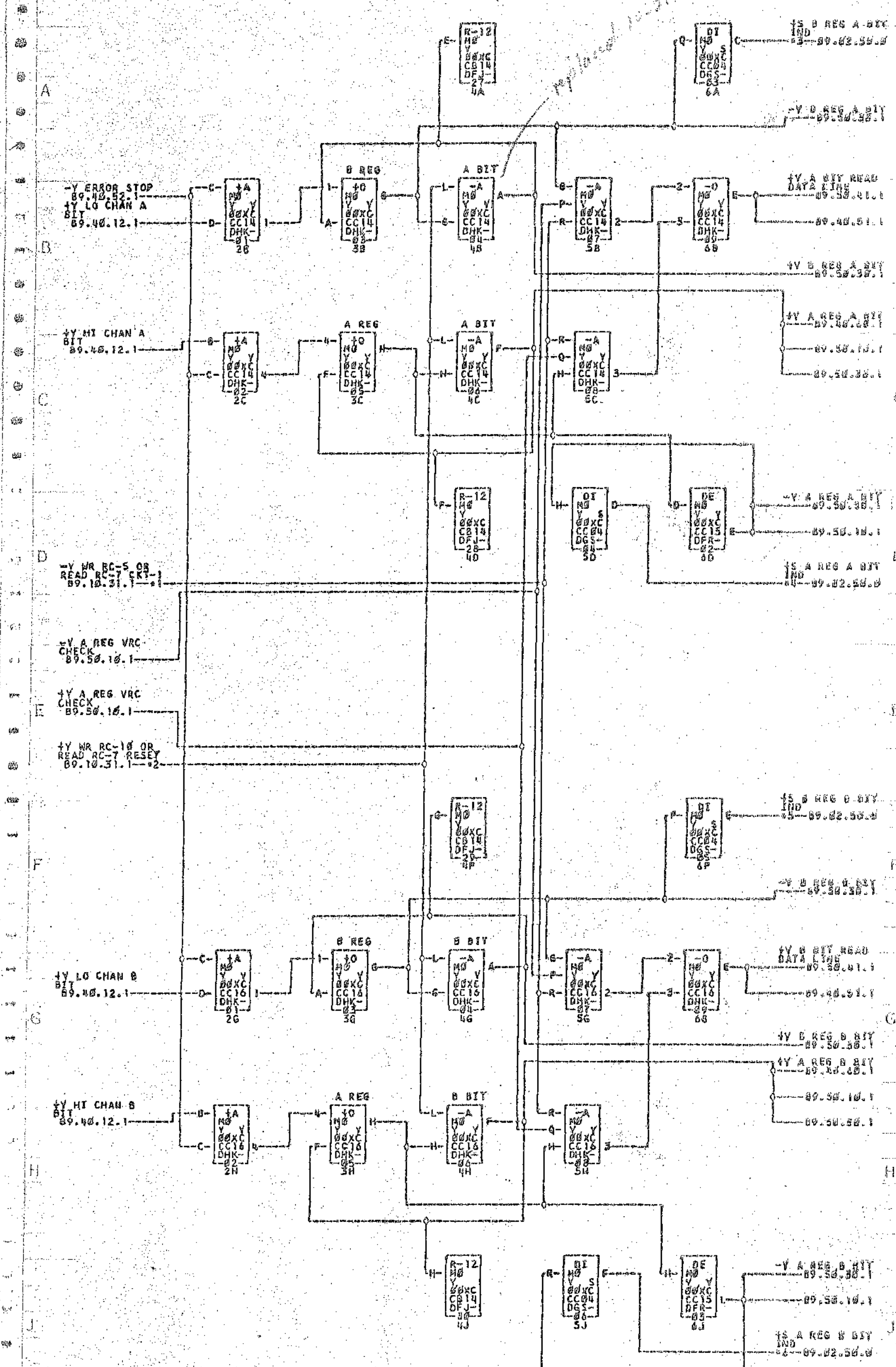
TAU 9

89.48.20.1

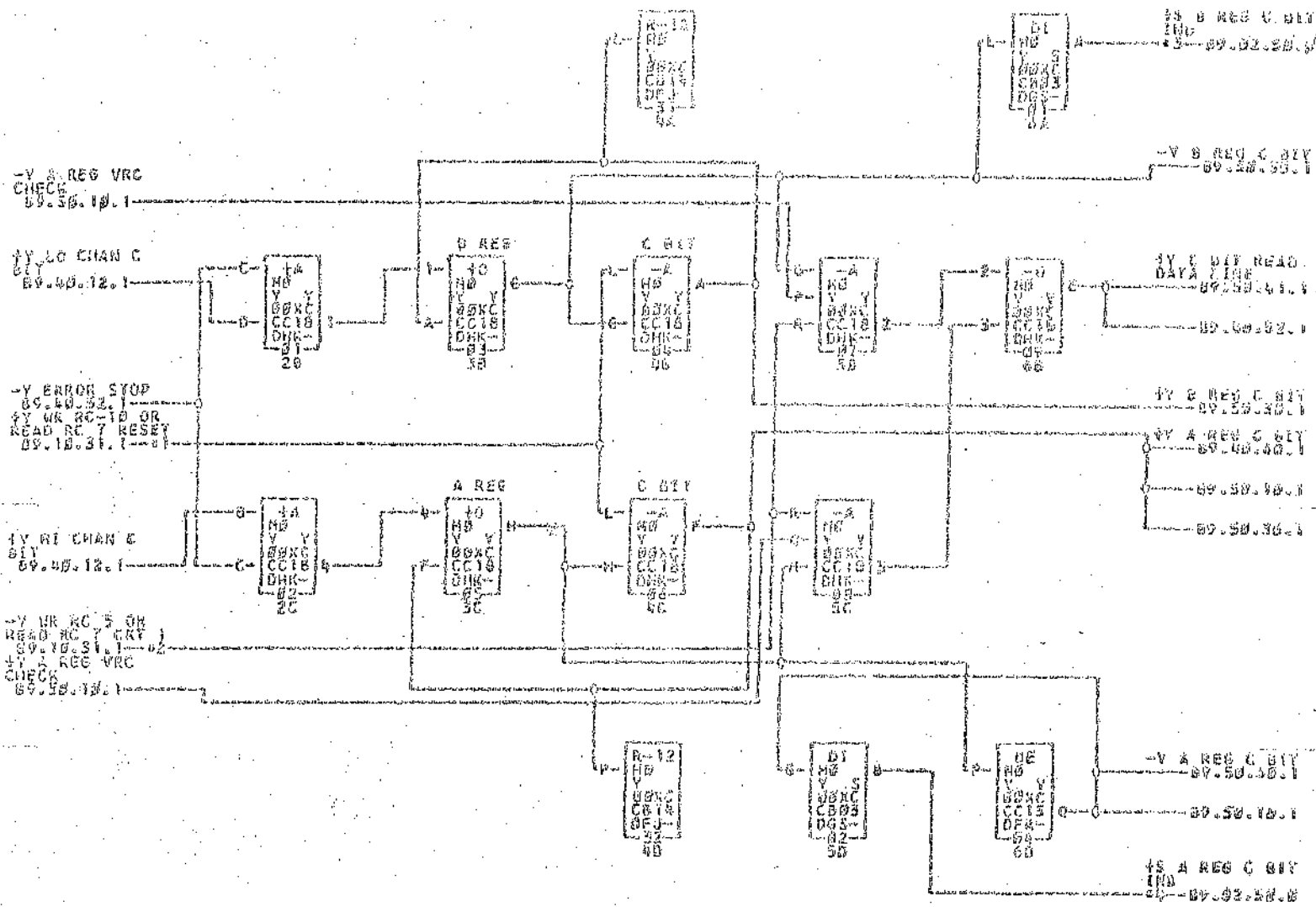


- 01--89XC02P
- 02--89XC02C
- 03--89XC02A
- 04--89XC02H
- 05--89XC02B
- 06--89XC02K





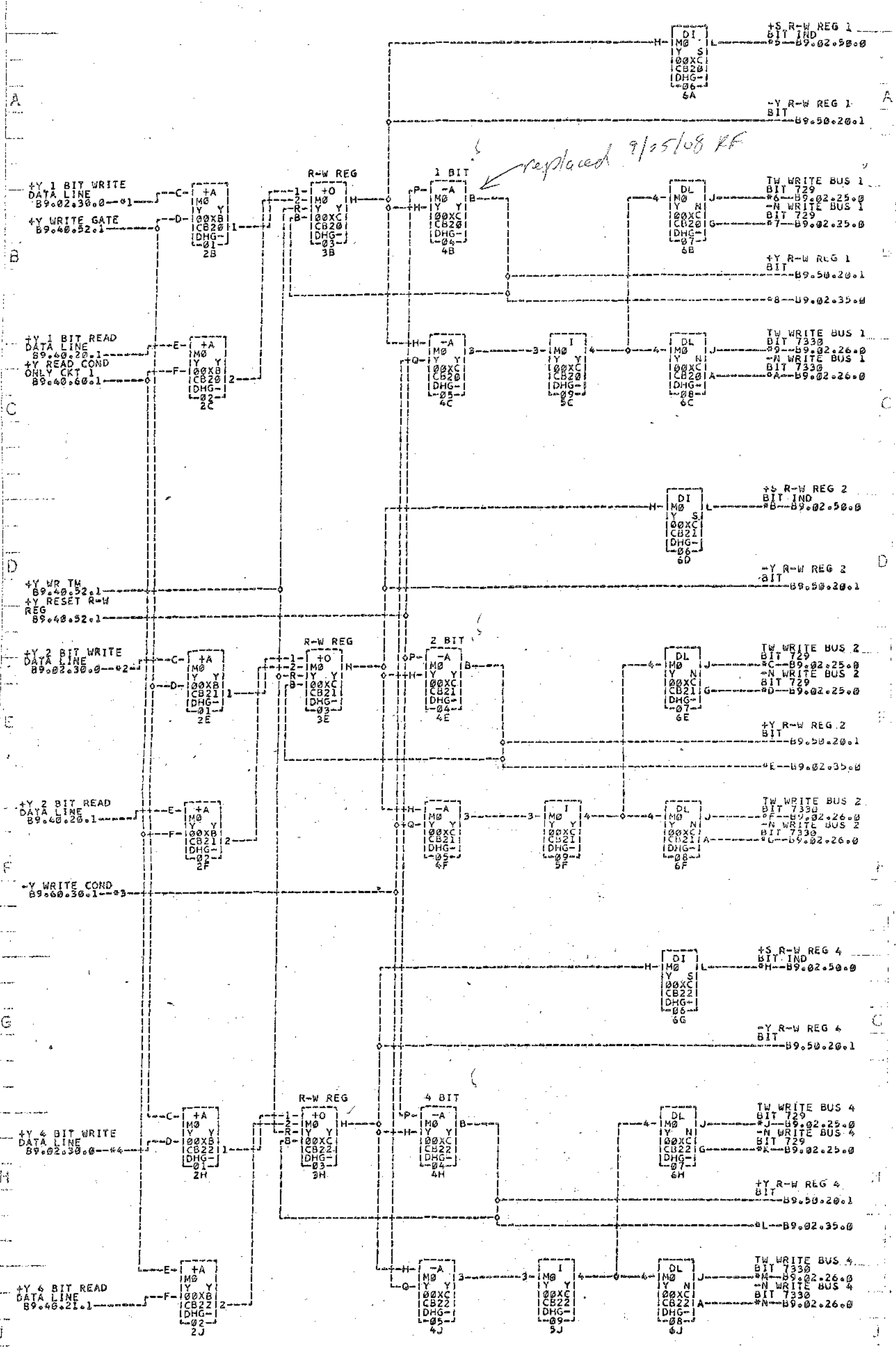
- \*1--00XC02D
- \*2--00XC02P
- \*3--00XC01E
- \*4--00XC01H
- \*5--00XC01F
- \*6--00XC01P



69.40.23.1  
 50ms  
 100ms

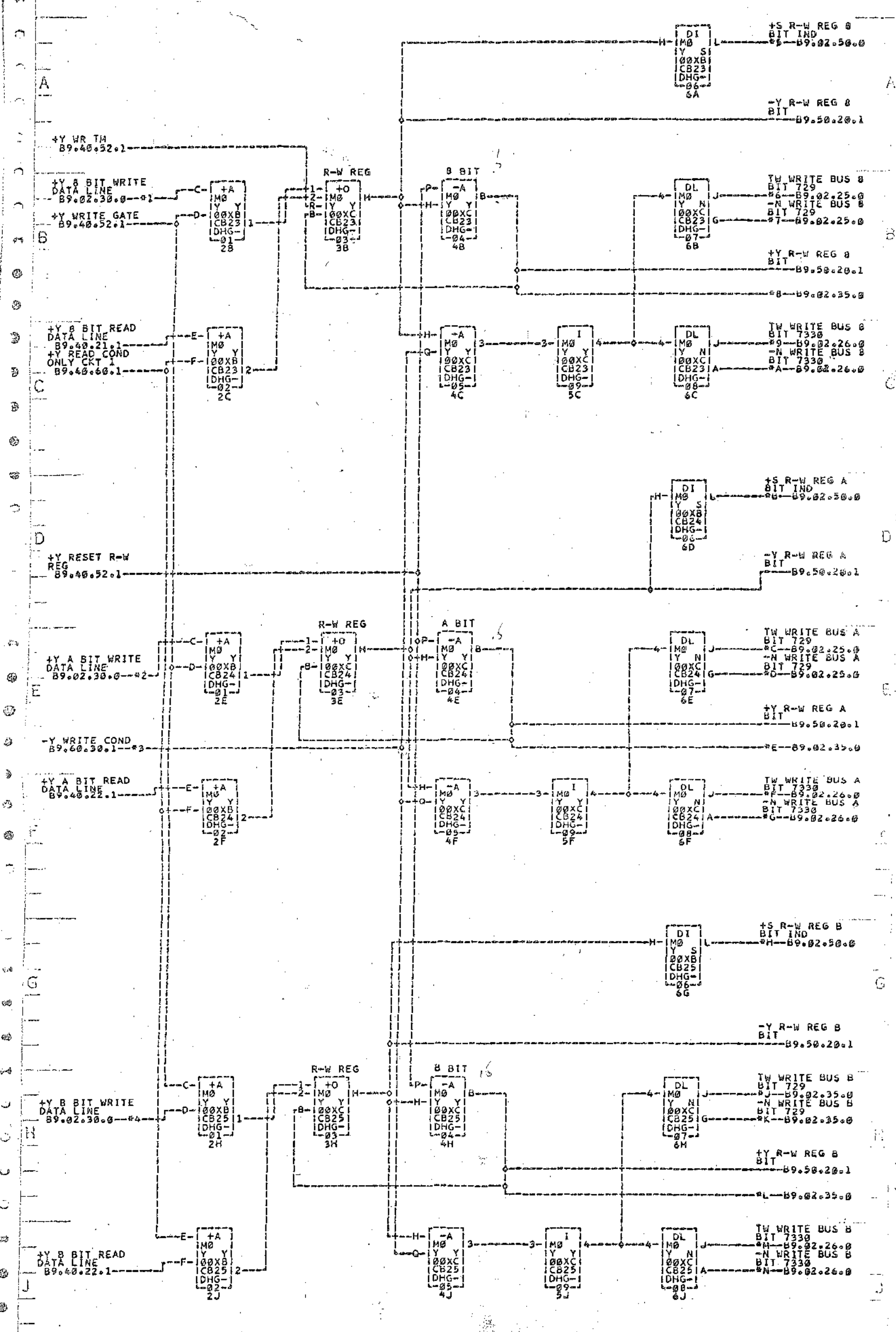
01--05XCAB2P 02--05XCAB2D 03--05XCAB2E 04--05XCAB2F





replaced 9/25/08 KF

- \*1--00XC02A
- \*2--00XC02B
- \*3--00XC02F
- \*4--00XC02C
- \*5--00XC01A
- \*6--00XC02A
- \*7--00XC02B
- \*8--00XC01A
- \*9--00XC01A
- \*A--00XC01B
- \*B--00XC01B
- \*C--00XC02C
- \*D--00XC02D
- \*E--00XC01B
- \*F--00XC01C
- \*G--00XC01D
- \*H--00XC01C
- \*I--00XC01D
- \*J--00XC02E
- \*K--00XC02F
- \*L--00XC01C
- \*M--00XC01E
- \*N--00XC01F



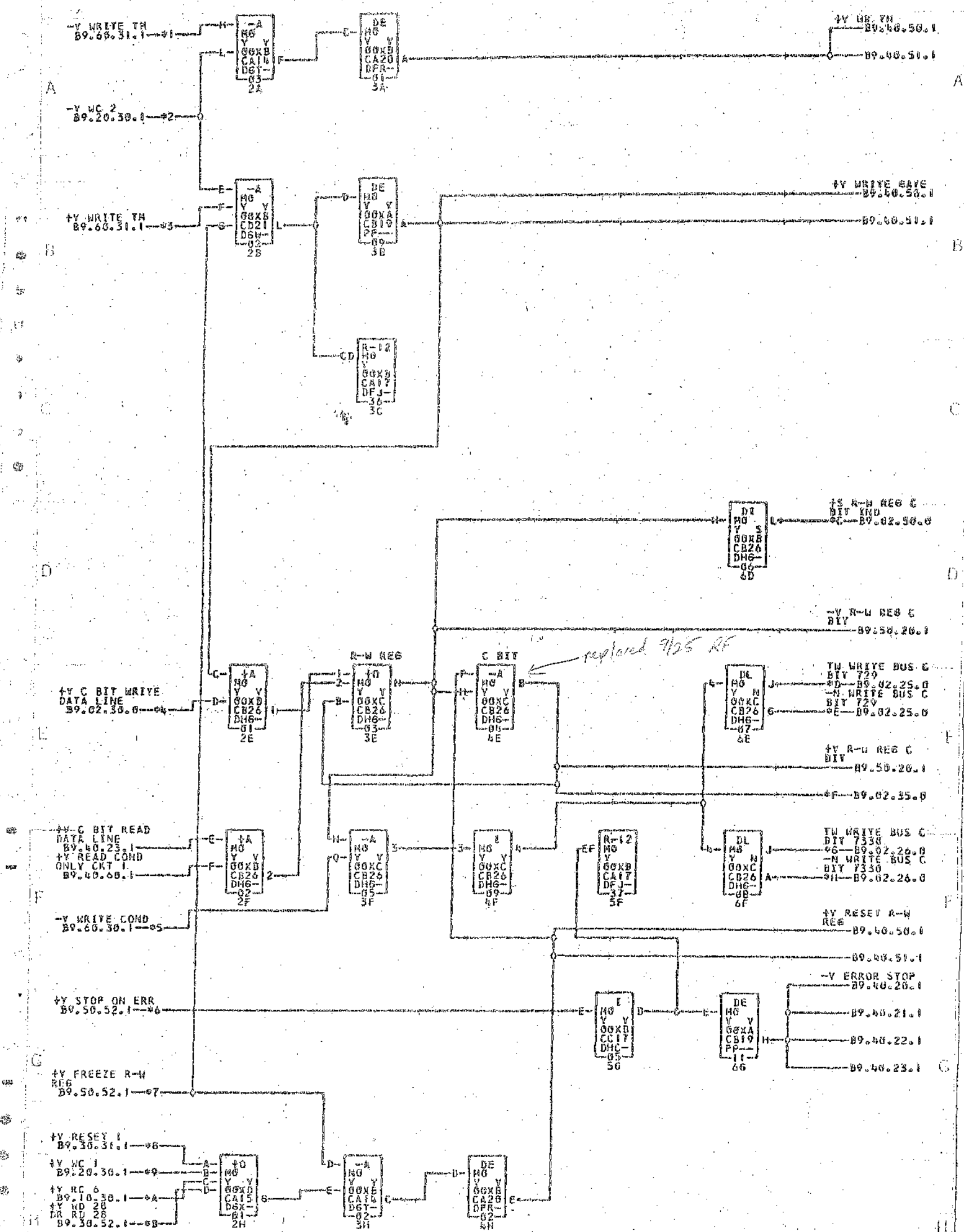
- \*1--00XC02D      \*2--00XC02E      \*3--00XC02F      \*4--00XC02G      \*5--00XC02H      \*6--00XC02I
- \*7--00XC02J      \*8--00XC02K      \*9--00XC02L      \*A--00XC02M      \*B--00XC02N      \*C--00XC02O
- \*D--00XC02P      \*E--00XC02Q      \*F--00XC02R      \*G--00XC02S      \*H--00XC02T      \*I--00XC02U
- \*J--00XC02V      \*K--00XC02W      \*L--00XC02X      \*M--00XC02Y      \*N--00XC02Z      \*O--00XC02A

0761271

R-W REGISTER BIT POSITION

TAU 9

29.40.52.1



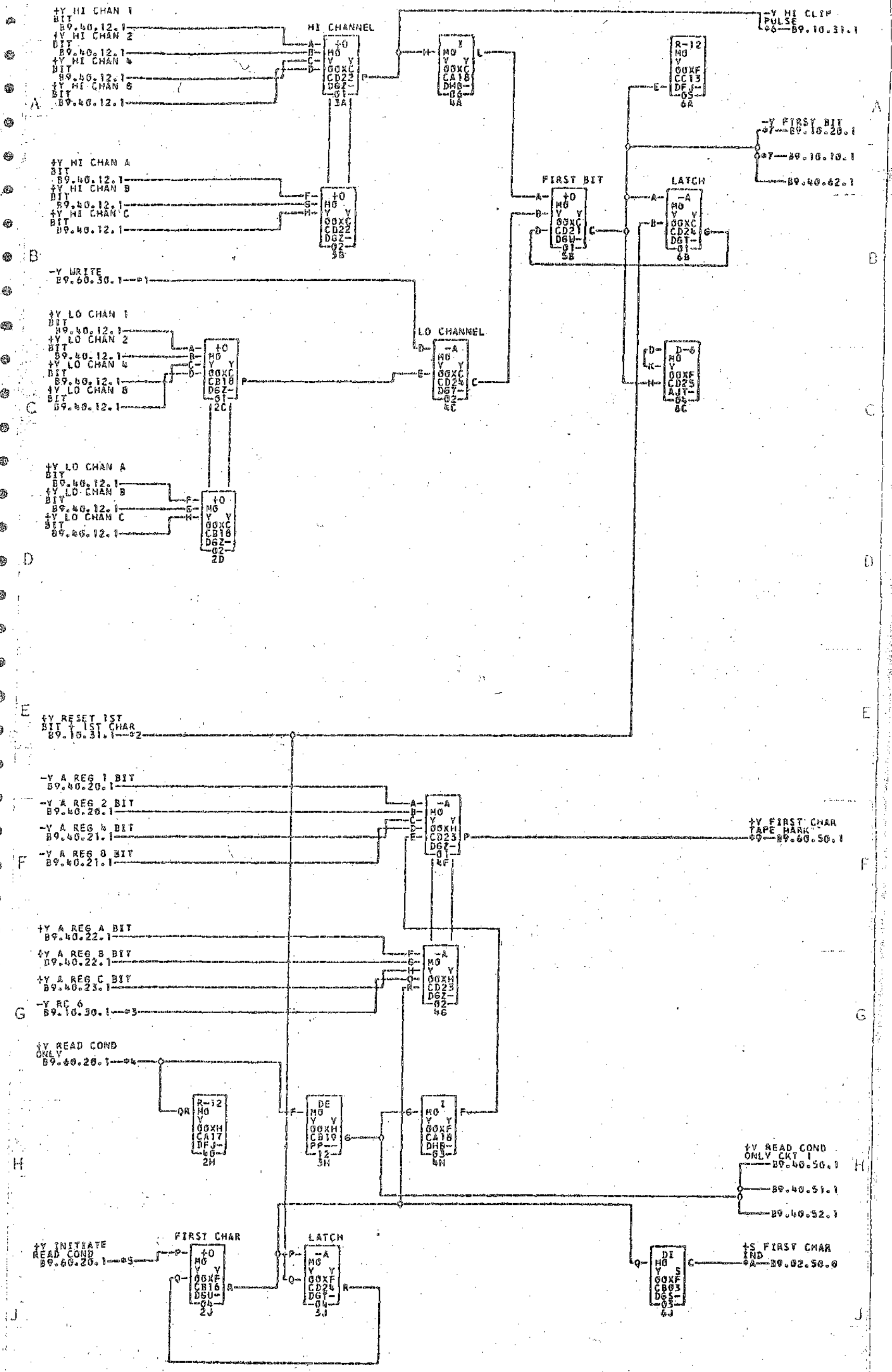
- \*1--00XC02A
- \*2--00XC020
- \*3--00XC02C
- \*4--00XC026
- \*5--00XC02F
- \*6--00XC010
- \*7--00XC02D
- \*8--00XC028
- \*9--00XC024
- \*A--00XC024
- \*B--00XC02E
- \*C--00XC016
- \*D--00XC02N
- \*E--00XC02P
- \*F--00XC018
- \*G--00XC01H
- \*H--00XC02F

0761272

READ RECOGNITION

TAU 9

B9.40.60.1



- #1--00XC01N
- #2--00XC02B
- #3--00XC02K
- #4--00XC01R
- #5--00XC01H
- #6--00XC02A

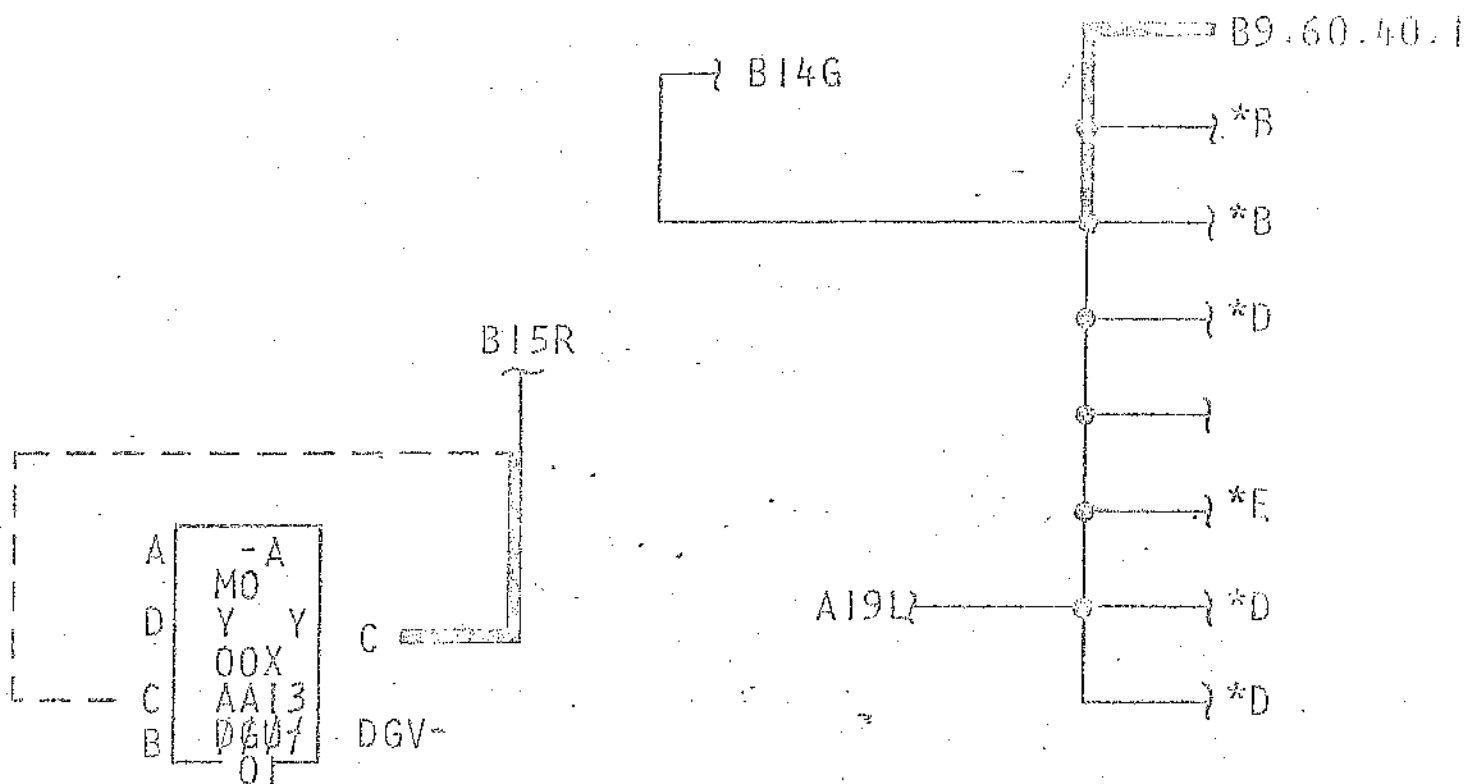
TAG	DATE	F.C.NO.	TAG	DATE	F.C.NO.	TAG	DATE	F.C.NO.	TAG	DATE	F.C.NO.
A	11-16-64	109350E	B	12-14-64	109355	C	01-05-61	109366	D	03-29-61	110435
E	04-12-61	110450E	F	05-07-61	110460	G	06-16-61	110468	H	08-04-61	112228

SURE FULL ERASE OF PREVIOUS RECORD

SHEET 5 OF 10

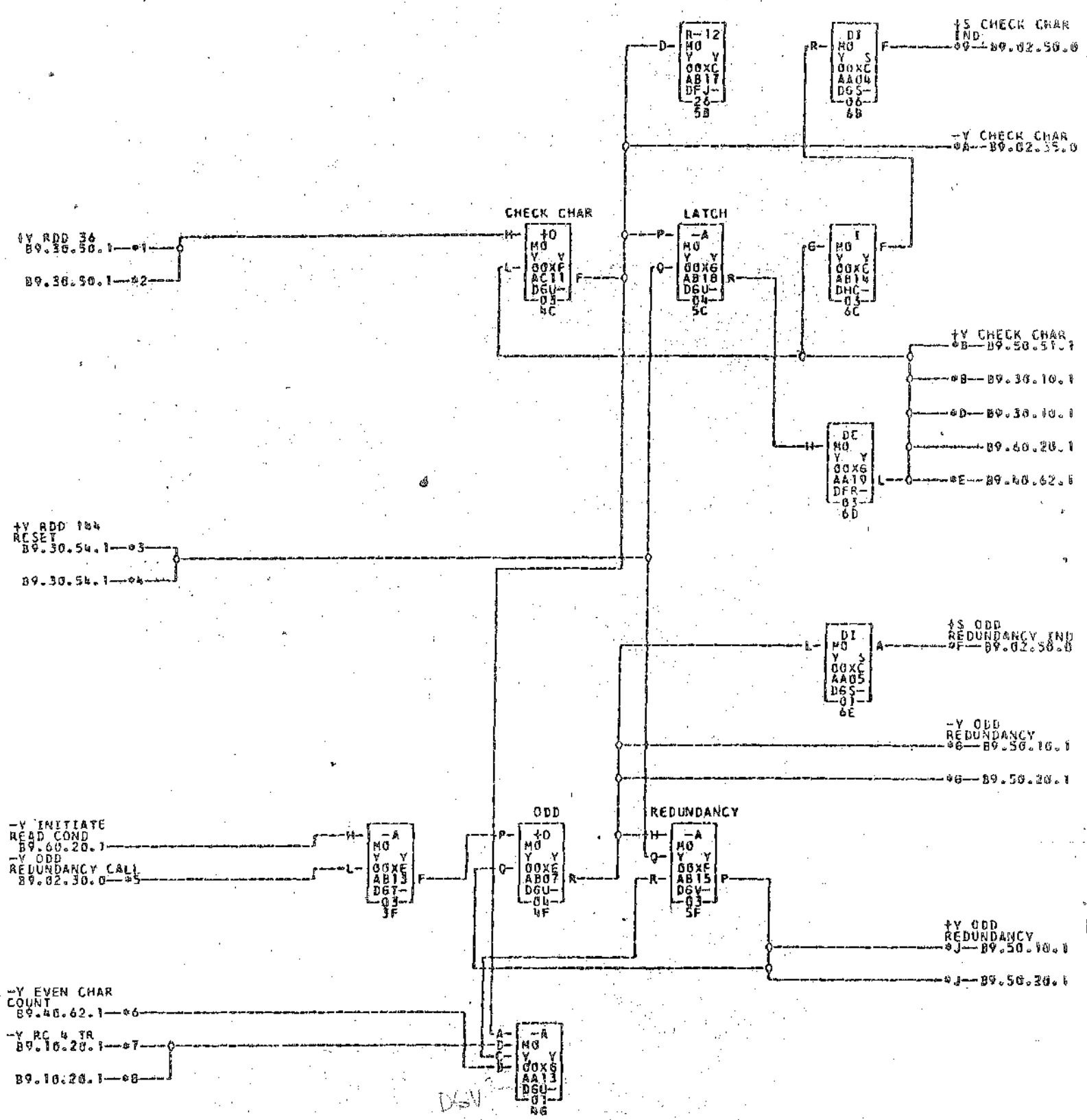
8.2 LOGIC DIAGRAMS:

8.2.1 ALTER LOGIC B9.40.61.1 (761212), GATE 00XA AS FOLLOWS:



\*B-00XAA01R  
 \*D-00XAA26R  
 \*E-00XAF01K

DATE	12-10-62	1-23-63	2-21-63	6-20-63	5-5-64	5-26-64
NO.	115300E	116778	116791	117136	117966	114206



DSV

see EC on previous page

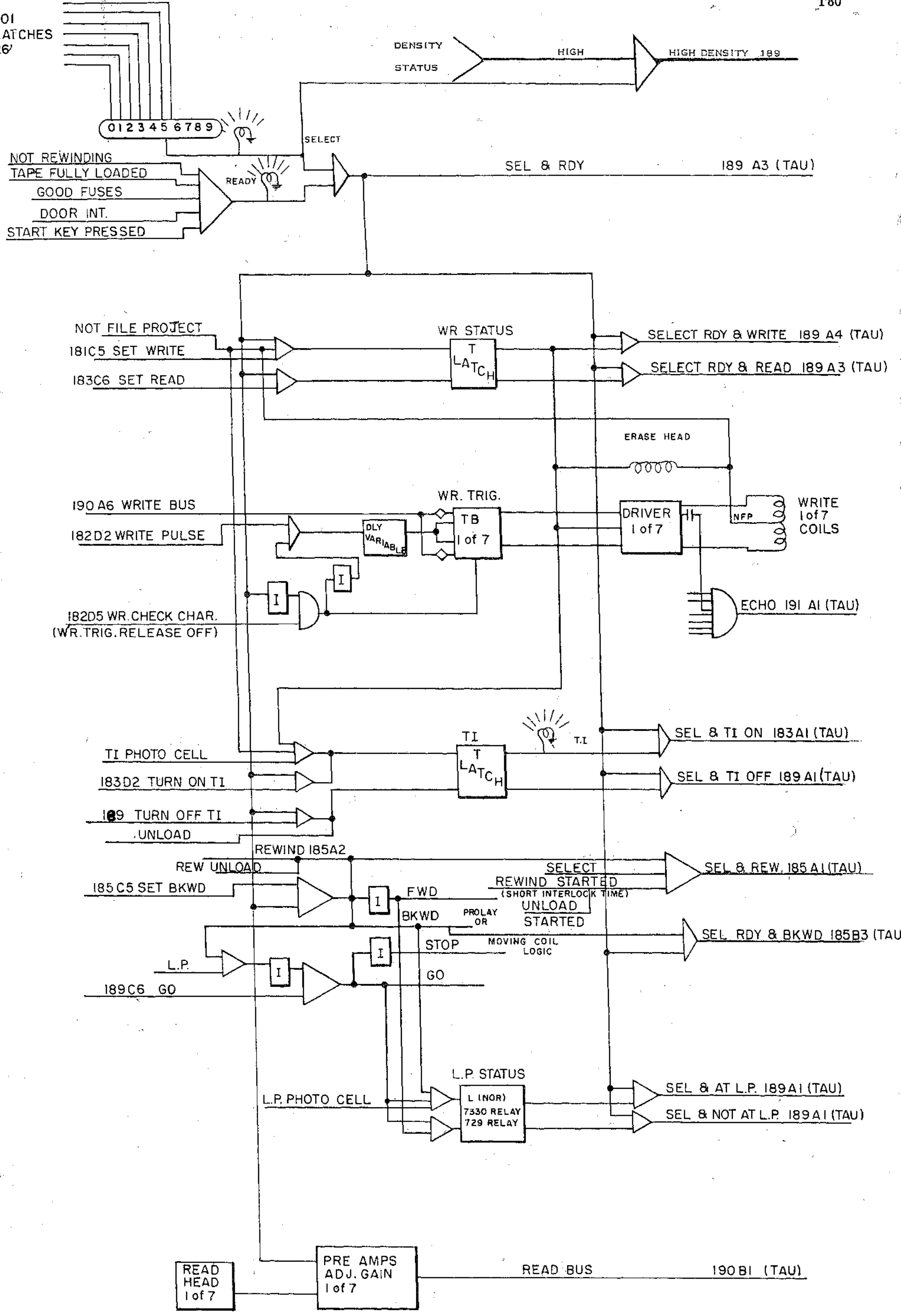
- \*1--00XAC01N
- \*2--00XAC26N
- \*3--00XAC01M
- \*4--00XAC26M
- \*5--00XAC02L
- \*6--00XAF01L
- \*7--00XAF02M
- \*8--00XAE26M
- \*9--00XAA02A
- \*A--00XAC026
- \*B--00XAC01R
- \*C--00XAF01K
- \*F--00XAA02B
- \*6--00XAF01H
- \*J--00XAF01G
- \*D--00XAA26R

TAG	DATE	E.C.NO.	TAG	DATE	E.C.NO.	TAG	DATE	E.C.NO.	TAG	DATE	E.C.NO.
A	11-16-60	109350C	B	12-17-60	109355	C	01-05-61	109364	D	01-20-61	109385
E	03-30-61	110595	F	04-13-61	110440	G	08-04-61	112226	H	09-11-61	112226C

COMMENTS

00XA 02B2 1401  
00XA 14D3-1410

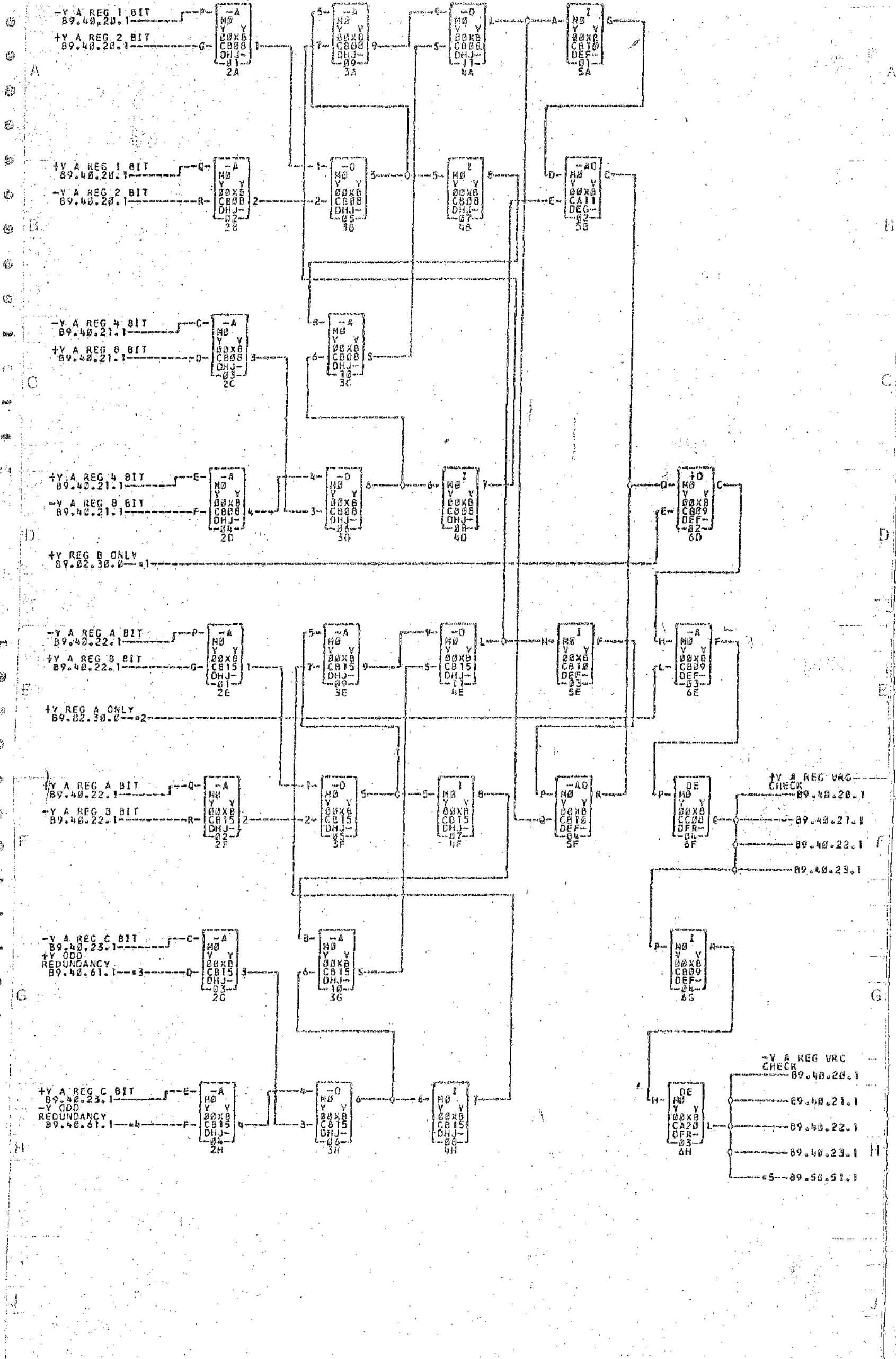
1401 J.LATCHES 126



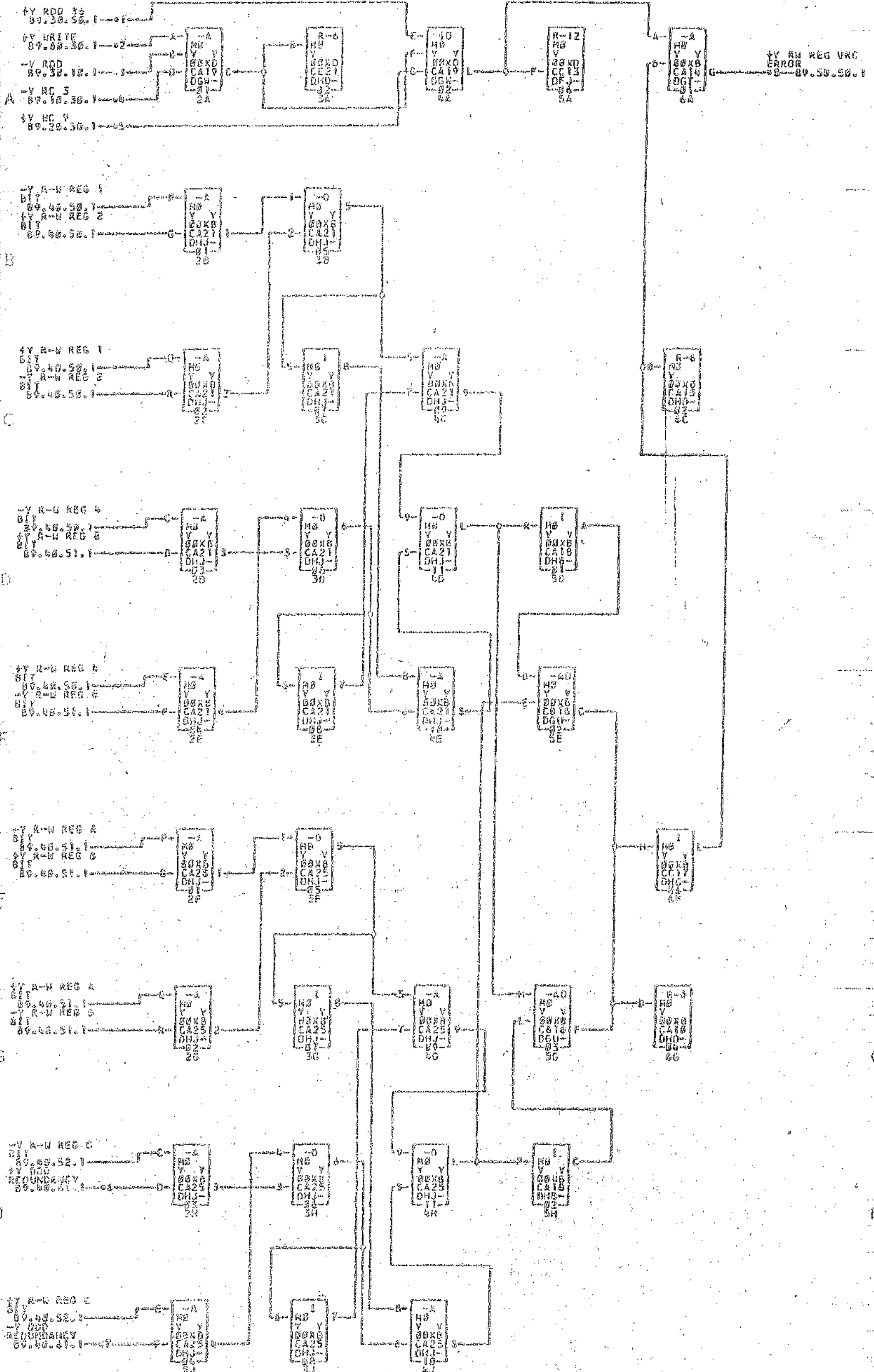
THIS ILD IS REPRESENTATIVE OF ALL 729'S AND 7330 RESPONSE LOGIC



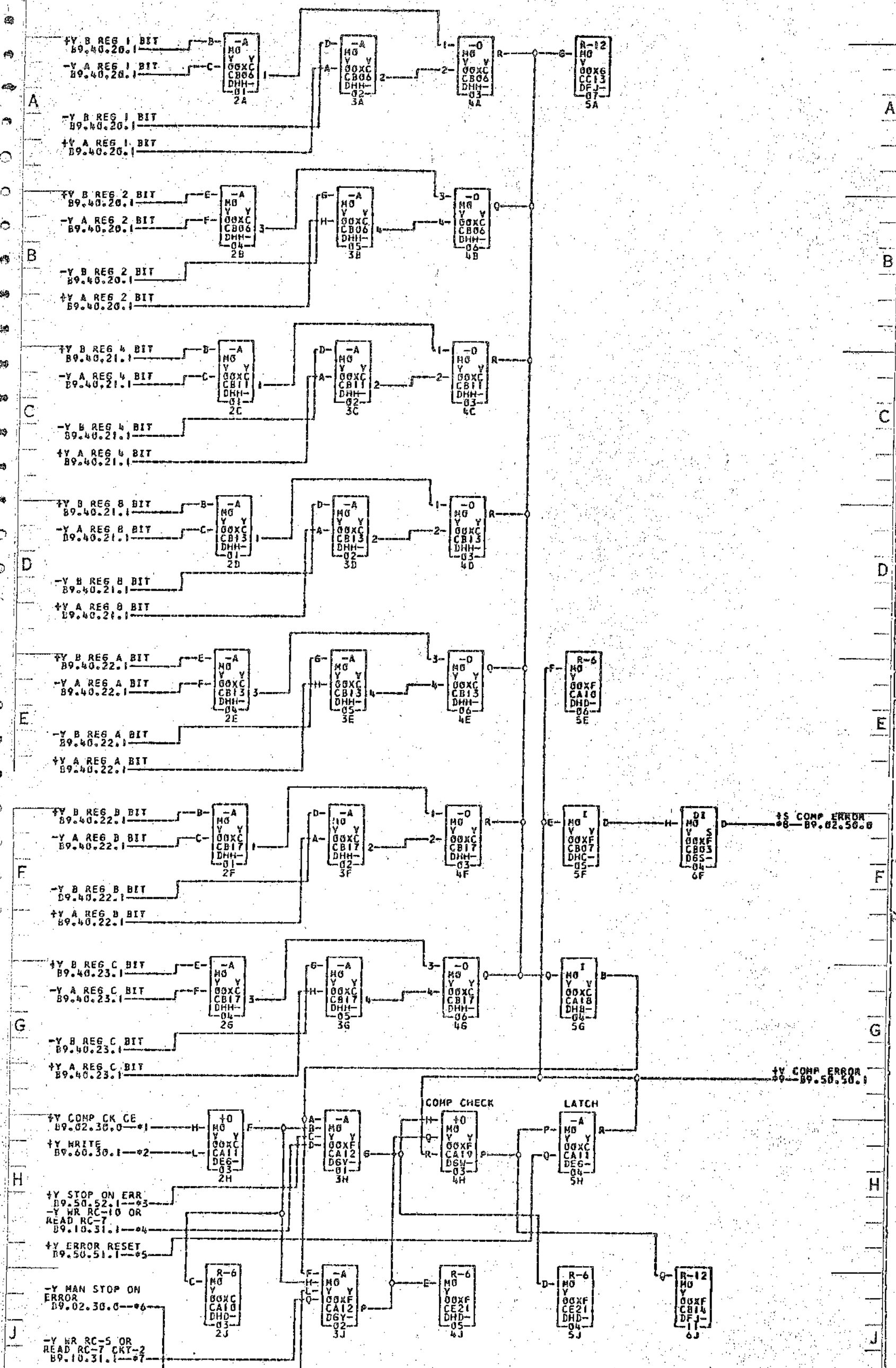




- \*1--00XC001K
- \*2--00XC001L
- \*3--00XC001M
- \*4--00XC001N
- \*5--00XC001O

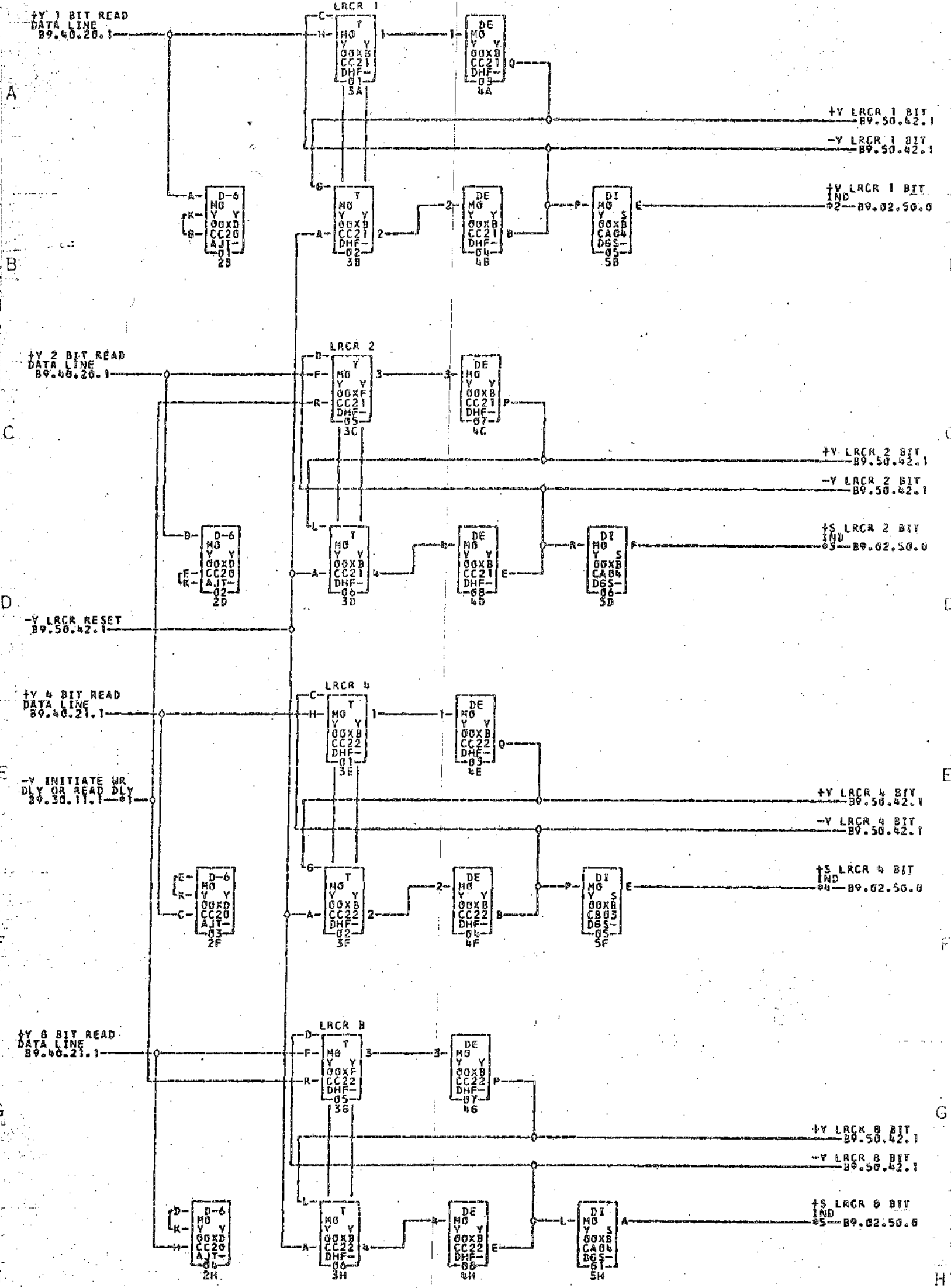


01--88XC68G    02--88XC68H    03--88XC68E    04--88XC68F    05--88XC68N    06--88XC68B



- \*1--00XCBO1H
- \*2--00XCBO1E
- \*3--00XCBO1O
- \*4--00XCBO2A
- \*5--00XCBO1F
- \*6--00XCBO2K
- \*7--00XCA02D
- \*8--00XCA01R
- \*9--00XCBO1A

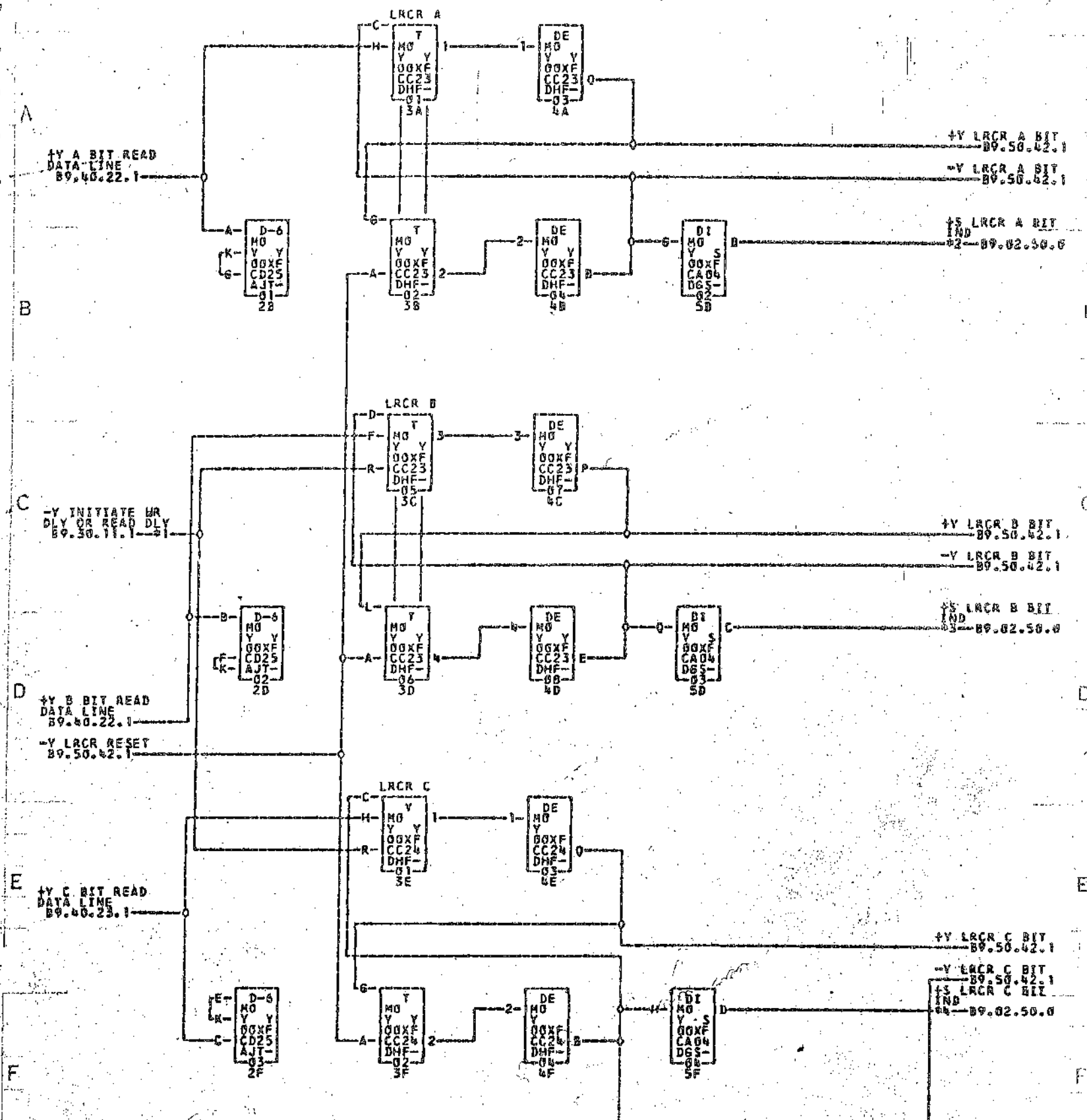
TAG	DATE	E.C.NO.	TAG	DATE	E.C.NO.	TAG	DATE	E.C.NO.	TAG	DATE	E.C.NO.
A	11-14-60	109350E	B	12-14-60	109355	C	01-05-61	109364	D	03-29-61	110635
E	04-12-61	110440	F	05-09-61	110444	G	06-14-61	110448			



\*1--00XCE02H      \*2--00XCAB1H      \*3--00XCAB1K      \*4--00XCAB1L      \*5--00XCAB1H

NO.	DATE	E.C. NO.	NO.	DATE	E.C. NO.	NO.	DATE	E.C. NO.	NO.	DATE	E.C. NO.
00XC	1001	1010	A	11-16-60	109350E	B	01-05-61	109364	C	01-23-61	109385
02B0	1406		E	05-23-61	110447	F	08-04-61	112228	D	04-12-61	110440

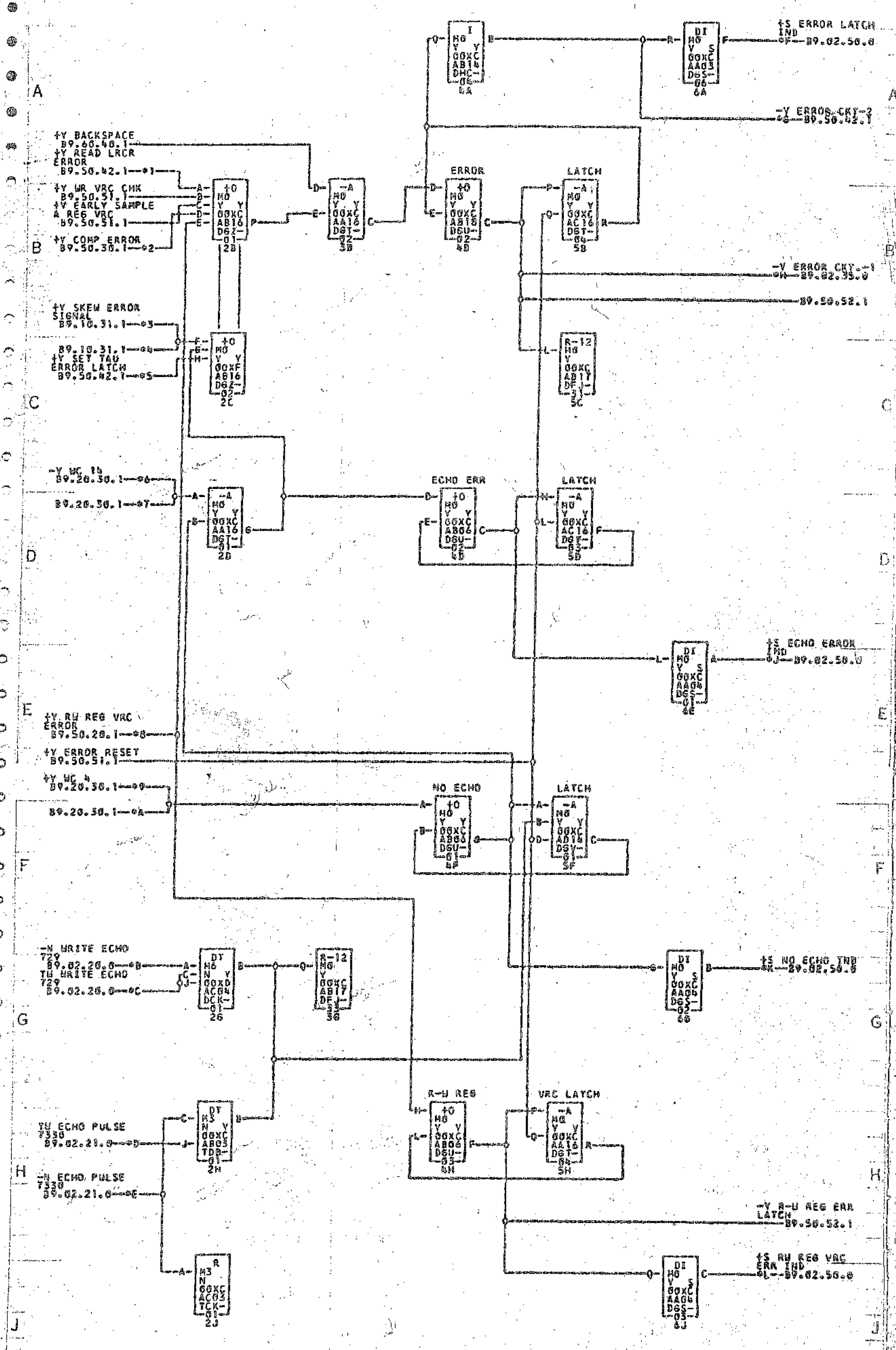
ITEM



\*1--00XC02H    \*2--00XC01N    \*3--00XC01P    \*4--00XC010

AG	DATE	F.C.NO.	AG	DATE	F.C.NO.	AG	DATE	F.C.NO.	AG	DATE	F.C.NO.
00XC	1961	1456	00XC	01-23-61	109358	00XC	01-23-61	109358	00XC	01-23-61	109358
00XC	0226	1456	00XC	01-23-61	109358	00XC	01-23-61	109358	00XC	01-23-61	109358





+Y BACKSPACE  
 B9.60.40.1  
 +Y READ LRCR  
 ERROR  
 B9.50.42.1 → \*1  
 +Y WR VRC CHK  
 B9.50.51.1  
 +Y EARLY SAMPLE  
 A REG VRC  
 B9.50.51.1  
 +Y COMP ERROR  
 B9.50.30.1 → \*2

+Y SKEW ERROR  
 SIGNAL  
 B9.10.31.1 → \*3  
 +Y SET TAU  
 ERROR LATCH  
 B9.50.42.1 → \*5

-Y WC 1b  
 B9.20.50.1 → \*4  
 B9.20.50.1 → \*7

+Y RU REG VRC  
 ERROR  
 B9.50.20.1 → \*8  
 +Y ERROR RESEY  
 B9.50.51.1  
 +Y WC 4  
 B9.20.30.1 → \*9  
 B9.20.30.1 → \*A

-N WRITE ECHO  
 B9.02.20.0 → \*B  
 -N WRITE ECHO  
 B9.02.20.0 → \*C

-N ECHO PULSE  
 B9.02.21.0 → \*D  
 -N ECHO PULSE  
 B9.02.21.0 → \*E

- \*1--00XAD938
- \*2--00XAF01A
- \*3--00XAD01C
- \*4--00XAD26C
- \*5--00XAD03K
- \*6--00XAC01Q
- \*7--00XAC200
- \*8--00XAF01C
- \*9--00XAC01E
- \*A--00XAC20K
- \*B--00XAD03H
- \*C--00XAF05J
- \*D--00XAD03K
- \*E--00XAF05K
- \*F--00XAA02C
- \*G--00XAD03H
- \*H--00XAC02H
- \*I--00XAF05J
- \*J--00XAA02D



A

B

C

D

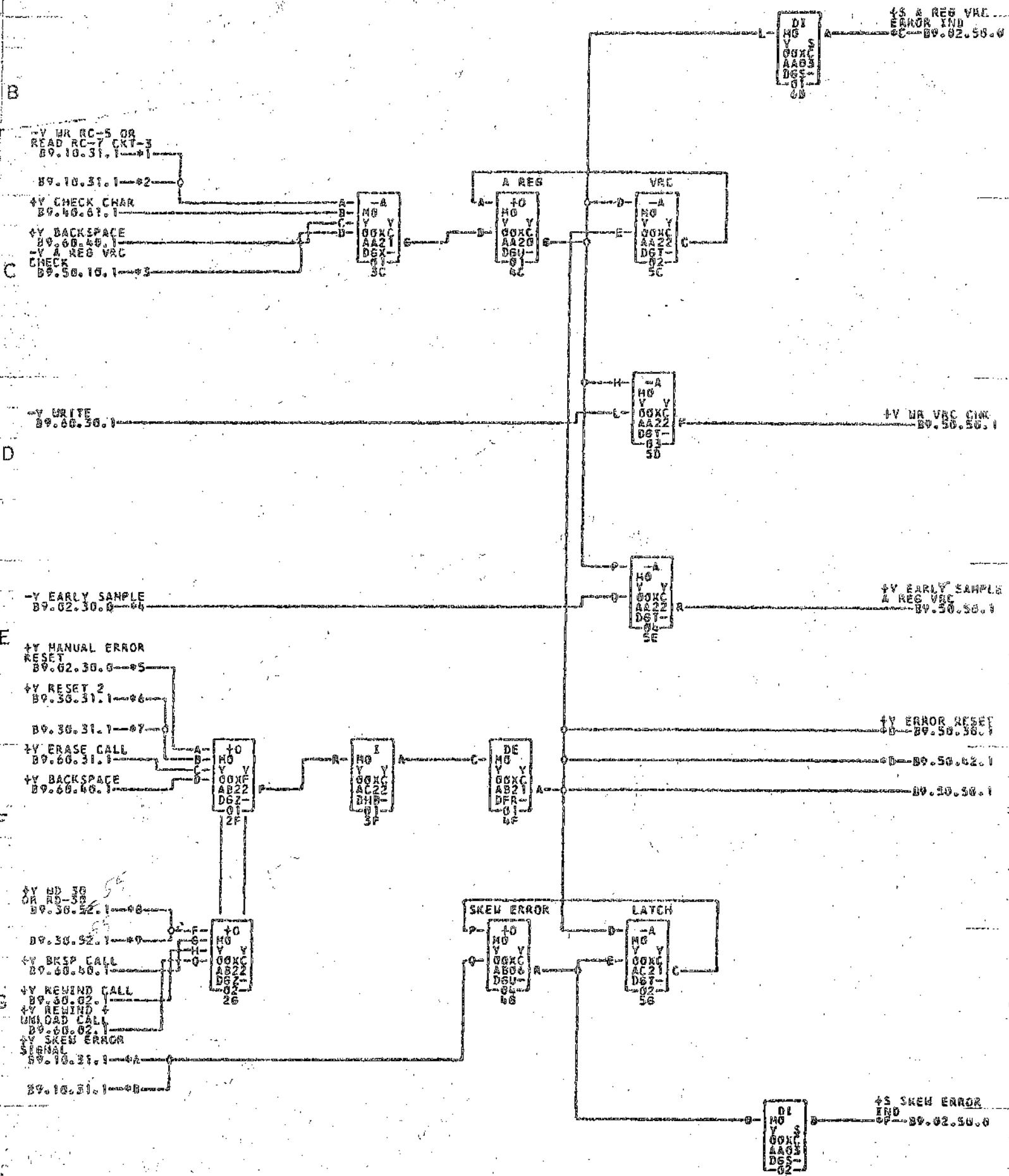
E

F

G

H

J



- \*1--00XAD015
- \*2--00XAD24B
- \*3--00XAF01D
- \*4--00XAD02L
- \*5--00XAD02H
- \*6--00XAC01P
- \*7--00XAC26P
- \*8--00XAF02B
- \*9--00XAE24B
- \*A--00XAD01C
- \*B--00XAD26C
- \*C--00XAD026
- \*D--00XAD02H
- \*E--00XAD02H
- \*F--00XAD02H

TAG		DATE	E.C. NO.	TAG		DATE	E.C. NO.	TAG		DATE	E.C. NO.	TAG		DATE	E.C. NO.
888A		12-18-61	109385C	888A		12-18-61	109385C	888A		01-20-61	109385C	888A		01-20-61	109385C



A

A

-Y MAN STOP ON  
ERROR  
B9.02.30.6-01

-Y ERROR CKT-1  
B9.30.50.1



B

B

C

C



+Y STOP ON ERR  
REG  
02-B9.60.52.1

02-B9.56.30.1

B9.60.02.1

B9.60.20.1

04-B9.10.31.1

05-B9.10.31.1

-Y R-M VRC ERR  
LATCH  
B9.50.50.1



+Y FREEZE R-M  
REG  
06-B9.40.52.1

E

E

F

F

G

G

H

H

J

J

\*1-00XAD02P

\*2-00XAF01Q

\*4-00XAE26R

\*5-00XAF02R

\*6-00XAD03D

00XA 0282 1491  
00XA 1603 1410

COMMENTS

TAB DATE E.C.NO. TAB DATE E.C.NO.  
A 11-10-60 109350C B 12-14-60 109355

TAB DATE E.C.NO. TAB DATE E.C.NO.  
C 01-05-61 109364 D 08-06-61 112226

TAB DATE E.C.NO. TAB DATE E.C.NO.  
E 01-05-61 109364 F 08-06-61 112226

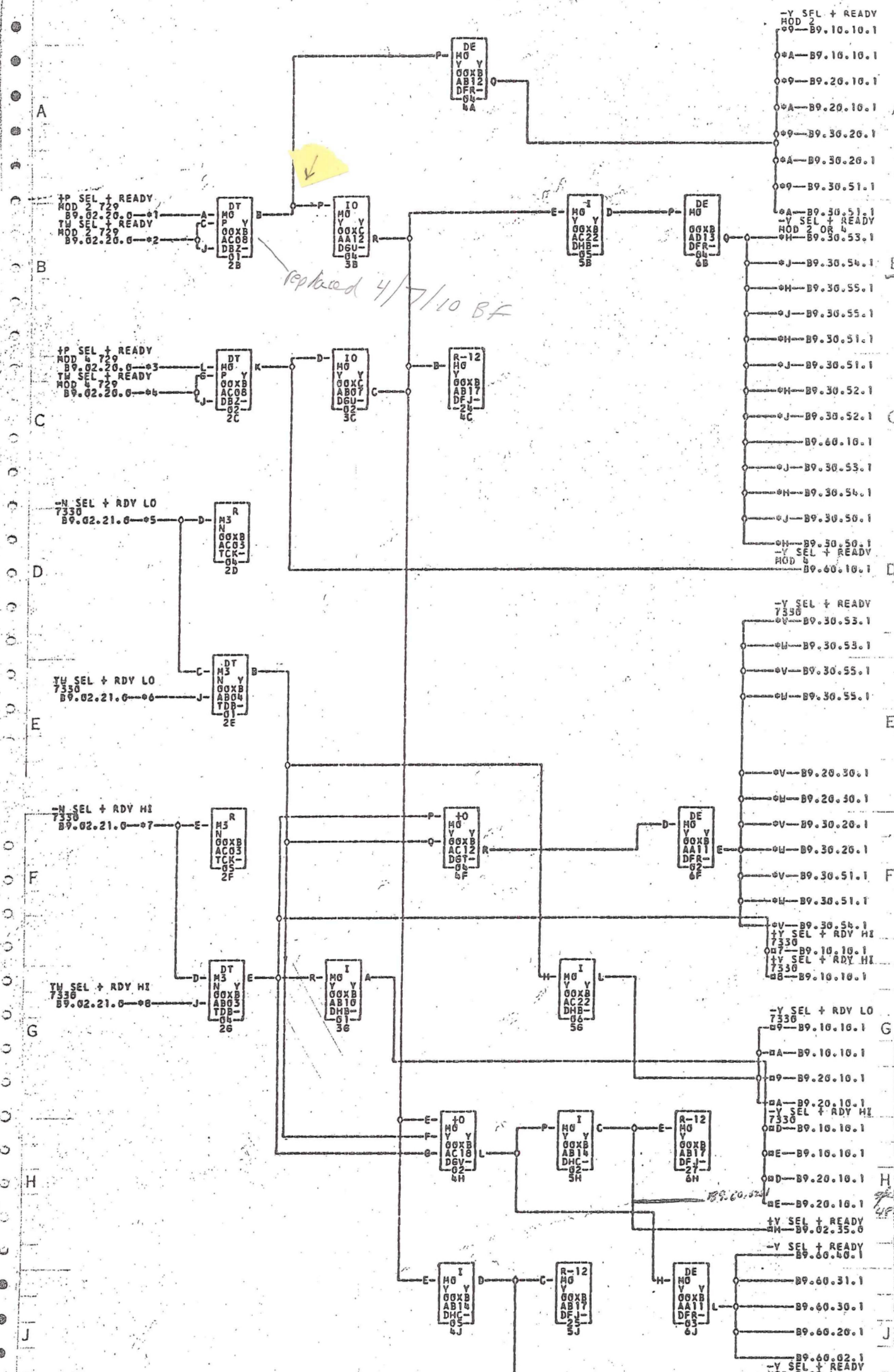
IPM

0761216

SELECT + READY

TAU

B9.60.01.1

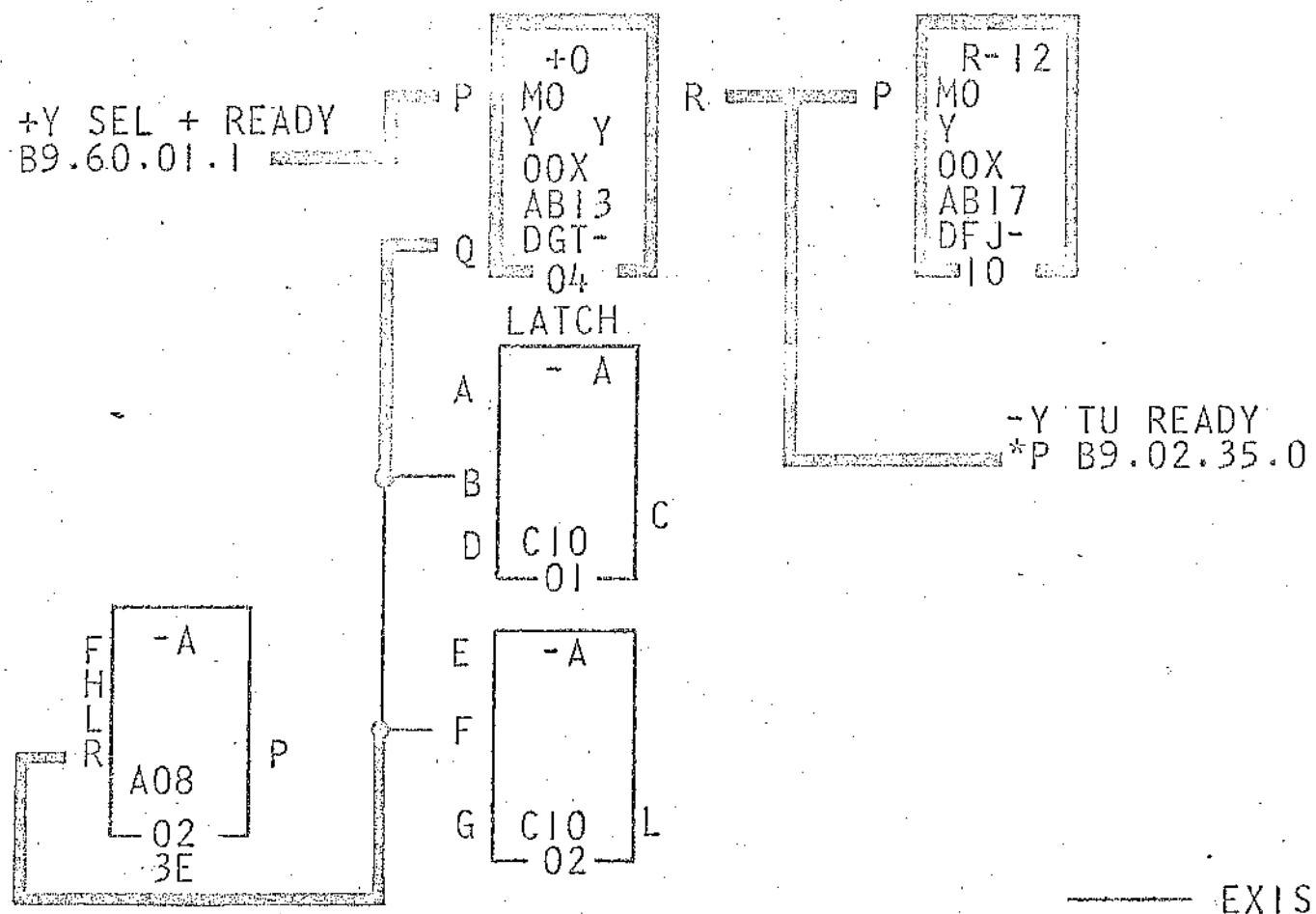


- \*1--00XAE04F
- \*2--00XAE04E
- \*3--00XAE04H
- \*4--00XAE04G
- \*5--00XAE02F
- \*6--00XAE02E
- \*7--00XAE02H
- \*8--00XAE026
- \*9--00XAA01K
- \*A--00XAA01D
- \*J--00XAA26D
- \*B--00XAA26A
- \*M--00XAA02H
- \*N--00XAA01A
- \*P--00XAD02N
- \*Q--00XAA26H
- \*R--00XAD03E
- \*S--00XAD03E
- \*T--00XAB016
- \*U--00XAB266

EVENT NEGLECT OF A REWIND UNLOAD CALL

REFERENCE	Fig.	Clk. Col.
Drawing		

8.1.2 ALTER LOGIC B9.60.02.1 (761217) GATE 00XA AS FOLLOWS:



\*P--00XAC02P

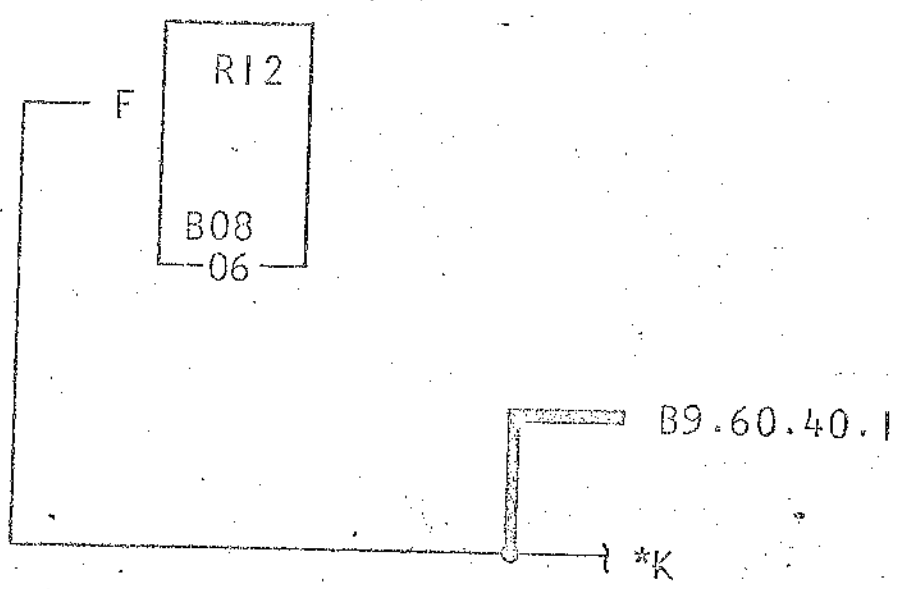
EXISTING  
 ADDED

DATE	11-21-62	3-24-64						DATE TYPED
NO.	115300F	114108						

ENSURE FULL ERASE OF PREVIOUS RECORD

REFERENCE	Fig.	Clk. Col.
Drawing		

8.2.2 ALTER LOGIC B9.60.02.1 (761217), GATE 00XA, AS FOLLOWS:



\*K-00XAC02E

ADD. D  
 EXISTING

DATE	11-24-62	12-10-62	1-23-63	2-21-63	6-20-63	5-5-64	5-26-64	
NO.	115300E	116776	116791	117136	117966	114208		





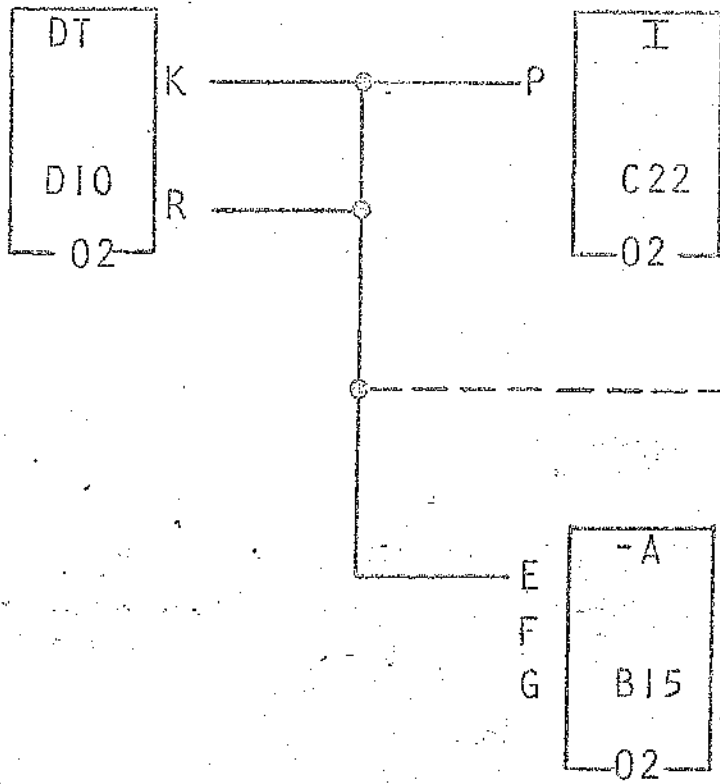
NAME

INSURE FULL ERASE OF PREVIOUS RECORD

SHEET 7 OF 10

REFERENCE	Fig.	Ck. Col.
Drawing		

8.2.3 ALTER LOGIC B9.60.10.1 (761218), GATE 00XA AS FOLLOWS:



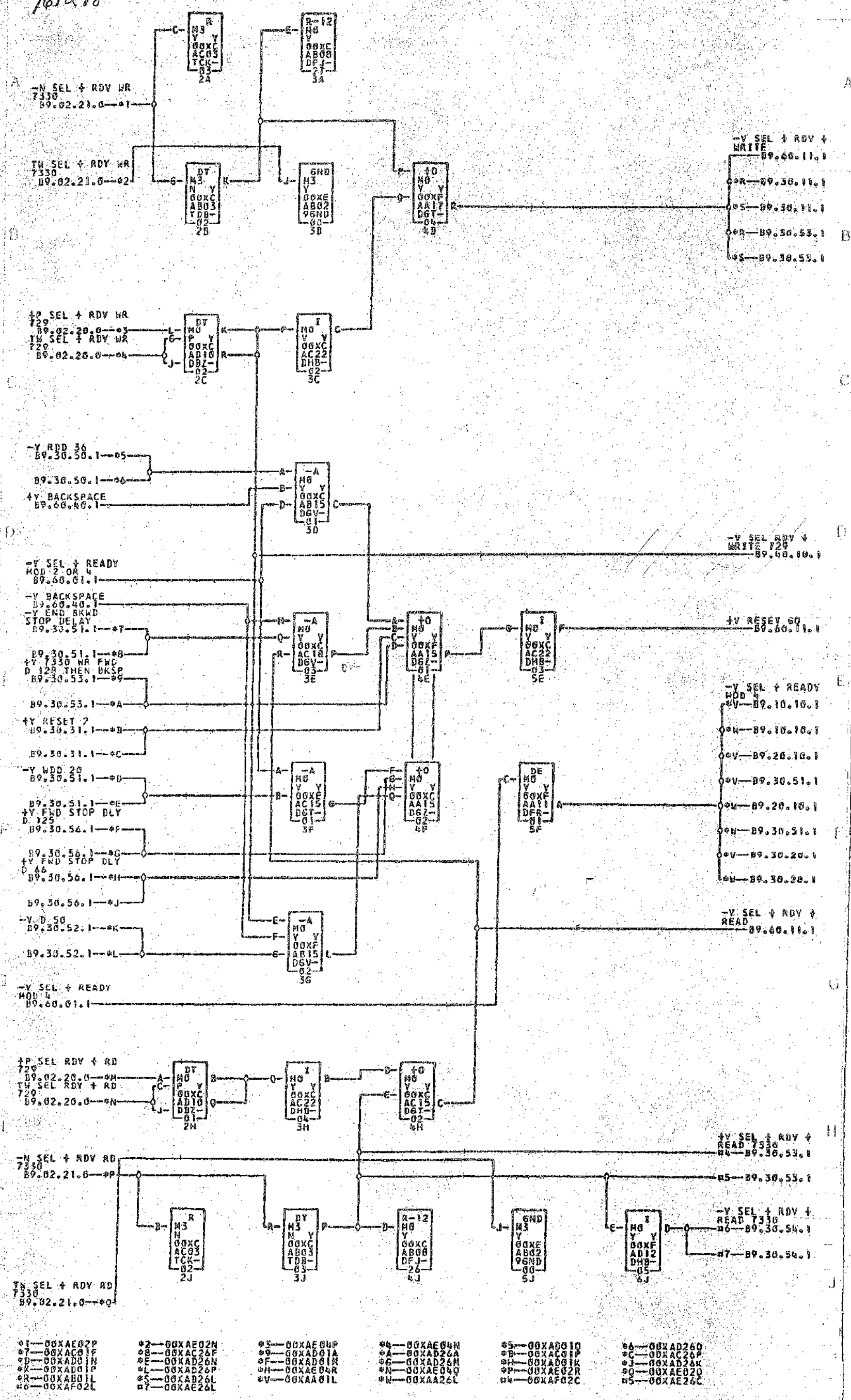
TY SEV RBY /  
WRITE 729  
B9/60/10/1

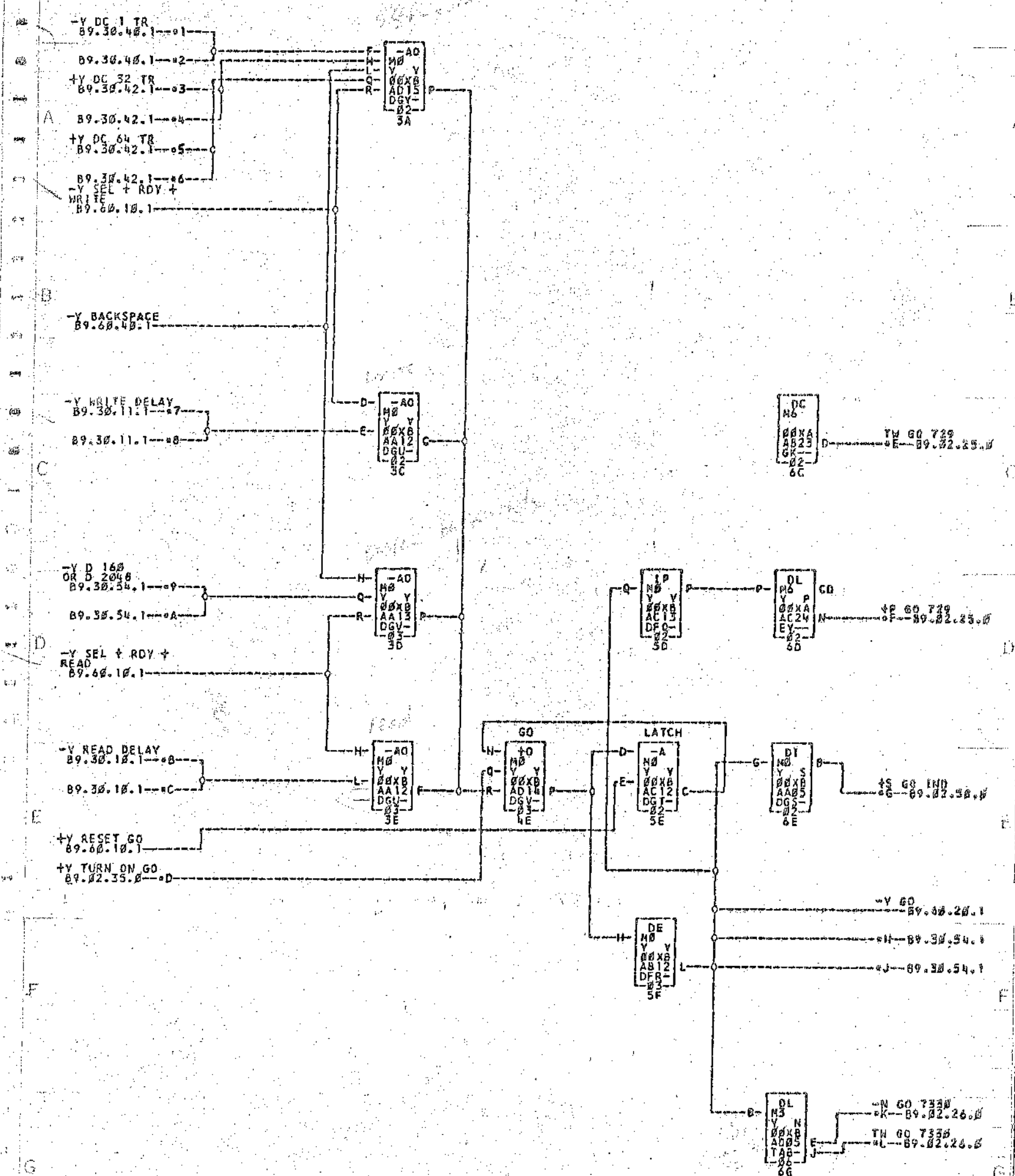
— EXISTING  
- - - REMOVED

DATE	10-24-62	12-10-62	1-23-63	2-21-63	6-20-63	5-5-64	5-26-64	DATE TYPED
NO.	115300E	116776	116781	117136	117966	114206	114209	

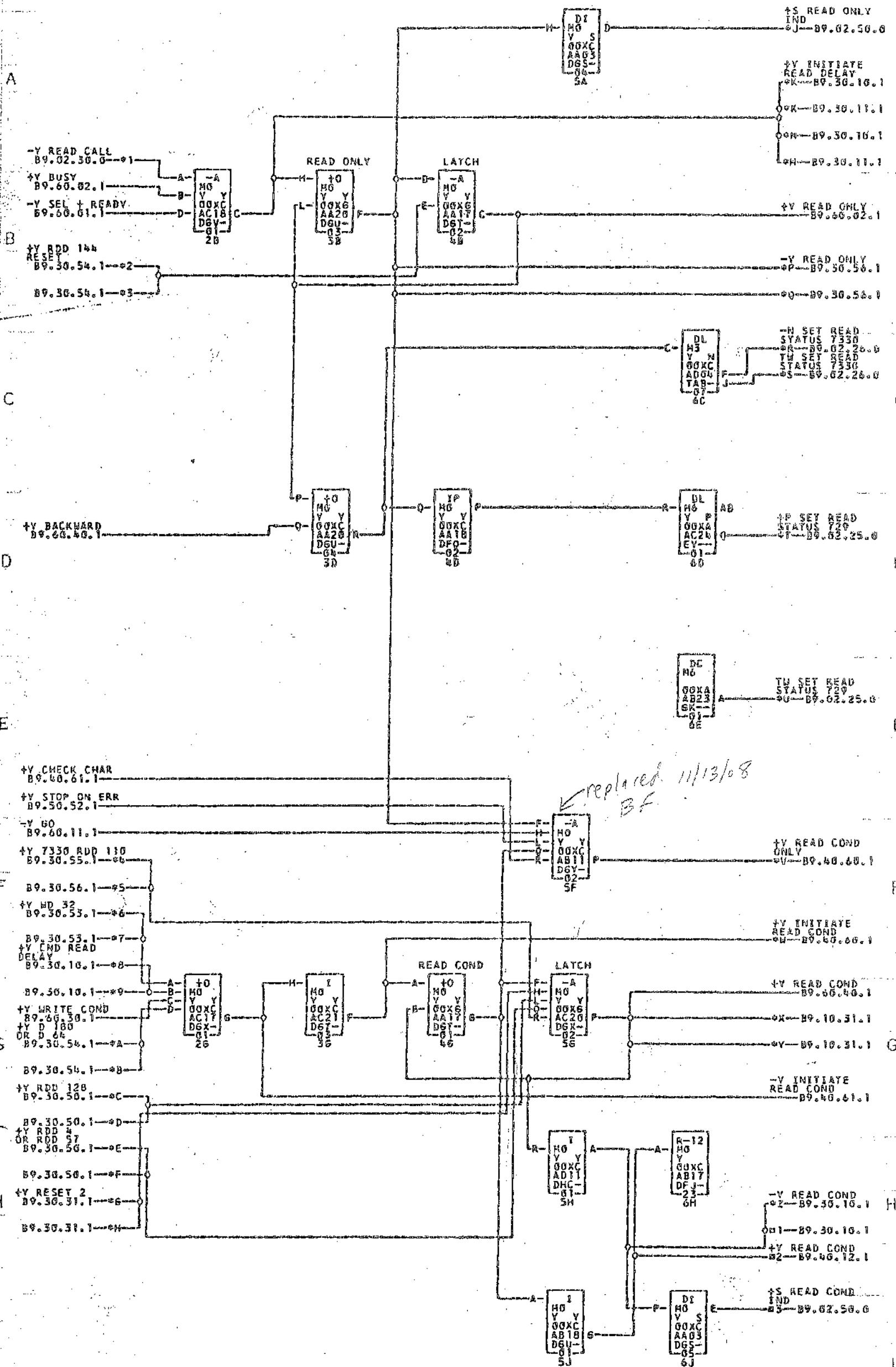
761218

89.66.10.1



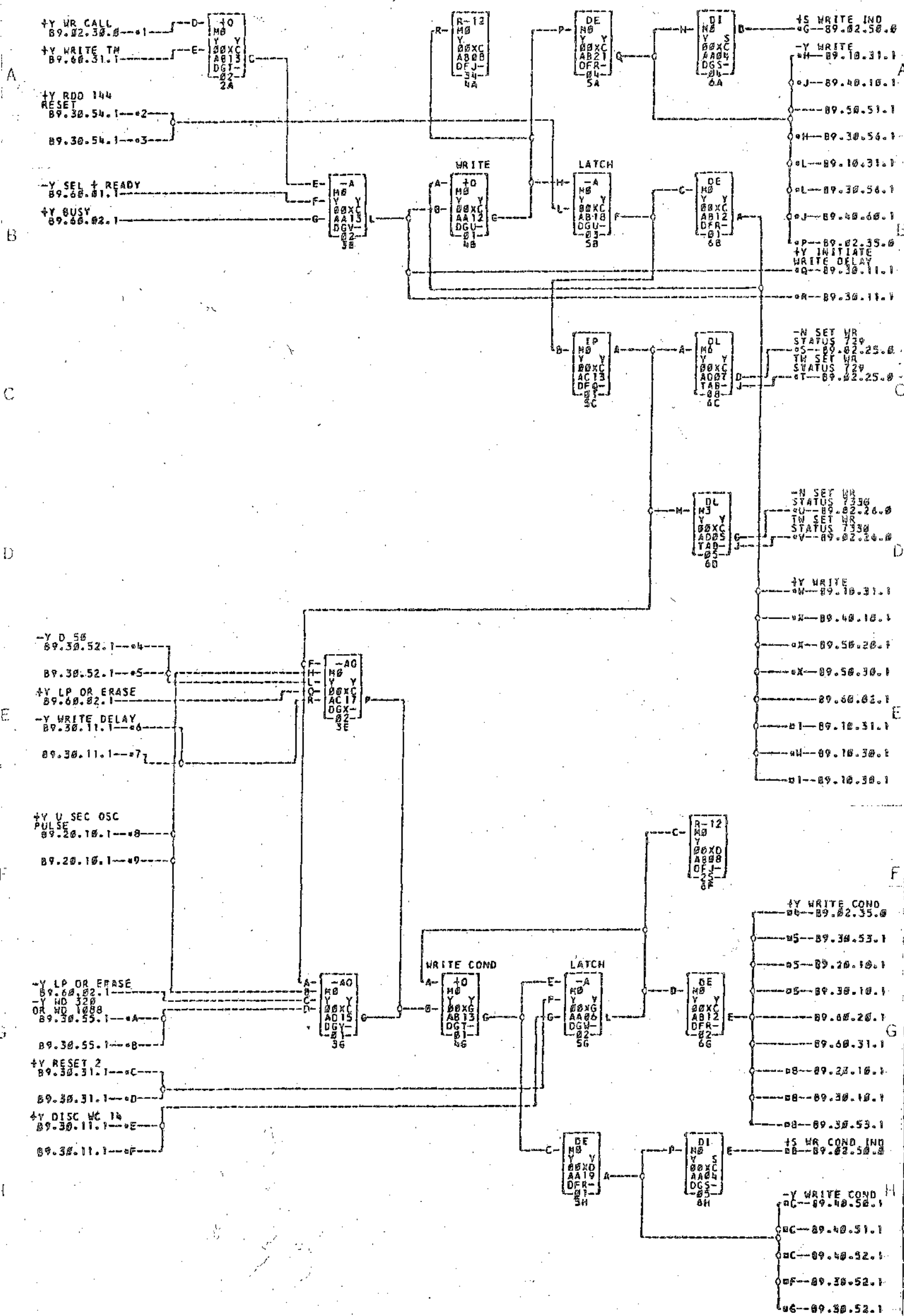


- \*1--88XAD010
- \*2--88XAD240
- \*3--88XAD01E
- \*4--88XAD24E
- \*5--88XAD01F
- \*6--88XAD24F
- \*7--88XAD01G
- \*8--88XAD24G
- \*9--88XAD01H
- \*A--88XAD24H
- \*B--88XAD01I
- \*C--88XAD24I
- \*D--88XAD01J
- \*E--88XAD24J
- \*F--88XAD01K
- \*G--88XAD24K
- \*H--88XAD01L
- \*I--88XAD24L
- \*J--88XAD01M
- \*K--88XAD24M
- \*L--88XAD01N
- \*M--88XAD24N
- \*N--88XAD01O
- \*O--88XAD24O
- \*P--88XAD01P
- \*Q--88XAD24P
- \*R--88XAD01Q
- \*S--88XAD24Q
- \*T--88XAD01R
- \*U--88XAD24R
- \*V--88XAD01S
- \*W--88XAD24S
- \*X--88XAD01T
- \*Y--88XAD24T
- \*Z--88XAD01U
- \*AA--88XAD24U
- \*AB--88XAD01V
- \*AC--88XAD24V
- \*AD--88XAD01W
- \*AE--88XAD24W
- \*AF--88XAD01X
- \*AG--88XAD24X
- \*AH--88XAD01Y
- \*AI--88XAD24Y
- \*AJ--88XAD01Z
- \*AK--88XAD24Z

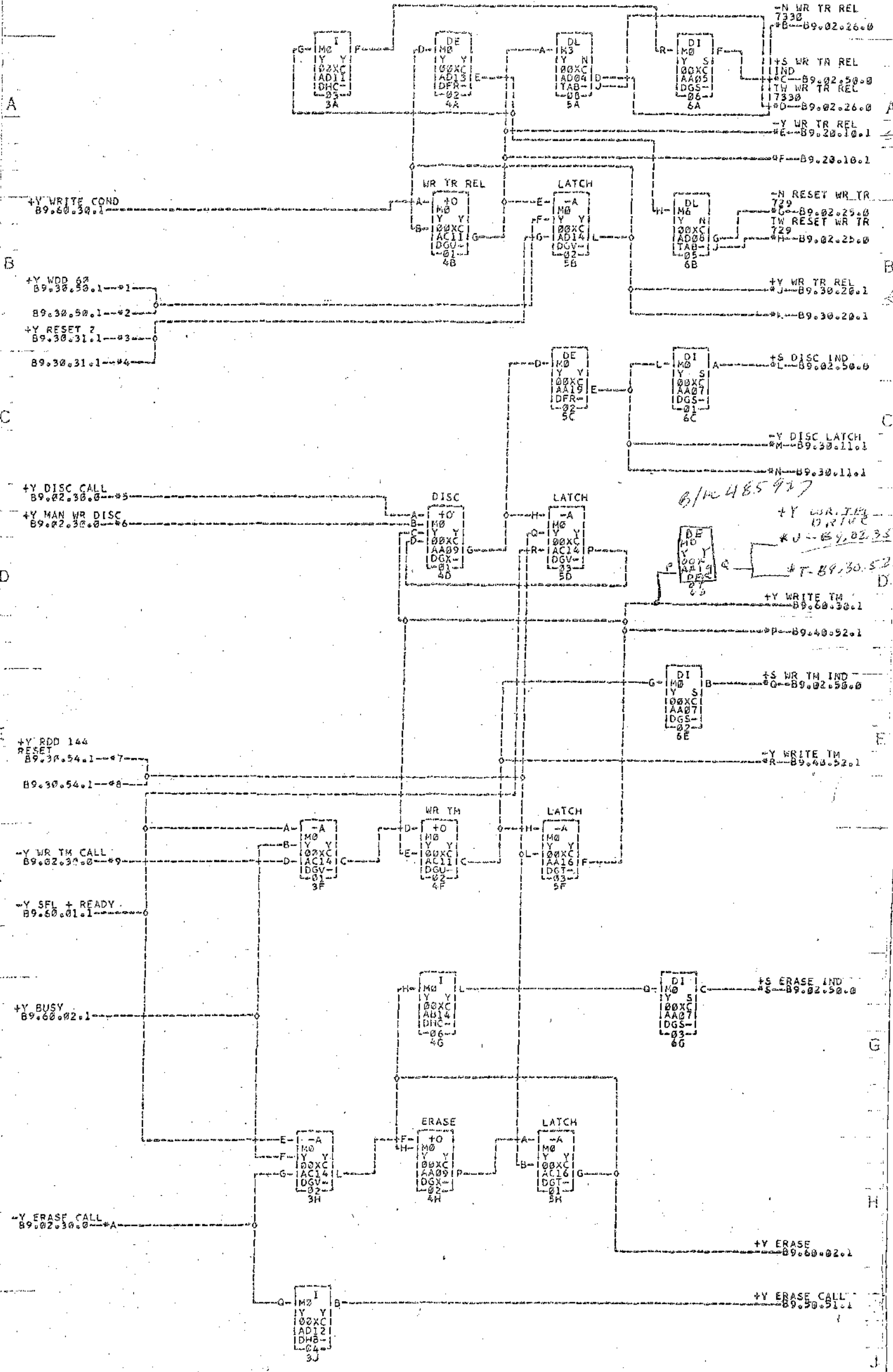


- \*1--00XAD026      \*2--00XAC01M      \*3--00XAC26M      \*4--00XAE260      \*5--00XAF020      \*6--00XAF02F
- \*7--00XAE26F      \*8--00XAB01A      \*9--00XAB26R      \*A--00XAC01B      \*B--00XAC26B      \*C--00XAC01E
- \*D--00XAC26E      \*E--00XAC01C      \*F--00XAC26C      \*G--00XAC01P      \*H--00XAC26C      \*J--00XAC020
- \*K--00XAA01M      \*M--00XAA26M      \*P--00XAF02D      \*Q--00XAE26D      \*R--00XAC02B      \*S--00XAE02A
- \*T--00XAE04B      \*U--00XAE04A      \*V--00XAF01R      \*W--00XAF01M      \*X--00XAF02K      \*Y--00XAE26K
- \*Z--00XAC01A      \*11--00XAC26A      \*12--00XAF01P      \*13--00XAA02P





- 01--00XA002H      02--00XAC01H      03--00XAC26M      04--00XAD01P      05--00XAD26P      06--00XAD01G
- 07--00XAD26G      08--00XAB01K      09--00XAB26K      0A--00XAB01M      0B--00XAB26H      0C--00XAC01P
- 0D--00XAC26P      0E--00XAB01N      0F--00XAB26N      0G--00XAB02A      0H--00XAB01B      0J--00XAF01N
- 0L--00XAA26B      0P--00XAD02R      0Q--00XAB01F      0R--00XAB26F      0S--00XAE040      0T--00XAF04C
- 0U--00XAE02D      0V--00XAE02C      0W--00XAA01F      0X--00XAA26P      0Y--00XAA02K      0N--00XAD02K
- 05--00XAB01E      0B--00XAB26E      08--00XAA02R      0C--00RAD03F      0F--00XAA01H      0G--00XAA26H



*Handwritten notes:*  
 B/m 48597  
 +Y WR TR IND  
 DRTU  
 \*J - B9.02.35  
 \*T - B9.30.52

- \*1--00XAB01P    \*2--00XAB26P    \*3--00XAC01P    \*4--00XAC26P    \*5--00XAD02C    \*6--00XAD02D
- \*7--00XAC01M    \*8--00XAC26M    \*9--00XAD02E    \*A--00XAD02F    \*B--00XAE01R    \*C--00XAB02B
- \*D--00XAE01Q    \*E--00XAC01G    \*F--00XAA26G    \*G--00XAE03R    \*H--00XAE03Q    \*J--00XAB01B
- \*K--00XAB26B    \*L--00XAB02C    \*M--00XAB01A    \*N--00XAB26A    \*P--00XAD03C    \*Q--00XAB02D
- \*R--00XAD03A    \*S--00XAB02E

TAG	DATE	E.C.NO.	TAG	DATE	E.C.NO.	TAG	DATE	E.C.NO.	TAG	DATE	E.C.NO.
00XA 0202 14E1	1A 11-16-60	109350	00XA 16D1 141B	1B 12-14-60	109355		1C 01-05-61	109364			

NAME

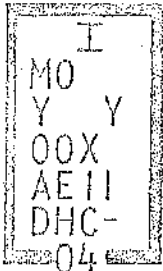
PURE FULL ERASE OF PREVIOUS RECORD

SHEET 8 OF 10

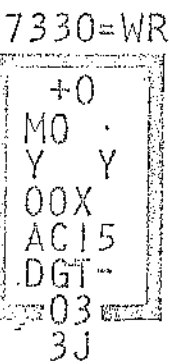
REFERENCE  
Drawing Fig. Ck. Col.

8.2.4 ALTER LOGIC B9.60.40.1 (761223), GATE 00XA AS FOLLOWS:

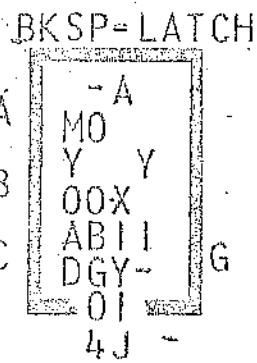
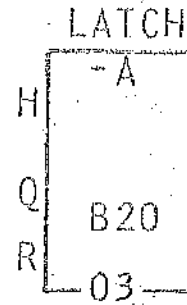
-Y=LOAD POINT  
CKT=2  
B9.60.02.1



+Y= CHECK = CHAR  
B9.40.60.1



+Y= 7330=WR=FWD  
D=128=THEN=BKSP  
B9.30.53.1



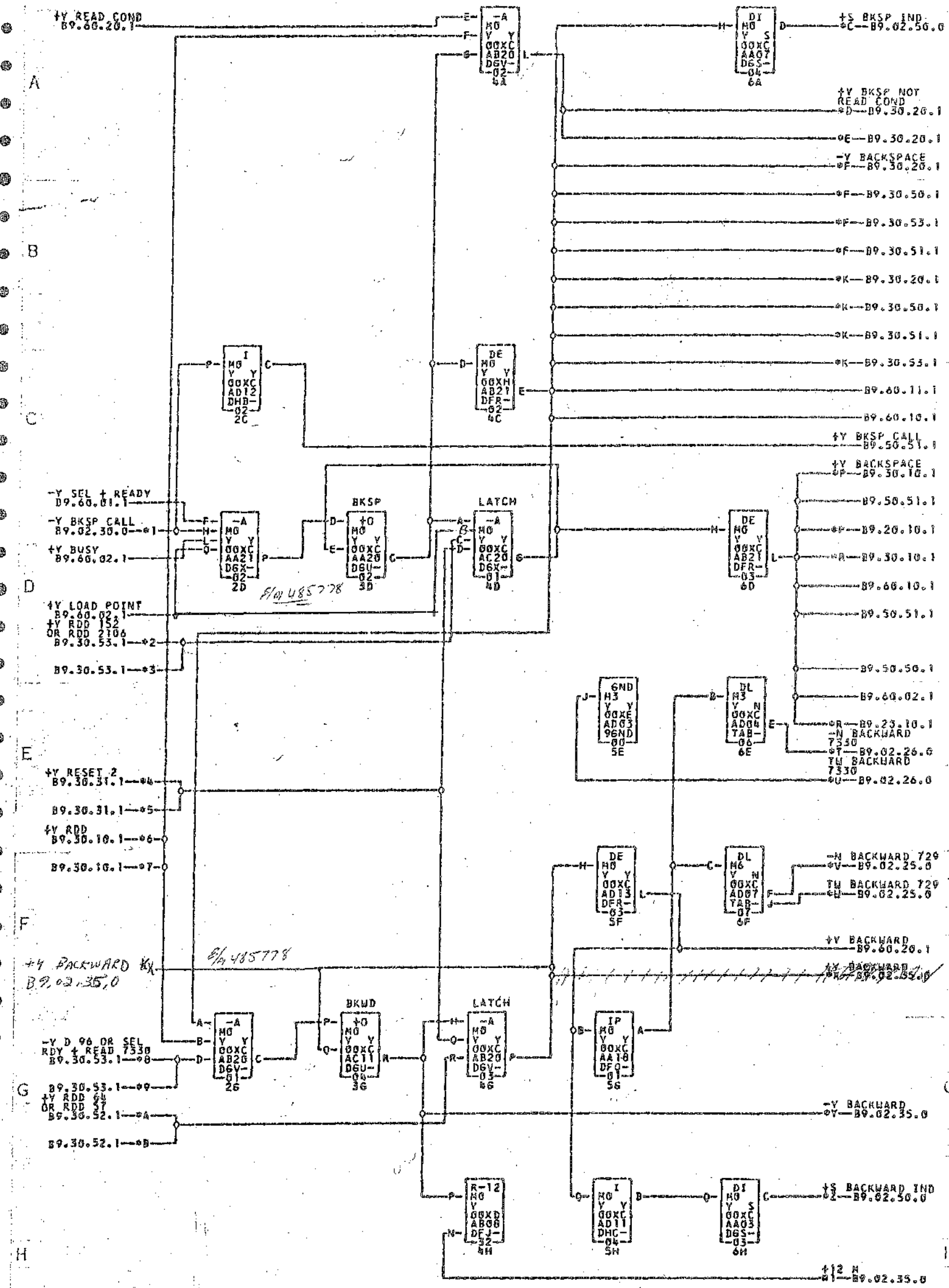
2--00XAD01A  
3--00XAF02N

7330=WR=BKSP  
B9.30.52.1  
ADDED  
EXISTING

DATE	10-27-62	12-10-62	1-23-63	2-21-63	6-20-63	5-5-64	5-26-64
NO.	115300E	116778	116781	117136	117966	114206	114209

11-16 TYPED

00A 10/18/64



- \*1--00XAC02A
- \*2--00XAC01H
- \*3--00XAC26H
- \*4--00XAC01P
- \*5--00XAC26P
- \*6--00XAC016
- \*7--00XAC26G
- \*8--00XAC01K
- \*9--00XAC26K
- \*A--00XAC01L
- \*B--00XAC26L
- \*C--00XAB02F
- \*D--00XAB01C
- \*E--00XAB26C
- \*F--00XAA01C
- \*G--00XAA26C
- \*H--00XAA01P
- \*I--00XAA02Q
- \*J--00XAB026
- \*K--00XAE01N
- \*L--00XAE03P
- \*M--00XAE03N
- \*N--00XAC02H
- \*O--00XAC026
- \*P--00XAC026
- \*Q--00XAC026
- \*R--00XAC026
- \*S--00XAC026
- \*T--00XAC026
- \*U--00XAC026
- \*V--00XAC026
- \*W--00XAC026
- \*X--00XAC026
- \*Y--00XAC026
- \*Z--00XAC026

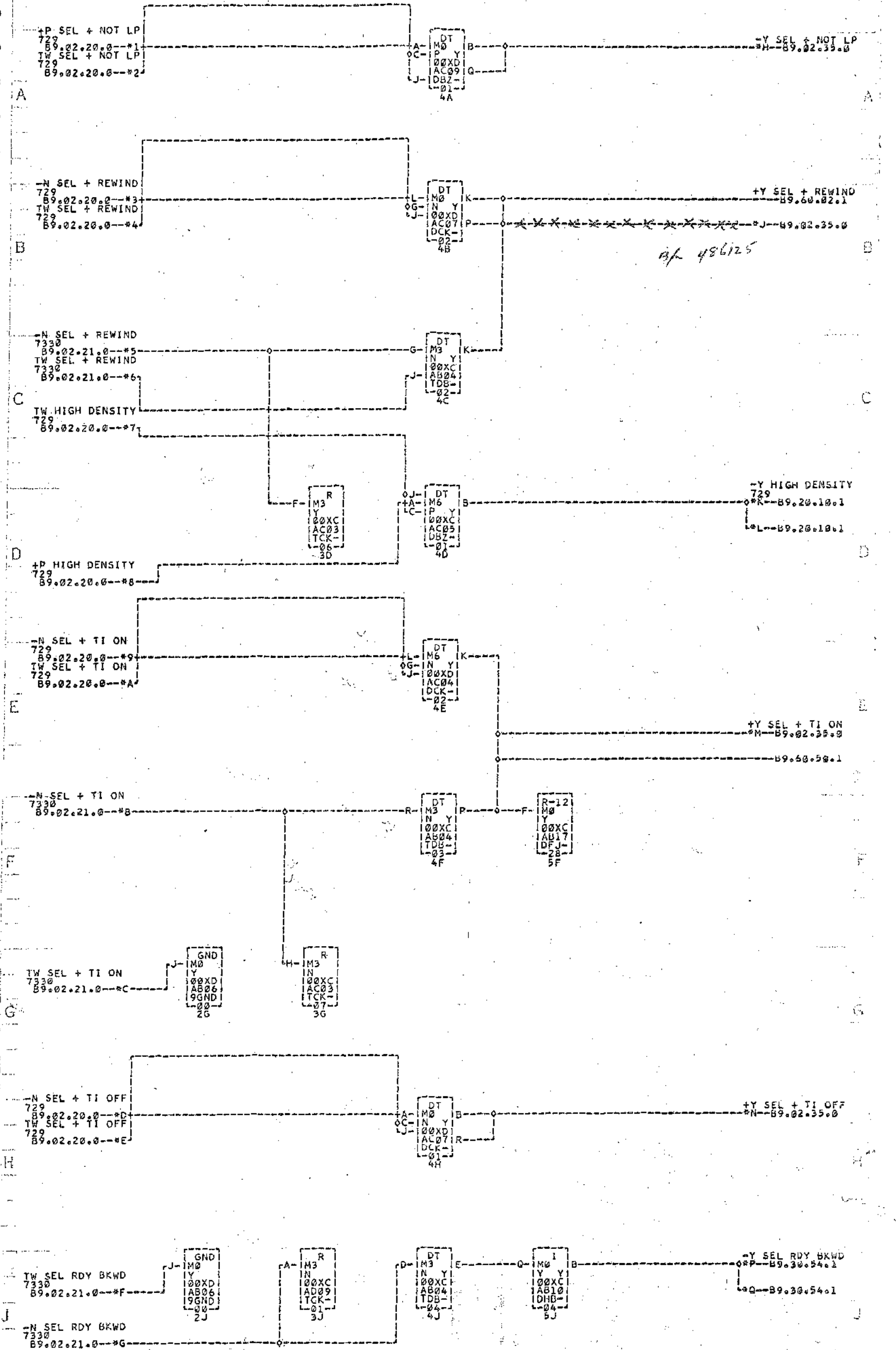


0761225

TAPE UNIT LINES

TAU 9

89.60.51.1



af 486125

- \*1--00XAE03F
- \*2--00XAE03E
- \*3--00XAE03H
- \*4--00XAE03G
- \*5--00XAE01H
- \*6--00XAE01G
- \*7--00XAE04C
- \*8--00XAE04D
- \*9--00XAE03K
- \*A--00XAE03J
- \*B--00XAE01K
- \*C--00XAE01J
- \*D--00XAE03M
- \*E--00XAE03L
- \*F--00XAE01E
- \*G--00XAE01F
- \*H--00XAC02N
- \*I--00XAC02M
- \*J--00XAC02P
- \*K--00XAB01Q
- \*L--00XAB26O
- \*M--00XAC02O
- \*N--00XAC02R
- \*P--00XAA01E
- \*Q--00XAA26E

FORM 100

A	OPEN 00XA AE15 01-2A	OPEN 00XA AE24 01-3A	OPEN 00XA AF10 01-4A	OPEN 00XA AF19 01-5A	CONN 00XC AD02 01-6A
B	OPEN 00XA AE16 01-2B	OPEN 00XA AE25 01-3B	OPEN 00XA AF11 01-4B	OPEN 00XA AF20 01-5B	CONN 00XC AD03 01-6B
C	OPEN 00XA AE17 01-2C	1410 CONN 00XB AE28 01-3C	OPEN 00XA AF12 01-4C	OPEN 00XA AF21 01-5C	
D	OPEN 00XA AE18 01-2D	CONN 00XC AF01 01-3D	OPEN 00XA AF13 01-4D	OPEN 00XA AF22 01-5D	
E	OPEN 00XA AE19 01-2E	OPEN 00XA AF05 01-3E	OPEN 00XA AF14 01-4E	OPEN 00XA AF23 01-5E	
F	OPEN 00XA AE20 01-2F	OPEN 00XA AF06 01-3F	OPEN 00XA AF15 01-4F	OPEN 00XA AF24 01-5F	
G	OPEN 00XA AE21 01-2G	OPEN 00XA AF07 01-3G	OPEN 00XA AF16 01-4G	OPEN 00XA AF25 01-5G	
H	OPEN 00XA AE22 01-2H	OPEN 00XA AF08 01-3H	OPEN 00XA AF17 01-4H	OPEN 00XA AF26 01-5H	
I	OPEN 00XA AE23 01-2I	OPEN 00XA AF09 01-3I	OPEN 00XA AF18 01-4I	CONN 00XC AD04 01-5I	

COMMENTS

TAG	DATE	E.C.NO.	TAG	DATE	E.C.NO.	TAG	DATE	E.C.NO.	TAG	DATE	E.C.NO.
A	03-30-61	110635	B	03-23-61	010657	C	04-14-61	110640			

00XB  
CONN  
A01  
00XA  
AA01  
01-  
2A

729  
CONN  
MACH  
00XA  
AE04  
01-  
3A

OPEN  
00XA  
AB25  
01-  
4A

OPEN  
00XA  
AD19  
01-  
5A

OPEN  
00XA  
AE06  
01-  
6A

CE  
CONN  
PANL  
00XA  
AA02  
01-  
2B

00XB  
CONN  
E01  
00XA  
AF02  
01-  
3D

1410  
CONN  
00XB  
AB26  
01-  
4B

OPEN  
00XA  
AD20  
01-  
5B

OPEN  
00XA  
AE07  
01-  
6B

00XB  
CONN  
B01  
00XA  
AB01  
01-  
2C

729  
CONN  
MACH  
00XA  
AF03  
01-  
3C

OPEN  
00XA  
AC06  
01-  
4C

OPEN  
00XA  
AD21  
01-  
5C

OPEN  
00XA  
AE08  
01-  
6C

00XB  
CONN  
C01  
00XA  
AC01  
01-  
2D

7330  
CONN  
MACH  
00XA  
AF04  
01-  
3D

OPEN  
00XA  
AC19  
01-  
4D

OPEN  
00XA  
AD22  
01-  
5D

OPEN  
00XA  
AE09  
01-  
6D

02A1  
CONN  
B25  
00XA  
AC02  
01-  
2E

OPEN  
00XA  
AA14  
01-  
3E

OPEN  
00XA  
AC25  
01-  
4E

OPEN  
00XA  
AD23  
01-  
5E

OPEN  
00XA  
AE10  
01-  
6E

00XB  
CONN  
D01  
00XA  
AD01  
01-  
2F

OPEN  
00XA  
AA23  
01-  
3F

1410  
CONN  
00XB  
AC26  
01-  
4F

OPEN  
00XA  
AD24  
01-  
5F

OPEN  
00XA  
AE11  
01-  
6F

7330  
CONN  
MACH  
00XA  
AE01  
01-  
26

OPEN  
00XA  
AA25  
01-  
36

OPEN  
00XA  
AD16  
01-  
46

OPEN  
00XA  
AD25  
01-  
56

OPEN  
00XA  
AE12  
01-  
66

7330  
CONN  
MACH  
00XA  
AE02  
01-  
2H

1410  
CONN  
00XB  
AA26  
01-  
3H

OPEN  
00XA  
AD17  
01-  
4H

1410  
CONN  
00XB  
AD26  
01-  
5H

OPEN  
00XA  
AE13  
01-  
6H

729  
CONN  
MACH  
00XA  
AE03  
01-  
2J

OPEN  
00XA  
AB19  
01-  
3J

OPEN  
00XA  
AD18  
01-  
4J

OPEN  
00XA  
AE05  
01-  
5J

OPEN  
00XA  
AE14  
01-  
6J

COMMENTS

TAG DATE E.C.NO.  
A 03-30-61 110435

TAG DATE E.C.NO.  
B 05-23-61 110447

TAG DATE E.C.NO.

TAG DATE E.C.NO.



A	00XA CONN A01 00XA BA01 01 2A	00XC CONN E02 00XA BF01 01 3A	OPEN 00XA BB21 01 4A	OPEN 00XA BD24 01 5A	
B	CE CONN PANEL 00XA BA02 01 2B	OPEN 00XA BA05 01 3B	OPEN 00XA BD25 01 5B	OPEN 00XA BF24 01 6B	
C	00XA CONN C01 00XA BB01 01 2C	OPEN 00XA BA1B 01 3C	OPEN 00XA BB25 01 5C	OPEN 00XA BD26 01 6C	
D	CE CONN PANEL 00XA BB02 01 2D	OPEN 00XA BA20 01 3D	OPEN 00XA BB26 01 6D	OPEN 00XA BF26 01 6D	
E	00XA CONN C01 00XA BC01 01 2E	OPEN 00XA BA21 01 3E	OPEN 00XA BE24 01 5E		
F	CE CONN PANEL 00XA BC02 01 2F	00XD BA24 01 3F	OPEN 00XA BE25 01 5F		
G	00XA CONN D01 00XA BD01 01 2G	OPEN 00XA BA25 01 3G	OPEN 00XA BC25 01 4G	OPEN 00XA BE26 01 5G	
H	00XA CONN F02 00XA BE01 01 2H	OPEN 00XA BA24 01 3H	OPEN 00XA BC26 01 4H	OPEN 00XA BF02 01 5H	
J	00XC CONN A02 00XA BE02 01 2J		OPEN 00XA BD02 01 4J		

COMMENTS

TAG	DATE	E.C.NO.	TAG	DATE	E.C.NO.	TAG	DATE	E.C.NO.	TAG	DATE	E.C.NO.
A	03-29-61	110435	B	04-11-61	110446	C	05-23-61	110447	D	06-14-61	110448
E	08-04-61	112226									

IBM

FORM 204 (2-5-57)



CE  
CONN  
PANL  
00XA  
CA01  
-01-  
2A

00XB  
CONN  
FG1  
00XA  
CE02  
-01-  
3A

OPEN  
00XA  
CA13  
-01-  
4A

OPEN  
00XA  
CB05  
-01-  
5A

OPEN  
00XA  
CD28  
-01-  
6A

7330  
CONN  
MACH  
00XA  
CF01  
-01-  
3B

OPEN  
00XA  
CB12  
-01-  
5B

OPEN  
00XA  
CE03  
-01-  
6B

02A1  
CONN  
A25  
00XA  
CB01  
-01-  
2C

729  
CONN  
MACH  
00XA  
CF02  
-01-  
3C

OPEN  
00XA  
CA18  
-01-  
4C

OPEN  
00XA  
CC06  
-01-  
5C

OPEN  
00XA  
CE04  
-01-  
6C

02A1  
CONN  
A24  
00XA  
CB02  
-01-  
2D

OPEN  
00XA  
CA03  
-01-  
3D

OPEN  
00XA  
CA22  
-01-  
4D

OPEN  
00XA  
CC19  
-01-  
5D

OPEN  
00XA  
CE06  
-01-  
6D

00XA  
CONN  
FG1  
00XA  
CC01  
-01-  
2E

OPEN  
00XA  
CA05  
-01-  
3E

OPEN  
00XA  
CA23  
-01-  
4E

OPEN  
00XA  
CE08  
-01-  
6E

00XA  
CONN  
DB3  
00XA  
CC02  
-01-  
2F

OPEN  
00XA  
CA06  
-01-  
3F

OPEN  
00XA  
CD03  
-01-  
5F

CONN  
00XD  
CA02  
-01-  
6F

7330  
CONN  
MACH  
00XA  
CD01  
-01-  
2G

OPEN  
00XA  
CA07  
-01-  
3G

OPEN  
00XA  
CA24  
-01-  
4G

OPEN  
00XA  
CD04  
-01-  
5G

OPEN  
00XA  
CE13  
-01-  
6G

729  
CONN  
MACH  
00XA  
CD02  
-01-  
2H

OPEN  
00XA  
CA08  
-01-  
3H

OPEN  
00XA  
CA26  
-01-  
4H

OPEN  
00XA  
CD19  
-01-  
5H

OPEN  
00XA  
CE15  
-01-  
6H

CE  
CONN  
PANL  
00XA  
CE01  
-01-  
2J

OPEN  
00XA  
CA09  
-01-  
3J

OPEN  
00XA  
CA04  
-01-  
4J

OPEN  
00XA  
CD20  
-01-  
5J

OPEN  
00XA  
CE17  
-01-  
6J

COMMENTS

TAG	DATE	E.C.NO.	TAG	DATE	E.C.NO.	TAG	DATE	E.C.NO.	TAG	DATE	E.C.NO.
A	03-29-61	110435	D	04-12-61	110448	C	05-23-61	110447	D	06-18-61	110448
E	08-08-61	112226									

1501 INTERMEDIATE LEVEL DIAGRAMS  
TAU 9 INDEX

FIGURE	NAME	PART NUMBER
180	REFERENCE SHEET	723750
181	WRITE CONTROLS 1	723751
182	WRITE CONTROLS 2	723752
183	READ CONTROLS 1	723753
184	READ CONTROLS 2	723754
185	BACK SPACE, ERASE, REWIND AND REWIND UNLOAD	723755
186	WR CLOCK AND DLY COUNTER OSC GATING	723756
187	DELAY COUNTER	723757
188	READ DISC DELAY FORWARD STOP DLY AND CHECK CHARACTER	723758
189	GO AND TP DRV INPUT OUTPUT LINES	723759
190	FINAL AMPLIFIERS A REG B REG, R/W REG, LCR REG	723760
191	ERROR CIRCUITS 1	723761
192	ERROR CIRCUITS 2	723762
195	729 WRITE OPERATION	723763
195-1	7330 WRITE OPERATION	723764
195-2	WRITE CLOCK CYCLES 729, 7330 WRITE OPERATION	723765
195-3	READ CLOCK CYCLES 729, 7330 WRITE OPERATIONS	723766
196	729 READ OPERATION	723767
196-1	7330 READ OPERATION	723768
196-2	READ CLOCK CYCLES 729, 7330 READ OPERATIONS	723769
197	729 BACKSPACE OP	723770
197-1	7330 BACKSPACE OP	723771

DATE	CHANGE NO.	DATE	CHANGE NO.	INTERNATIONAL BUSINESS MACHINES CORP			
9-7-61	112226B			NAME	TAU 9 INDEX		
				DESIGN		TYPE	
				DETAIL		SCALE	
				CHECK	DRWG	VE	8-2-61
				APPRO		BY	

INPUTS FROM 729 TAPE DRIVE

BS-02.20.0

729 TP DRV LOGIC		TAU ILO
01.03.1	0VPP RE-WO BUS 1 BIT 729	190B1
01.03.1	0VPP READ BUS 2 BIT 729	190B1
01.03.1	0VPP READ BUS 4 BIT 729	190B1
01.03.1	0VPP READ BUS 0 BIT 729	190B1
01.03.1	0VPP READ BUS A BIT 729	190B1
01.03.1	0VPP READ BUS B BIT 729	190B1
01.03.1	0VPP READ BUS C BIT 729	190B1
01.02.1	SEL + RDY WR 729	189A4
01.02.1	SEL + RDY RD 729	189A3
01.09.1	SEL + REWIND 729	185A2
01.05.1	SEL + TI ON 729	183A2
01.02.2	HIGH DENSITY 729	189A1
01.04.1	WRITE ECHO 729	191A1
01.06.1	SEL + LP 729	185A4
01.06.1	SEL + NOT LP 729	189C4
01.05.1	SEL + TI OFF 729	189C4
01.01.1	SEL AND READY MOD 2 729	189A3
01.01.1	SEL AND READY MOD 4 729	189A2

OUTPUTS TO 729 TAPE DRIVE

BS-02.25.0

TAU ILO		729 TP DRV LOGIC
190A4	WRITE BUS 1 BIT 729	01.04.1
190A4	WRITE BUS 2 BIT 729	01.04.1
190A4	WRITE BUS 4 BIT 729	01.04.1
190A4	WRITE BUS 0 BIT 729	01.04.1
190A4	WRITE BUS A BIT 729	01.04.1
190A4	WRITE BUS B BIT 729	01.04.1
190A4	WRITE BUS C BIT 729	01.04.1
182D2	WRITE PULSE 729	01.04.1
182D6	WR TR REL 729	01.04.1
181C5	SET WR STATUS 729	01.02.1
183C6	SET READ STATUS 729	01.02.1
185C5	BACKWARD 729	01.07.1
189C6	GO 729	01.07.1
185B2	REWIND 729	01.09.1
185D2	REWIND UNLOAD 729	01.09.1
189D3	TURN OFF TI 729	01.05.1
183D2	TURN ON TI 729	01.05.1

INPUTS FROM 7330 TAPE DRIVE

BS-02.21.1

7330 TP DRV LOGIC		TAU ILO
73.00.30.0	0VPP READ BUS 1 BIT 7330	190B1
73.00.30.0	0VPP READ BUS 2 BIT 7330	190B1
73.00.30.0	0VPP READ BUS 4 BIT 7330	190B1
73.00.30.0	0VPP READ BUS 0 BIT 7330	190B1
73.00.30.0	0VPP READ BUS A BIT 7330	190B1
73.00.30.0	0VPP READ BUS B BIT 7330	190B1
73.00.30.0	0VPP READ BUS C BIT 7330	190B1
73.00.30.0	SEL + RDY WR 7330	189A4
73.00.30.0	SEL + RDY RD 7330	189A3
73.00.30.0	SEL + REWIND 7330	185A1
73.00.30.0	SEL + TI ON 7330	183A1
73.00.30.0	SEL + RDY HI 7330	189A2
73.00.30.0	ECHO PULSE 7330	191A1
73.00.30.0	SEL + LP 7330	185A4
73.00.30.0	SEL + RDY LO 7330	189A2
73.00.30.0	SEL RDY BKWD 7330	185C3

OUTPUTS TO 7330 TAPE DRIVE

BS-02.26.0

TAU ILO		7330 TP DRV LOGIC
190B1	WRITE BUS 1 BIT 7330	73.00.20.0
190B1	WRITE BUS 2 BIT 7330	73.00.20.0
190B1	WRITE BUS 4 BIT 7330	73.00.20.0
190B1	WRITE BUS 0 BIT 7330	73.00.20.0
190B1	WRITE BUS A BIT 7330	73.00.20.0
190B1	WRITE BUS B BIT 7330	73.00.20.0
190B1	WRITE BUS C BIT 7330	73.00.20.0
182D2	WRITE PULSE 7330	73.00.20.0
182D5	WR TR REL 7330	73.00.20.0
181C5	SET WRITE STATUS 7330	73.00.20.0
183C6	SET READ STATUS 7330	73.00.20.0
185C5	BACKWARD 7330	73.00.20.0
189C6	GO 7330	73.00.20.0
185B2	REWIND 7330	73.00.20.0
185D2	REWIND UNLOAD 7330	73.00.20.0
189D3	TURN OFF TI 7330	73.00.20.0
183D2	TURN ON TI 7330	73.00.20.0

INPUTS TO TAU

BS-02.30.0

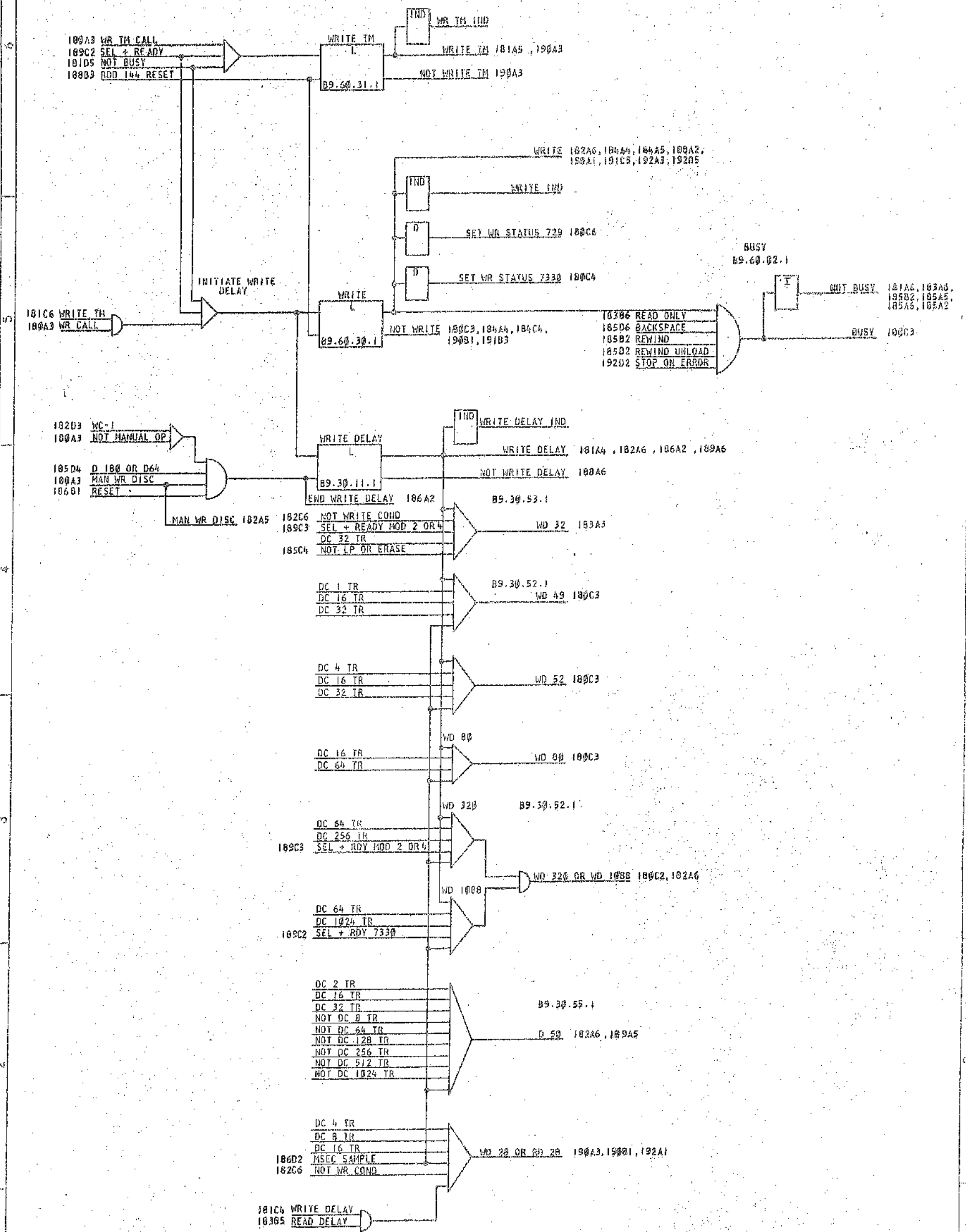
1401 ILC		TAU ILO
	1 BIT WRITE DATA LINE	190A4
	2 BIT WRITE DATA LINE	190A4
	4 BIT WRITE DATA LINE	190A4
	0 BIT WRITE DATA LINE	190A4
	A BIT WRITE DATA LINE	190A4
	B BIT WRITE DATA LINE	190A4
	C BIT WRITE DATA LINE	190A4
	WR CALL	181A5
	WR TR CALL	181A6
	DISC CALL	182A5
	READ CALL	183A6
	REWIND CALL	185A2
	REWIND + UNLOAD CALL	185B2
	BACKSPACE CALL	185A6
	ERASE CALL	185A5
	TAU RESET	186A1
	ODD REDUNDANCY CALL	183A3
	TURN OFF TI	189C3
	MAN WR DISC	182A5
	MANUAL STOP ON ERROR	192B5
	MANUAL STOP ON ERROR	192C2
	EARLY SAMPLE	192A3
	EARLY SAMPLE	191C4
	AMPLIFIER BIAS	190A1
	COMPARE CHECK CE	192B5
	REG A ONLY	191B6
	REG B ONLY	191B6
	TURN ON GO	189B5
	NOT MANUAL OP	181A5
	MANUAL ERROR RESET	192A2

OUTPUTS FROM TAU

BS-02.35.0

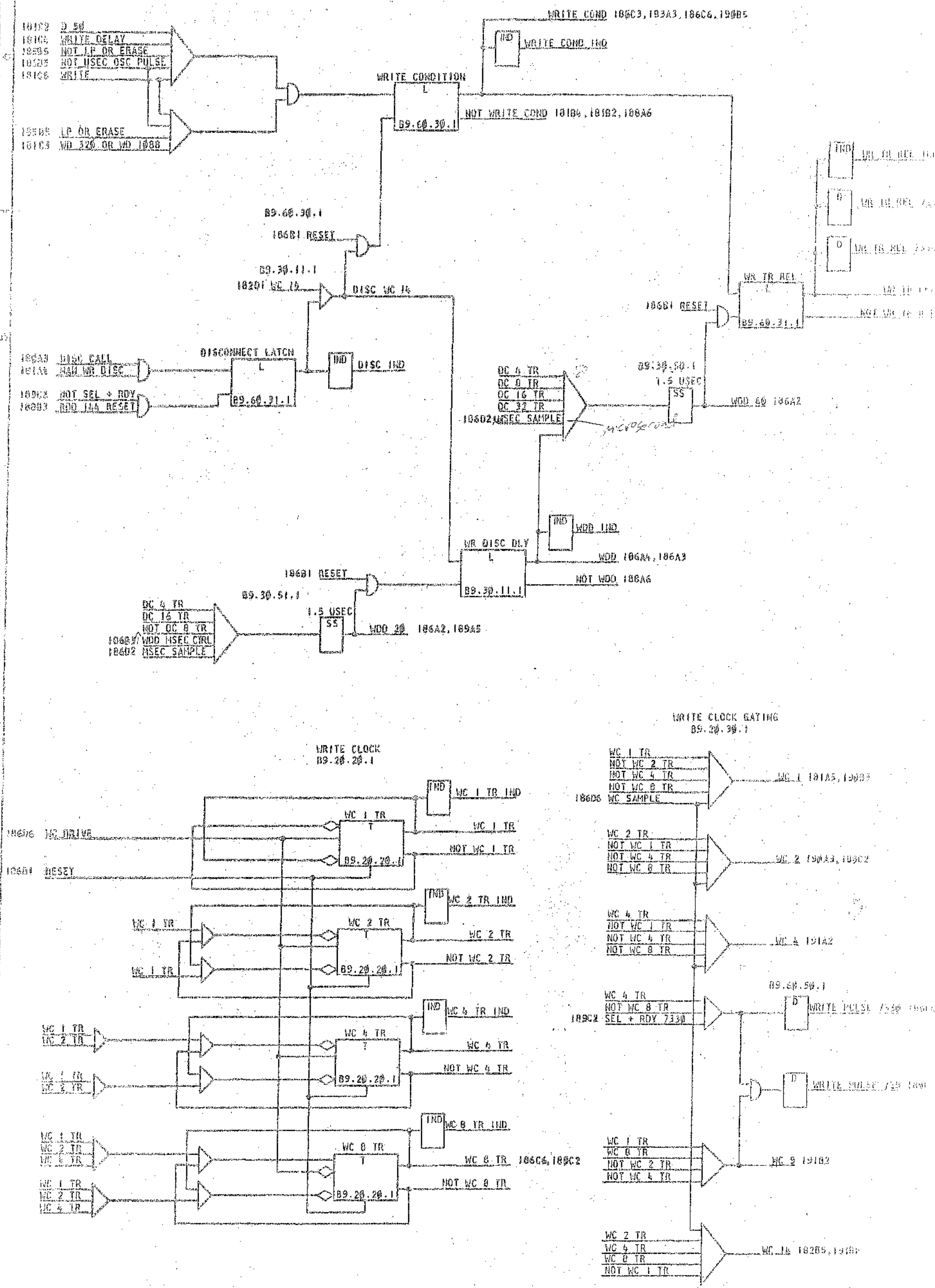
TAU ILO		1401 ILO
190A6	R-W REG 1 BIT	
190A6	R-W REG 2 BIT	
190A6	R-W REG 4 BIT	
190A6	R-W REG 0 BIT	
190A6	R-W REG A BIT	
190A6	R-W REG B BIT	
190A6	R-W REG C BIT	
181B5	WRITE	
182C6	WRITE COND	
181D5	BUSY	
185B4	LOAD POINT	
18802	CHECK CHAR	
183B1	SEL + TI ON	
192C2	ERROR	
188B3	FWD STOP DELAY	
182D3	WC 2	
182C2	WC 0 TR	
184B4	WR RC-5 OR READ RC-7	
181C4	WD 52	
181C3	WD 80	
181C3	WD 320 OR WD 1000	
181C4	WD 49	
185B2	SEL + REWIND	
189D4	SEL + NOT LP	
189D4	SEL + TI OFF	
189C2	SEL + READY MOD 4	
189B2	SEL + RDY HI 7330	
188B4	RDD 144	
188B1	COMPUTE	
185C5	BACKWARD	

DATE	CHANGE NO	DATE	CHANGE NO	INTERNATIONAL BUSINESS MACHINES CORP
9-7-61	112226			FIG 100 REFERENCE SHEET
				DESIGN
				DETAIL
				CHECK
				APPRO
				TYPE
				SCALE
				DRAW VE 6-8-61
				CHECK



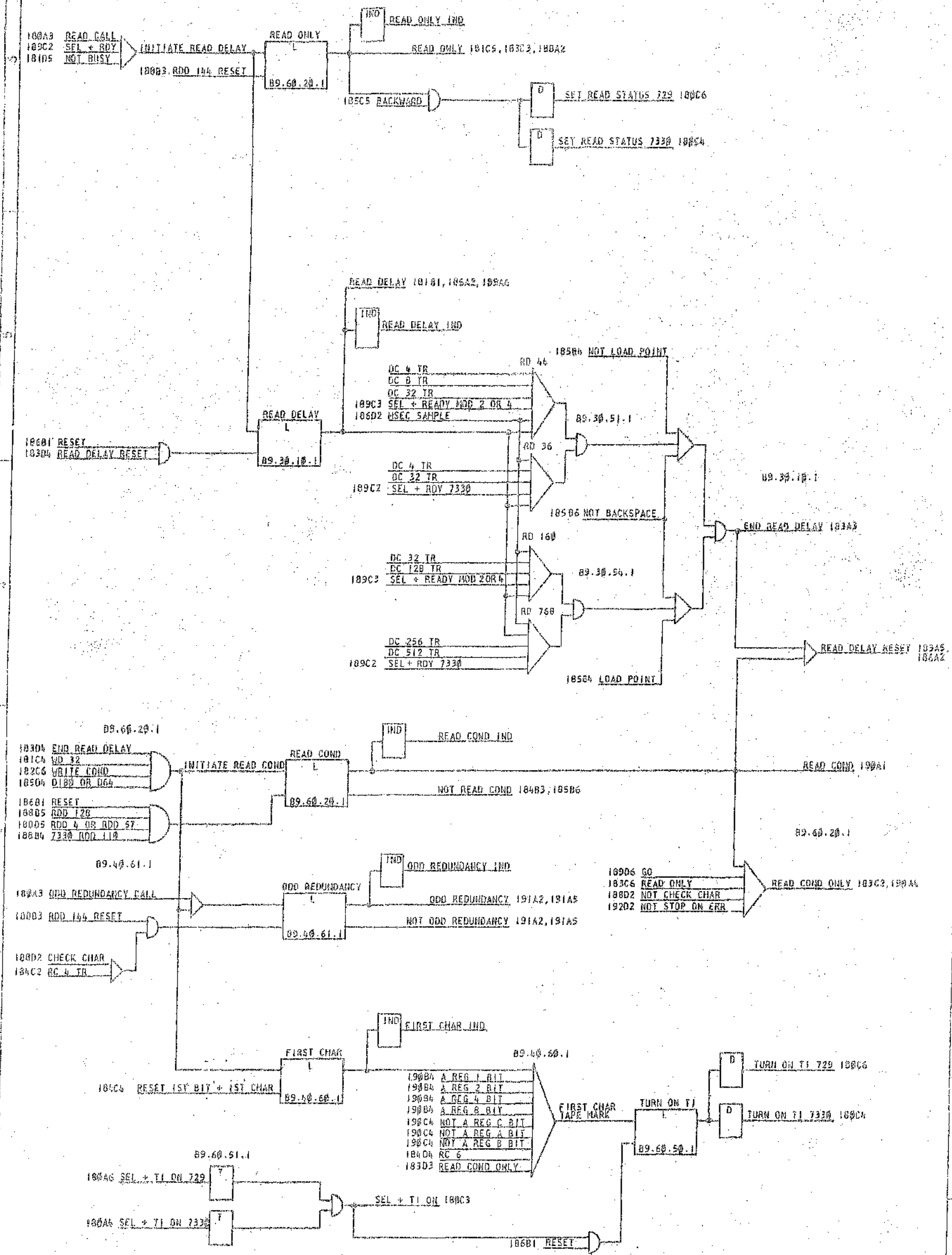
DATE	CHANGE NO	DATE	CHANGE NO	INTERNATIONAL BUSINESS MACHINES CORP
9-7-61	1122768			FIG 181 WRITE CONTROLS -1
				DESIGN
				DETAIL
				CHECK
				APPRO
				TYPE
				SCHE
				DRAW VE
				CHECK

FIG. 18

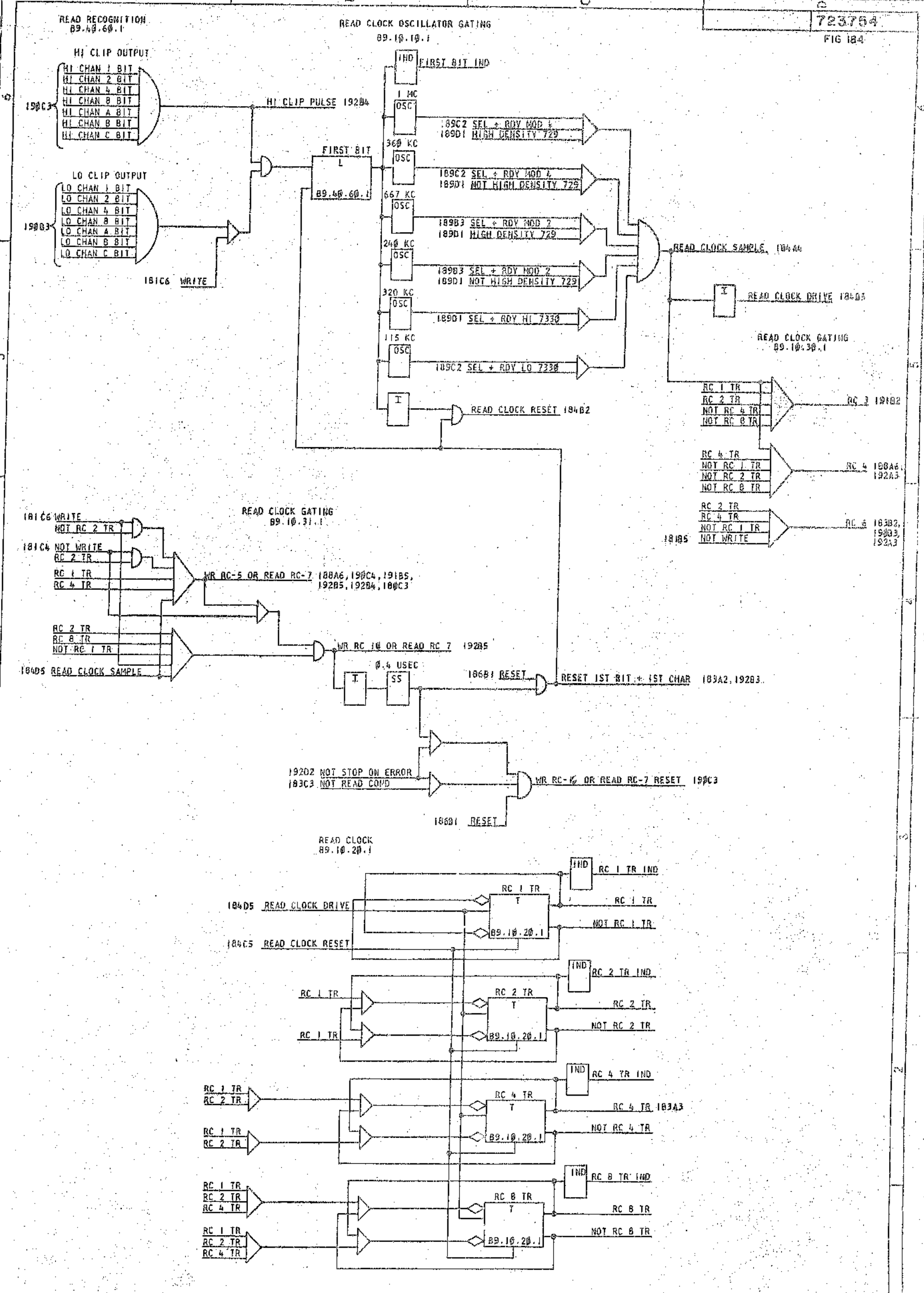


DATE	CHANGE NO	DATE	CHANGE NO	INTERNATIONAL BUSINESS MACHINES
9-7-61	1123268			FIG. 182 WRITE CONTROL
				DESIGN
				CHECK
				APPRO

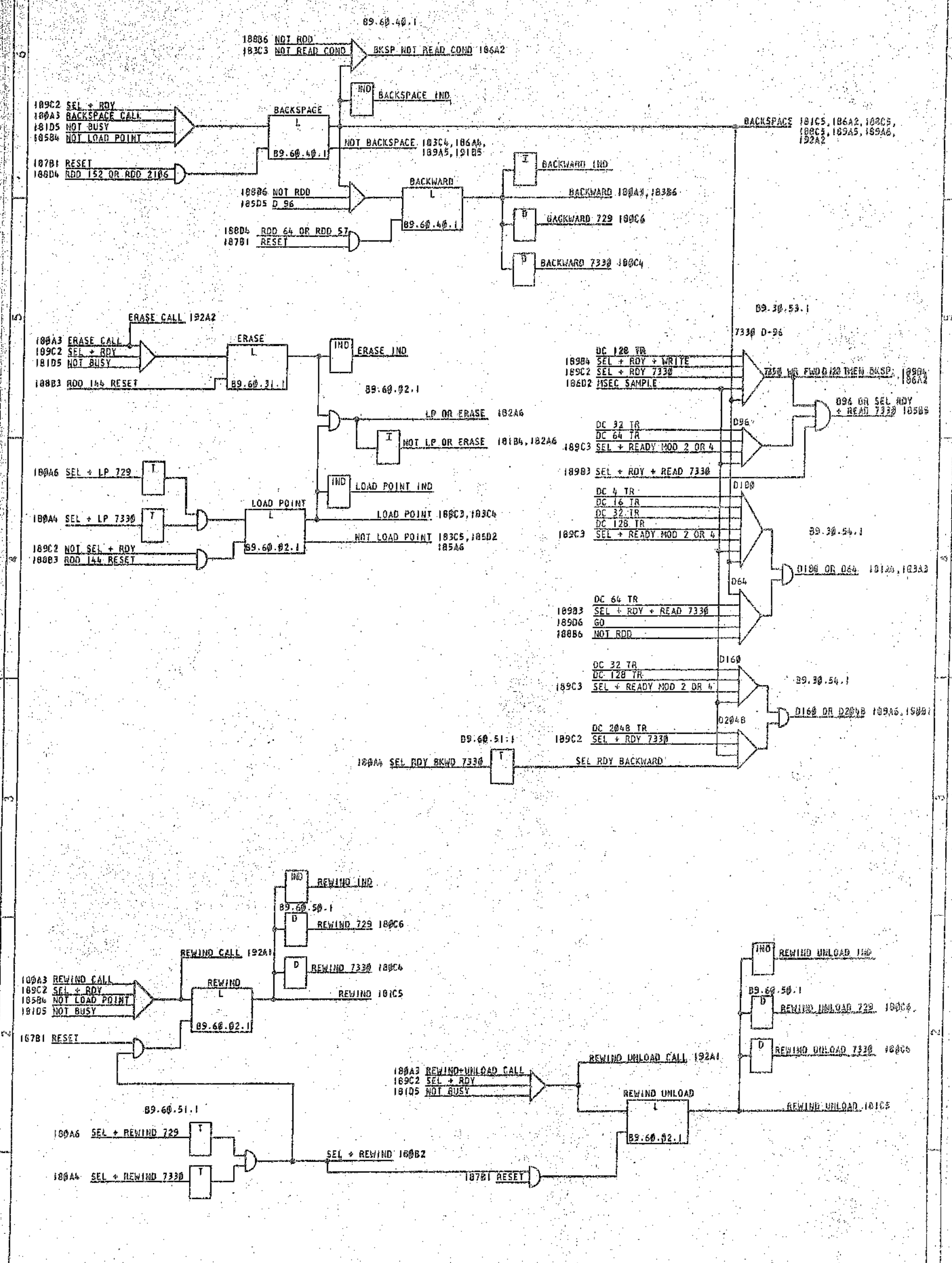




DATE	CHANGE NO	DATE	CHANGE NO	INTERNATIONAL BUSINESS MACHINES CORP			
9-7-61	1122268			FIG 103	READ CONTROLS I		
				DESIGN		TYPE	
				DETAIL		SCALE	
				CHECK		DRAWN BY	5-12-61
				APPRO		CHECK	



DATE		CHANGE NO		INTERNATIONAL BUSINESS MACHINES CORP	
9-7-61	112226 B			FIG 184	READ CONTROLS 2
				DESIGN	TYPE
				DETAIL	SCALE
				CHECK	DRAW VE 6-12-51
				APPRO	CHECK

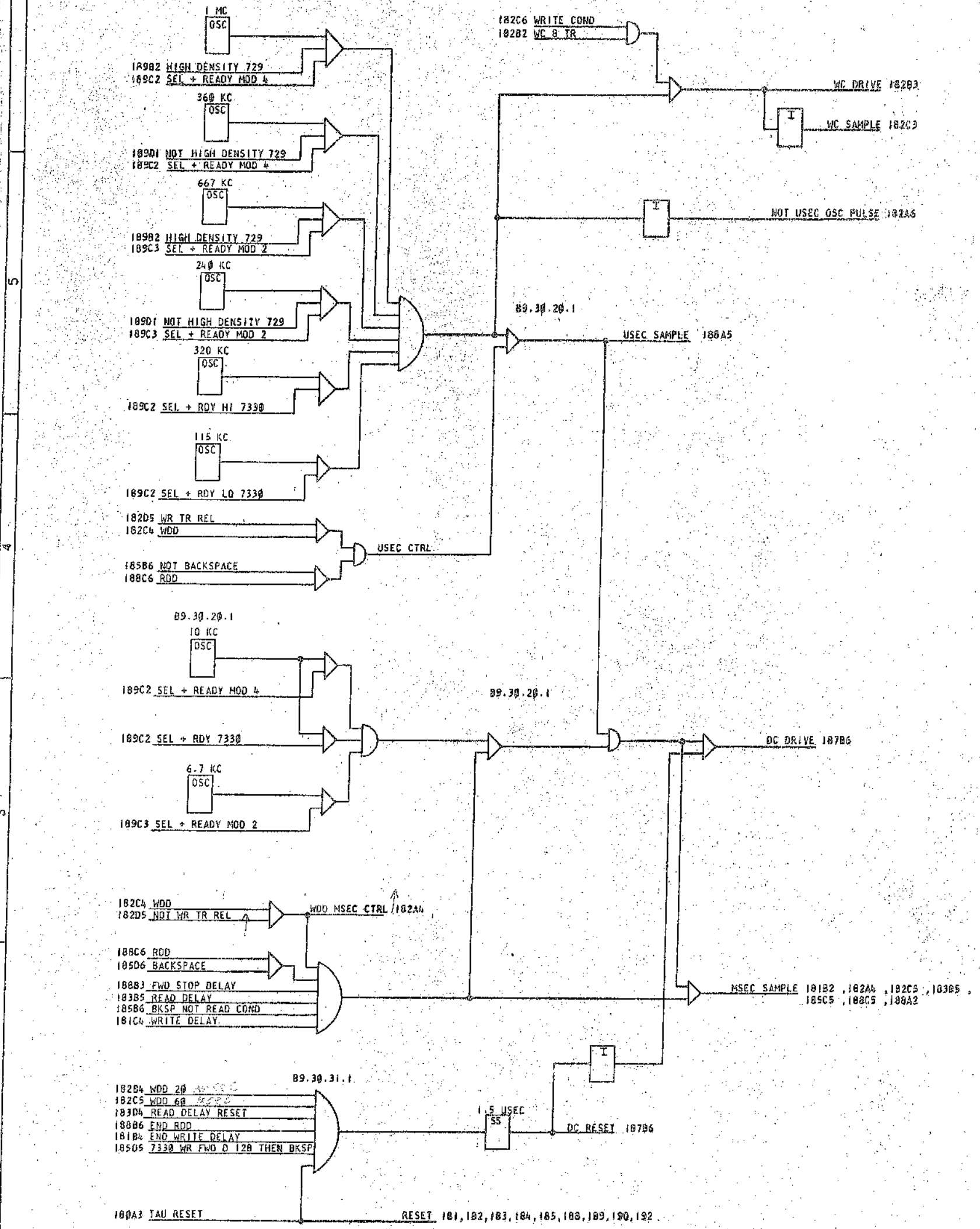


DATE	CHANGE NO	DATE	CHANGE NO	INTERNATIONAL BUSINESS MACHINES CORP
9-7-61	172216B			FIG. 185 BACKSPACE ERASE REWIND AND REWIND UNLOAD
				DESIGN TYPE
				DETAIL SCALE
				CHECK DRAW VE 6-14-61
				APPRO CHECK

WRITE CLOCK AND DELAY COUNTER OSCILLATOR GATING  
89.20.10.1

723756

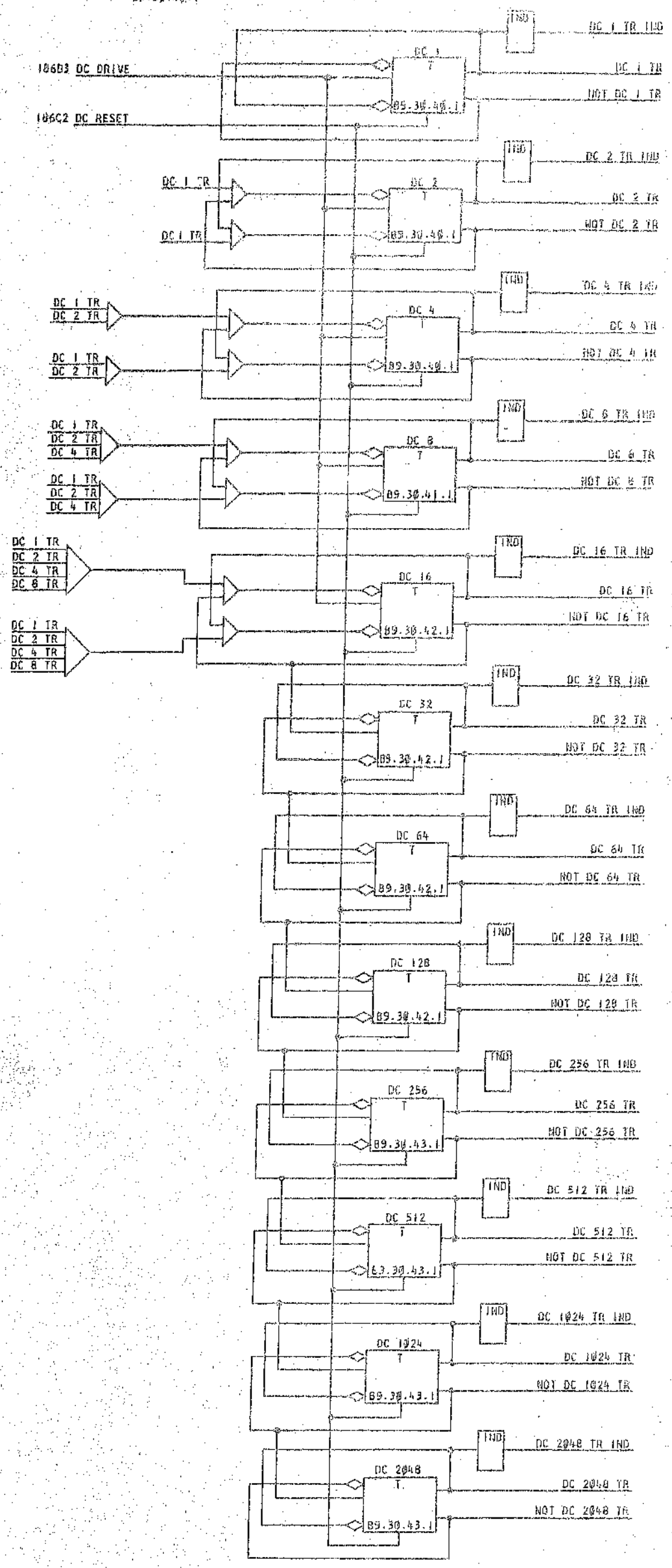
FIG 186



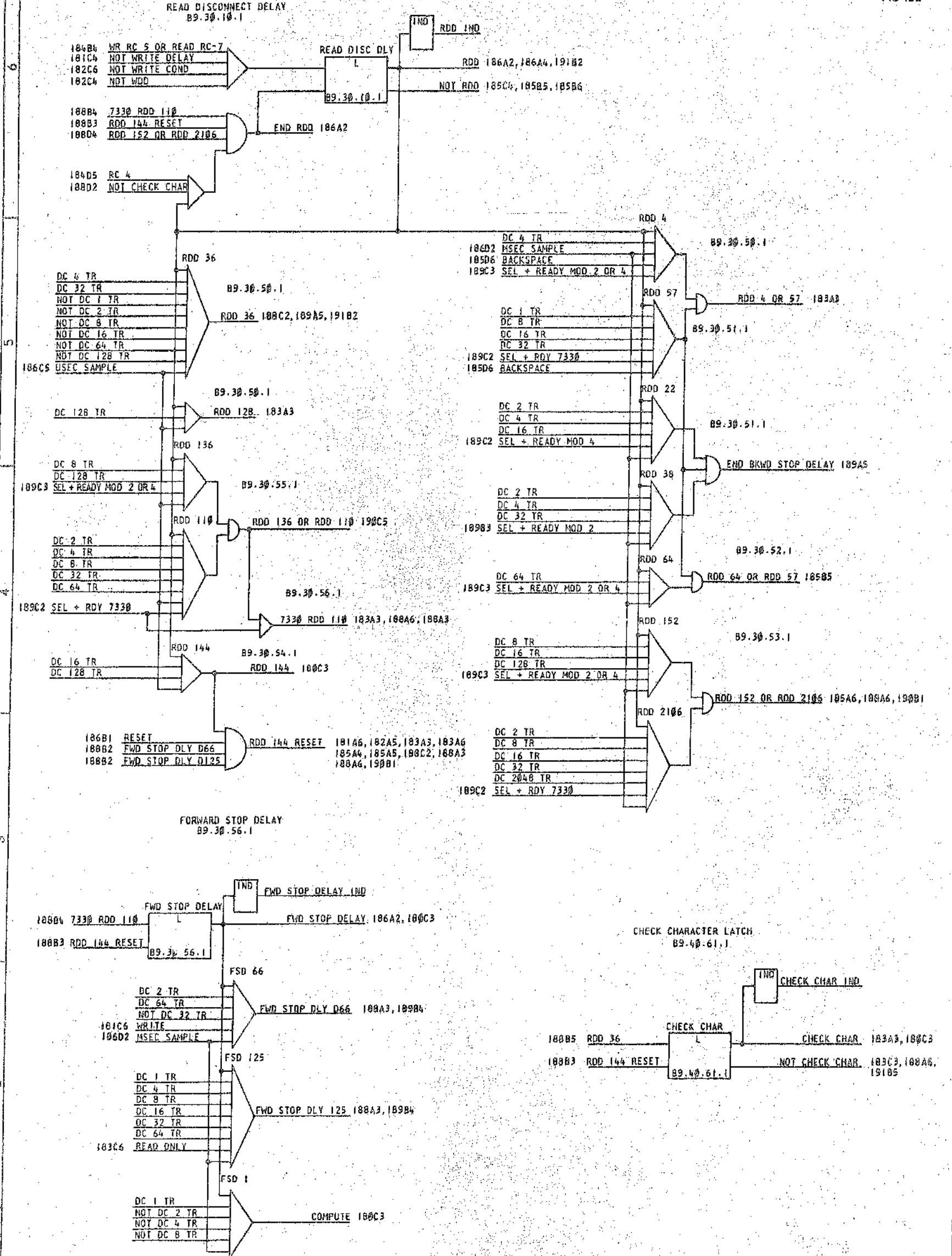
DATE	CHANGE NO	DATE	CHANGE NO	INTERNATIONAL BUSINESS MACHINES CORP	
9-7-61	112236B			FIG 186	WR CLOCK AND DLY
					COUNTER OSC GATING
				DESIGN	TYPE
				DETAIL	SCALE
				CHECK	DRAW VE 6-5-61
				APPRO	CHECK

DELAY COUNTER  
89.30.40.1

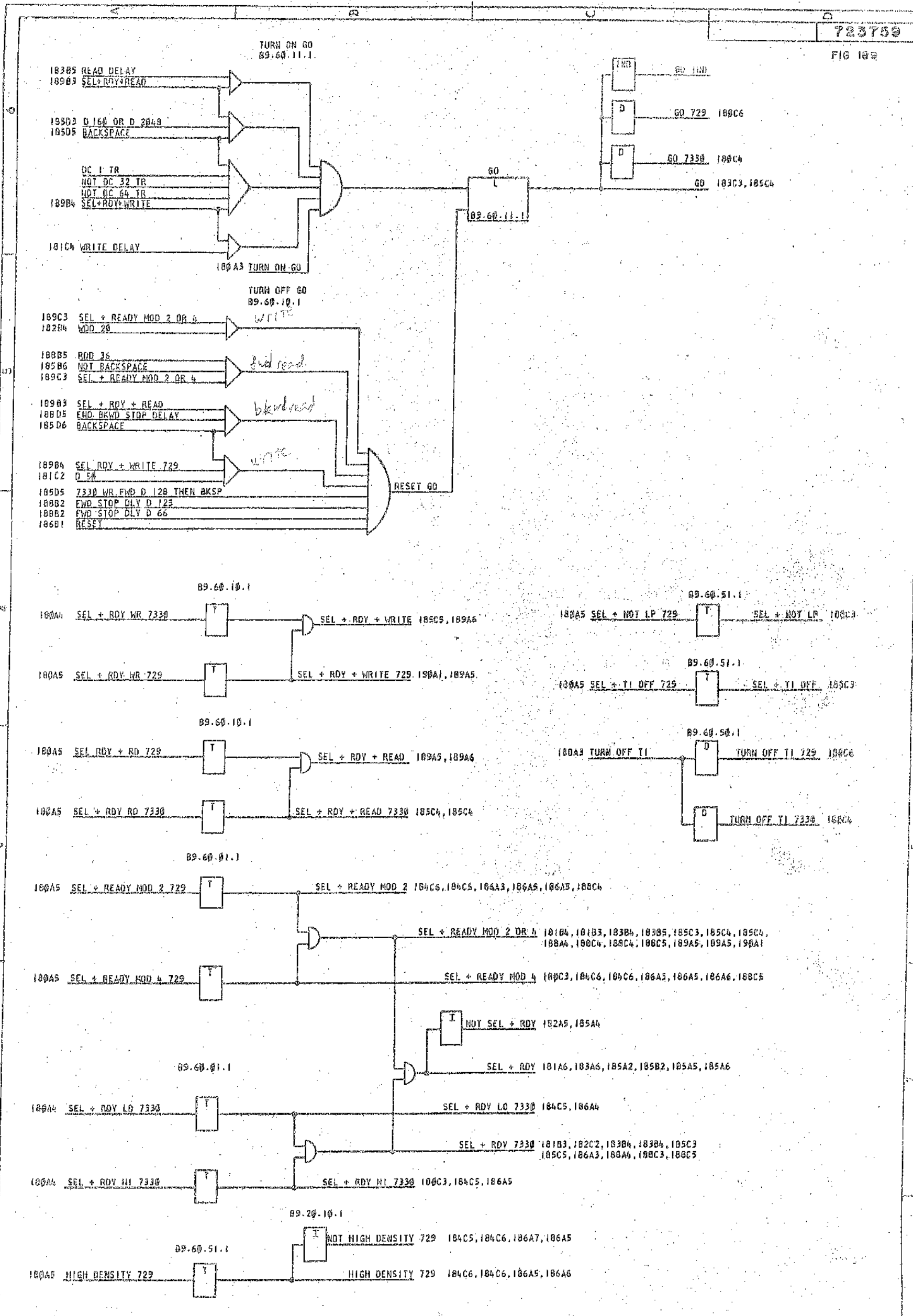
729787  
FIG 187



DATE	CHANGE NO	DATE	CHANGE NO	INTERNATIONAL BUSINESS MACHINES CORP	
9-7-61	112,226 B			FIG 187	DELAY COUNTER
				DESIGN	TYPE
				DETAIL	SCALE
				CHECK	DRAW VE 6-5-61
				APPRO	CHECK

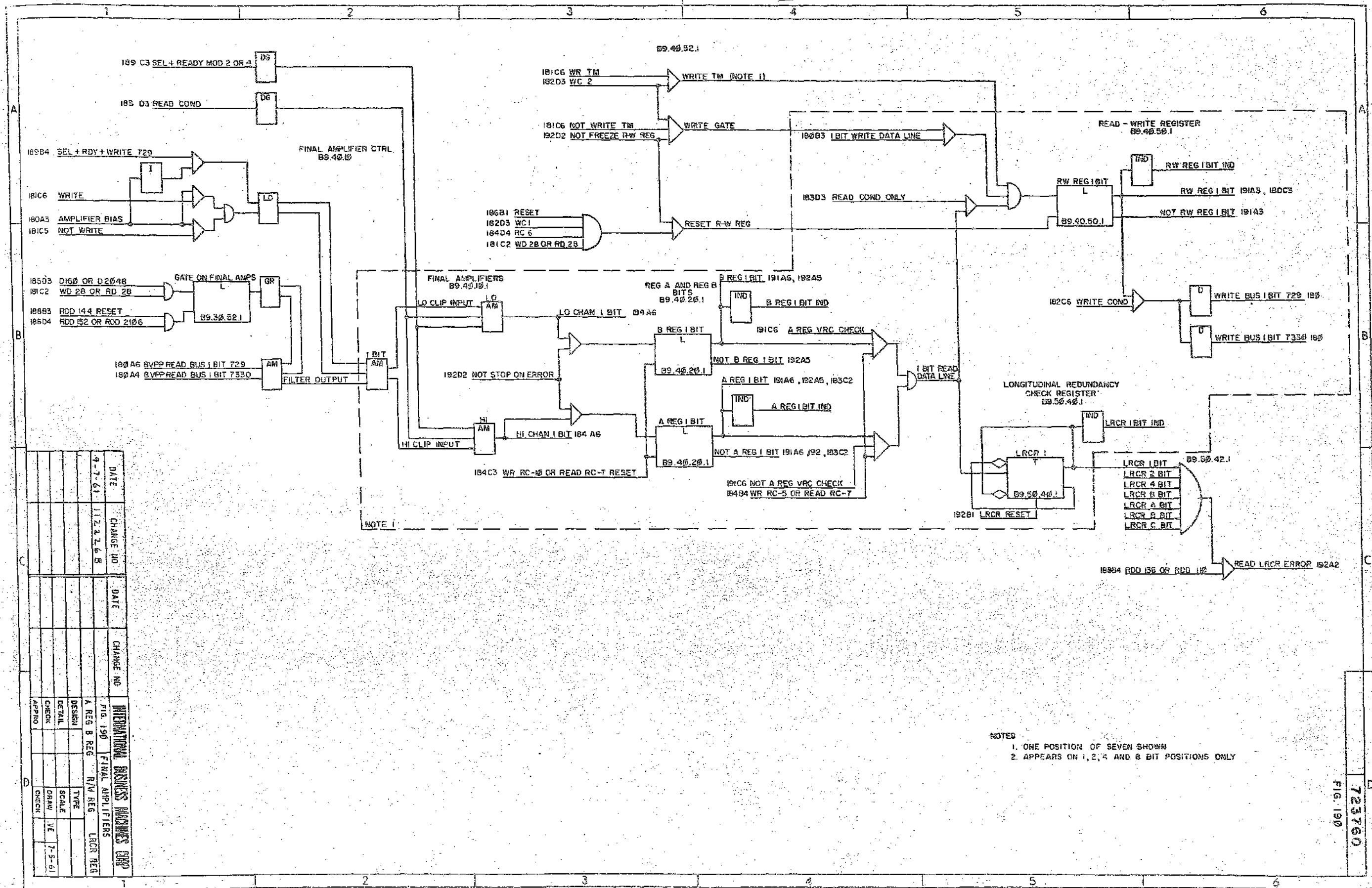


DATE	CHANGE NO	DATE	CHANGE NO	INTERNATIONAL BUSINESS MACHINES CORP		
9-7-61	112226 B			FIG 188	READ DISC DELAY	
				FORWARD STOP DLY AND CHECK CHAR.		
				DESIGN	TYPE	
				DETAIL	SCALE	
				CHECK	DRAW VE	6-14-61
				APPROD	CHECK	



DATE	CHANGE NO	DATE	CHANGE NO	INTERNATIONAL BUSINESS MACHINES CORP		
9-7-61	112226B			FIG 189	GO AND TP DRV INPUT	
					OUTPUT LINES	
				DESIGN		TYPE
				DETAIL		SCALE
				CHECK		DRAWN VE 6-N-EL
				APPROD		CHECK



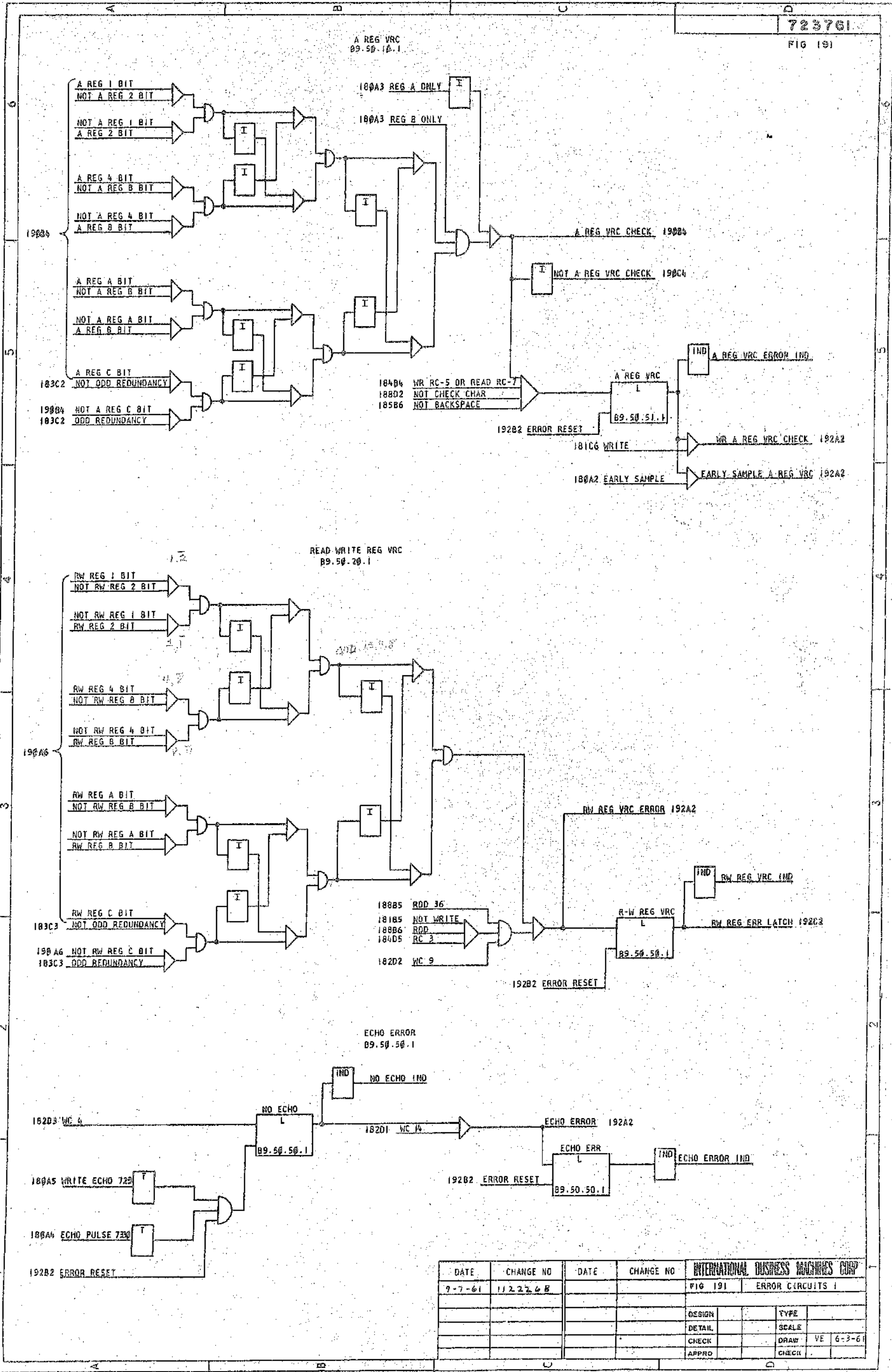


DATE	CHANGE NO.	DATE	CHANGE NO.	FIG. 190	FINAL AMPLIFIERS
4-7-61	1122768			A REG B REG	N/A REG
				DESIGN	TYPE
				CHECK	SCALE
				DRAW	VE
				CHECK	7-5-61

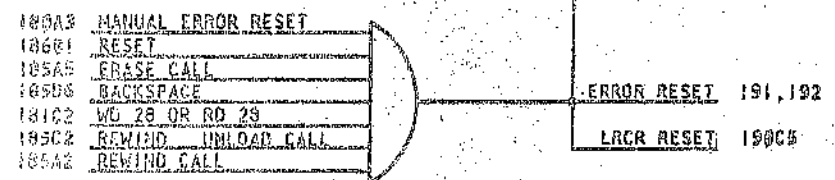
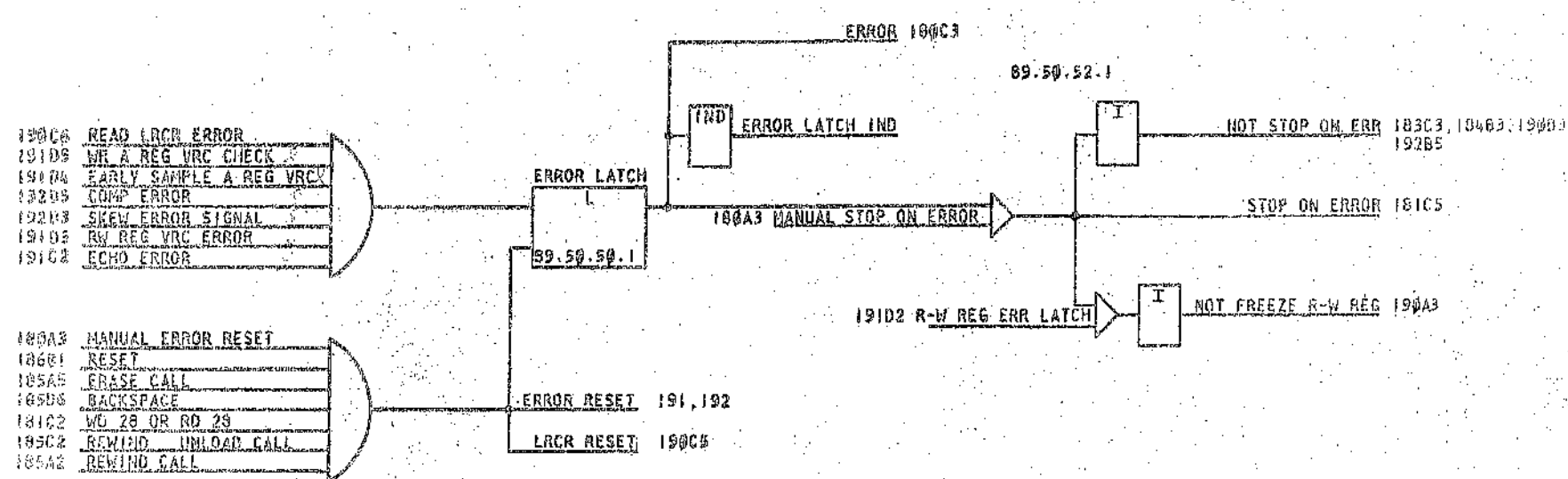
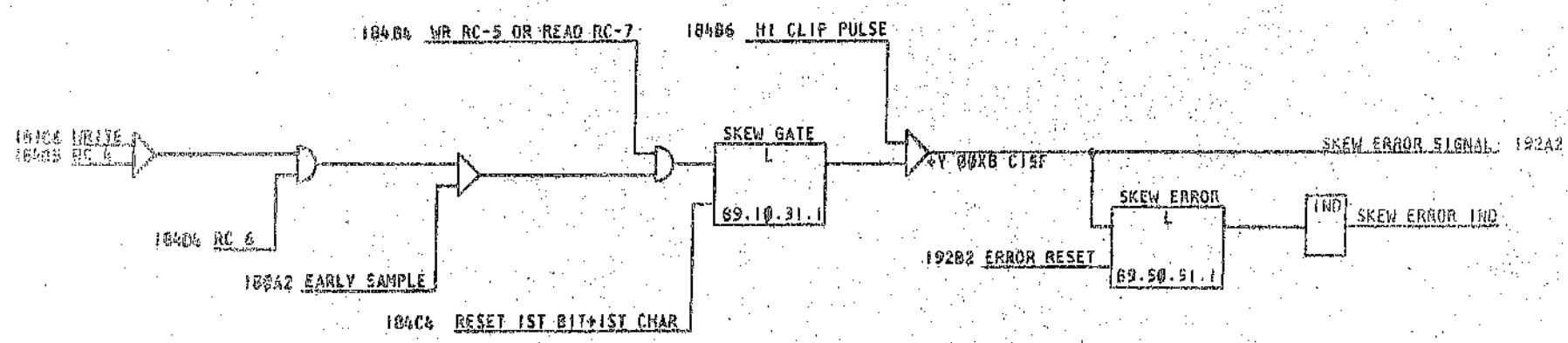
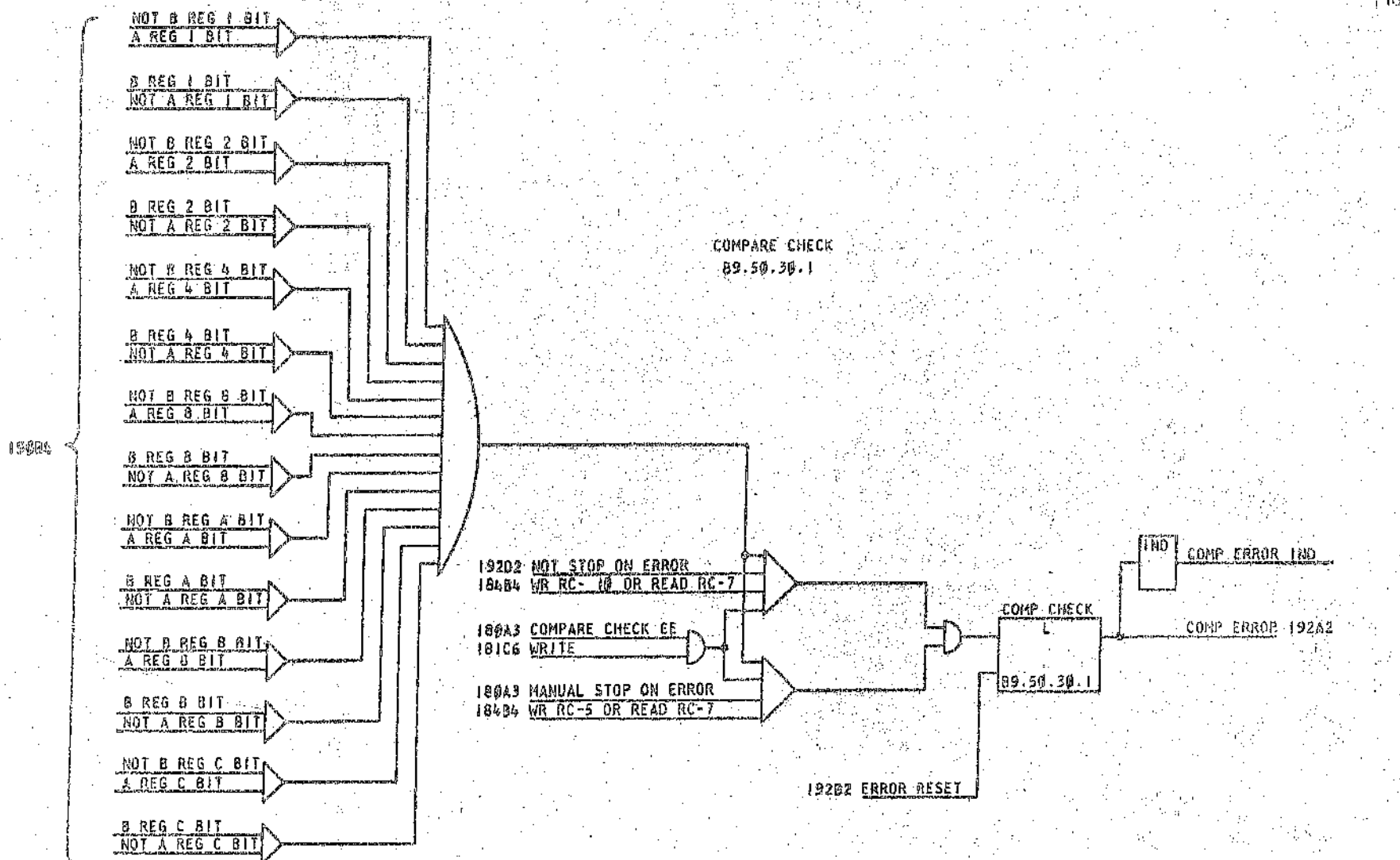
NOTES  
 1. ONE POSITION OF SEVEN SHOWN  
 2. APPEARS ON 1, 2, 4 AND 8 BIT POSITIONS ONLY

723760  
 FIG. 190

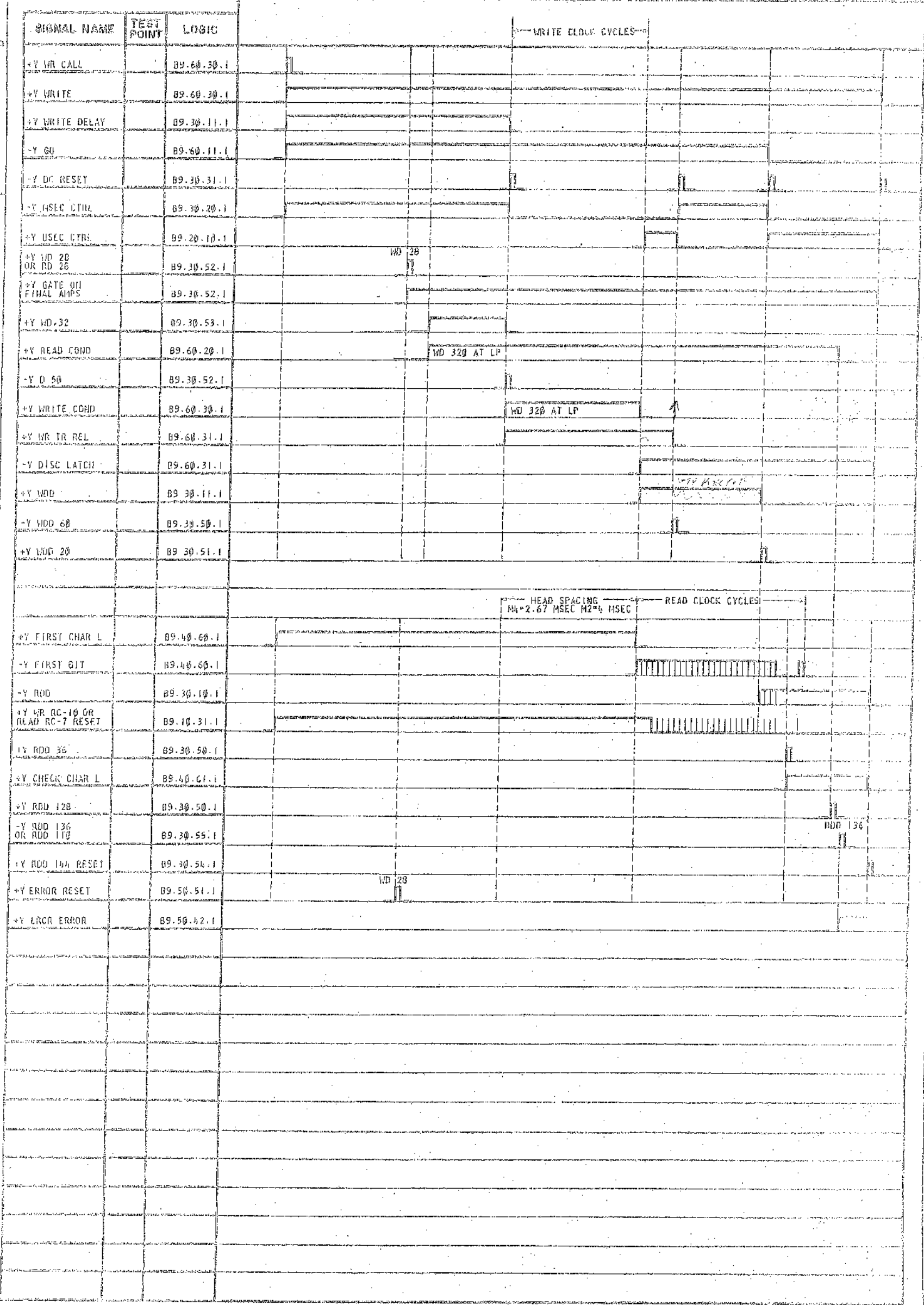




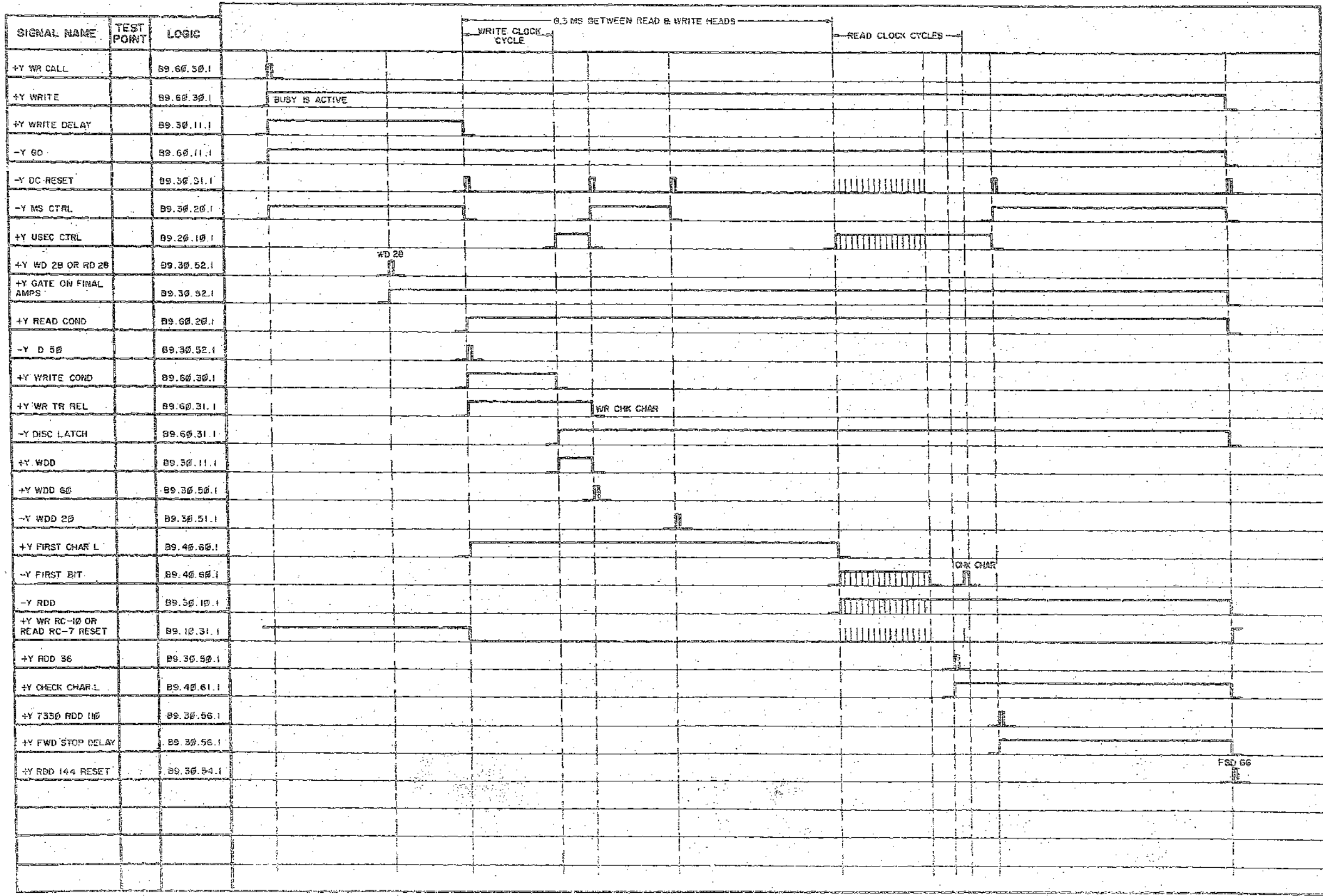
INTERNATIONAL BUSINESS MACHINES CORP					
DATE	CHANGE NO	DATE	CHANGE NO	FIG 191	ERROR CIRCUITS I
9-7-61	11226B				
				DESIGN	TYPE
				DETAIL	SCALE
				CHECK	DRAW VE 6-3-61
				APPRO	CHECK



DATE	CHANGE NO	DATE	CHANGE NO	INTERNATIONAL BUSINESS MACHINES CORP			
9-7-61	112226 B			FIG 192	ERROR CIRCUITS 2		
				DESIGN		TYPE	
				DETAIL		SCALE	
				CHECK		DRAW	VE 6-3-61
				APPRO		CHECK	



DATE	CHANGE NO	DATE	CHANGE NO	INTERNATIONAL BUSINESS MACHINES CORP
9/7/61	112226 B			FIG 195 729
WRITE OPERATION				
DESIGN		TYPE		
DETAIL		SCALE		
CHECK		DRAWN	VE	6-27-61
APPRO		CHECK		

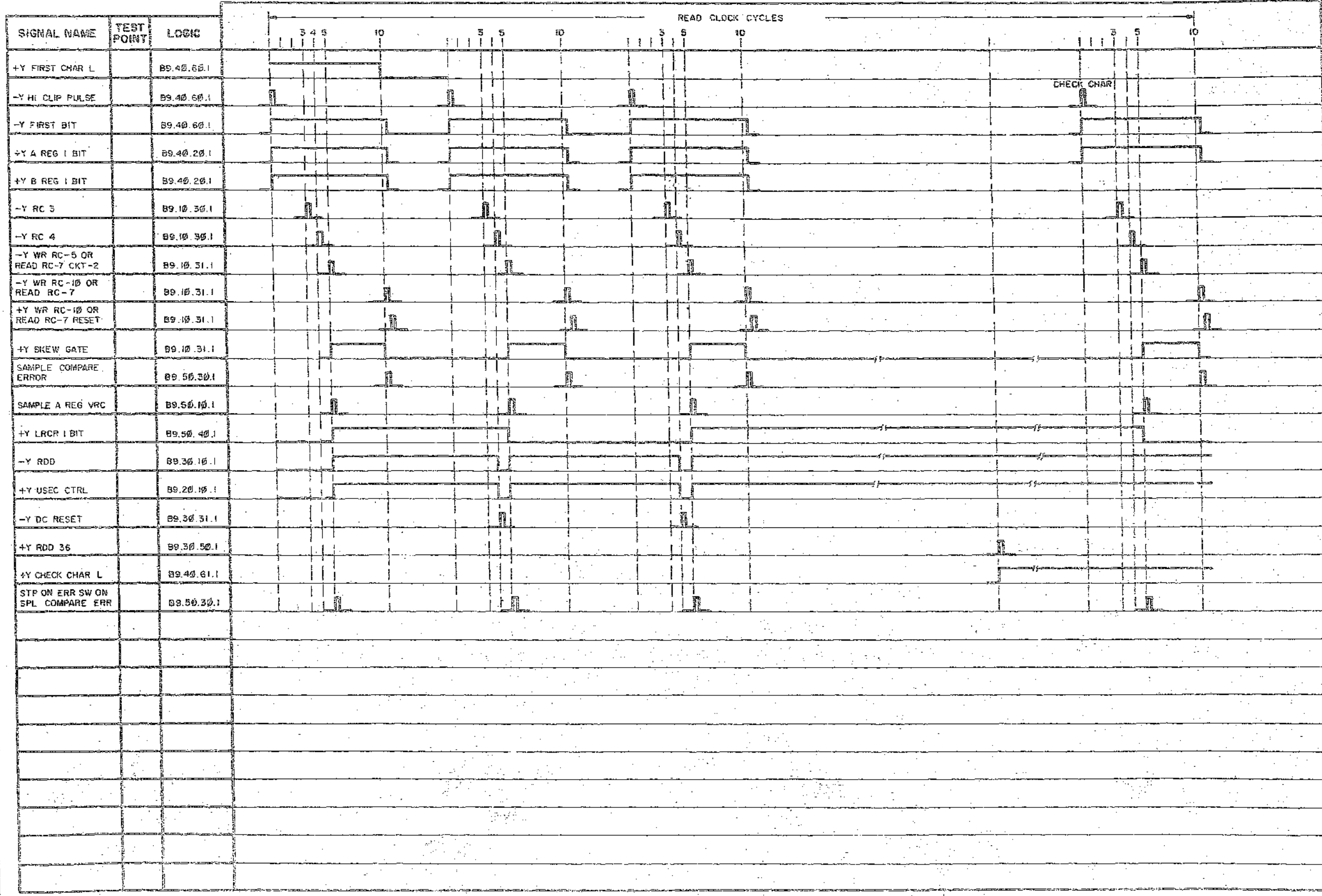


SIGNAL NAME	TEST POINT	LOGIC
+Y WR CALL		89.60.30.1
+Y WRITE		89.60.30.1
+Y WRITE DELAY		89.30.11.1
-Y GD		89.60.11.1
-Y DC-RESET		89.30.31.1
-Y MS CTRL		89.30.20.1
+Y USEC CTRL		89.20.10.1
+Y WD 2B OR RD 2B		89.30.52.1
+Y GATE ON FINAL AMPS		89.30.52.1
+Y READ COND		89.60.20.1
-Y D 5B		89.30.52.1
+Y WRITE COND		89.60.30.1
+Y WR TR REL		89.60.31.1
-Y DISC LATCH		89.60.31.1
+Y WDD		89.30.11.1
+Y WDD 6B		89.30.50.1
-Y WDD 2B		89.50.51.1
+Y FIRST CHAR L		89.40.60.1
-Y FIRST BIT		89.40.60.1
-Y RDD		89.50.10.1
+Y WR RC-10 OR READ RC-7 RESET		89.10.31.1
+Y RDD 36		89.30.50.1
+Y CHECK CHAR L		89.40.61.1
+Y 7350 RDD IN		89.30.56.1
+Y FWD STOP DELAY		89.30.56.1
+Y RDD 144 RESET		89.50.94.1

DATE	CHANGE NO.	DATE	CHANGE NO.
9-7-61	1122268		
INTERNATIONAL BUSINESS MACHINES CORP.			
FIG 195-1 7350 WRITE OPERATION			
DESIGN	CHECK	APPROV	
DETAIL	CHECK		
SCALE	DRAW		
TYPE	CHECK		

725704  
FIG 195-1

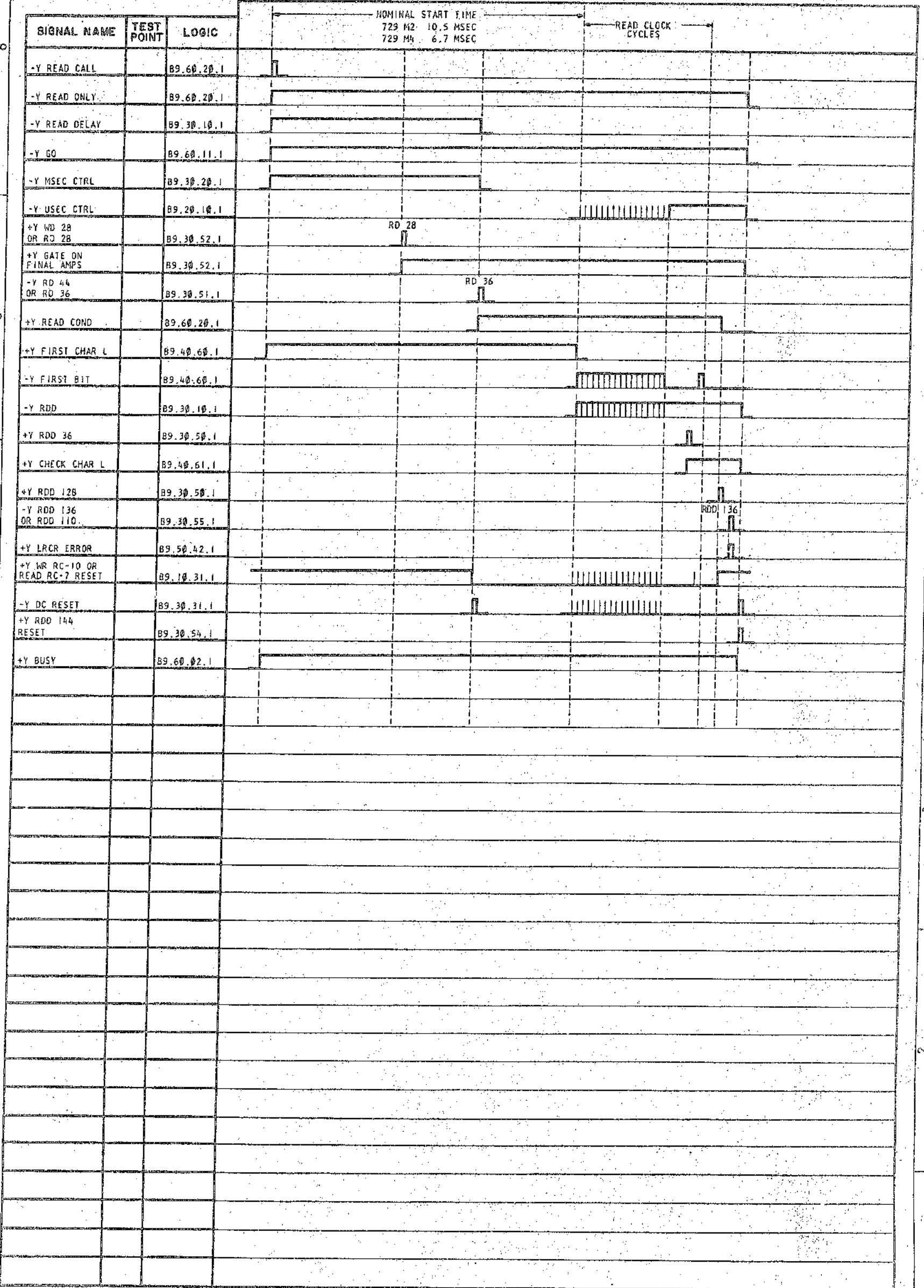




SIGNAL NAME	TEST POINT	LOGIC
+Y FIRST CHAR L	B9.40.60.1	
-Y HI CLIP PULSE	B9.40.60.1	
-Y FIRST BIT	B9.40.60.1	
+Y A REG 1 BIT	B9.40.20.1	
+Y B REG 1 BIT	B9.40.20.1	
-Y RC 3	B9.10.30.1	
-Y RC 4	B9.10.30.1	
-Y WR RC-5 OR READ RC-7 CKT-2	B9.10.31.1	
-Y WR RC-10 OR READ RC-7	B9.10.31.1	
+Y WR RC-10 OR READ RC-7 RESET	B9.10.31.1	
+Y SKEW GATE	B9.10.31.1	
SAMPLE COMPARE ERROR	B9.50.30.1	
SAMPLE A REG VRC	B9.50.10.1	
+Y LROR 1 BIT	B9.50.40.1	
-Y RDD	B9.30.10.1	
+Y USEC CTRL	B9.20.10.1	
-Y DC RESET	B9.30.31.1	
+Y RDD 36	B9.30.50.1	
+Y CHECK CHAR L	B9.40.61.1	
STP ON ERR SW ON SPL COMPARE ERR	B9.50.30.1	

DATE	CHANGE NO	DATE	CHANGE NO
9-7-61	11226B		
OPERATIONAL BUSINESS MATHEMATICS GROUP			
FIG 195-3 READ CLOCK CYCLES			
DESIGN	TYPE	SCALE	
DRAW	SCALE	DRAW	
CHECK	CHECK	CHECK	

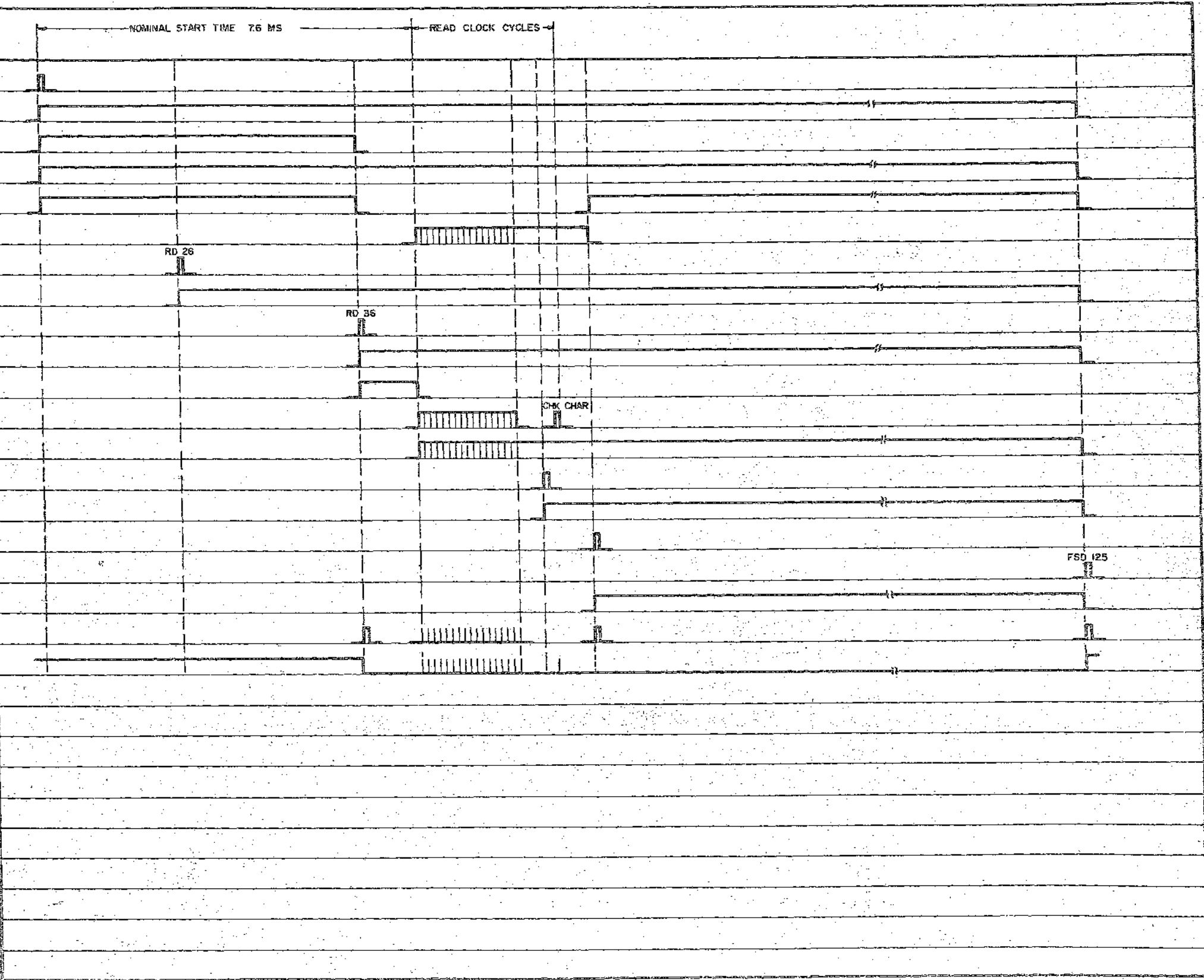
725766  
FIG 195-3



DATE	CHANGE NO	DATE	CHANGE NO	INTERNATIONAL BUSINESS MACHINES CORP			
9-7-61	112, 2, 4, 8			FIG 196	729 READ OPERATION		
				DESIGN		TYPE	
				DETAIL		SCALE	
				CHECK		DRAW	VE 7-12-61
				APPRO		CHECK	



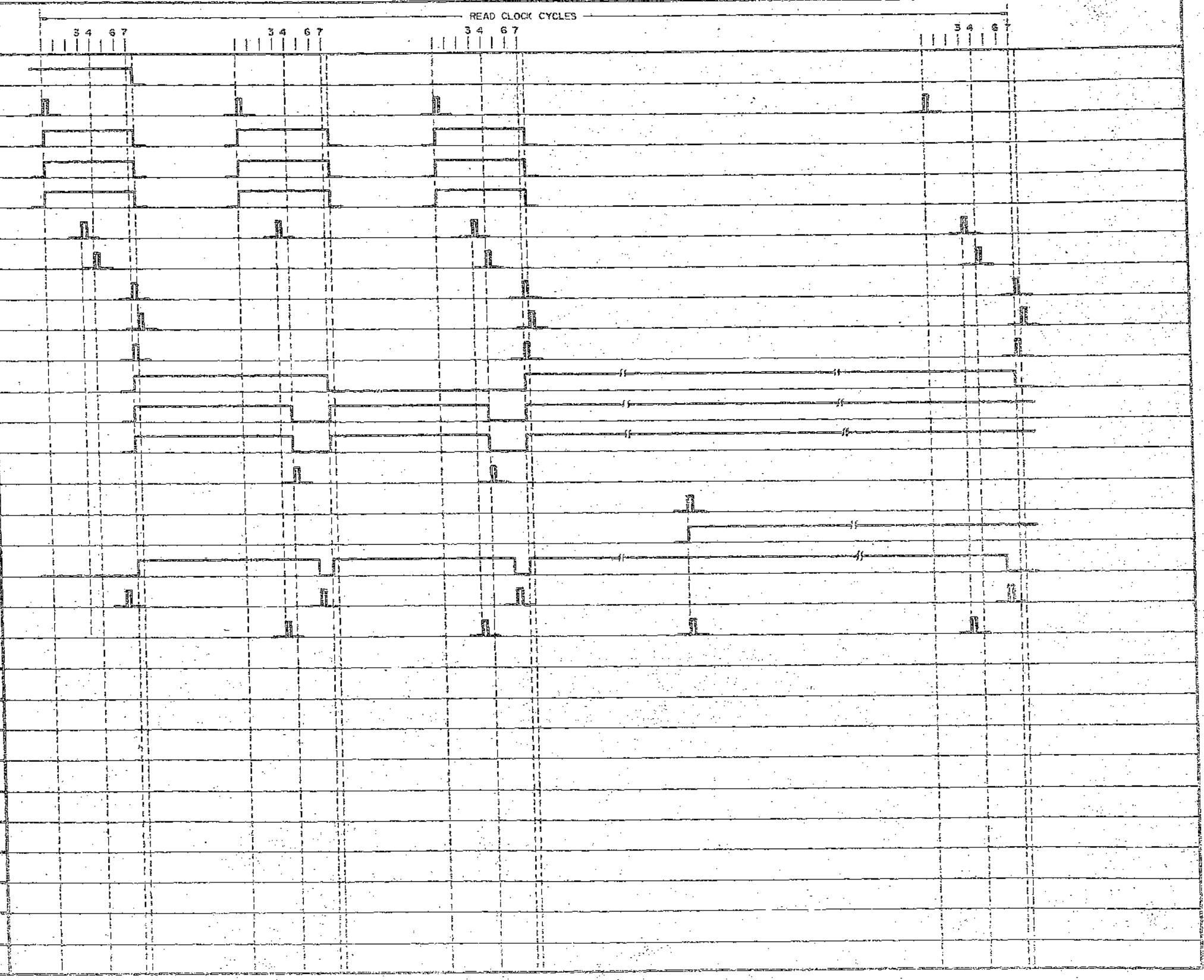
SIGNAL NAME	TEST POINT	LOGIC
-Y READ CALL		89.60.29.1
-Y READ ONLY		89.60.20.1
-Y READ DELAY		89.30.10.1
-Y GO		89.60.11.1
-Y MS CTRL		89.30.20.1
+Y USEC CTRL		89.20.10.1
+Y WD 28 OR RD 28		89.30.52.1
+Y GATE ON FINAL AMPS		89.30.52.1
-Y RD 44 OR RD 36		89.30.51.1
+Y READ COND		89.60.20.1
+Y FIRST CHAR L		89.40.60.1
-Y FIRST BIT		89.40.60.1
-Y RDD		89.30.10.1
+Y RDD 36		89.30.50.1
+Y CHECK CHAR L		89.40.61.1
+Y 7330 RDD 100		89.30.56.1
+Y RDD 144 RESET		89.30.54.1
+Y FWD STOP DELAY		89.30.56.1
-Y DC RESET		89.30.31.1
+Y WR RC-10 OR READ RC-7 RESET		89.10.31.1



DATE	CHANGE NO.	DATE	CHANGE NO.
9-7-61	1, 2, 2, 8		
INTERNATIONAL BUSINESS MACHINES CORP.			
FIG 196-1 7330 READ OPERATION			
DESIGN	TYPE	SCALE	
DETAIL			
CHECK			
APPRO			

FIG 196-1  
723760

SIGNAL NAME	TEST POINT	LOGIC
+Y FIRST CHAR L		89.40.60.1
-Y HI CLIP PULSE		89.40.60.1
-Y FIRST BIT		89.40.60.1
+Y A REG 1 BIT		89.40.20.1
+Y B REG 1 BIT		89.40.20.1
-Y RC 3		89.10.30.1
-Y RC 4		89.10.30.1
-Y WR RC-5 OR READ RC-7		89.10.31.1
+Y WR RC-10 OR READ RC-7 RESET		89.10.31.1
SAMPLE A & B REG		
+Y LROR 1 BIT		89.50.40.1
-Y RDD		89.30.10.1
+Y USEC CTRL		89.20.10.1
-Y DC RESET		89.30.31.1
+Y RDD 36		89.30.50.1
+Y CHECK CHAR L		89.40.61.1
+Y R-W REG 1 BIT		89.40.50.1
+Y RC 6		89.10.30.1
SAMPLE R-W REG VRC		89.50.20.1



DATE	CHANGE NO	DATE	CHANGE NO
9-7-61	1122268		

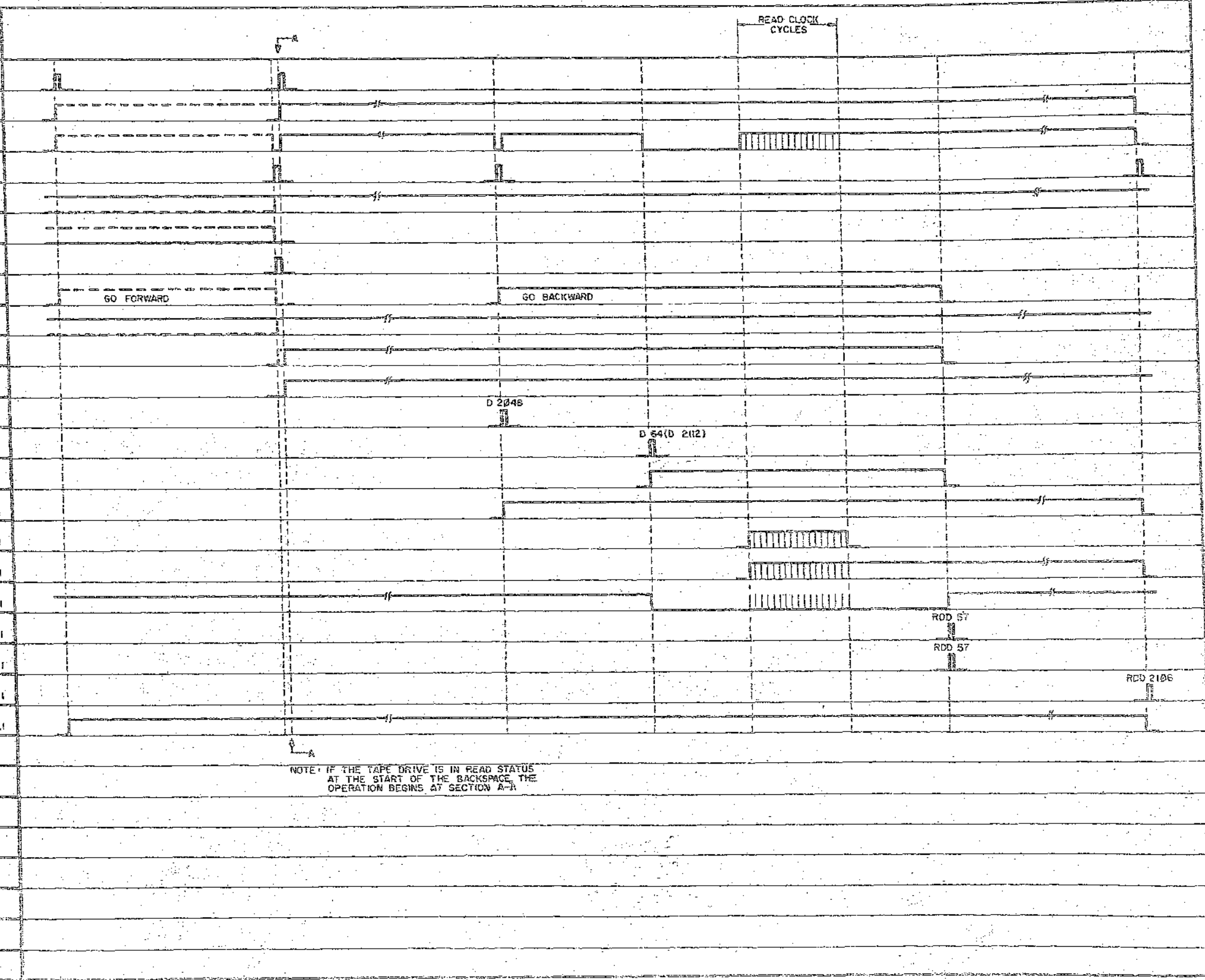
DESIGN	TYPE
DETAIL	SCALE
CHECK	DRAWN
APPROV	CHECK

INTERNATIONAL BUSINESS MACHINES CORP  
 FIG 196-2 READ CLOCK CYCLES  
 729 7330 READ OPERATION

729/69  
 FIG 196-2



SIGNAL NAME	TEST POINT	LOGIC
-Y BKSP CALL		B9.60.40.1
+Y BACKSPACE		B9.60.40.1
-Y MSEC CTRL		B9.30.20.1
+Y DC RESET		B9.30.31.1
-Y SEL + RDY + READ		B9.60.10.1
-Y SEL + RDY + WRITE		B9.60.10.1
+Y 7330 WR BKSP D-128		B9.30.53.1
-Y GO		B9.60.11.1
-Y D 96		B9.30.53.1
+Y BACKWARD		B9.60.40.1
-N SET READ STATUS 7330		B9.60.20.1
+Y D 160 OR D 2048		B9.50.54.1
+Y D 180 OR D 64		B9.30.54.1
+Y READ COND		B9.30.20.1
+Y GATE ON FINAL AMPS		B9.30.52.1
-Y FIRST BIT		B9.40.60.1
-Y RDD		B9.30.10.1
+Y WR RC-10 OR READ RC-7 RESET		B9.10.31.1
+Y RDD 4 OR RDD 57		B9.30.50.1
-Y END BKWD STOP DELAY		B9.30.51.1
+Y RDD 152 OR RDD 2106		B9.30.55.1
+Y BUSY		B9.60.02.1



NOTE: IF THE TAPE DRIVE IS IN READ STATUS AT THE START OF THE BACKSPACE, THE OPERATION BEGINS AT SECTION A-A

DATE	CHANGE NO	DATE	CHANGE NO
9-7-61	1122368		
INTERNAL BUSINESS UNIT F10 107-1 7330 BACKSPACE OP			
DESIGN	TYPE	CHECK	SCALE
APPROV	DRAW	CHECK	ORIGIN

23771