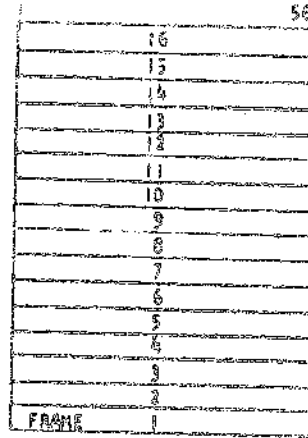
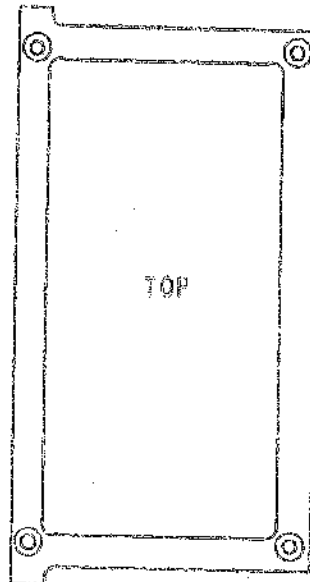
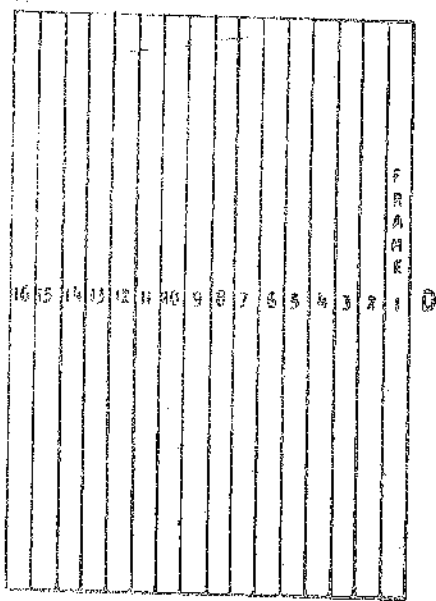


STORAGE CORE FRAME



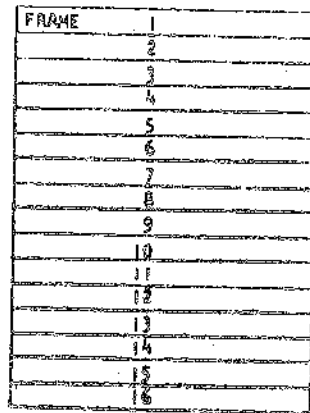
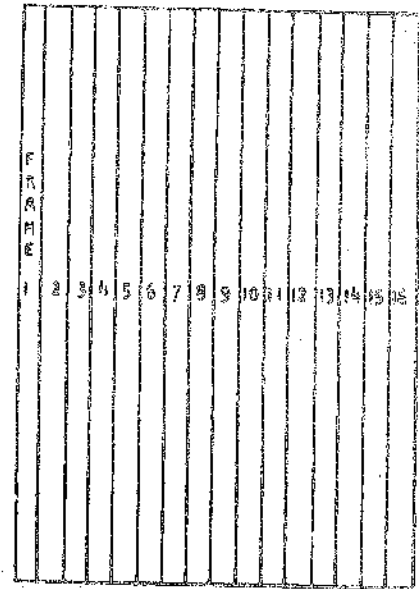
A

8 X 10 MATRIX SWITCH (BACK SIDE)



C

10 X 10 MATRIX SWITCH (BACK SIDE)



56

REFERENCE DRAWING  
905437

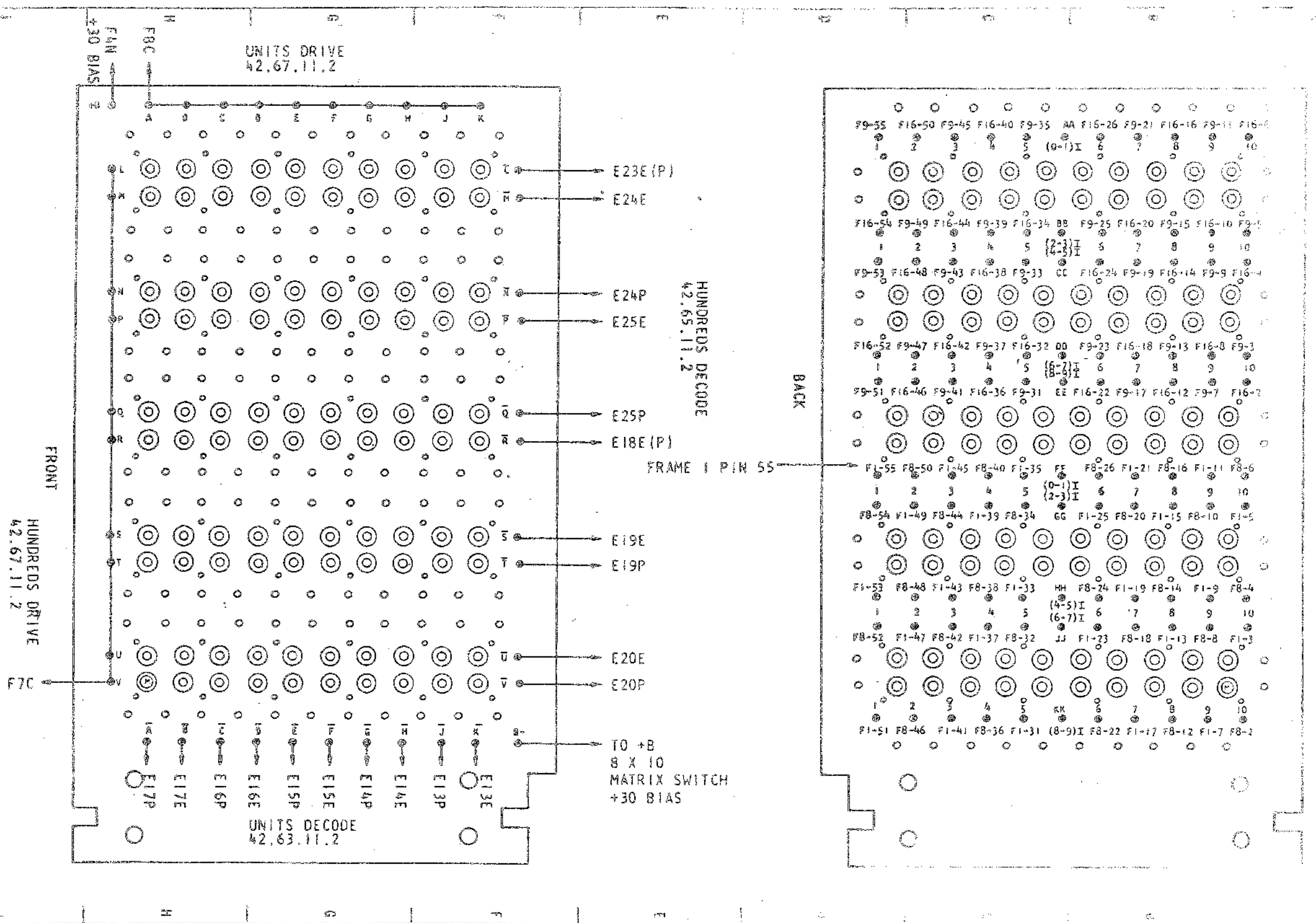
10 X 10 MATRIX SWITCH  
FOR 1406 BK ARRAY

06B

12.60  
DUPLICATE

TAG DATE  
8 28-5-61  
TA 37815

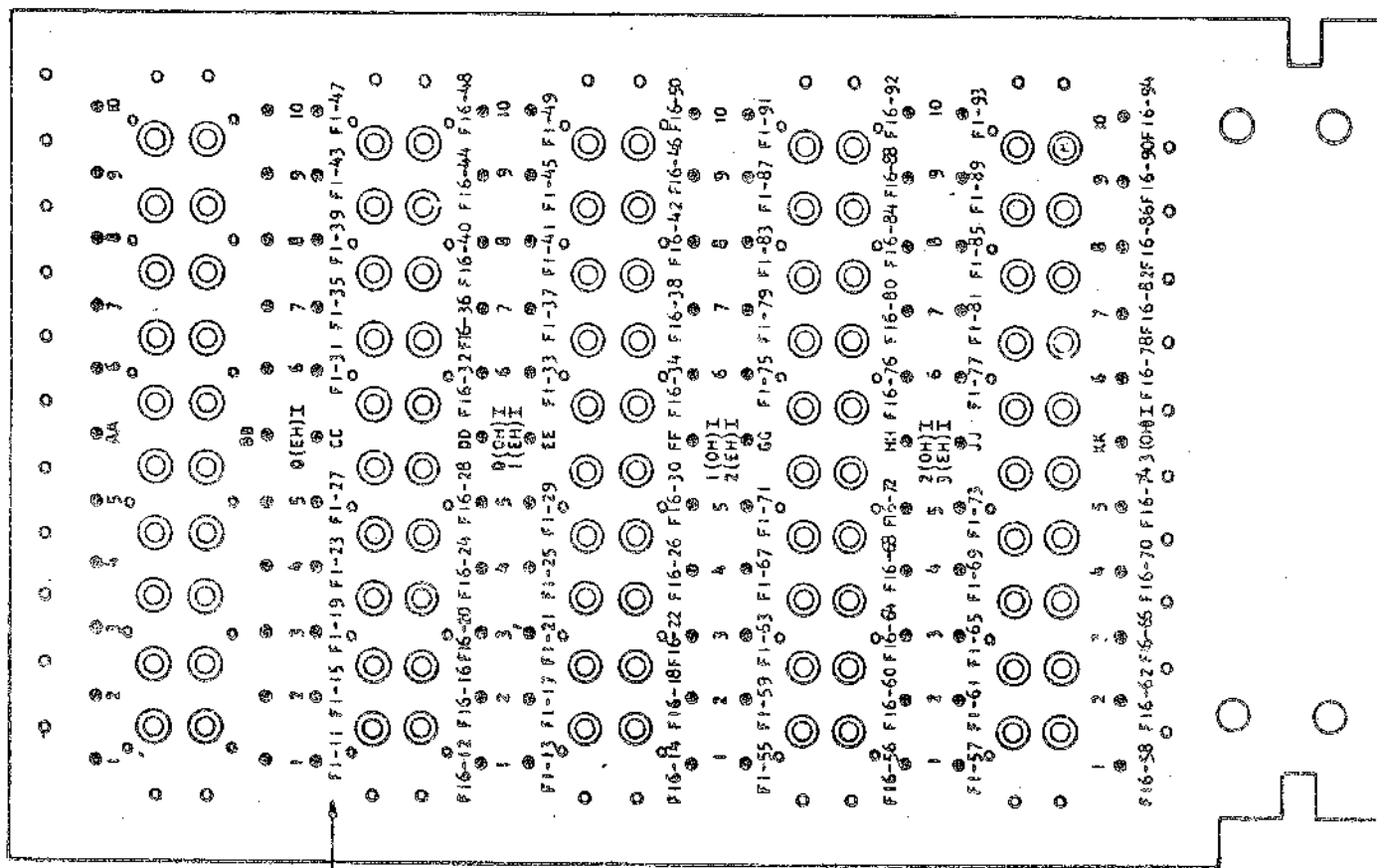
ALL WIRES GO TO SIDE C OF FRAMES I AND 16  
10-11 ZERO AND ONE HUNDREDS TERMINAL ON RESISTOR BOARD



EQ NO DATE  
127-60 109525B  
3-31-61 109566

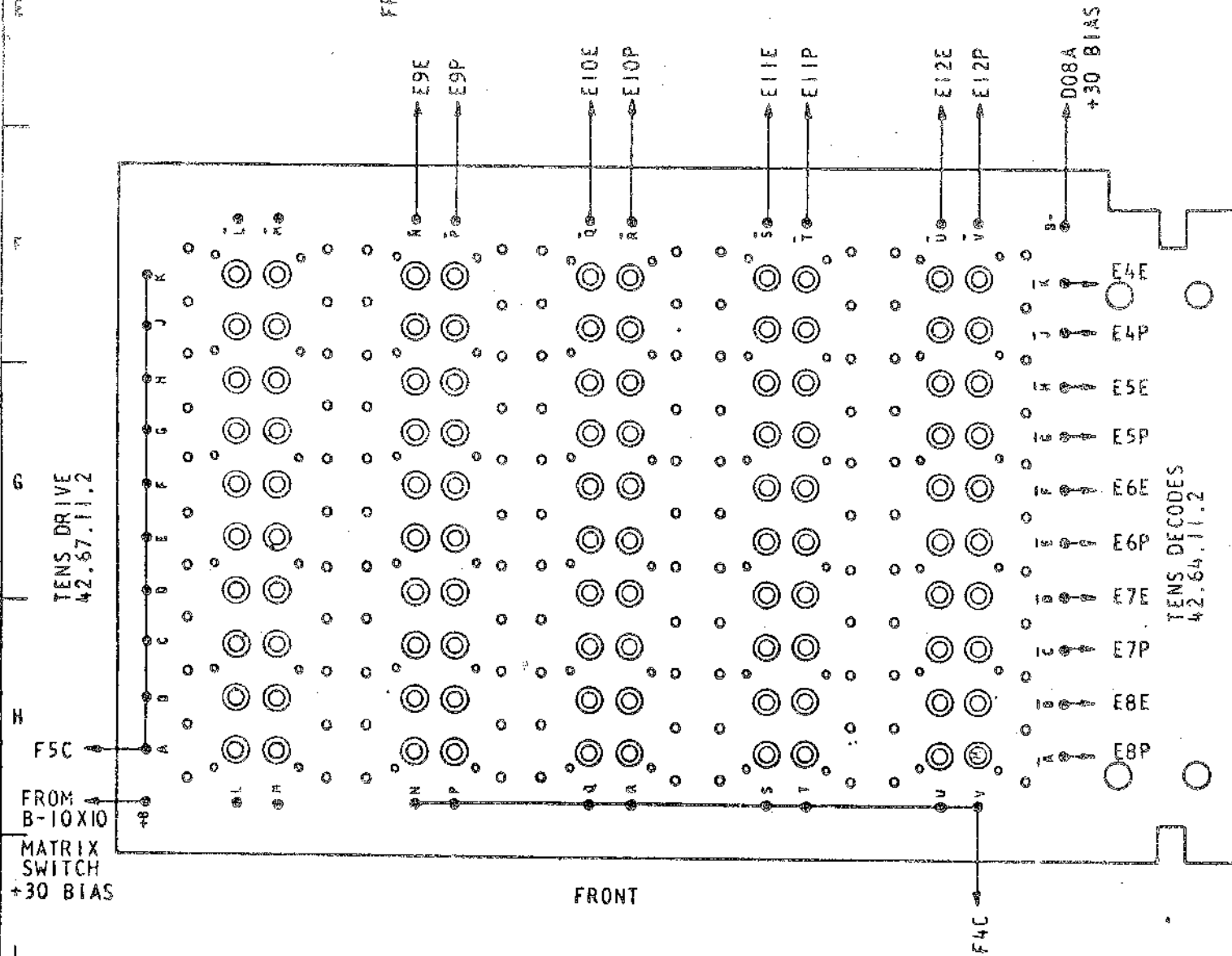
EQ NO DATE  
EQ NO DATE  
EQ NO

ALL WIRES GO TO SIDE D OF FRAMES 1 AND 16  
O(EH)I=ZERO THOUSAND -EVEN HUNDREDS -I TERMINAL  
I(OH)I=ONE THOUSAND -ODD HUNDREDS -I TERMINAL



BACK

THOUSAND AND HUNDREDS 1  
DECODES 42.66.11.2



FRONT

TENS DRIVE  
42.67.11.2

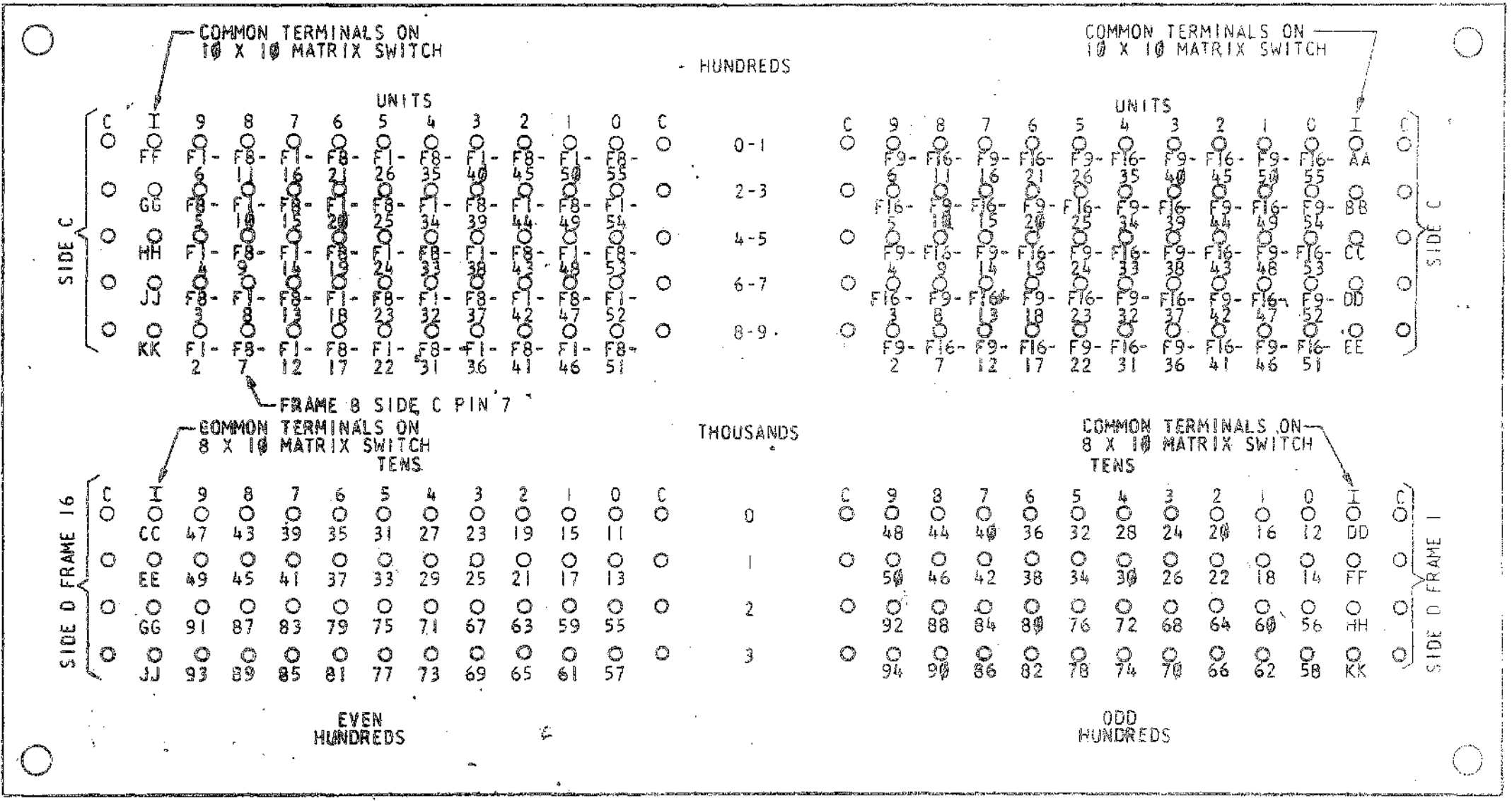
F5C  
FROM  
B-10X10  
MATRIX  
SWITCH  
+30 BIAS

TENS DECODES  
42.64.11.2

THOU - HI DRIVE  
42.67.11.2

DATE	EC NO	DATE	EC NO	DATE	EC NO
1-26-61	109556				
3-31-61	109566				

805438

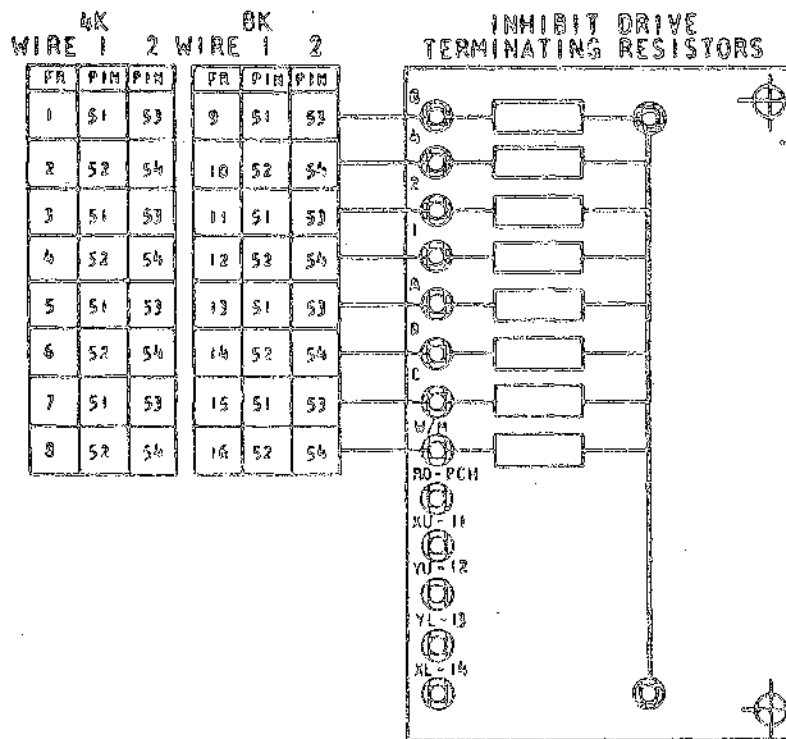


DATE	EC NO	DATE	EC NO
10-12-60	109540	10-27-60	109541
DATE	EC NO	DATE	EC NO

0000000000

DUPLICATE

CORE ARRAY  
TERMINATIONS  
SIDE D



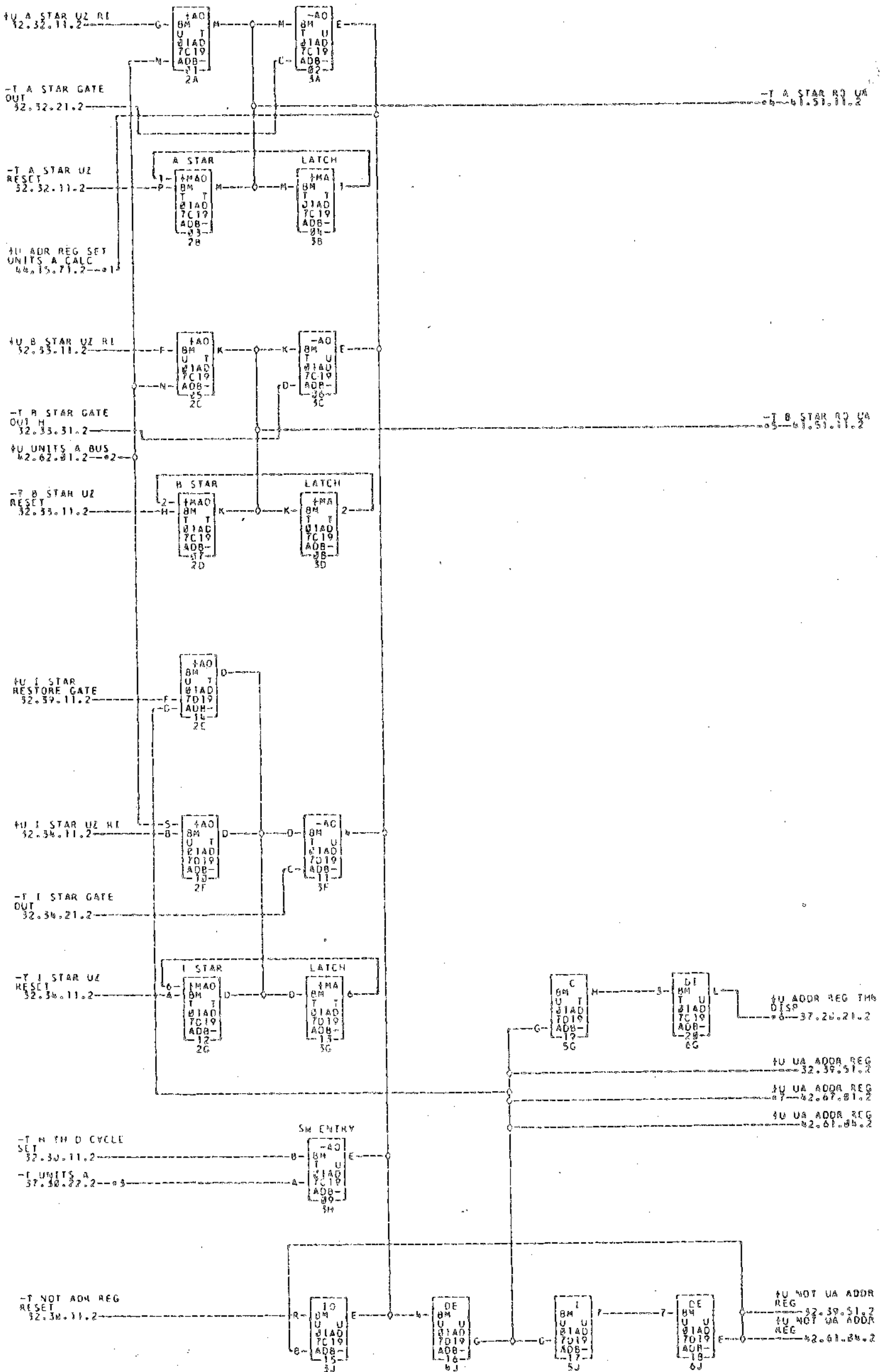
FILTER CAPACITOR  
CHART

FROM PIN	POLARITY	PART NUMBER	TO PIN
D06D	+	124588	D06K
D07D	+	124588	D07J
D09C	+	124588	D09M
D12D	+	124588	D12K
D13D	+	124588	D13J
D15G	+	124588	D15M
D18D	+	124588	D18K
D19D	+	124588	D19J
D21G	+	124588	D21M
D24D	+	124588	D24K
E06N	+	803005	E05M
E11N	+	803005	E10M
E16N	+	803005	E15M
E24N	+	803005	E23M
E08J	+	124588	E08K
E12J	+	124588	E12K
E16J	+	124588	E16K
E20J	+	124588	E20K
F04F	+	124588	F04M
F07F	+	124588	F07M
F10N	+	803005	F09P
F14D	+	124588	F14J
F17D	+	124588	F17K
F18D	+	124588	F18J
F19D	+	124588	F19J
F20D	+	124588	F20J
F21D	+	124588	F21J
F22F	+	124588	F22M
F23D	+	124588	F23K
F23N	+	803005	F22P

COMMENTS:

THIS INFORMATION APPLIES TO EITHER  
THE 4K OR 8K STORAGE CHASSIS IN THE 1A06

DATE	EC NO	DATE	EC NO	DATE	EC NO
10-27-60	109541				
1-26-61	109556				



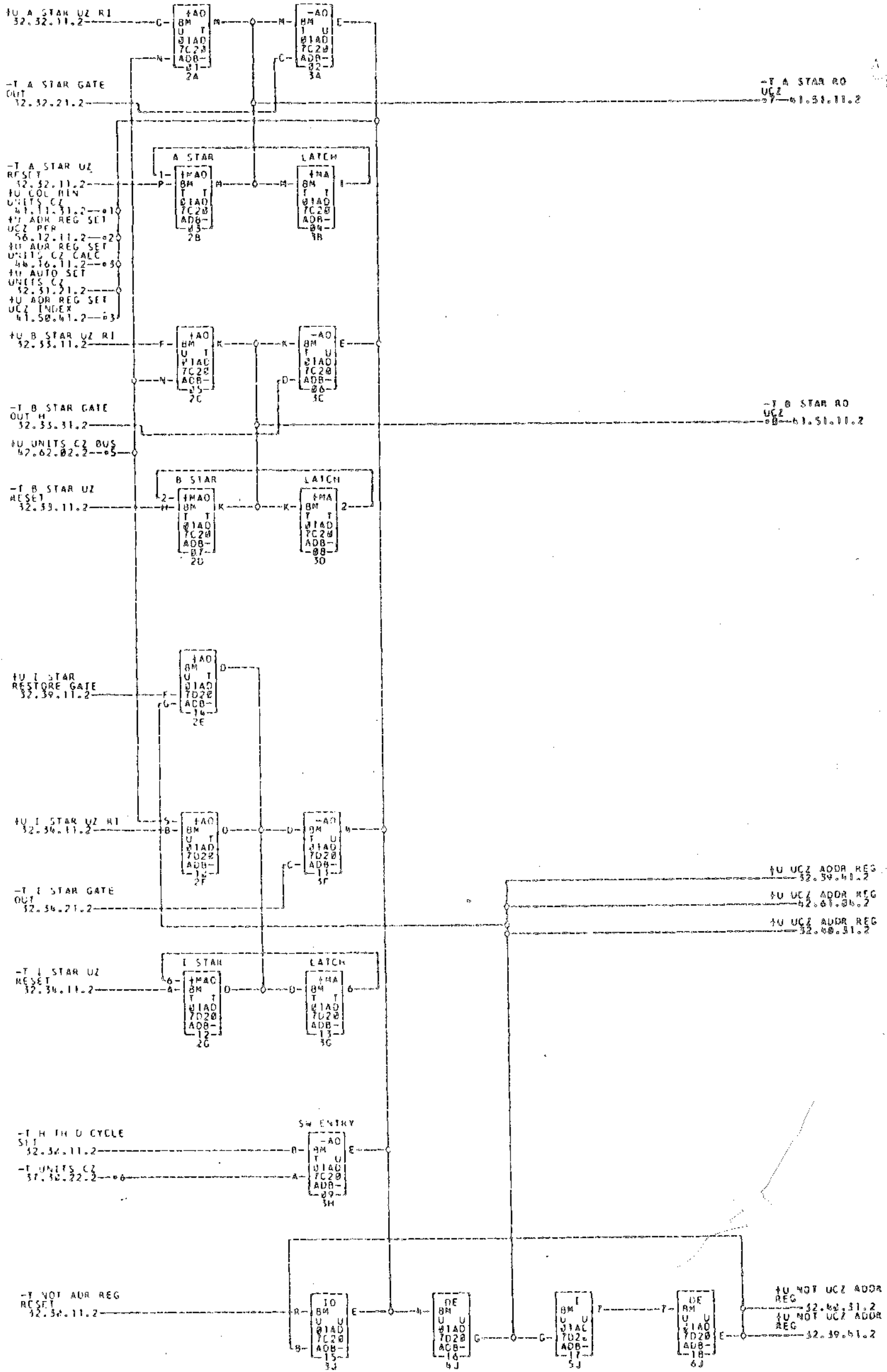
- 01--21A7E2JA      02--21A7F26P      03--21A7E23D      04--21A7E23G      05--21A8B26C      06--21A8C26A
- 07--22A9182A      08--22B6E82A      09--21A7E25K      10--21A8B26K      11--21A8C268      12--22A9F82B
- 13--22B6E82B      14--21A7A25R      15--21A8C26L      16--21A2A82L      17--21A7F23L
- 18--26B7A26L

722766

D 8.4.61  
TA 37597A

TAG DATE

E 15.5.61  
TA 37618A



- 01--01A7A23B      02--01A7A23A      03--01A7E23B      04--01A7E23C      05--01A7E23E      06--01A7E23H
- 07--01A7E23L      08--01A7E23L      09--01A7E23L      10--01A7E23L
- 11--01A7A23B      12--01A7A23A      13--01A7E23B      14--01A7E23C      15--01A7E23E      16--01A7E23H
- 17--01A7E23L      18--01A7E23L      19--01A7E23L      20--01A7E23L

COMMENTS

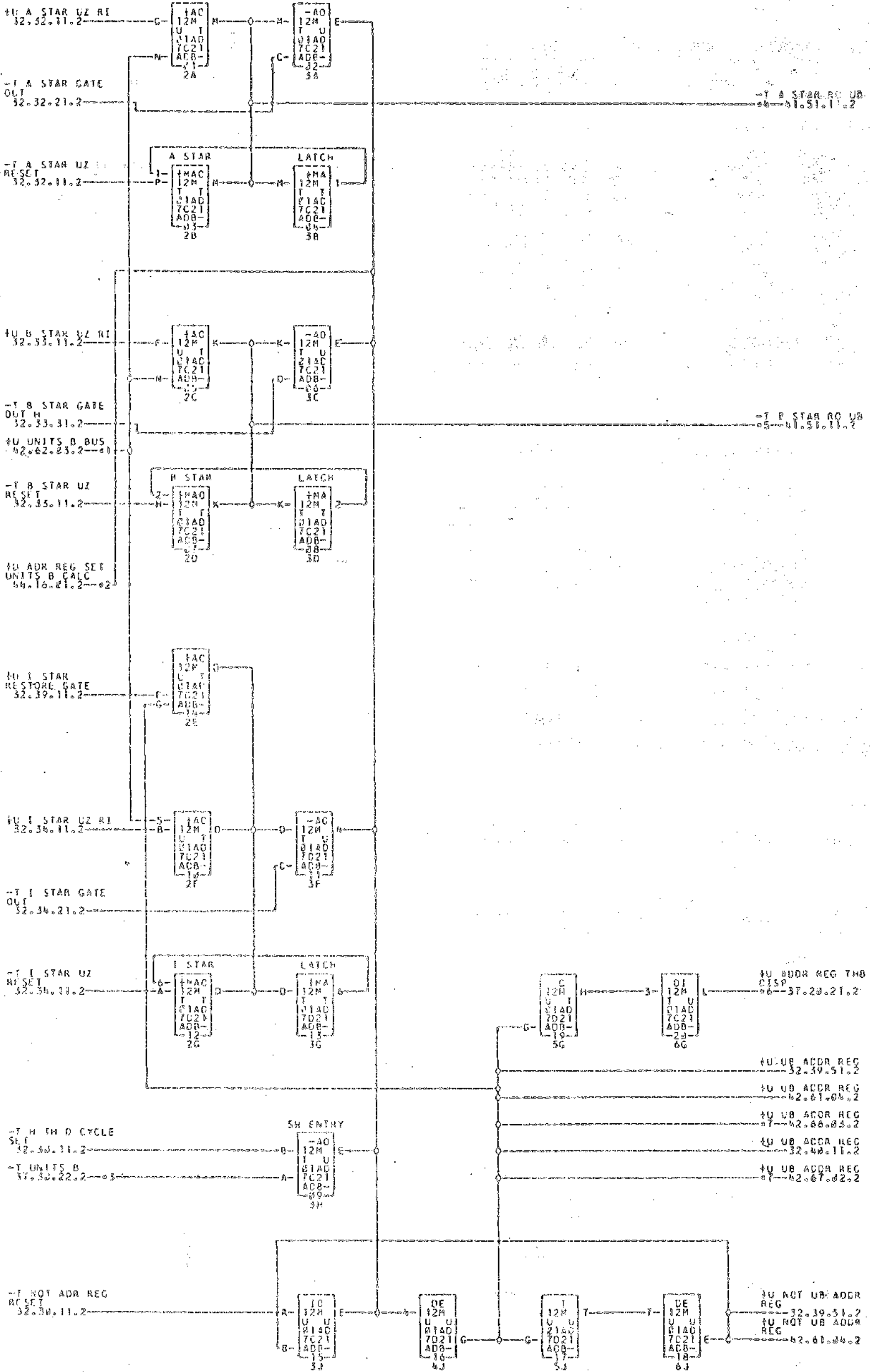
TAG DATE	E.C.NO.	TAG DATE	E.C.NO.	TAG DATE	E.C.NO.	TAG DATE	E.C.NO.
A 11-18-60	109511B	B 12-01-60	110513C	C 12-15-60	110616	D 12-28-60	110618
E 03-08-61	110631B						

722767

D 8.4.61  
TA 37597A

F 15.5.61  
TA 37618A

G 12.6.61  
TA 37669A



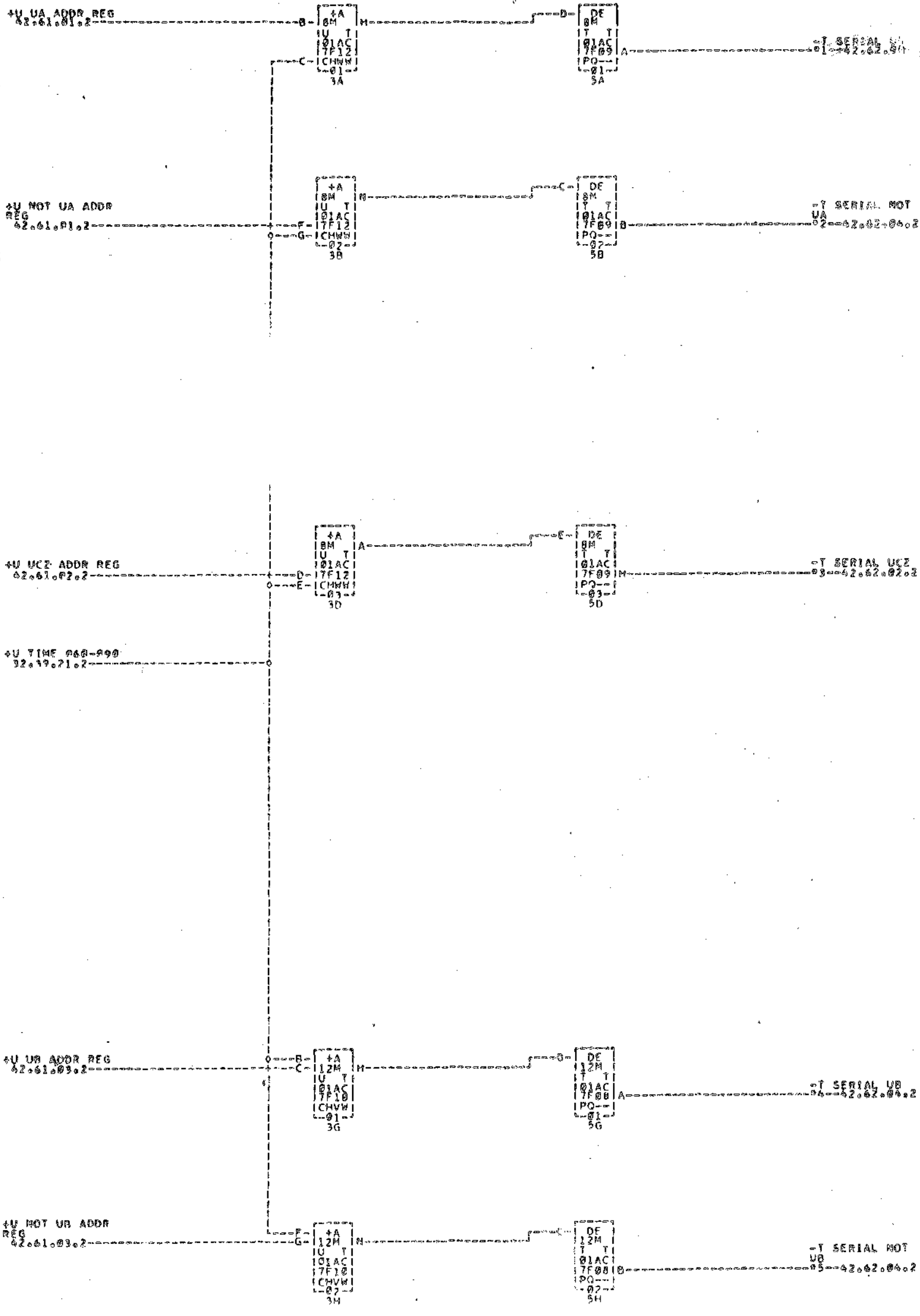
- 01-01A7E269
- 02-01A7E26C
- 03-01A7E26F
- 04-01A7E273
- 05-01A7E278
- 06-01A7E284
- 07-01A7E289
- 08-01A7E295
- 09-01A7E301
- 10-01A7E307
- 11-01A7E313
- 12-01A7E319
- 13-01A7E325
- 14-01A7E331
- 15-01A7E337
- 16-01A7E343
- 17-01A7E349
- 18-01A7E355
- 19-01A7E361
- 20-01A7E367
- 21-01A7E373
- 22-01A7E379
- 23-01A7E385
- 24-01A7E391
- 25-01A7E397
- 26-01A7E403
- 27-01A7E409
- 28-01A7E415
- 29-01A7E421
- 30-01A7E427
- 31-01A7E433
- 32-01A7E439
- 33-01A7E445
- 34-01A7E451
- 35-01A7E457
- 36-01A7E463
- 37-01A7E469
- 38-01A7E475
- 39-01A7E481
- 40-01A7E487
- 41-01A7E493
- 42-01A7E499
- 43-01A7E505
- 44-01A7E511
- 45-01A7E517
- 46-01A7E523
- 47-01A7E529
- 48-01A7E535
- 49-01A7E541
- 50-01A7E547
- 51-01A7E553
- 52-01A7E559
- 53-01A7E565
- 54-01A7E571
- 55-01A7E577
- 56-01A7E583
- 57-01A7E589
- 58-01A7E595
- 59-01A7E601
- 60-01A7E607
- 61-01A7E613
- 62-01A7E619
- 63-01A7E625
- 64-01A7E631
- 65-01A7E637
- 66-01A7E643
- 67-01A7E649
- 68-01A7E655
- 69-01A7E661
- 70-01A7E667
- 71-01A7E673
- 72-01A7E679
- 73-01A7E685
- 74-01A7E691
- 75-01A7E697
- 76-01A7E703
- 77-01A7E709
- 78-01A7E715
- 79-01A7E721
- 80-01A7E727
- 81-01A7E733
- 82-01A7E739
- 83-01A7E745
- 84-01A7E751
- 85-01A7E757
- 86-01A7E763
- 87-01A7E769
- 88-01A7E775
- 89-01A7E781
- 90-01A7E787
- 91-01A7E793
- 92-01A7E799
- 93-01A7E805
- 94-01A7E811
- 95-01A7E817
- 96-01A7E823
- 97-01A7E829
- 98-01A7E835
- 99-01A7E841
- 00-01A7E847

COMMENTS

TAG DATE	E.C.NO.	TAG DATE	E.C.NO.	TAG DATE	E.C.NO.	TAG DATE	E.C.NO.
11-18-60	109511B	12-21-60	112413C	12-15-60	112416	12-28-60	112416
12-22-61	110430	03-06-61	112431B	23-22-61	112437F		

122768





01--01A7F26J    02--01A7F26K    03--01A7F26M    04--01A7F26N  
 06--01A7F26L    05--01A7F26H    07--01A7F26I    08--01A7F26O

COMMENTS	TAG DATE	E.C.NO.	TAG DATE	E.C.NO.	TAG DATE	E.C.NO.	TAG DATE	E.C.NO.
	A 11-10-60	1095118	B 12-15-60	110410	C 12-28-60	110410		

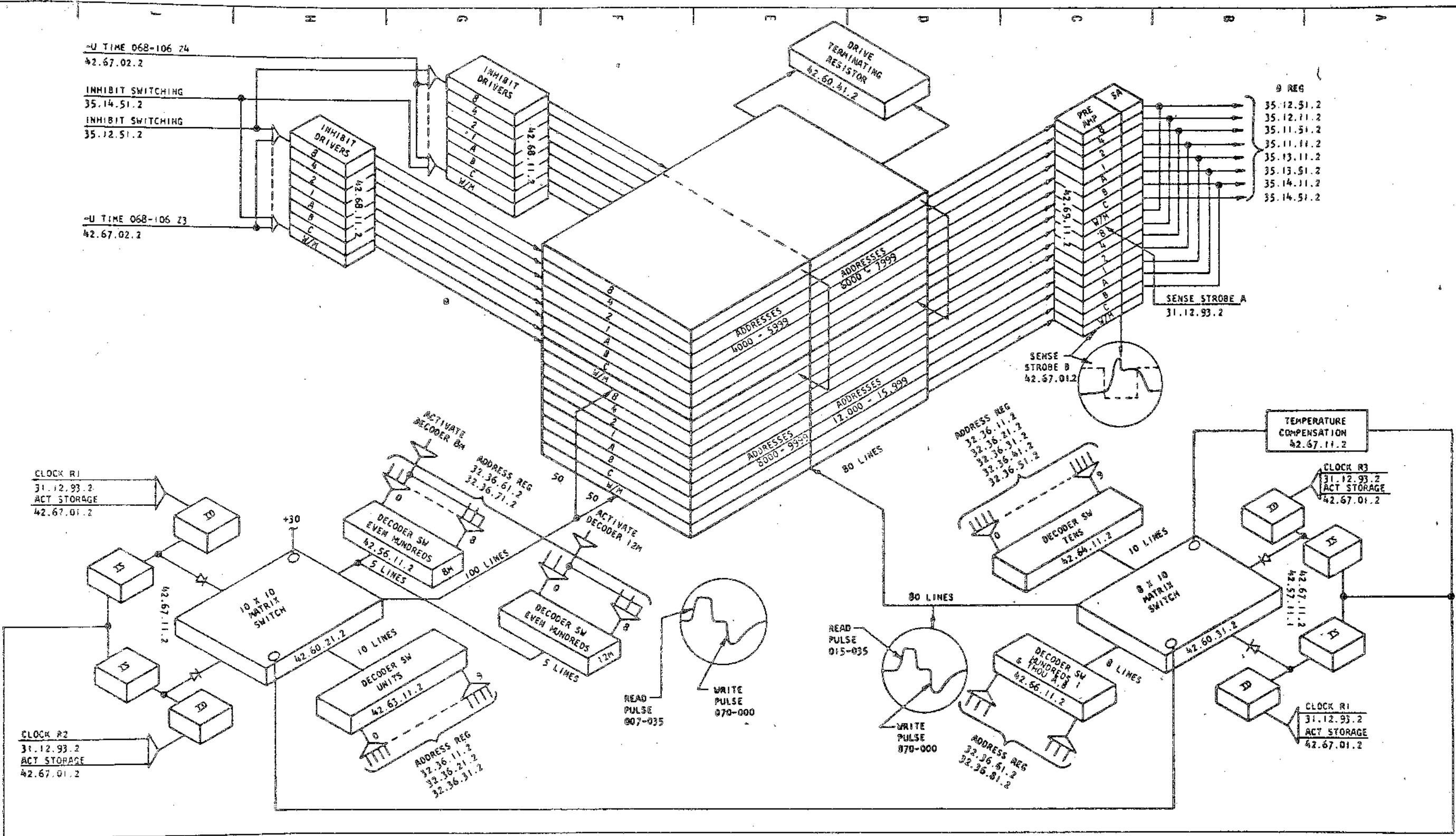
722769

805452  
REFERENCE DRAWING

8K STORAGE BLOCK DIAGRAM

06B1

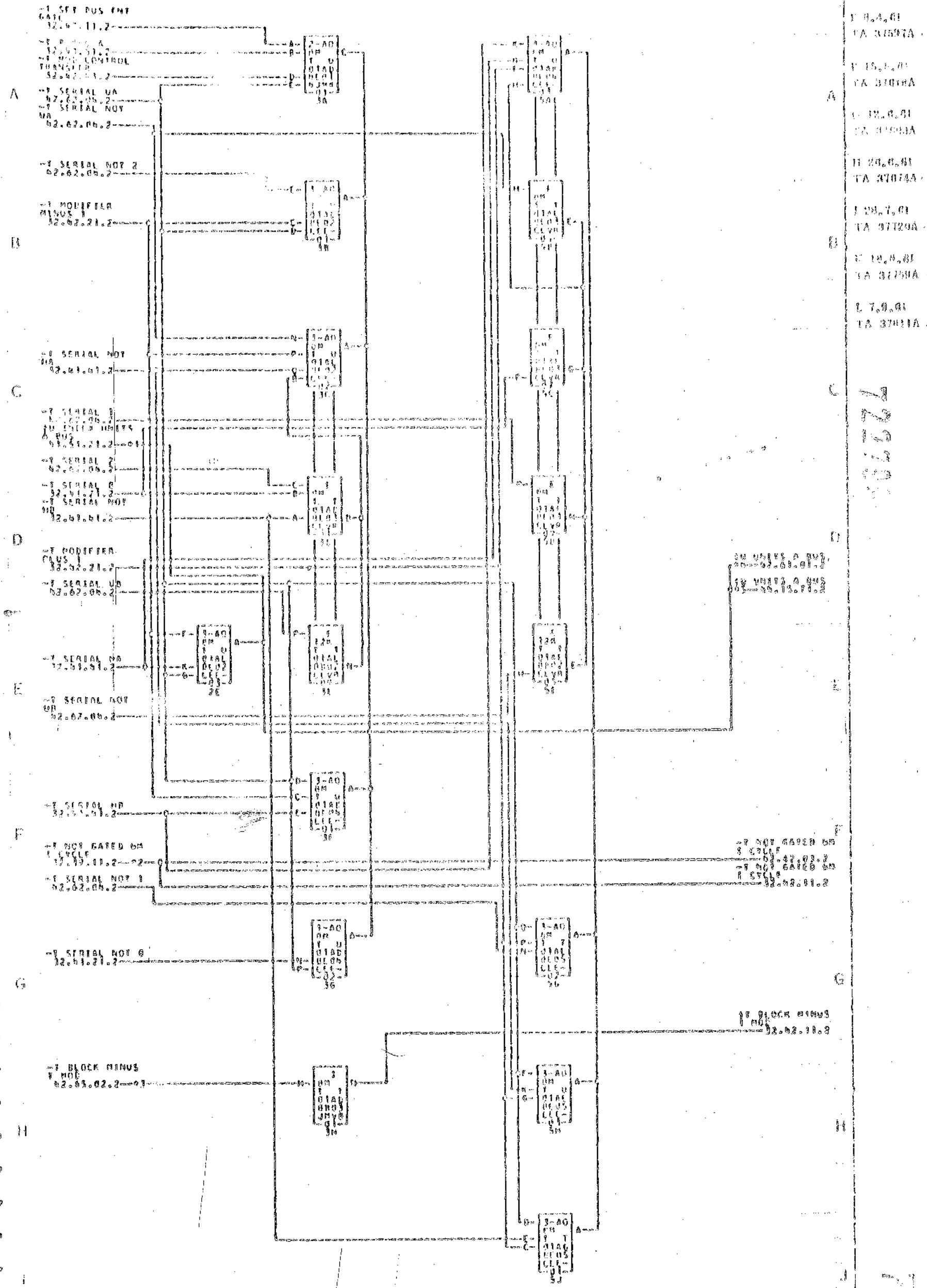
42.61.11.2  
DUPLICATE



DATE 10-12-60 EC NO 109540  
1-26-61 109556  
3-31-61 109566  
DATE 10-12-60 EC NO 109540  
1-26-61 109556  
3-31-61 109566  
DATE 10-12-60 EC NO 109540  
1-26-61 109556  
3-31-61 109566

805452

TAG DATE  
C 80.5.01  
TA 97015A



0122700

01--01AR206    02--01AR206    03--01AR230    04--01AR215B    05--01AR206    06--01AR206

COMMENTS

TAG	DATE	F.C.NO.	TAG	DATE	F.C.NO.	TAG	DATE	F.C.NO.	TAG	DATE	F.C.NO.
A	11-10-60	108112	B	12-01-60	108113	C	12-11-60	108114	D	12-20-60	108115
J	05-23-61	108563	K	06-20-61	108564	L	07-10-61	108565	M	08-03-61	108566

1. S. I. BUS UNIT  
DATE 42.62.11.2

1. R. RIG. CZ  
DATE 42.61.01.2  
1. MCI CONTROL  
TRANSFER  
DATE 42.62.41.2

1. SERIAL NOT  
UT  
DATE 42.62.04.2

1. SERIAL 2  
DATE 42.62.04.2

1. SERIAL NOT 1  
DATE 42.62.04.2

1. MODIFIER  
MINUS  
DATE 42.62.21.2  
1. SERIAL NOT  
HA  
DATE 42.61.41.2

1. SERIAL NOT 2  
DATE 42.62.04.2

1. SERIAL UCZ  
DATE 42.61.04.2

1. SERIAL NOT 1  
DATE 42.61.21.2

1. MODIFIER  
PLUS  
DATE 42.62.21.2

1. SERIAL 8  
DATE 42.61.21.2

1. SERIAL NOT  
HA  
DATE 42.61.61.2

1. UNITS INDEX  
C ZONE BUS  
DATE 42.61.21.2

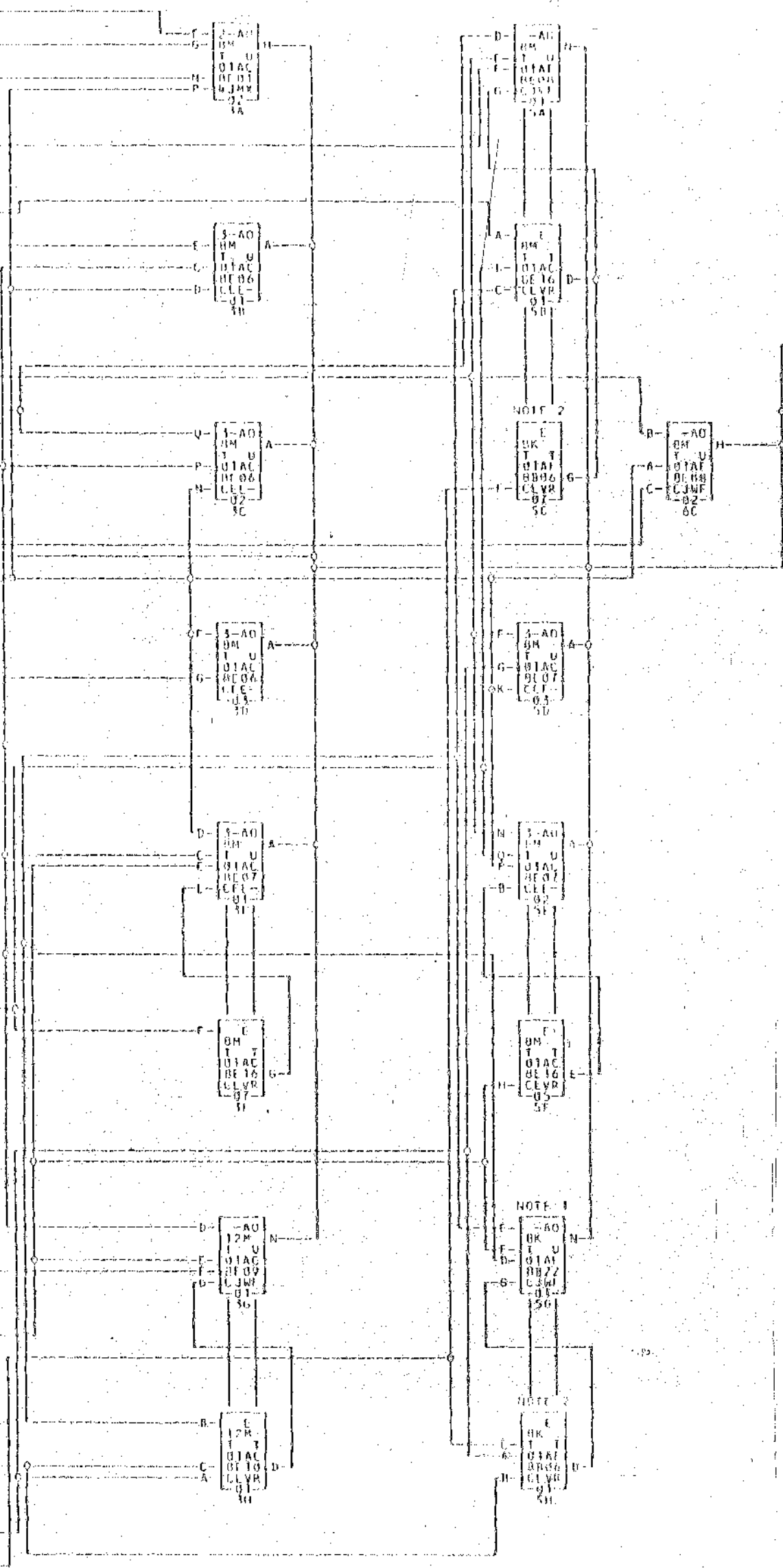
1. SERIAL UN  
DATE 42.62.04.2

1. SERIAL HD  
DATE 42.61.41.2

1. SERIAL 1  
DATE 42.62.04.2

1. SERIAL HA  
DATE 42.61.41.2

1. SERIAL UA  
DATE 42.62.04.2



- \*1--01A9B24N  
02B7C01R
- \*2--01AUC24J  
02A7C26R
- \*3--01AUC26A  
\*4--01ABB26R
- \*5--01A7A02A  
01A7E26R
- \*6--01A2A16M
- \*7--02B7D02M

NOTE 1 B27 IS ALDED FOR BK STORAGE ONLY  
NOTE 2 B06 IS ADDED FOR BF AND 12K ONLY.

REV	DATE	F.C.NO.	REV	DATE	F.C.NO.	REV	DATE	F.C.NO.	REV	DATE	F.C.NO.
A	12-10-60	110411	B	12-14-60	110417	C	12-28-60	110418	D	01-16-61	110427
E	01-26-61	110423	F	03-21-61	110431	G	06-29-61	110446			

722800

-T SER BUS ENT  
GATE  
32-62-01.2

-T D REG B  
32-62-01.2  
-T MOD CONTROL  
TRANSFER  
32-62-01.2

-T SERIAL NOT B  
32-62-01.2  
-T INDEX UNITS  
BUS  
62-61-21.2

-T SERIAL NOT 2  
62-62-04.2  
-T MODIFIER  
MENUS  
32-62-21.2

-T SERIAL NOT 1  
62-62-04.2

-T SERIAL 2  
62-62-04.2  
-T SERIAL NOT  
62-61-01.2

TIP DOWN ON  
12K ONLY  
00-00-00-0  
-T SERIAL NOT  
62-62-04.2  
-T SERIAL NOT  
62-61-01.2  
-T SERIAL NOT  
62-62-04.2

-T MODIFIER  
PLUS  
32-62-21.2  
-T SERIAL UB  
62-62-04.2

-T SERIAL B  
62-61-21.2

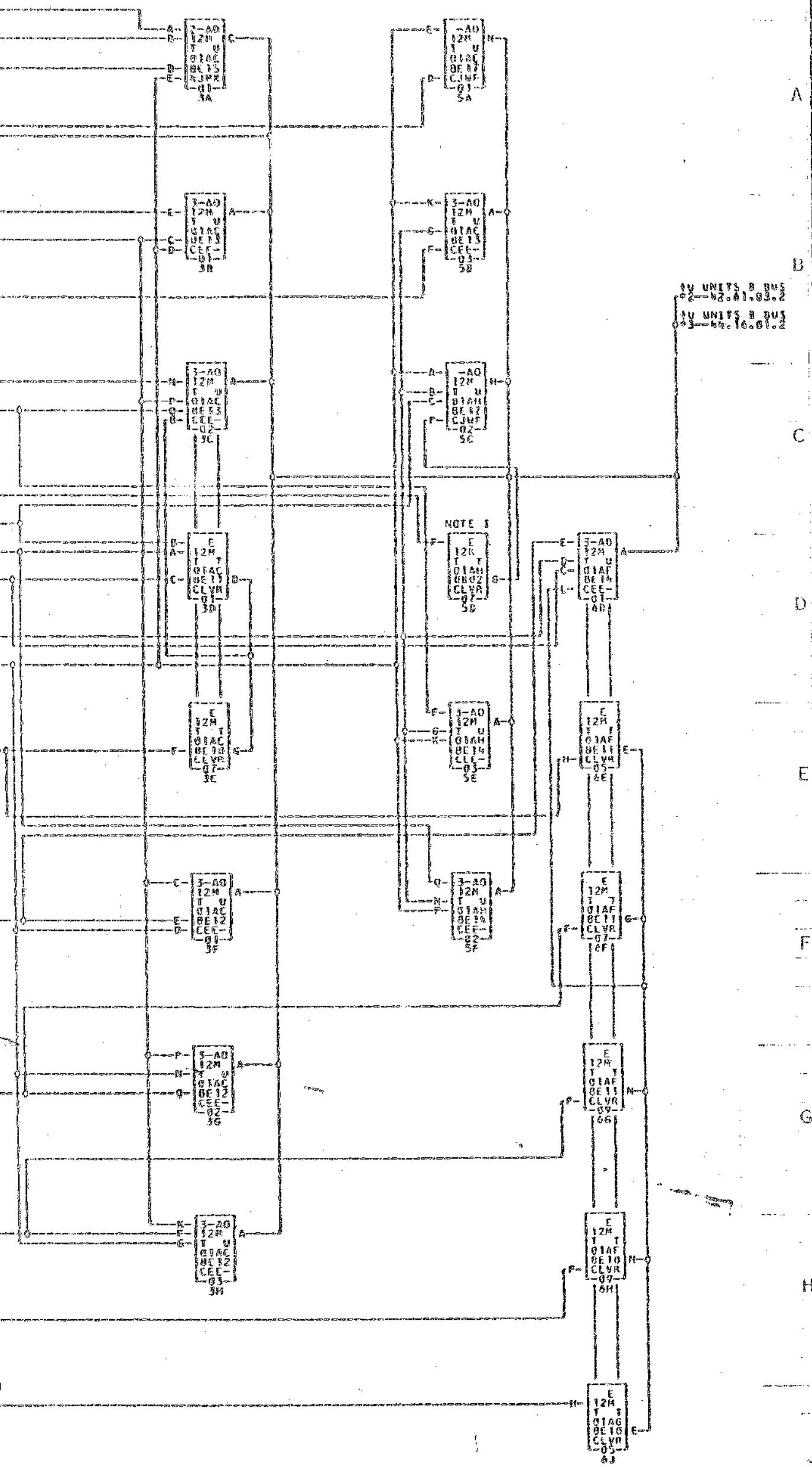
-T SERIAL UA  
62-62-04.2

-T SERIAL UB  
62-61-01.2

-T SERIAL UA  
62-61-01.2

-T SERIAL I  
62-62-04.2

-T NOT GATED HM  
1 CYCLE  
62-62-01.2



12V UNITS B BUS  
62-62-01.03.2  
12V UNITS B BUS  
62-62-16.01.2

722001

722001

---\*1---01A0C24H ---\*2---01A0B24G ---\*3---01A0C24R ---\*4---01A0C24S  
---\*5---01A0C24T ---\*6---01A0C24U ---\*7---01A0C24V

NO.	TAG DATE	E.C.NO.	COMMENTS	NO.	TAG DATE	E.C.NO.	COMMENTS	NO.	TAG DATE	E.C.NO.	COMMENTS
1	11-10-60	110416	NOT: 1 DOZ ES FEED TO 18V	2	12-16-60	110416		3	12-20-60	110416	
2	03-09-61	110431B	ON 1 MACHINES	3	03-23-61	110432F		4	04-03-61	110436	
3				5				6			
4				7				8			

722000

-Y SERIAL 1  
62.61.01.2

-Y SERIAL 1  
62.62.01.2  
-Y SERIAL 1  
62.62.02.2  
-Y SERIAL 1  
62.62.03.2

A

-Y SERIAL NO1  
62.61.01.2

-Y SERIAL NO1  
62.62.01.2  
-Y SERIAL NO1  
62.62.02.2  
-Y SERIAL NO1  
62.62.03.2

B

-Y SERIAL 2  
62.61.01.2

-Y SERIAL 2  
62.62.01.2  
-Y SERIAL 2  
62.62.02.2  
-Y SERIAL 2  
62.62.03.2

C

-Y SERIAL NO2  
62.61.01.2

-Y SERIAL NO2  
62.62.01.2  
-Y SERIAL NO2  
62.62.02.2  
-Y SERIAL NO2  
62.62.03.2

D

-Y SERIAL 0A  
62.61.00.2

-Y SERIAL 0A  
62.62.01.2  
-Y SERIAL 0A  
62.62.02.2  
-Y SERIAL 0A  
62.62.03.2  
-Y SERIAL 0A  
62.62.04.2

E

-Y SERIAL NO0  
62.61.00.2

-Y SERIAL NO0  
62.62.01.2  
-Y SERIAL NO0  
62.62.02.2  
-Y SERIAL NO0  
62.62.03.2  
-Y SERIAL NO0  
62.62.04.2

F

-Y SERIAL 0B  
62.61.00.2

-Y SERIAL 0B  
62.62.01.2  
-Y SERIAL 0B  
62.62.02.2  
-Y SERIAL 0B  
62.62.03.2  
-Y SERIAL 0B  
62.62.04.2

G

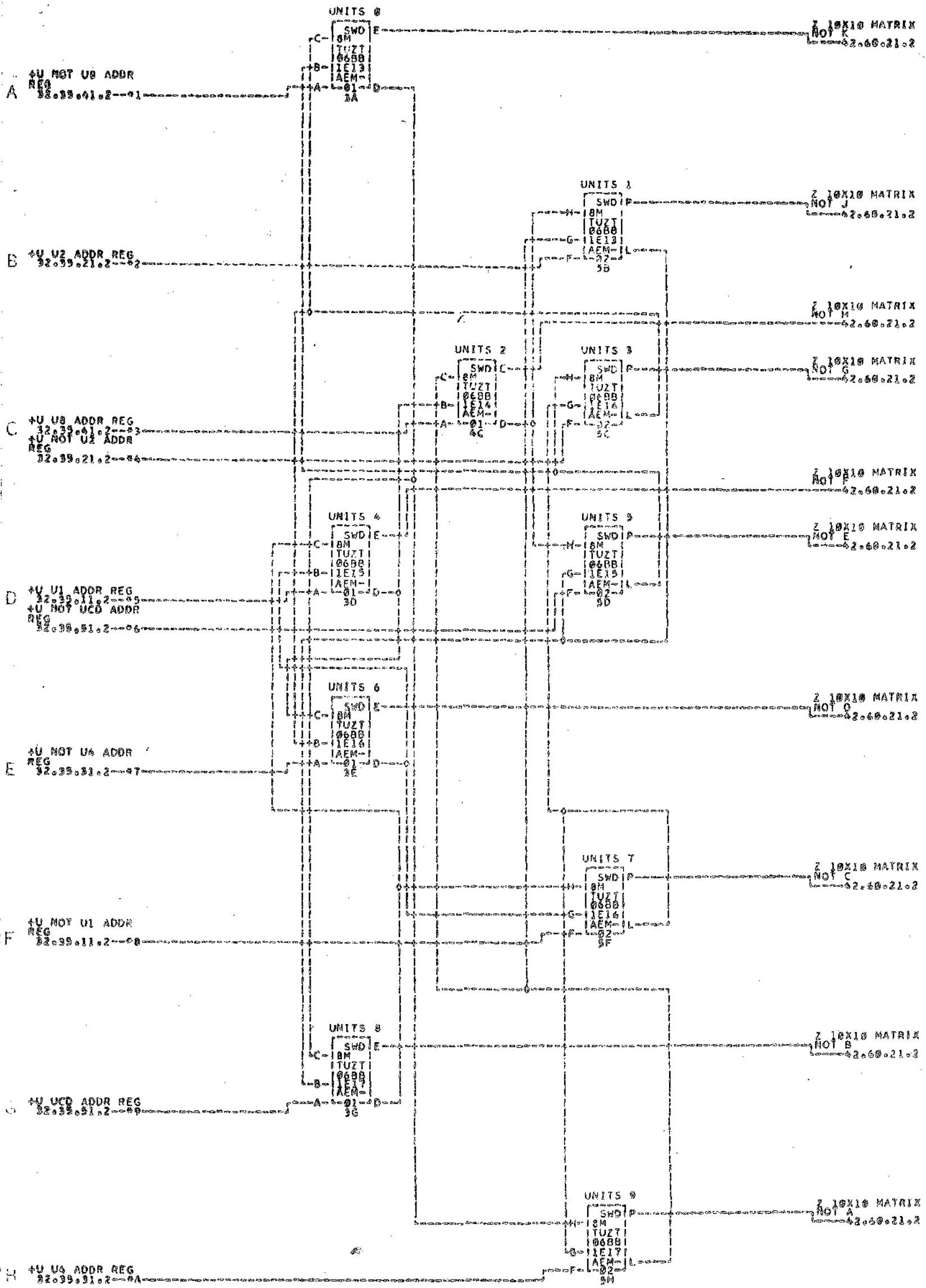
-Y SERIAL NOY  
62.61.00.2

-Y SERIAL NOY  
62.62.01.2  
-Y SERIAL NOY  
62.62.02.2  
-Y SERIAL NOY  
62.62.03.2  
-Y SERIAL NOY  
62.62.04.2  
-Y SERIAL NOY  
62.62.05.2  
-Y SERIAL NOY  
62.62.06.2

H

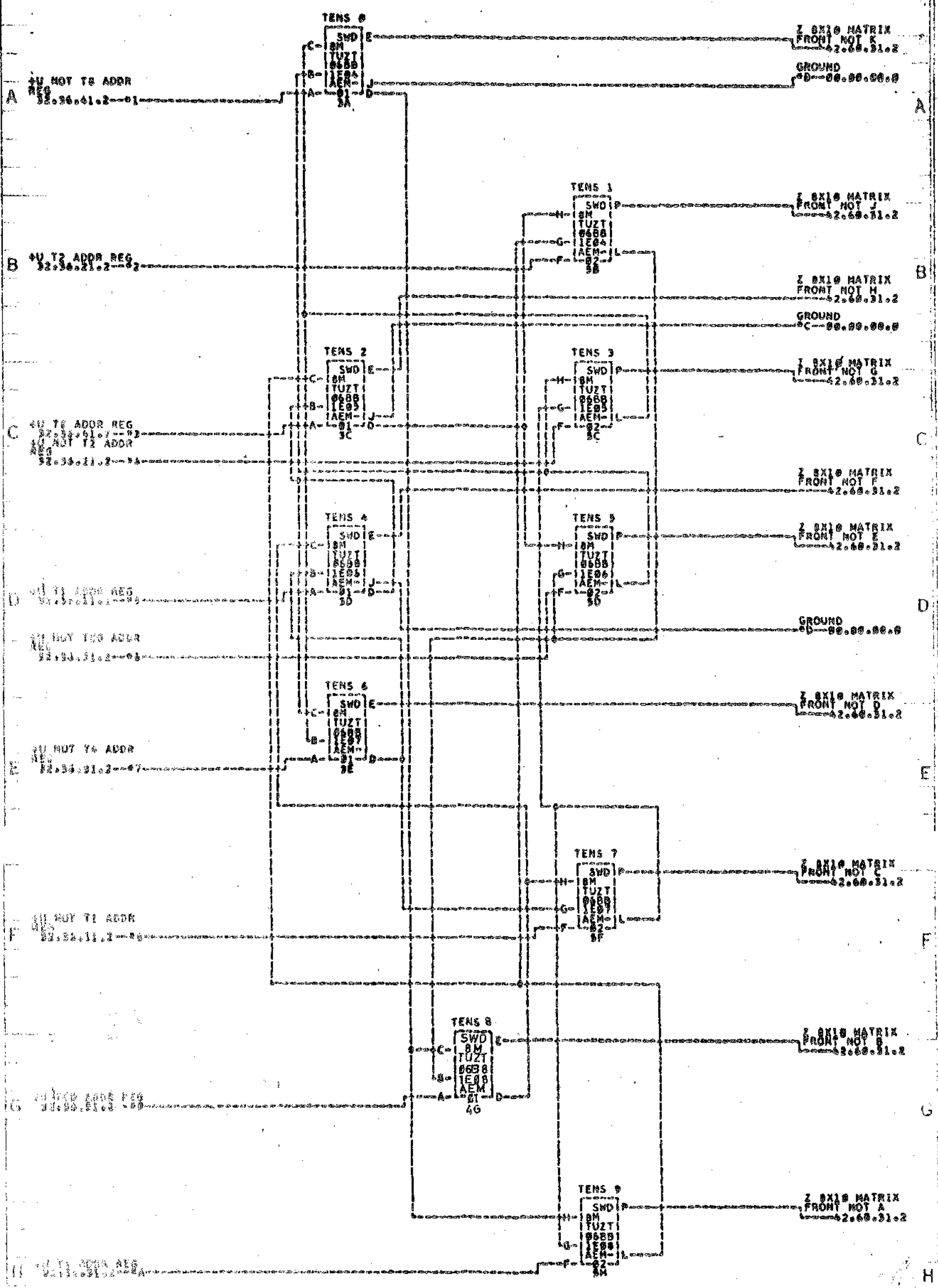
01--01A0B20J    02--01A0B20K    03--01A0B20L    04--01A0B20M

722000



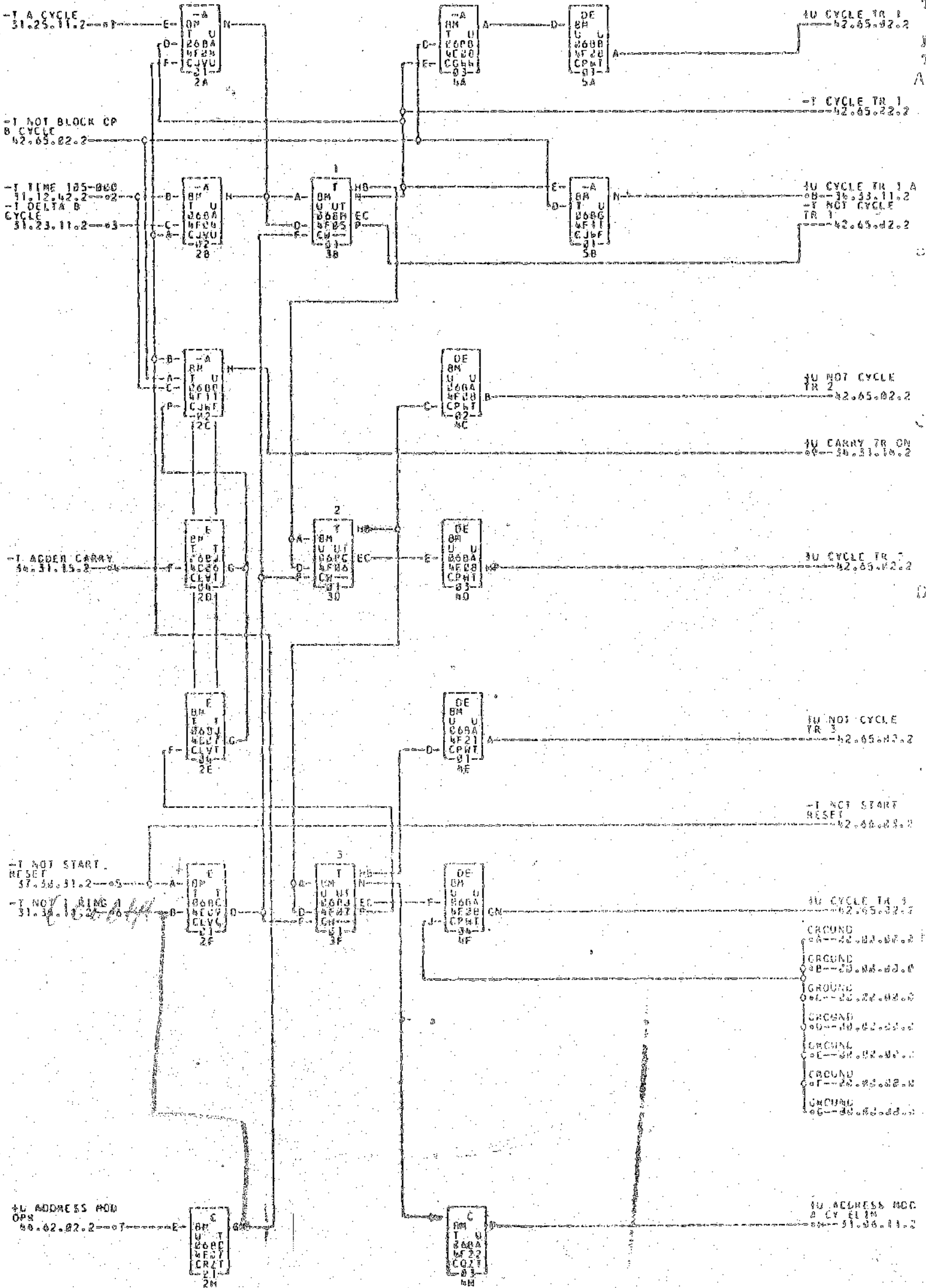
*1--06B7A04D	-----06B1E02D	*2--06B7A01B	-----06B1E01B	*3--06B7A01D	-----06B1E01D
*4--06B7A04B	-----06B1E02B	*5--06B7A01A	-----06B1E01A	*6--06B7A01E	-----06B1E01E
*7--06B7A04C	-----06B1E02C	*8--06B7A04A	-----06B1E02A	*9--06B7A01F	-----06B1E01F
*A--06B7A01C	-----06B1E01C				

805412



#1--0607A01K	---0607A02K	#7--0607A019	---0607A01G	#3--0607A01K	---0607A01K
#2--0607A006	---0607A006	#8--0607A01P	---0607A01F	#4--0607A01L	---0607A01L
#3--0607A010	---0607A010	#9--0607A01Q	---0607A01E	#5--0607A01L	---0607A01L
#4--0607A011	---0607A011	#0--0607A01J	---0607A01J	#6--0607A01J	---0607A01J





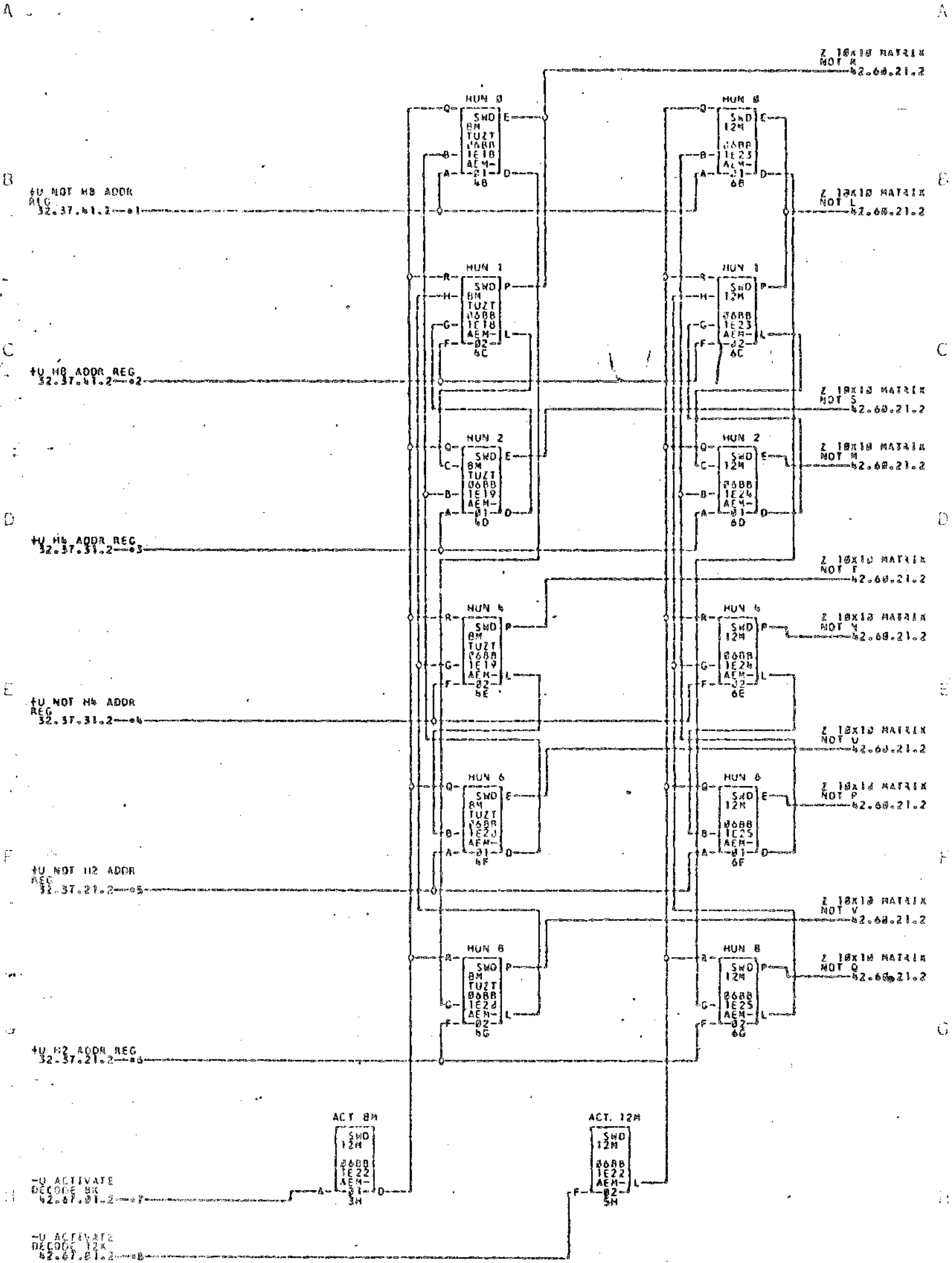
*Sketch CPU Mapping*

- ①--06B7A12E
- ②--06B7A13A
- ③--06B7A12D
- ④--06B7A120
- ⑤--06B7A129
- ⑥--06B7A12B
- ⑦--06B7A13F
- ⑧--06B7A12C
- ⑨--06B7A12E
- ⑩--06B7A120
- ⑪--06B7A12B
- ⑫--06B7A12C
- ⑬--06B7A13N
- ⑭--06B7A12M
- ⑮--06B7A120
- ⑯--06B7A12B
- ⑰--06B7A13J
- ⑱--06B7A12H
- ⑲--06B7A12J
- ⑳--06B7A12M
- ㉑--06B7A120
- ㉒--06B7A12B
- ㉓--06B7A12C
- ㉔--06B7A120
- ㉕--06B7A12B
- ㉖--06B7A12C
- ㉗--06B7A120
- ㉘--06B7A12B
- ㉙--06B7A12C
- ㉚--06B7A120
- ㉛--06B7A12B
- ㉜--06B7A12C
- ㉝--06B7A120
- ㉞--06B7A12B
- ㉟--06B7A12C
- ㊱--06B7A120
- ㊲--06B7A12B
- ㊳--06B7A12C
- ㊴--06B7A120
- ㊵--06B7A12B
- ㊶--06B7A12C
- ㊷--06B7A120
- ㊸--06B7A12B
- ㊹--06B7A12C
- ㊺--06B7A120
- ㊻--06B7A12B
- ㊼--06B7A12C
- ㊽--06B7A120
- ㊾--06B7A12B
- ㊿--06B7A12C

LOCATION	REF. PIN	COMMENT	TAG DATE	E. C. NO.	TAG DATE	E. C. NO.	TAG DATE	E. C. NO.	TAG DATE	E. C. NO.
		ALLS ALL TRISTEL PAIR	18-12-60	129520	18-12-60	129520	19-10-60	129531	18-09-60	129525
		REFERENCE LIMES TO GROUND	18-11-60	129534	18-11-60	129534	18-11-60	129552	18-03-61	129566
			18-24-61	129569						

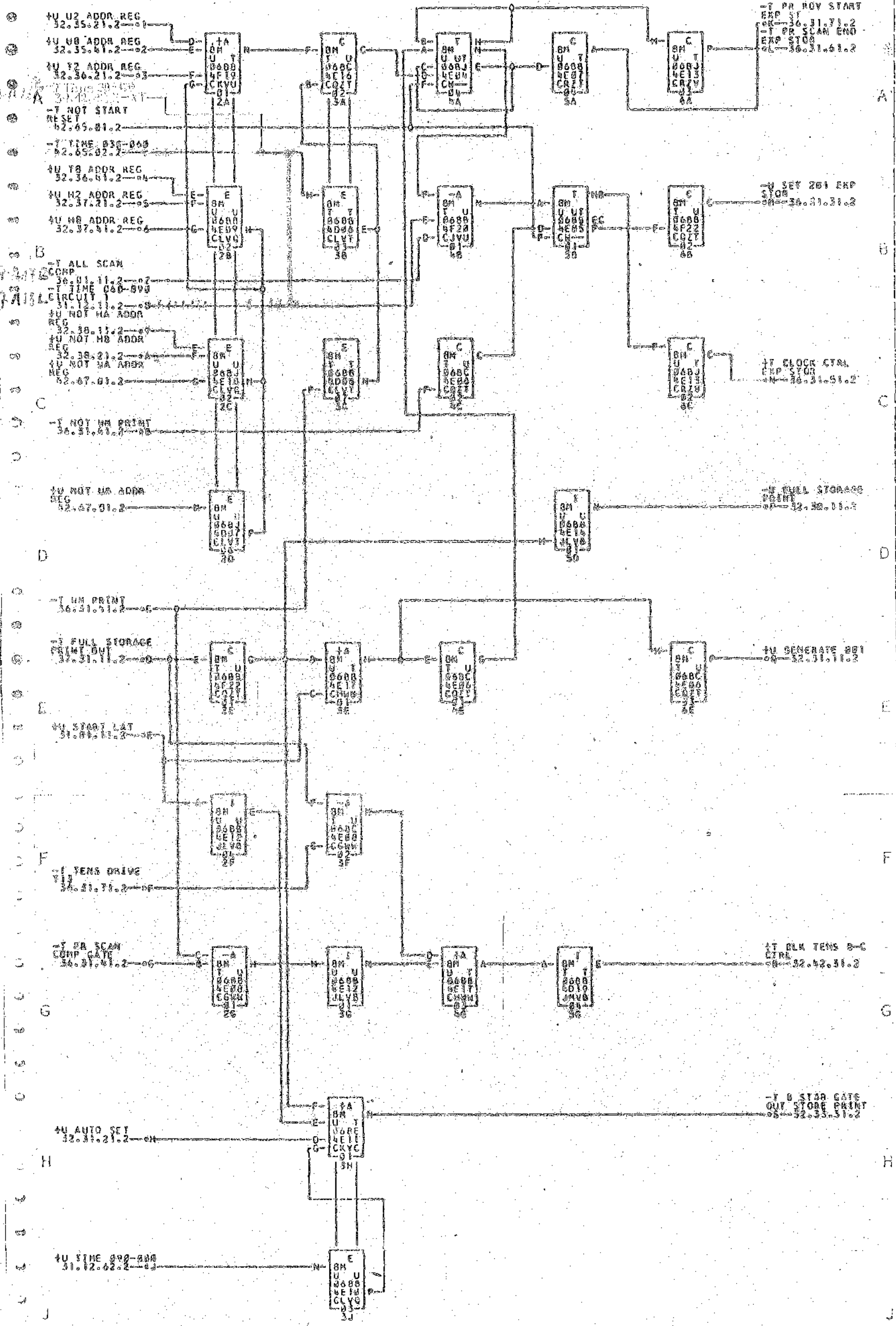
000000000000





- 1--06B7A74Q      ---06B1E32S      •2--06B7A61D      ---06B1E61Q      •3--06B7A81P      ---06B1E81P
- 4--06B7A84P      ---06B1E02P      •5--06B7A84N      ---06B1E02N      •6--06B7A81M      ---06B1E81M
- 7--06B1F23K      •8--06B1F32L

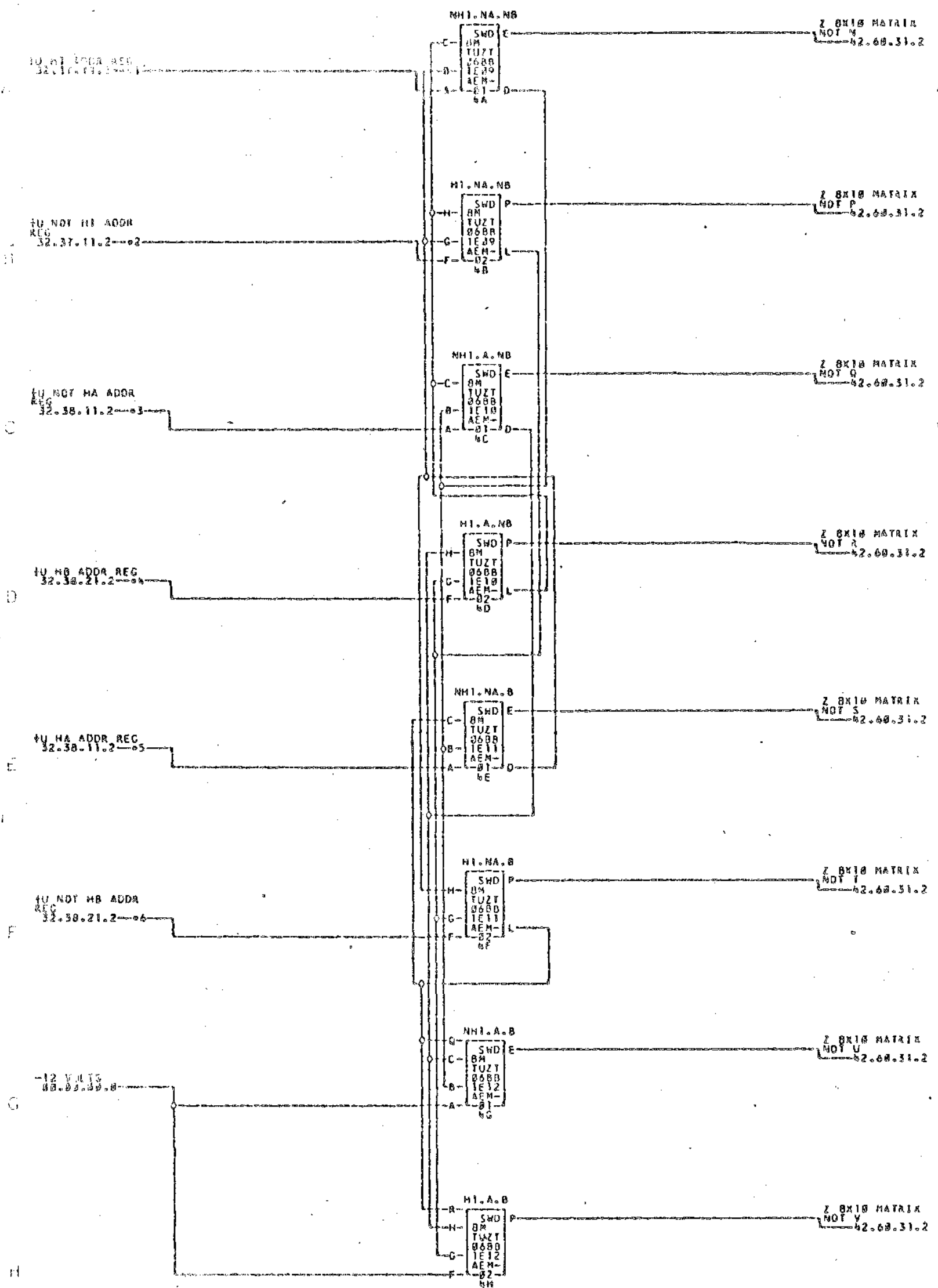
805414



- \*1-0687A01B
- \*2-0687A010
- \*3-0687A01G
- \*4-0687A02A
- \*5-0687A01N
- \*6-0687A02D
- \*7-0687A01G
- \*8-0687A01E
- \*9-0687A014
- \*A-0687A02K
- \*B-0687A014
- \*C-0687A01A
- \*D-0687A01L
- \*E-0687A01K
- \*F-0687A02N
- \*G-0687A02B
- \*H-0687A02K
- \*I-0687A01G
- \*J-0687A01D
- \*K-0687A01F
- \*L-0687A01M
- \*M-0687A01Q
- \*N-0687A02C
- \*O-0687A020
- \*P-0687A024
- \*Q-0687A01L
- \*R-0687A02E
- \*S-0687A02H
- \*T-0687A02C
- \*U-0687A02N
- \*V-0687A02F
- \*W-0687A02D
- \*X-0687A02K
- \*Y-0687A01R
- \*Z-0687A020

COMMENTS	TAG DATE	E.C.NO.	TAG DATE	E.C.NO.	TAG DATE	E.C.NO.	TAG DATE	E.C.NO.
	A 08-10-69	189525B	D 07-18-69	189531	C 09-29-69	189535	D 12-11-69	189531
	E 10-11-69	189542	F 12-13-69	189549	C 01-28-61	189552	M 02-21-61	189559
	J 03-28-61	189566						

03  
 00  
 04  
 00  
 00  
 00

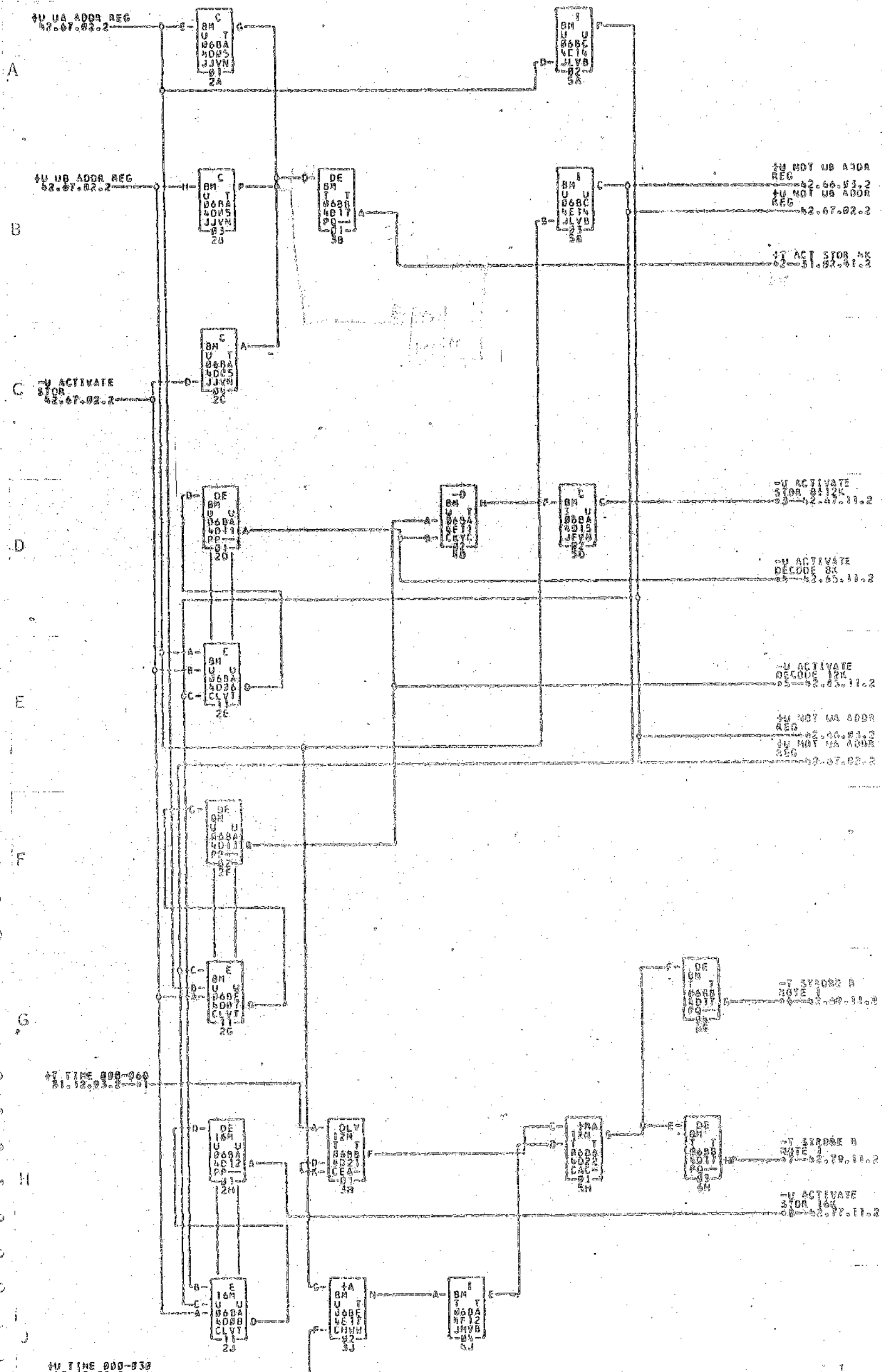


- \*1--2687A01M      ---0681E01M      \*2--2687A04M      ---0681E02M      \*3--2687A06E      ---0681E03B
- \*4--2687A06C      ---0681E01C      \*5--2687A06A      ---0681E03A      \*6--2687A06F      ---0681E03D

CONNECT

TAG DATE	E.C.NO.	TAG DATE	E.C.NO.	TAG DATE	E.C.NO.	TAG DATE	E.C.NO.
A 08-05-60	109525B	B 07-20-60	109535	C 10-11-60	109534	D 03-20-61	109560

805415

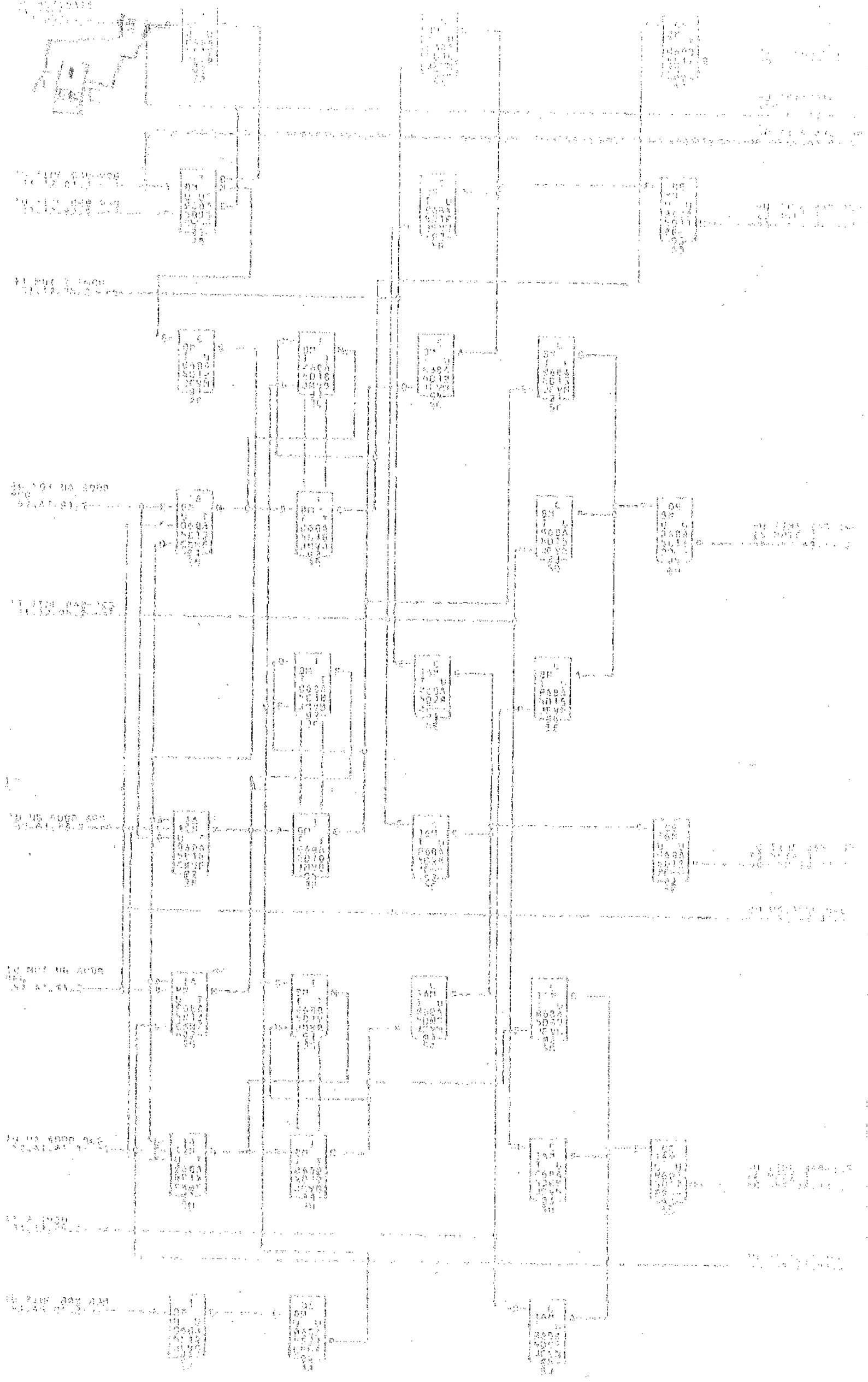


- 01--8687A16H
- 02--8686D811
- 03--8686D82G
- 04--8686D82K
- 05--8686D82L
- 06--8686D82H
- 07--8686D83D
- 08--8686D83E
- 09--8686D83F
- 10--8686D83G
- 11--8686D83H
- 12--8686D83I

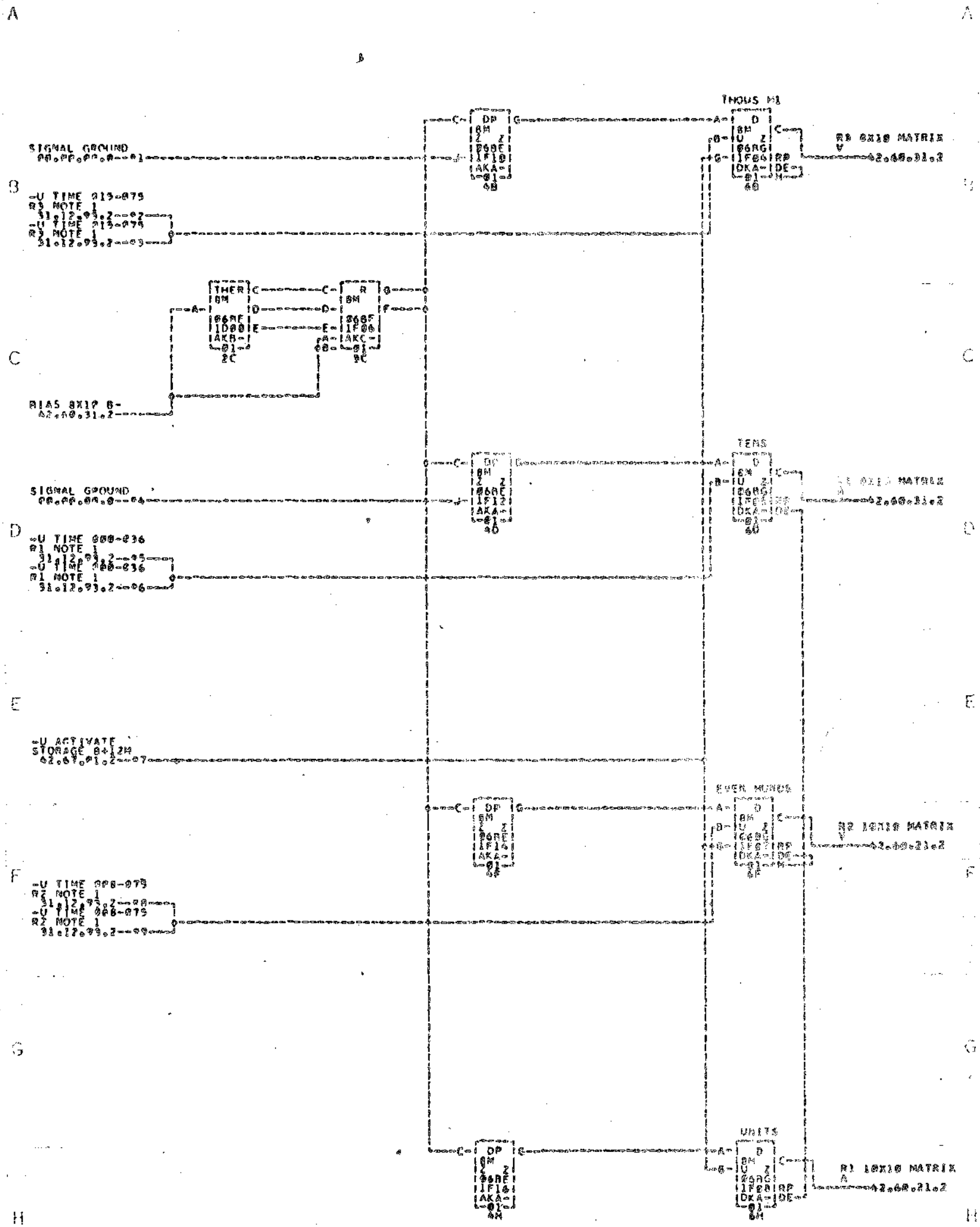
NOTE 1 TIMING AND ALLOWABLE TOLERANCES OF STORAGE PULSES ARE FOUND ON REFERENCE LOGIC 82.68.83.2

TAG	DATE	F.C. NO.	TAG	DATE	F.C. NO.	TAG	DATE	F.C. NO.
A	08-10-60	1895258	B	08-10-60	1895258	C	10-11-60	1895358
E	02-23-61	1895559						

803434



1. 100 10 1000  
 2. 100 10 1000  
 3. 100 10 1000  
 4. 100 10 1000  
 5. 100 10 1000  
 6. 100 10 1000  
 7. 100 10 1000  
 8. 100 10 1000  
 9. 100 10 1000  
 10. 100 10 1000  
 11. 100 10 1000  
 12. 100 10 1000  
 13. 100 10 1000  
 14. 100 10 1000  
 15. 100 10 1000  
 16. 100 10 1000  
 17. 100 10 1000  
 18. 100 10 1000  
 19. 100 10 1000  
 20. 100 10 1000  
 21. 100 10 1000  
 22. 100 10 1000  
 23. 100 10 1000  
 24. 100 10 1000  
 25. 100 10 1000  
 26. 100 10 1000  
 27. 100 10 1000  
 28. 100 10 1000



01--0601F02/J    02--0601F02C    03--0601A13E    04--0601F02R    05--0601F01/J    06--0601E02A

808416

COMMENTS  
NOTE 1 TIMING AND ALLOWABLE TOLERANCES  
OF STORAGE PULSES ARE FOUND ON REFERENCE LOGIC 02.00.03.2

TAG DATE	E.C.NO.	TAG DATE	E.C.NO.	TAG DATE	E.C.NO.	TAG DATE	E.C.NO.
08-03-60	189525B	09-20-60	189535	10-11-60	189535	12-02-60	189567
01-12-61	189552	01-31-61	189556	01-21-61	189559		

IBM FORM 424 (1955)



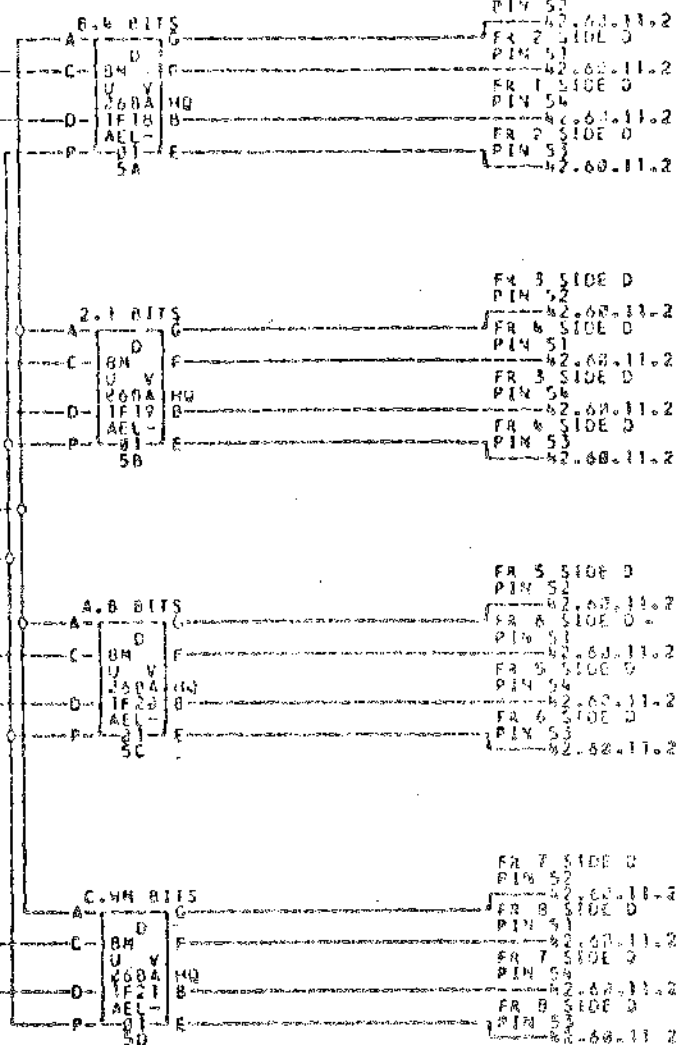
4U INHIBIT  
DRIVE B  
35.12.51.2--01  
4U INHIBIT  
DRIVE A  
35.12.11.2--02

4U INHIBIT  
DRIVE 2  
35.11.51.2--03  
4U INHIBIT  
DRIVE 1  
35.11.11.2--04

-U TIME 068-106  
Z3 NOTE 1  
42.67.42.2--05  
-U TIME 068-106  
Z4 NOTE 1  
42.67.02.2--06

4U INHIBIT  
DRIVE A  
35.13.11.2--07  
4U INHIBIT  
DRIVE B  
35.13.51.2--08

4U INHIBIT  
DRIVE C  
35.17.11.2--09  
4U INHIBIT  
DRIVE W  
35.14.51.2--0A



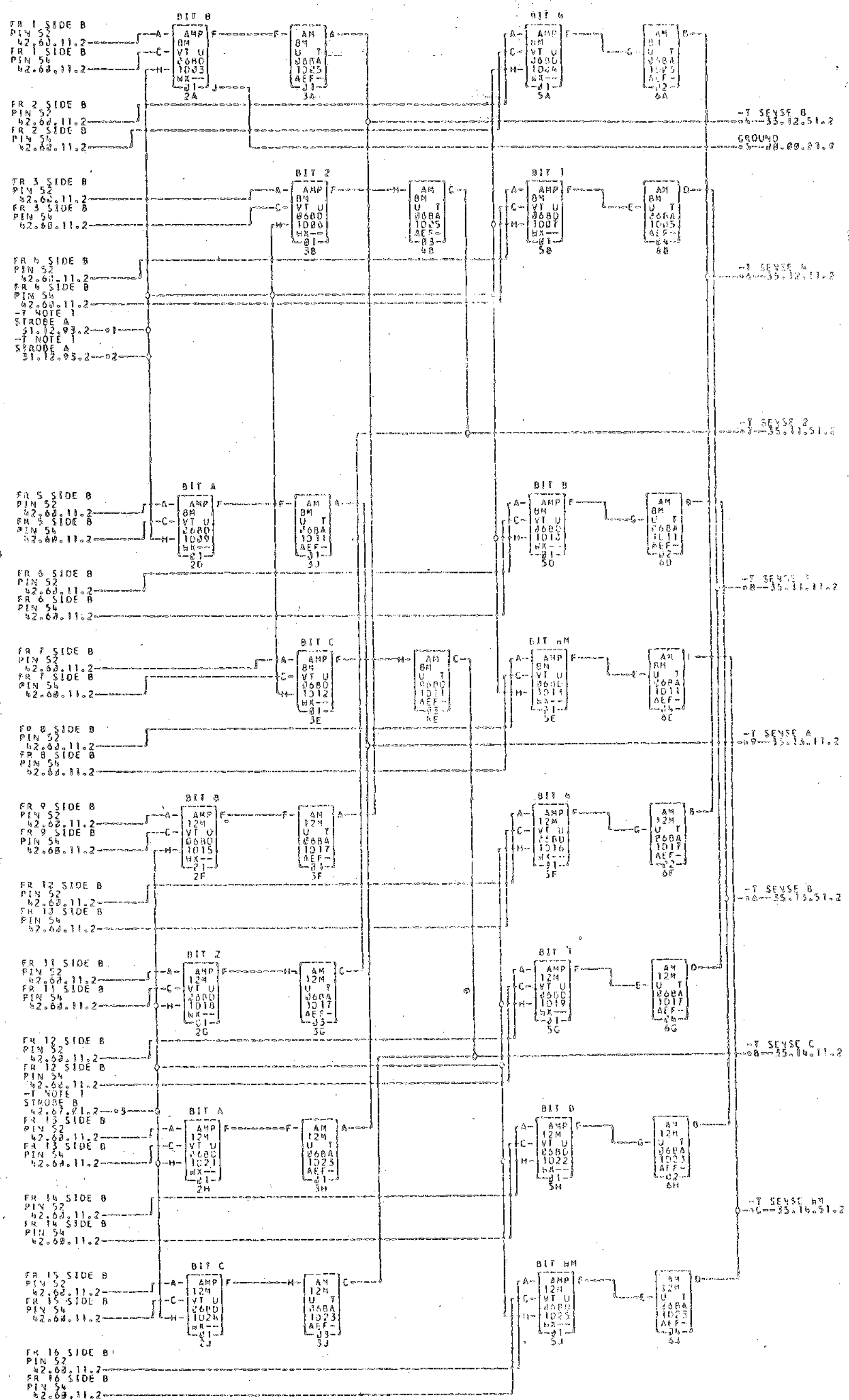
- \*1--0687A00E
- \*2--0687A00F
- \*3--0687A00G
- \*4--0687A00H
- \*5--0687A00I
- \*6--0687A00J
- \*7--0687A00K
- \*8--0687A00L
- \*9--0687A00M
- \*A--0687A00N

NOTE 1 TIMING ALLOWABLE TOLERANCES OF STORAGE PULSES ARE FOUND ON REFERENCE LOGIC 42.42.03.2

COMMENTS

TAG DATE	E.C.NO.	TAG DATE	E.C.NO.	TAG DATE	E.C.NO.	TAG DATE	E.C.NO.
A 06-05-60	1095258	B 09-20-60	109535	C 10-11-60	109533	D 03-20-61	109566

805417

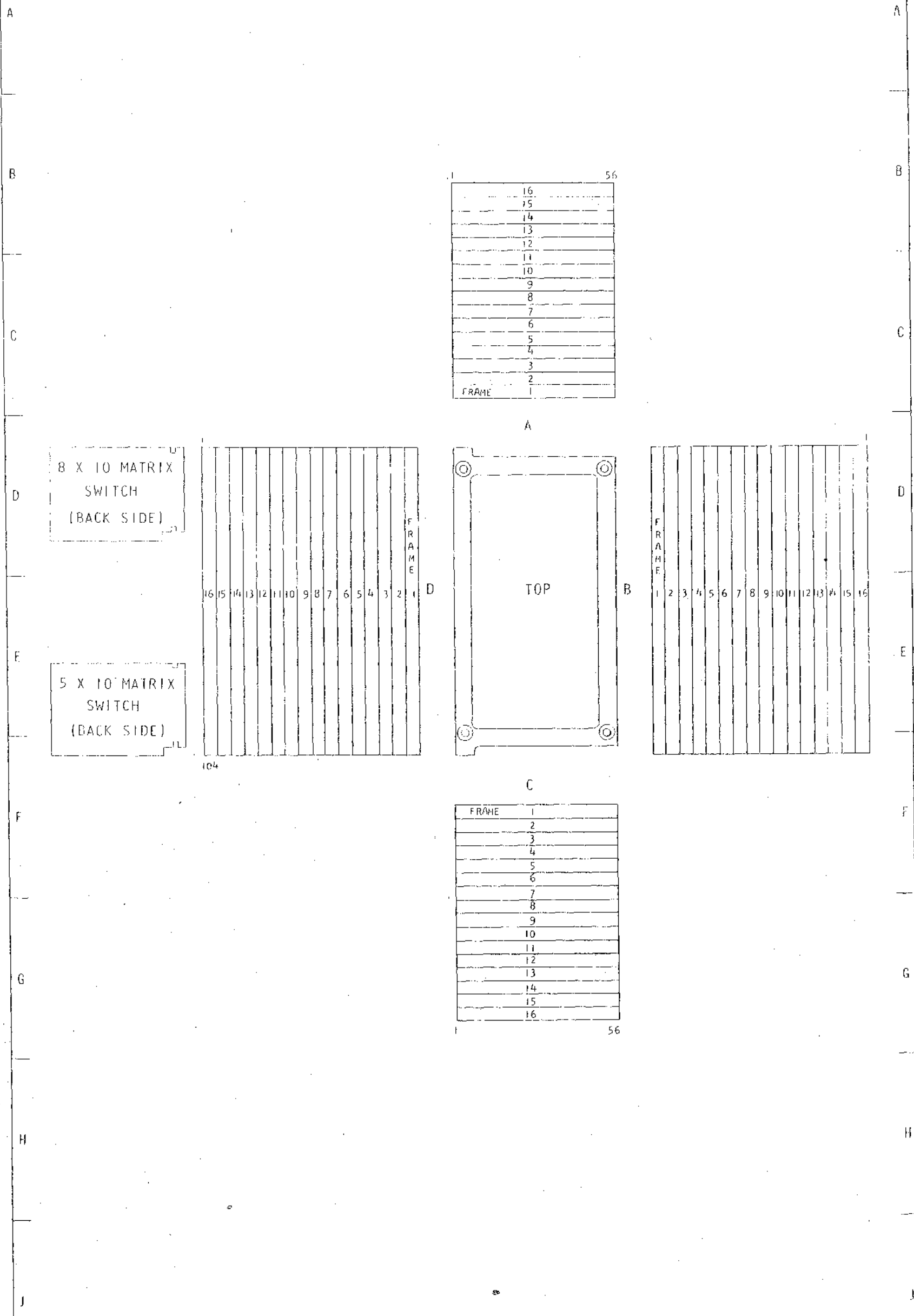


- 01--06B7A16C      06--06B1E33C      02--06B1F42D      05--06B1F324      04--06B1E21A      06--06B1D31D
- 05--06B1D31D      06--06B1D31B      03--06B7A17B      07--06B1D31C      08--06B1D31D      08--06B1D31D
- 06--06B7A14D      09--06B1D31E      04--06B7A18C      07--06B1D31F      08--06B1E1BF      08--06B1D31E
- 06--06B7A15G      0C--06B1D31H      06--06B7A14H

0005410

STORAGE CORE FRAME

REV  
 7 26  
 1A 1



16
15
14
13
12
11
10
9
8
7
6
5
4
3
2
FRAME 1

FRAME 1
2
3
4
5
6
7
8
9
10
11
12
13
14
15
16

DATE	EC NO	DATE	EC NO	DATE	EC NO
08-05-60	109525B				

REFERENCE DRAWING  
805440

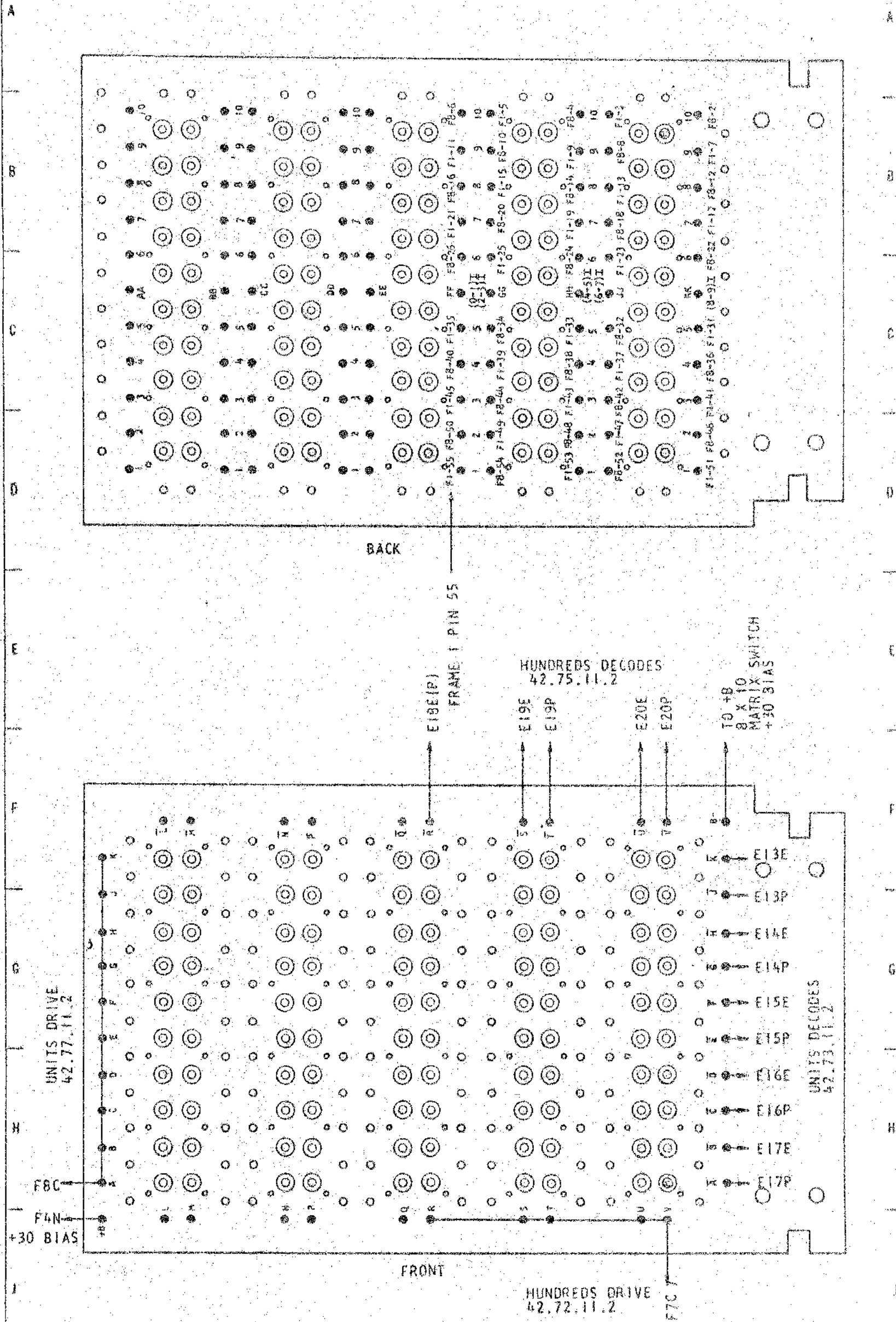
5 X 10 MATRIX SWITCH  
FOR 1406 4K ARRAY

0685

42.70.21.2  
DUPLICATE

TAG 1  
B 30.1  
TA 31

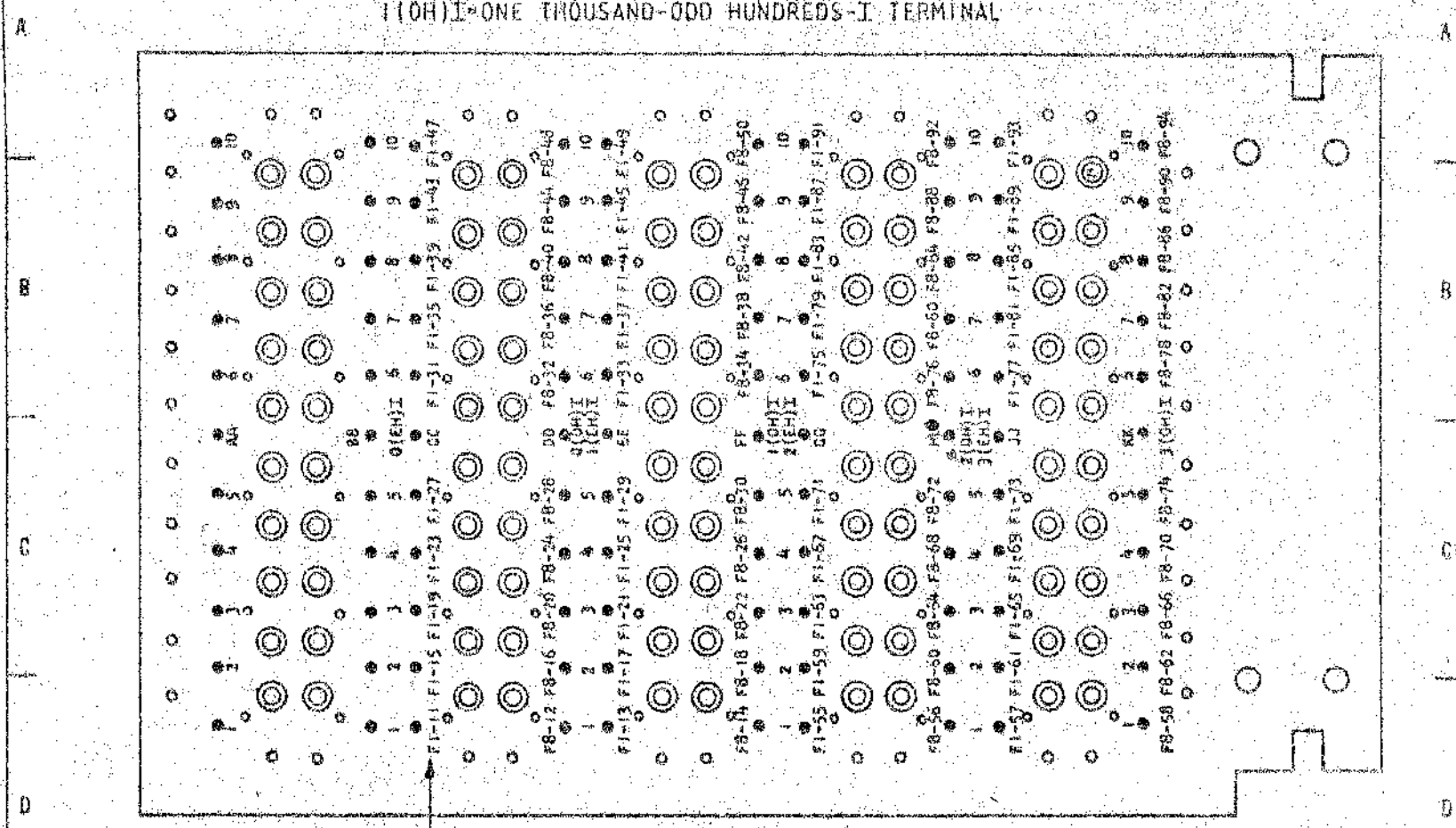
ALL WIRES GO TO SIDE C OF FRAMES 1 AND 8  
(0-1) \* ZERO AND ONE HUNDREDS TERMINAL ON RESISTOR BOARD



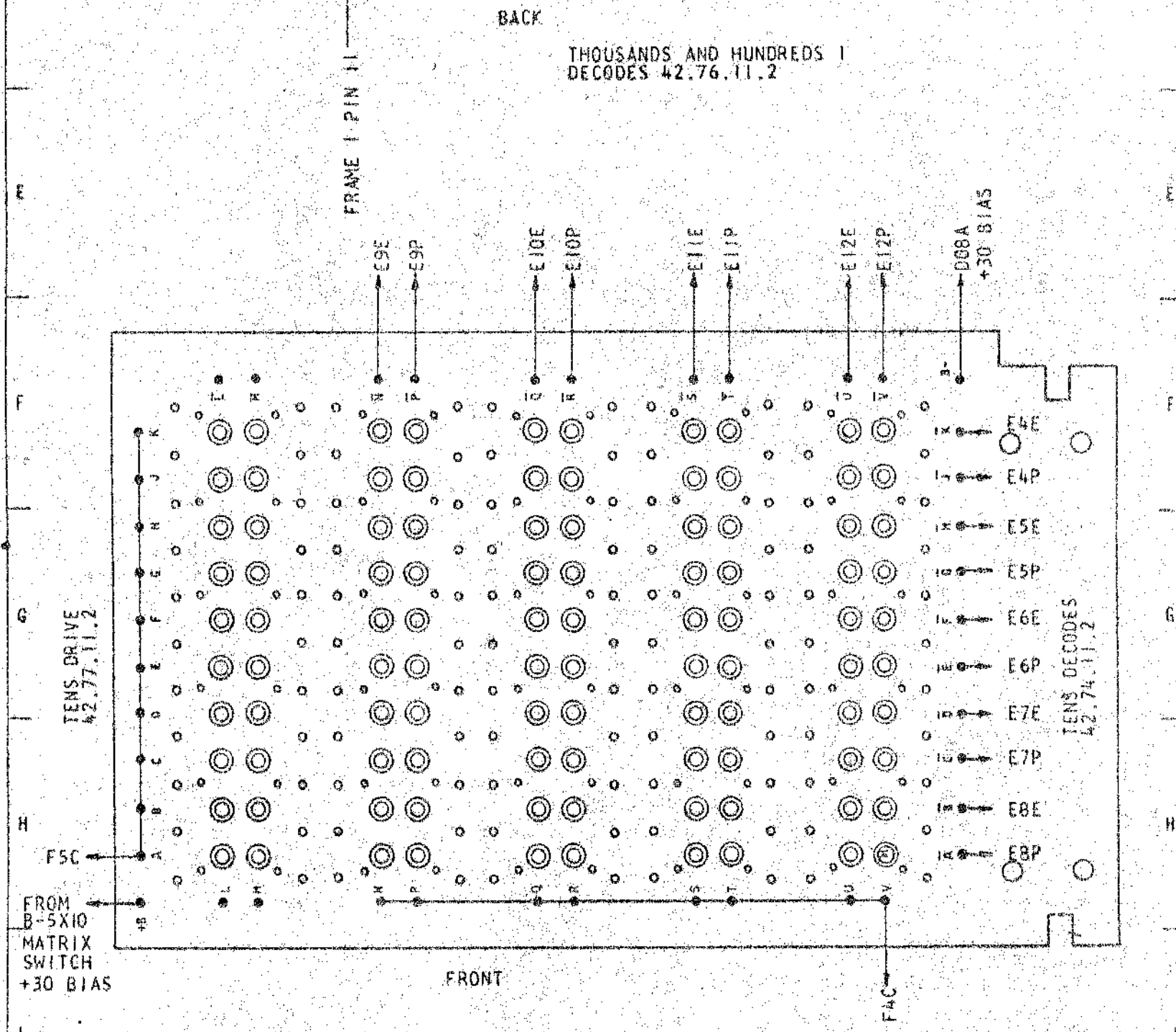
DATE	EC NO	DATE	EC NO	DATE	EC NO
8-23-60	109525B				
3-31-61	109566				

DUPLICATE

ALL WIRES GO TO SIDE D OF FRAMES 1 AND 16  
0 (EH) I-ZERO THOUSAND-EVEN HUNDREDS-I TERMINAL  
1 (OH) I-ONE THOUSAND-ODD HUNDREDS-I TERMINAL

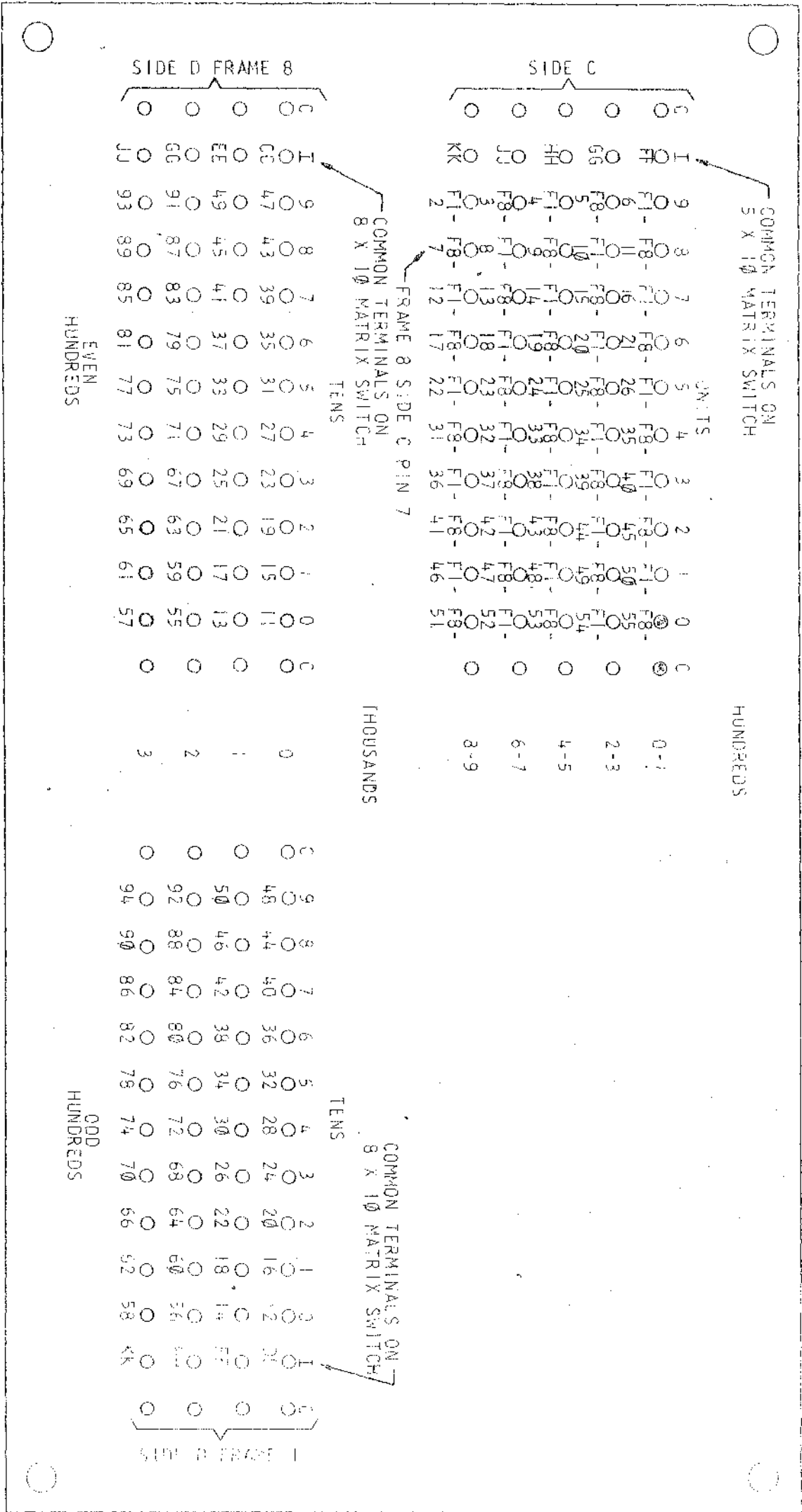


THOUSANDS AND HUNDREDS I  
DECODES 42.76.11.2



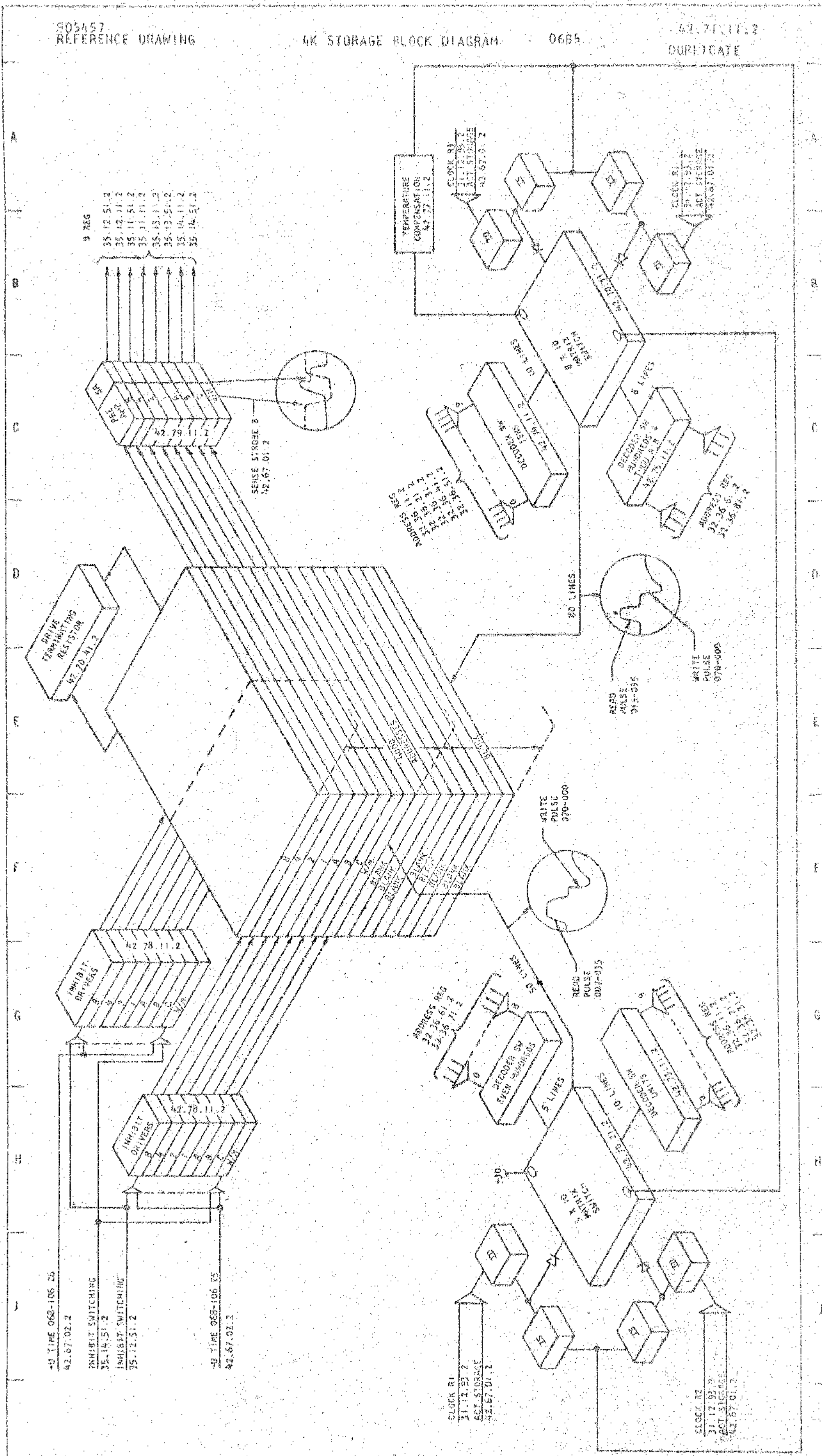
DATE	EC NO	DATE	EC NO	DATE	EC NO
8-23-60	109525B				
1-26-61	109556				
3-31-61	109566				

1406 4K DRIVER  
TERMINATING RESISTORS



DATE 10-12-60 EC NO 109540  
 DATE 10-27-60 EC NO 109540  
 DATE 10-27-60 EC NO 109541

H G F E D C B A



DATE	EC NO	DATE	EC NO	DATE	EC NO
10-12-60	109540				
1-26-61	109556				
3-31-61	109566				

1U NOT U0 ADDR  
REG  
32.35.11.2-01

1U U2 ADDR REG  
32.35.11.2-02

1U U0 ADDR REG  
32.35.11.2-03

1U NOT U2 ADDR  
REG  
32.35.21.2-04

1U U1 ADDR REG  
32.35.11.2-05

1U NOT U0 ADDR  
REG  
32.35.11.2-06

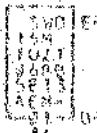
1U NOT U4 ADDR  
REG  
32.35.11.2-07

1U NOT U7 ADDR  
REG  
32.35.11.2-08

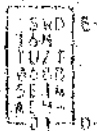
1U U0 ADDR REG  
32.35.11.2-09

1U U4 ADDR REG  
32.35.11.2-0A

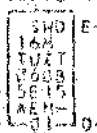
UNITS 0



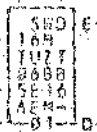
UNITS 2



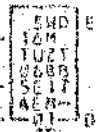
UNITS 4



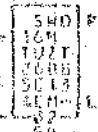
UNITS 6



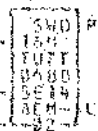
UNITS 8



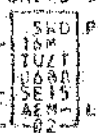
UNITS 1



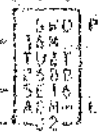
UNITS 3



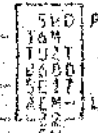
UNITS 5



UNITS 7



UNITS 9



2 SK10 MATRIX  
NOT C  
62.70.21.2

2 SK10 MATRIX  
NOT C  
62.70.21.2

2 SK10 MATRIX  
NOT C  
62.70.21.2

2 SK10 MATRIX  
NOT C  
62.70.21.2

2 SK10 MATRIX  
NOT F  
62.70.21.2

2 SK10 MATRIX  
NOT E  
62.70.21.2

2 SK10 MATRIX  
NOT C  
62.70.21.2

2 SK10 MATRIX  
NOT C  
62.70.21.2

2 SK10 MATRIX  
NOT B  
62.70.21.2

2 SK10 MATRIX  
NOT A  
62.70.21.2

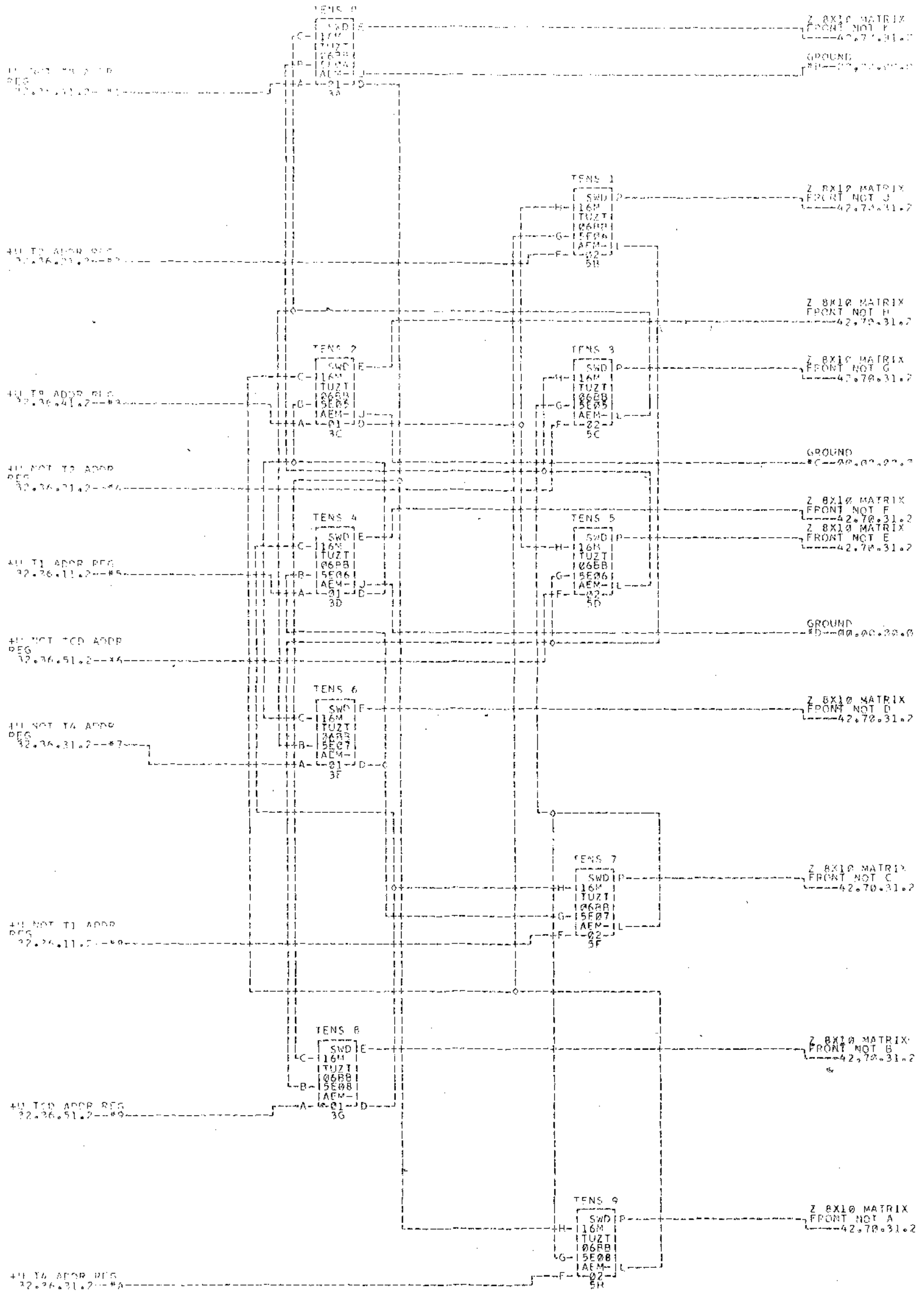
- \*1--0607A06D -----0607A05D -----0605E02D \*2--0607A010 -----0607A000 -----0605E018
- \*3--0607A010 -----0607A020 -----0605E010 \*4--0607A040 -----0607A03A -----0605E020
- \*5--0607A01A -----0607A04A -----0605E01A \*6--0607A04C -----0607A05E -----0605E02E
- \*7--0607A04C -----0607A05C -----0605E02C \*8--0607A04A -----0607A05A -----0605E03E
- \*9--0607A01E -----0607A02E -----0605E01E \*A--0607A01C -----0607A02C -----0605E01C

COMMENTS

TAG	DATE	E.C. NO.	TAG	DATE	E.C. NO.	TAG	DATE	E.C. NO.	TAG	DATE	E.C. NO.
A	08-05-68	1205258	B	09-28-68	1205300	C	10-11-68	1205301	D	11-28-68	1205302



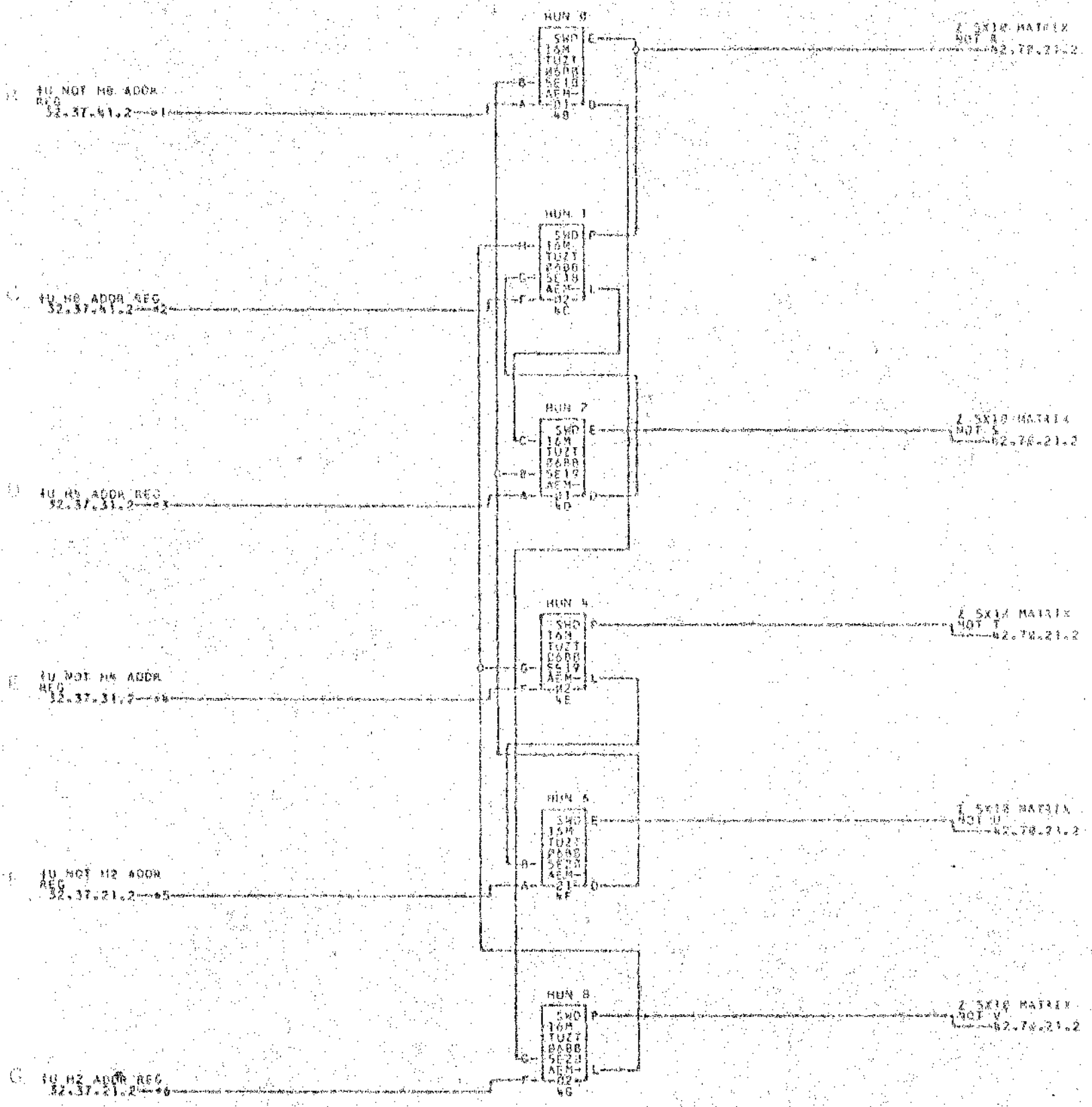
805422



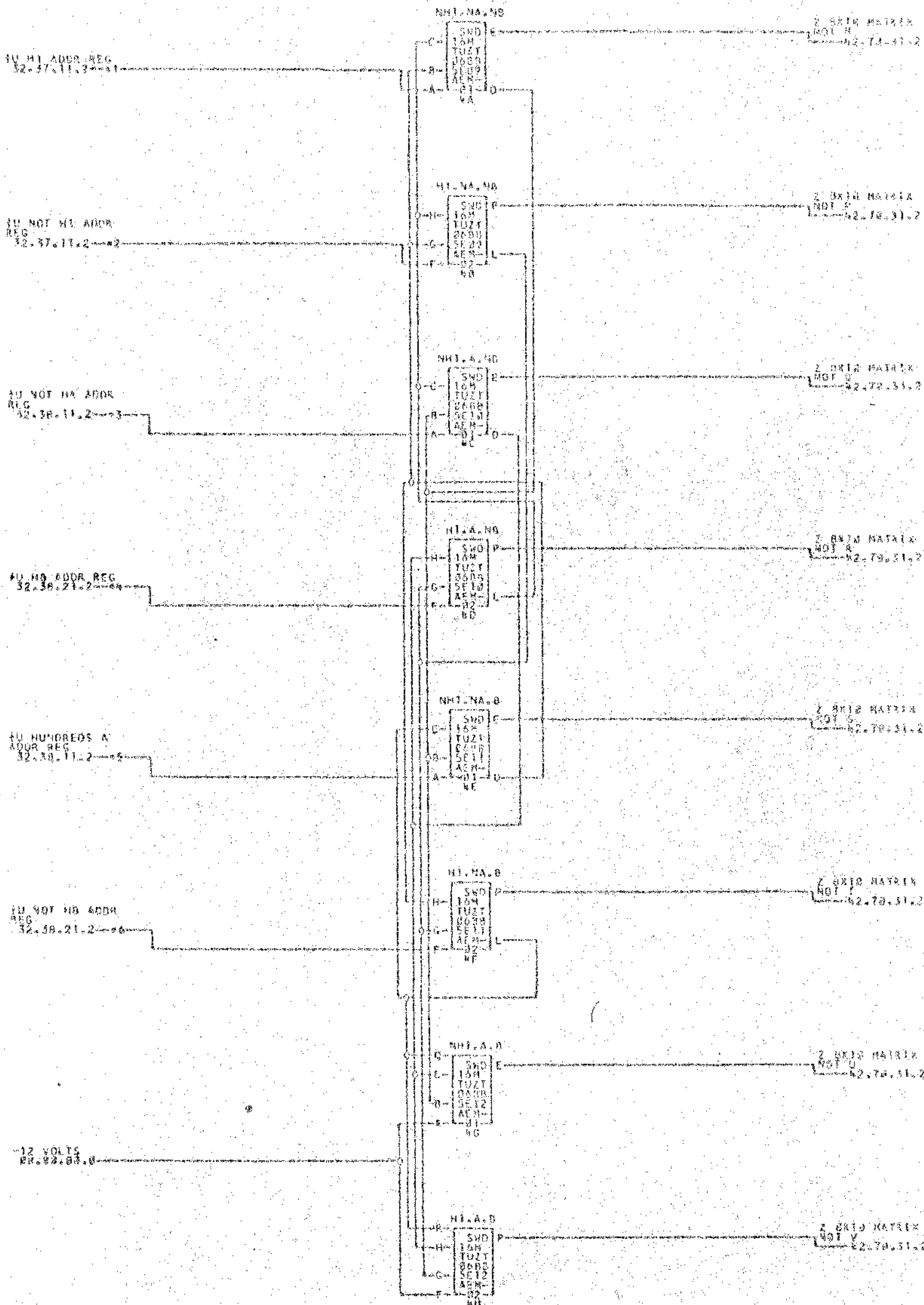
- |              |               |               |              |               |               |
|--------------|---------------|---------------|--------------|---------------|---------------|
| *1--06B7A04K | -----06B7A05K | -----06B5E02Y | *2--06B7A01G | -----06B7A02G | -----06B5E01G |
| *3--06B7A01K | -----06B7A02K | -----06B5E01Y | *4--06B7A04G | -----06B7A05G | -----06B5E02G |
| *5--06B7A01F | -----06B7A02F | -----06B5E01F | *6--06B7A04L | -----06B7A05L | -----06B5E02L |
| *7--06B7A04H | -----06B7A05H | -----06B5E02H | *8--06B7A04F | -----06B7A03F | -----06B5E02F |
| *9--06B7A011 | -----06B7A021 | -----06B5E01L | *A--06B7A01H | -----06B7A02H | -----06B5E01H |
| *P--06B5E01J | *C--06B5E02J  | *D--06B5E03J  |              |               |               |

COMMENTS

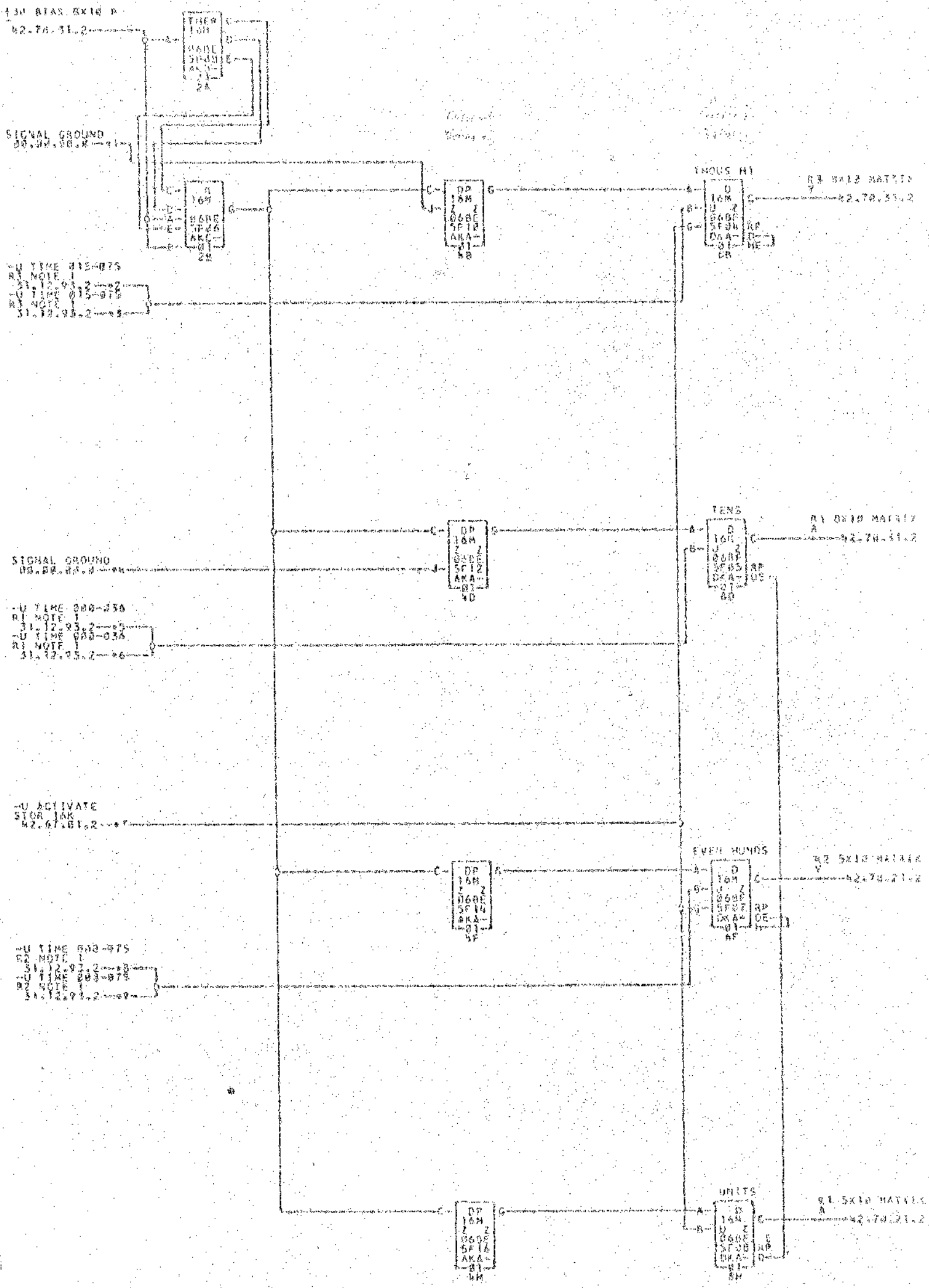
TAG DATE	F.C.NO.	TAG DATE	F.C.NO.	TAG DATE	F.C.NO.	TAG DATE	F.C.NO.
10-05-60	189524	10-05-60	189531	10-11-60	189533		



- \*1--0607A00Q
- \*2--0607A01Q
- \*3--0607A02Q
- \*4--0607A03Q
- \*5--0607A04Q
- \*6--0607A05Q
- \*7--0607A06Q
- \*8--0607A07Q
- \*9--0607A08Q
- \*10--0607A09Q
- \*11--0607A10Q
- \*12--0607A11Q
- \*13--0607A12Q
- \*14--0607A13Q
- \*15--0607A14Q
- \*16--0607A15Q
- \*17--0607A16Q
- \*18--0607A17Q
- \*19--0607A18Q
- \*20--0607A19Q



- \*1--0607A01N      \*2--0607A004      \*3--0607A005      \*4--0607A006      \*5--0607A00A      \*6--0607A00F
- \*7--0607A02M      \*8--0607A07E      \*9--0607A07A
- \*10--0605E01N      \*11--0605E039      \*12--0605E03A
- \*13--0607A004      \*14--0607A00C      \*15--0607A00M      \*16--0607A00F
- \*17--0607A00H      \*18--0607A00J      \*19--0607A00K      \*20--0607A00L
- \*21--0607A00M      \*22--0607A00N      \*23--0607A00P      \*24--0607A00Q
- \*25--0607A00R      \*26--0607A00S      \*27--0607A00T      \*28--0607A00U
- \*29--0607A00V      \*30--0607A00W      \*31--0607A00X      \*32--0607A00Y
- \*33--0607A00Z      \*34--0607A010      \*35--0607A011      \*36--0607A012
- \*37--0607A013      \*38--0607A014      \*39--0607A015      \*40--0607A016
- \*41--0607A017      \*42--0607A018      \*43--0607A019      \*44--0607A01A
- \*45--0607A01B      \*46--0607A01C      \*47--0607A01D      \*48--0607A01E
- \*49--0607A01F      \*50--0607A01G      \*51--0607A01H      \*52--0607A01I
- \*53--0607A01J      \*54--0607A01K      \*55--0607A01L      \*56--0607A01M
- \*57--0607A01N      \*58--0607A01O      \*59--0607A01P      \*60--0607A01Q
- \*61--0607A01R      \*62--0607A01S      \*63--0607A01T      \*64--0607A01U
- \*65--0607A01V      \*66--0607A01W      \*67--0607A01X      \*68--0607A01Y
- \*69--0607A01Z      \*70--0607A020      \*71--0607A021      \*72--0607A022
- \*73--0607A023      \*74--0607A024      \*75--0607A025      \*76--0607A026
- \*77--0607A027      \*78--0607A028      \*79--0607A029      \*80--0607A02A
- \*81--0607A02B      \*82--0607A02C      \*83--0607A02D      \*84--0607A02E
- \*85--0607A02F      \*86--0607A02G      \*87--0607A02H      \*88--0607A02I
- \*89--0607A02J      \*90--0607A02K      \*91--0607A02L      \*92--0607A02M
- \*93--0607A02N      \*94--0607A02O      \*95--0607A02P      \*96--0607A02Q
- \*97--0607A02R      \*98--0607A02S      \*99--0607A02T      \*100--0607A02U



U TIME 015-075  
 R1 NOTE 1  
 U TIME 015-075  
 R1 NOTE 1  
 U TIME 015-075  
 R1 NOTE 1

U TIME 000-030  
 R1 NOTE 1  
 U TIME 000-030  
 R1 NOTE 1  
 U TIME 000-030  
 R1 NOTE 1

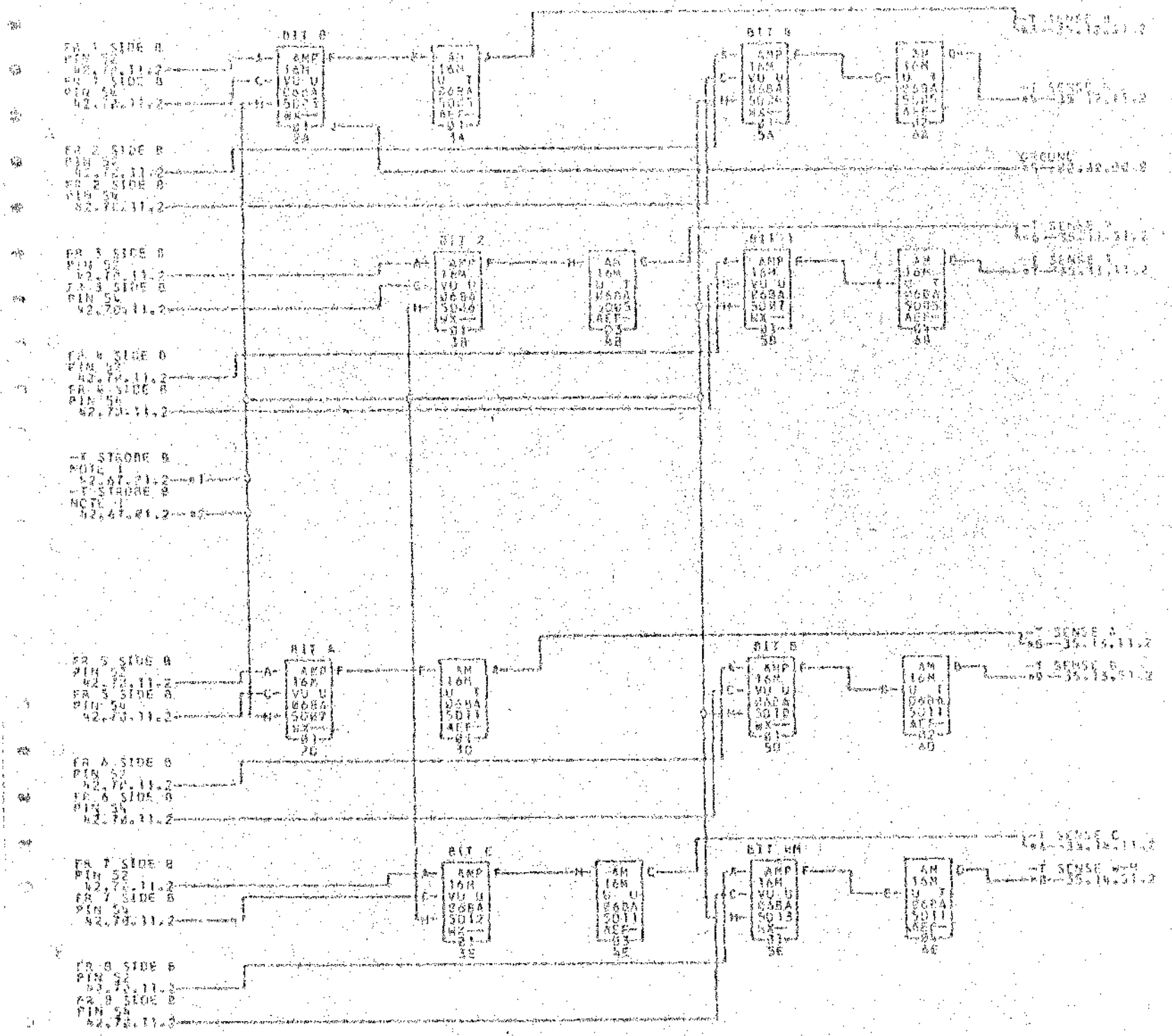
U ACTIVATE  
 SIGR 1AK  
 42-67101.2

U TIME 000-075  
 R1 NOTE 1  
 U TIME 000-075  
 R1 NOTE 1  
 U TIME 000-075  
 R1 NOTE 1

*1000 Cap. added. 1.33K to 1.33K. PIC 1000 S-05*

- \*1--2405F021
- \*2--2405F020
- \*3--2407A134
- \*4--2407A148
- \*5--2405F023A
- \*6--2405F023
- \*7--2405F020
- \*8--2405F024
- \*9--2407A130
- \*10--2407A140
- \*11--2407A146
- \*12--2405F020



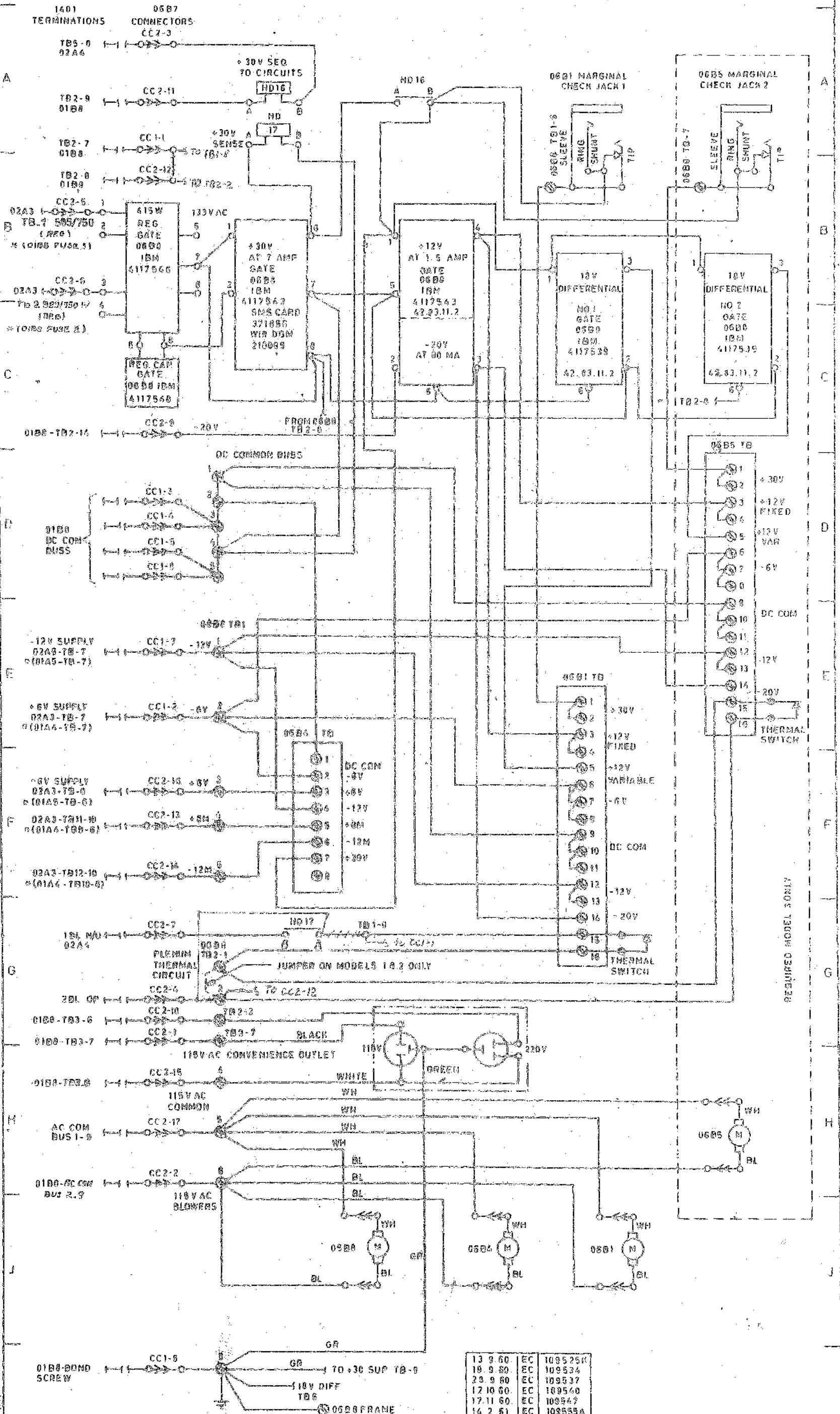


*1-2664E0AG	*2-2665F07D	*3-2665C01A	*4-2667A11A	*5-2667A11A	*6-2667A26A
*7-2667A11B	*8-2667A11C	*9-2667A11E	*10-2667A11H	*11-2667A11H	*12-2667A11H
*13-2667A11G	*14-2667A11F	*15-2667A11H	*16-2667A11H	*17-2667A11H	*18-2667A11H
*19-2667A11F	*20-2667A11H	*21-2667A11H	*22-2667A11H	*23-2667A11H	*24-2667A11H
*25-2667A11H	*26-2667A11H	*27-2667A11H	*28-2667A11H	*29-2667A11H	*30-2667A11H

NOTE 1: TIMING AND ALLOWABLE TOLERANCES OF SIGNAL PULSES ARE FOUND ON REFERENCE LOGIC 42.69.11.2

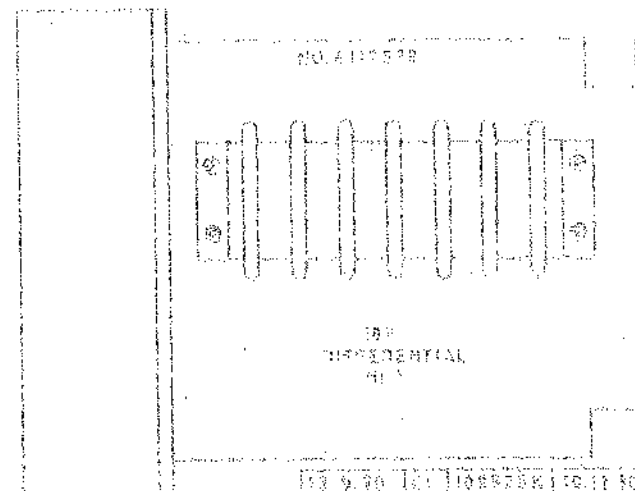
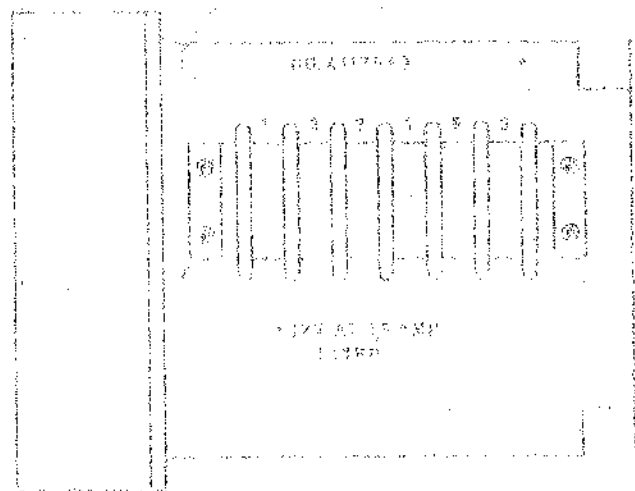
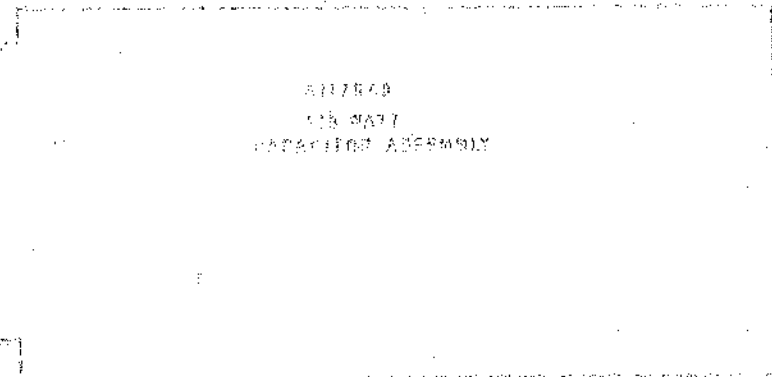
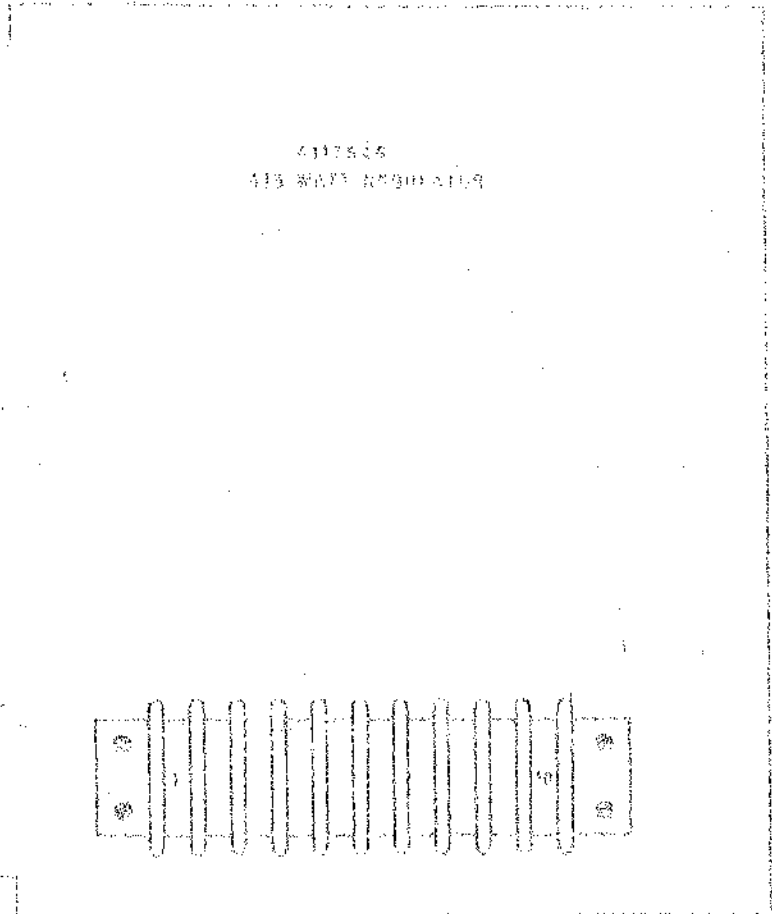
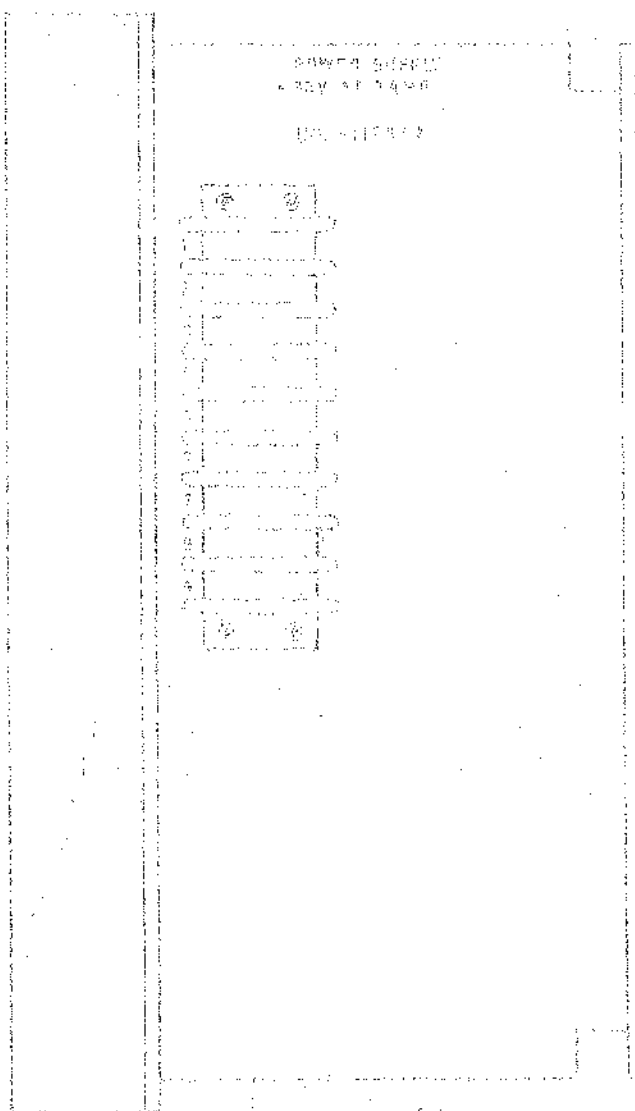
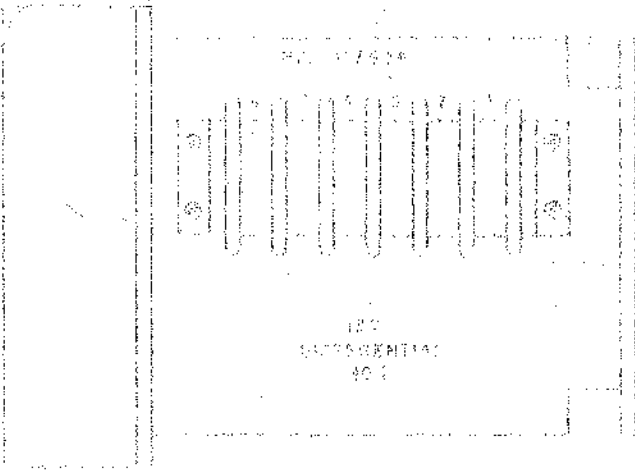
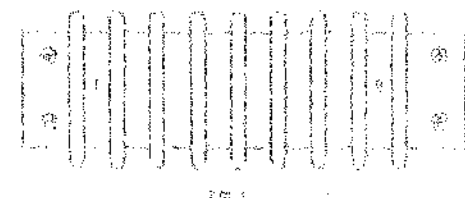
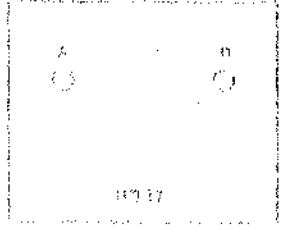
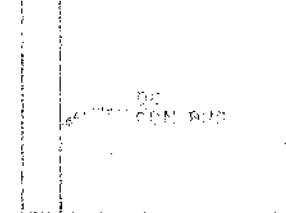
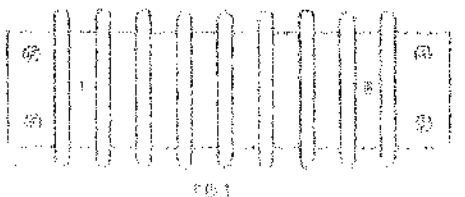
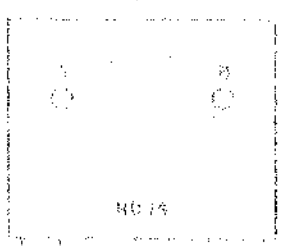
NOTE 2: REFER TO 42.69.11.2 FOR DIAGRAM OF UNTESTED CHANNELS WHICH NOT SHOWN ON

DATE: 10-25-68 S/C NO: 1095258 TAG DATE: 10-26-68 P.C. NO: 1095355 TAG DATE: 10-11-68 P.C. NO: 1095651 TAG DATE: 10-23-68 P.C. NO: 1095655



13 9 60	EC	109525A
18 9 60	EC	109534
23 9 60	EC	109537
12 10 60	EC	109540
17 11 60	EC	109547
14 2 61	EC	109559A

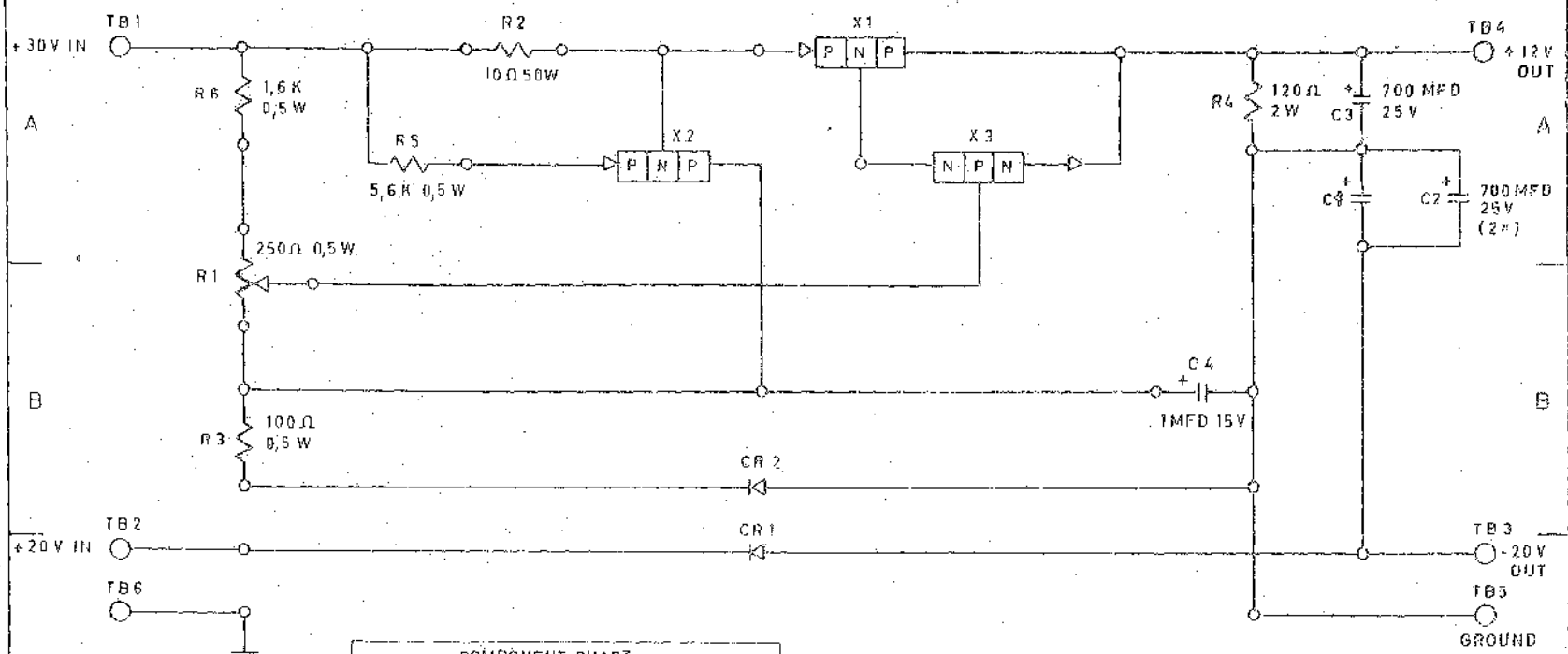
Datum		Datum		Datum	
17 3 61	EC	109564A			
30 5 61	TA	37618A			
24 1 62	TN	37615E			



NO. 417444	NO. 417444	NO. 417444	NO. 417444	NO. 417444	NO. 417444
100-117444-1	100-117444-1	100-117444-1	100-117444-1	100-117444-1	100-117444-1
100-117444-1	100-117444-1	100-117444-1	100-117444-1	100-117444-1	100-117444-1
100-117444-1	100-117444-1	100-117444-1	100-117444-1	100-117444-1	100-117444-1
100-117444-1	100-117444-1	100-117444-1	100-117444-1	100-117444-1	100-117444-1
100-117444-1	100-117444-1	100-117444-1	100-117444-1	100-117444-1	100-117444-1

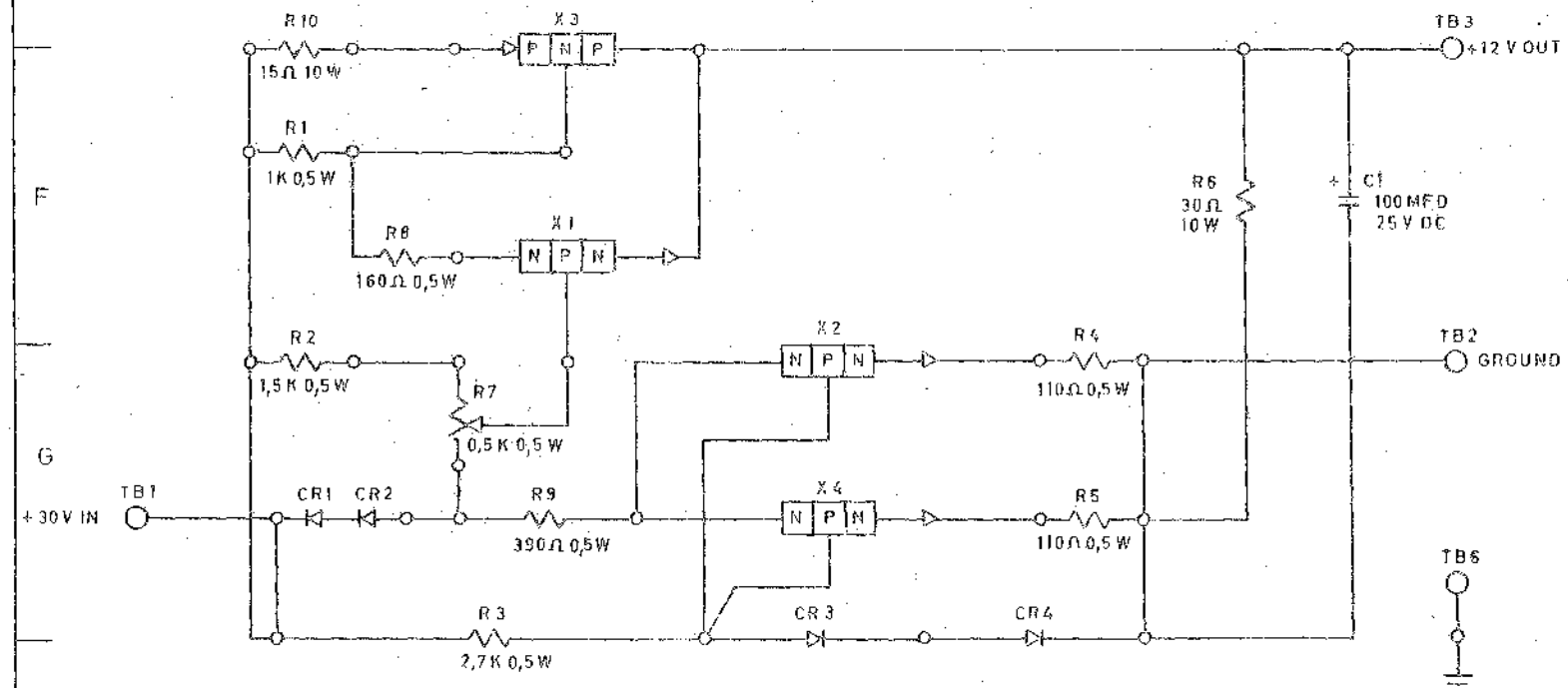
205383





COMPONENT CHART		
CODE	DESCRIPTION	PART NO
C1	CAP 700MFD 25VDC	4116259
C2	CAP 700MFD 25V DC	4116259
CR1	DIODE (10V Zener)	4116795
CR2	DIODE (10V Zener)	4116905
R1	POT 250Ω 0,5W	4117730
R2	RESISTOR 10Ω 50W	4117690
R3	RESISTOR 100Ω 0,5W	213536
R4	RESISTOR 120Ω 2W	4117745
R5	RESISTOR 5,6K 0,5W	317430
R6	RESISTOR 1,6K 0,5W	317010
X1	TRANSISTOR POWER PNP	4116902
X2	TRANSISTOR PNP	4202848
X3	TRANSISTOR NPN	4116904
C3	CAP 700MF 25V DC	4116259
C4	CAP 1MF 15V DC	4116272

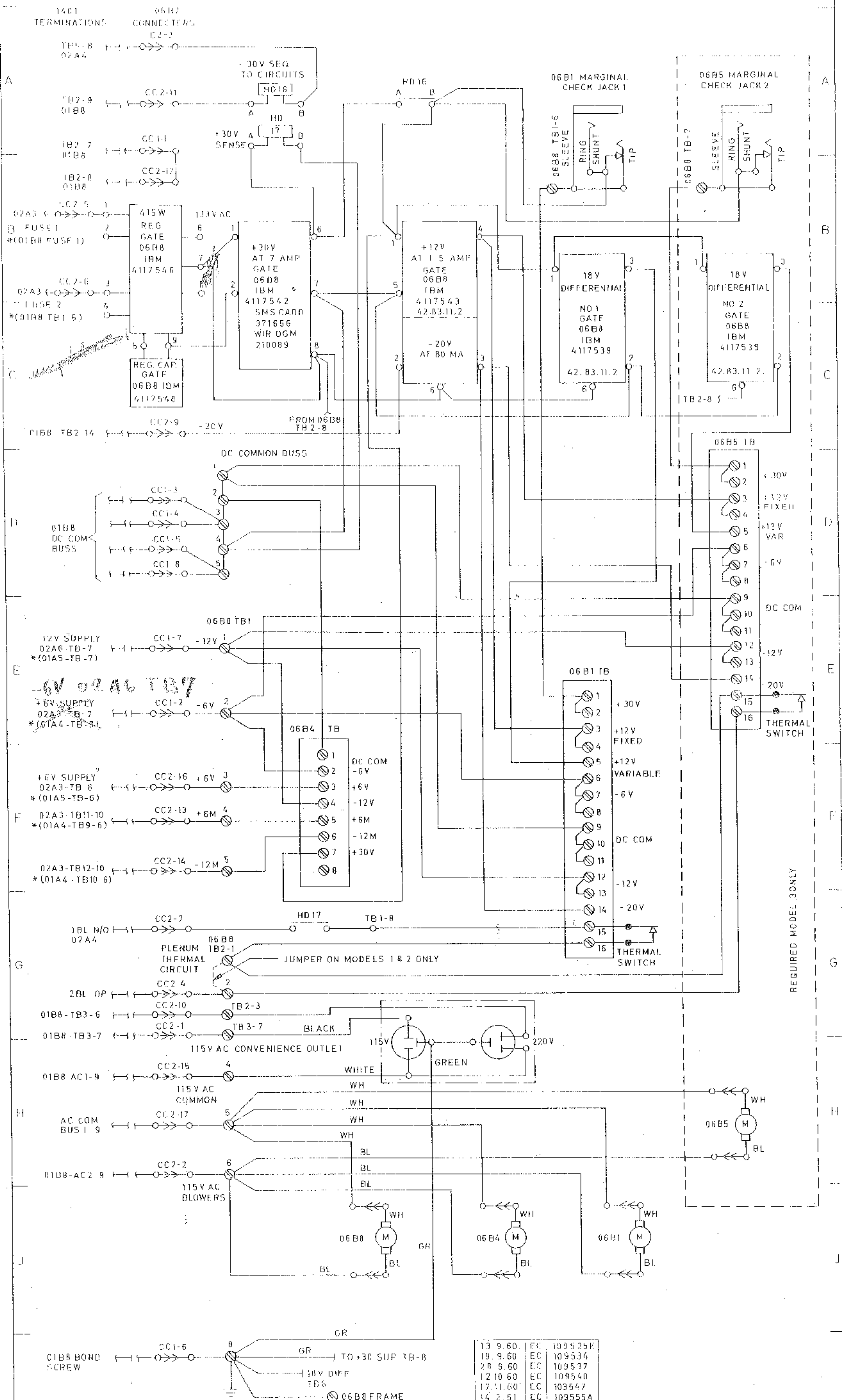
POWER SUPPLY NO 4117539  
18V DIFFERENTIAL VOLTAGE  
FOR MEMORY



COMPONENT CHART		
CODE	DESCRIPTION	PART NO
C1	CAP 100MF 50V DC	4202827
CR1	DIODE (10V Zener)	4116905
CR2	DIODE (10V Zener)	4116905
CR3	DIODE (AU)	4116905
CR4	DIODE (AU)	4116907
R1	RESISTOR 1K 0,5W	213693
R2	RESISTOR 1,5K 0,5W	317017
R3	RESISTOR 2,7K 0,5W	317021
R4	RESISTOR 110Ω 0,5W	132422
R5	RESISTOR 110Ω 0,5W	132422
R6	RESISTOR 30Ω 10W	4117674
R7	POT 0,5K 0,5W	4117735
R8	RESISTOR 160Ω 0,5W	317005
R9	RESISTOR 390Ω 0,5W	317009
R10	RESISTOR 15Ω 10W	4117673
X1	TRANSISTOR NPN	4116904
X2	TRANSISTOR NPN	4116904
X3	TRANSISTOR POWER PNP	4116902
X4	TRANSISTOR NPN	4116904

13. 9. 60.	EC	109525K					
Datum							
11. 11. 60.	EC	109546					
30.5.61	TA	37615A					

WIRING DIAGRAM  
1406 POWER DISTRIBUTION



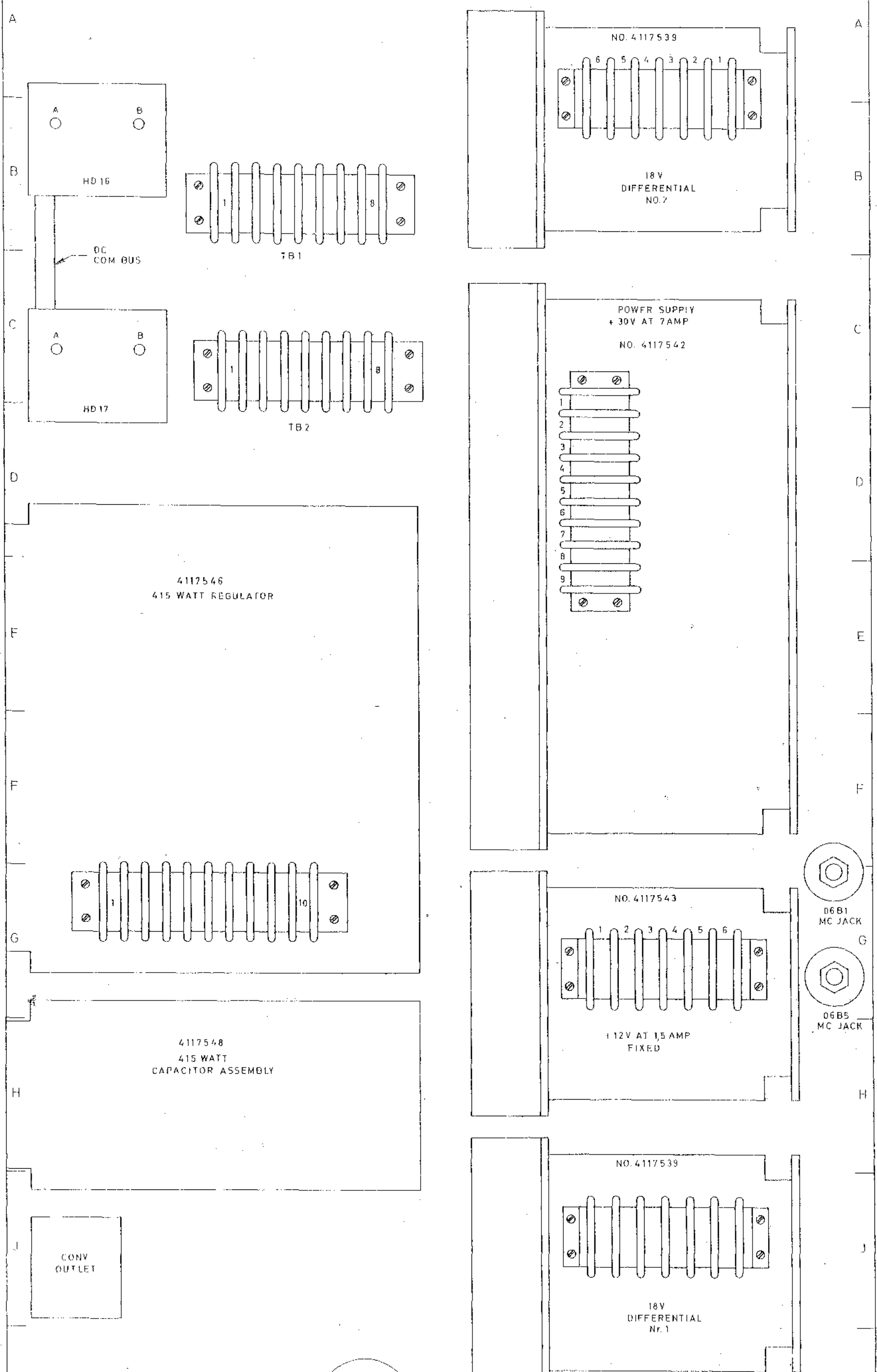
13 9.60	EC	109525K
19 9.60	EC	109534
28 9.60	EC	109537
12 10.60	EC	109540
17 11.60	EC	109547
14 2.51	EC	109555A

Datum		Datum		Datum	
17 3 61	EC	109564 A			
30 5 61	TA	37615 A			

805388  
REFERENCE  
DRAWING

1406 POWER SUPPLY GATE LAYOUT  
06B8

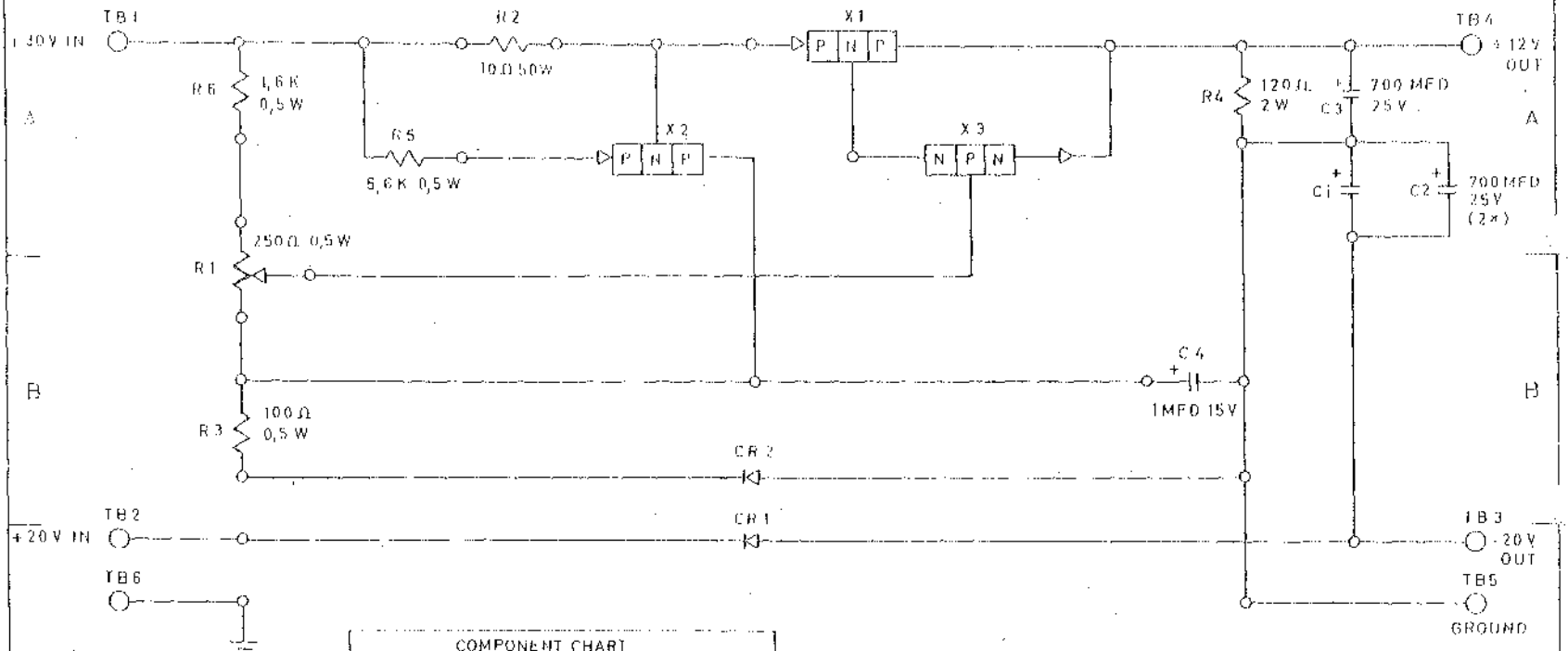
42.82.11.2



CABLE ENTRY  
FROM 06B7

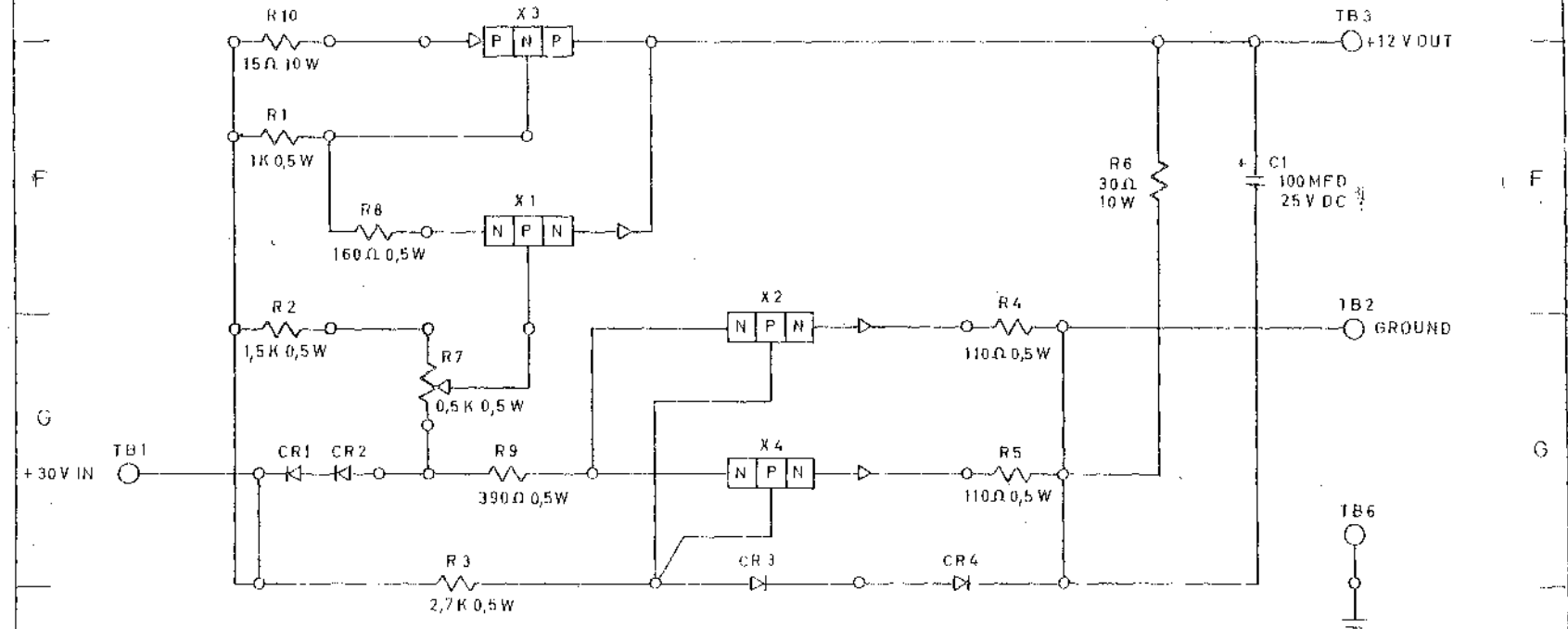
Datum	13. 9. 60	EC	109525 K	10.12.60	EC	109540
	19. 9. 60.	EC	109534	17.11.60	EC	109547
14. 2. 61.	EC	109555 A				
30. 5. 61	TA	37615 A				

WIRING DIAGRAMS 1406 12VOLT POWER SUPPLIES  
 POWER SUPPLY NO 4117543  
 +12V AT 1,5 AMP  
 +20V AT 80 MILS FILTERED



COMPONENT CHART		
CODE	DESCRIPTION	PART NO
C1	CAP 700MFD 25V DC	4116259
C2	CAP 700MFD 25V DC	4116259
CR1	SI-RECTIFIER 100V 0,5A	4116795
CR2	DIODE (10V Zener)	4116905
R1	POT 250Ω 0,5W	4117730
R2	RESISTOR 10Ω 50W	4117698
R3	RESISTOR 100Ω 0,5W	213536
R4	RESISTOR 120Ω 2W	4117745
R5	RESISTOR 5,6K 0,5W	317430
R6	RESISTOR 1,6K 0,5W	317018
X1	TRANSISTOR POWER PNP	4116902
X2	TRANSISTOR PNP	4202848
X3	TRANSISTOR NPN	4116904
C3	CAP 700MF 25V DC	4116259
C4	CAP 1MF 15V DC	4116272

POWER SUPPLY NO 4117539  
 18V DIFFERENTIAL VOLTAGE  
 FOR MEMORY



COMPONENT CHART		
CODE	DESCRIPTION	PART NO
C1	CAP 100MF 50V DC	4202827
CR1	DIODE (10V Zener)	4116905
CR2	DIODE (10V Zener)	4116905
CR3	DIODE (AU)	4116905
CR4	DIODE (AU)	4116907
R1	RESISTOR 1K 0,5W	213693
R2	RESISTOR 1,5K 0,5W	317017
R3	RESISTOR 2,7K 0,5W	317021
R4	RESISTOR 110Ω 0,5W	132422
R5	RESISTOR 110Ω 0,5W	132422
R6	RESISTOR 30Ω 10W	4117674
R7	POT 0,5K 0,5W	4117735
R8	RESISTOR 160Ω 0,5W	317005
R9	RESISTOR 390Ω 0,5W	317009
R10	RESISTOR 15Ω 10W	4117673
X1	TRANSISTOR NPN	4116904
X2	TRANSISTOR NPN	4116904
X3	TRANSISTOR POWER PNP	4116902
X4	TRANSISTOR NPN	4116904

13. 9. 60	EC	109525K		
Datum				
11. 11. 60	EC	109546		
30. 5. 61	TA	37615A		