

4K

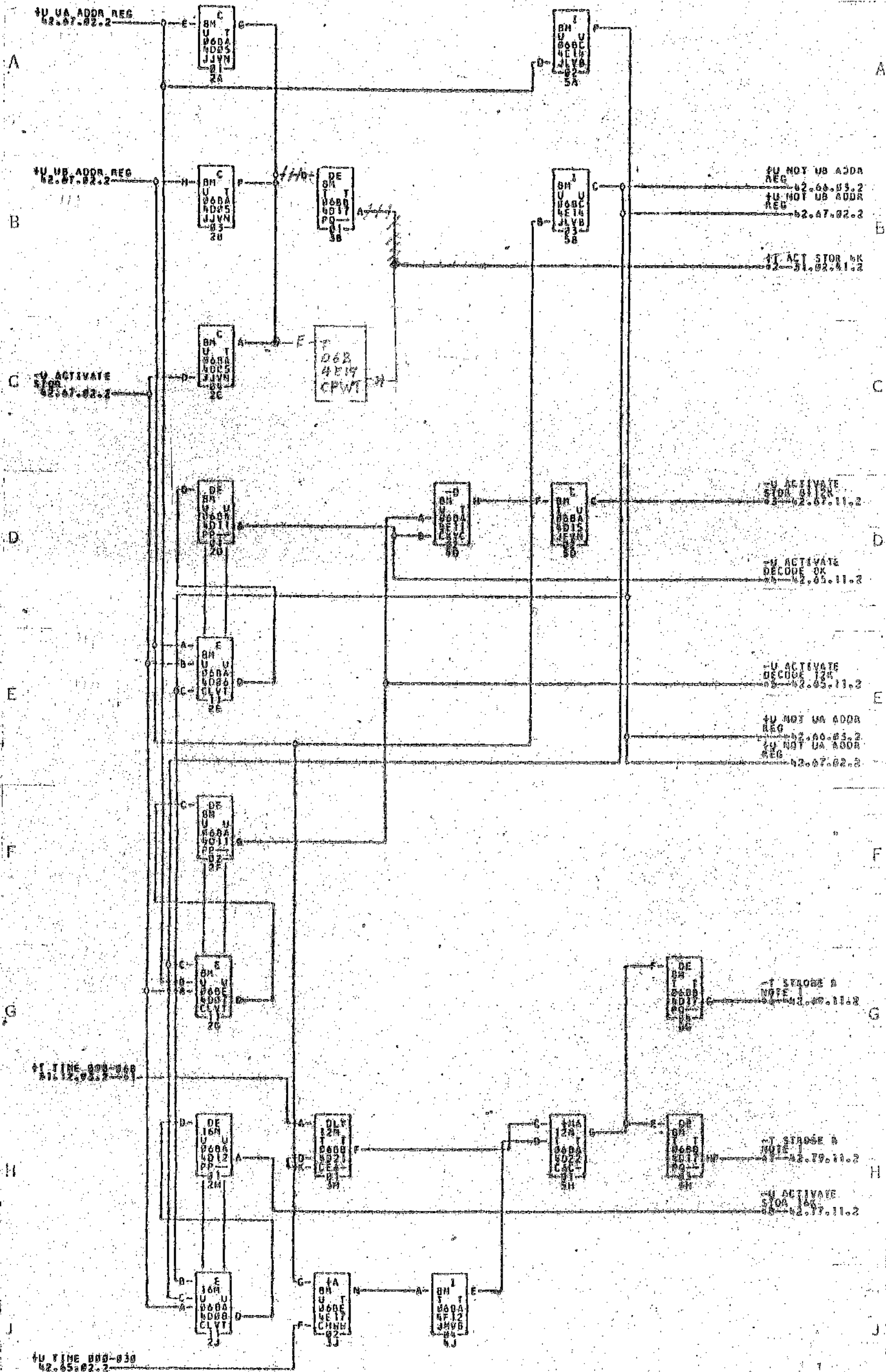
8K

12K

16K

- \*1--06B7A16H
- \*2--06B4D01L
- \*3--06B4D02G
- \*4--06B4D02K
- \*5--06B4D02L
- \*6--06B4D02H
- \*7--06B4D03D
- \*8--06B4D03C
- \*9--06B4D02E

00  
00  
04  
04  
04



4K

8K

12K

16K

- \*1--0007A10H
- \*5--0004D01K
- \*2--0004D01L
- \*6--0007A12L
- \*3--0004D02G
- \*7--0004D03D
- \*4--0004D02L
- \*8--0004D03C
- \*9--0004D02L
- \*0--0004D03C
- \*10--0004D02L
- \*11--0004D03C

NOTE 1. TIMING AND COMMENTS OF STORAGE PULSES ARE FOUND ON REFERENCE LOGIC 82.00.03.2

TAG	DATE	E.C. NO.	TAG	DATE	E.C. NO.	TAG	DATE	E.C. NO.
1A	08-10-68	187538	1B	08-23-68	187539	1C	08-28-68	187535

80  
43  
11

MISSING FEATURE	GATE	LOGIC NO.	SIGNAL NAME	PIN LOC	TIED TO
ADV. PROG.	01A3	35.10.51.2	-T NOT STORE	F23P	F21K
ADV. PROG.	01A3	35.10.51.2	-T NOT INDEX 1	F23K	F22K
ADV. PROG.	01A7	32.34.11.2	-T NOT INDEX 2	B24J	B22K
ADV. PROG.	01A7	32.34.21.2	+U NOT INDEX	B24H	B22J
ADV. PROG.	01A8	32.42.11.2	-T NOT INDEX	E26Q	D23K
ADV. PROG.	01B2	31.02.41.2	+T PREVENT ACT STDR	A02N	A06K
ADV. PROG.	01B2	31.06.11.2	+U NOT P OPR	A02M	A06J
ADV. PROG.	01B2	31.30.11.2	-T NOT BLOCK I RING	A01Q	A07K
ADV. PROG.	01B2	31.30.11.2	+U NOT Q MODIFY	A01R	A06J
ADV. PROG.	01B3	34.31.19.2	-T STORE CYCLE 2 ADDER CARRY	D02K	D05L
ADV. PROG.	01B6	31.31.31.2	-T NOT I B STAR 1	E01P	E06K
ADV. PROG.	02B1	74.21.31.2	+U GATE IN OVLP STAR	F23G	F23K
ADV. PROG.	02B1	74.21.31.2	+U NOT PREVENT I STAR RD	F23B	F24H
ADV. PROG.	02B1	74.11.71.2	-T NOT STORE CYCLE 123	B03J	B06K
CF 1404 AND STL	01B1	36.43.11.2	-U FORMS SIDE + NOT STL MOD	D06F	D06J
CF 1404 AND STL	01B1	36.48.21.2	-T FORMS SIDE+NOT STL MOD	F02N	F04K
CF 1404 AND STL	01B1	36.48.31.2	-T CF EJECT CTRL	F02R	F06L
COL. BINARY	01A8	32.42.11.2	+U NOT COL BIN CONTROL	D24N	D23J
COL. BINARY	01B7	36.23.31.2	-T NOT COL BIN CONTROL	D01M	D05K
COL. BINARY	02B2	74.11.91.2	COLUMN BINARY INDICATER	E06P	D20L
COL.BIN AND BIT T	01A3	35.18.11.2	+U BIT TEST OP	B24P	B20M
COMP TAPE	01A8	32.42.41.2	-T TRANSFER STAR	E26H	D23L
COMP TAPE	02A2	70.51.21.2	-T NOT COMP WRD	A23D	A22K
COMP TAPE	02B6	44.70.21.2	-T A CYCLE ELIM	F06D	F06L
DUAL SPD CARR	01B1	36.48.31.2	-T HI SPEED START	F03N	F05L
DUAL SPD CARR	01B1	36.48.31.2	-T HI SPEED STOP	F03Q	F04L
EXP PR EDIT	01A3	35.10.31.2	+U FLOATING POUND	B26G	B21M
EXP PR EDIT	01A3	35.10.31.2	+U INH SW ASTERISK FILL	B26H	B20M
EXP PR EDIT	01A3	35.11.51.2	-T EXP EDIT ENT FLDAT POUND	E03F	E05L
EXP PR EDIT	01A3	35.12.11.2	-T EXP EDIT ENT AST FILL	E03D	E06L
MD	01A7	32.32.21.2	+U A STAR GATE OUT CALC	A23H	A17J
MD	01A7	32.33.11.2	-T B STAR GATE IN UNITS CALC	A23K	A17K
MD	01A7	32.33.21.2	-T B STAR GATE - IN T + H CALC	A23L	A18K
MD	01A7	32.33.31.2	+U B STAR GATE OUT CALC	A23J	A18J
MD	01A7	32.38.11.2	-T ADDR REG SET H A CALC	B26N	A22L
MD	01A7	32.38.21.2	-T ADDR REG SET H B CALC	B26M	B20L
MD	01B2	31.06.11.2	+U NOT CALC	A03A	A06J
MD	01B2	31.06.11.2	-T NOT AUR STAR KEY	B03O	B05K
MD	01B2	31.25.11.2	-T NOT B AUR STAR KEY	B03R	B05K
MD	02B1	74.11.71.2	-T NOT A CYCLE ELIM LAT CAL	C01N	D05K
MAGNETIC EMITTER	01B1	36.41.11.2	MAGNETIC EMITTER IMPULSE	C25H	C25L
OVERLAP	01A6	36.31.91.2	-T NOT OVLP CY NPF NU	F23J	E22K
OVERLAP	01A6	36.31.91.2	-T NOT OVLP CY PF NU	F23M	E22K
OVERLAP	01A6	36.31.91.2	-T NOT OVLP CY PF NNU	F23N	E22K
OVERLAP	01A7	32.38.11.2	-T NOT OVLP CYCLE NPF NNU	F23N	E22K
OVERLAP	01A7	32.38.21.2	-T ADDR REG SET HA OVLP	C22L	B21L
OVERLAP	01A7	32.38.31.2	-T ADDR REG SET HB OVLP	C22M	B21L
OVERLAP	01A8	32.42.11.2	-T NOT OLAP CONTROL	A25K	B23K
OVERLAP	01B2	31.02.11.2	-T NOT OLAP CYCLE	D05K	D08K
OVERLAP	01B4	36.11.11.2	-T NOT OVLP CYCLE	D04J	D05K
OVERLAP	01B4	36.22.11.2	-T NOT OVLP FEATURE	D04H	D06K
OVERLAP	01B4	36.22.11.2	-T NOT T + I-O OVLP MODE	F04E	E09K
OVERLAP	01B4	56.70.21.2	-U OLAP BUSY AND RP OVLP MODE	D04N	D06J
OVERLAP	01B6	34.21.41.2	-T NOT OVLP CYCLE	F02A	F05K
OVERLAP	01B6	34.21.41.2	-T RP OLAP MODE	F02J	F05L
OVERLAP	01B7	56.12.11.2	NO SIGNAL NAME	C20D	C20H
OVERLAP	02A2	70.11.21.2	+U DELTA PROCESS	B26C	B21J
OVERLAP	02A2	70.11.41.2	+U NOT T + IO OV MODE	B25F	B22J
OVERLAP	02B1	74.31.21.2	+U NOT OVERLAP CYCLE	D03R	D04J
OVERLAP	02B6	41.51.51.2	-T NOT PREVENT I-STAR RO	C03M	C08K
OVERLAP	02B8	74.61.01.2	-T ALL SCANS COMP	D04Q	D05L
PFR CRD FD COMP	01B4	36.10.21.2	+U PFR OPR	F01Q	F05N
PFR CRD FD COMP	01B4	36.12.21.2	+U NOT PFR OPR	F01P	F05J
PFR AND OLVP CFC	01B4	36.10.21.2	-T PFR OPR	C18D	C18L
PFR AND 1404	02B2	74.11.91.2	-T PFR OPR	E06R	D19L
PRINTER	01A6	36.33.21.2	-T EQ CHK INHIBIT	B22G	B22L
PRINTER	01A6	36.37.11.2	HOME ERROR TRIG PERCENT WITH	D04H	D04J
PRINTER	01A6	36.37.11.2	OR W.O PRINT BUFFER	D04H	D04J
PRINTER	01A6	36.37.21.2	-T PRT CHECK LATCH	F10H	F10L
PRINT BUFF	01A7	32.30.11.2	-T NOT PR STORAGE SCAN	D25F	D22K
PUNCH FD RD	01A8	32.42.31.2	+U NOT TRANSFER SCAN	E24J	E23J
READER-PUNCH	01A2	37.20.11.2	+U READER LIGHT	A19C	A24A
READER-PUNCH	01A3	35.14.11.2	-T ENCODE C GATE	A23L	A20L
READER-PUNCH	01A3	35.17.11.2	-T NOT MLP	D25H	E20K
READER-PUNCH	01A3	35.18.11.2	-T B REG XFER	A23N	A19L
READER-PUNCH	01A3	35.18.11.2	-T LOAD LATCH	D24G	D20L
READER-PUNCH	01A7	32.31.11.2	+U RD-PCM ARITH ZONE INH	A23F	A20H
READER-PUNCH	01A7	32.31.11.2	+U RD ADDRESS SETUP CONTROL	D25A	E22M
READER-PUNCH	01A7	32.31.11.2	+U RD ADDRESS SETUP CONTROL	D25B	F22M
READER-PUNCH	01A8	32.42.11.2	-T RD PUNCH SCAN	E24K	D22M
READER-PUNCH	01B1	35.21.11.2	-T GATED LOAD KEY	D02R	E04L
READER-PUNCH	01B2	31.02.21.2	-T RD PCH SCAN GATE	A04H	A09L
READER-PUNCH	01B2	31.02.21.2	-T RD PCH OP	A04G	A08L
READER-PUNCH	01B2	31.09.11.2	-T RD PCH CHECK	A04A	A07L
READER-PUNCH	01B2	31.09.51.2	+U GATED LOAD KEY	A04K	A07M
READER-PUNCH	01B6	34.21.31.2	+U READ END	A03A	B05J
READER-PUNCH	01B6	34.21.51.2	-T PUNCH LIGHT	A03B	B09L
READER-PUNCH	01B6	34.21.51.2	+U READ ERROR CHECK	A03M	B07M
READER-PUNCH	01B6	34.21.51.2	+U PUNCH CHECK	A03N	B08M
READER-PUNCH	01B6	34.32.20.2	-T RD-PCM ARITH DIGIT INHIBIT	A03J	A06L
READER-PUNCH	01B6	35.30.31.2	+U BLOCK B REG CHK	A03F	B06M
READ PCH AND 1407	01B2	31.09.51.2	+U NOT REGEN. B REG WM	A04B	A06M
READ PCH REL	01B1	56.70.11.2	+U FEED REL OP	D01J	A05M
READ PCH REL	01B1	56.70.11.2	+U PCH REL OP	D01R	B05M
READ PCH REL	01B4	56.70.21.2	-T RD REL TRIGGER	A17B	A17L
READ PCH REL	01B4	56.70.21.2	-T PCH REL TRIGGER	B15F	B16L
SENSE SWITCHES	01B6	34.22.11.2	-T SS TRSFR PRG SKIP	A24C	A24L
SEL TAPE LIST	01B1	36.46.11.2	-T STL MODE	F02Q	F04L
SERIAL I/O	01B3	34.33.13.2	-T I-O ERROR LIGHT	D02E	F19L
SERIAL I/O	02A1	71.31.21.2	-T NOT SELECT I/O ATTACH	D10A	C18K
SERIAL I/O	02B1	74.31.41.2	+U SELECT I-O ATTACH	D03G	D04N

794237/1A

PART NO.  
0794237

NAME  
TIE DOWN LIST TAPER PIN IFC

GATE  
0288

E C NO.

LOGIC NO.  
42-40-10-2

SHEET 2 OF 2

MISSING FEATURE	GATE	LOGIC NO.	SIGNAL NAME	PIN LOC	TIED TO
TAPES	01B1	35.29.11.2	-T TAPE ERROR	C03P	C04L
TAPES	01B2	31.09.51.2	-U LOAD TAPE	A03P	B05J
TAPES	02A2	70.11.41.2	+U SELECT+TI-DM	A25M	B22M
TAPES	02A2	70.11.41.2	+U TAU ERROR	A25K	A22M
TAPES	02A2	70.51.21.2	-T NOT LOAD TAPE LATCH	C26A	D23K
TAPES	02A2	70.61.21.2	-T TAU RD ERROR	A13H	A13M
TAPES	02A2	70.61.21.2	-T TAU RD ERROR	A25L	A13P
TAPES	02A2	70.61.41.2	-T DIAGNOSTIC	C25J	C22L
TAPES	02A2	73.12.21.2	-T BRANCH L MOD B+F	D26G	F23L
TAPES	02B1	74.11.81.2	-T LOAD TAPE SS	E03M	E07L
TAPES 729	02A1	71.61.21.2	+U NOT 729 CNTRL LATCH	D17M	F17J
TAPES 729	02B2	89.60.01.1	-Y SEL + READY MOD 2	C08B	C08C
TAPES 729	02B2	89.60.01.1	-Y SEL + READY MOD 4	C08K	C08J
TAPES 729	02B2	89.60.02.1	-Y SEL + LP 729	C09K	C09J
TAPES 729	02B2	89.60.10.1	-Y SEL + RDY WR 729	D10K	D10G
TAPES 729	02B2	89.60.10.1	-Y SEL + RDY RD 729	D10B	D10C
TAPES + SERIAL I/O	01A3	35.10.51.2	-T NOT A REG RESET TAPE	C24E	C19K
TAPES + SERIAL I/O	01A3	35.18.41.2	+U A REG INH	D23M	D22J
TAPES + SERIAL I/O	01A3	35.18.41.2	+U TRFR A REG DIGIT+ZONE	D23P	D21J
TAPES + SERIAL I/O	01B2	31.08.11.2	-T NOT UNIT SELECT	C01K	C07K
TAPES + SERIAL I/O	01B3	31.10.11.2	-T CLOCK CONTROL	A03G	A06K
TAPES + SERIAL I/O	01B6	35.30.31.2	-T NOT A REG ERROR RESET	E01Q	E05K
TAPES + SERIAL I/O	02B1	74.11.71.2	+U WRITE CALL	D03M	D05M
TAPES + SERIAL I/O	02B1	74.21.01.2	+U T + I/O OVL P MODE	C17E	C17H
TAPES + SERIAL I/O	02B1	74.21.31.2	-T NOT PREVENT I STAR RD	F02G	F04K
TAPES + SERIAL I/O	02B1	74.11.71.2	WRITE LATCH	D09D	D09M
TAPES + SERIAL I/O	02B1	74.31.41.2	+U TAPE + I/O	D19B	D17H
TAPES + SERIAL I/O	02B1	74.31.41.2	+U INLK PROC CTRL	D19F	D21M
TAPES + SERIAL I/O	02B1	74.41.11.2	-T OVERLAP LOAD DPR	F01H	E04L
TAPES + SERIAL I/O	02B1	74.41.11.2	-T UNIT SELECT	D03L	D06L
TAPES + SERIAL I/O	02B1	74.21.01.2	-T NOT T + OVL P MODE	F21N	F19K
TAPES + SERIAL I/O	02B1	74.21.01.2	+T TAPE + I/O OVL P MODE	C10E	C10L
TAPES + SERIAL I/O	02B2	74.11.91.2	-T TAPE + I/O	E06E	D17L
TAPES + SERIAL I/O	02B2	74.11.91.2	-T LD-ER-I/O INLK	E06K	D18L
STERLG EXP PR EDIT	01B6	34.10.61.2	-T NOT POUND	E14D	E14K
STERLG EXP PR EDIT	01B6	34.10.61.2	-T NOT DEC L	E15E	E15K
1311	01A3	35.10.51.2	-T A CYCLE	E18B	B15B
1311	01B2	31.20.11.2	-T A CYCLE LATCH	E24E	D26P
1311	02B6	41.50.51.2	-T T RING 3	A01D	B12E
1404	02B2	74.11.91.2	-T CF OPR TO OVL P	E06Q	D16L
1404 OR CFC	01B4	36.01.21.2	-T A REG 0	E04M	E06L
1405	01A3	35.18.41.2	+U NOT FILE OP	D14G	F11N
1405	01A8	32.42.41.2	-T WR FILE LAST CHAR	C24P	C23L
1405 AND 1409	01B2	31.09.21.2	-T FILE OP	A03R	A06L
1405 AND 1311	01A3	35.18.41.2	+U NOT FILE OP	F23P	F21J
1405 AND 1311	01A7	35.33.31.2	+U NOT A FOR B SUBSTITUTE	F25M	F21J
1405 AND 1311	02A8	79.01.09.2	-T FILE CHECK WITH HL AND INQ	B17B	B17L
1405 AND 1311	02B6	41.50.01.2	-T NOT FILE PERCENT LATCH	C03L	C06K
1405 AND 1311 1409	01A6	36.31.51.2	+U CLOCK CONTROL RANAC	D24K	F21J
1405 AND 1311 1409	01B6	36.30.31.2	-T FILE ALLOW A REG CHK	C01A	C05K
1406	01A7	32.30.11.2	-U FULL STOR PRINT	F23D	F22J
1406	01A7	42.61.01.2	+U UA ADDR REG	F23L	F21M
1406	01A8	32.42.11.2	+U ADDR MOD + 1	B25C	D21M
1406	01A8	42.62.01.2	-T BLOCK -1 MODIFY	B25B	B22L
1406	01A8	42.62.04.2	-T SERIAL NOT UA	B24K	B20K
1406	01A8	42.62.04.2	-T SERIAL NOT UB	B24M	B21K
1406	01B1	44.62.02.2	+U GATED ADD MODIFY OPR	F06H	F06M
1406	01B2	31.06.11.2	+U NOT ADDRESS MOD. OPR.	B02J	A07J
1406	01B3	34.31.15.2	-T MOD OP BLOCK NU CARRY	A01N	A06L
1406	01A3	34.31.15.2	-T NOT MODIFY BLOCK NUMERIC	F03H	F05K
1406	02B6	41.50.71.2	+T TIEDOWN 1,4, 2 AND 4K	B20P	B20L
1407 AND 1447	02B6	41.50.01.2	-T NOT INQ A INDEX BLK	C03N	C07K
1447 AND 1407 1311	01B2	31.21.11.2	-T SET DELTA I LATCH	F05A	F06L

TIEDOWNS FOR VARIOUS STORAGE OPTIONS OR FEATURE

FEATURE OR STORAGE CONTAINED IN MACHINE	GATE	LOGIC NO.	SIGNAL NAME	PIN LOC	TIED TO
1.4K	01A7	42.61.03.2	+U UB ADDR REG	F23K	F22M
1.4K	01A8	32.43.61.2	PREVENT H B MODIFICATION	D12B	D12L
1.4K	02A7	44.16.01.2	HB A AUX	A10A	C10L
1.4K	02A7	44.16.01.2	HB B AUX	A10E	D10L
2K	01A7	42.61.03.2	+U UB ADDR REG	F23K	F22M
2K	01A8	32.43.61.2	PREVENT H B MODIFICATION	D12B	D12L
2K	02A7	44.16.01.2	HB A AUX	A10A	C10L
2K	02A7	44.16.01.2	HB B AUX	A10E	D10L
4K	01A7	42.61.03.2	+U UB ADDR REG	F23K	F22M
4K	01A8	32.43.61.2	-T NOT 1K-2K CHAR CTRL	D12P	D12K
8K	01A7	42.61.03.2	+U U B ADR REG	F23K	F22M
8K	01A8	32.43.61.2	-T NOT 1K-2K CHAR CTRL	D12P	D12K
12K	01A8	32.43.61.2	-T NOT 1K-2K CHAR CTRL	D12P	D12K
12K	01A8	42.62.03.2	+T TIEDOWN FOR 12K ONLY	B02C	D20L
12K	01A8	42.62.03.2	+T TIEDOWN FOR 12K ONLY	B02F	B02L
16K	01A8	32.43.61.2	-T NOT 1K-2K CHAR CTRL	D12P	D12K
1311 N/O APF	01A8	32.44.31.2	-U PREVENT 12 ZONE CHECK	D08D	D08M
1405 N/O APF	01A8	32.44.31.2	-U PREVENT 12 ZONE CHECK	D08D	D08M
1407 N/O APF	01A8	32.44.31.2	-U PREVENT 12 ZONE CHECK	D08D	D08M
1447 N/O APF	01A8	32.44.31.2	-U PREVENT 12 ZONE CHECK	D08D	D08M
OVERLAP	01A8	32.42.11.2	-U BLK RP SCAN+1MOD	D02A	D02M

TIEDOWNS THAT HAVE BEEN OBSOLETE

1406	01A3	35.13.11.2	+U A REG SET A	F25K	F22M
------	------	------------	----------------	------	------

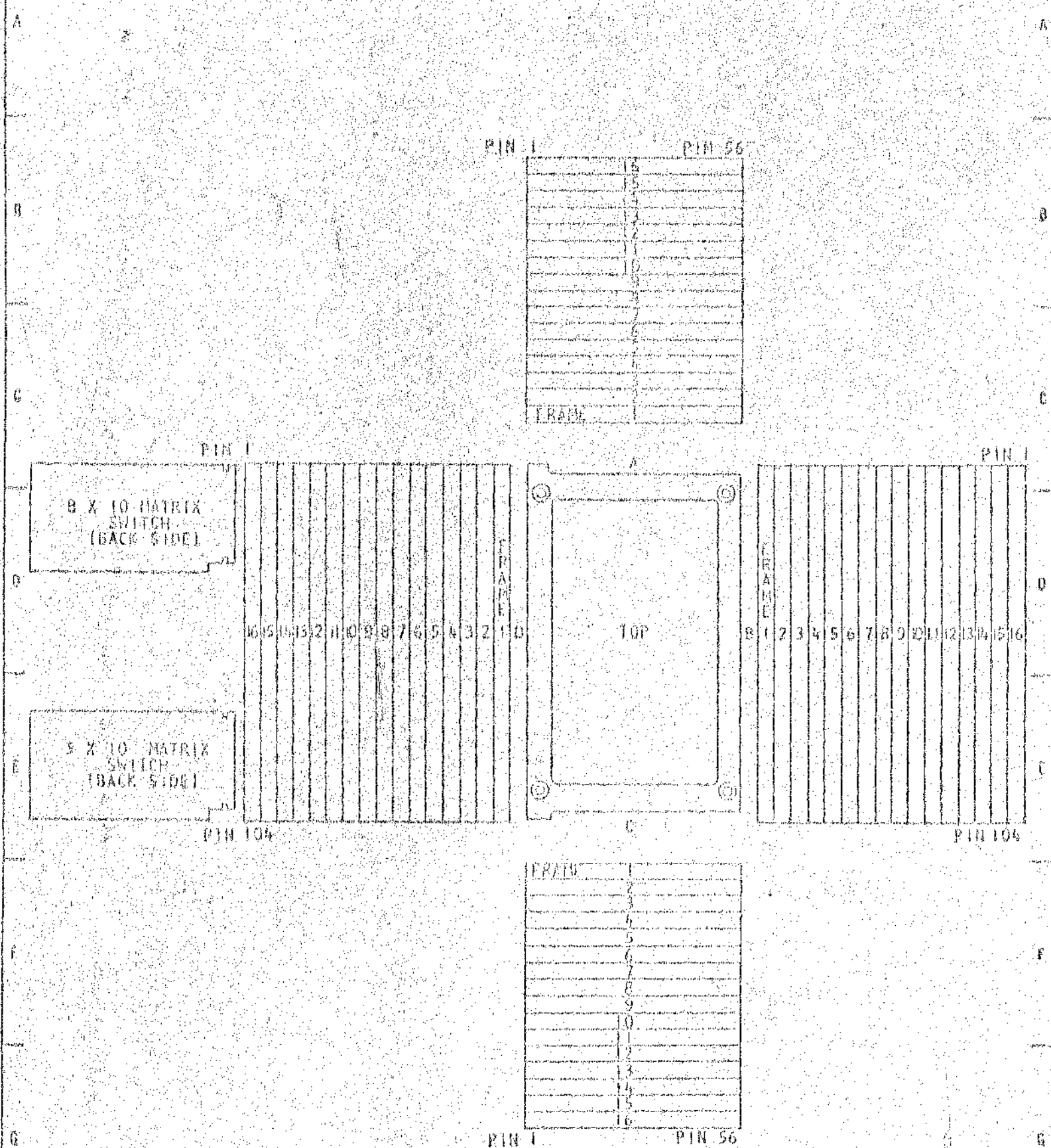
STERLING TIEDOWNS

STERL. EXPD COMPR.	02B8	34.92.11.1	-T NOT COMPRESS	C04E	C04K
STERL. EXPD COMPR.	02B8	44.90.11.1	+U EXPAND	E15A	E16M
STERL. EXPD COMPR.	02B8	44.90.21.1	-T EXPAND 1ST PENCE	D05F	D05L
STERL. EXPD COMPR.	02B8	44.90.31.1	-T TRFR STAR CTRL COMPR	D25F	D25L

\$ DATE 02.04.63 TA1607 LD 04.17.63 TA1607BSC 06.05.63 TA1815E LD 01.15.63 TA1859C  
 \$ DATE 09.02.63 TA1917C 10.04.63 TA1917H 11.04.63 TA1917M 02-01-65 T22466  
 \$ DATE 09.10.65 TA32519

794237/2

STORAGE CORE FRAMES



NOTE  
X PLANES 5, 6, 7, AND 8 ARE REMOVED WHEN USED AS TWO THOUSAND-WORD STORAGE.

DATE 9.4.61 DATE 12.6.61  
TA 21075 TA 21075A

DATE	EC NO	DATE	EC NO	DATE	EC NO
11-23-60	110401				
3-30-61	110432F				

722594  
37663A

722655  
REFERENCE DRAWING

5 X 10 MATRIX SWITCH

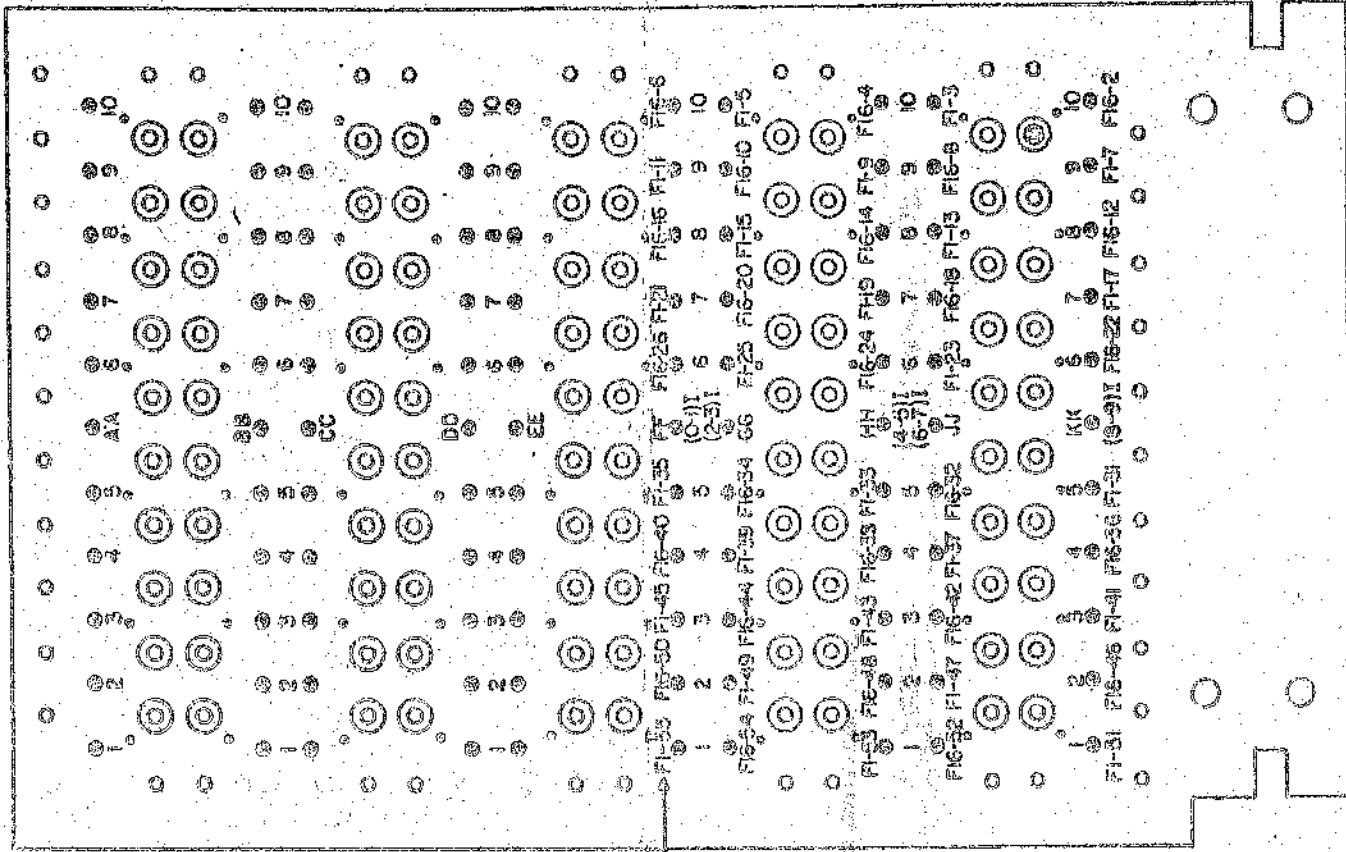
01A1

42.40.21.2

TAG DATE  
18.6.64  
TA 37663A

6.8.62  
TA 1129

ALL WIRES GO TO SIDE C OF FRAME 1 AND 16  
(0-1) = ZERO AND ONE HUNDREDS TERMINAL ON RESISTOR BOARD

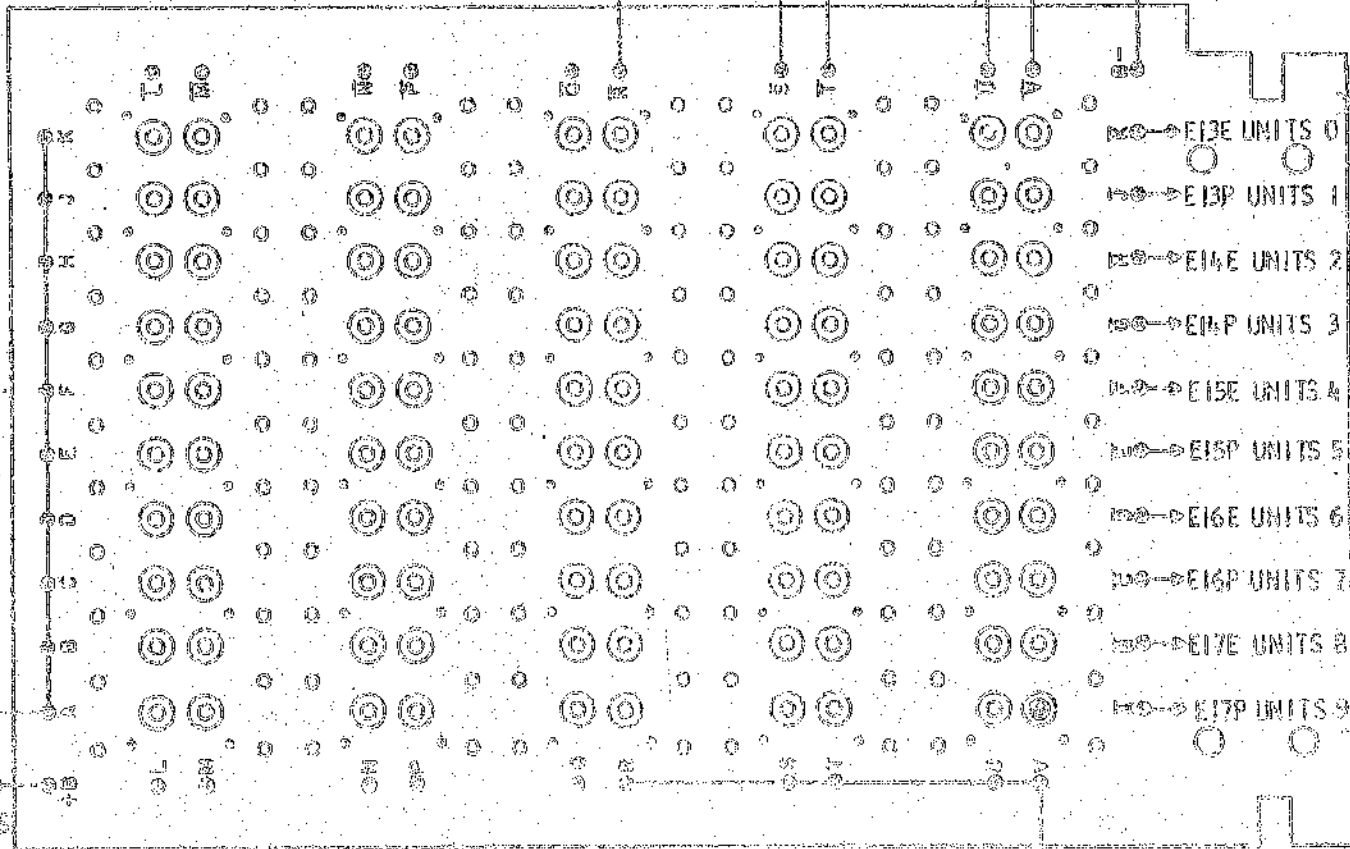


BACK

FRAME 1 PIN 55  
HUNDREDS DECODES  
42.55.11.2

UNITS DRIVE  
42.57.11.2

F8C  
F8N  
+30 BIAS



FRONT

HUNDREDS DRIVE  
42.57.11.2

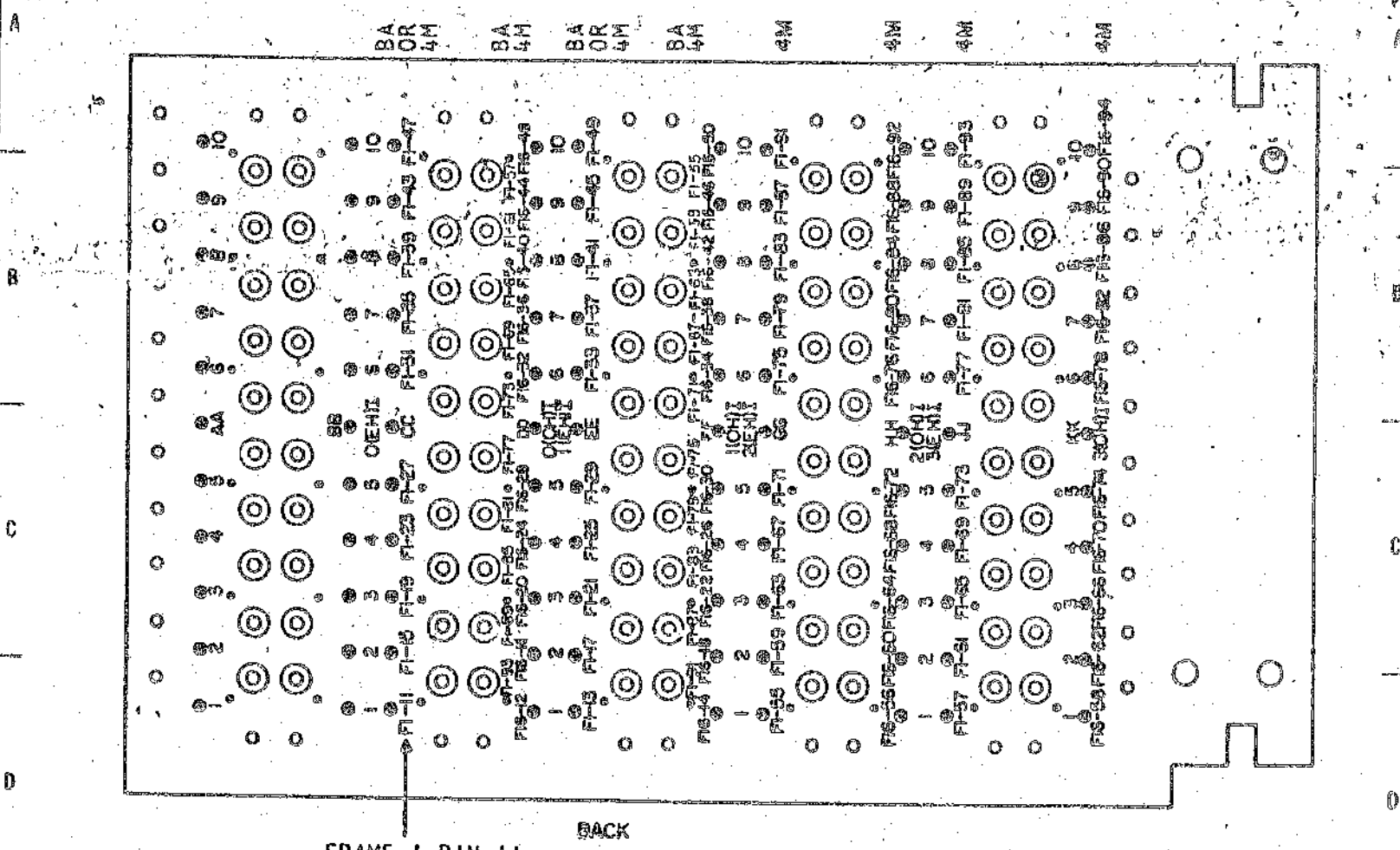
TO 48  
4 X 10 OR 8 X 10  
MATRIX SWITCH  
+30 BIAS

UNITS DECODE  
42.53.11.2

DATE	SR NO	DATE	EC NO	DATE	EC NO
11-23-60	110604				
13-10-61	110627				
	42571				

42571

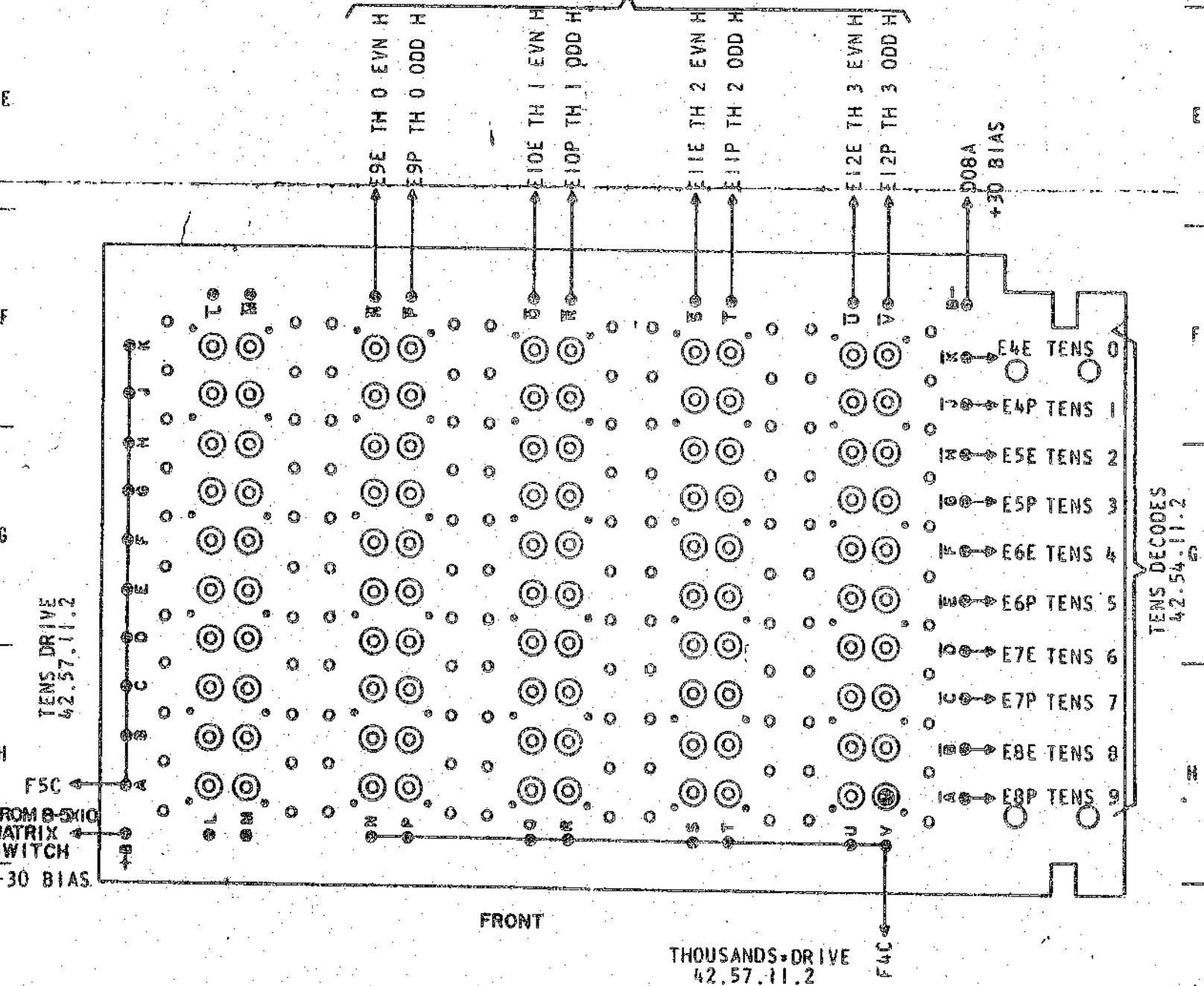
ALL WIRES GO TO SIDE D OF FRAMES 1 AND 16  
O (EH) I=ZERO THOUSAND-EVEN HUNDREDS-I TERMINAL  
I (OH) I=ONE THOUSAND-ODD HUNDREDS-I TERMINAL  
BA INDICATES WIRING FOR 1.4 AND 2K GATES  
4M INDICATES WIRING FOR 4K GATES



FRAME 1 PIN 11

BACK

THOUSANDS DECODES  
42.56.11.2



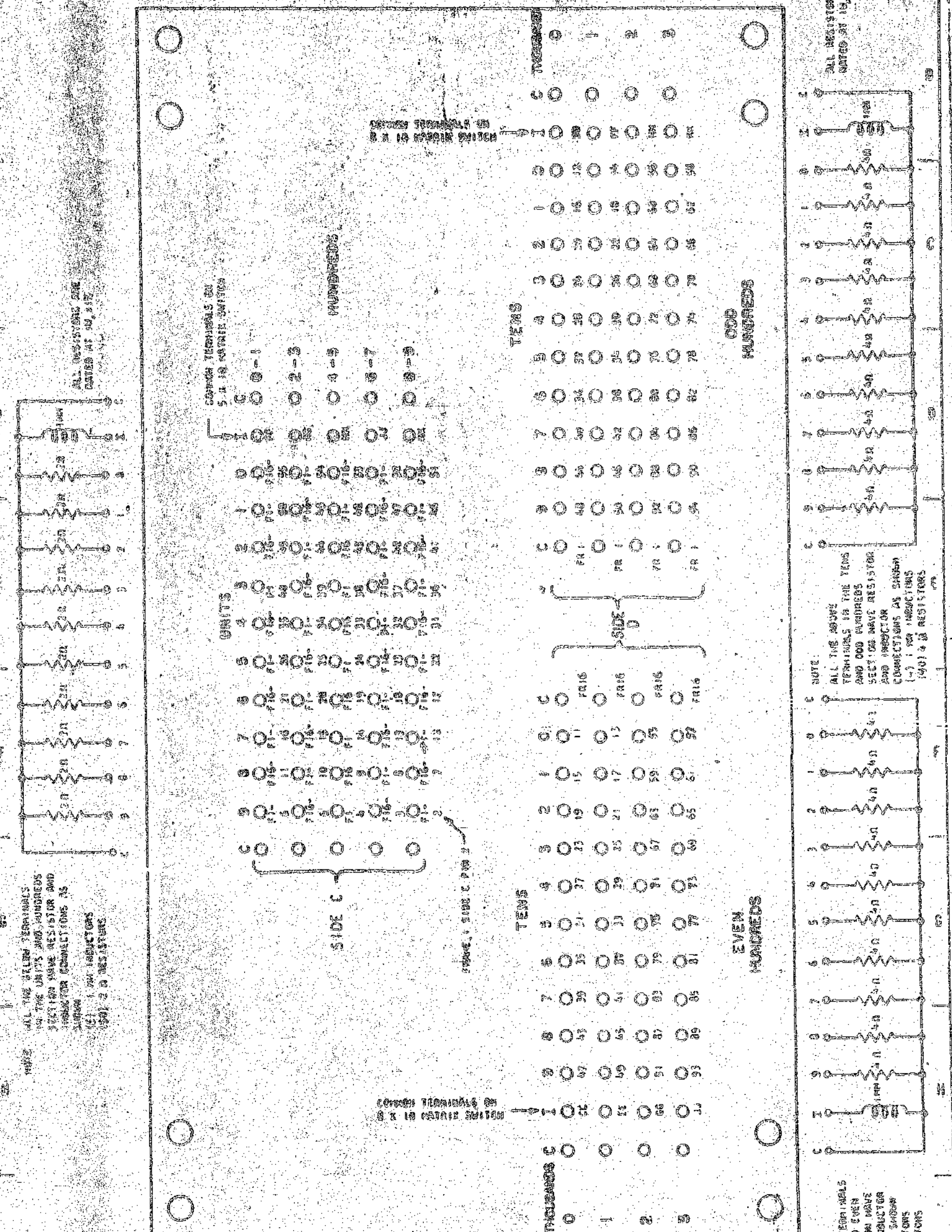
FRONT

THOUSANDS DRIVE  
42.57.11.2

TENS DECODES  
42.54.11.2

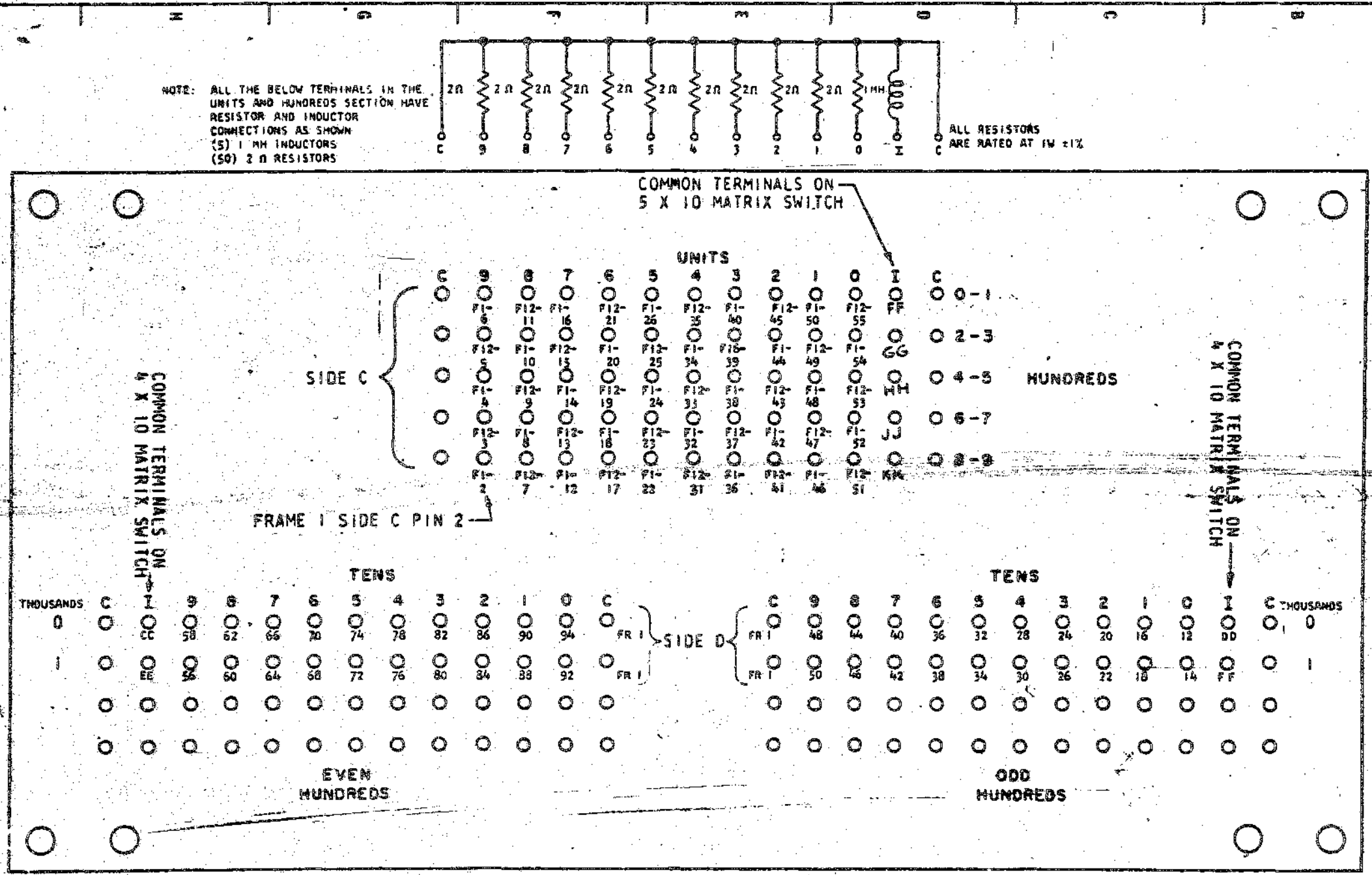
DATE	EC NO	DATE	EC NO	DATE	EC NO
A 11-29-60	110404				
B 3-30-61	110432F				
C	112912				

57111



A129





NOTE: ALL THE BELOW TERMINALS IN THE UNITS AND HUNDREDS SECTION HAVE RESISTOR AND INDUCTOR CONNECTIONS AS SHOWN  
(5) 1 MH INDUCTORS  
(50) 2 Ω RESISTORS

ALL RESISTORS ARE RATED AT 1W ±1%

NOTE: THE THOUSANDS 0.1 TERMINALS IN THE TENS AND ODD HUNDREDS SECTION HAVE RESISTOR AND INDUCTOR CONNECTIONS AS SHOWN  
(2) 1 MH INDUCTORS  
(20) 5 Ω RESISTORS

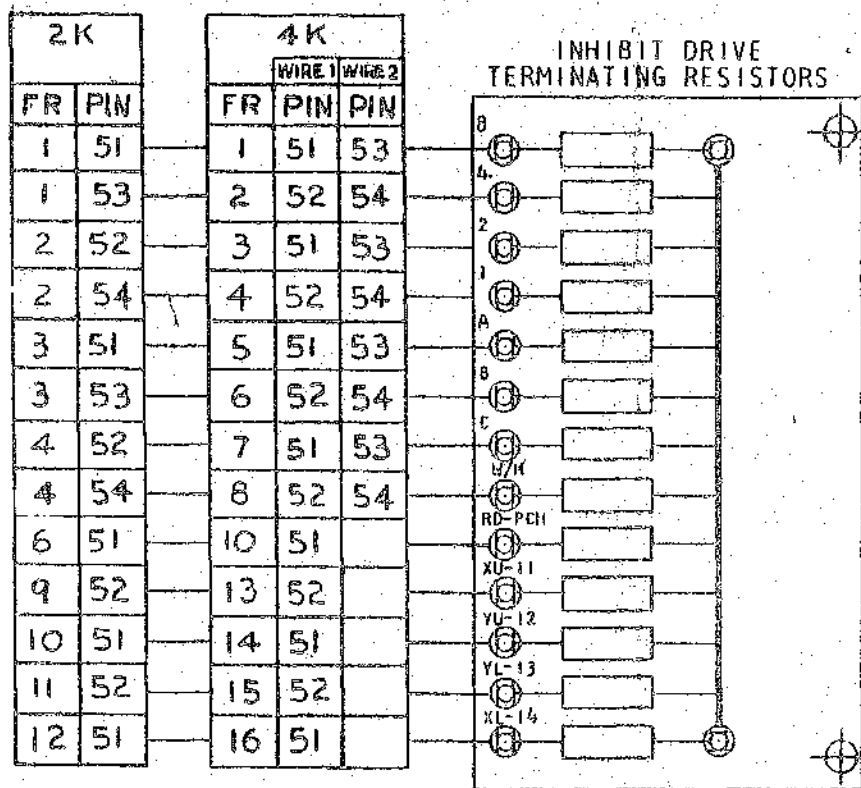
ALL RESISTORS ARE RATED AT 1W ±1%

NOTE: THE THOUSANDS 0.1 TERMINALS IN THE TENS AND EVEN HUNDREDS SECTION HAVE RESISTOR AND INDUCTOR CONNECTIONS AS SHOWN  
(2) 1 MH INDUCTORS  
(20) 5 Ω RESISTORS

DATE EC NO DATE EC NO DATE EC NO  
11-23-60 110404  
1-3-30-61 110432F  
11/29/62

722657  
M29

SIDE D



NOTE 1 THE INHIBIT WINDINGS THROUGH THE ROW-BIT CORES ARE CONNECTED BY A JUMPER ON THE ARRAY.

	FROM	TO
4K	SIDE D FR 12 PIN 54	SIDE D FR 10 PIN 52
2K	SIDE D FR 8 PIN 54	SIDE D FR 6 PIN 52

DATE	EC NO	DATE	EC NO	DATE	EC NO
A 11-23-60	110404				
B 3-30-61	110432F				
C	112912				

M129

481376  
REFERENCE DRAWING

CONNECTIONS BETWEEN ROW BIT CORES AND READ BRUSHES OIAI 42.40.51.1

DUPLICATE

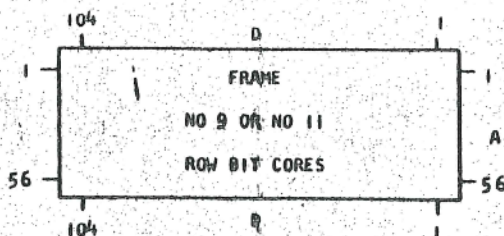
TAG DATE

B 12-5-61  
TA 37663A

C 5.2.62  
TA 1129

NO 1 BRUSH	RC CONN	EDGE CONN OIAI	CORE FRAME NO 11	NO 2 BRUSH	RC CONN	EDGE CONN OIAI	CORE FRAME NO 9	PCH CHK BRUSH	PC CONN	EDGE CONN OIAI	CORE FRAME NO 9
1	1	G01-A	A52	1	81	G06-A	A49	1	81	G11-A	A51
2	2	G01-B	A46	2	82	G06-B	A44	2	82	G11-B	A46
3	3	G01-C	A40	3	83	G06-C	A39	3	83	G11-C	A41
4	4	G01-D	A34	4	84	G06-D	A34	4	84	G11-D	A36
5	5	G01-E	A28	5	85	G06-E	A27	5	85	G11-E	A29
6	6	G01-F	A22	6	86	G06-F	A22	6	86	G11-F	A24
7	7	G01-G	A16	7	87	G06-G	A17	7	87	G11-G	A19
8	8	G01-H	A10	8	88	G06-H	A12	8	88	G11-H	A14
9	9	G01-J	A4	9	89	G06-J	A7	9	89	G11-J	A9
10	10	G01-K	A56	10	90	G06-K	A54	10	90	G11-K	A52
11	11	G01-L	A55	11	91	G06-L	A48	11	91	G11-L	A47
12	12	G01-M	A49	12	92	G06-M	A43	12	92	G11-M	A42
13	13	G01-N	A43	13	93	G06-N	A38	13	93	G11-N	A37
14	14	G01-P	A37	14	94	G06-P	A33	14	94	G11-P	A32
15	15	G01-Q	A31	15	95	G06-Q	A26	15	95	G11-Q	A25
16	16	G01-R	A25	16	96	G06-R	A21	16	96	G11-R	A20
17	17	G02-A	A19	17	97	G07-A	A16	17	97	G12-A	A15
18	18	G02-B	A13	18	98	G07-B	A11	18	98	G12-B	A10
19	19	G02-C	A7	19	99	G07-C	A6	19	99	G12-C	A5
20	20	G02-D	B5	20	100	G07-D	A53	20	100	G12-D	B39
21	21	G02-E	B8	21	101	G07-E	A50	21	101	G12-E	B40
22	22	G02-F	B11	22	102	G07-F	A45	22	102	G12-F	B41
23	23	G02-G	B14	23	103	G07-G	A40	23	103	G12-G	B42
24	24	G02-H	B17	24	104	G07-H	A35	24	104	G12-H	B43
25	25	G02-J	D15	25	105	G07-J	A28	25	105	G12-J	D39
26	26	G02-K	D12	26	106	G07-K	A23	26	106	G12-K	D40
27	27	G02-L	D9	27	107	G07-L	A18	27	107	G12-L	D41
28	28	G02-M	D6	28	108	G07-M	A13	28	108	G12-M	D42
29	29	G02-N	D3	29	109	G07-N	A8	29	109	G12-N	D43
30	30	G02-P	B20	30	110	G07-P	B11	30	110	G12-P	B44
31	31	G02-Q	B23	31	111	G07-Q	B12	31	111	G12-Q	B45
32	32	G02-R	B26	32	112	G07-R	B13	32	112	G12-R	B46
33	33	G03-A	B29	33	113	G08-A	B14	33	113	G13-A	B47
34	34	G03-B	B31	34	114	G08-B	B15	34	114	G13-B	B48
35	35	G03-C	D25	35	115	G08-C	D11	35	115	G13-C	D44
36	36	G03-D	D23	36	116	G08-D	D12	36	116	G13-D	D45
37	37	G03-E	D21	37	117	G08-E	D13	37	117	G13-E	D46
38	38	G03-F	D19	38	118	G08-F	D14	38	118	G13-F	D47
39	39	G03-G	D17	39	119	G08-G	D15	39	119	G13-G	D48
40	40	G03-H	B33	40	120	G08-H	B16	40	120	G13-H	B49
41	41	G03-J	B35	41	121	G08-J	B17	41	121	G13-J	B50
42	42	G03-K	B37	42	122	G08-K	B18	42	122	G13-K	B51
43	43	G03-L	B39	43	123	G08-L	B19	43	123	G13-L	B52
44	44	G03-M	B41	44	124	G08-M	B20	44	124	G13-M	B53
45	45	G03-N	D35	45	125	G08-N	D16	45	125	G13-N	D49
46	46	G03-P	D33	46	126	G08-P	D17	46	126	G13-P	D50
47	47	G03-Q	D31	47	127	G08-Q	D18	47	127	G13-Q	D51
48	48	G03-R	D29	48	128	G08-R	D19	48	128	G13-R	D52
49	49	G04-A	D27	49	129	G09-A	D20	49	129	G14-A	D53
50	50	G04-B	B43	50	130	G09-B	B21	50	130	G14-B	B54
51	51	G04-C	B45	51	131	G09-C	B22	51	131	G14-C	B55
52	52	G04-D	B47	52	132	G09-D	B23	52	132	G14-D	B56
53	53	G04-E	B49	53	133	G09-E	B24	53	133	G14-E	B57
54	54	G04-F	B51	54	134	G09-F	B25	54	134	G14-F	B58
55	55	G04-G	D45	55	135	G09-G	D21	55	135	G14-G	D54
56	56	G04-H	D43	56	136	G09-H	D22	56	136	G14-H	D55
57	57	G04-J	D41	57	137	G09-J	D23	57	137	G14-J	D56
58	58	G04-K	D39	58	138	G09-K	D24	58	138	G14-K	D57
59	59	G04-L	D37	59	139	G09-L	D25	59	139	G14-L	D58
60	60	G04-M	B54	60	140	G09-M	B26	60	140	G14-M	D59
61	61	G04-N	B56	61	141	G09-N	B27	61	141	G14-N	B60
62	62	G04-P	B58	62	142	G09-P	B28	62	142	G14-P	B61
63	63	G04-Q	B60	63	143	G09-Q	B29	63	143	G14-Q	B62
64	64	G04-R	B62	64	144	G09-R	B30	64	144	G14-R	B63
65	65	G05-A	D56	65	145	G10-A	D26	65	145	G15-A	D59
66	66	G05-B	D54	66	146	G10-B	D27	66	146	G15-B	D60
67	67	G05-C	D51	67	147	G10-C	D28	67	147	G15-C	D61
68	68	G05-D	D49	68	148	G10-D	D29	68	148	G15-D	D62
69	69	G05-E	D47	69	149	G10-E	D30	69	149	G15-E	D63
70	70	G05-F	B64	70	150	G10-F	B31	70	150	G15-F	B64
71	71	G05-G	B66	71	151	G10-G	B32	71	151	G15-G	B65
72	72	G05-H	B68	72	152	G10-H	B33	72	152	G15-H	B66
73	73	G05-J	B70	73	153	G10-J	B34	73	153	G15-J	B67
74	74	G05-K	B72	74	154	G10-K	B35	74	154	G15-K	B68
75	75	G05-L	D66	75	155	G10-L	D31	75	155	G15-L	D64
76	76	G05-M	D64	76	156	G10-M	D32	76	156	G15-M	D65
77	77	G05-N	D62	77	157	G10-N	D33	77	157	G15-N	D66
78	78	G05-P	D60	78	158	G10-P	D34	78	158	G15-P	D67
79	79	G05-Q	D58	79	159	G10-Q	D35	79	159	G15-Q	D68
80	80	G05-R	B74	80	160	G10-R	B36	80	160	G15-R	B69

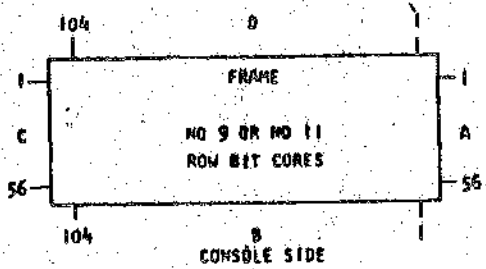
NOTE:  
ALL BRUSH SIGNAL LINES HAVE A 180 OHM SERIES RESISTOR BEFORE OIAI  
EDGE CONNECTOR TERMINATION ON THE PADDLE CARD CONNECTOR



DATE	EC NO	DATE	EC NO	DATE	EC NO
5-4-60	108950				
A 1-26-61	110423				
B 3-30-61	110432F				
C 9-5-61	112257				
	112912				

481376  
M29

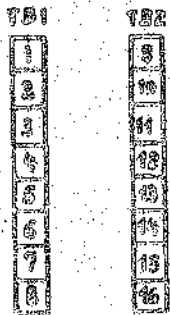
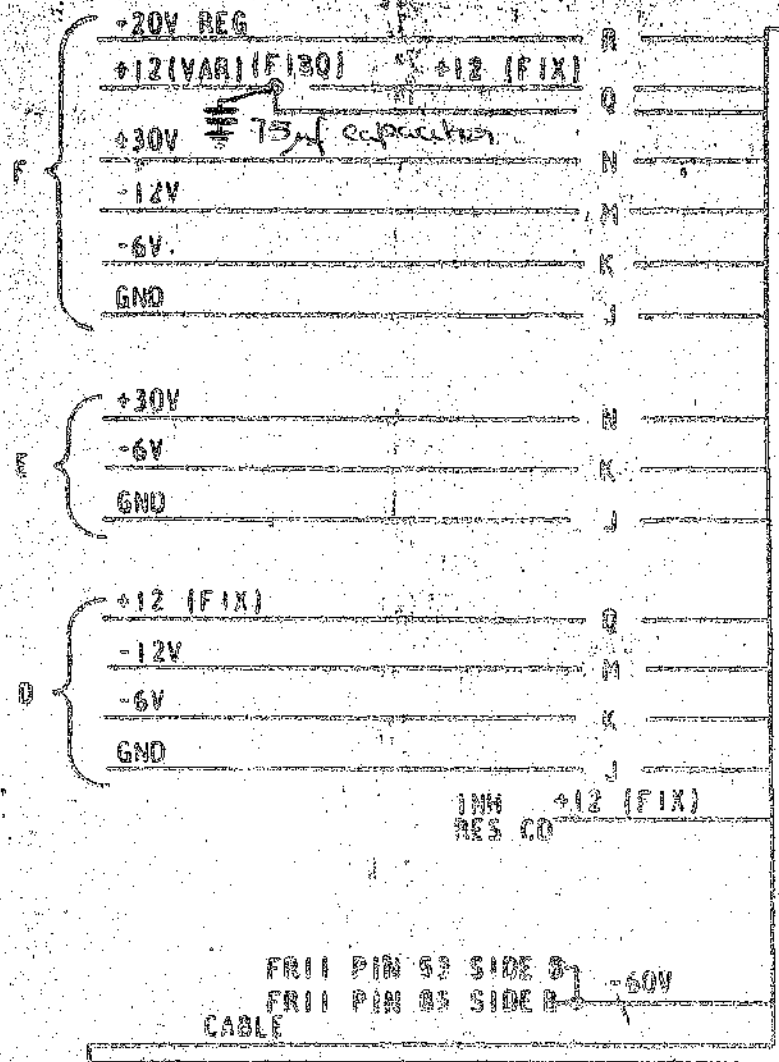
	PRINT MAGNETS	EDGE CONN D185	EDGE CONN D1A1	CORE FRAME NO 11	PRINT MAGNETS	EDGE CONN D185	EDGE CONN D1A1	EDGE FRAME NO 11	
A	1	A14A	G17A	A50	67	A20G	G23G	D50	A
	2	A15A	G18A	A44	68	A21G	G24G	D48	
	3	A16A	G19A	A38	69	A22G	G25G	D46	
	4	A17A	G20A	A32	70	A18Q	G21Q	D65	
	5	A18A	G21A	A26	71	A14M	G17M	D67	
	6	A19A	G22A	A20	72	A15H	G18H	D69	
	7	A20A	G23A	A14	73	A16H	G19H	D71	
	8	A21A	G24A	A8	74	A17H	G20H	D73	
	9	A22A	G25A	A2	75	A18H	G21H	D65	
	10	A14R	G17R	B3	76	A19H	G22H	D63	
	11	A14B	G17B	A53	77	A20H	G23H	D61	
B	12	A15B	G18B	A47	78	A21H	G24H	D59	B
	13	A16B	G19B	A41	79	A22H	G25H	D57	
	14	A17B	G20B	A35	80	A18R	G21R	D75	
	15	A18B	G21B	A29	81	A14K	G17K	D76	
	16	A19B	G22B	A23	82	A15K	G18K	D77	
	17	A20B	G23B	A17	83	A16K	G19K	D78	
	18	A21B	G24B	A11	84	A17K	G20K	D79	
	19	A22B	G25B	A5	85	A18K	G21K	D71	
	20	A15R	G18R	B6	86	A19K	G22K	D70	
	21	A15C	G17C	B9	87	A20K	G23K	D69	
	22	A15C	G18C	B12	88	A21K	G24K	D68	
	23	A16C	G19C	B15	89	A22K	G25K	D67	
	24	A17C	G20C	B18	90	A19Q	G22Q	D80	
	25	A18C	G21C	D13	91	A14L	G17L	D81	
C	26	A19C	G22C	D10	92	A15L	G18L	D82	C
	27	A20C	G23C	D7	93	A16L	G19L	D83	
	28	A21C	G24C	D4	94	A17L	G20L	D84	
	29	A22C	G25C	A1	95	A18L	G21L	D76	
	30	A16Q	G19Q	B21	96	A19L	G22L	D75	
	31	A14D	G17D	B24	97	A20L	G23L	D74	
	32	A15D	G18D	B27	98	A21L	G24L	D73	
	33	A16D	G19D	B30	99	A22L	G25L	D72	
	34	A17D	G20D	B32	100	A19R	G22R	D2	
	35	A18D	G21D	D24	101	A14K	G17K	A51	
	36	A19D	G22D	D22	102	A15K	G18K	A45	
	37	A20D	G23D	D20	103	A16K	G19K	A39	
	38	A21D	G24D	D18	104	A17K	G20K	A33	
	39	A22D	G25D	D16	105	A18K	G21K	A27	
D	40	A16R	G19R	B34	106	A19K	G22K	A21	D
	41	A14E	G17E	B36	107	A20K	G23K	A15	
	42	A15E	G18E	B38	108	A21K	G24K	A9	
	43	A16E	G19E	B40	109	A22K	G25K	A3	
	44	A17E	G20E	B42	110	A20Q	G23Q	B4	
	45	A18E	G21E	D34	111	A14N	G17N	A54	
	46	A19E	G22E	D32	112	A15N	G18N	A48	
	47	A20E	G23E	D30	113	A16N	G19N	A42	
	48	A21E	G24E	D28	114	A17N	G20N	A36	
	49	A22E	G25E	D26	115	A18N	G21N	A30	
	50	A17Q	G20Q	B44	116	A19N	G22N	A24	
	51	A14F	G17F	B46	117	A20N	G23N	A18	
	52	A15F	G18F	B48	118	A21N	G24N	A12	
E	53	A16F	G19F	B50	119	A22N	G25N	A6	E
	54	A17F	G20F	B52	120	A20R	G23R	B7	
	55	A18F	G21F	B44	121	A14P	G17P	B10	
	56	A19F	G22F	D42	122	A15P	G18P	B13	
	57	A20F	G23F	D40	123	A16P	G19P	B16	
	58	A21F	G24F	D38	124	A17P	G20P	B19	
	59	A22F	G25F	D36	125	A18P	G21P	B14	
	60	A17R	G20R	B55	126	A19P	G22P	D11	
	61	A14G	G17G	B57	127	A20P	G23P	D5	
	62	A15G	G18G	B59	128	A21P	G24P	D5	
	63	A16G	G19G	B61	129	A22P	G25P	D2	
	64	A17G	G20G	B63	130	A21Q	G24Q	B22	
	65	A18G	G21G	B55	131	A14Q	G17Q	B25	
F	66	A19G	G22G	D53	132	A15Q	G18Q	B28	F



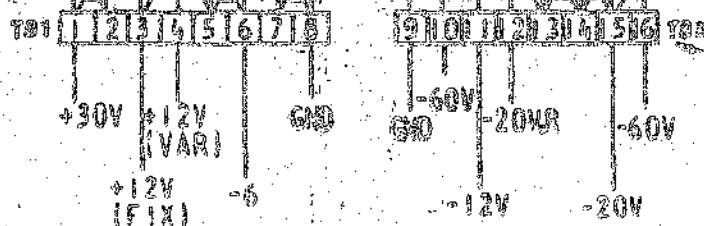
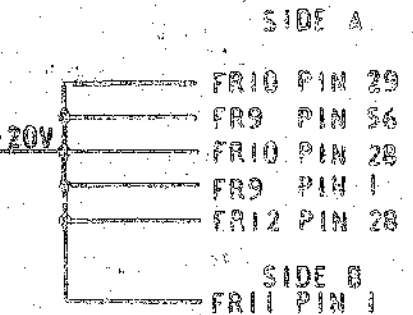
481377  
M129

DATE	EC NO	DATE	EC NO	DATE	EC NO
5-4-60	108950	11-22-60	110279	3-30-61	110432F
	112912				

VOLTAGE DISTRIBUTION-BASIC MEMORY

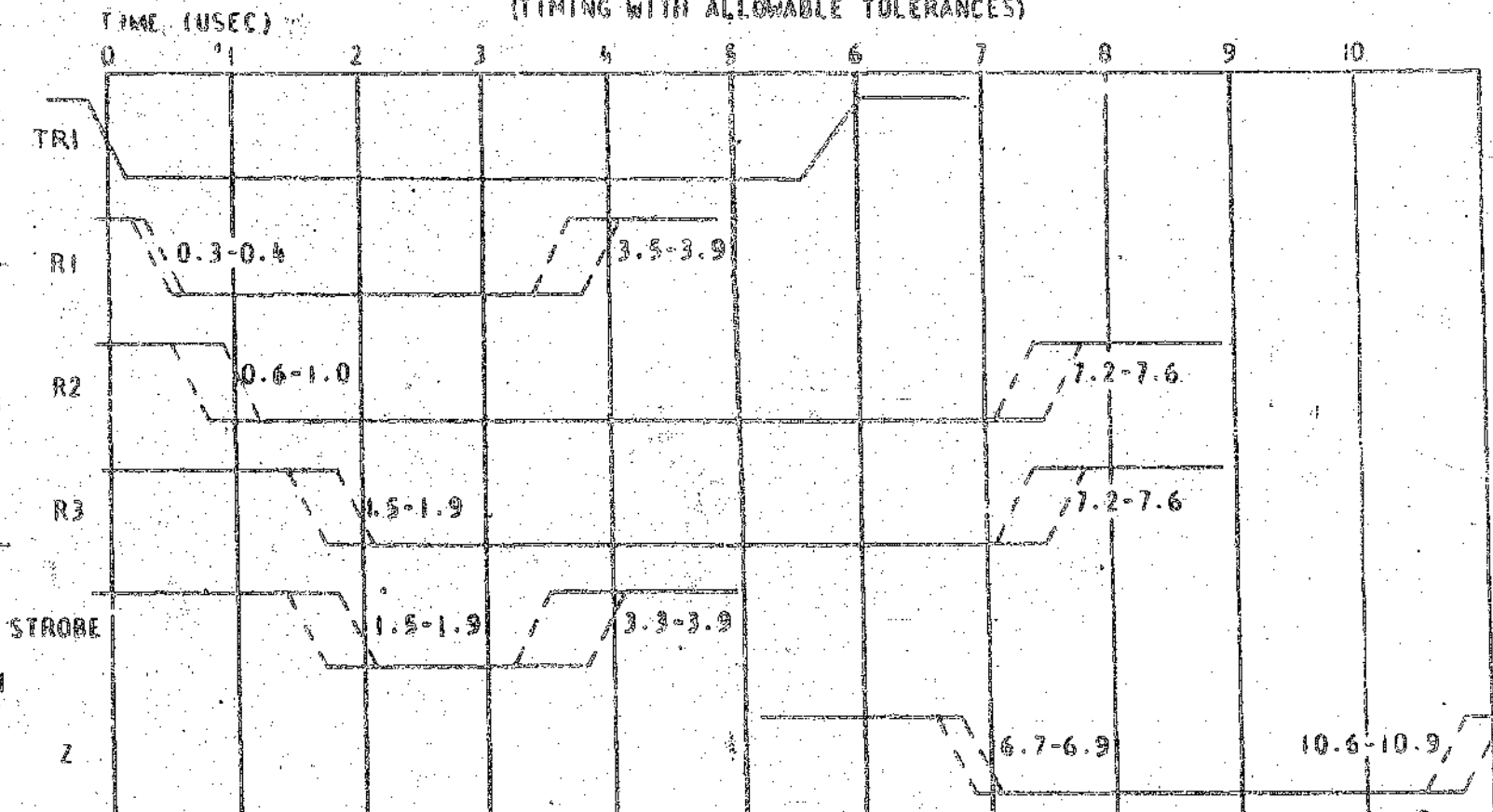


LOCATION OF TERMINALS AT  
ARRAY & CHASSIS ASM.  
BY 4062888 ON 4064984  
4.6 OR 2K 4065322



LOCATION OF TERMINALS AT  
ARRAY & CHASSIS ASM.  
BY 4062973 & 4063000  
4.6 OR 2K 4062972

1401 CORE STORAGE CLOCK PULSES  
(TIMING WITH ALLOWABLE TOLERANCES)



NOTE 1 DELAYS ARE MEASURED AT THE 50% LEVELS

75µf capacitor fitted as per B/M 486816  
of 01A1 F13Q → F13J. 22/1/66

DATE	EC NO	DATE	EC NO	DATE	EC NO
11-23-60	110404				
1-26-61	110423				
3-30-61	110432F				

APP. 77

724526  
REFERENCE DRAWING

CONNECTIONS BETWEEN ROW BIT CORES  
AND 1404 READ BRUSHES

01A1

4240.54.1

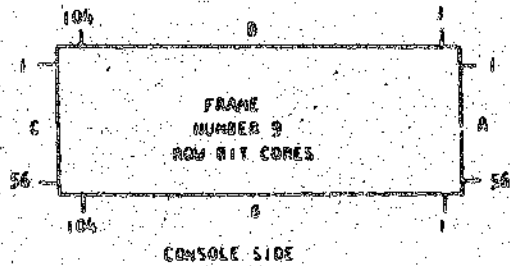
TAG DATE

7.12.62  
TA 1061

STORAGE LOCATION	COMPARE CONNECTOR	EDGE CONNECTOR 01A1	CORE FRAME PLANE NUMBER 9
0334	01	626-A	070
0335	02	626-B	069
0336	03	626-C	070
0337	04	626-D	071
0338	05	626-E	072
0339	07	626-F	073
0340	08	626-G	071
0341	10	626-H	072
0342	11	626-J	073
0343	12	626-K	074
0344	13	626-L	075
0345	14	626-M	074
0346	15	626-N	075
0347	16	626-O	076
0348	17	626-Q	077
0349	18	626-R	078
0350	20	616-A	076
0351	21	616-B	077
0352	22	616-C	078
0353	23	616-D	079
0354	24	616-E	080
0355	25	616-F	079
0356	26	616-G	080
0357	27	616-H	081
0358	28	616-J	082
0359	29	616-K	083
0360	30	616-L	081
0361	31	616-M	082
0362	32	616-N	083
0363	33	616-P	084
	NOTE 1	616-Q	081
	NOTE 1	616-R	080

NOTES

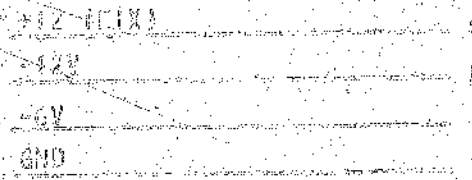
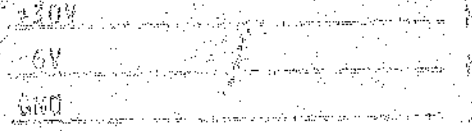
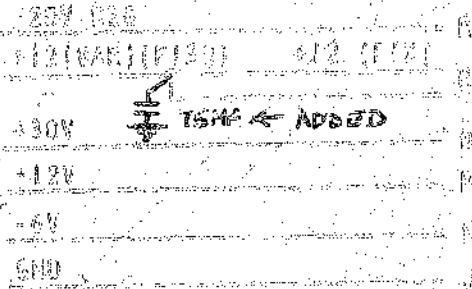
1. A 1.5 AMP FUSE IS MOUNTED ON THE PADDLE CARD TO FUSE THE 20 VOLTS SUPPLIED TO THE ROW BITS FOR THE 1404 COMPARE FEATURE.
2. ALL BRUSH SIGNAL LINES HAVE A 220 OHM SERIES RESISTOR BEFORE 01A1 EDGE CONNECTOR TERMINATION ON THE PADDLE CARD CONNECTOR.



DATE	EC NO	DATE	EC NO	DATE	EC NO
10-8-62	116300				

724526

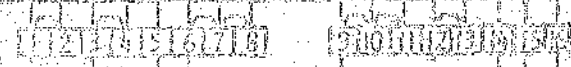
VOLTAGE DISTRIBUTION (AK) MEMORY



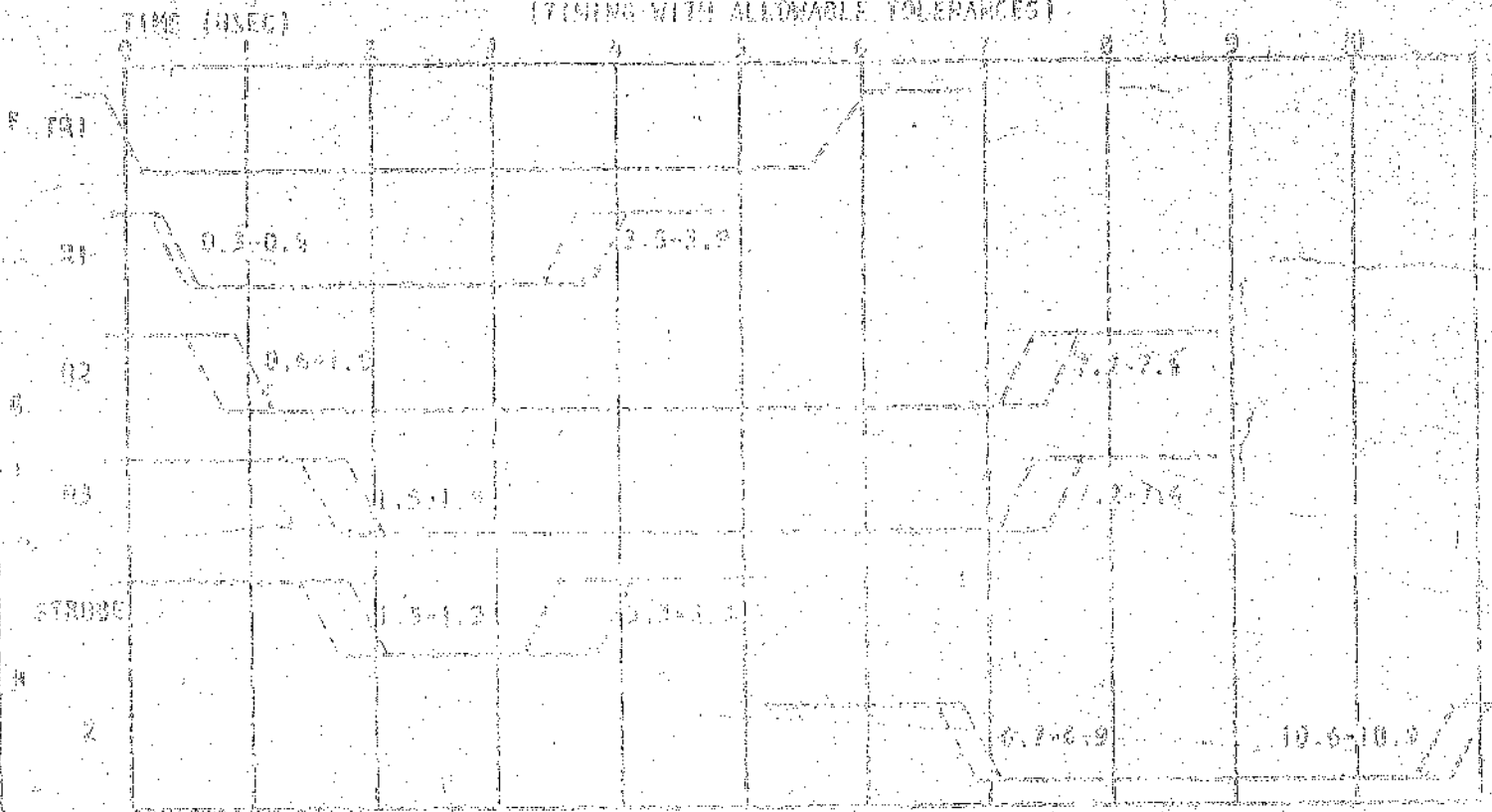
100K ← 12 (FIX)  
RES CO

PL ENDM  
THERMAL  
SWITCH

CABLE



1A06 CORE STORAGE CLOCK PULSES  
(TIMING WITH ALLOWABLE TOLERANCES)



NOTE 1. DELAYS ARE MEASURED AT THE 50% LEVELS

COMMENTS

THIS INFORMATION APPLIES TO EITHER THE AK OR BK STORAGE CHASSIS IN THE 1A06

DATE	EC NO	DATE	EC NO	DATE	EC NO
10-27-60	10954				
1-26-61	10958				

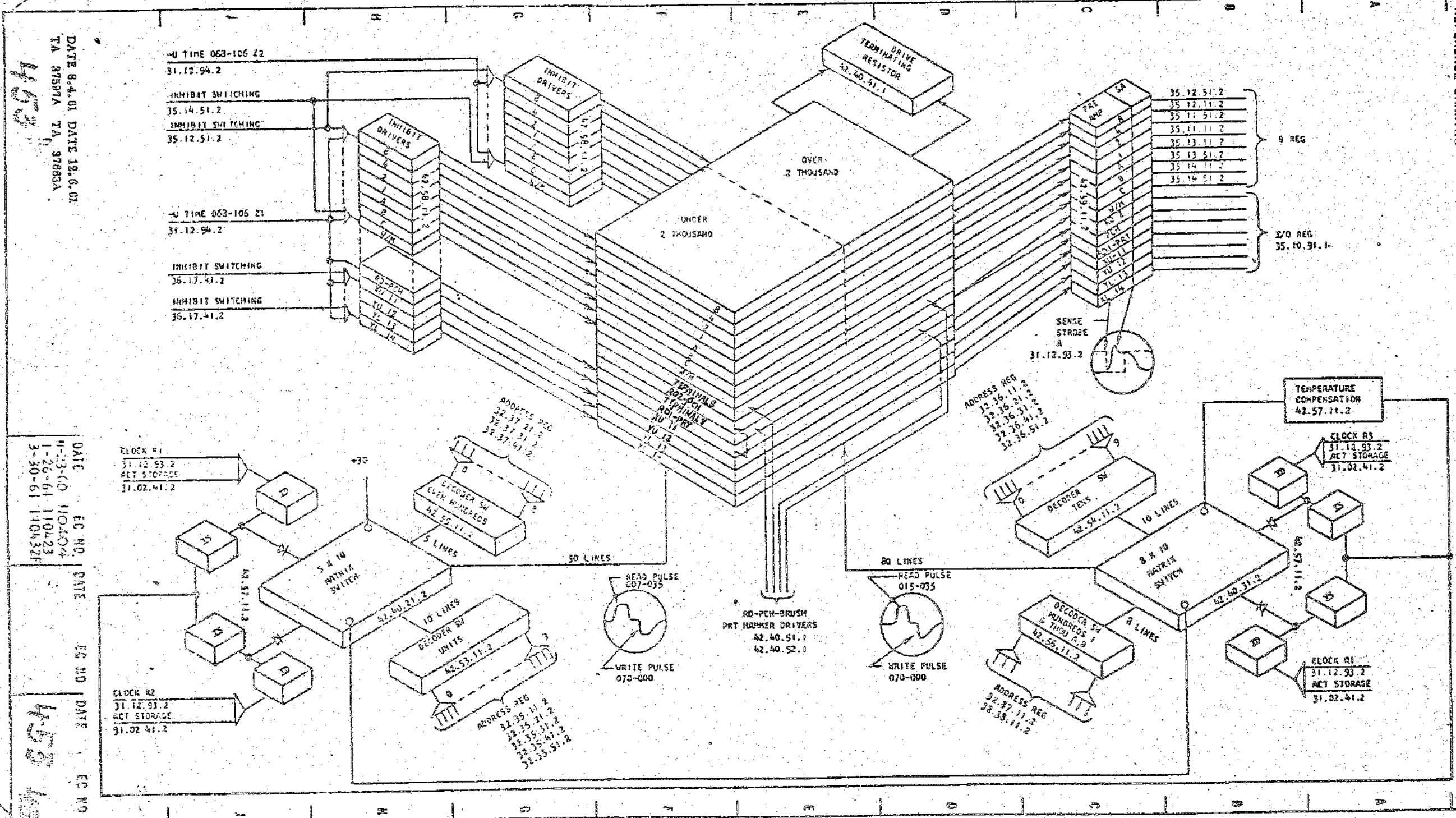
276154

722805  
REFERENCE DRAWING

4K STORAGE BLOCK DIAGRAM

DIAI

42.41.11.2



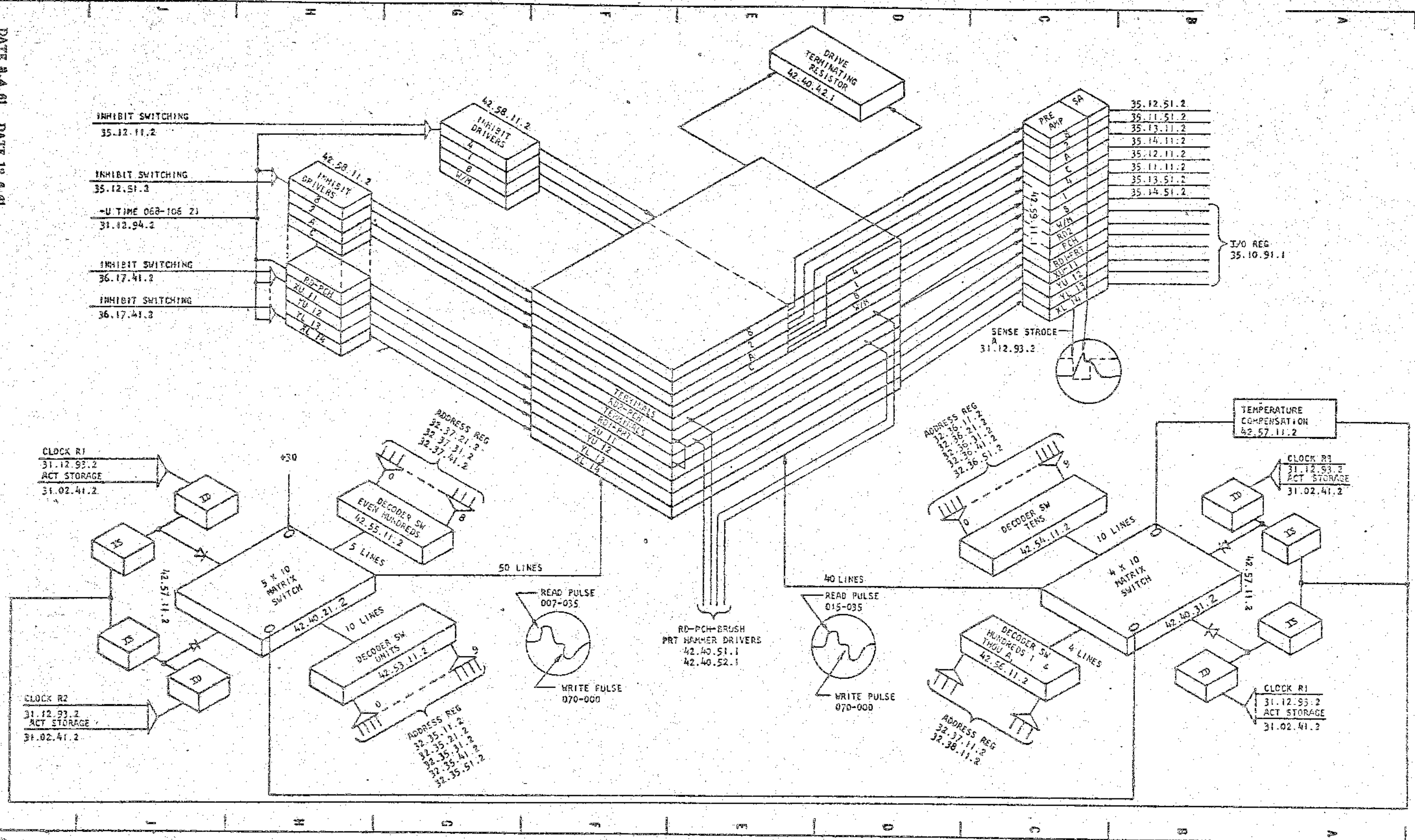
DATE 8.4.01 DATE 18.0.01  
TA 97597A TA 97883A

DATE EC NO DATE EC NO DATE EC NO  
1-23-60 110404  
1-26-61 110423  
3-30-61 110432F

722805

42.41.11.2





DATE 8.4.61 DATE 12.9.61  
 TA 87597A TA 37663A

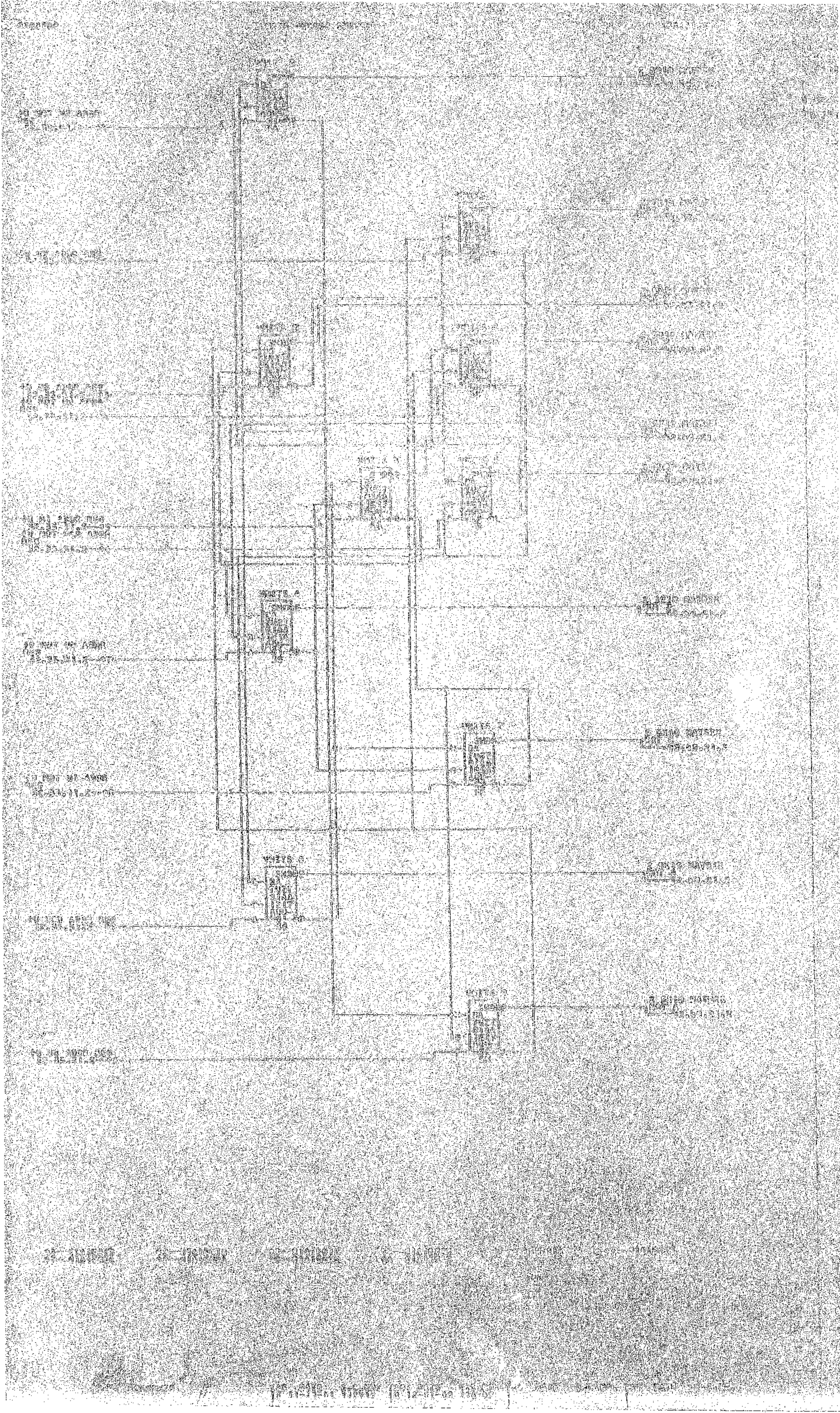
454

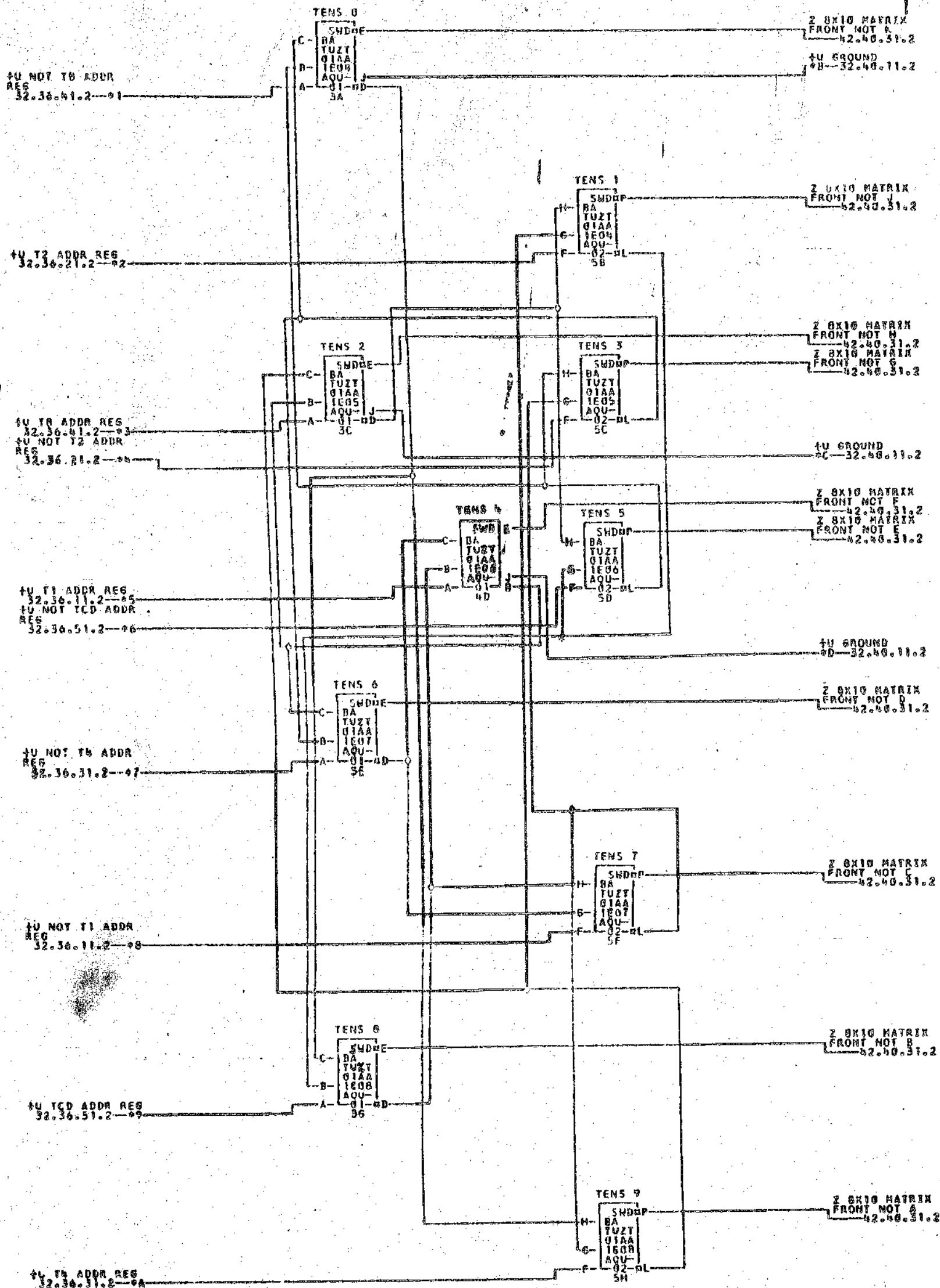
DATE 11-23-60 EC NO 110404  
 1-26-61 110423  
 3-30-61 110422F

CLOCK R1  
 31.12.93.2  
 ACT STORAGE  
 31.02.41.2

CLOCK R2  
 31.12.93.2  
 ACT STORAGE  
 31.02.41.2

722659  
 87663A





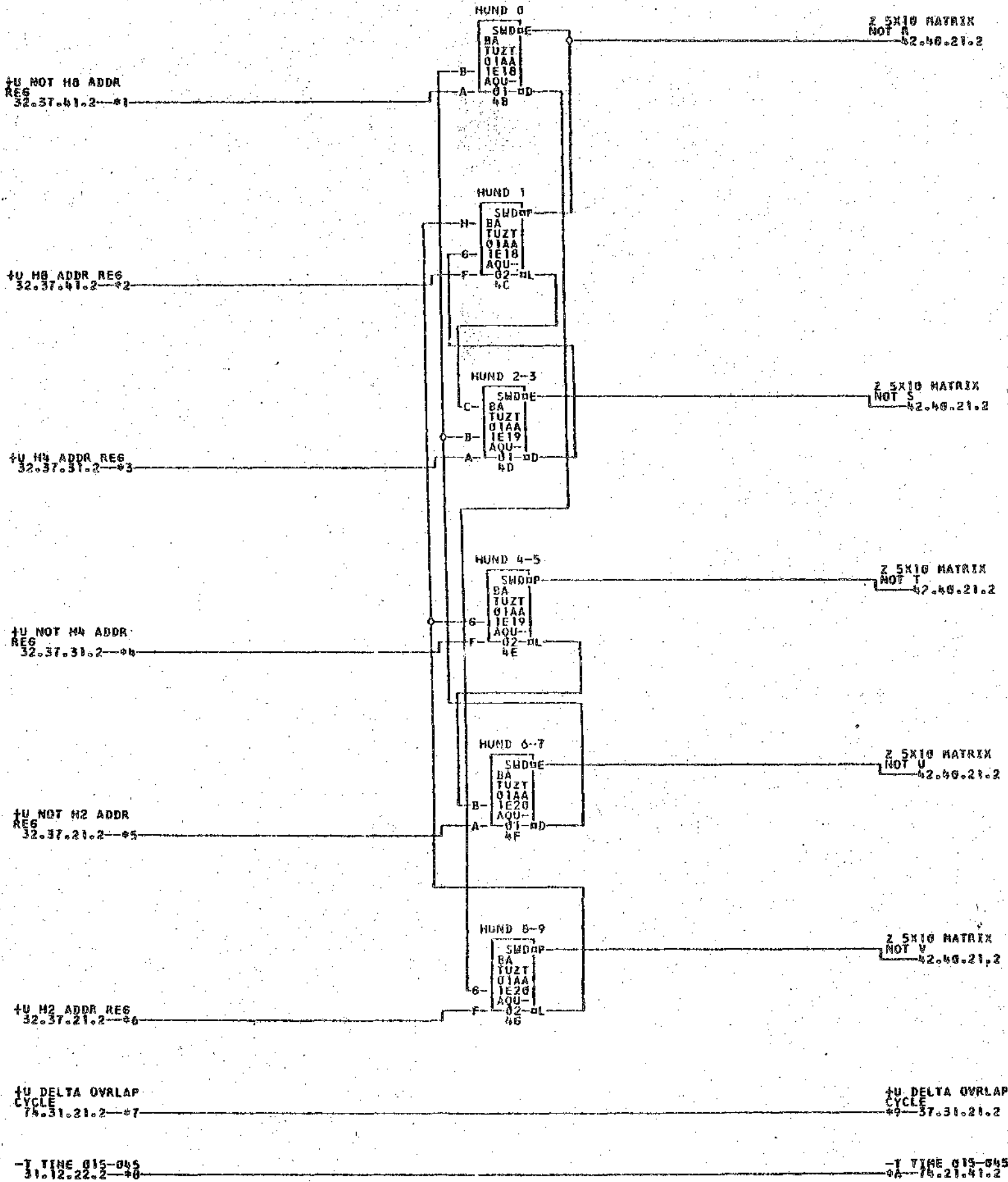
- \*1--01A1E02K
- \*2--01A1E01G
- \*3--01A1E01K
- \*4--01A1E02G
- \*5--01A1E01F
- \*6--01A1E02L
- \*7--01A1E02N
- \*8--01A1E02F
- \*9--01A1E01L
- \*A--01A1E01H
- \*B--01A1E01J
- \*C--01A1E03J
- \*D--01A1E02J
- \*E--01A1E02H
- \*F--01A1E02J

COMMENTS	TAG DATE	E.C.NO.	TAG DATE	E.C.NO.	TAG DATE	E.C.NO.	TAG DATE	E.C.NO.
	A 11-13-61	112912	B 12-07-62	112749				

723781

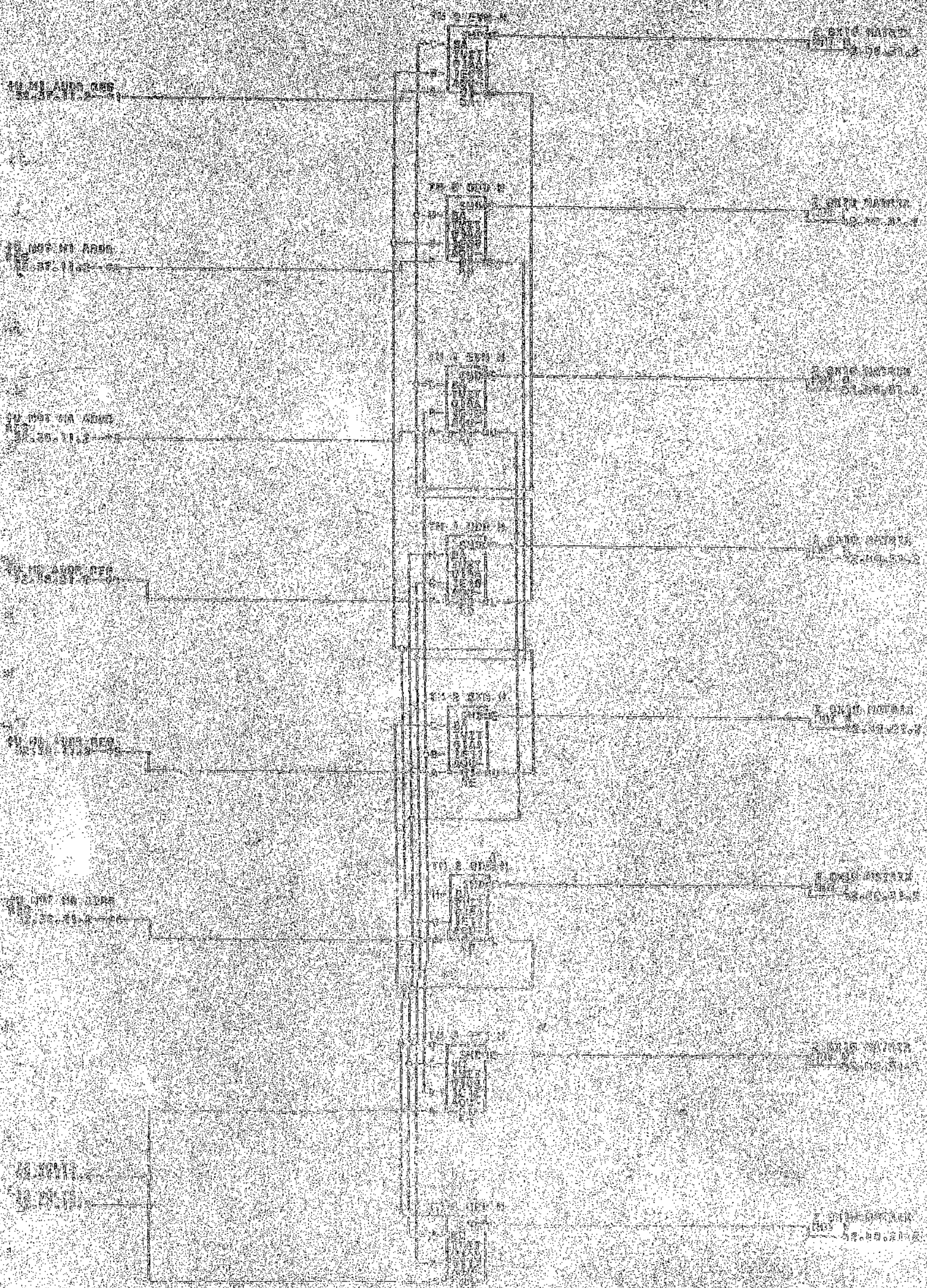
C 10.5.62  
TA 1282B

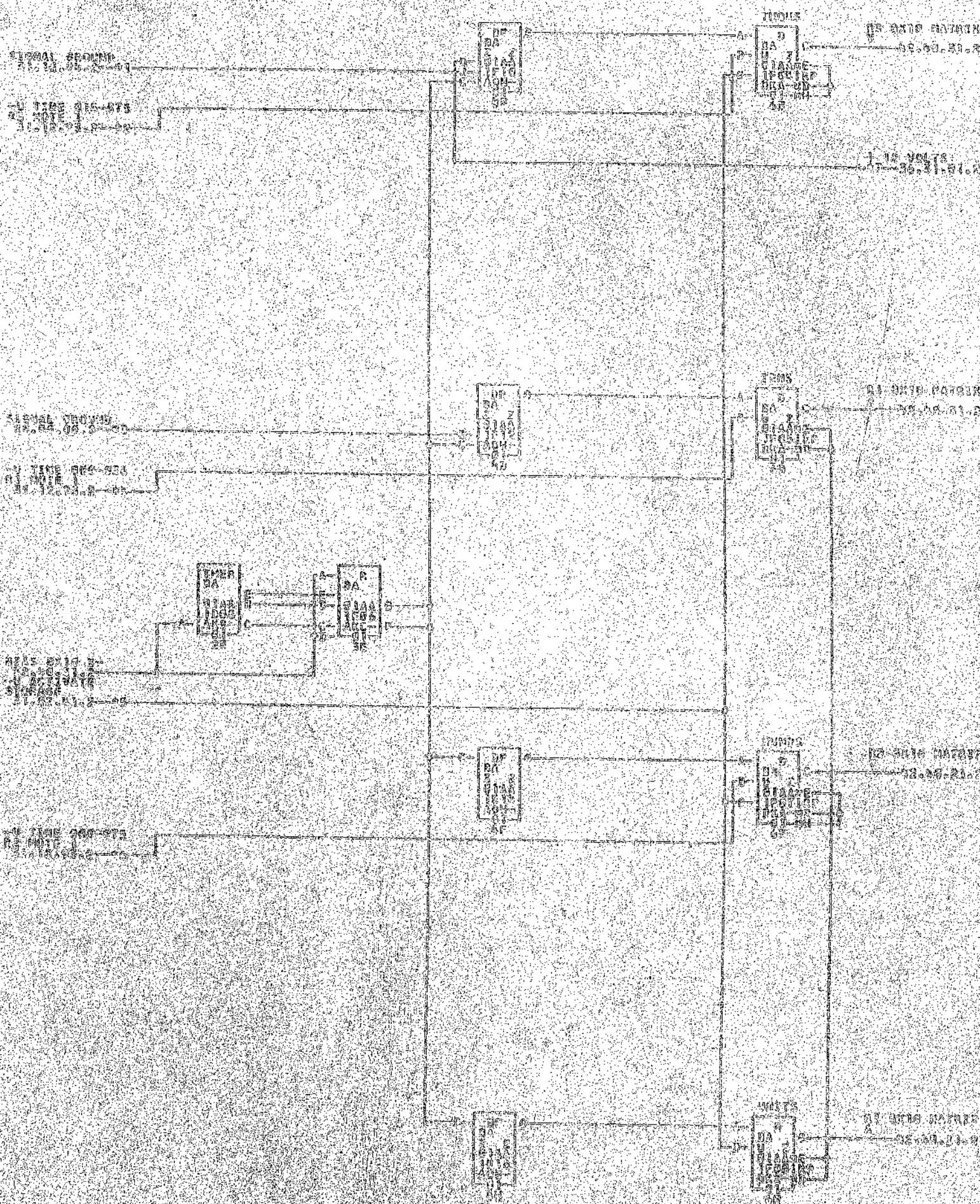
D 12.3.63  
TA 1776



- \*1—01A1E02Q  
\*7—01A1E03F
- \*2—01A1E01Q  
\*8—01A1F020
- \*3—01A1E01P  
\*9—01A1D02Q
- \*4—01A1E02P  
01A2A07R
- \*5—01A1E02N  
\*A—01A1E03Q
- \*6—01A1E01M

6723782





11-1111000  
 12-1111000  
 13-1111000  
 14-1111000  
 15-1111000  
 16-1111000  
 17-1111000  
 18-1111000  
 19-1111000  
 20-1111000

21-1111000  
 22-1111000  
 23-1111000  
 24-1111000  
 25-1111000  
 26-1111000  
 27-1111000  
 28-1111000  
 29-1111000  
 30-1111000

21 INHERIT  
 21.01.1991  
 21.01.1991  
 21.01.1991

22 INHERIT  
 22.01.1991  
 22.01.1991  
 22.01.1991

23 INHERIT  
 23.01.1991  
 23.01.1991  
 23.01.1991

24 INHERIT  
 24.01.1991  
 24.01.1991  
 24.01.1991

25 INHERIT  
 25.01.1991  
 25.01.1991  
 25.01.1991

26 INHERIT  
 26.01.1991  
 26.01.1991  
 26.01.1991

27 INHERIT  
 27.01.1991  
 27.01.1991  
 27.01.1991

28 INHERIT  
 28.01.1991  
 28.01.1991  
 28.01.1991

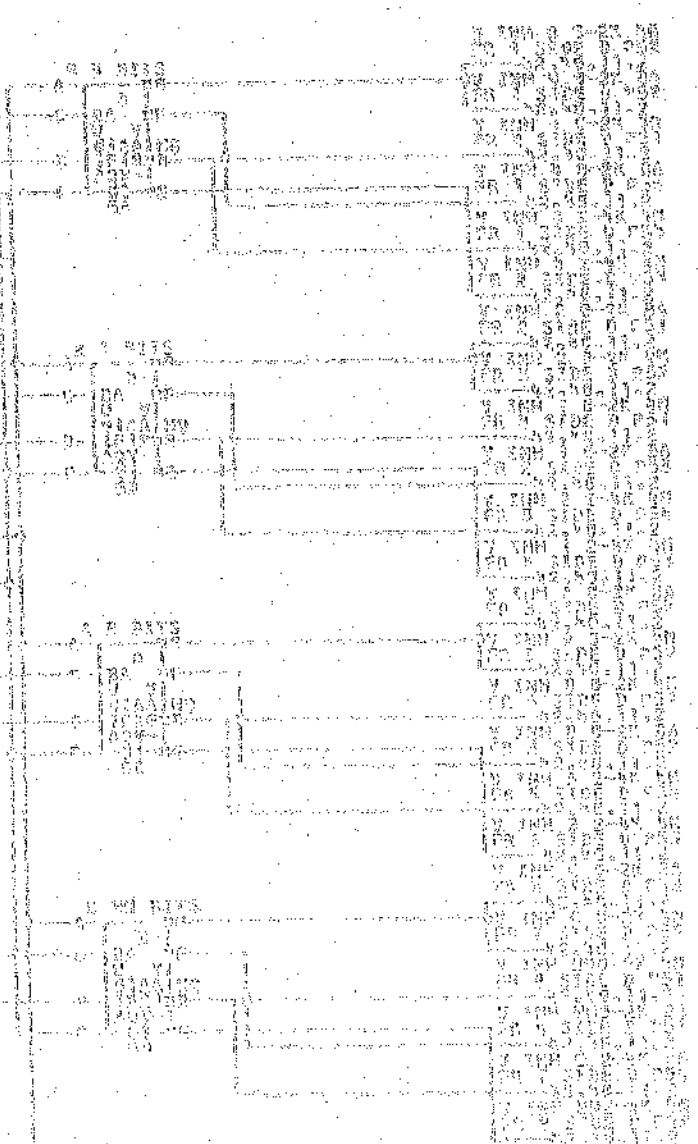
29 INHERIT  
 29.01.1991  
 29.01.1991  
 29.01.1991

30 INHERIT  
 30.01.1991  
 30.01.1991  
 30.01.1991

31 INHERIT  
 31.01.1991  
 31.01.1991  
 31.01.1991

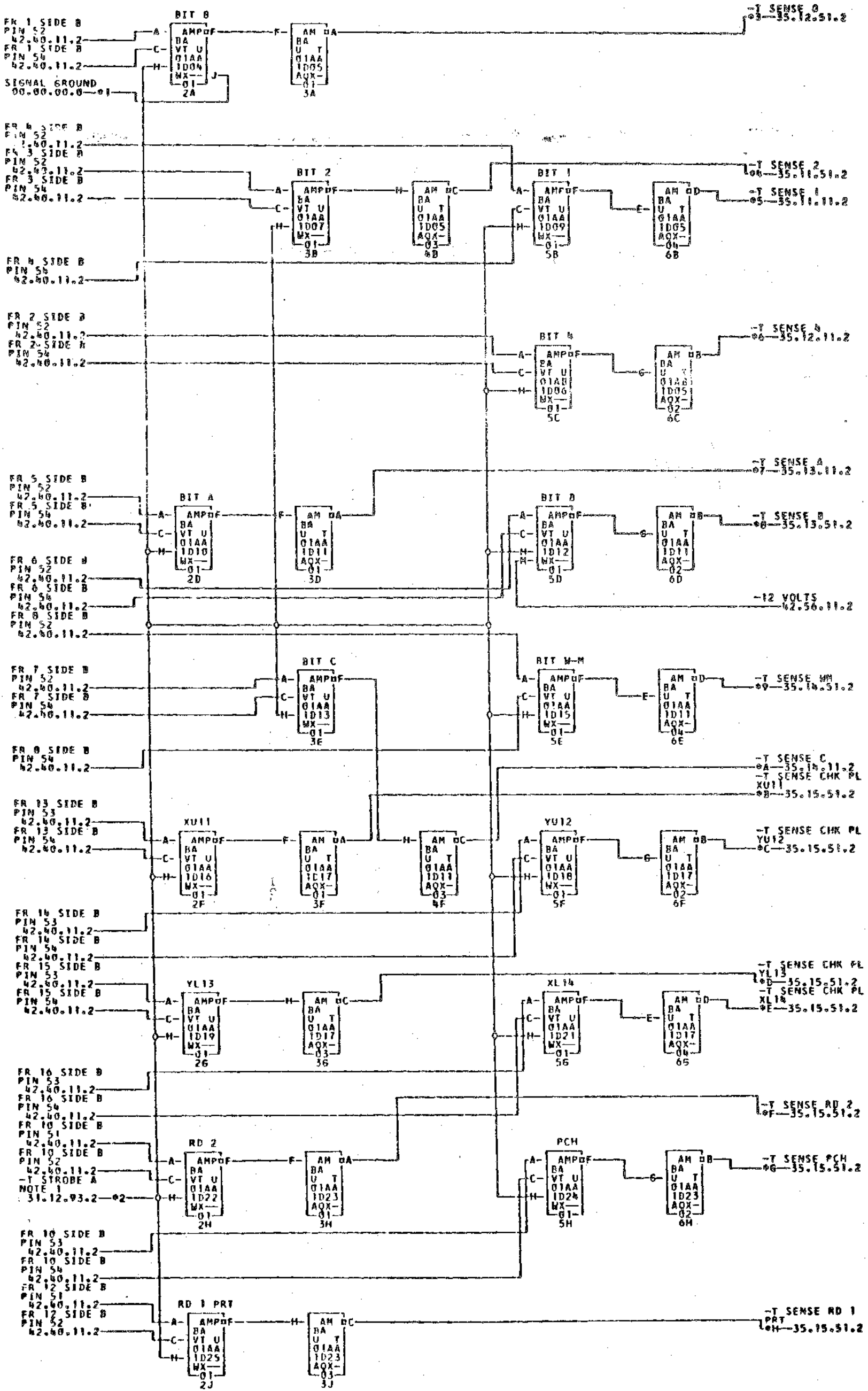
32 INHERIT  
 32.01.1991  
 32.01.1991  
 32.01.1991

33 INHERIT  
 33.01.1991  
 33.01.1991  
 33.01.1991



F23

34 INHERIT  
 34.01.1991  
 34.01.1991  
 34.01.1991



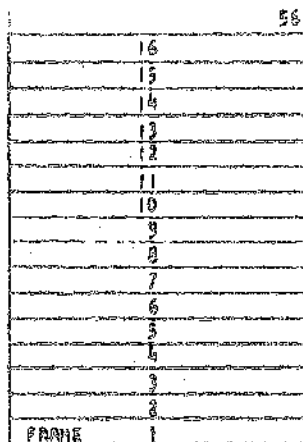
- \*1-01A1D02J
- \*2-01A1F02D
- \*3-01A1D01A
- \*4-01A3A24A
- \*5-01A1D01C
- \*6-01A3A24C
- \*7-01A1D01D
- \*8-01A3A24D
- \*9-01A1D01E
- \*10-01A3A24E
- \*11-01A1D01F
- \*12-01A3A24F
- \*13-01A1D01G
- \*14-01A3A24G
- \*15-01A1D01H
- \*16-01A3A24H
- \*17-01A1D01I
- \*18-01A3A24I
- \*19-01A1D01J
- \*20-01A3A24J
- \*21-01A1D01K
- \*22-01A3A24K
- \*23-01A1D01L
- \*24-01A3A24L

723786



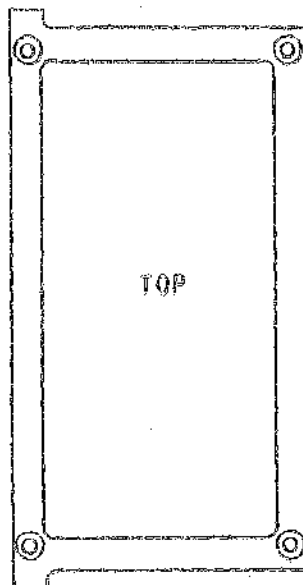
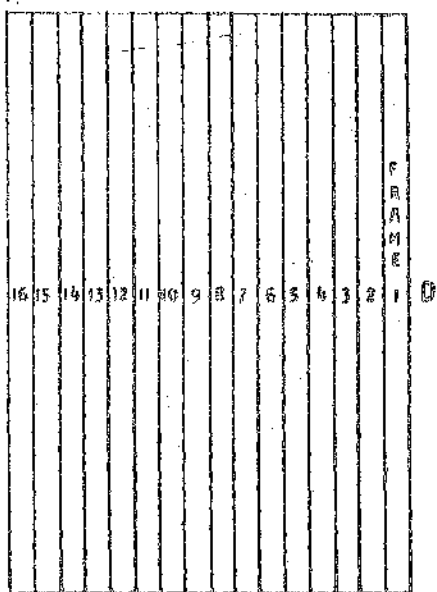
605436

STORAGE CORE FRAME

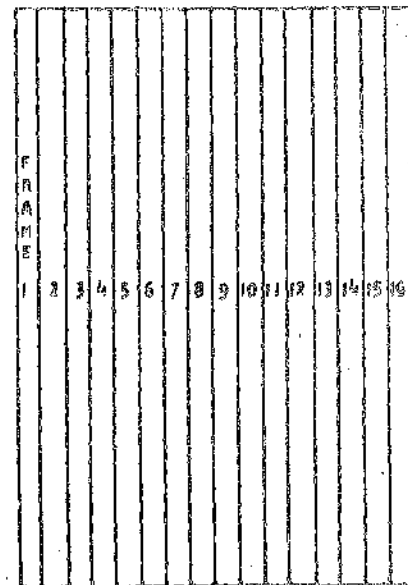


A

8 X 10 MATRIX SWITCH  
(BACK SIDE)

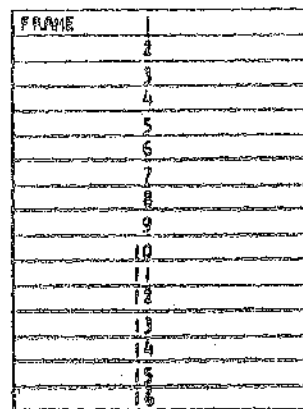


C



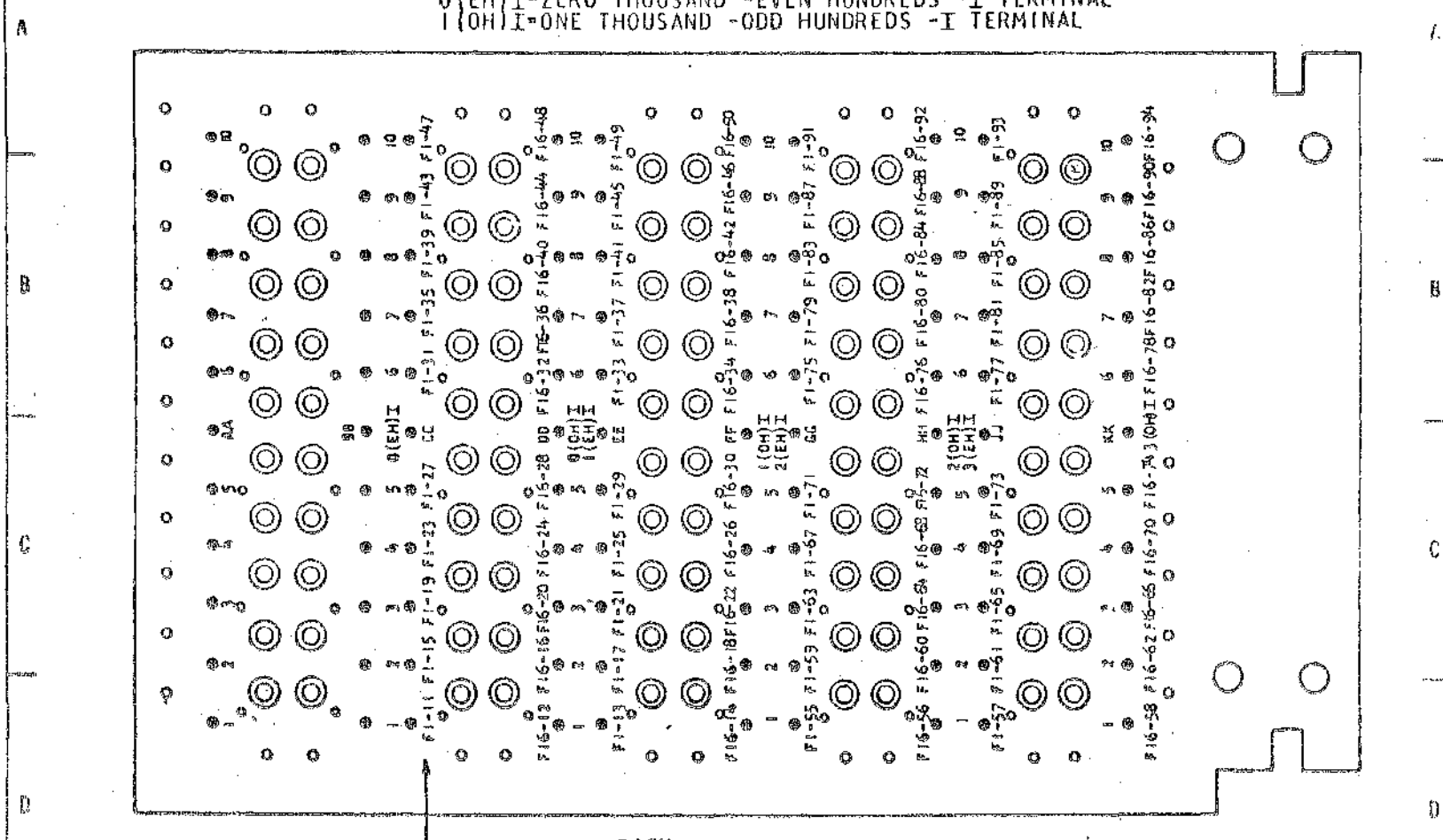
10 X 10 MATRIX SWITCH  
(BACK SIDE)

10A



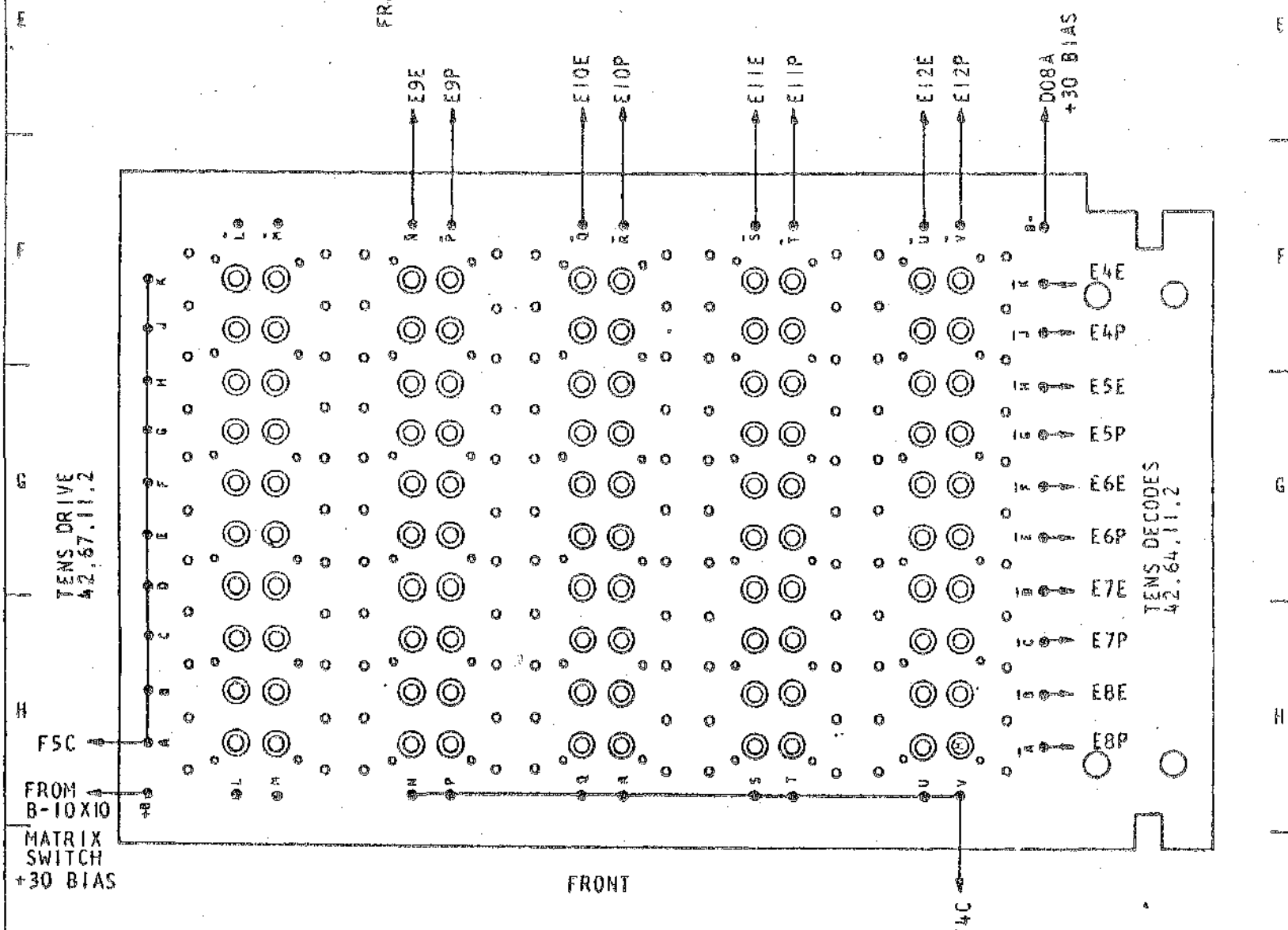
56

ALL WIRES GO TO SIDE D OF FRAMES 1 AND 16  
0(EH)I=ZERO THOUSAND -EVEN HUNDREDS -I TERMINAL  
1(OH)I=ONE THOUSAND -ODD HUNDREDS -I TERMINAL



BACK

THOUSAND AND HUNDREDS I  
DECODES 42.66.11.2

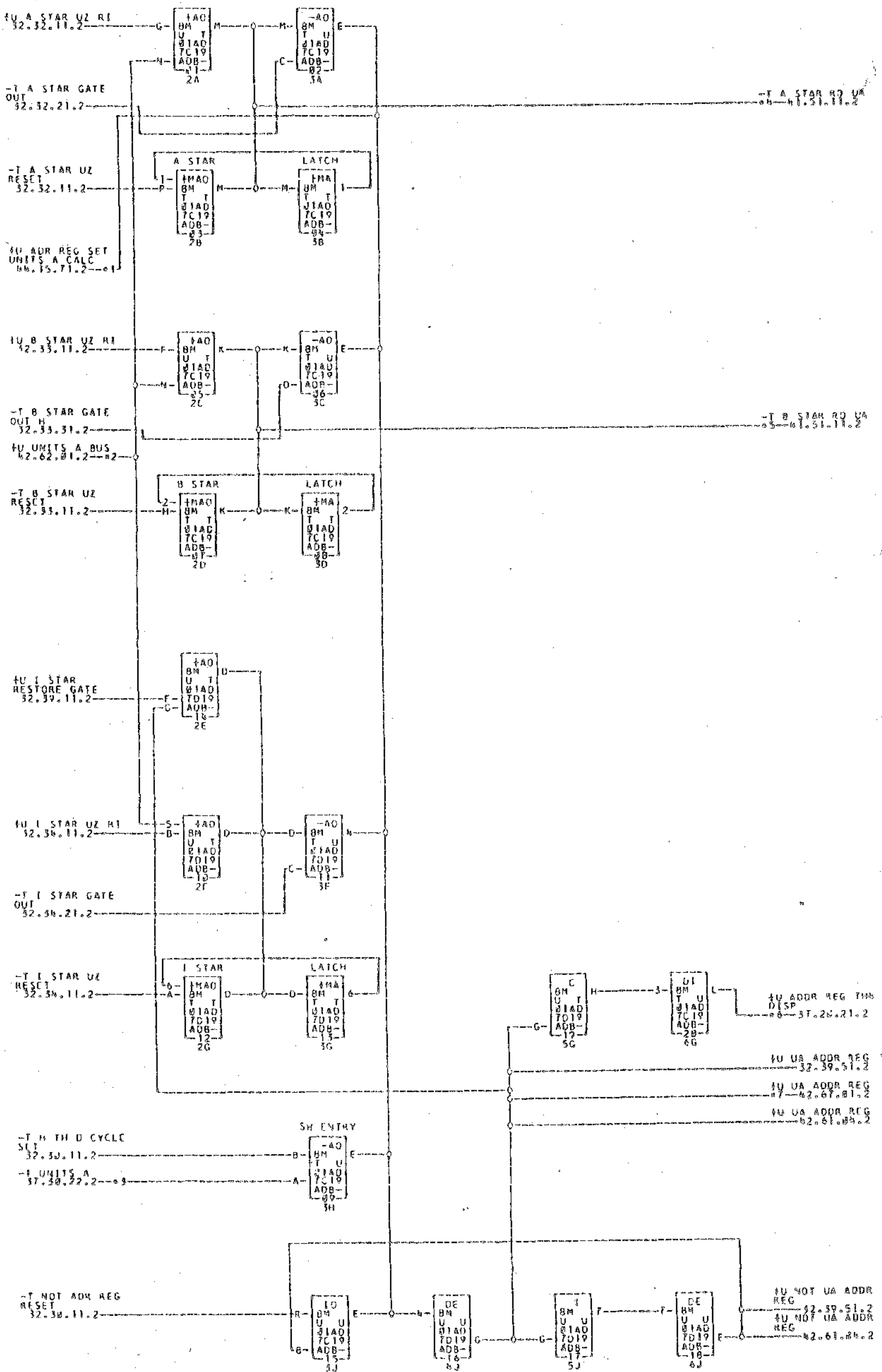


FRONT

THOU - HI DRIVE  
42.67.11.2

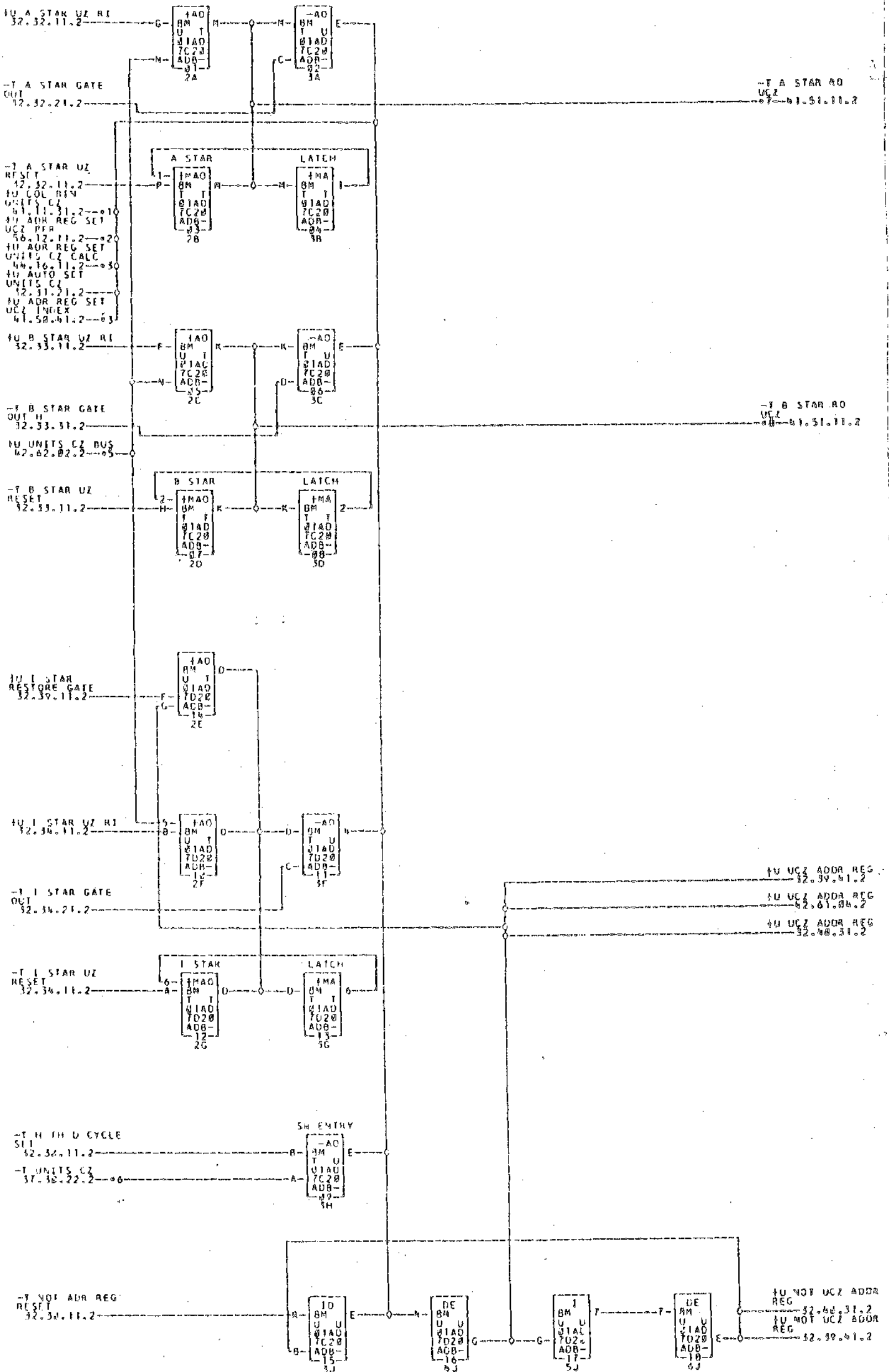
DATE	EC NO	DATE	EC NO	DATE	EC NO
1-26-61	109556				
3-31-61	109566				

805430



- ① - U1A7E25A
- ② - U1A7F26P
- ③ - U1A7E23D
- ④ - U1A7E23G
- ⑤ - U1A7E23K
- ⑥ - U1A7A25R
- ⑦ - U1A7E25R
- ⑧ - U1A7E26L
- ⑨ - U1A7E26R
- ⑩ - U1A7E26I
- ⑪ - U1A8026G
- ⑫ - U1A8C24B
- ⑬ - U1A2A02L
- ⑭ - U1A8C24A
- ⑮ - U2A7E02B
- ⑯ - U1A7F23L

722766

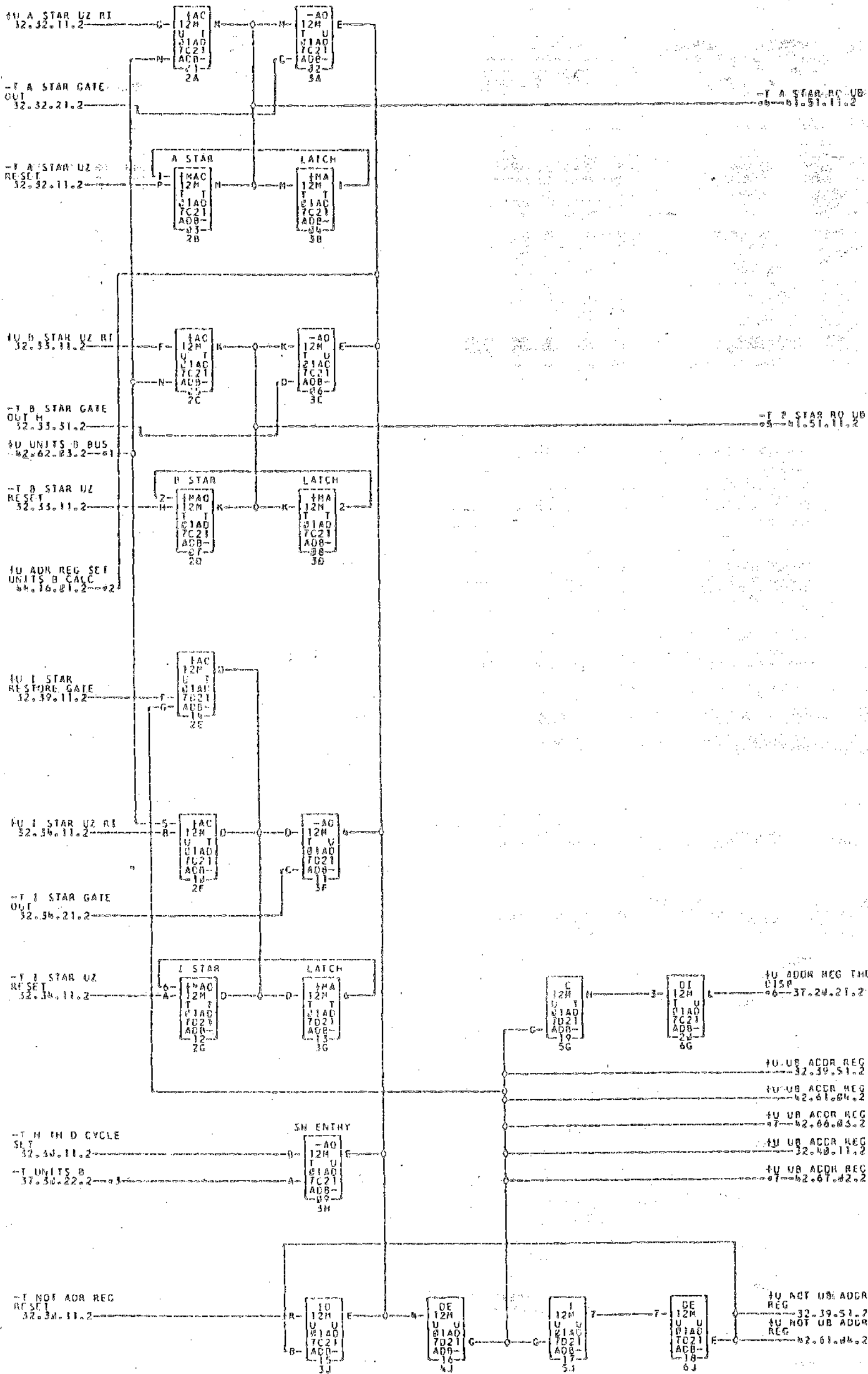


- 01--01A7A23B      02--01A7A23A      03--01A7E238      05--01A7F268      06--01A7E23E      07--01A7E23H
- 04--01A7A26M      08--01A7F23C      09--02A9F42D      10--02B6E02C      11--01A7F23L      12--01A8B26L

COMMENTS

TAG DATE	F.C.NO.	TAG DATE	F.C.NO.	TAG DATE	F.C.NO.	TAG DATE	F.C.NO.
A 11-10-60	100511B	B 12-01-60	110413C	C 12-15-60	112416	D 12-26-60	113418
E 05-08-61	110431B						

722767



- 1- J1A7F260      2- J1A7F23C      3- J1A7E23F      4- J1A7E23J      5- J1A7E23H      6- J1A7B26H
- 7- J1A7F23E      8- J1A7E23E      9- J1A7B26F      10- J1A7E23J      11- J1A7E23H      12- J1A7E23F
- 13- J1A7B26G      14- J1A7E23H      15- J1A7E23H      16- J1A7E23H      17- J1A7E23H      18- J1A7E23H

COMMENTS

TAG DATE	E.C.NO.	TAG DATE	E.C.NO.	TAG DATE	E.C.NO.	TAG DATE	E.C.NO.
A 11-10-60	109511B	B 12-01-60	110413C	C 12-15-60	110416	D 12-28-60	110418
E 02-22-61	110430	F 03-06-61	110431B	G 03-22-61	110437F		

722768

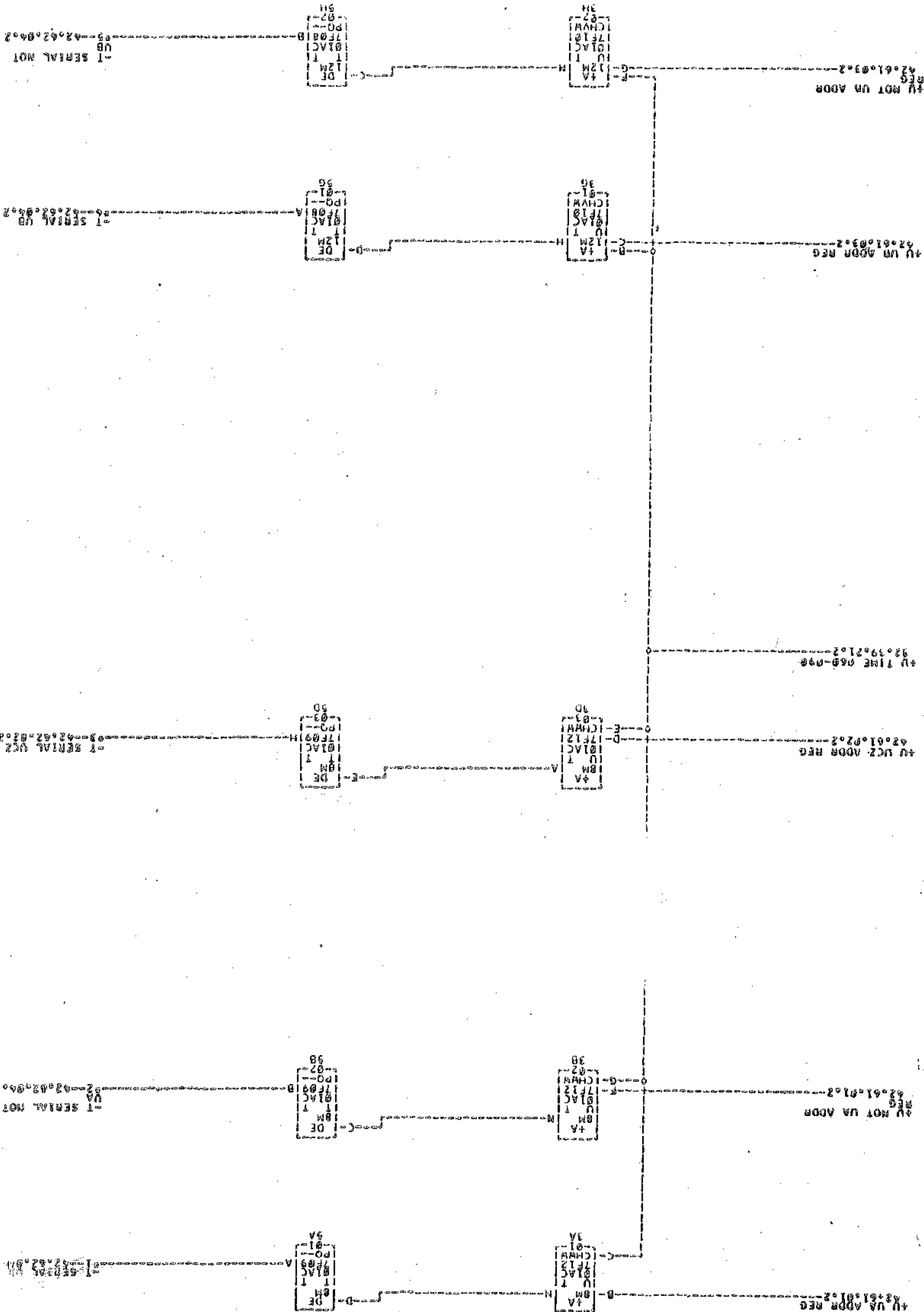
691771

TAG DATE E.C.NO. TAG DATE E.C.NO. TAG DATE E.C.NO. TAG DATE E.C.NO. TAG DATE E.C.NO.

A 11-18-68 1895118 B 12-15-68 118418 C 12-20-68 118418

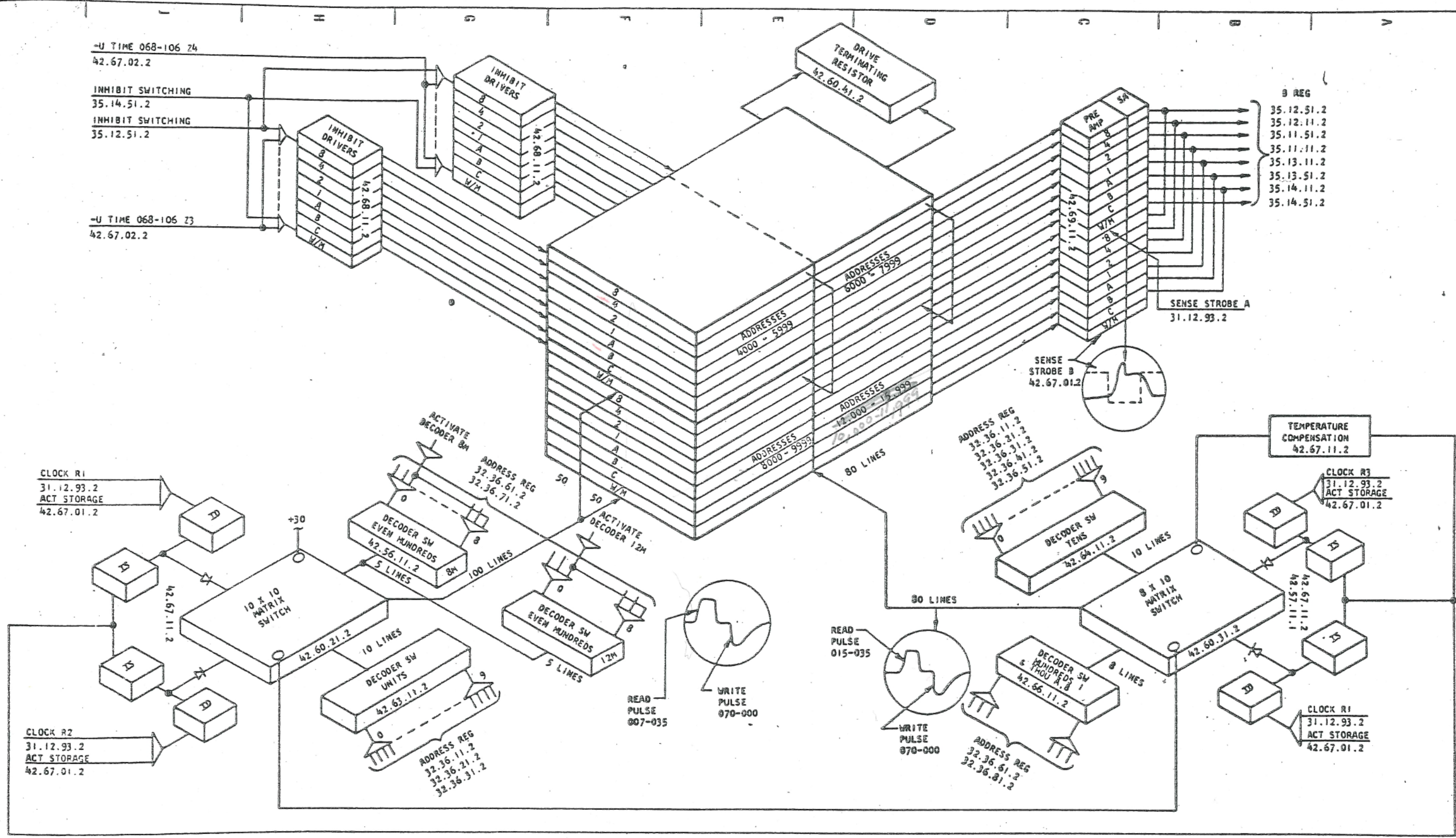
COMMENTS

01A8B24J 01A8B24I 01A8B24K 01A8B24M 01A8B24N



TAG DATE E.C. & S. TA 37897A

0722169 UNITS FOR SERIALIZING DATE 1001 EX 02010002



-U TIME 068-106 24  
42.67.02.2  
INHIBIT SWITCHING  
35.14.51.2  
INHIBIT SWITCHING  
35.12.51.2

-U TIME 068-106 23  
42.67.02.2

B REG  
35.12.51.2  
35.12.11.2  
35.11.51.2  
35.11.11.2  
35.13.11.2  
35.13.51.2  
35.14.11.2  
35.14.51.2

CLOCK R1  
31.12.93.2  
ACT STORAGE  
42.67.01.2

CLOCK R2  
31.12.93.2  
ACT STORAGE  
42.67.01.2

ADDRESS REG  
32.36.11.2  
32.36.21.2  
32.36.31.2  
32.36.41.2  
32.36.51.2

ADDRESS REG  
32.36.61.2  
32.36.71.2  
32.36.81.2  
32.36.91.2

TEMPERATURE  
COMPENSATION  
42.67.11.2  
CLOCK R3  
31.12.93.2  
ACT STORAGE  
42.67.01.2

CLOCK R1  
31.12.93.2  
ACT STORAGE  
42.67.01.2

DATE 10-12-60 EC NO 109540  
1-26-61 109556  
3-31-61 109566

DATE 10-12-60 EC NO 109540  
1-26-61 109556  
3-31-61 109566

805452

TAG DATE  
C 30.5.61  
TA 37615A

0727190

ADDRESS MODIFY UNITS A NET

1001 00

02-02-09-2

UNIT

-1 SET BUS ENT

GATE

12.02.11.2

-1 P 100 A

12.01.21.2

-1 MOD CONTROL

TRANSFER

12.02.11.2

-1 SERIAL UA

12.02.06.2

-1 SERIAL NOT

UA

12.02.06.2

-1 SERIAL NOT 2

12.02.06.2

-1 MODIFIER

MINUS 1

12.02.21.2

-1 SERIAL NOT

12.01.21.2

-1 SERIAL 1

12.01.21.2

-1 SERIAL 2

12.01.21.2

-1 SERIAL 3

12.01.21.2

-1 SERIAL 4

12.01.21.2

-1 SERIAL 5

12.01.21.2

-1 SERIAL 6

12.01.21.2

-1 SERIAL NOT

12.01.21.2

-1 MODIFIER

PLUS 1

12.02.21.2

-1 SERIAL UP

12.02.06.2

-1 SERIAL UP

12.01.21.2

-1 SERIAL NOT

UP

12.02.06.2

-1 SERIAL UP

12.01.21.2

-1 SERIAL NOT

UP

12.02.06.2

-1 SERIAL UP

12.01.21.2

-1 NOT GATED MM

1 CYCLE

12.02.11.2

-1 SERIAL NOT 7

12.02.06.2

-1 SERIAL NOT 8

12.01.21.2

-1 BLOCK MINUS

1 MOD

12.02.06.2

-1 NOT GATED MM

3 CYCLE

12.02.11.2

-1 NOT GATED MM

3 CYCLE

12.02.11.2

-1 BLOCK MINUS

1 MOD

12.02.11.2

-1 BLOCK MINUS

1 MOD

12.02.11.2

-1 BLOCK MINUS

1 MOD

12.02.11.2

-1 BLOCK MINUS

1 MOD

12.02.11.2

-1 BLOCK MINUS

1 MOD

12.02.11.2

-1 BLOCK MINUS

1 MOD

12.02.11.2

-1 BLOCK MINUS

1 MOD

12.02.11.2

-1 BLOCK MINUS

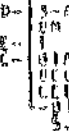
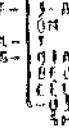
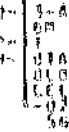
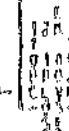
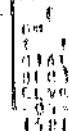
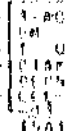
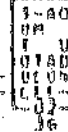
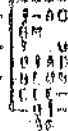
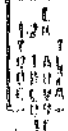
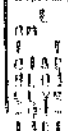
1 MOD

12.02.11.2

-1 BLOCK MINUS

1 MOD

12.02.11.2



01--01A0206 02--01A0206

03--01A0206 04--01A0206

05--01A0206 06--01A0206

07--01A0206 08--01A0206

09--01A0206 10--01A0206

11--01A0206 12--01A0206

COMMENTS

TAG	DATE	F.C.NO.	TAG	DATE	F.C.NO.	TAG	DATE	F.C.NO.	TAG	DATE	F.C.NO.
A	11-10-60	10511	B	12-01-60	10512	C	12-14-60	10513	D	12-28-60	10514
B	11-14-60	10512	C	03-09-61	10513	D	07-16-61	10514	E	08-01-61	10515
C	03-13-61	10513	D	06-28-61	10514	E			F		

722790

722790



-T SET BUS END  
DATA  
32.42.11.2

-T DRUG CZ  
32.41.01.2  
-T CONTROL  
TRANSFER  
32.42.41.2

-T SERIAL NOT  
UP  
42.62.04.2

-T SERIAL 2  
42.62.04.2

-T SERIAL NOT 1  
42.62.04.2

-T MODIFIER  
MINUS  
32.42.21.2  
-T SERIAL NOT  
HS  
32.41.41.2

-T SERIAL NOT 2  
42.62.04.2

-T SERIAL UEZ  
42.61.04.2

-T SERIAL NOT 0  
32.41.21.2

-T MODIFIER  
PLUS  
32.42.21.2

-T SERIAL 0  
32.41.21.2

-T SERIAL NOT  
HA  
32.41.41.2

IU INDEX UNITS  
C ZONE BUS  
41.51.21.2

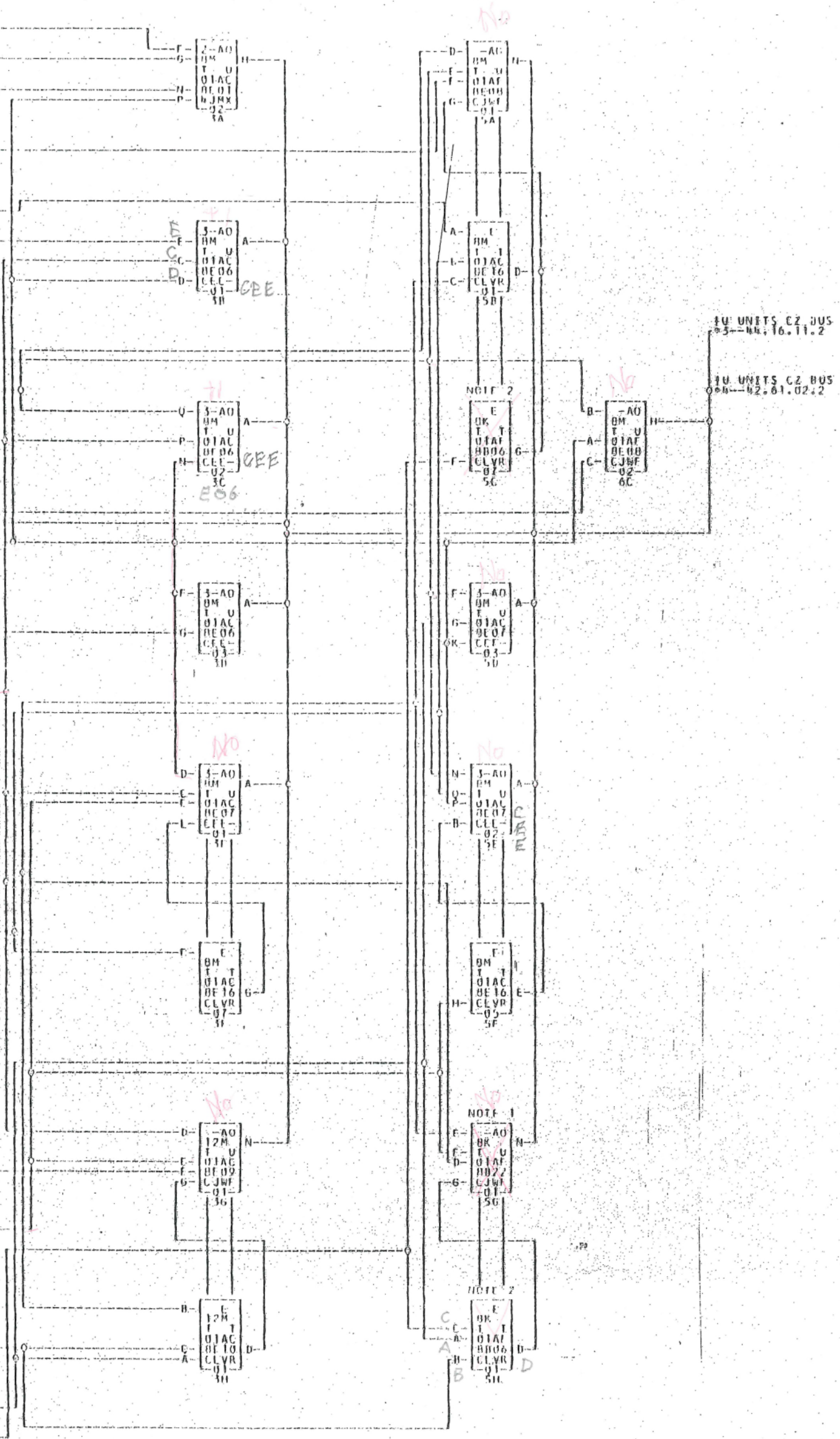
-T SERIAL UB  
42.62.04.2

-T SERIAL UB  
32.41.41.2

-T SERIAL J  
42.62.04.2

-T SERIAL HA  
32.41.41.2

-T SERIAL UA  
42.62.04.2



\*1--01A0B24M    \*2--01A0C24J    \*3--01A0C26A    \*4--01A0B24R    \*5--01A2A02A    \*6--01A2A16M    \*7--0207002H  
 0207C01R    0207C26R    01A0B24R    01A7126R

COMMENTS  
 NOTE 1 B22 IS ADDED FOR BK STORAGE ONLY.  
 NOTE 2 B06 IS ADDED FOR BK AND 12K ONLY.

TAG DATE	F.C.NO.	TAG DATE	F.C.NO.	TAG DATE	F.C.NO.	TAG DATE	F.C.NO.
A 11-10-60	109511C	B 12-16-60	110416	C 12-28-60	110410	D 01-18-61	110422
E 01-24-61	110423	F 03-23-61	110432F	G 06-20-61	110446		

E 8.4.61  
 TA 37597  
 F 12.6.61  
 TA 37663  
 G 18.8.61  
 TA 37759

722800

722801

ADDRESS MODIFY UNITS B BIT

1601 EX

42-62-03.2

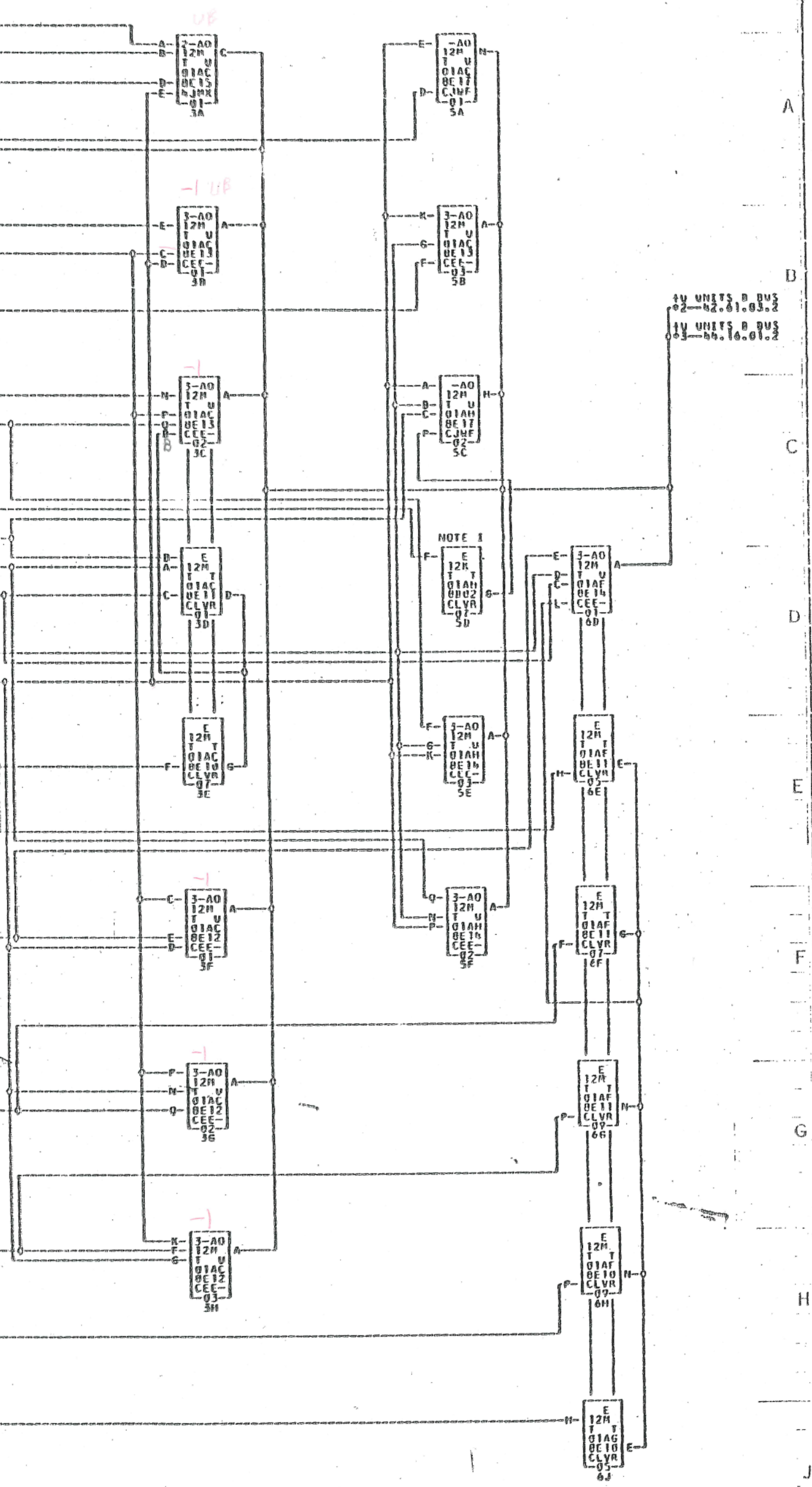
TAG DATE

- D 8.4.61 TA 37597A
- E 15.5.61 TA 37618A
- F 12.6.61 TA 37663A
- G 26.6.61 TA 37674A
- H 7.9.61 TA 37811A

722801

722801

- T SET BUS ENT 32.42.11.2
- T R REG B 32.43.01.2
- T MOD CONTROL TRANSFER 32.42.41.2
- T SERIAL NOT B 32.41.21.2
- T SERIAL NOT 2 42.62.04.2
- T SERIAL NOT 1 42.62.04.2
- T SERIAL 2 42.62.04.2
- T SERIAL NOT 32.41.41.2
- TIE DOWN ON 12R ONLY 00.00.00.0
- T SERIAL NOT VA 42.62.04.2
- T SERIAL NOT MA 32.41.41.2
- T SERIAL NOT MU 42.62.04.2
- T MODIFIER PLUS 32.42.21.2
- T SERIAL UB 42.62.04.2
- T SERIAL D 32.41.21.2
- T SERIAL VA 42.62.04.2
- T SERIAL HB 32.41.41.2
- T SERIAL HA 32.41.41.2
- T SERIAL I 42.62.04.2
- T NOT GATED HM CYCLE 42.62.01.2



01---01A0C24H    02---01A0B240    03---01A0C24R    04---01A2A02R    05---01A2A17Q  
 01A0C240    01A3E23L    02A0C02L    02B7A01L    02B7D01A    02A7D26A

NOTE: 1. 0077 IS TIED TO 76V OFF 12R MACHINES

TAG DATE	E.C.NO.	TAG DATE	E.C.NO.	TAG DATE	E.C.NO.	TAG DATE	E.C.NO.
A 11-10-60	107511C	D 12-16-60	110416	C 12-28-60	110410	H 01-24-61	110423
E 03-09-61	110431B	F 03-23-61	110432F	G 04-03-61	110434	H 07-18-61	110440

122000

-T SERIAL J

-T SERIAL J  
02.02.01.2  
-T SERIAL J  
02.02.02.2 A  
-T SERIAL J  
02.02.03.2

-T SERIAL NO1

-T SERIAL NO1  
02.02.01.2  
-T SERIAL NO1  
02.02.02.2  
-T SERIAL NO1  
02.02.03.2 B

-T SERIAL 2

-T SERIAL 2  
02.02.01.2  
-T SERIAL 2  
02.02.02.2  
-T SERIAL 2  
02.02.03.2 C

-T SERIAL NO2

-T SERIAL NO2  
02.02.01.2  
-T SERIAL NO2  
02.02.02.2  
-T SERIAL NO2  
02.02.03.2 D

-T SERIAL VA

-T SERIAL VA  
02.02.01.2  
-T SERIAL VA  
02.02.02.2  
-T SERIAL VA  
02.02.03.2 E

-T SERIAL NO3

-T SERIAL NO3  
VA  
02.02.01.2  
-T SERIAL NO3  
VA  
02.02.02.2  
-T SERIAL NO3  
VA  
02.02.03.2 F

-T SERIAL UP

-T SERIAL UP  
02.02.02.2  
-T SERIAL UP  
02.02.03.2  
-T SERIAL UP  
02.02.04.2 G  
-T SERIAL UP  
02.02.05.2

-T SERIAL NOT

-T SERIAL NOT  
UB  
02.02.02.2  
-T SERIAL NOT  
UB  
02.02.03.2  
-T SERIAL NOT  
UB  
02.02.04.2  
-T SERIAL NOT  
UB  
02.02.05.2 H

01--01A0026J

02--01A0026K

03--01A0026L

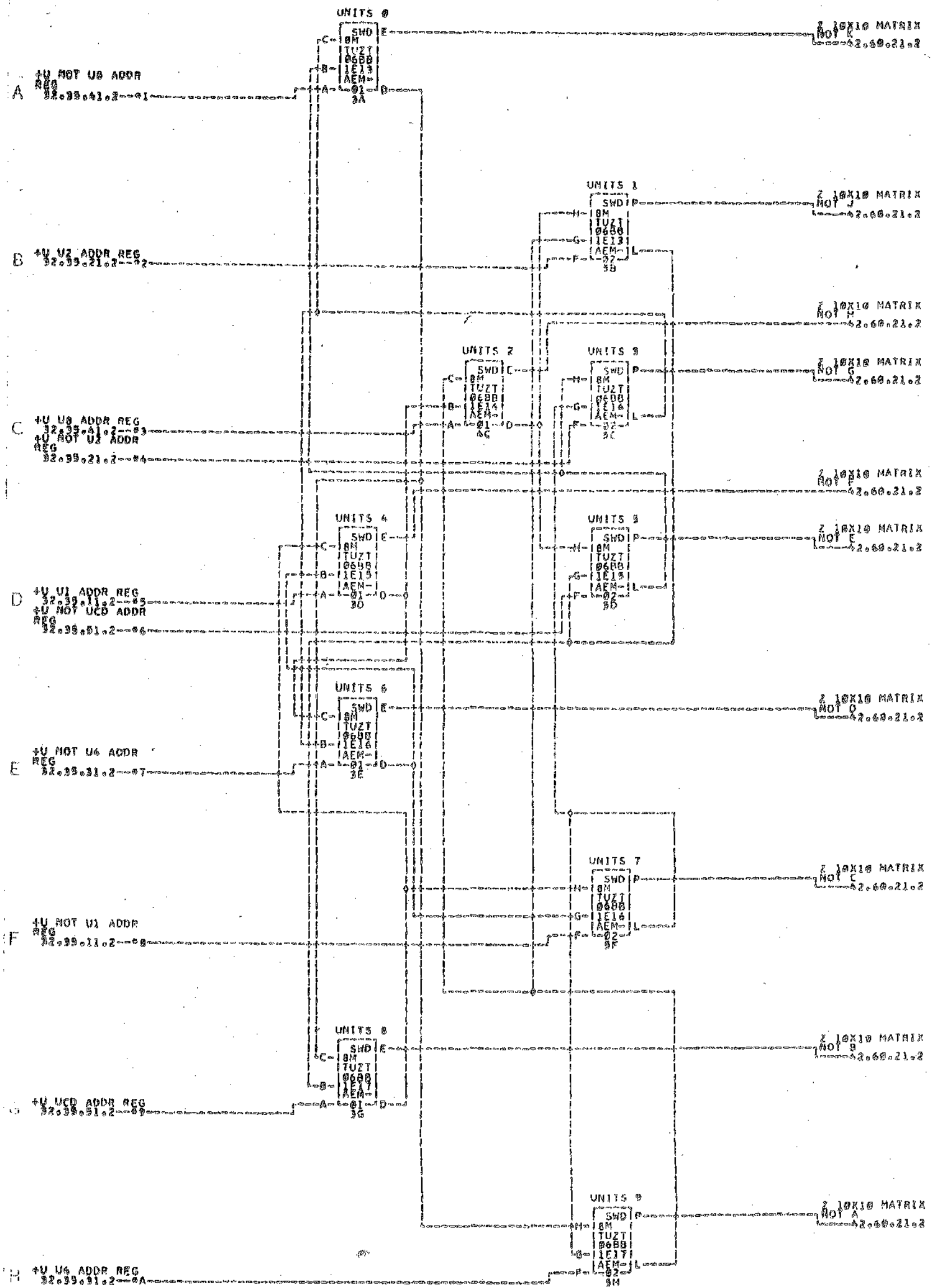
04--01A0026M

122000

CONTINUED

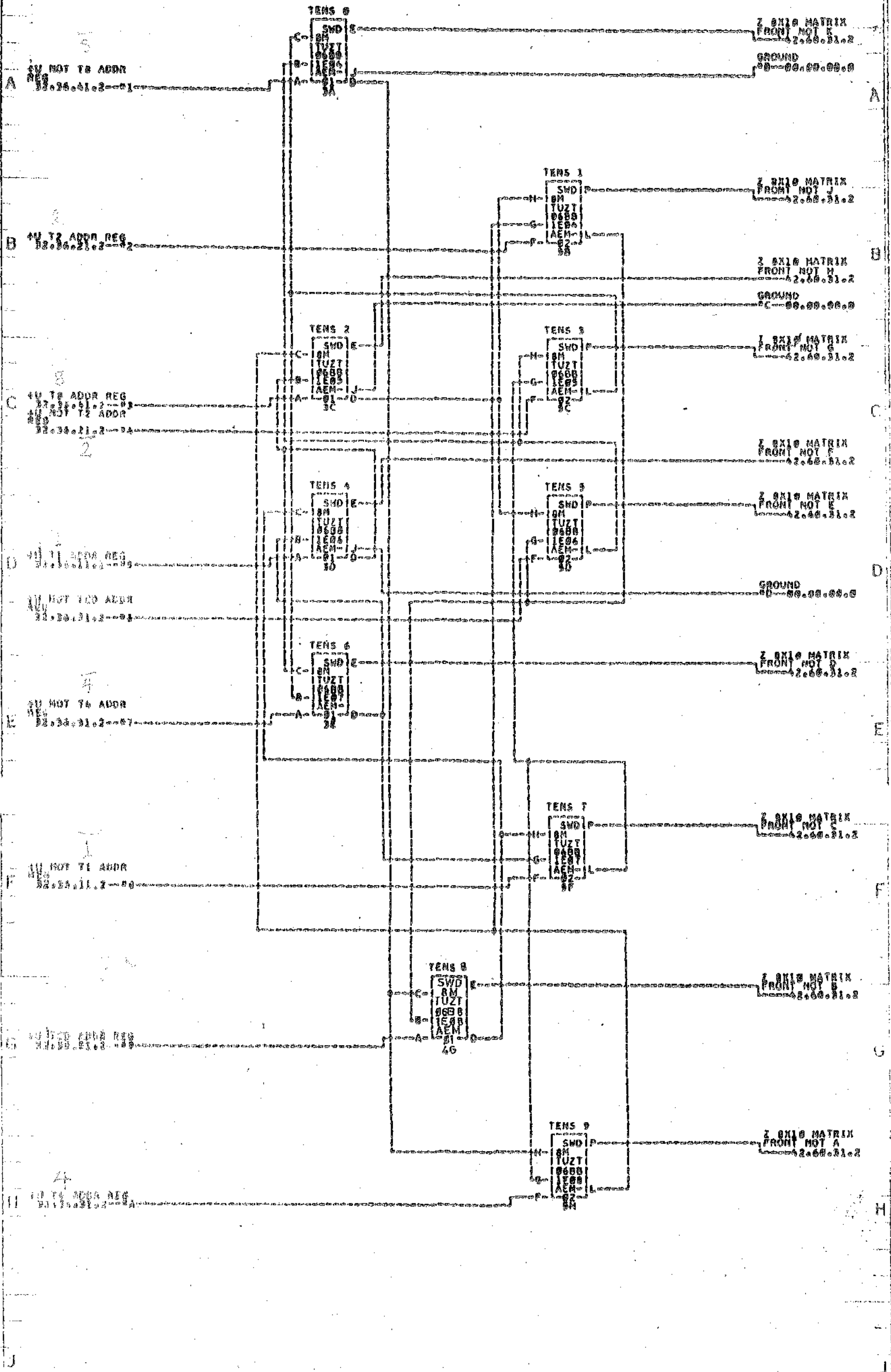
TAG DATE	F.C.NO.	TAG DATE	F.C.NO.	TAG DATE	F.C.NO.	TAG DATE	F.C.NO.
11-10-60	109211C	01-10-61	110622	01-24-61	110622	07-10-61	110622

END

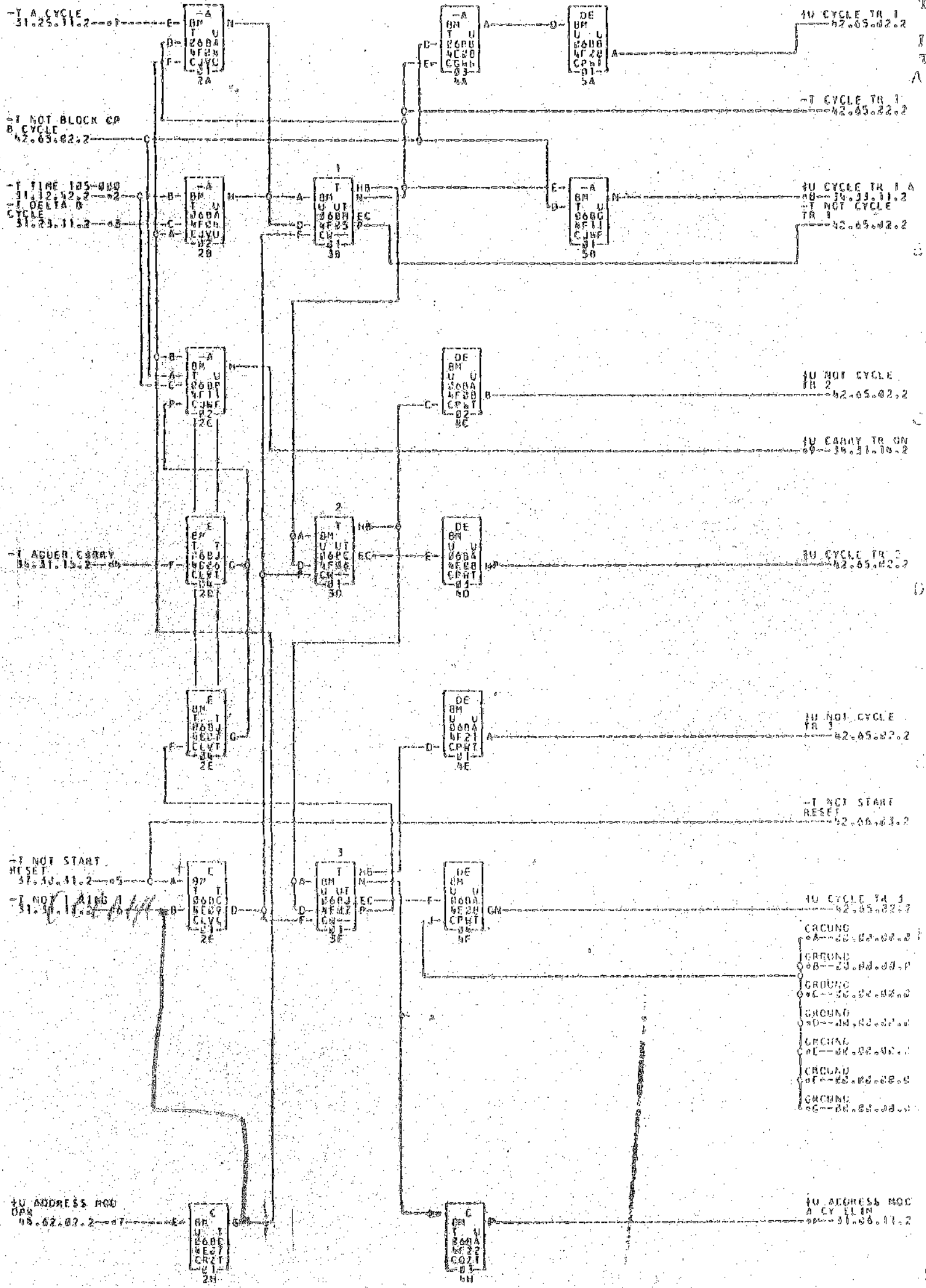


31--0687A040	-----0681E03D	32--0687A010	-----0681E01B	33--0687A01D	-----0681E01D
34--0687A04B	-----0681E03A	35--0687A01A	-----0681E01A	34--0687A04E	-----0681E02E
37--0687A04C	-----0681E03C	38--0687A06A	-----0681E02A	39--0687A01E	-----0681E01E
3A--0687A01C	-----0681E01C				

0000412



01-00070400	00-00010000	01-00070400	00-00010000	01-00070400	00-00010000
02-00070400	00-00010000	02-00070400	00-00010000	02-00070400	00-00010000
03-00070400	00-00010000	03-00070400	00-00010000	03-00070400	00-00010000
04-00070400	00-00010000	04-00070400	00-00010000	04-00070400	00-00010000
05-00070400	00-00010000	05-00070400	00-00010000	05-00070400	00-00010000
06-00070400	00-00010000	06-00070400	00-00010000	06-00070400	00-00010000
07-00070400	00-00010000	07-00070400	00-00010000	07-00070400	00-00010000
08-00070400	00-00010000	08-00070400	00-00010000	08-00070400	00-00010000
09-00070400	00-00010000	09-00070400	00-00010000	09-00070400	00-00010000
10-00070400	00-00010000	10-00070400	00-00010000	10-00070400	00-00010000



State CPU Mapping

01--06B7A12E	06B7F32P	02--06B7A13A	06B7C31A	01--06B7A120	06B7F02N
04--06B7A13F	06B7E31E	05--06B7A12C	06B7D02M	06--06B7A126	06B7F02U
07--06B7A13N	06B7E31N	08--06B7C12H	06B7A10M	09--06B7C11X	06B7A10K
0A--06B7F11J	06B7F02J	0C--06B7C11J	0D--06B7C02J	0C--06B7C11J	0F--06B7C02J
0G--06B7D03J	06B7F02H	0B--06B7A12M			

LOCATION OF PIN	COMMENT	TAG	DATE	I.C. NO.	TAG	DATE	I.C. NO.	TAG	DATE	I.C. NO.	TAG	DATE	I.C. NO.
		A	10-12-60	189520	B	12-20-60	189520	C	12-20-60	189521	D	12-20-60	189521
		L	11-11-60	189531	H	11-11-60	189542	I	11-20-61	189552	J	11-20-61	189552
		J	11-20-61	189569									

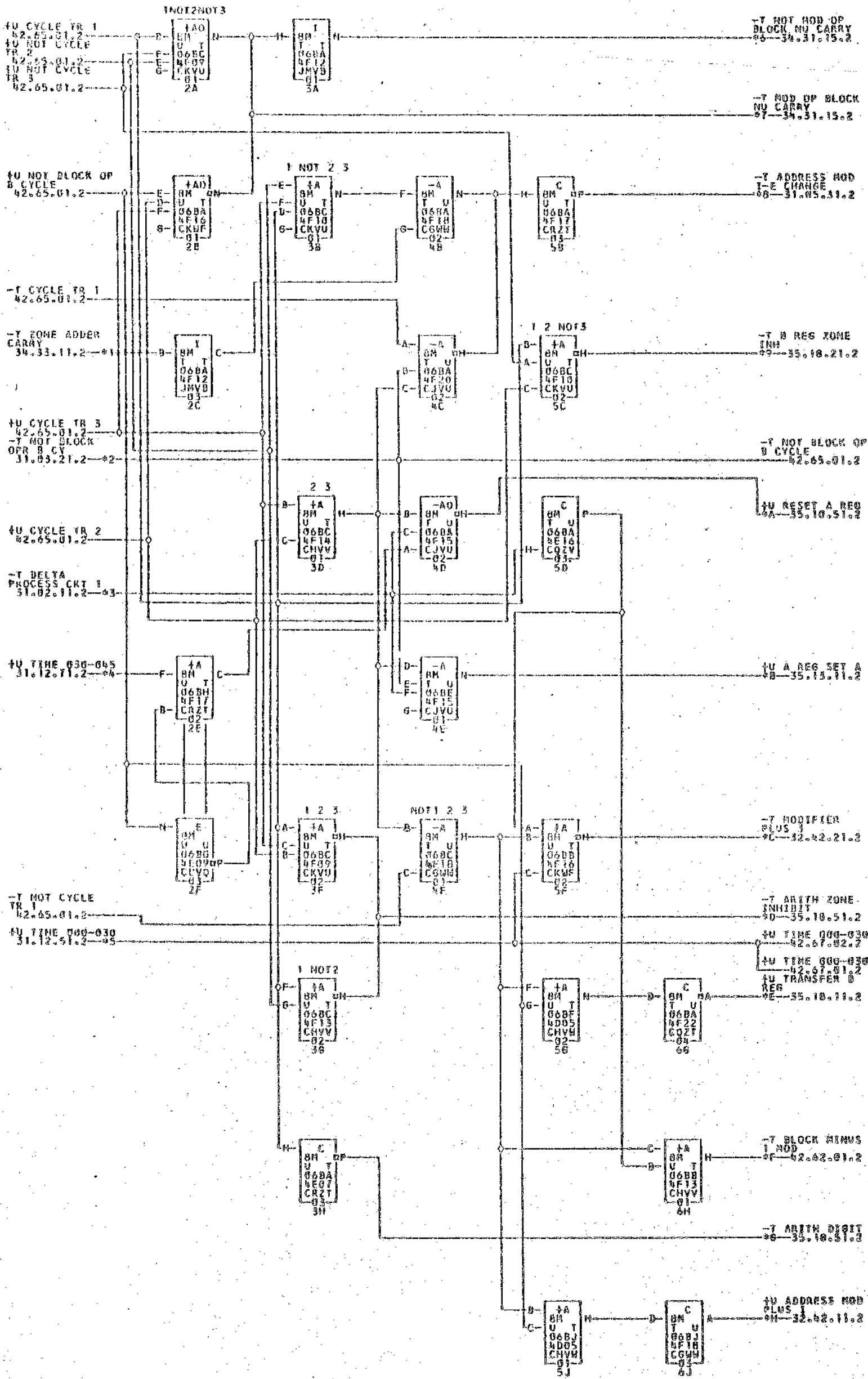
8001100

G 4.5.62

TA 1305

I 20.6.63

TA 1371A



- \*1-0607A13H
- \*2-0607A12F
- \*3-0607A16F
- \*4-0607A13D
- \*5-0607A13B
- \*6-0607A16M
- \*7-0607A13D
- \*8-0607A12R
- \*9-0607A16A
- \*A-0607A13B
- \*B-0607A13C
- \*C-0607A13D
- \*D-0607A13E
- \*E-0607A13F
- \*F-0607A13G
- \*G-0607A13H
- \*H-0607A13I
- \*I-0607A13J
- \*J-0607A13K
- \*K-0607A13L
- \*L-0607A13M
- \*M-0607A13N
- \*N-0607A13O
- \*O-0607A13P
- \*P-0607A13Q
- \*Q-0607A13R
- \*R-0607A13S
- \*S-0607A13T
- \*T-0607A13U
- \*U-0607A13V
- \*V-0607A13W
- \*W-0607A13X
- \*X-0607A13Y
- \*Y-0607A13Z
- \*Z-0607A13A

COMMENTS

TAG DATE	F.C.NO.	TAG DATE	F.C.NO.	TAG DATE	F.C.NO.	TAG DATE	F.C.NO.
A 06-15-61	109572	B 07-27-61	109572B	C 07-11-61	109572C	D 10-25-61	110235
E 11-03-61	110235	F 12-06-61	113623	G 01-23-62	113839	H 03-10-63	117236
J 03-27-63	117242						

805470

HU NOT H8 ADDR  
REG  
42.37.41.2--01

HU H8 ADDR REG  
42.37.41.2--02

HU H8 ADDR REG  
42.37.31.2--03

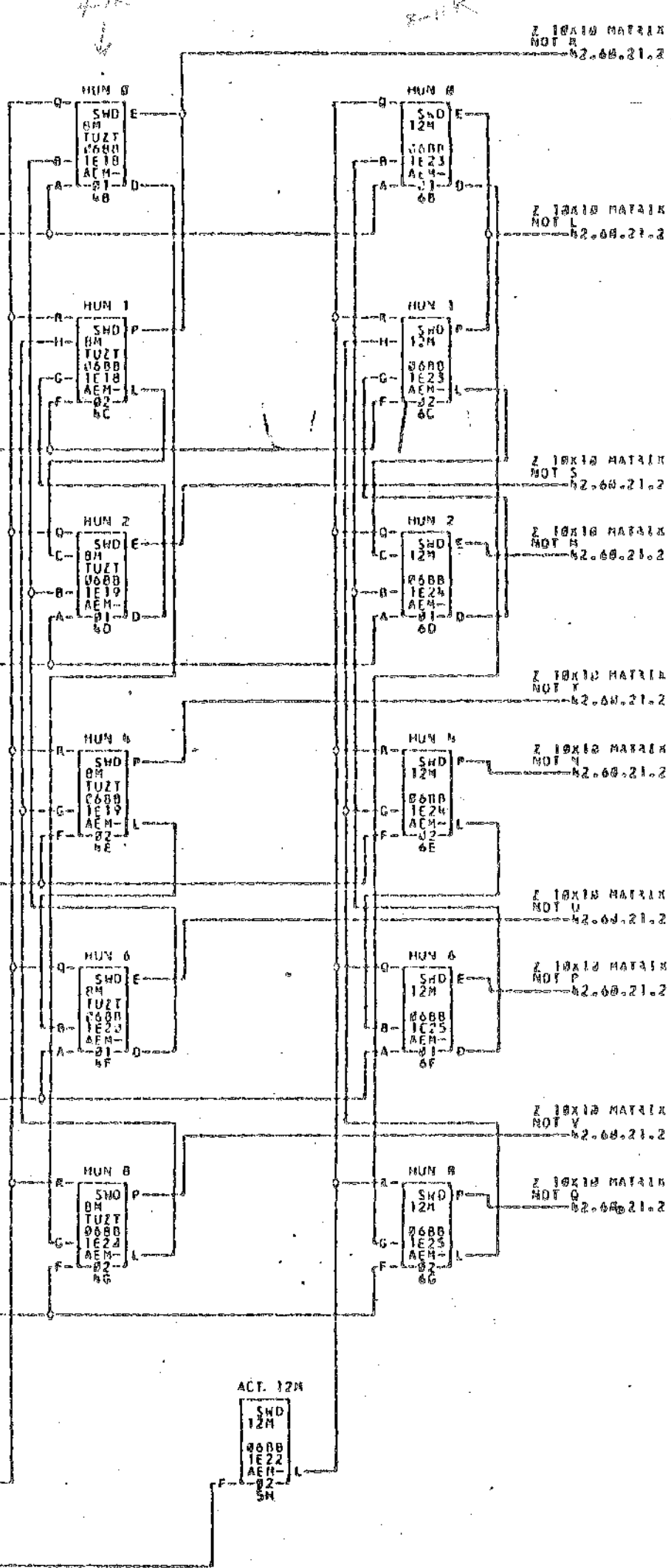
HU NOT H8 ADDR  
REG  
42.37.31.2--04

HU NOT H2 ADDR  
REG  
42.37.21.2--05

HU H2 ADDR REG  
42.37.21.2--06

-U ACTIVATE  
DECODE BK  
42.67.01.2--07

-U ACTIVATE  
DECODE 12M  
42.67.01.2--08



*Handwritten notes:*

Addresses  
 3 XXX  
 4 XXX  
 6 XXX  
 12 XXX

*Other handwritten notes:*

ACT 6M  
 ACT 12M

- 01--0687A00
- 02--0687A10
- 03--0687A1P
- 04--0687A2P
- 05--0687A9M
- 06--0687A1M
- 07--0687A2K
- 08--0687E22
- 09--0687E2P
- 10--0687E10
- 11--0687E2N
- 12--0687E2L
- 13--0687E1P
- 14--0687E1M

COMMENTS

TAG	DATE	E.C. NO.	TAG	DATE	E.C. NO.	TAG	DATE	E.C. NO.	TAG	DATE	E.C. NO.
A	68-03-68	1895258	B	69-28-68	189535	C	70-11-68	189533	D	73-24-61	189568

805414



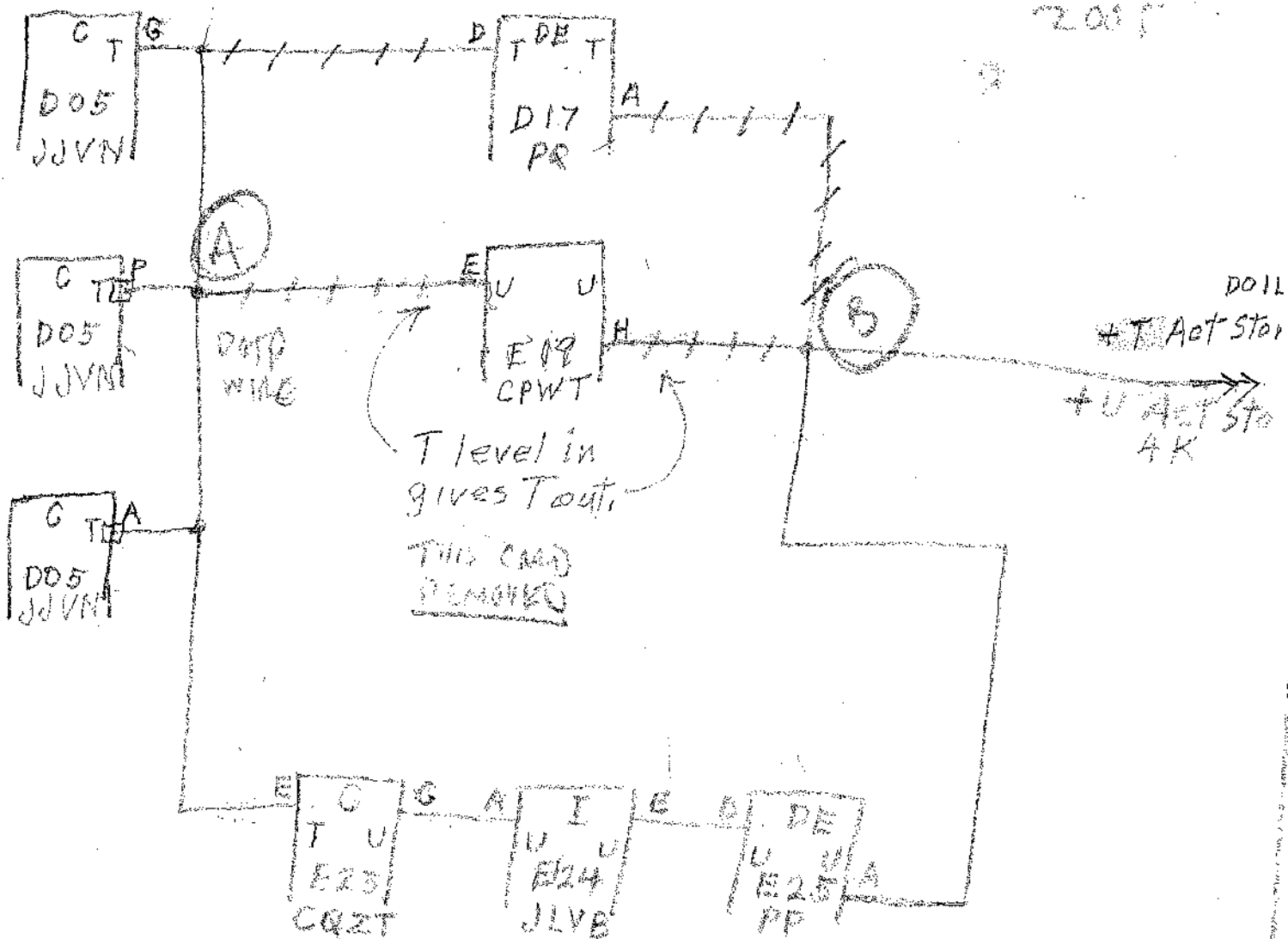


42-67-01 OEB 4 4/2/67/01 1406

MDS

DE / RW

2005



DO5 P TO E23 E  
 E23 G TO E24 A  
 E24 E TO E25 U  
 E4TA TO E19 H