

C 7.12.63
TA 1884
D 18.4.63
TA 1815A

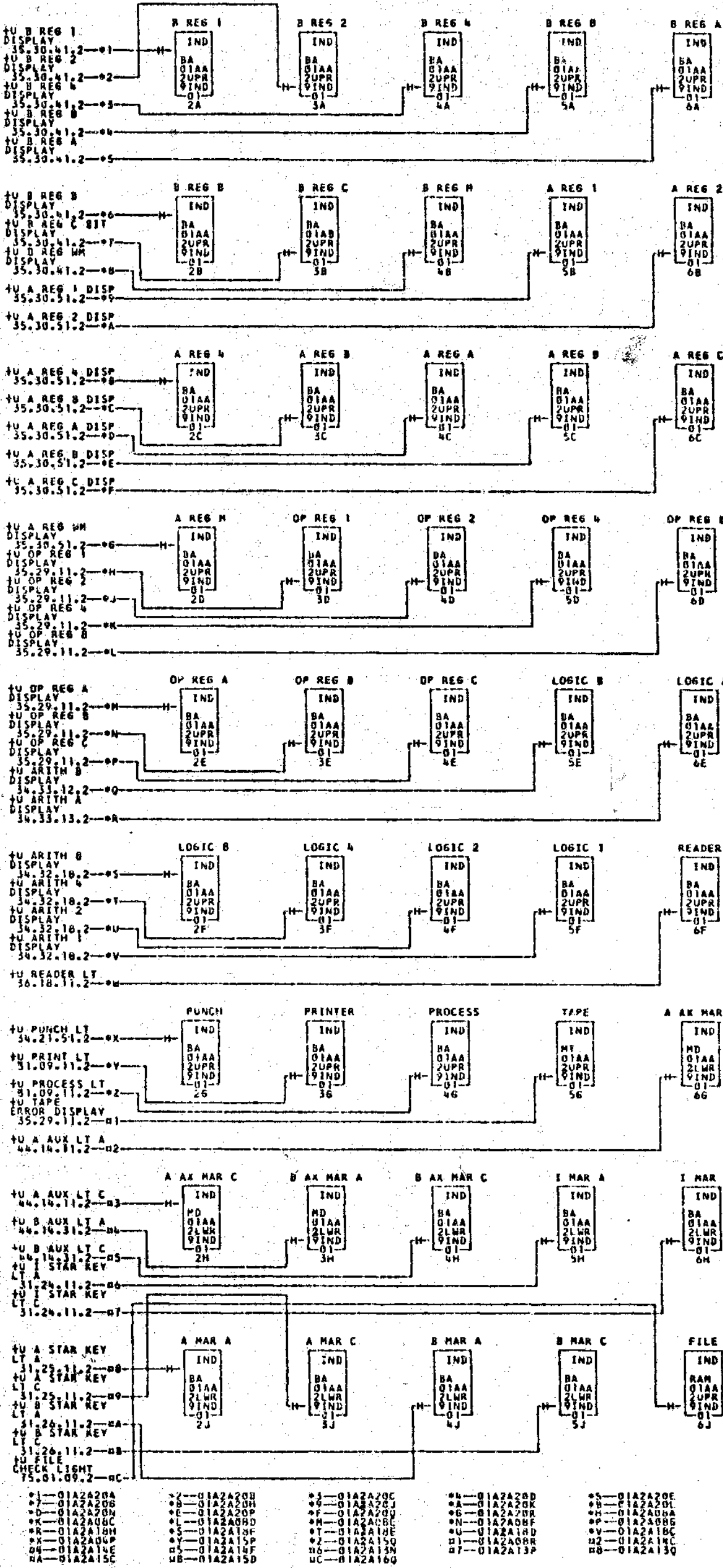
- | | | | | | |
|-------------|-------------|-------------|-------------|-------------|-------------|
| *1-01A2A23L | 01B8RC5h | *2-01A2A02E | 01B8RC25 | *3-01A2A23R | 01B8RC53 |
| *4-01A2A07J | 01B8RC5b | *5-01A2A02M | 01B8RC23 | *6-01B8RC71 | *7-01A2A17P |
| *8-01A2A23L | 01B8AGAF | 01B7D03R | *9-01A2A23L | 01B8ADAF | 02A8C24R |
| *A-01A2A13D | 01B2F04D | *B-01B8RC52 | *C-01A2A23R | 01B8AGCB | *D-01A2A13A |
| 01B2F04A | *E-01A2A02E | *F-01A2A07J | *G-01A2A07J | 01A6D25J | *H-01A6A26F |
| *6-01B8RC2h | *H-01A2A13K | *I-01A2A23P | *J-01A2A23P | 01B8A0BT | *K-01A2A19L |
| 01B4A031 | *L-01A2A07H | *M-01A6D26H | *N-01A2A18P | 01A6A2AE | *O-01A2A19L |
| 01B8RC95 | *R-01A2A23B | 01B7F03E | *S-01A2A14A | 01B3F02P | *P-01A2A04M |
| 01B6A02H | *R-01A2A11E | 01B7F03E | *U-01A2A11L | 02A9E09A | *Q-02B7D02A |
| *T-01A2A14B | *W-01A2A11G | 02B7D02B | *X-01A2A17P | 01B2F03L | *V-01A2A11H |
| 01A2A14B | 02A9F19A | 01B2F03G | *X-01A2A17P | 01B8RC70 | *Y-01A2A14R |
| | | *Z-01A2A14M | 02A9F11A | 02B7E02M | |

NOTE 1: WHEN A SIGNAL IS PRECEDED BY AN ASTERISK, ITS EXPANSION INDICATES CABLE WIRING FOR REMOTE RECYCLE CONTROL INSTALLATION.

TAG DATE E.C.NO. TAG DATE E.C.NO. TAG DATE E.C.NO. TAG DATE E.C.NO.

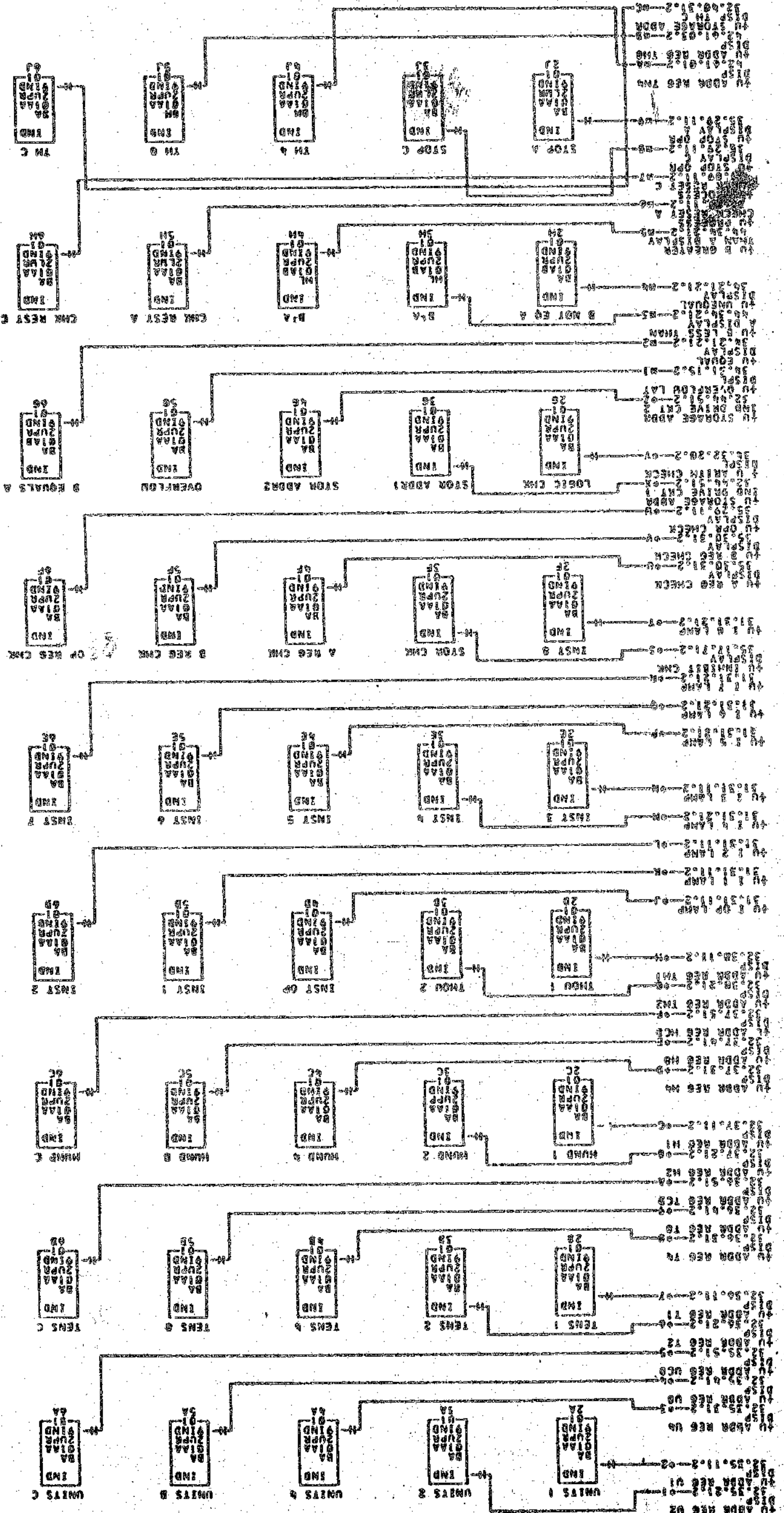
A 12-15-61 113530 B 05-03-62 114161 C 09-20-62 116166 D 01-22-63 116179A

1815A
728703



728704

A 4.68
TA 1233B
B 46.4.63
TA 1815A



Comments
 1. All other...
 2. ...
 3. ...
 4. ...
 5. ...
 6. ...
 7. ...
 8. ...
 9. ...
 10. ...
 11. ...
 12. ...
 13. ...
 14. ...
 15. ...
 16. ...
 17. ...
 18. ...
 19. ...
 20. ...
 21. ...
 22. ...
 23. ...
 24. ...
 25. ...
 26. ...
 27. ...
 28. ...
 29. ...
 30. ...
 31. ...
 32. ...
 33. ...
 34. ...
 35. ...
 36. ...
 37. ...
 38. ...
 39. ...
 40. ...
 41. ...
 42. ...
 43. ...
 44. ...
 45. ...
 46. ...
 47. ...
 48. ...
 49. ...
 50. ...
 51. ...
 52. ...
 53. ...
 54. ...
 55. ...
 56. ...
 57. ...
 58. ...
 59. ...
 60. ...
 61. ...
 62. ...
 63. ...
 64. ...
 65. ...
 66. ...
 67. ...
 68. ...
 69. ...
 70. ...
 71. ...
 72. ...
 73. ...
 74. ...
 75. ...
 76. ...
 77. ...
 78. ...
 79. ...
 80. ...
 81. ...
 82. ...
 83. ...
 84. ...
 85. ...
 86. ...
 87. ...
 88. ...
 89. ...
 90. ...
 91. ...
 92. ...
 93. ...
 94. ...
 95. ...
 96. ...
 97. ...
 98. ...
 99. ...
 100. ...

5181
728705

8728706

SWITCH MODE-INQUIRY MACH ONLY

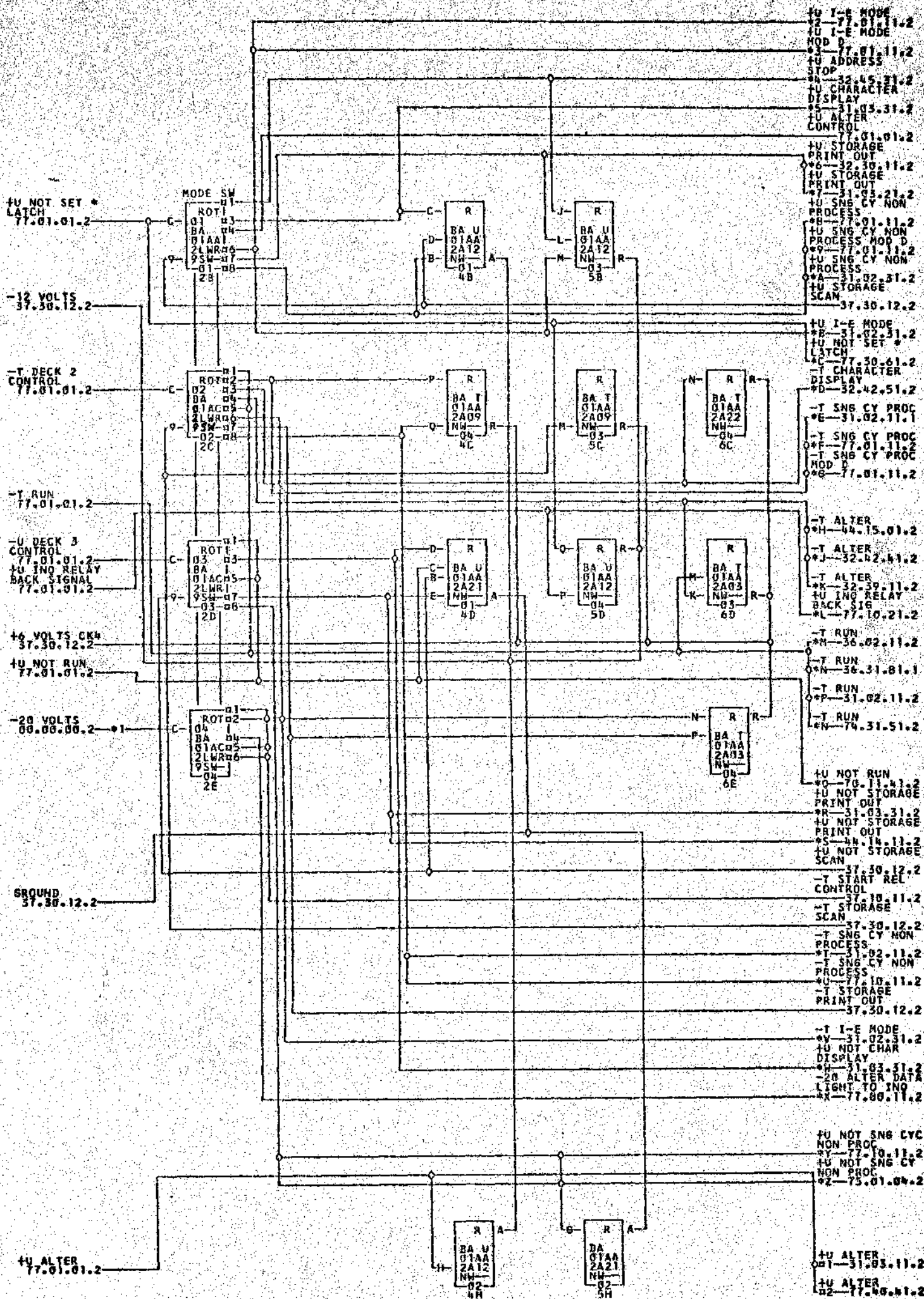
1481190

37.30.11.2

TAG DATE

82.7.62
TK 1870A

C 18.4.63
TK 1816A



*1-01A2A24P	*2-01A2A15R	02A8C24Q	*3-01A2A15R	01B7D03Q	*4-01A2A02H
01A8C26H	*5-01A2A11C	01B2F03C	*6-01A2A10B	01A7E23P	*7-01A2A13H
01B2F04M	*8-01A2A11B	02A8C24P	*9-01A2A11B	01B7D03P	*A-01A2A13B
01B2F03B	*B-01A2A15R	01B2C08R	*C-01A2A13C	01B8A00C	*D-01A2A02F
01A8C26F	*E-01A2A13E	01B2F03B	*F-01A2A13E	02A8C24N	*E-01A2A13E
01B7D03N	*H-01A2A11C	02A8F07A	*G-02B1D02L	02B7C02K	*6-01A2A13E
*J-01A2A02D	01A8C26D	*K-01A2A10G	01A7E25E	*L-01A2A23K	02A7A26K
*M-01A2A19A	01B4A03R	*N-01A2A07D	01A6D26D	01A6F23K	01B8A04H
02B1E02F	*P-01A2A13E	01B2F04E	*O-01A2A18K	01B3F02K	02A9A15F
02A0C09E	02A2B24K	01B2F03K	*R-01A2A11K	01B2F03K	01B3F03K
02A9F03A	02B7D02H	01B2F03Q	*T-01A2A13H	01B2F04H	*S-01A2A13E
01B8A00X	*V-01A2A13F	01B2F04F	*U-01A2A11Q	01A2A23E	*U-01A2A13E
*Y-01A2A23F	01B8A00N	*Z-01A2A10H	01A7E25M	01A2A23E	01B8A00X
01A8C24R	02A9C11F	02A8C23R	01-01A2A11A	01A7A23E	01A8A26B
				02-01A2A23A	01B8A00D

THIS DIAGRAM APPLIES ONLY TO MACHINES WITH INQUIRY

COMMENTS

TAG DATE E.C.NO. TAG DATE E.C.NO. TAG DATE E.C.NO. TAG DATE E.C.NO.

A 12-15-61 113538 B 04-04-62 114133 C 01-22-63 114177A

728706

8728707

SWITCH MODE

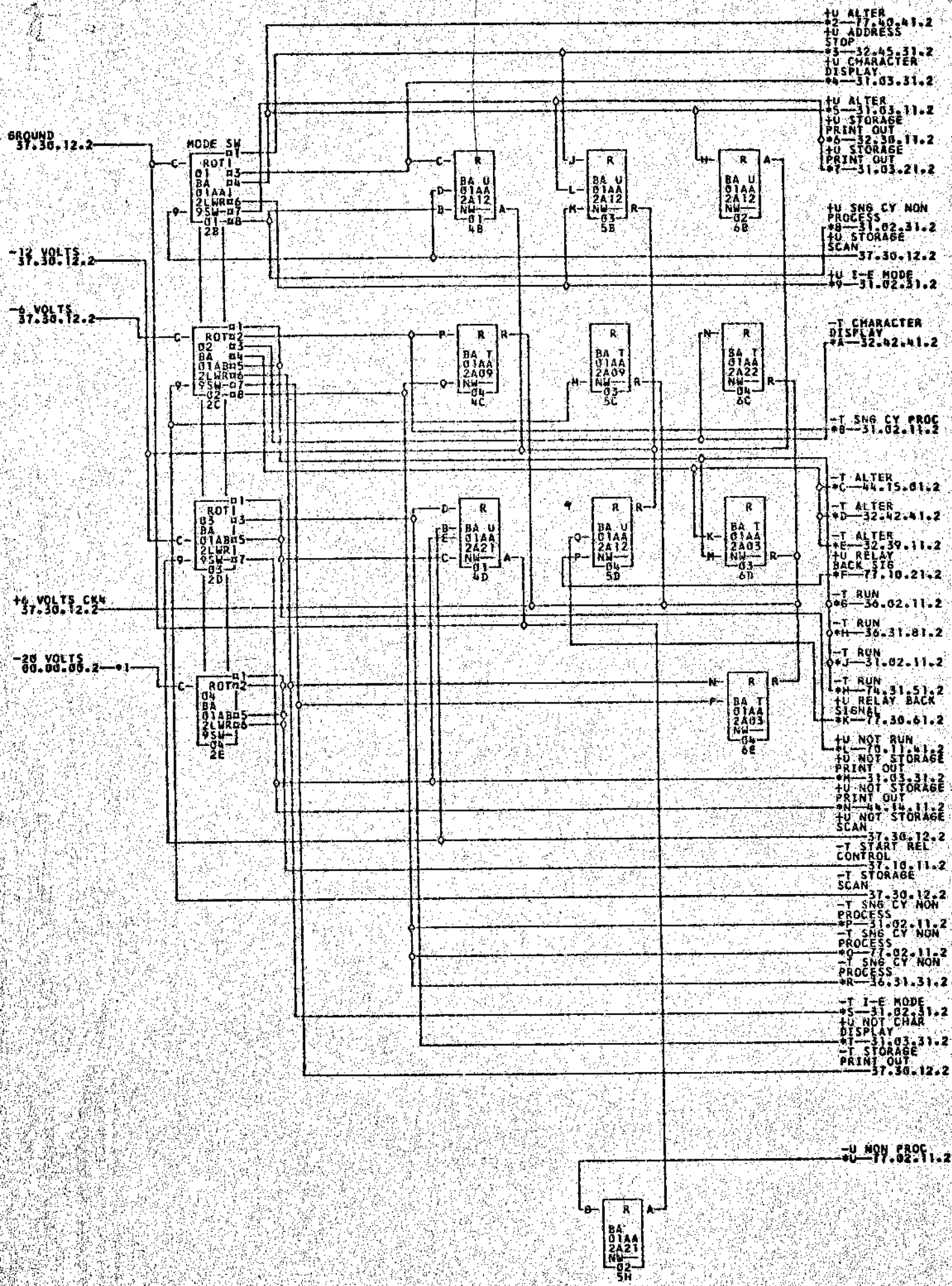
1401 BA

37.30.11.2

TAG DATE

A 8.4.62
TA 1233B

B 16.4.63
TA 1815A

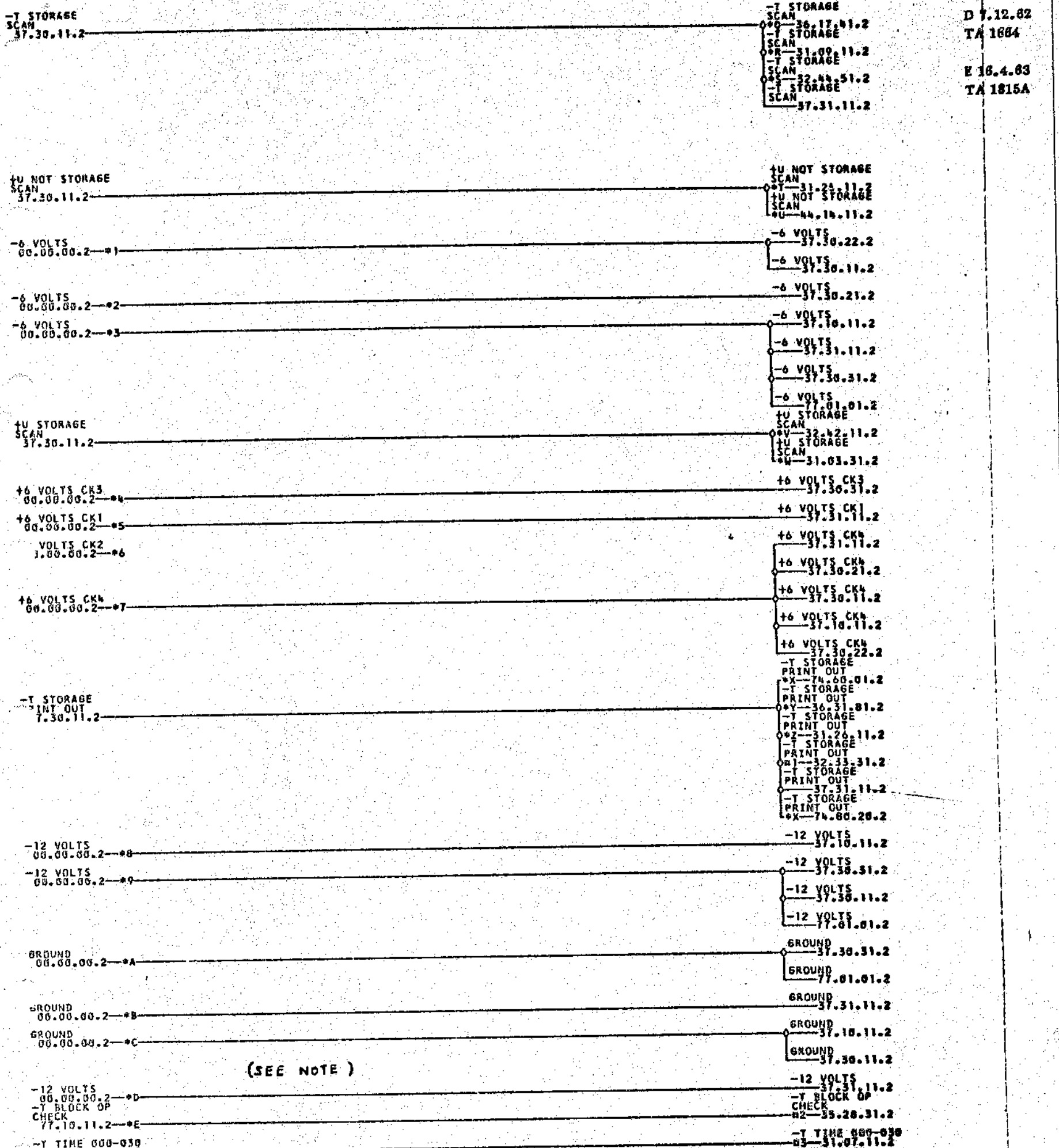


*1-01A2A24P	*2-01A2A25A	*3-01A2A20H	01A8C26H	*4-01A2A11C	01B2F03C
*5-01A2A11A	01B2F03A	*6-01A2A10B	01A7E25B	*7-01A2A13H	01B2F04H
*8-01A2A11B	01B2F03B	*9-01A2A15R	01B2F04R	*A-01A2A02F	01A8C26F
*B-01A2A13C	01B2F04G	*C-01A2A14L	02A9F09A	02B7D02L	02A2A03K
*D-01A2A02D	01A8C26D	*E-01A2A10G	01A6D26D	01A7E25G	02A9A15F
*F-01A2A19R	01A2A07D	*G-01A2A07D	01B2F04E	*L-01A2A18K	01B3F02K
*H-01B1E02P	01A2A13E	*I-01A2A04E	02A2B26K	*M-01A2A11K	01B2F03K
*J-01A2A15E	02A0C05E	*K-01A2A24L	01B2F03X	*N-01A2A13H	01B2F04H
*L-01A2A14H	02A9F05A	*M-01A2A02H	01B2F03D	*P-01A2A13H	01B2F04H
*N-01A2A13H	*O-01A2A07E	*P-01A2A13F	*S-01A2A13F	*Q-01A2A11Q	

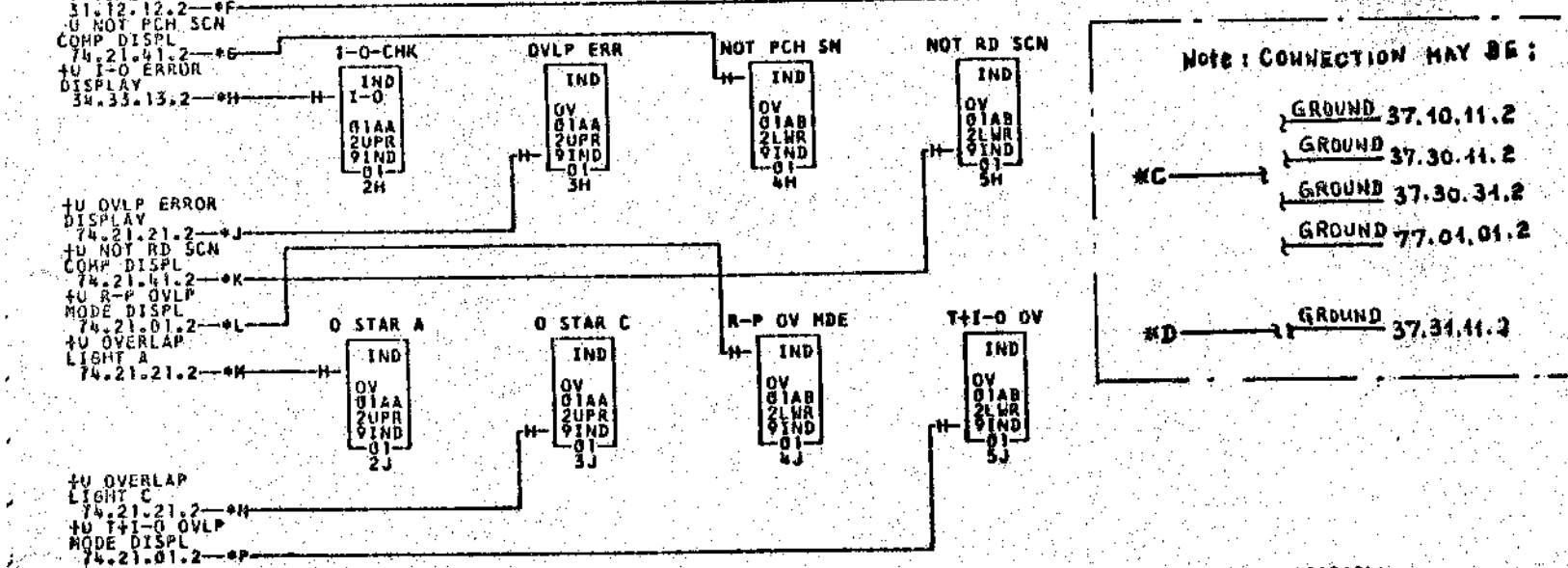
COMMENTS

TAG DATE	E.C.NO.	TAG DATE	E.C.NO.	TAG DATE	E.C.NO.	TAG DATE	E.C.NO.
A 12-15-61	115530	B 01-22-63	116177A				

1815 / 728707



(SEE NOTE)



Note: CONNECTION MAY BE:

- GROUND 37.10.11.2
- GROUND 37.30.41.2
- GROUND 37.30.31.2
- GROUND 77.04.01.2
- GROUND 37.31.11.2

- *1-01A2A24D
- *2-01A2A24E
- *3-01A2A24F
- *4-01A2A24H
- *5-01A2A24N
- *6-01A2A24U
- *7-01A2A24K
- *8-01A2A24L
- *9-01A2A24C
- *A-01A2A24M
- *B-01A2A24S
- *C-01A2A24J
- *D-01A2A24V
- *E-01A2A23D
- *F-01A2A18L
- *G-01A2A19G
- *H-01A2A19M
- *I-01A2A19N
- *J-01A2A19Q
- *K-01A2A19R
- *L-01A2A19S
- *M-01A2A19T
- *N-01A2A19U
- *O-01A2A19V
- *P-01A2A19W
- *Q-01A2A19X
- *R-01A2A19Y
- *S-01A2A19Z
- *T-01A2A19A
- *U-01A2A19B
- *V-01A2A19C
- *W-01A2A19D
- *X-01A2A19E
- *Y-01A2A19F
- *Z-01A2A19G
- *01-01A2A19H
- *02-01A2A19I
- *03-01A2A19J
- *04-01A2A19K
- *05-01A2A19L
- *06-01A2A19M
- *07-01A2A19N
- *08-01A2A19O
- *09-01A2A19P
- *10-01A2A19Q
- *11-01A2A19R
- *12-01A2A19S
- *13-01A2A19T
- *14-01A2A19U
- *15-01A2A19V
- *16-01A2A19W
- *17-01A2A19X
- *18-01A2A19Y
- *19-01A2A19Z
- *20-01A2A19A
- *21-01A2A19B
- *22-01A2A19C
- *23-01A2A19D
- *24-01A2A19E
- *25-01A2A19F
- *26-01A2A19G
- *27-01A2A19H
- *28-01A2A19I
- *29-01A2A19J
- *30-01A2A19K
- *31-01A2A19L
- *32-01A2A19M
- *33-01A2A19N
- *34-01A2A19O
- *35-01A2A19P
- *36-01A2A19Q
- *37-01A2A19R
- *38-01A2A19S
- *39-01A2A19T
- *40-01A2A19U
- *41-01A2A19V
- *42-01A2A19W
- *43-01A2A19X
- *44-01A2A19Y
- *45-01A2A19Z
- *46-01A2A19A
- *47-01A2A19B
- *48-01A2A19C
- *49-01A2A19D
- *50-01A2A19E
- *51-01A2A19F
- *52-01A2A19G
- *53-01A2A19H
- *54-01A2A19I
- *55-01A2A19J
- *56-01A2A19K
- *57-01A2A19L
- *58-01A2A19M
- *59-01A2A19N
- *60-01A2A19O
- *61-01A2A19P
- *62-01A2A19Q
- *63-01A2A19R
- *64-01A2A19S
- *65-01A2A19T
- *66-01A2A19U
- *67-01A2A19V
- *68-01A2A19W
- *69-01A2A19X
- *70-01A2A19Y
- *71-01A2A19Z
- *72-01A2A19A
- *73-01A2A19B
- *74-01A2A19C
- *75-01A2A19D
- *76-01A2A19E
- *77-01A2A19F
- *78-01A2A19G
- *79-01A2A19H
- *80-01A2A19I
- *81-01A2A19J
- *82-01A2A19K
- *83-01A2A19L
- *84-01A2A19M
- *85-01A2A19N
- *86-01A2A19O
- *87-01A2A19P
- *88-01A2A19Q
- *89-01A2A19R
- *90-01A2A19S
- *91-01A2A19T
- *92-01A2A19U
- *93-01A2A19V
- *94-01A2A19W
- *95-01A2A19X
- *96-01A2A19Y
- *97-01A2A19Z
- *98-01A2A19A
- *99-01A2A19B
- *00-01A2A19C

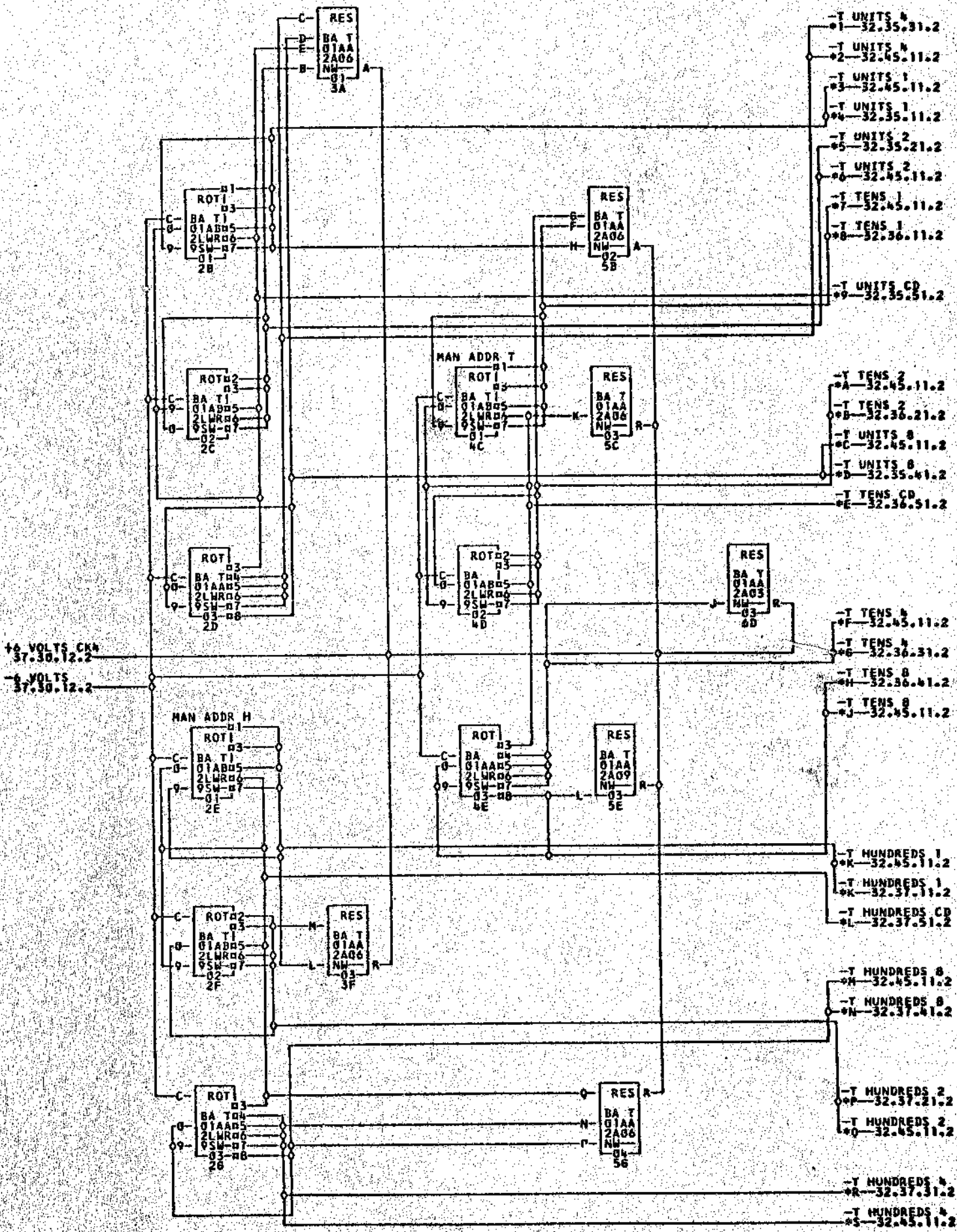
COMMENTS

TAG DATE FIG NO TAG DATE FIG NO TAG DATE FIG NO TAG DATE FIG NO
 A 12-15-61 113530 B 01-29-62 113530 C 01-01-62 113530 D 01-29-62 113530
 E 01-22-63 114177A

728708

A 5.4.62
TA 1233B

B 16.4.63
TA 1815A

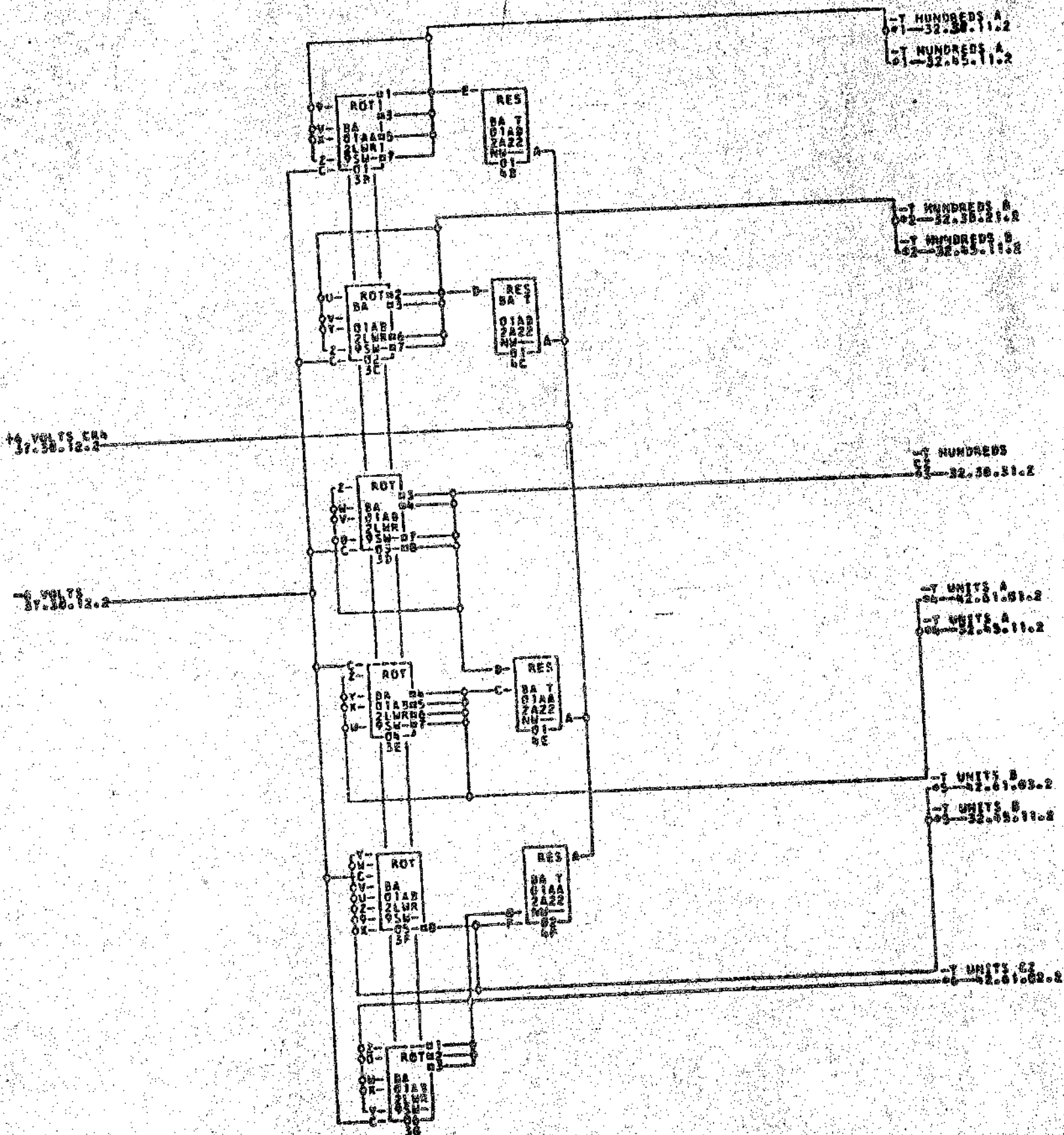


*1-01A2A05C	01A7E26C	*2-01A2A05C	01A8F25C	*3-01A2A05A	01A8F25A
*4-01A2A05A	01A7E26A	*5-01A2A05B	01A7E26B	*6-01A2A05B	01A8F25B
*7-01A2A05F	01A8F25E	*8-01A2A05F	01A7E26F	*9-01A2A05E	01A7E26E
*10-01A2A056	01A7E266	*11-01A2A056	01A7E266	*12-01A2A05D	01A8F25D
*13-01A2A05D	01A7E26D	*14-01A2A05K	01A7E26K	*15-01A2A05H	01A8F25H
*16-01A2A05H	01A7E26H	*17-01A2A05J	01A7E26J	*18-01A2A05J	01A8F25J
*19-01A2A05L	01A8F25L	*18-01A2A05L	*19-01A2A05Q	*19-01A2A05Q	*20-01A2A05P
*20-01A2A05P	*20-01A2A05P	*19-01A2A05M	*20-01A2A05N	*20-01A2A05N	*21-01A2A05N
*21-01A8F25M	*21-01A2A05M	*20-01A7E26P	*21-01A7E26N		

COMMENTS

TAG DATE	E.C.NO.	TAG DATE	E.C.NO.	TAG DATE	E.C.NO.	TAG DATE	E.C.NO.
A 12-14-61	113530	B 01-22-63	114177A				

728709



NOTE	ROT	COMMENTS
1	ROT	...
2	ROT	...
3	ROT	...
4	ROT	...
5	ROT	...
6	ROT	...
7	ROT	...
8	ROT	...
9	ROT	...
10	ROT	...

TAG DATE: A 12-19-61 115530 TAG DATE: B 01-22-63 116172 TAG DATE: C.C.M.D. TAG DATE: E.C.M.D.

X 1815 A 728710

C 10.5.62
TA 1233G

D 16.4.63
TA 1815A

11 POWER ON
RESET
36.11.21.2 *1

11 POWER ON
RESET
37.30.31.2
11 POWER ON
RESET
74.11.81.2

14 POWER ON
RESET
38.11.21.2 *2

14 POWER ON
RESET
37.30.31.2

10 INO TURN OFF
DELTA PROCESS
32.45.31.2 *3

10 INO TURN OFF
DELTA PROCESS
77.30.51.2

14 ADDR X63
70.66.81.2 *4

14 ADDR X63
76.61.11.2

*1—01A2A17L
01A3A22H
01B4A63R

*2—01A2A17M
02A6A11F
01B4E64R

*3—01A2A16R
02B1D01H
02A7A11R

*4—01A2A16D
*6—01A2A17K
02B8D03R

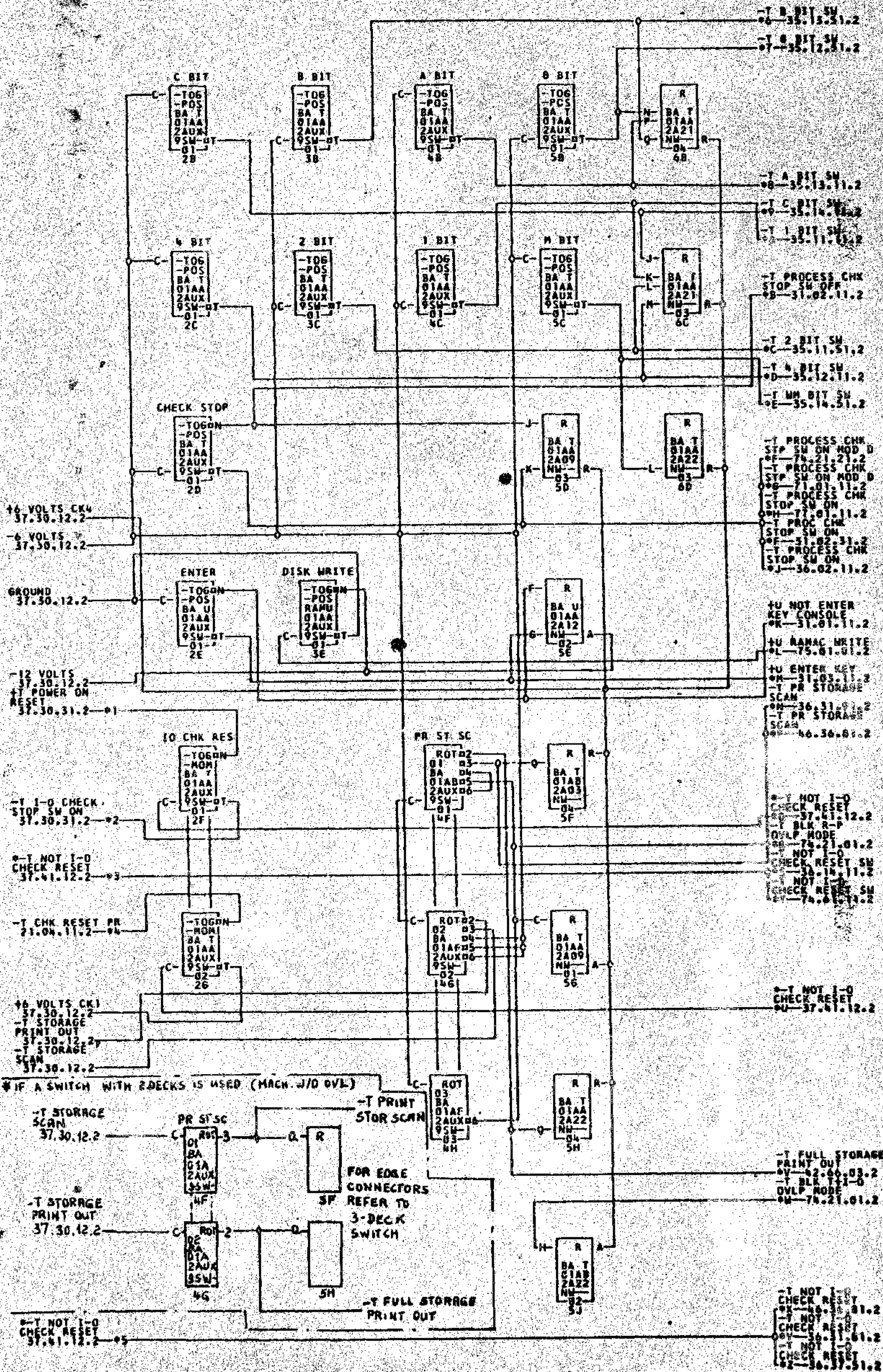
*5—01A2A17J
*7—01A2A230

01A3E24J
*8—01A2A16K

COMMENTS
*1 *2 *3 REFER TO DWG. 480616

TAG DATE	F.C.NO.	TAG DATE	F.C.NO.	TAG DATE	F.C.NO.	TAG DATE	F.C.NO.
A 12-15-61	113530	B 02-12-62	114242	C 03-23-62	114130	D 01-22-63	114177A

M 1815 A 720712



COMMENTS: TO OC RETURN TO -12 V AT 01A2A2NC
 PR ST SC SW AS IS PRESENT ONLY FOR
 PRINT STORAGE OPTION
 WHEN A SIGNAL IS PRECEDED BY AN
 EXPANSION INDICATOR, CABLE
 DRAWING FOR REMOTE RECYCLE CONT. INET.

FIG. NO.	DATE	FIG. NO.	DATE	FIG. NO.	DATE	FIG. NO.	DATE
1	12-15-61	1	01-22-62	1	01-22-62	1	01-22-62
1	08-20-62	1	01-22-62	1	01-22-62	1	01-22-62

1815A 728713/17

*1 01A2A1BR
 *2 01A2A22K
 *3 01A2A19B
 *4 01A2A07R
 *5 01A2A07A
 *6 01A2A17F
 *7 01A2A17D
 *8 01A2A17E
 *9 01A2A17G
 *A 01A2A17A
 *B 01A2A13J
 *C 01A2A17B
 *D 01A2A17C
 *E 01A2A17H
 *F 01A2A13L
 *G 01A2A23N
 *H 01A2A23N
 *J 01A2A19Q
 *K 01A2A13B
 *L 01A2A16R
 *M 01A2A13C
 *N 01A2A07M
 *P 01A2A07M
 *Q 01B8RC30
 *R 01A2A08N
 *S 01A2A19B
 *T 01A2A19B
 *U 01B8RC32
 *V 01A2A08N
 *W 01B1A01Q
 *X 01A2A07A
 *Y 01A2A07A
 *Z 01A2A07A

01B8RC31
 01B8RC33
 01A3E26F
 01A3E26D
 01A3E26E
 01A3E266
 01A3E26A
 01B2F04J
 01A3E26D
 01A3E26C
 01A3E26H
 01B2F04L
 01B7D01P
 02A8C26P
 01B4A03Q
 01B2F04B
 02A0E05A
 01B2F04C
 01A6D26M
 01A6D26M
 01B1A01N
 01B4A03B
 01B4A03B
 01A8C26N
 01B1A01Q
 01A6D26A
 01A6D26A
 01A6D26A

01B2A05P

02A0A19C

02B1E01P

02A0E23J

B26G

01A6C24G

01A5B24G

01B1A03L

02A0F10A

02B1B03M

01B4E04F

02A9A11A

02B0D03F

01A8C26N

01A8B25E

04B7A15E

01B1C03F

02A0E20B

02B1B03N

01A6C24E

01A5B24E B26E

01A6B25F

01B5A24F

E 8.2.63
 TA 168485
 F 16.4.63
 TA 1815A

COMMENTS
 *9 TO *C RETURN TO -12 V AT 01A2A24C
 PH ST SCN SW WF IS PRESENT ONLY FOR
 PRINT STORAGE OPTION
 WHEN A SIGNAL IS PRECEDED BY AN
 ASTERISK, ITS EXPANSION INDICATES CABLE
 WIRING FOR REMOTE RECYCLE CONT. INST.

TAG DATE	FIC NO.	TAG DATE	FIC NO.	TAG DATE	FIC NO.	TAG DATE	FIC NO.
A 12-15-61	113530	B 01-29-62	113839	C 04-04-62	114133	D 05-03-62	114167
E 09-20-62	114166	F 01-22-63	114177A				

728713/1

0728714

C E PANEL SYNC POINTS

1401 BA

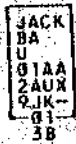
37.31.21.2

TAG DATE

B 2.7.62
TA 1370A

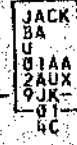
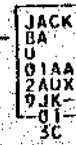
C 16.4.63
RTA 1815A

+U DELTA OVRLAP
CYCLE
74.31.21.2 - *1



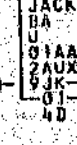
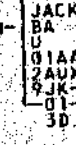
+U PROCESS
CHECK
31.09.11.2 - *2

+U ADDR STOP
COMP SYNC
32.45.31.2 - *3



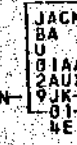
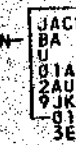
+U START LAT
31.01.11.2 - *4

+U TIME 000-010
31.12.51.2 - *5



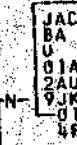
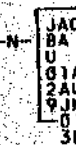
+U GATED READ
SCAN
36.11.11.2 - *6

+U GATED PUNCH
SCAN
36.22.11.2 - *7



+U READ FEED TR
36.10.11.2 - *8

+U PUNCH FEED
TR
36.24.11.2 - *9



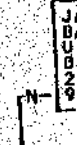
+U NOT FIRST
SCAN
36.35.11.2 - *A

+U NOT PR XFER
COMP
36.31.51.2 - *B



-I STOP CLOCK
31.10.11.2

+U DELTA
PROCESS
32.31.31.2 - *C



+U IN 1
32.41.31.2

-I OUT
32.41.31.2 - *D



+U IN 2
32.41.31.2

- *1-01A2A07R
- *2-01A2A170
- *3-01A2A10L
- *4-01A2A11R
- *5-01A2A08P
- *6-01A2A10D
- *7-01A2A19E
- *8-01A2A190
- *9-01A2A19N
- *A-01A2A07P
- *B-01A2A07N
- *C-01A2A070
- *D-01A2A19E
- *E-01A2A18M
- *F-01B3F02M
- *P-01A2A02A
- *Q-01ABC26A
- *R-01A2A02R

COMMENTS

TAG DATE E.C.NO. TAG DATE E.C.NO. TAG DATE E.C.NO. TAG DATE E.C.NO.

A 12-15-61 113530 B 04-04-62 114133 C 01-22-63 114177A

1815 A 728714

0789945

STERLING CODE SWITCH

1081SBA

37.90.21.1

A

A

B

B

C

C

D

D

E

E

F

F

G

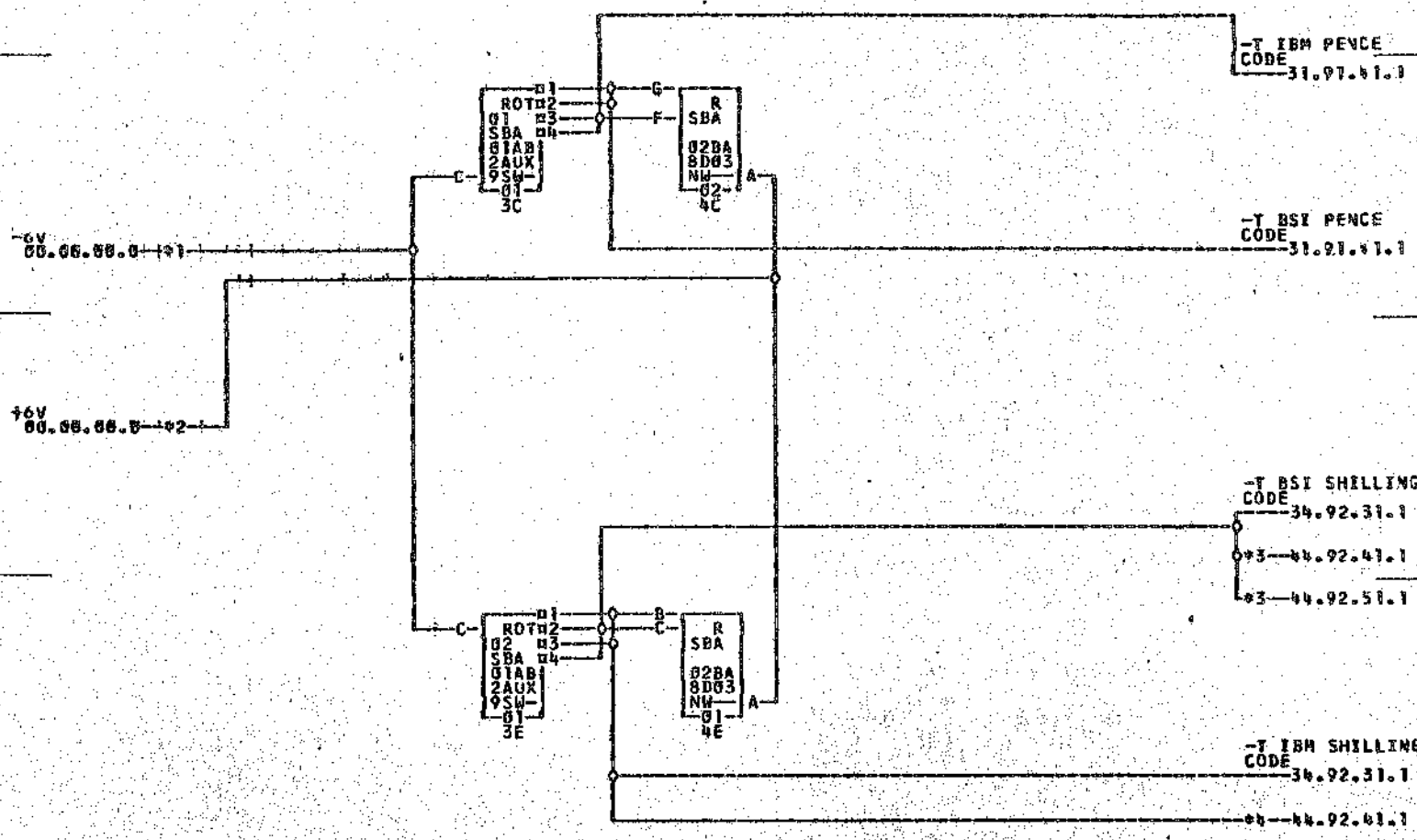
G

H

H

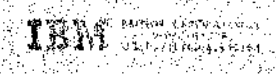
J

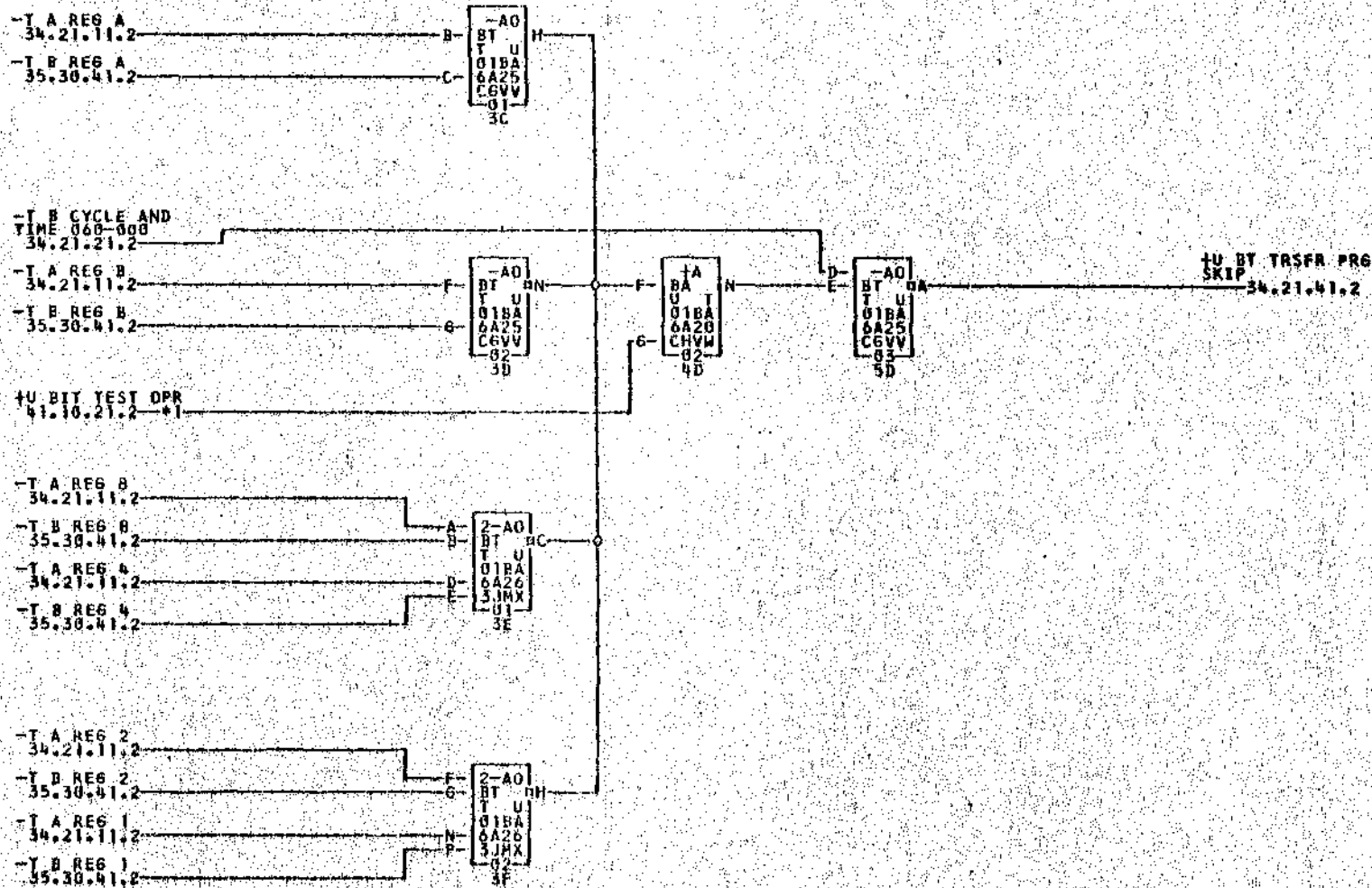
J



*1-0280D4K *2-0280D4L *3-0280A1A 0287F02A 0287F02E 02A7F25E
 04-0280A1B 0287F02B 0287F02R 02A7F25K

COMMENTS	TAG DATE	E.C. NO.	TAG DATE	E.C. NO.	TAG DATE	E.C. NO.	TAG DATE	E.C. NO.
	A	04-02-63	TA1087	B	04-11-63	TA1087B		





41-01B6D01J

729194

COMMENTS

TAG DATE	E.C.NO.	TAG DATE	E.C.NO.	TAG DATE	E.C.NO.	TAG DATE	E.C.NO.
A 12-18-61	113530	B 12-11-62	114178				

A 28.5.62
TA 1344

B 16.4.63
TA 1815A

-T OP DECODE A
NOT B
35.22.11.2
-T OP DECODE W2
NOT B1
35.23.21.2



4U BIT TEST OPR
41-31.05.11.2
4U BIT TEST OPR
35.20.21.2
4U BIT TEST OPR
02-35.18.11.2
4U BIT TEST OPR
45-41.10.11.2

Umbau Punkt + Formas Netz

*1-0101001D

*2-0101002P

*3-0101002J

COMMENTS

TAG DATE E.C.NO. TAG DATE E.C.NO. TAG DATE E.C.NO. TAG DATE E.C.NO.

A 12-04-61 5:22492 B 01-14-63 5:18188

724639

#129035

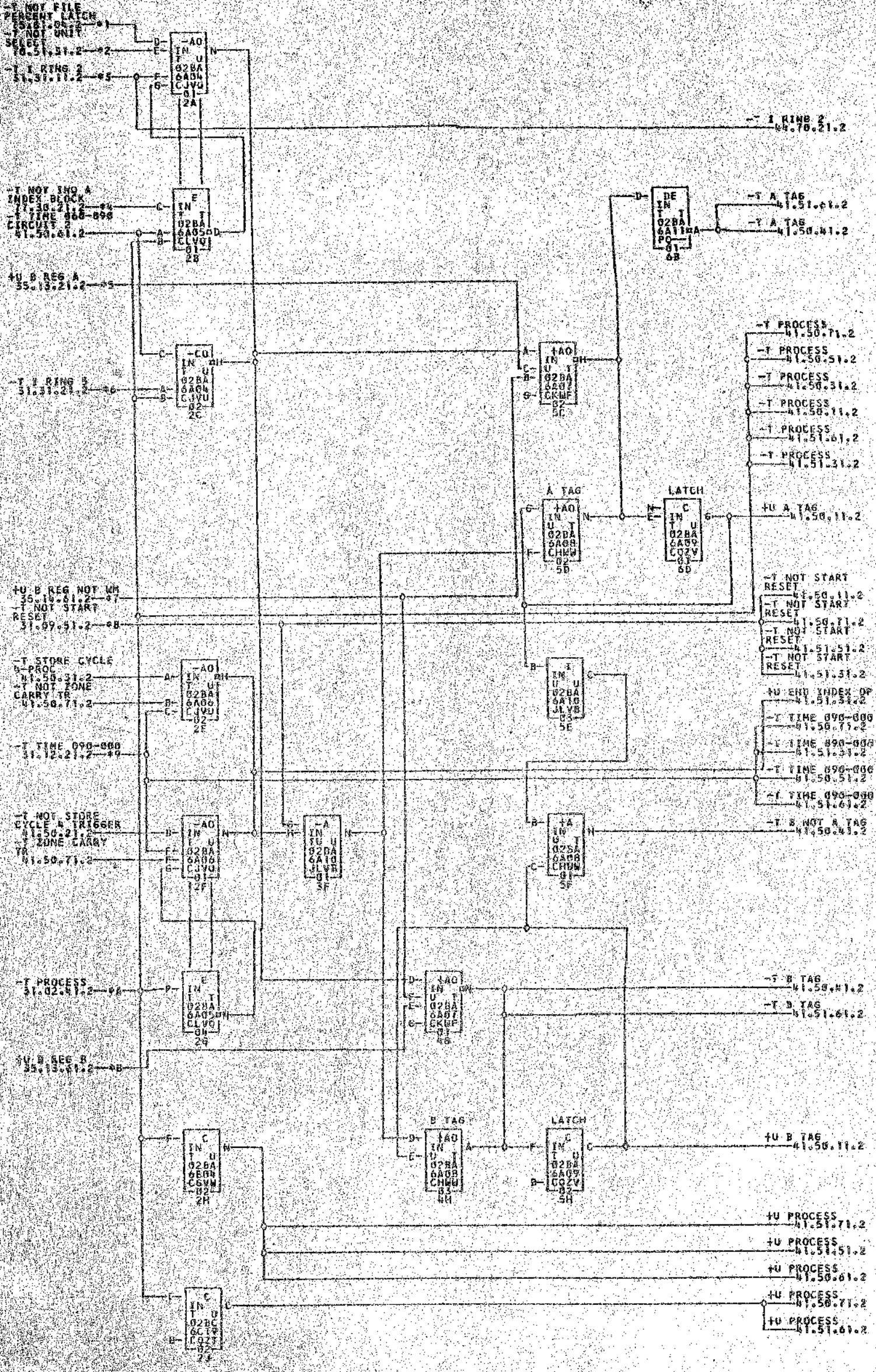
INDEX TAG LATCHES

1A01 IN 41.50.01.2

TAG DATE

C 20.9.62
TA 1441D

D 5.3.63
TA 1771A



- *1-02B0C03L
- *2-02B0E01E
- *3-02B0601E
- *4-02B0605N
- *5-02B0601A
- *6-02B0601E
- *7-02B0601E
- *8-02B0601C
- *9-02B0603D
- *A-02B0C03K
- *B-02B0C03K
- *C-02B0601E
- *D-02B0601E
- *E-02B0601E
- *F-02B0601E
- *G-02B0601E
- *H-02B0601E
- *I-02B0601E
- *J-02B0601E
- *K-02B0601E
- *L-02B0601E
- *M-02B0601E
- *N-02B0601E
- *O-02B0601E
- *P-02B0601E
- *Q-02B0601E
- *R-02B0601E
- *S-02B0601E
- *T-02B0601E
- *U-02B0601E
- *V-02B0601E
- *W-02B0601E
- *X-02B0601E
- *Y-02B0601E
- *Z-02B0601E

COMMENTS TAG DATE: F.C.NO. TAG DATE: F.C.NO. TAG DATE: F.C.NO. TAG DATE: F.C.NO.
 A 01-23-62 110530 B 03-23-62 110123 C 07-04-62 110150 D 12-13-62 110174

1771A
729035

0729036

STORE INDEX CYCLE TRIG GATES

1807 IN

01.50.11.2

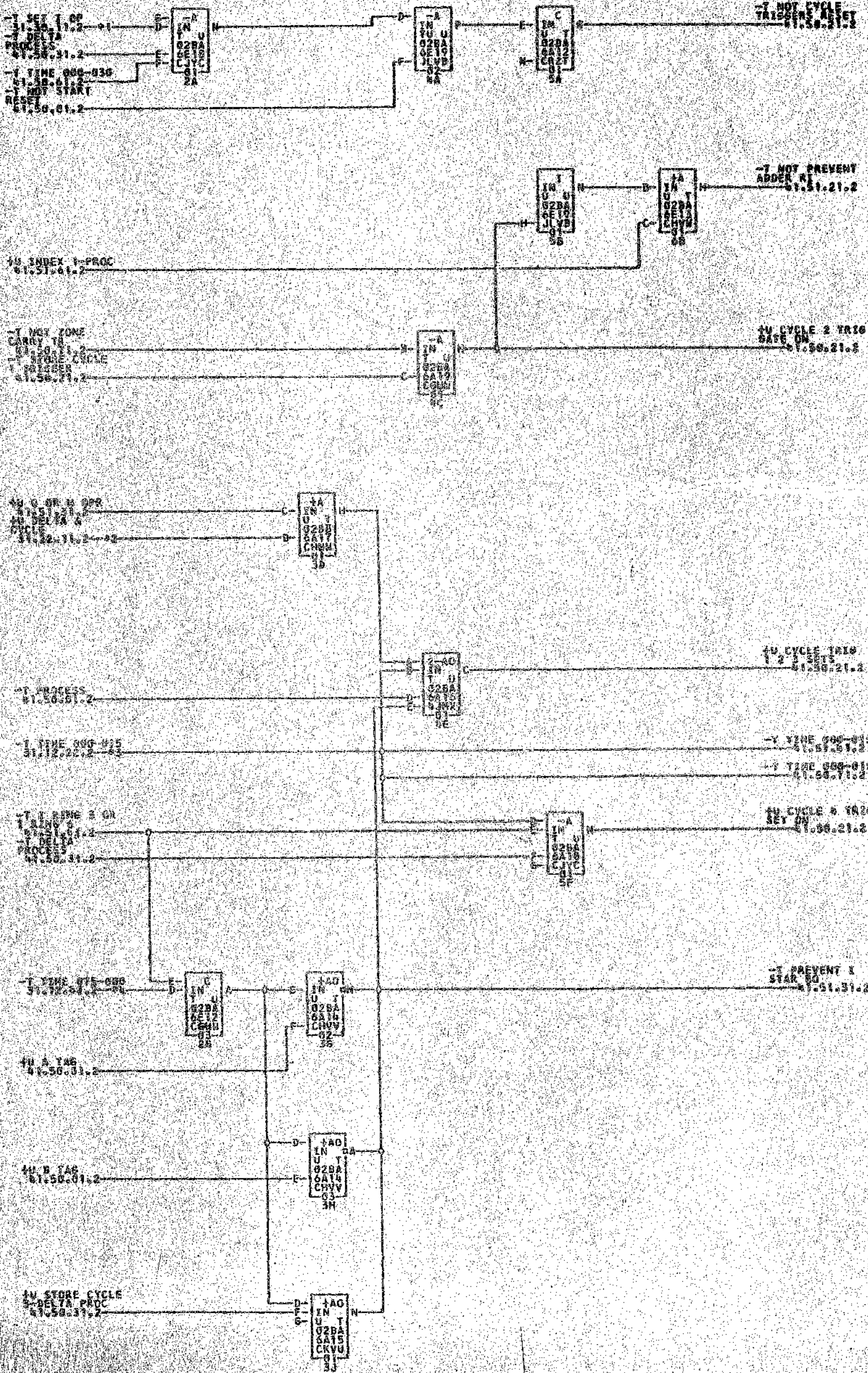
TAG DATE

B 29.6.62

TA 1370

C 5.3.63

TA 1771A

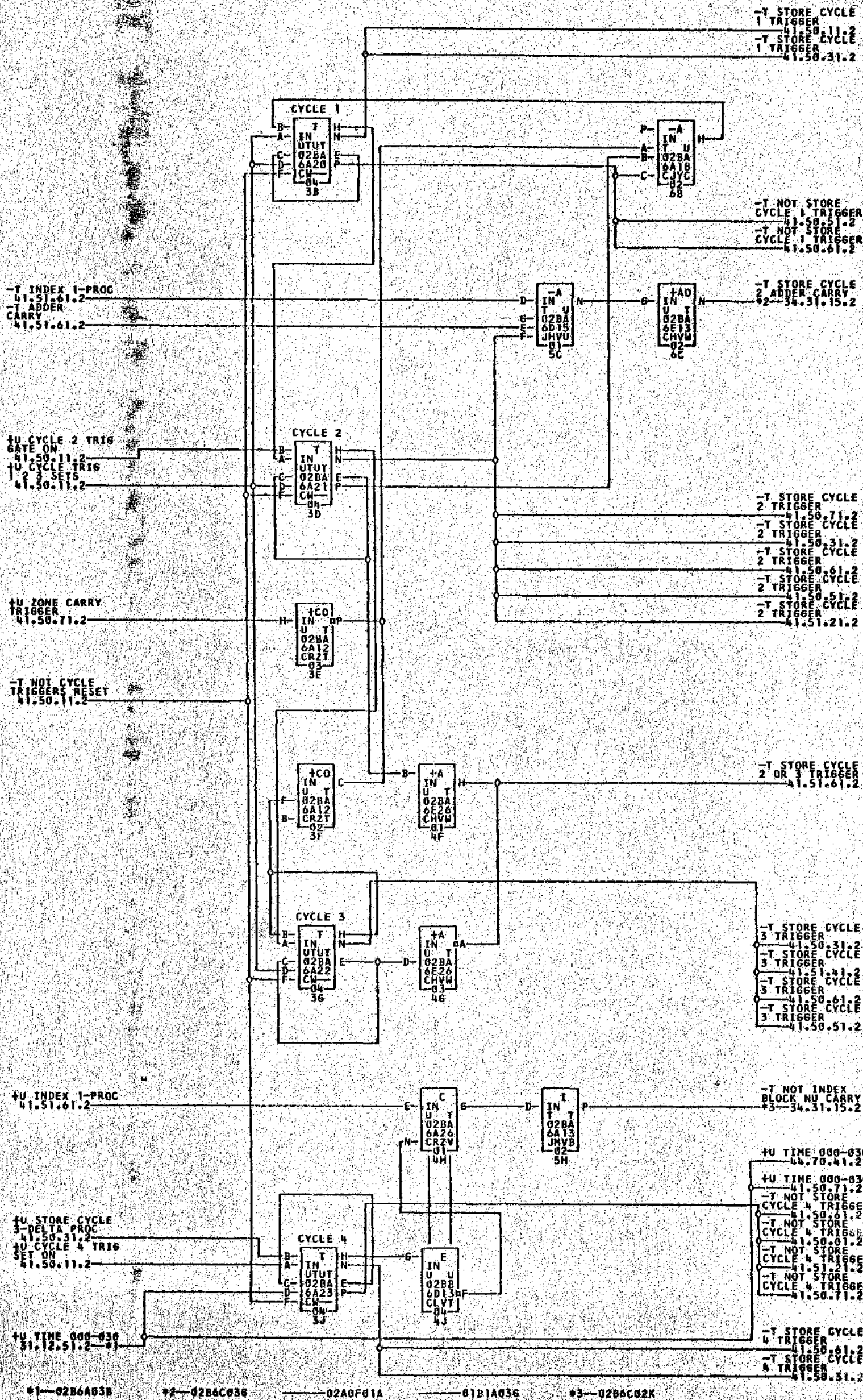


01-0286601E 02-0286601J 03-0286605E 04-0286603F

COMMENTS TAG DATE E.C.NO. TAG DATE E.C.NO. TAG DATE E.C.NO. TAG DATE E.C.NO.

A 01-23-62 113838 B 01-23-62 116129 C 02-13-62 118174

729036



-T INDEX 1-PROC
41.51.61.2
-T ADDER
CARRY
41.51.61.2

+U CYCLE 2 TRIG
GATE ON
41.50.11.2
+U CYCLE TRIG
1 2 3 SETS
41.50.11.2

+U ZONE CARRY
TRIGGER
41.50.71.2

-T NOT CYCLE
TRIGGERS RESET
41.50.11.2

+U INDEX 1-PROC
41.51.61.2

+U STORE CYCLE
3-DELTA PROC
41.50.31.2
+U CYCLE 4 TRIG
SET ON
41.50.11.2

+U TIME 000-030
41.12.51.2

#1-02B6A03B

#2-02B6C036

#3-02A0F01A

#4-01B1A036

#5-02B6C02K

-T STORE CYCLE
1 TRIGGER
41.50.11.2
-T STORE CYCLE
1 TRIGGER
41.50.31.2

-T NOT STORE
CYCLE 1 TRIGGER
41.50.51.2
-T NOT STORE
CYCLE 1 TRIGGER
41.50.61.2

-T STORE CYCLE
2 ADDER CARRY
42-34.31.15.2

-T STORE CYCLE
2 TRIGGER
41.50.71.2
-T STORE CYCLE
2 TRIGGER
41.50.31.2
-T STORE CYCLE
2 TRIGGER
41.50.61.2
-T STORE CYCLE
2 TRIGGER
41.50.51.2
-T STORE CYCLE
2 TRIGGER
41.51.21.2

-T STORE CYCLE
2 OR 3 TRIGGER
41.51.61.2

-T STORE CYCLE
3 TRIGGER
41.50.31.2
-T STORE CYCLE
3 TRIGGER
41.51.61.2
-T STORE CYCLE
3 TRIGGER
41.50.61.2
-T STORE CYCLE
3 TRIGGER
41.50.51.2

-T NOT INDEX
BLOCK NU CARRY
43-34.31.15.2

+U TIME 000-030
44.70.41.2
+U TIME 000-030
41.50.71.2
-T NOT STORE
CYCLE 4 TRIGGER
41.50.61.2
-T NOT STORE
CYCLE 4 TRIGGER
41.50.61.2
-T NOT STORE
CYCLE 4 TRIGGER
41.51.21.2
-T NOT STORE
CYCLE 4 TRIGGER
41.50.11.2

-T STORE CYCLE
4 TRIGGER
41.50.61.2
-T STORE CYCLE
4 TRIGGER
41.50.31.2

B 30.8.62
TA 1441
C 5.3.63
TA 1771A

-T STORE CYCLE
1 TRIGGER
41.50.21.2



+U STORE CYCLE
1-DELTA PROC
41.50.71.2
+U STORE CYCLE
1-DELTA PROC
41.50.51.2
+U STORE CYCLE
1-DELTA PROC
41.50.81.2

+U NOT ZONE
CARRY TR
41.50.71.2



-T NOT CARRY TR
AND STORE CY
41.51.81.2
-T NOT CARRY TR
AND STORE CY
41.50.41.2

-T STORE CYCLE
2 TRIGGER
41.50.21.2



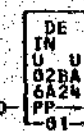
+U STORE CYCLE
2-DELTA PROC
41.50.81.2
+U DELTA
PROCESS
41.51.81.2
+U DELTA
PROCESS
41.51.31.2
+U DELTA
PROCESS
41.50.71.2
+U DELTA
PROCESS
41.51.71.2

+U DELTA
PROCESS
51.02.11.2



-T STORE CYCLE
2-DELTA PROC
41.50.41.2
-T STORE CYCLE
2-DELTA PROC
41.50.51.2
-T DELTA
PROCESS
41.51.81.2
-T DELTA
PROCESS
41.51.51.2
-T DELTA
PROCESS
41.51.31.2
-T DELTA
PROCESS
41.50.61.2
-T DELTA
PROCESS
41.50.11.2
-T DELTA
PROCESS
41.50.11.2

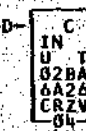
-T STORE CYCLE
3 TRIGGER
41.50.21.2



+U STORE CYCLE
3-DELTA PROC
41.50.11.2
+U STORE CYCLE
3-DELTA PROC
41.50.71.2
+U STORE CYCLE
3-DELTA PROC
41.50.81.2
+U STORE CYCLE
3-DELTA PROC
41.50.21.2

-T STORE CYCLE
4 TRIGGER
41.50.21.2

-T PROCESS
41.50.01.2



-T STORE CYCLE
3-DELTA PROC
41.50.41.2
-T STORE CYCLE
3-DELTA PROC
41.50.51.2

-T STORE CYCLE
4-PROC
41.50.51.2
-T STORE CYCLE
4-PROC
41.50.81.2
-T STORE CYCLE
4-PROC
41.50.71.2

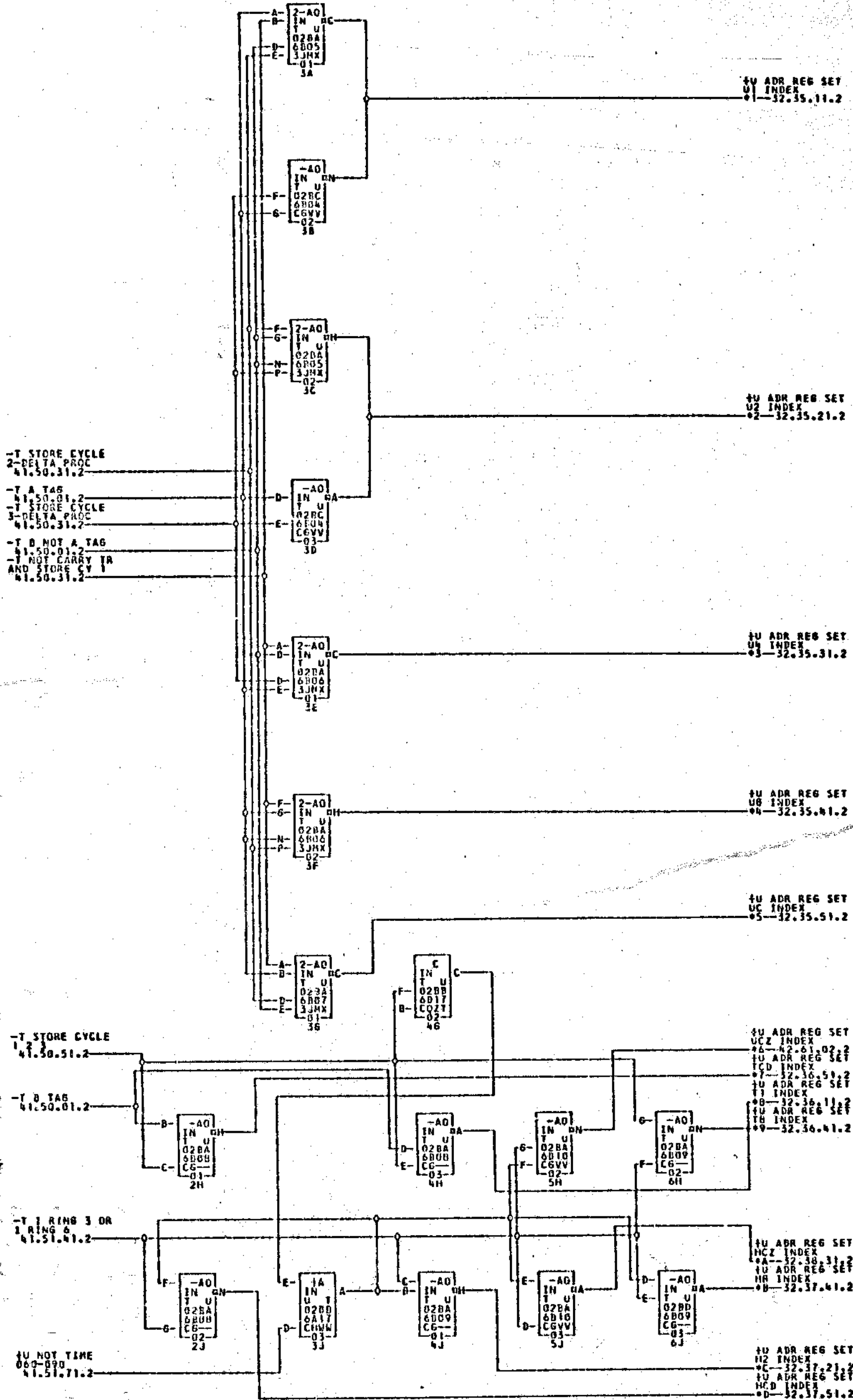
+U STORE CYCLE
4-PROC
41.51.81.2

#1-02B6A61H

729038

COMMENTS

TAG DATE E.C.NO. TAG DATE E.C.NO. TAG DATE E.C.NO. TAG DATE E.C.NO.
A 01-23-62 113830 B 06-04-62 114140 C 12-13-62 114176



- | | | | | | |
|-------------|---------------|---------------|-------------|---------------|---------------|
| *1-02B6D02A | -----J2A9B01A | -----01A7A24A | *2-02B6D02B | -----02A9B03A | -----01A7A24B |
| *3-02B6D02C | -----02A9B05A | -----01A7A24C | *4-02B6D02D | -----02A9B07A | -----01A7A24D |
| *5-02B6D02E | -----02A9B09A | -----01A7A24E | *6-02B6D02F | -----02A9B09E | -----01A7A24F |
| *7-02B6D02G | -----02A9B11A | -----01A7A24G | *8-02B6D02H | -----02A9B11A | -----01A7A24H |
| *9-02B6D02J | -----02A9B17A | -----01A7A24J | *A-02B6D02R | -----02A9C11A | -----01A7A24R |
| *B-02B6D02P | -----02A9C07A | -----01A7A24P | *C-02B6D02H | -----02AVC03A | -----01A7A24H |
| *D-02B6D02Q | -----02A9C09A | -----01A7A24Q | | | |

COMMENTS

TAG DATE	E.C.NO.	TAG DATE	E.C.NO.	TAG DATE	E.C.NO.	TAG DATE	E.C.NO.
A 01-23-62 113830		B 03-23-62 114129		C 06-04-62 114166		D 12-13-62 114176	
E 07-11-63 113972							

729039

19901A

0729040

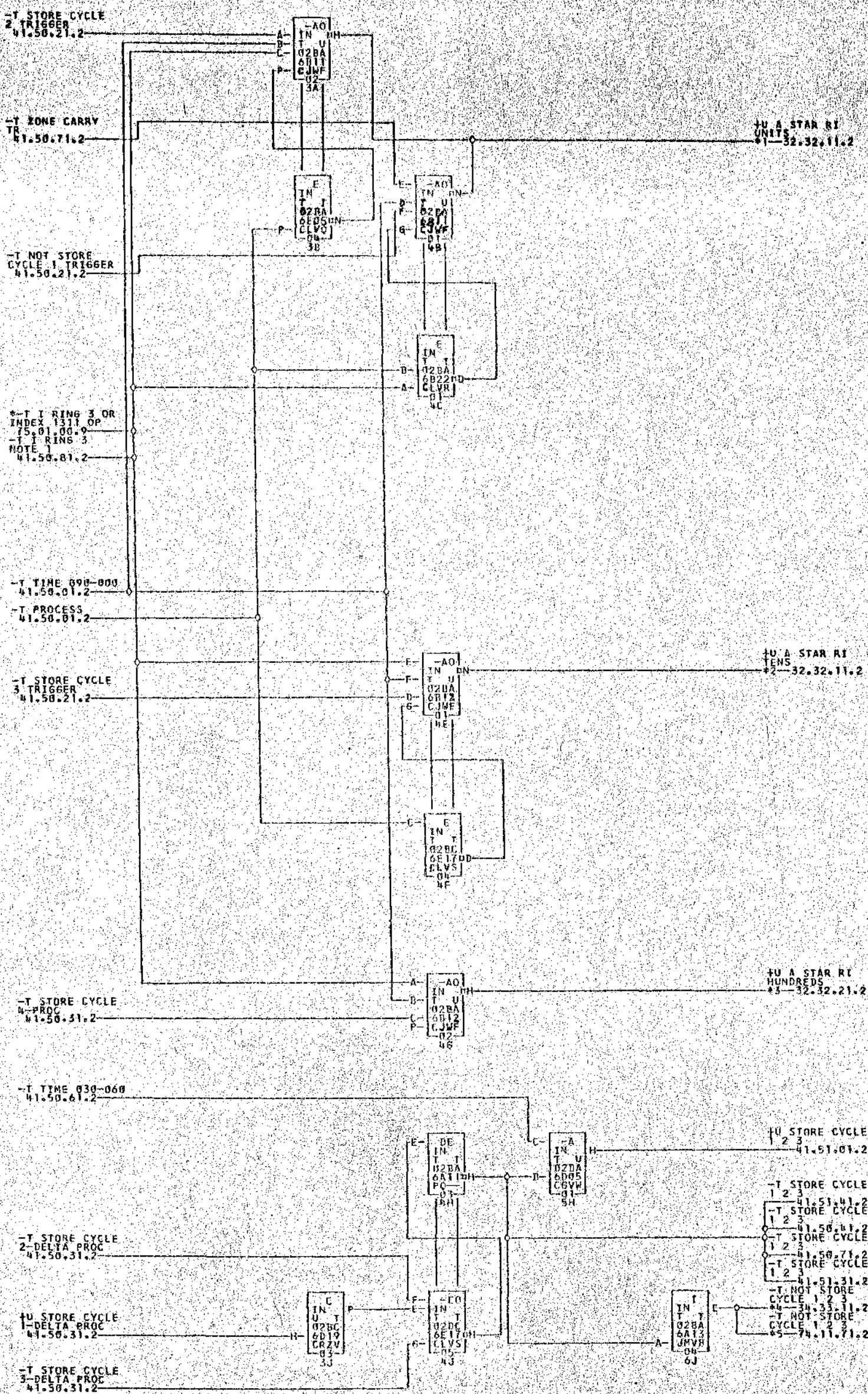
A STAR READ IN + STORE CYCLE 1 2 3

1401 IN 41.50.51.2

TAG DATE

B 29.6.62
TA 1370

C 5.8.63
TA 1771A

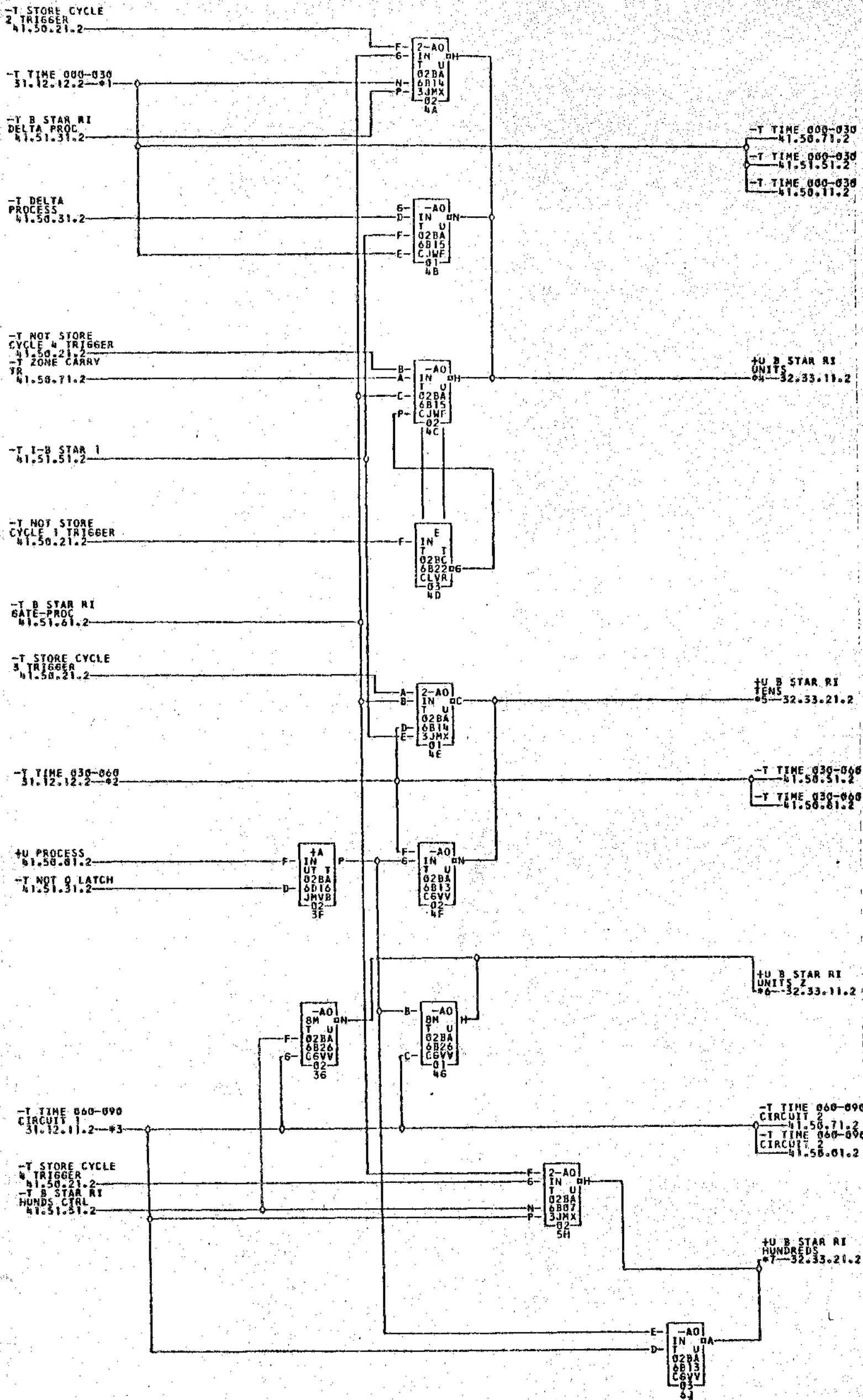


- *1-02B6B02K 02A9B19B 01A7B24K *2-02H6B02I 02A9C01B 01A7B24L
- *3-02B6B02M 02A9C03B 01A7B24M *4-02H6C02J 02A9E05C 01B3H03J
- *5-02B6C02J

COMMENTS
 NOTE 1 I RING 3 SIGNAL FROM 41.50.01.2 REMOVED WITH 1311 FEATURE ATTACHED
 NOTE 2 ASTERISK PRECEDING SIGNAL INDICATES DIRECT CABLE EXPANSION

TAG DATE	E.C.NO.	TAG DATE	E.C.NO.	TAG DATE	E.C.NO.	TAG DATE	E.C.NO.
A 01-23-62	113950	B 03-23-62	114129	C 12-13-62	114176		

1771A
729040



- *1--02B6A036
- *2--02B6A03H
- *3--02B6A03J
- *4--02B6B02C
- 02A9B05B
- 01A7B24C
- *5--02B6B02D
- 02A9B07B
- 01A7B24D
- *6--02B6E02K
- 02A9B19E
- 01A7B24E
- *7--02B6B02E
- 02A9B09B
-
-

1771
729041

-T TIME 060-070
CIRCUIT 2
41.50.61.2

FILE DOWN NOTE 1
00.00.00.0

1U STORE CYCLE
3-DELTA PROC
41.50.51.2

-T NOT START
RESEY
41.50.01.2

-T STORE CYCLE
1-2
41.50.51.2
1U DELTA
PROCESS
41.50.11.2

-T TIME 000-050
41.50.01.2
1U STORE CYCLE
1-DELTA PROC
41.50.31.2

1U TIME 000-030
41.50.21.2

-T TIME 000-015
41.50.11.2

1U TIME 090-000
41.51.21.2

1U PROCESS
41.50.01.2

-T ZONE ADDER B
41.51.21.2
-T NOT STORE
CYCLE 4 TRIGGER
41.50.21.2

-T STORE CYCLE
4-PRO
41.50.31.2
-T ZONE ADDER
CARRY
50.33.11.2

1U I RING 116
41.51.41.2

-T I ZONE BIT
41.51.21.2

-T TIME 090-000
41.50.01.2

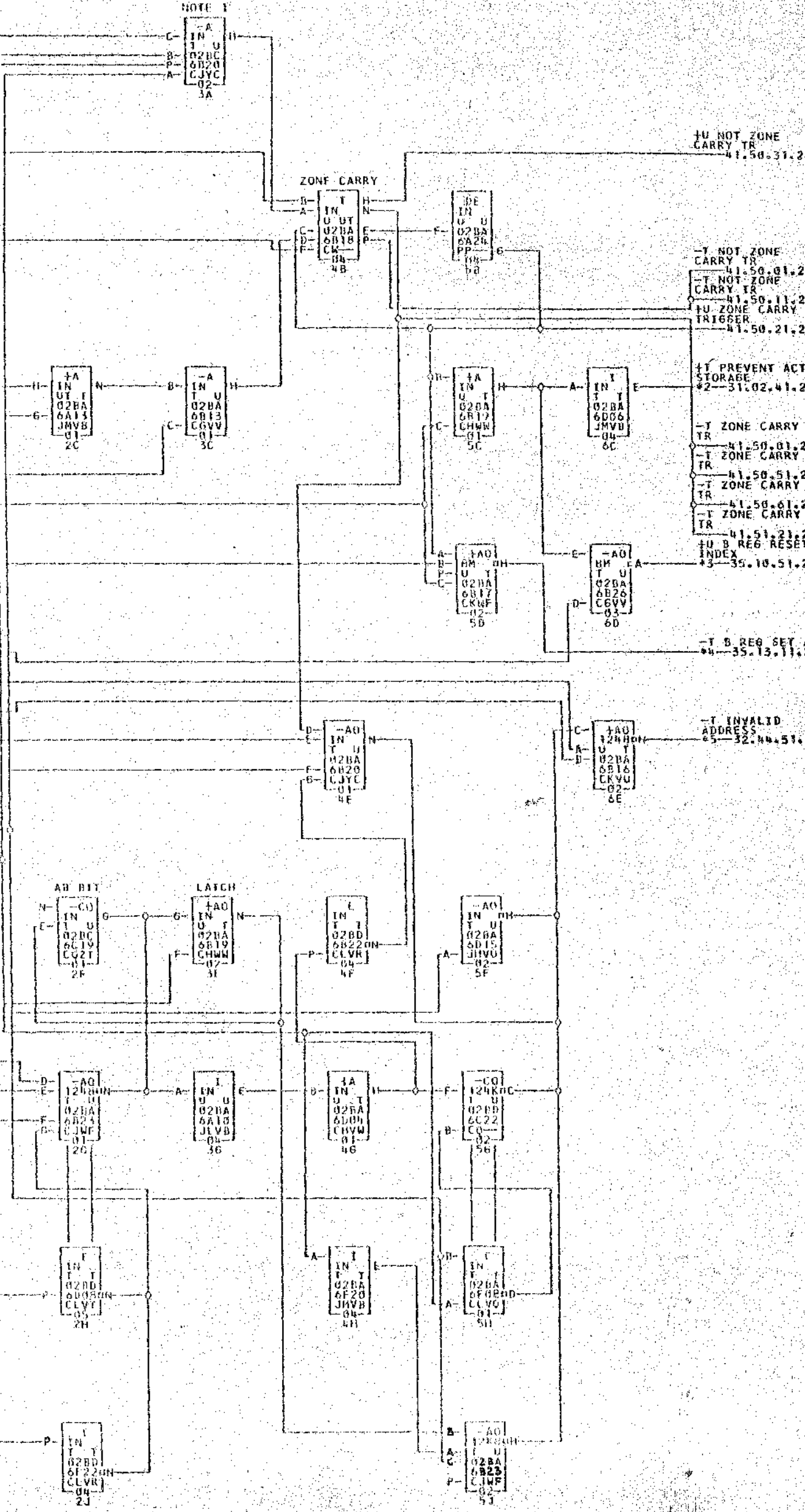
-T ZONE ADDER A
41.51.21.2

-T ZONE ADDER B
41.51.21.2

-T STORE CYCLE
2 TRIGGER
41.50.21.2

-T PROCESS
41.50.01.2

NOTE 1



- *1-02B6C02R
01A3F23L
01A8C24L
- *2-02B6A02N
*4-02B6B03M
- 02A0P19E
02A0D17C
- 01B2A02N
01A3F23M
- *3-02B6B03L
*5-02B6E02L
- 02A0D15C
02A0C01F

729042
1990C

0729043

INDEX A AND B STAR GATES

1401 IN

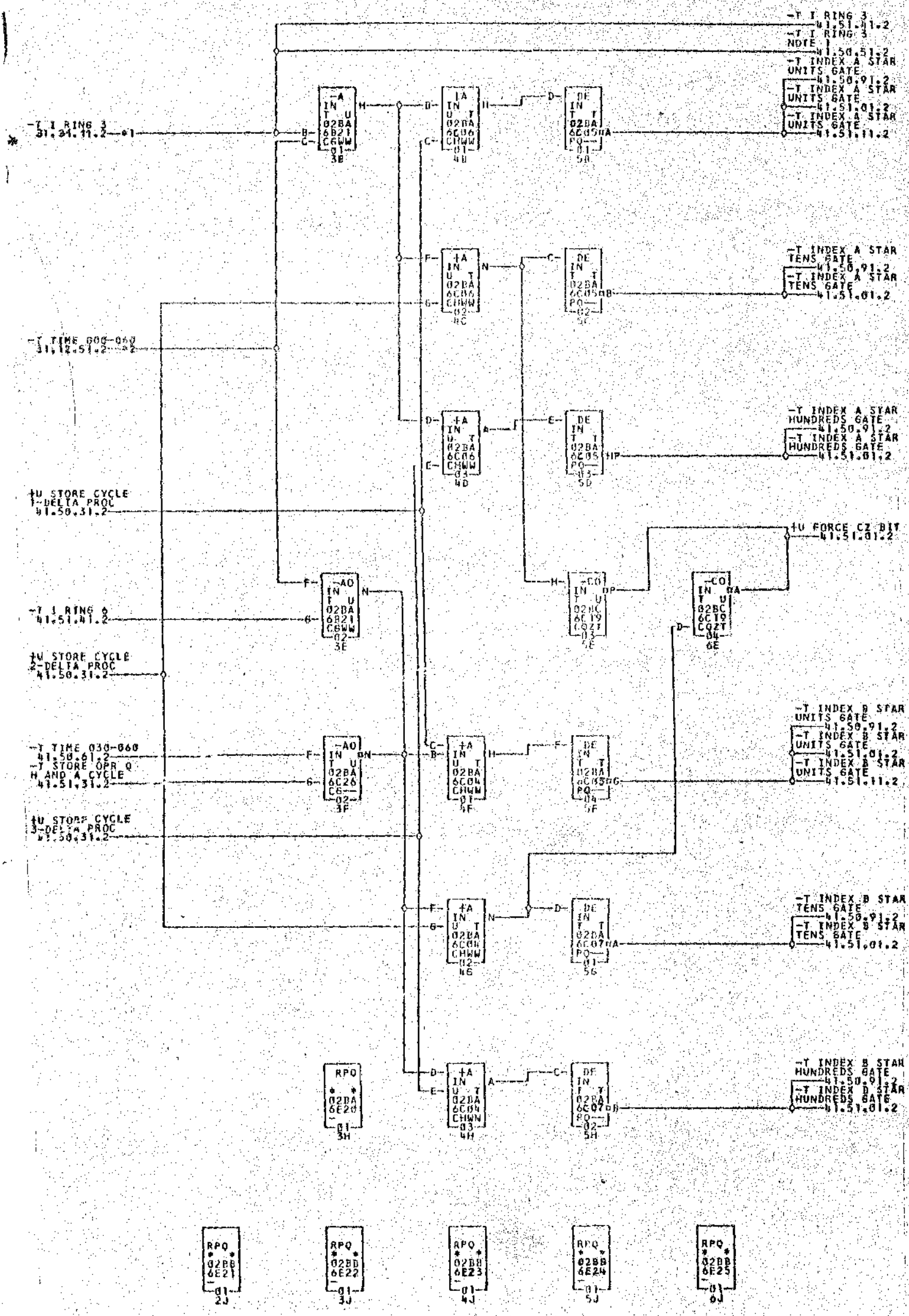
41.50.91.2

TAG DATE

C 90.9.62
TA 1441D

D 6.3.63
TA 1771A

* 17.9.63
TA 1771E



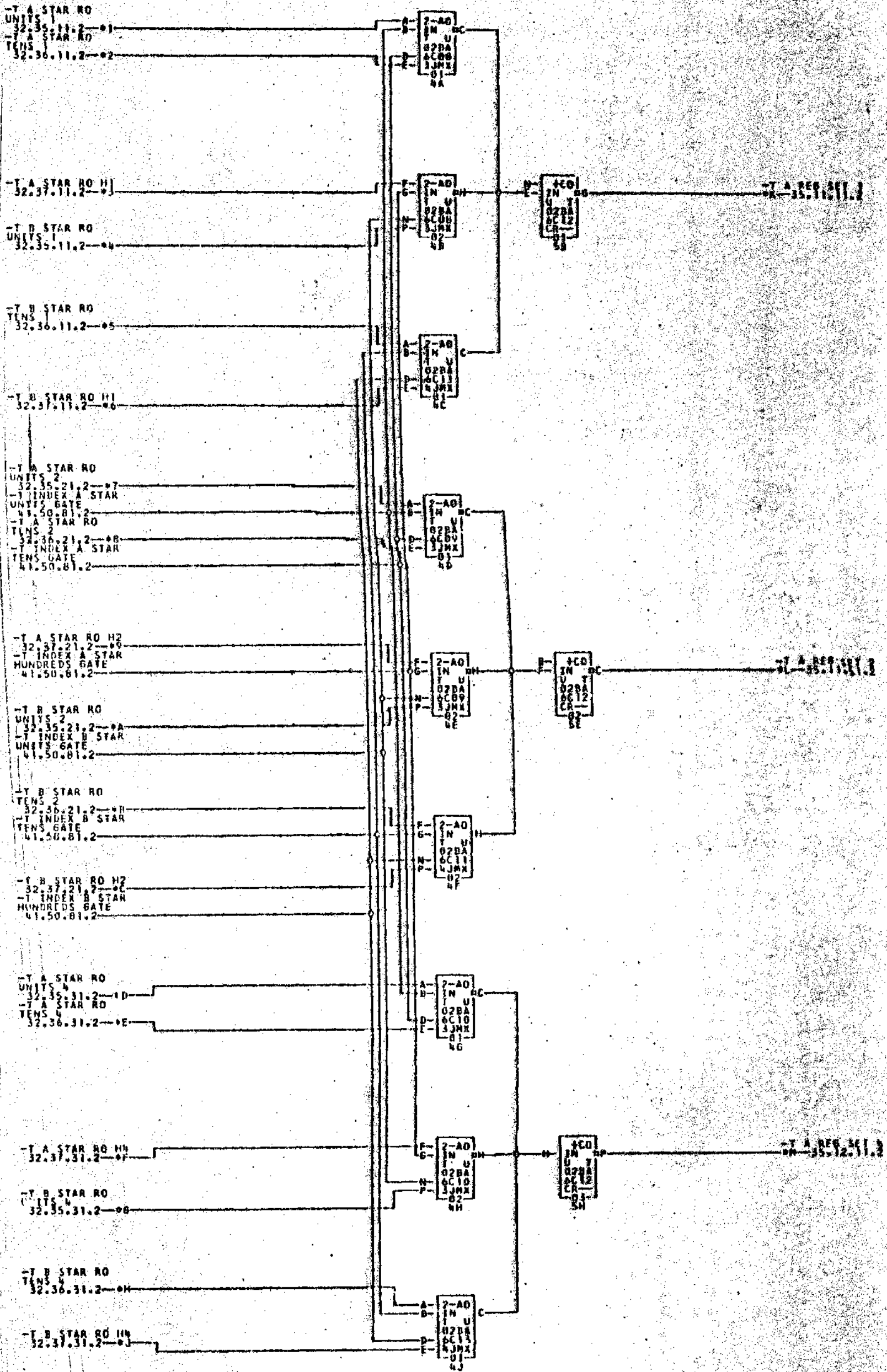
*1-02B6A01D *2-02B6C03Q

729043

FIG	TAG DATE	F.C. NO.	COMMENTS	TAG DATE	F.C. NO.	COMMENTS	TAG DATE	F.C. NO.	COMMENTS	TAG DATE	F.C. NO.	COMMENTS
1	01-23-62	115838	INDEX A AND B STAR GATES	05-10-62	114137	INDEX A AND B STAR GATES	07-06-62	116159	INDEX A AND B STAR GATES	12-14-62	116198	INDEX A AND B STAR GATES

A 28.4.62
TA 1233D

B 5.3.63
TA 1771A

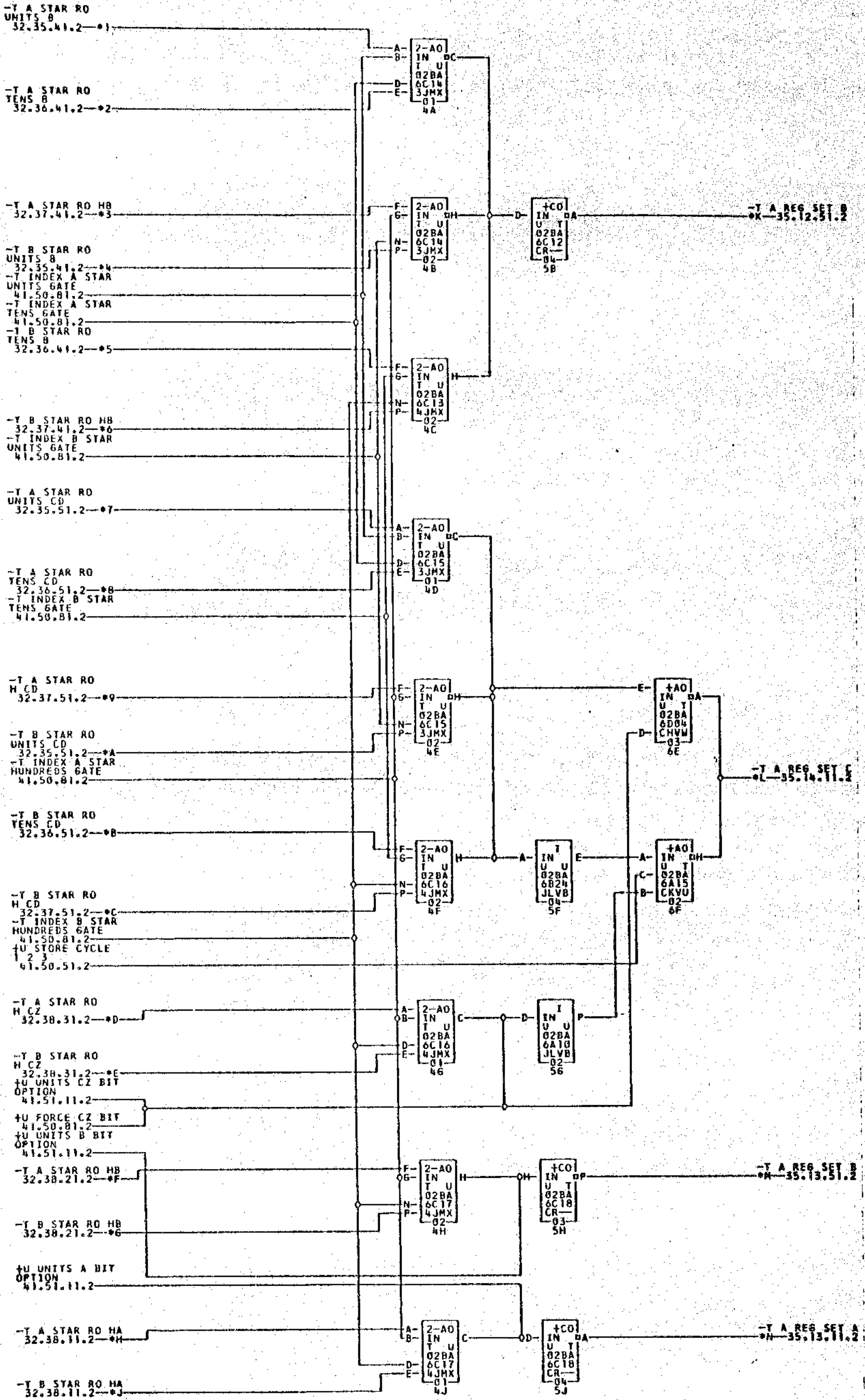


- *1-0286D01C
- *2-0286D01B
- *3-0286D01A
- *4-0286D01D
- *5-0286D01C
- *6-0286D01B
- *7-0286D01A
- *8-0286D01D
- *9-0286D01C
- *A-0286D01B
- *B-0286D01A
- *C-0286D01D
- *D-0286D01C
- *E-0286D01B
- *F-0286D01A
- *G-0286D01D
- *H-0286D01C
- *I-0286D01B
- *J-0286D01A
- *K-0286D01D
- *L-0286D01C
- *M-0286D01B
- *N-0286D01A
- *O-0286D01D
- *P-0286D01C
- *Q-0286D01B
- *R-0286D01A
- *S-0286D01D
- *T-0286D01C
- *U-0286D01B
- *V-0286D01A
- *W-0286D01D
- *X-0286D01C
- *Y-0286D01B
- *Z-0286D01A

COMMENTS

TAG DATE	E.C.NO.	TAG DATE	E.C.NO.	TAG DATE	E.C.NO.	TAG DATE	E.C.NO.
A 01-23-62	113030	B 12-13-62	116176				

729044

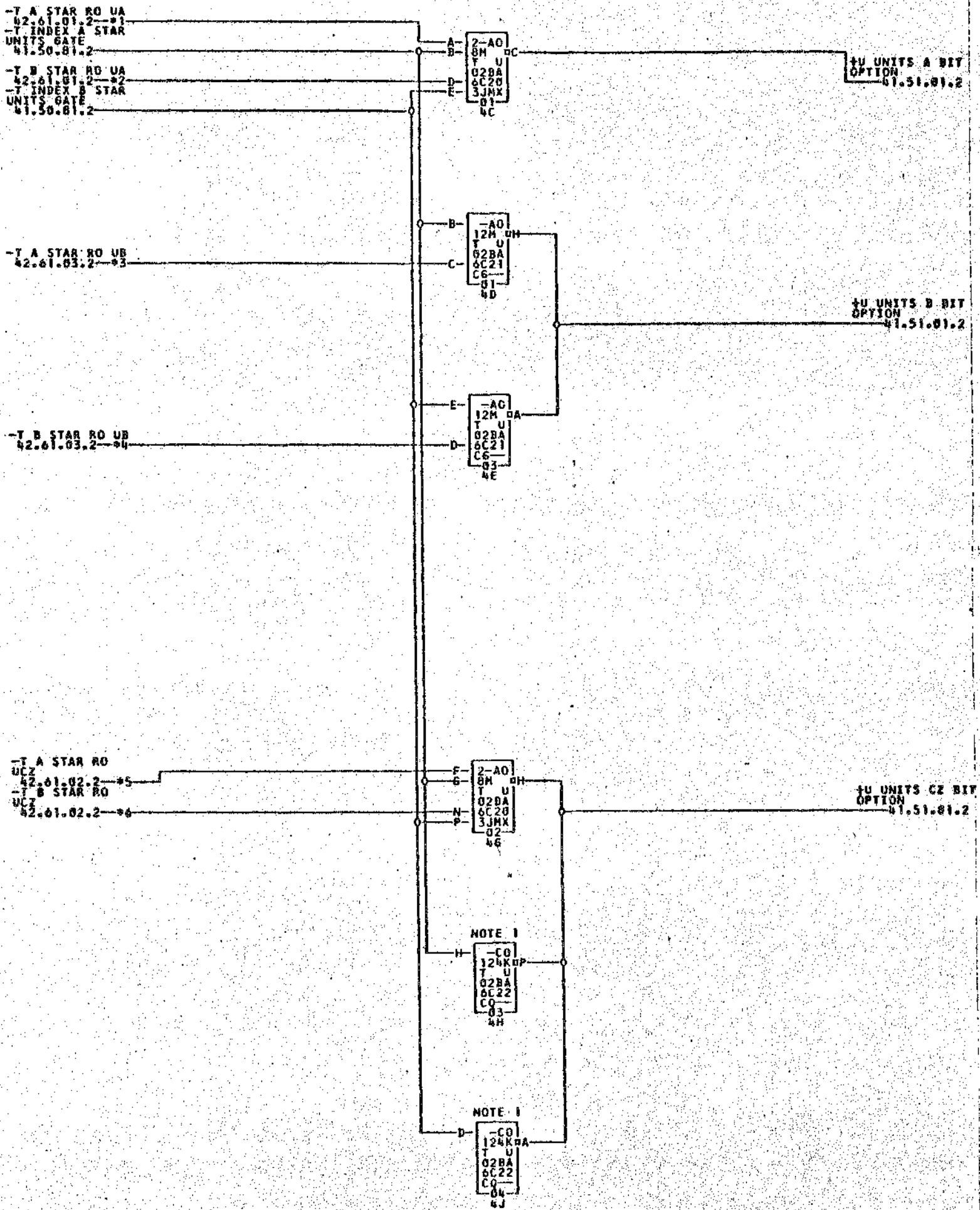


- *1—02B6D01M *2—02B6D01L *3—02B6D01K *4—02B6D01N *5—02B6D01M *6—02B6D01L
- *7—02B6D01Q *8—02B6D01P *9—02B6D01N *A—02B6D01R *B—02B6D01Q *C—02B6D01P
- *D—02B6D01A *E—02B6E01J *F—02B6B02R *G—02B6B02B *H—02B6D01M *J—02B6B02A
- *K—02B6B03D *L—02A0D01C *M—01A3F23D *N—02B6B03E *O—02A0D01C *P—01A3F23E

729045

A 28.4.62
TA 1233D

B 5.3.63
TA 1771A



- *1-02B6E02A
- *2-02B6E02B
- *3-02B6E02E
- *4-02B6E02F
- *5-02B6E02C
- *6-02B6E02D

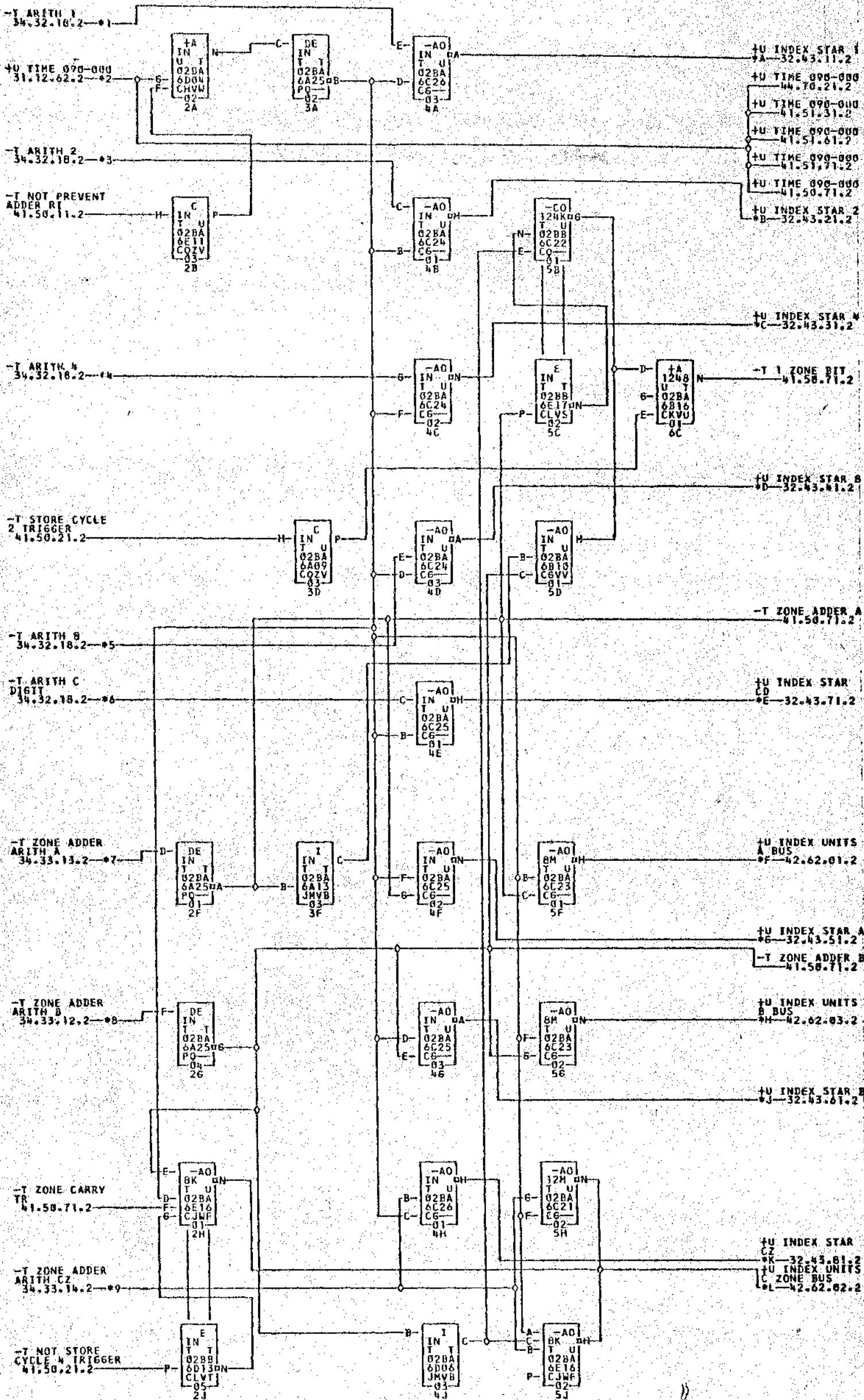
NOTE 1 THIS CARD ADDED FOR 1.4K, 2K, 4K ONLY

TAG DATE	E.C. NO.	TAG DATE	E.C. NO.	TAG DATE	E.C. NO.	TAG DATE	E.C. NO.
A 01-23-62	113830	B 12-13-62	114176				

729046

A 26.4.62
TA 1233D

B 5.3.63
TA 1771A

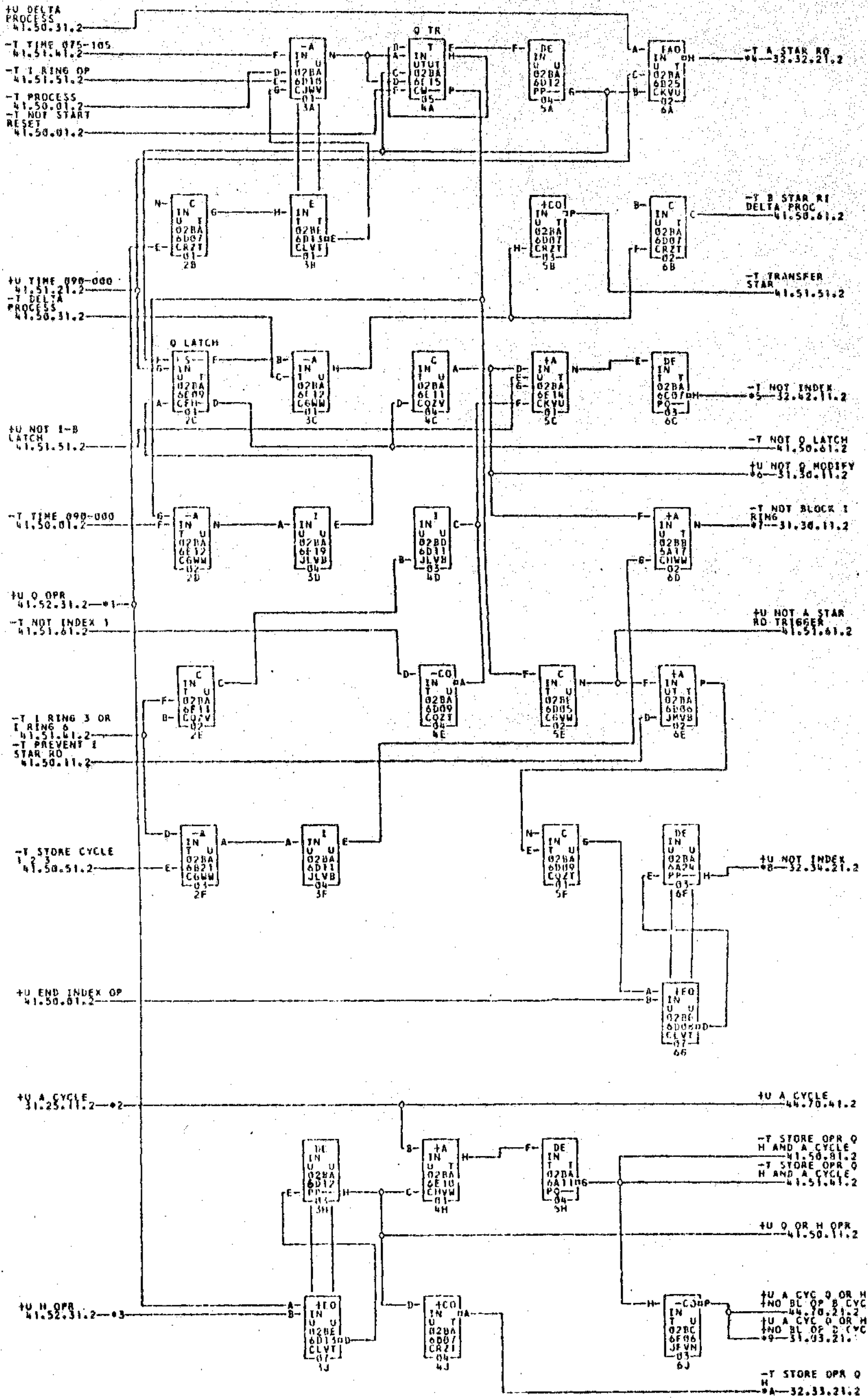


- | | | | | | |
|--------------|--------------|--------------|-------------|--------------|--------------|
| *1-02B6C02A | *2-02B6A03C | *3-02B6C02B | *4-02B6C02C | *5-02B6C02D | *6-02B6C02E |
| *7-02B6C02F | *8-02B6C026 | *9-02B6C02H | *A-02B6E01A | *10-02A9B01E | *11-01ABE26A |
| *B-02B6E01B | *C-02A9B03E | *D-01ABE26B | *E-02B6E01C | *12-02A9B05E | *13-01ABE26C |
| *F-02B6E01D | *14-02A9B07E | *15-01ABE26D | *G-02B6E01E | *16-02A9B09E | *17-01ABE26E |
| *18-02B6E016 | *19-02A9B13E | *1A-01ABC246 | *H-02B6E01F | *17-02A9B11E | *19-01ABE26F |
| *19-02B6E016 | *20-02A9B15E | *1B-01ABC24H | *I-02B6E01G | *18-02A9B13E | *20-01ABE26G |
| *20-02B6E01H | *21-02A9C03E | *1C-01ABE26H | *J-02B6E016 | *19-02A9B17E | *21-01ABE26J |
| *21-02B6E01H | | | *K-02B6E02J | | |

COMMENTS TAG DATE E.C.NO. TAG DATE E.C.NO. TAG DATE E.C.NO. TAG DATE E.C.NO.

A 01-23-62 113830 B 12-13-62 114176

729155



CD 14.11.02
 TA 1631
 E 5.3.63
 TA 1771A

- *1--02B6C03C *2--02B6A01K *3--02B6C01D *4--02B6B02N *5--02A9C05B *6--01A7B24N
- *7--02B6E010 *8--02A9C09E *9--01A8E260 *A--02B6B02R *B--02A0E05D *C--01B2A01A
- *D--02B6A010 *E--02A0E03B *F--01B2A010 *G--02B6B02H *H--02A9B15B *I--01D2A010
- *J--02B6A01P *K--02A0E01D *L--01B2A01P *M--02B6B02Q *N--02A9C09B *O--01A7B240

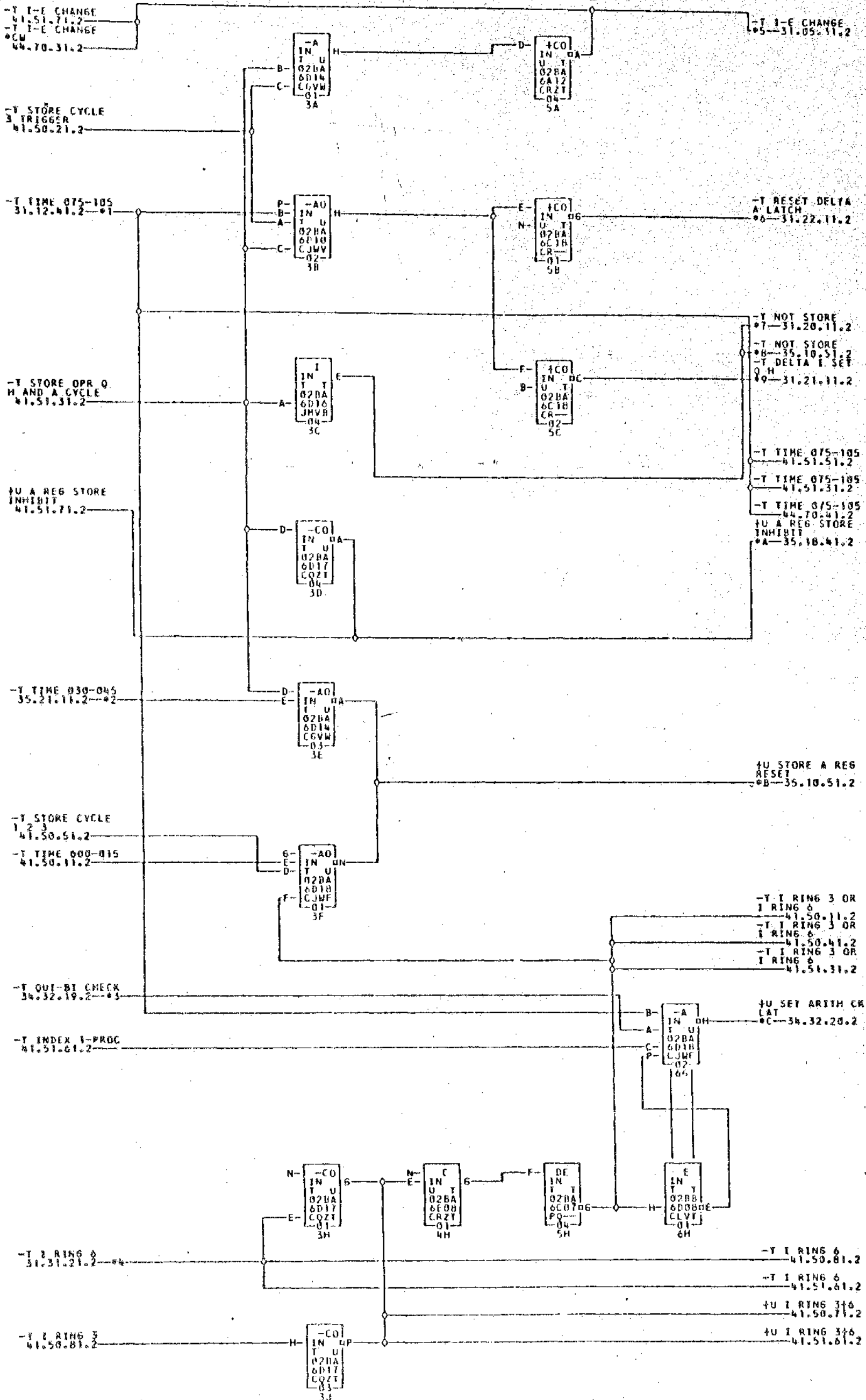
COMMENTS

TAG DATE E.C.NO. TAG DATE E.C.NO. TAG DATE E.C.NO. TAG DATE E.C.NO.
 A 01-23-62 113130 B 03-23-62 114129 C 07-06-62 114154 D 03-29-62 116161
 E 12-13-62 114176

113130
 114129
 114154
 116161

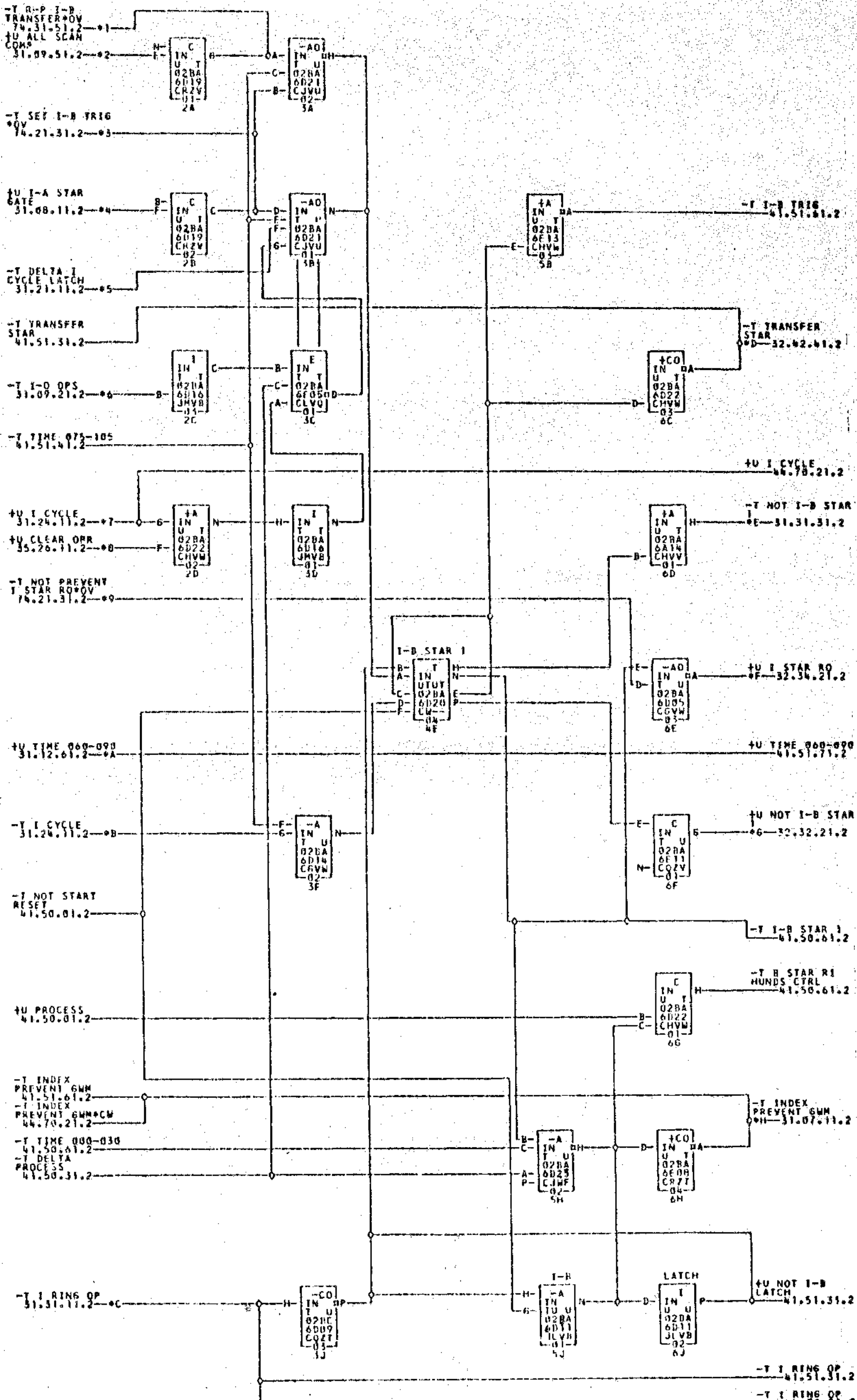
A 26.4.82
TA 1233D

B 5.3.63
TA 1771A



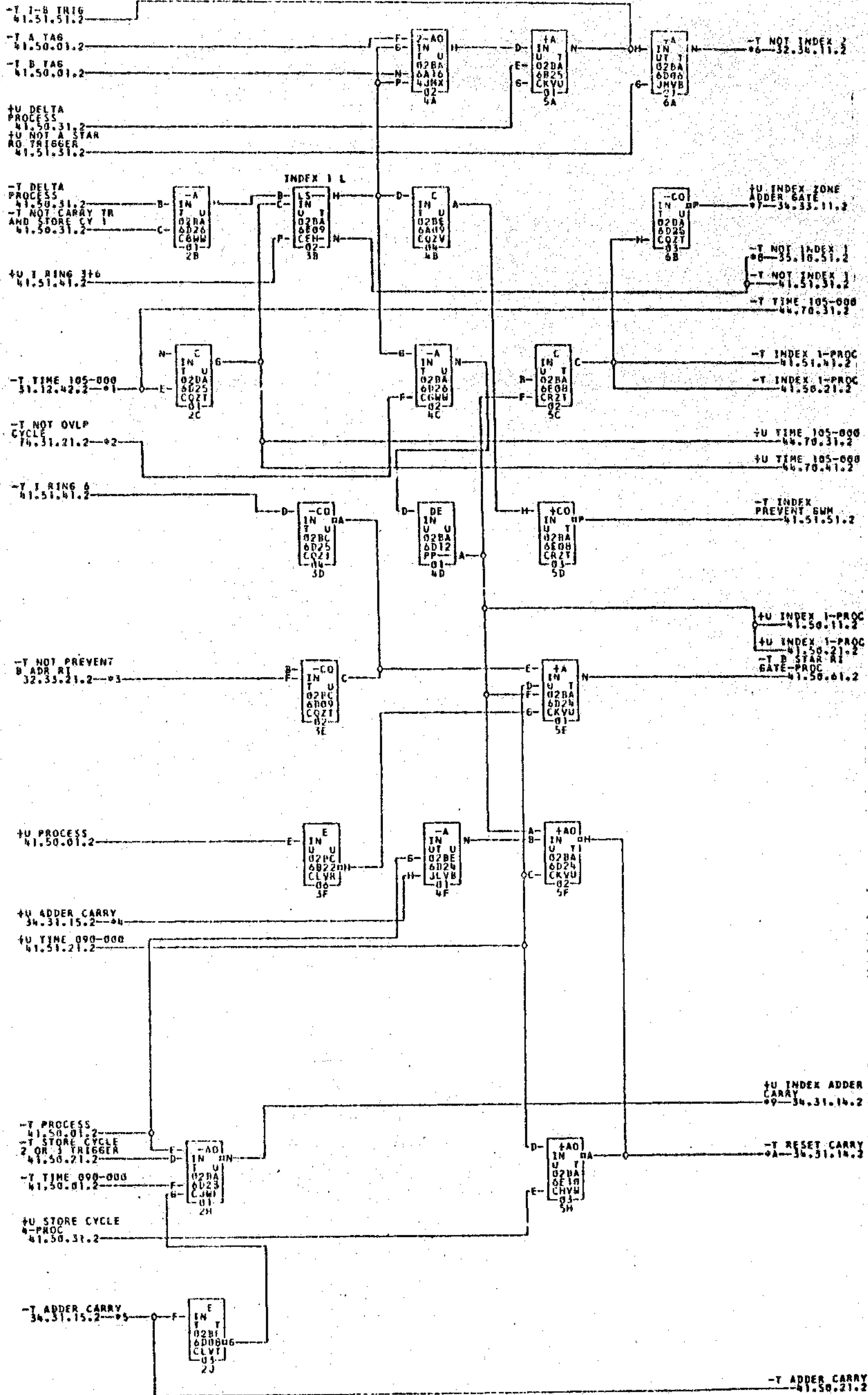
- *1-02B6A03L
- *2-02B6C03R
- *3-02B6A03P
- *4-02B6A02A
- *5-02B6A01F
- *6-02B6A02A
- *7-02B6A02B
- *8-02B6B03P
- *9-02B6A01L
- *A-02B6B03H
- *B-02B6B03J
- *C-02B6A03N
- *D-01B6F03J
- *E-02A0C15E
- *F-02A0E01C
- *G-02A0D00C
- *H-02A0U15D
- *I-01B2A02A
- *J-01A3F23P
- *K-01A3F23H
- *L-01B6F03L

729157



- *1-02B6E02N
- *2-02B6A02C
- *3-02B6C01J
- *4-02B6A02D
- *5-02B6A01N
- *6-02B6A02F
- *7-02B6A02E
- *8-02B6C01T
- *9-02B6E03M
- *A-02B6A01A
- *B-02B6A026
- *C-02B6A01A
- *D-02B6E01P
- *E-02B6A02H
- *F-02A9C07B
- *G-02A0D11E
- *H-02B6A02J
- *I-02B6E01P
- *J-02B6E01P
- *K-02B6E01P
- *L-02B6E01P
- *M-02B6E01P
- *N-02B6E01P
- *O-02B6E01P
- *P-02B6E01P
- *Q-02B6E01P
- *R-02B6E01P
- *S-02B6E01P
- *T-02B6E01P
- *U-02B6E01P
- *V-02B6E01P
- *W-02B6E01P
- *X-02B6E01P
- *Y-02B6E01P
- *Z-02B6E01P

729158



D 15.31.62
 TA 1631
 E 5.3.63
 TA 1771A

- *1--02B6A03K
- *2--02D6D026
- *3--02A9A026
- *4--02B6C02M
- *5--02B6C02N
- *6--02H6H02J
- *7--02B6C02L
- *8--02A0F02C
- *9--02B6C02O
- *10--02A0F02C
- *11--01B3B03P
- *12--01A3E23K
- *13--01B3B03P

COMMENTS

TAG DATE FIC NO. TAG DATE FIC NO. TAG DATE FIC NO. TAG DATE FIC NO.
 A 01-21-62 113830 B 06-04-62 114146 C 07-06-62 114154 D 08-28-62 114161
 E 12-13-62 114176

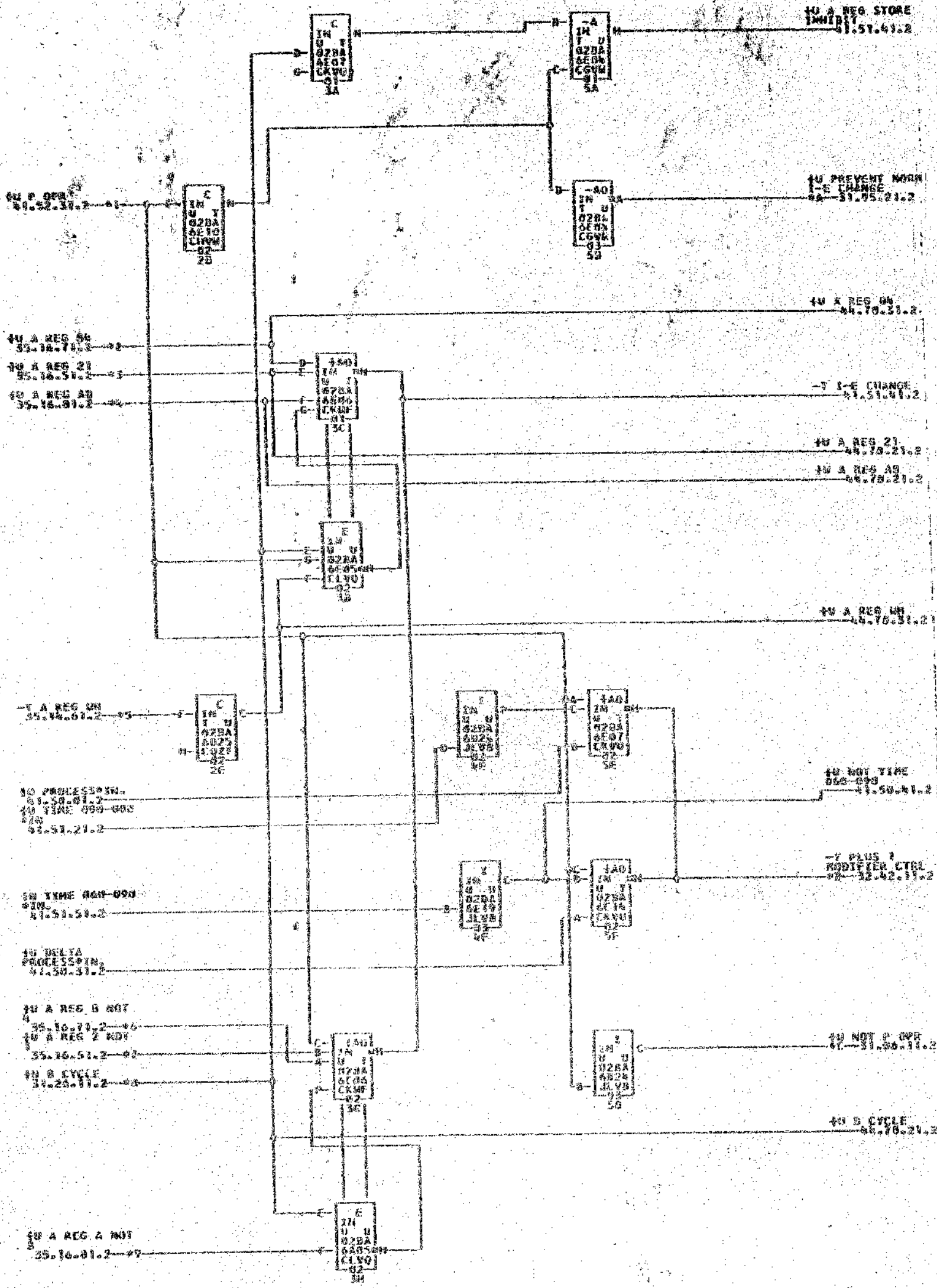
729159

11.20.6.62

11.1970

C. 5. 9. 63

TA 1771A



- *1-02B6C05D
- *2-02B6C01C
- *3-02B6C01B
- *4-02B6C011
- *5-02B6C016
- *6-02B6C01J
- *7-02B6C01H
- *8-02B6C02K
- *9-02B6C01K
- *A-02B6C021
- *B-02B6C015
- *C-02B6C02H
- *D-02B6C01A
- *E-02B6C01E
- *F-02B6C01F
- *G-02B6C01G
- *H-02B6C01I
- *I-02B6C01L
- *J-02B6C01M
- *K-02B6C01N
- *L-02B6C01O
- *M-02B6C01P
- *N-02B6C01Q
- *O-02B6C01R
- *P-02B6C01S
- *Q-02B6C01T
- *R-02B6C01U
- *S-02B6C01V
- *T-02B6C01W
- *U-02B6C01X
- *V-02B6C01Y
- *W-02B6C01Z
- *X-02B6C020
- *Y-02B6C021
- *Z-02B6C022

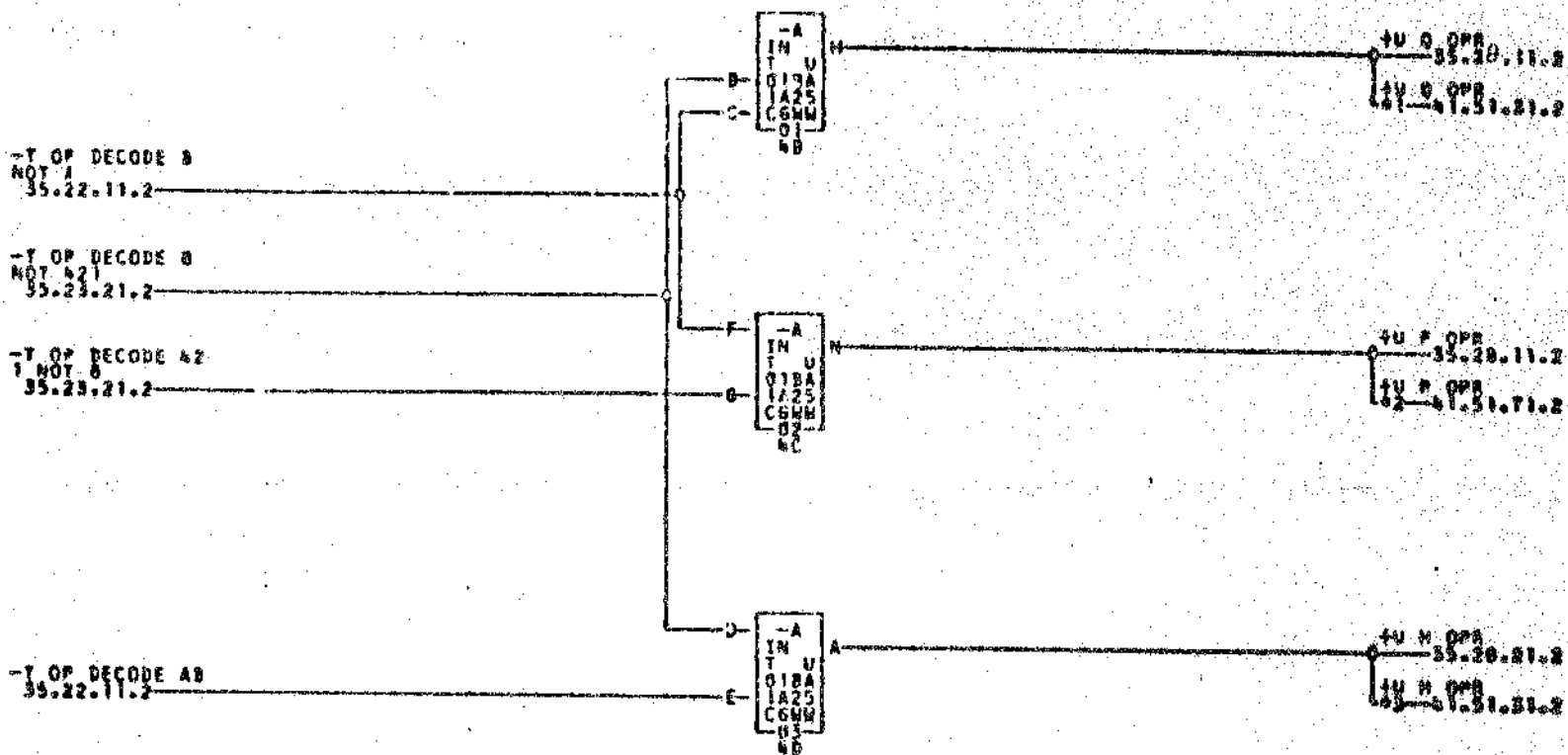
729160

B 28.9.62

TA 1844D

C 16.4.63

TA 1815A



0220E13A

0220E13A

0220E13A

0220E13A

0220E13A

0220E13A

724640