

METR
 R-S
 *
 * 01AF
 * 6C23
 USED
 01
 6H

FILT
 PF
 *
 * 01AA
 * 6A12
 * 6J
 USED
 01
 2J

FILT
 PF
 *
 * 01AA
 * 6F12
 * 6J
 USED
 01
 3J

RPO
 PF
 *
 * 01AF
 * 6C21
 * 6J
 USED
 01
 4J

RPO
 PF
 *
 * 01AF
 * 6D21
 * 6J
 USED
 01
 5J

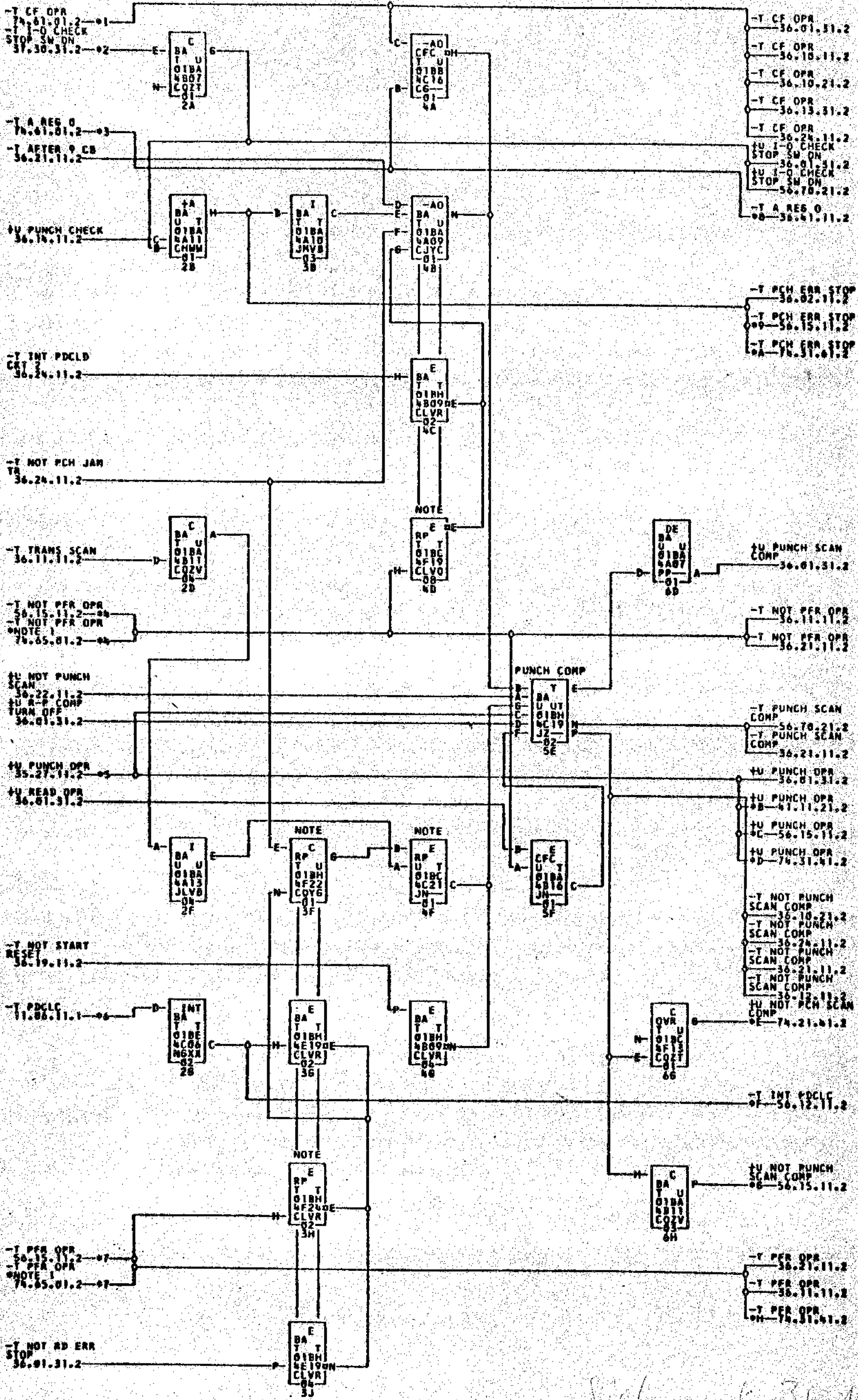
METR
 PF
 *
 * 01AF
 * 6C22
 * 6J
 USED
 01
 6J

- *1-01A6F24G
- *2-01A6F26R
- *3-01A6A25P
- *4-01A6F24F
- *5-01A6C25K
- *6-01A6E26A
- *7-01A6C25H
- *8-01A6C25B
- *9-01A6E24J
- *A-01A6E26N
- *B-01A6E24G
- *C-01A6D24H
- *D-01A6F25R
- *E-01A6F24A

1728768

COMMENTS

TAG DATE	E.C.NO.	TAG DATE	E.C.NO.	TAG DATE	E.C.NO.	TAG DATE	E.C.NO.
A 12-15-61	113530	B 02-28-62	114231	C 06-04-62	114147	D 10-17-62	114167
E 12-19-62	114177B	F 09-16-63	118575B				



H 18.4.63
 TA 1815A
 J 18.6.63
 TA 1859

- *1-01B4F03H
- *2-01B4A35A
- *3-01B4E04H
- *4-01B4C03E
- *5-01B4D03H
- *6-01B4D01D
- *7-01B4C03D
- *8-01B4D03A
- *9-01B4F030
- *A-01B4F01C
- *B-01B4F01D
- *C-01B4F01D
- *D-01B4F030
- *E-01B4D03C
- *F-01B4F01H
- *G-01B4E03A
- *H-01B4C03H
- *I-01B4D030
- *J-01B4D03C
- *K-01B4D03C
- *L-01B4D03C
- *M-01B4D03C
- *N-01B4D03C
- *O-01B4D03C
- *P-01B4D03C
- *Q-01B4D03C
- *R-01B4D03C
- *S-01B4D03C
- *T-01B4D03C
- *U-01B4D03C
- *V-01B4D03C
- *W-01B4D03C
- *X-01B4D03C
- *Y-01B4D03C
- *Z-01B4D03C

NOTE 1-LOGIC DIAGRAM IF THE CARD FEED COMP CFC FEATURE IS PRESENT BUT NOT THE PUNCH FEED READ RP FEATURE
 NOTE-THIS CARD MUST BE PRESENT IF EITHER THE PUNCH FEED READ RP OR THE CARD FEED COMP CFC FEATURE IS PRESENT

724646

B 4.10.62
TA 1667A

C 16.4.63
TA 1816A

01A6
CONN
BA
01BA
4A01
01-
2B

01B3
CONN
BA
01BA
4A02
01-
3B

01A2
CONN
BA
01BA
4A03
01-
4B

01B2
CONN
BA
01BA
4B01
01-
2C

01B6
CONN
BA
01BA
4B02
01-
3C

01B7
CONN
BA
01BA
4B03
01-
4C

1402
CONN
BA
01BA
4C01
01-
2D

1402
CONN
BA
01BA
4C02
01-
3D

01B7
CONN
BA
01BA
4C03
01-
4D

NOTE 1
01B7
CONN
OPT
01BA
4C04
01-
5D

1402
CONN
BA
01BA
4D01
01-
2E

1402
CONN
BA
01BA
4D02
01-
3E

01B7
CONN
BA
01BA
4D03
01-
4E

1FC
CONN
OVL P
01BA
4D04
01-
5E

01B2
CONN
BA
01BA
4E01
01-
2F

01A3
CONN
BA
01BA
4E02
01-
3F

01B6
CONN
BA
01BA
4E03
01-
4F

1FC
CONN
CF
01BA
4E04
01-
5F

01B7
CONN
BA
01BA
4F01
01-
2G

1FC
CONN
EH
01BA
4F02
01-
3G

NOTE 2
1FC
CONN
OPT
01BA
4F03
01-
4G

1FC
CONN
OVL P
01BA
4F04
01-
5G

COMMENTS
NOTE 1-THIS CABLE NECESSARY IF EITHER
PCH FD RD OR CARD FEED-1404 IS PRESENT.
NOTE 2-THIS CABLE NECESSARY IF EITHER
PROC OVL P COL BIN OR CARD FEED-1404
IS PRESENT.

TAG DATE E.C.NO. TAG DATE E.C.NO. TAG DATE E.C.NO. TAG DATE E.C.NO.
A 03-06-62 114232A B 04-04-62 114140A C 01-17-63 116781

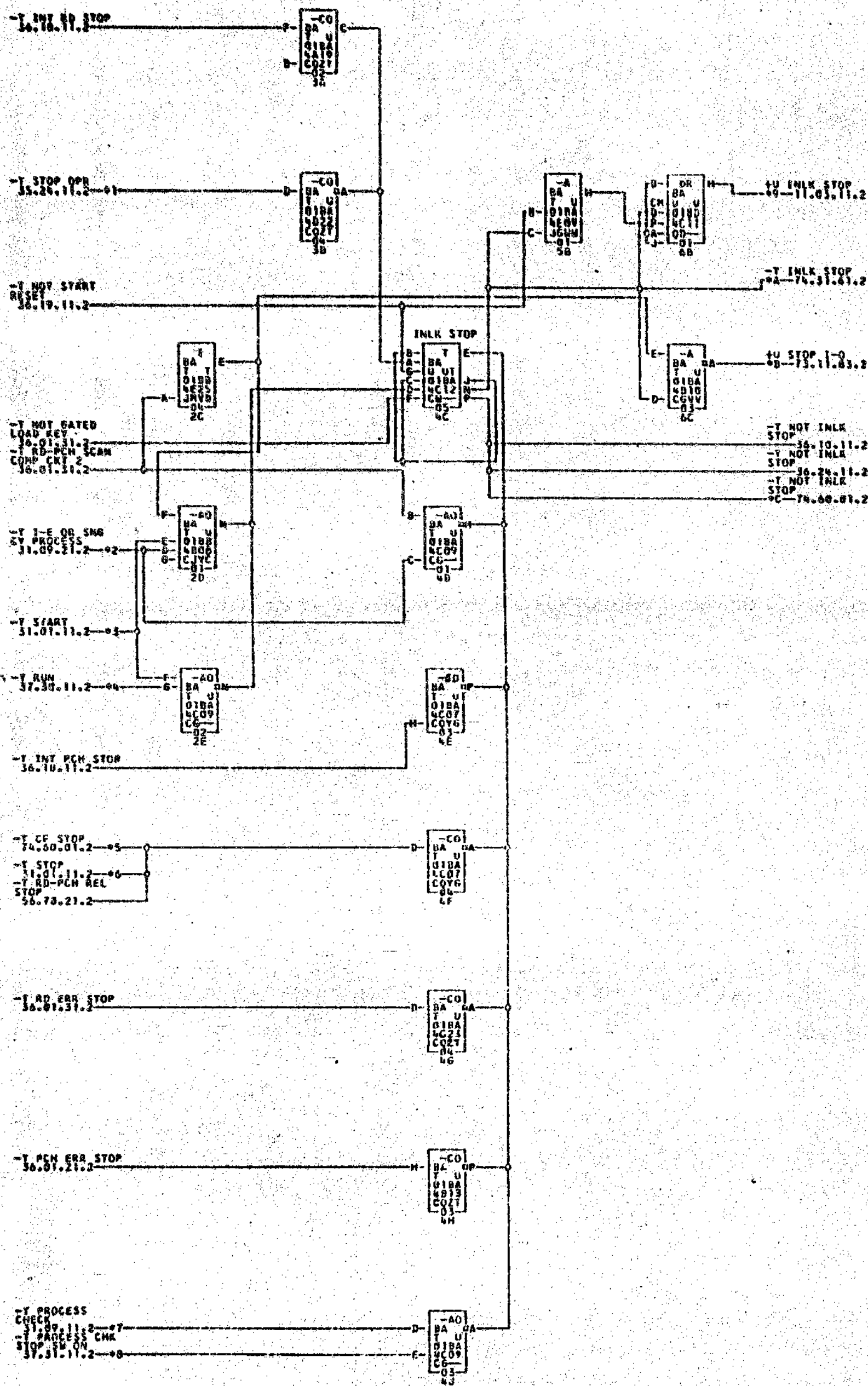
1815 A
724752

C 7.2.63

TA 1735A

D 16.4.63

TA 1815A



- *1-01B4D03J *2-01B4E01C *3-01B4D01C *4-01B4A03R *5-01B4E04Q *6-01B4B01E
- *7-01B4D01H *8-01B4A03Q *9-01B4C02R *A-01B4F04Q *B-01B4F04Q *C-02A9A07A
- *D-02B1F02Q *E-01B4E03M *F-01B4E03M *G-01B4E03M *H-01B4E03M *I-01B4E03M
- *J-01B4E03M *K-01B4E03M *L-01B4E03M *M-01B4E03M *N-01B4E03M *O-01B4E03M
- *P-01B4E03M *Q-01B4E03M *R-01B4E03M *S-01B4E03M *T-01B4E03M *U-01B4E03M
- *V-01B4E03M *W-01B4E03M *X-01B4E03M *Y-01B4E03M *Z-01B4E03M

COMMENTS TAG DATE E.C.NO. TAG DATE E.C.NO. TAG DATE E.C.NO. TAG DATE E.C.NO.

A 12-04-61 11226VF B 12-20-61 11226VQ C 10-25-62 112727 D 01-17-63 112747

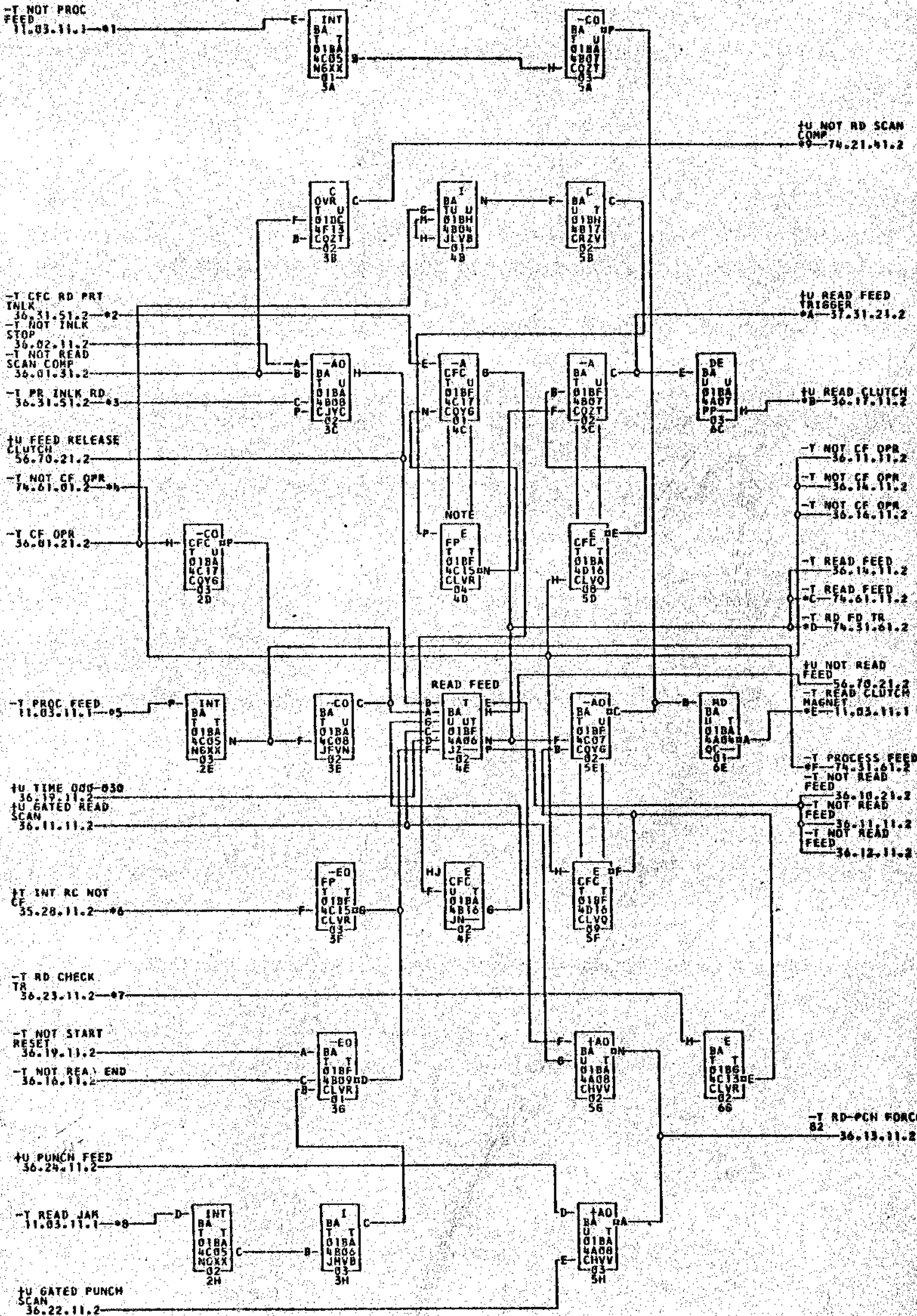
724648

H 18.6.63

TA 1859

I 25.7.63

TA 1859Q



- *1-01B4C01M *2-01B4E010 *3-01B4A01C *4-01B4F03F *5-01B4C01L *6-01B4D030
- *7-01B4C04H *8-01B4C01C *9-01B4D04B *A-02A0A07D *B-02B1B02B *C-01B4A03F
- *D-01A2A19F *E-01B4B03B *F-01B7B01B *G-01B4E04D *H-02A9A03A *I-02B0D05B
- *J-01B4F04K *K-02A9A11C *L-02B1F02K *M-01B4C02A *N-RC17D *O-01B4F04H

NOTE-THIS CIRCUIT MUST BE PRESENT IF THE CARD FEED COMPARE CFC FEATURE IS PRESENT

REV	DATE	BY	NO	REV	DATE	BY	NO	REV	DATE	BY	NO
A	12-06-61		12269	B	01-19-62		115430A	C	02-11-62		116242A
E	10-23-62		16721	F	01-19-63		116787	G	02-28-63		117158
J	04-23-63		17481					H	06-04-63		118268

724649

0724053

READ IMP CB LOGIC

A-U10E-EU55T RF
7LV3 B04 NC F21 AG

1401

36.10.21.2

-T RD IMP CB
36.04.11.2



-T NOT READ IMP CB
36.11.11.2

A23F

A17C-A17E -T RD BR IMP CB
36.10.21.2

-Y CB RESET
36.04.11.2



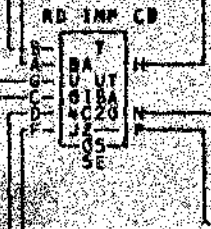
+U PER OPR
36.11.11.2
+U PUNCH SCAN
36.21.11.2
+U LATCH



+U PER OPR
36.11.21.2
+U PER OPR
36.11.11.2
+U PER OPR
36.11.11.2

-T PER OPR
36.11.11.2
-T NOT PUNCH
SCAN COMP
36.01.21.2

+U IMP CRT
36.10.21.2
+U NOT READ
SCAN COMP
36.01.11.2



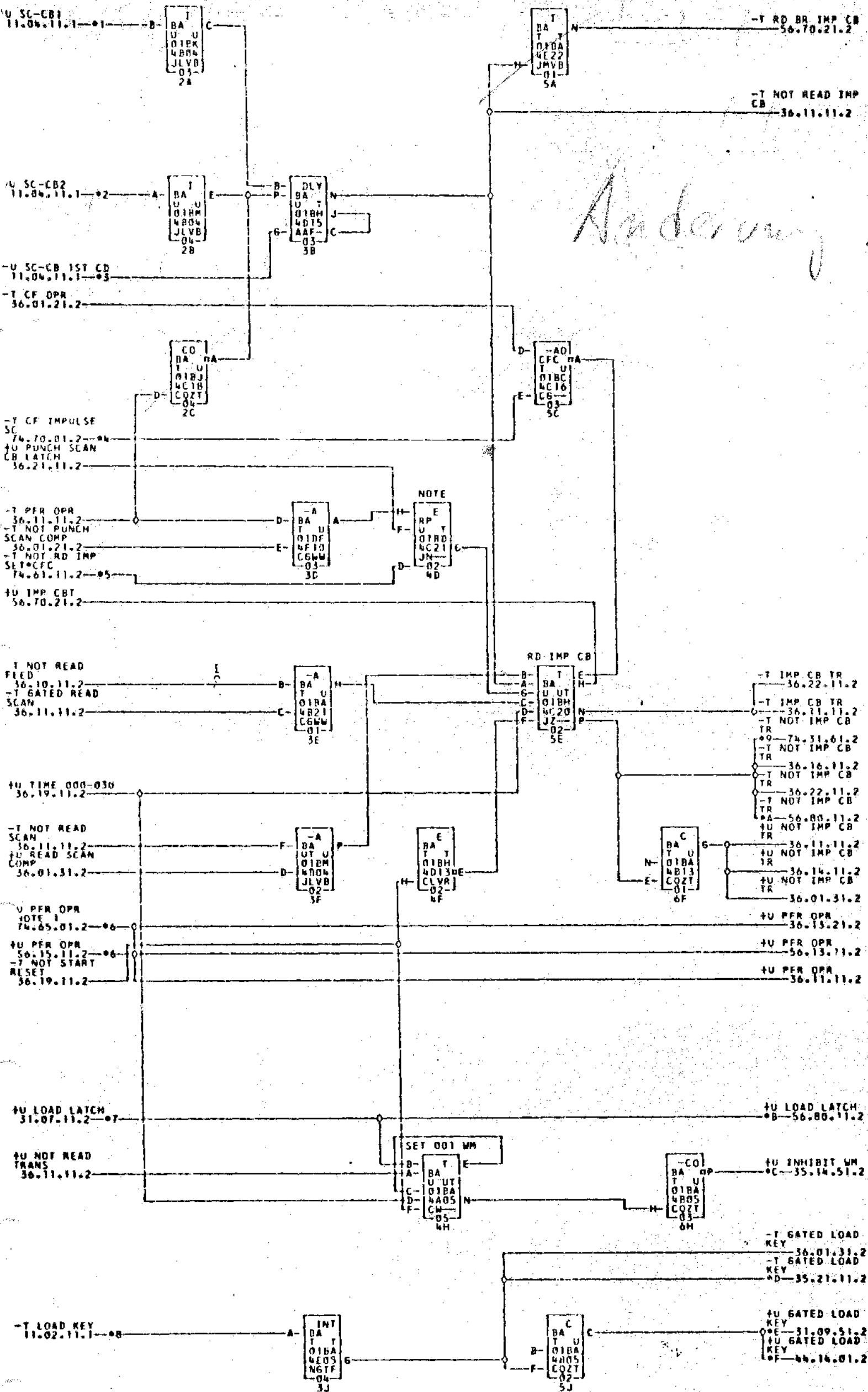
-T IMP CB TR
36.22.11.2
-T IMP CB TR
36.11.11.2
-T NOT IMP CB
TR
36.21.11.2
-T NOT IMP CB
TR
36.16.11.2

-T NOT READ
FEED
36.10.11.2
-T SAVED HEAD
SCAN
36.11.11.2

E 26.7.63
TA 18590

M 12.9.63
TW 1947A

Anderson!



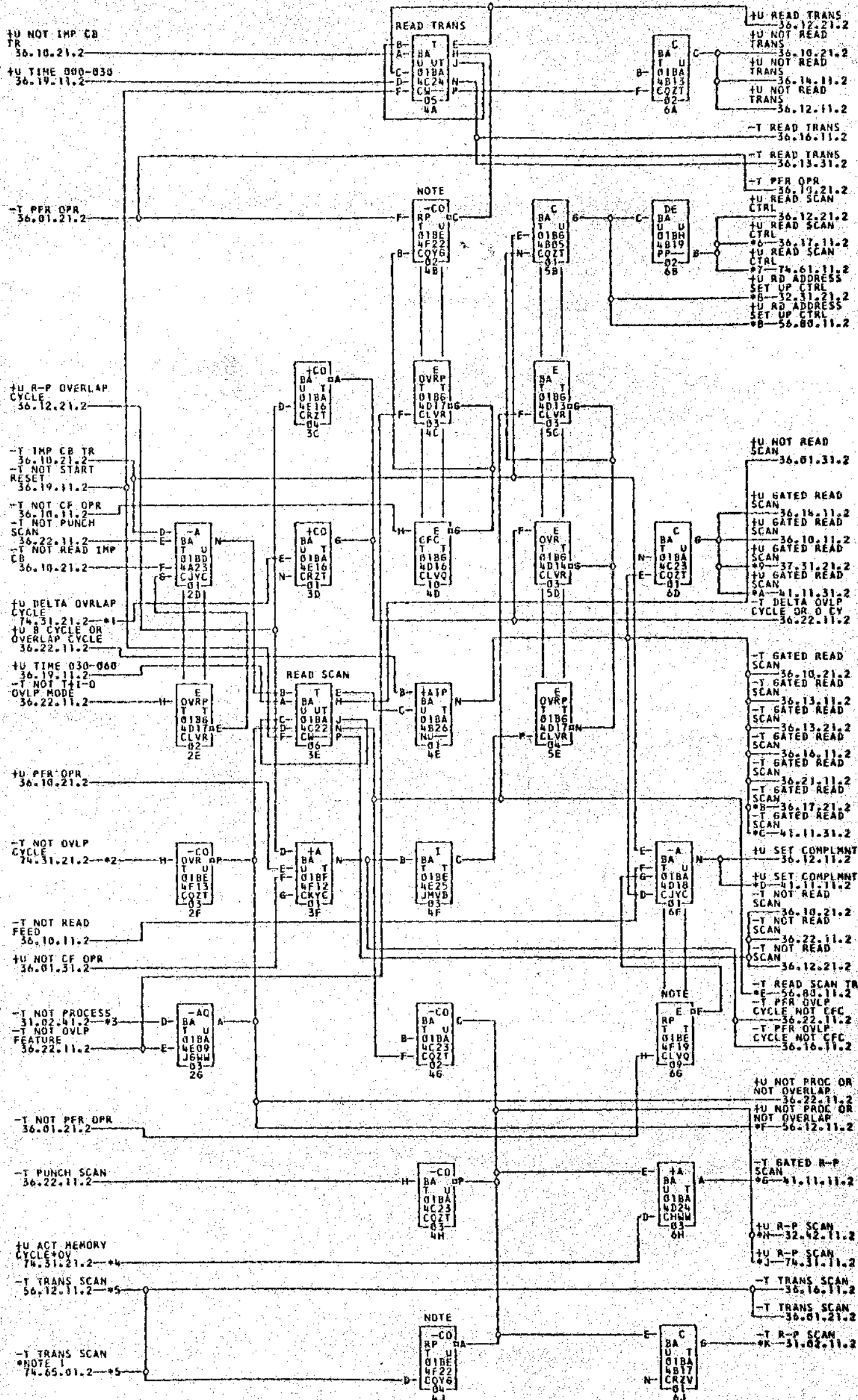
- *1--01B4C01F
- *2--01B4C01X
- *3--01B4C01J
- *4--01B4E04A
- *5--01B4E04C
- *6--01B4F010
- *7--01B4B01J
- *8--01B4C01N
- *9--01B4E04L
- *0--02A9A13C
- *A--02B1F02L
- *1--01B4C01K
- *1--01B7D02N
- *2--01A8E24N
- *B--01B4C03L
- *3--01B7A01L
- *2--01B7D02R
- *C--01B4E02A
- *4--01A3A23A
- *D--01B4D03R
- *4--01B1D02R
- *E--01B4B01K
- *4--01B7A04K
- *D--01B2A03G
- *5--02A9F17C
- *8--02B7E010

NOTE 1-LOGIC DIAGRAM IS THE CARD FEED COMP CFC FEATURE IS PRESENT BUT NOT THE PUNCH FEED RP FEATUREL

TAG DATE	E.C.NO.	TAG DATE	E.C.NO.	TAG DATE	E.C.NO.	TAG DATE	E.C.NO.
A 12-06-61	112269F	D 12-20-61	112269G	C 01-16-62	111530A	D 02-10-62	114242A
E 05-24-62	115316	F 05-04-62	1141W0A	G 07-26-62	11622H	H 01-17-63	116717
J 03-28-63	117148A	K 04-04-63	117240	L 05-13-63	117644	M 06-13-63	11796A

724650

J25.7.63
TA 1859Q
K 12.9.69
TA 1947A



- *1-01B4D04G
- *2-01B4D04J
- *3-01B4B01L
- *4-01B4D04L
- *5-01B4C03B
- *6-01B4B03H
- *7-01B4B03H
- *8-01B7B01H
- *9-02A9D13E
- *10-02B8D04K
- *11-01A6C26B
- *12-01B7D01K
- *13-01A2A19D
- *14-02B8F02G
- *15-01A7D25B
- *16-01B7B01D
- *17-01B4F03K
- *18-02A9D07C
- *19-01B4B03D
- *20-01B4F03K
- *21-02B8F02K
- *22-02A9C19B
- *23-02B8F01C
- *24-01B7E03E
- *25-02A9C03J
- *26-01B7A01J
- *27-01B4F01E
- *28-01B7D02P
- *29-01B7A01A
- *30-01B7A01A
- *31-01B4C03A
- *32-01B7A01A
- *33-01B4B01H
- *34-01B7A02K
- *35-01B2A04H
- *36-01B4F02A
- *37-02B8F01A
- *38-01A8E24K
- *39-01B4D04D
- *40-02A9A11D

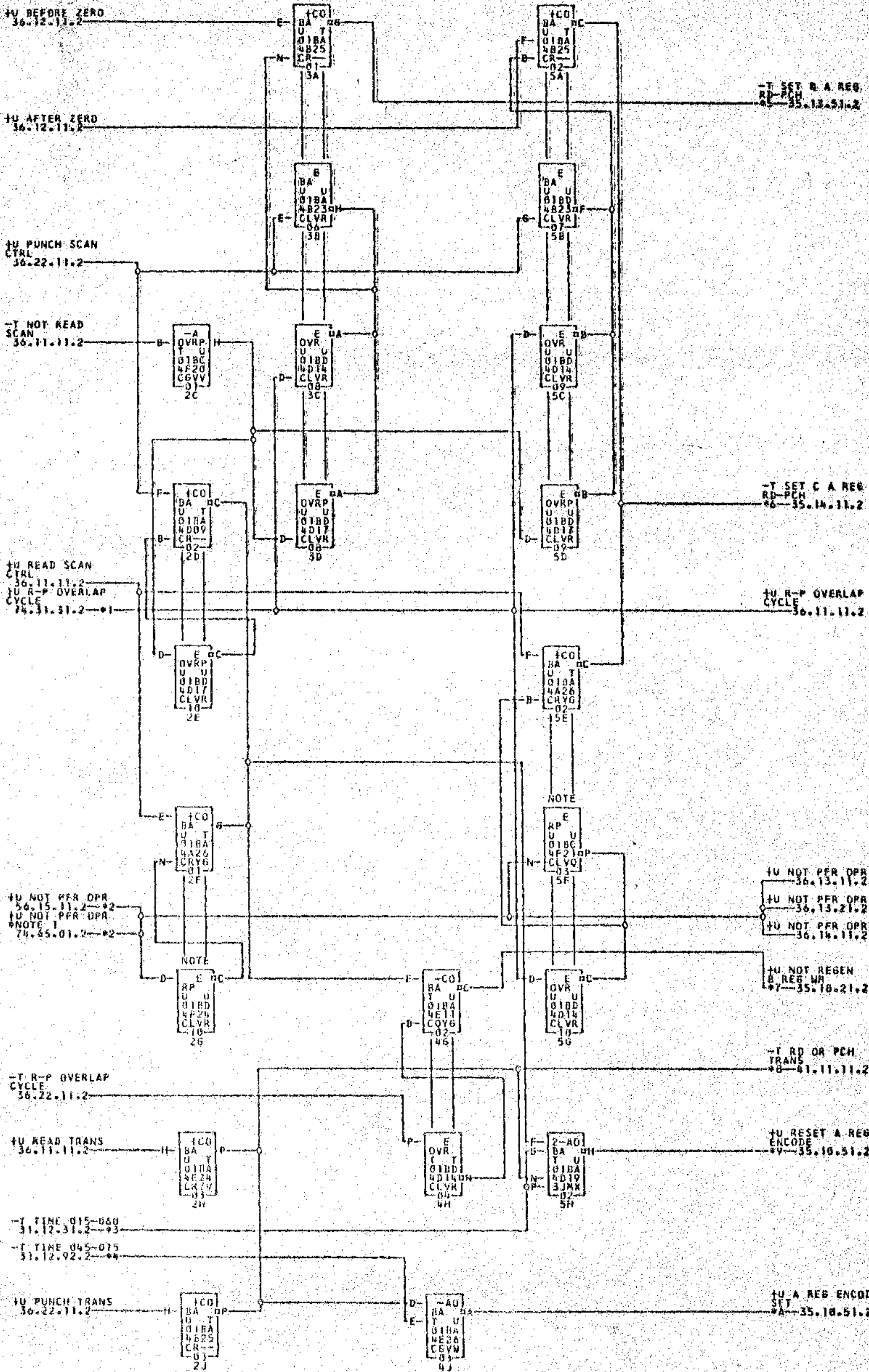
72465

D 15.4.63

TA 1815A

E 18.6.63

TA 1859

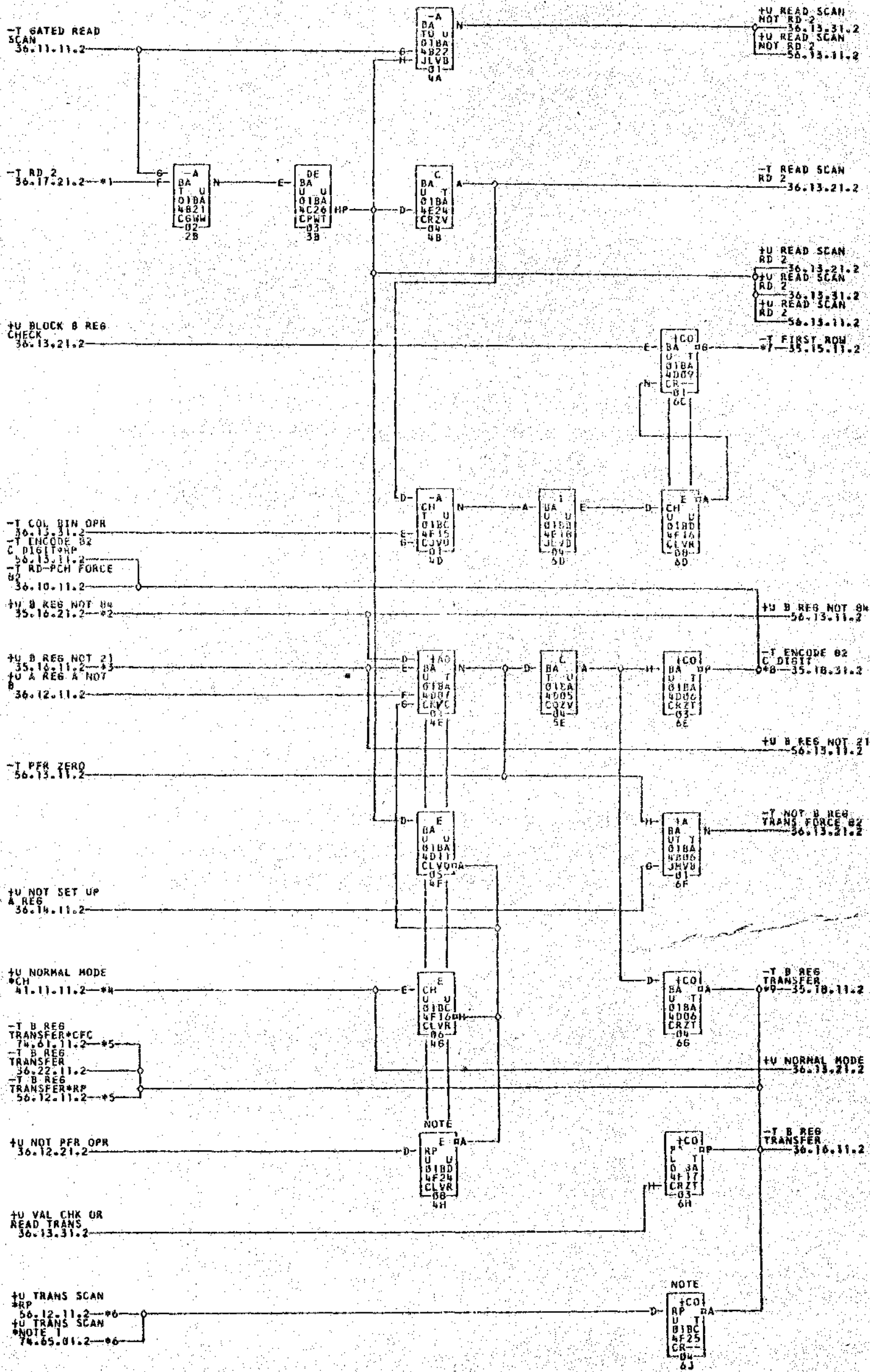


- *1--010400K *2--010401P *3--010402F *4--010402G *5--010401N *6--010400N
- 010200S 01A10250 010402R 01A3230 010401D 010200B
- 010203L 01A3024L *8--010403A 02A9C15C 02BBF02A *9--010402G
- 01A3A236 *A--010402H 01A3A23H

NOTE 1-LOGIC DIAGRAM IF THE CARD FEED COMP CFC FEATURE IS PRESENT BUT NOT THE PUNCH FEED READ RP FEATURE. NOTE-THIS CARD MUST BE PRESENT IF EITHER THE PUNCH FEED READ RP OR THE CARD FEED COMP CFC FEATURE IS PRESENT.

TAG DATE	E.C.NO.	TAG DATE	E.C.NO.	TAG DATE	E.C.NO.	TAG DATE	E.C.NO.
A 12-00-61	117207F	B 01-25-62	115830A	C 02-14-62	116242A	D 01-17-63	116707F
E 04-04-63	117240						

1859
724653



*1-01B4E03L *2-01B4E03J *3-01B4E03N *4-01B4F02L *5-01B4E01C *6-01B4A01A
 *7-01B4E02J *8-01A3A23J *9-01B4E02K *10-01A3A23K *11-01B4E02N *12-01A3A23N

NOTE 1-LOGIC DIAGRAM IF THE CARD FEED COMP CFC FEATURE IS PRESENT BUT NOT THE PUNCH FEED READ RP FEATURE.
 NOTE-THIS CARD MUST BE PRESENT IF EITHER THE PUNCH FEED READ RP OR THE CARD FEED COMP CFC FEATURE IS PRESENT

AS DATE	E.C.NO.	TAG DATE	E.C.NO.	AS DATE	E.C.NO.	AS DATE	E.C.NO.
A 12-06-61	1122697	B 12-20-61	1122696	C 02-14-62	114242A	D 01-17-63	116787

724654

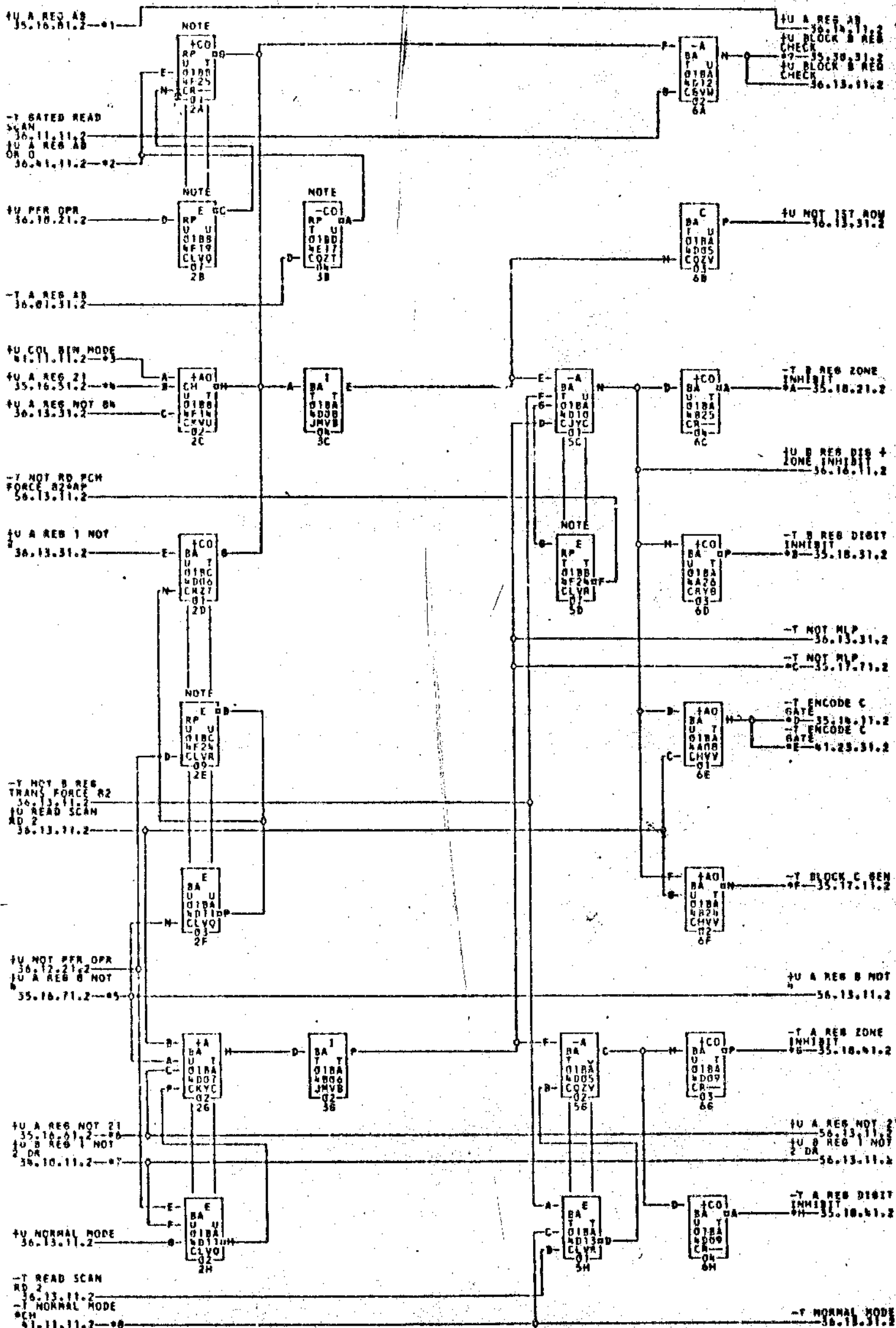
0724655

ENCODER

1401

36.13.21.2

TAG DATE



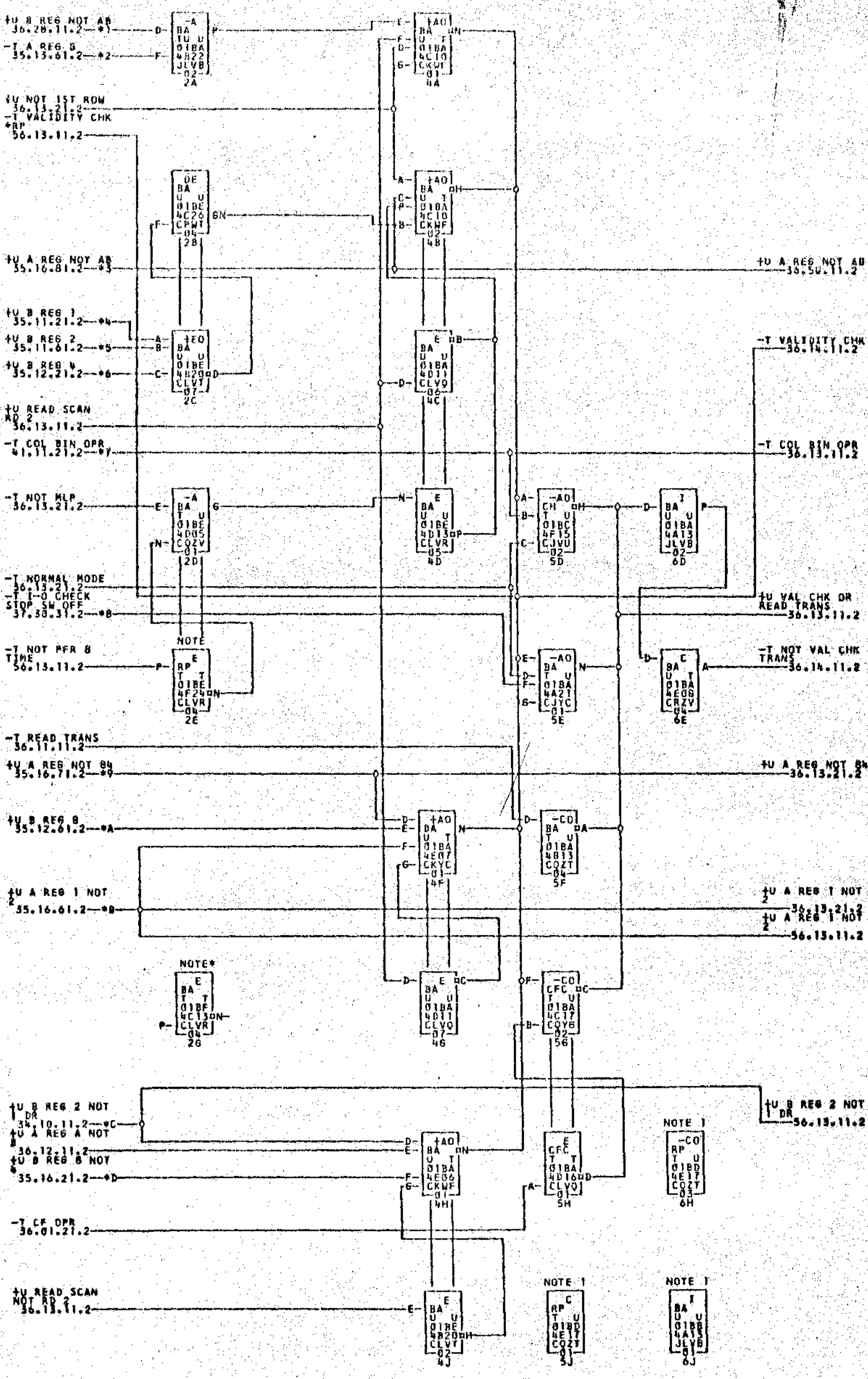
C 18.4.63
 TA 1815A
 D 18.8.63
 TA 185D

- *1-0184E03L
- *2-0184E03L
- *3-0184E02L
- *4-0184F02R
- *5-0184E02E
- *6-0184E03R
- *7-0184E03R
- *8-0184F02J
- *9-0184E02E
- *A-0184E02C
- *B-0184E02P
- *C-0184E01P
- *D-0184F02R
- *E-0184E02E
- *F-0184E02H
- *G-0184E02H
- *H-0184E02E
- *I-0184E03R
- *J-0184E02C
- *K-0184E01H
- *L-0184E01H
- *M-0184E02E
- *N-0184E02E

724655
1853

NOTE-THIS CARD MUST BE PRESENT IF EITHER THE PUNCH FEED READ RP OR THE CARD FEED COMP CFC FEATURE IS PRESENT

TAG DATE	FIC NO	TAG DATE	FIC NO	TAG DATE	FIC NO	TAG DATE	FIC NO
A 12-06-61	112269F	B 02-14-62	114242A	C 01-11-63	116189	D 02-12-63	117138

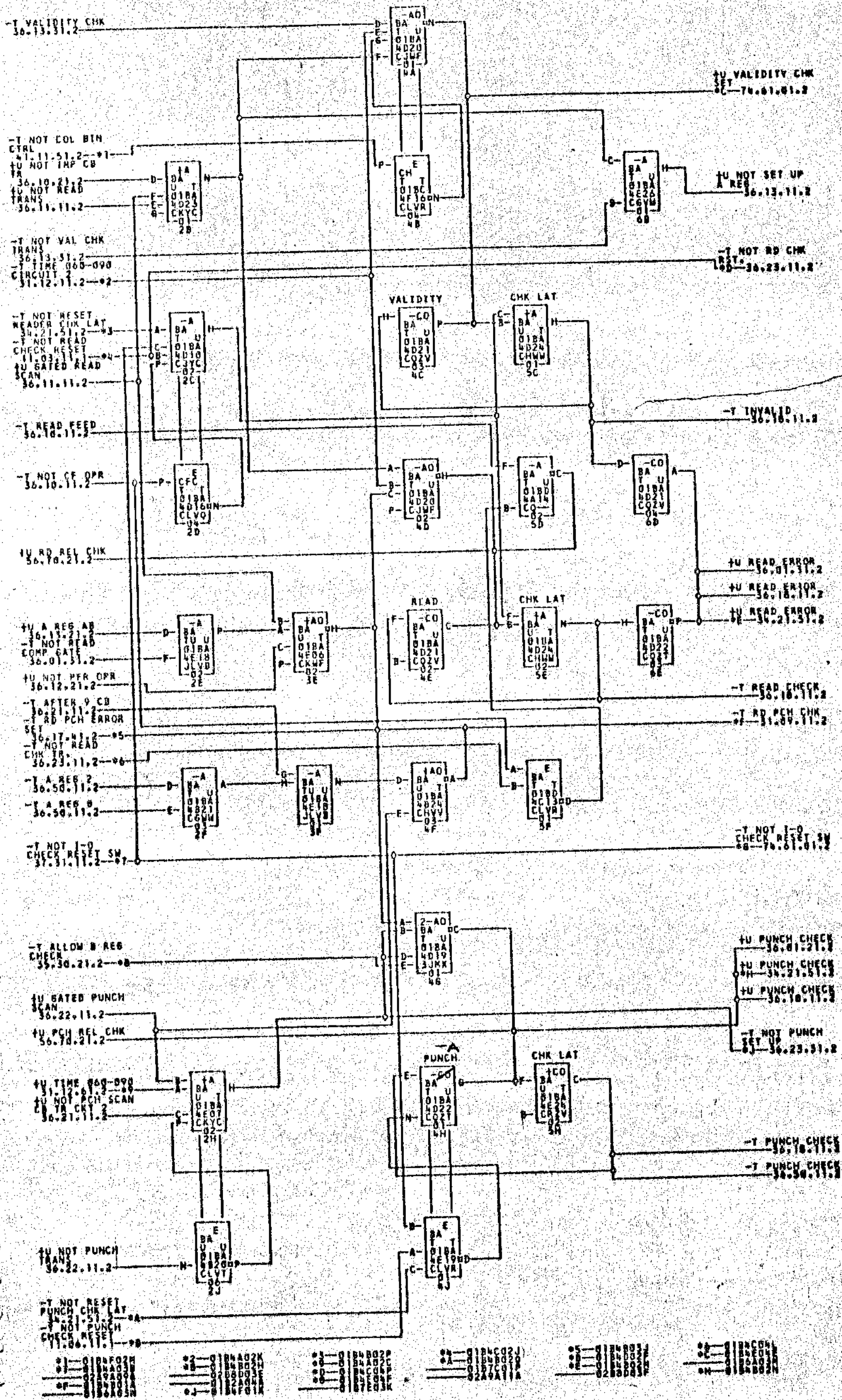


- *1--01B4F011
- *2--01B4E02D
- *3--01B4D03N
- *4--01B4A01M
- *5--01B4E03N
- *6--01B4A01L
- *7--01B4F03B
- *8--01B4A03P
- *9--01B4B02D
- *A--01B4A01M
- *B--01B4E03N
- *C--01B4E03B
- *D--01B4B02L

NOTE THIS CIRCUIT REQUIRED FOR FCF FEATURE NOTE-THIS CARD MUST BE PRESENT IF EITHER THE PUNCH FEED RP OR THE CARD FEED COMP CFC FEATURE IS PRESENT NOTE 1- THESE CIRCUITS RESERVED FOR THE A BIT ON 1401 RPO

TAB DATE	F.C. NO.	TAB DATE	F.C. NO.	TAB DATE	F.C. NO.	TAB DATE	F.C. NO.
A 12-04-61	12269F	B 01-16-62	13530A	C 02-14-62	114262A	D 10-25-62	118727
E 01-17-63	118787	F 02-28-63	117108				

72456
 TA 1859



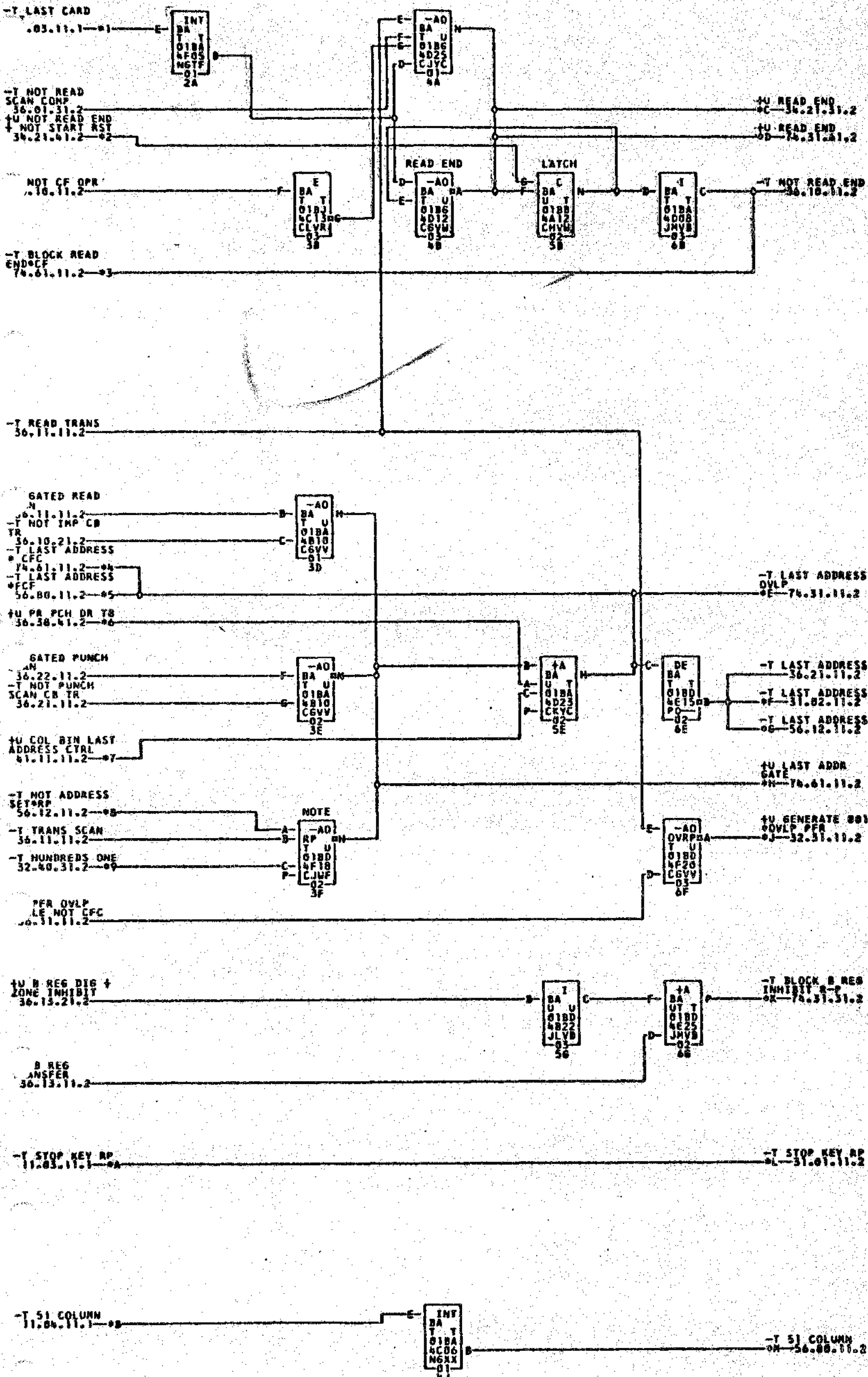
01	01BA020M	01	01BA020P	02	01BA020J	05	01BA020S	08	01BA020H
02	01BA020N	02	01BA020Q	03	01BA020K	06	01BA020T	09	01BA020I
03	01BA020L	04	01BA020R	07	01BA020M	10	01BA020U	13	01BA020J
04	01BA020O	05	01BA020S	08	01BA020H	11	01BA020K	14	01BA020L
05	01BA020P	09	01BA020I	12	01BA020M	15	01BA020N	18	01BA020Q
06	01BA020Q	13	01BA020J	16	01BA020R	19	01BA020T	22	01BA020U
07	01BA020R	14	01BA020K	17	01BA020S	20	01BA020V	23	01BA020W
08	01BA020S	15	01BA020L	18	01BA020T	21	01BA020X	24	01BA020Y
09	01BA020T	16	01BA020M	19	01BA020U	22	01BA020Z	25	01BA020AA
10	01BA020U	17	01BA020N	20	01BA020V	23	01BA020AB	26	01BA020AC
11	01BA020V	18	01BA020O	21	01BA020W	24	01BA020AD	27	01BA020AE
12	01BA020W	19	01BA020P	22	01BA020X	25	01BA020AF	28	01BA020AG
13	01BA020X	20	01BA020Q	23	01BA020Y	26	01BA020AH	29	01BA020AI
14	01BA020Y	21	01BA020R	24	01BA020Z	27	01BA020AJ	30	01BA020AK
15	01BA020Z	22	01BA020S	25	01BA020AA	28	01BA020AL	31	01BA020AM
16	01BA020AA	23	01BA020T	26	01BA020AB	29	01BA020AN	32	01BA020AO
17	01BA020AB	24	01BA020U	27	01BA020AC	30	01BA020AP	33	01BA020AQ
18	01BA020AC	25	01BA020V	28	01BA020AD	31	01BA020AR	34	01BA020AS
19	01BA020AD	26	01BA020W	29	01BA020AE	32	01BA020AR	35	01BA020AT
20	01BA020AE	27	01BA020X	30	01BA020AF	33	01BA020AS	36	01BA020AU
21	01BA020AF	28	01BA020Y	31	01BA020AG	34	01BA020AT	37	01BA020AV
22	01BA020AG	29	01BA020Z	32	01BA020AH	35	01BA020AU	38	01BA020AW
23	01BA020AH	30	01BA020AA	33	01BA020AI	36	01BA020AV	39	01BA020AX
24	01BA020AJ	31	01BA020AB	34	01BA020AJ	37	01BA020AW	40	01BA020AY
25	01BA020AK	32	01BA020AC	35	01BA020AK	38	01BA020AX	41	01BA020AZ
26	01BA020AL	33	01BA020AD	36	01BA020AL	39	01BA020AY	42	01BA020BA
27	01BA020AM	34	01BA020AE	37	01BA020AM	40	01BA020AZ	43	01BA020BB
28	01BA020AN	35	01BA020AF	38	01BA020AN	41	01BA020BA	44	01BA020BC
29	01BA020AO	36	01BA020AG	39	01BA020AO	42	01BA020BB	45	01BA020BD
30	01BA020AP	37	01BA020AH	40	01BA020AP	43	01BA020BC	46	01BA020BE
31	01BA020AQ	38	01BA020AI	41	01BA020AQ	44	01BA020BD	47	01BA020BF
32	01BA020AR	39	01BA020AJ	42	01BA020AR	45	01BA020BE	48	01BA020BG
33	01BA020AS	40	01BA020AK	43	01BA020AS	46	01BA020BF	49	01BA020BH
34	01BA020AT	41	01BA020AL	44	01BA020AT	47	01BA020BG	50	01BA020BI
35	01BA020AU	42	01BA020AM	45	01BA020AU	48	01BA020BH	51	01BA020BJ
36	01BA020AV	43	01BA020AN	46	01BA020AV	49	01BA020BI	52	01BA020BK
37	01BA020AW	44	01BA020AO	47	01BA020AW	50	01BA020BJ	53	01BA020BL
38	01BA020AX	45	01BA020AP	48	01BA020AX	51	01BA020BK	54	01BA020BL
39	01BA020AY	46	01BA020AQ	49	01BA020AY	52	01BA020BL	55	01BA020BM
40	01BA020AZ	47	01BA020AR	50	01BA020AZ	53	01BA020BM	56	01BA020BN
41	01BA020BA	48	01BA020AS	51	01BA020BA	54	01BA020BN	57	01BA020BO
42	01BA020BB	49	01BA020AT	52	01BA020BB	55	01BA020BO	58	01BA020BP
43	01BA020BC	50	01BA020AU	53	01BA020BC	56	01BA020BP	59	01BA020BQ
44	01BA020BD	51	01BA020AV	54	01BA020BD	57	01BA020BQ	60	01BA020BR
45	01BA020BE	52	01BA020AW	55	01BA020BE	58	01BA020BR	61	01BA020BS
46	01BA020BF	53	01BA020AX	56	01BA020BF	59	01BA020BS	62	01BA020BT
47	01BA020BG	54	01BA020AY	57	01BA020BG	60	01BA020BT	63	01BA020BU
48	01BA020BH	55	01BA020AZ	58	01BA020BH	61	01BA020BU	64	01BA020BV
49	01BA020BI	56	01BA020BA	59	01BA020BI	62	01BA020BV	65	01BA020BW
50	01BA020BJ	57	01BA020BB	60	01BA020BJ	63	01BA020BW	66	01BA020BX
51	01BA020BK	58	01BA020BC	61	01BA020BK	64	01BA020BX	67	01BA020BY
52	01BA020BL	59	01BA020BD	62	01BA020BL	65	01BA020BY	68	01BA020BZ
53	01BA020BM	60	01BA020BE	63	01BA020BM	66	01BA020BZ	69	01BA020CA
54	01BA020BN	61	01BA020BF	64	01BA020BN	67	01BA020CA	70	01BA020CB
55	01BA020BO	62	01BA020BG	65	01BA020BO	68	01BA020CB	71	01BA020CC
56	01BA020BP	63	01BA020BH	66	01BA020BP	69	01BA020CC	72	01BA020CD
57	01BA020BQ	64	01BA020BI	67	01BA020BQ	70	01BA020CD	73	01BA020CE
58	01BA020BR	65	01BA020BJ	68	01BA020BR	71	01BA020CE	74	01BA020CF
59	01BA020BS	66	01BA020BK	69	01BA020BR	72	01BA020CF	75	01BA020CG
60	01BA020BT	67	01BA020BL	70	01BA020BS	73	01BA020CG	76	01BA020CH
61	01BA020BU	68	01BA020BM	71	01BA020BT	74	01BA020CH	77	01BA020CI
62	01BA020BV	69	01BA020BN	72	01BA020BU	75	01BA020CI	78	01BA020CJ
63	01BA020BW	70	01BA020BO	73	01BA020BV	76	01BA020CJ	79	01BA020CK
64	01BA020BX	71	01BA020BP	74	01BA020BW	77	01BA020CK	80	01BA020CL
65	01BA020BY	72	01BA020BQ	75	01BA020BX	78	01BA020CL	81	01BA020CM
66	01BA020BZ	73	01BA020BR	76	01BA020BY	79	01BA020CM	82	01BA020CN
67	01BA020CA	74	01BA020BS	77	01BA020BZ	80	01BA020CN	83	01BA020CO
68	01BA020CB	75	01BA020BT	78	01BA020CA	81	01BA020CO	84	01BA020CP
69	01BA020CC	76	01BA020BU	79	01BA020CB	82	01BA020CP	85	01BA020CQ
70	01BA020CD	77	01BA020BV	80	01BA020CC	83	01BA020CQ	86	01BA020CR
71	01BA020CE	78	01BA020BW	81	01BA020CD	84	01BA020CR	87	01BA020CS
72	01BA020CF	79	01BA020BX	82	01BA020CE	85	01BA020CS	88	01BA020CT
73	01BA020CG	80	01BA020BY	83	01BA020CF	86	01BA020CT	89	01BA020CU
74	01BA020CH	81	01BA020BZ	84	01BA020CG	87	01BA020CU	90	01BA020CV
75	01BA020CI	82	01BA020CA	85	01BA020CH	88	01BA020CV	91	01BA020CW
76	01BA020CJ	83	01BA020CB	86	01BA020CI	89	01BA020CW	92	01BA020CX
77	01BA020CK	84	01BA020CC	87	01BA020CJ	90	01BA020CX	93	01BA020CY
78	01BA020CL	85	01BA020CD	88	01BA020CK	91	01BA020CY	94	01BA020CZ
79	01BA020CM	86	01BA020CE	89	01BA020CL	92	01BA020CZ	95	01BA020DA
80	01BA020CN	87	01BA020CF	90	01BA020CM	93	01BA020DA	96	01BA020DB
81	01BA020CO	88	01BA020CG	91	01BA020CN	94	01BA020DB	97	01BA020DC
82	01BA020CP	89	01BA020CH	92	01BA020CO	95	01BA020DC	98	01BA020DD
83	01BA020CQ	90	01BA020CI	93	01BA020CP	96	01BA020DD	99	01BA020DE
84	01BA020CR	91	01BA020CJ	94	01BA020CQ	97	01BA020DE	100	01BA020DF
85	01BA020CS	92	01BA020CK	95	01BA020CR	98	01BA020DF		
86	01BA020CT	93	01BA020CL	96	01BA020CS	99	01BA020DG		
87	01BA020CU	94	01BA020CM	97	01BA020CT	100	01BA020DH		
88	01BA020CV	95	01BA020CN	98	01BA020CU		01BA020DI		
89	01BA020CW	96	01BA020CO	99	01BA020CV		01BA020DJ		
90	01BA020CX	97	01BA020CP	100	01BA020CW		01BA020DK		
91	01BA020CY	98	01BA020CQ		01BA020CX		01BA020DL		
92	01BA020CZ	99	01BA020CR		01BA020CY		01BA020DM		
93	01BA020DA	100	01BA020CS		01BA020CZ		01BA020DN		
94	01BA020DB		01BA020CT		01BA020DA		01BA020DO		
95	01BA020DC		01BA020CU		01BA020DB		01BA020DP		
96	01BA020DD		01BA020CV		01BA020DC		01BA020DQ		
97	01BA020DE		01BA020CW		01BA020DD		01BA020DR		
98	01BA020DF		01BA020CX		01BA020DE		01BA020DS		
99	01BA020DG		01BA020CY		01BA020DF		01BA020DT		
100	01BA020DH		01BA020CZ		01BA020DG		01BA020DU		

COMMENTS

1st DATE 01 11 63
 2nd DATE 02 14 63
 3rd DATE 03 11 63
 4th DATE 04

H 16.4.63
TA 1816A

J 18.8.63
TA 1850



*1-01B4C01R	*2-01B4E03F	*3-01B4E04G	*4-01B4F03M	*5-01B4A01N	*6-01B4B03N
*7-01B4F02H	*8-01B4B03N	*9-01B4F03A	*A-01B4C02C	*B-01B4C01D	*C-01B4B02A
*10-01B4A03A	*D-01B4F04P	*E-02A9A19C	*F-02B1F02P	*G-01B4F03M	*H-02A9D17C
*11-02B1D01D	*I-01B4B01N	*J-01B4A04N	*K-01B4C04C	*L-01B7C01C	*M-01B4E04K
*12-02A9A19A	*N-02B8D03K	*O-01B4A01G	*P-01A4F246	*Q-01A6C26L	*R-01A7D25L
*13-01B4D04E	*14-02ADA13D	*15-02B1B02E	*16-01B4A01H	*17-01A6F26H	*18-01A6E26L
*19-01B2B01L	*20-01B4A01Q	*21-01A6F26Q	*22-01A6C26R	*23-01A7D25R	*24-01A7B25B

NOTE-THIS CARD MUST BE PRESENT IF EITHER THE PUNCH FEED READ UP OR THE CARD FEED COMP CFC FEATURE IS PRESENT

TAG DATE	F.C. NO.	TAG DATE	F.C. NO.	TAG DATE	F.C. NO.	TAG DATE	F.C. NO.
12-04-61	113249F	01-18-62	113330A	01-25-62	113430A	02-14-62	113530A
03-09-61	113249F	01-18-62	113330A	01-25-62	113430A	01-17-63	113430A
04-04-61	113249F						

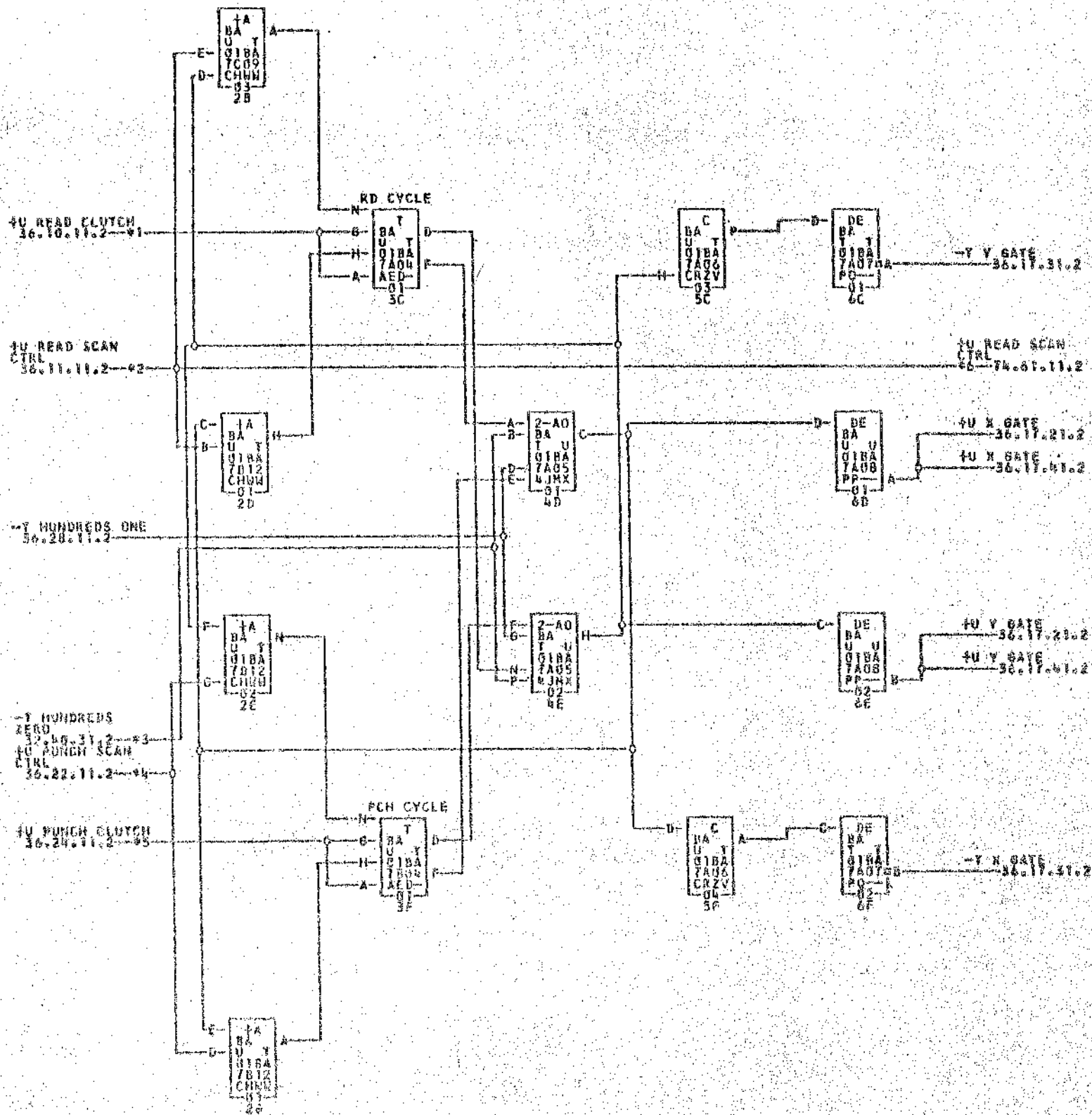
724658

A 5.4.62

TA 1233B

B 4.6.63

TA 1859



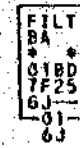
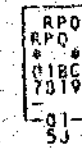
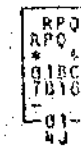
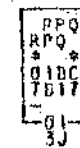
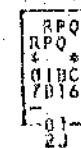
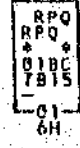
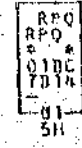
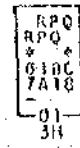
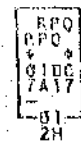
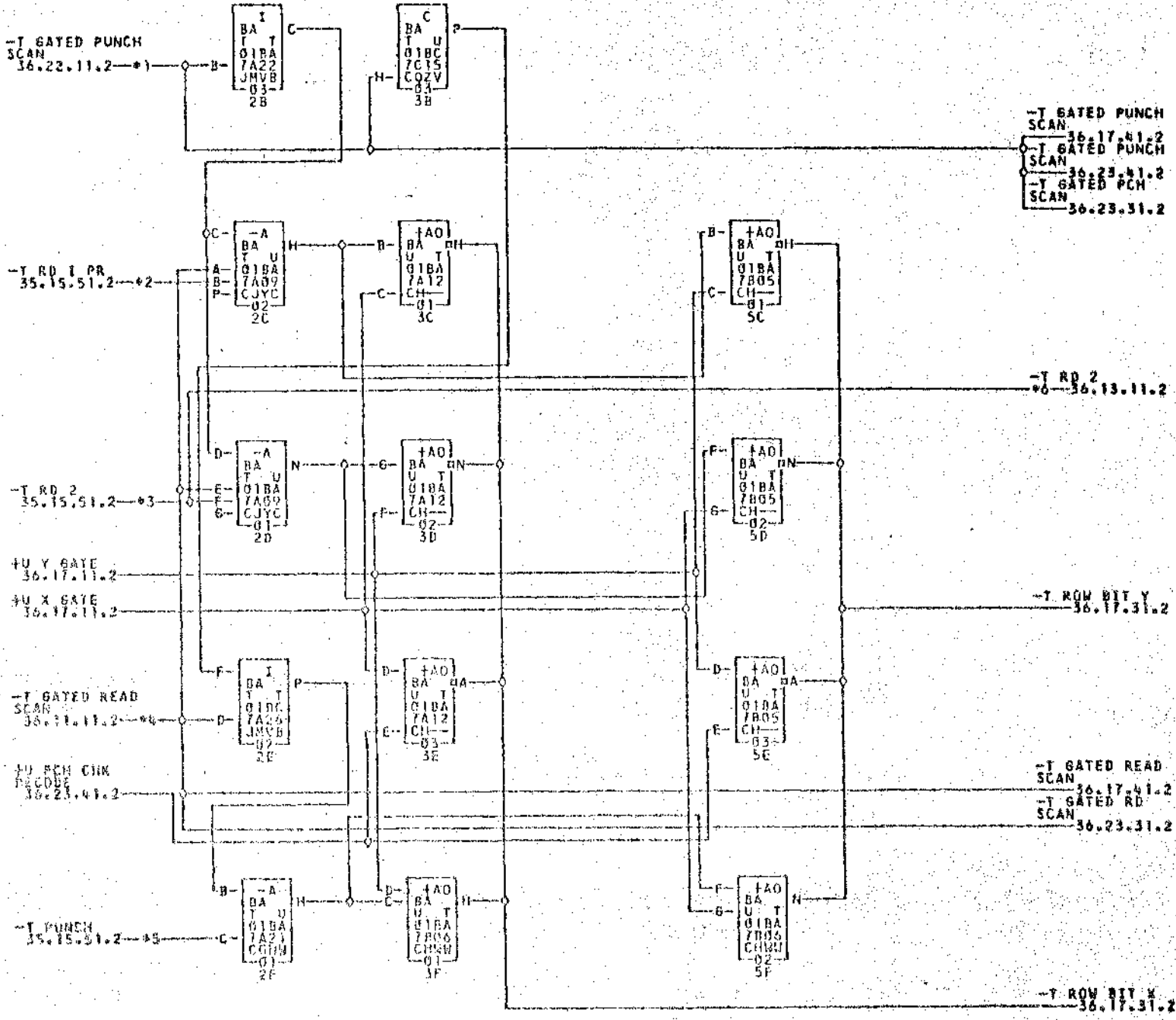
1-0123456789
 10-11-12-13-14-15-16-17-18-19-20-21-22-23-24-25-26-27-28-29-30-31-32-33-34-35-36-37-38-39-40-41-42-43-44-45-46-47-48-49-50-51-52-53-54-55-56-57-58-59-60-61-62-63-64-65-66-67-68-69-70-71-72-73-74-75-76-77-78-79-80-81-82-83-84-85-86-87-88-89-90-91-92-93-94-95-96-97-98-99-100

COMMENTS

TAG DATE: A 12-18-61 113516
 TAG DATE: B 02-28-63 114104
 TAG DATE: C
 TAG DATE: D
 TAG DATE: E
 TAG DATE: F
 TAG DATE: G
 TAG DATE: H
 TAG DATE: I
 TAG DATE: J
 TAG DATE: K
 TAG DATE: L
 TAG DATE: M
 TAG DATE: N
 TAG DATE: O
 TAG DATE: P
 TAG DATE: Q
 TAG DATE: R
 TAG DATE: S
 TAG DATE: T
 TAG DATE: U
 TAG DATE: V
 TAG DATE: W
 TAG DATE: X
 TAG DATE: Y
 TAG DATE: Z

C 7.9.62
TA 1441

D 17.5.63
TA 1859



*1-01B7D01E
01B7B03L

*2-01B7B03H

*3-01B7B03J

*4-01B7B01D

*5-01B7B03P

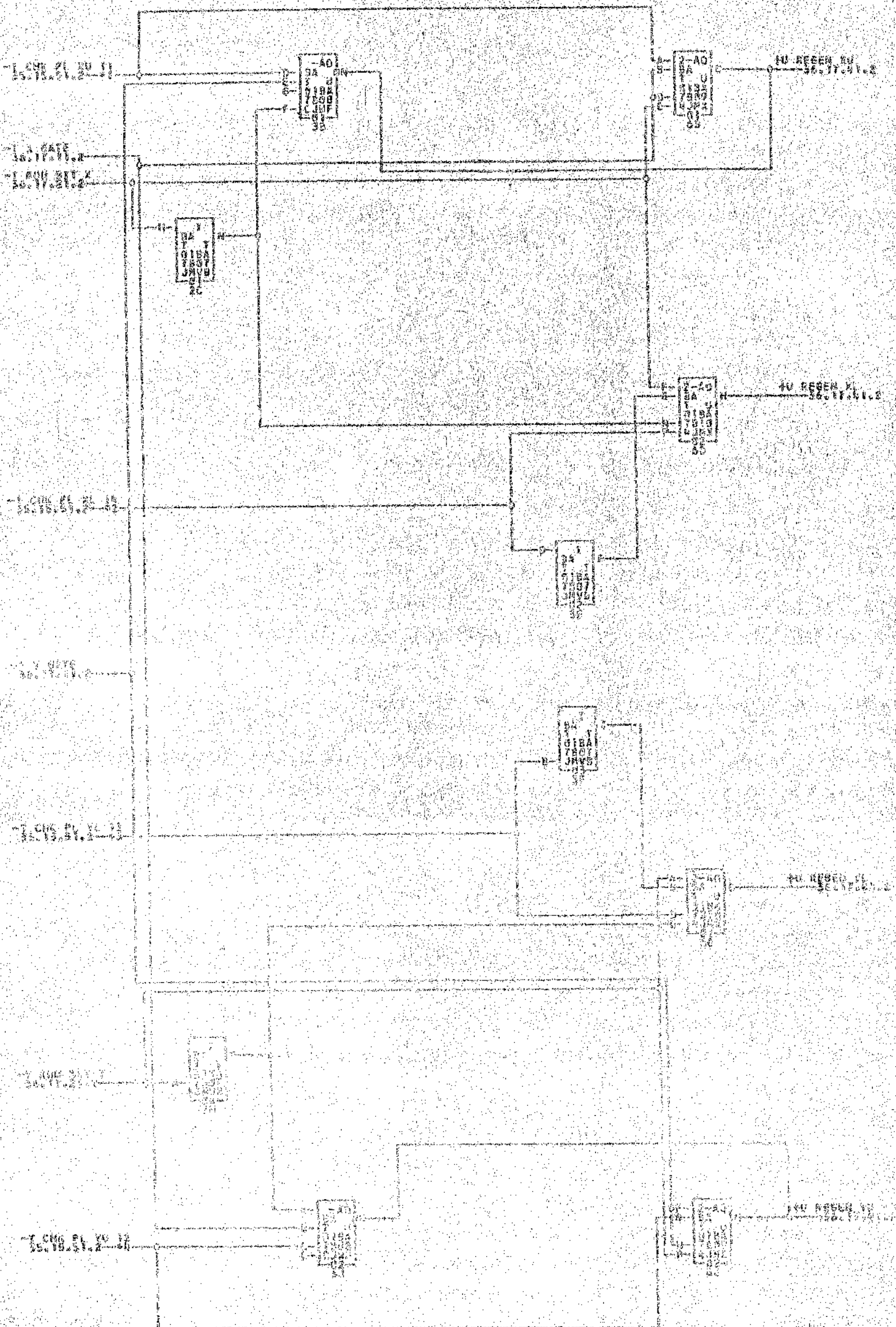
*6-01B7B01L

COMMENTS

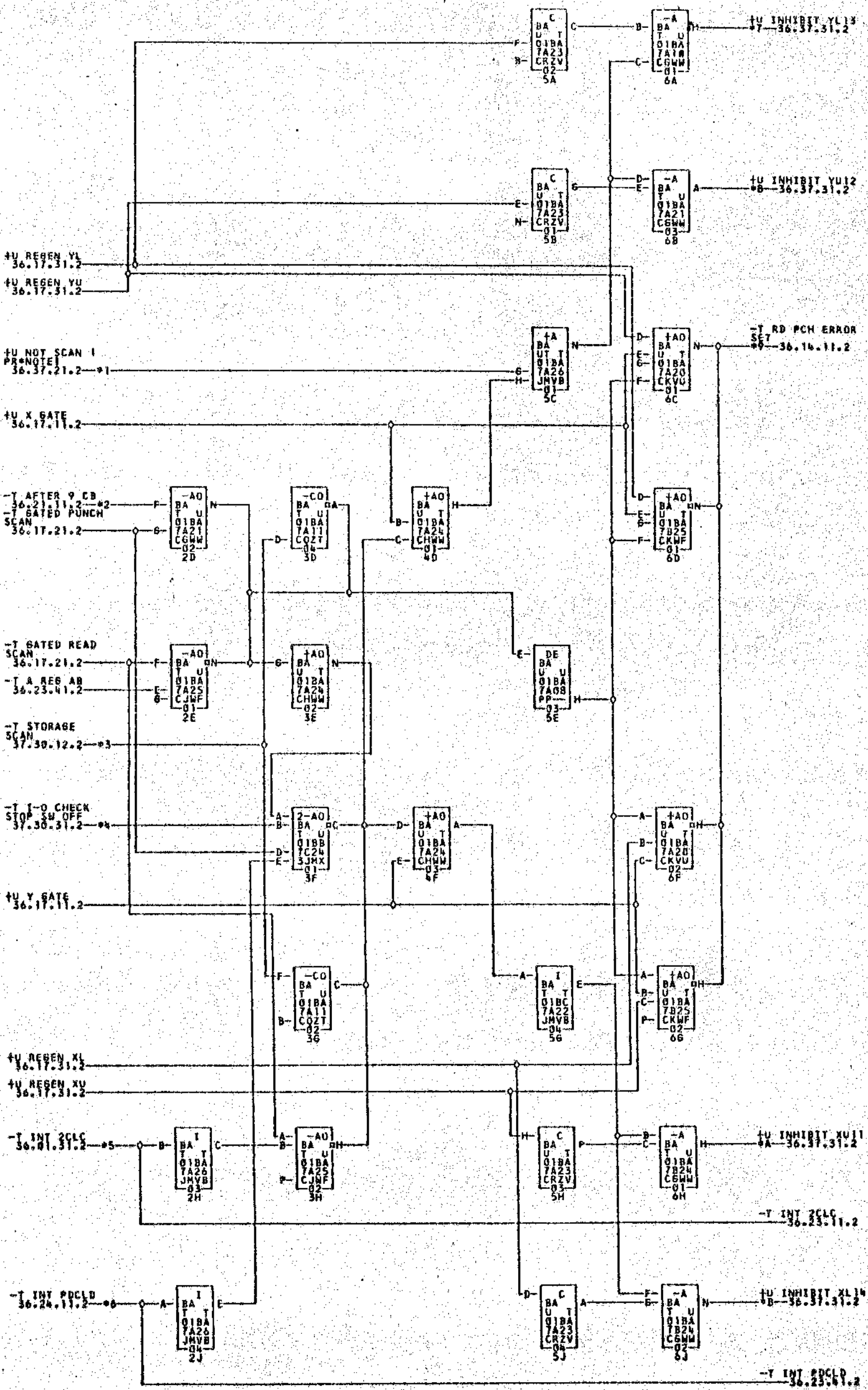
TAG DATE	E.C.NO.	TAG DATE	E.C.NO.	TAG DATE	E.C.NO.	TAG DATE	E.C.NO.
A 12-16-61	113330	B 05-03-62	116181	C 04-14-62	116151	D 02-28-63	116184

729211
1859

A 5.4.62
TA 12330
B 17.6.63
TA 1859



720112



- *1- 01B7A02P
- *2- 01B7B01G
- *3- 01B7A02N
- *4- 01B7A02E
- *5- 01B7A01Q
- *6- 01B7A01P
- *7- 01B7A02J
- *8- 01A6D25J
- *9- 01B7B01U
- *A- 01B7A02G
- *B- 01B7A02K
- *C- 01A1D02T
- *D- 01A6D25H
- *E- 01B4B03J
- *F- 01A6D25K
- *G- 01A6A24D
- *H- 01A1D02D

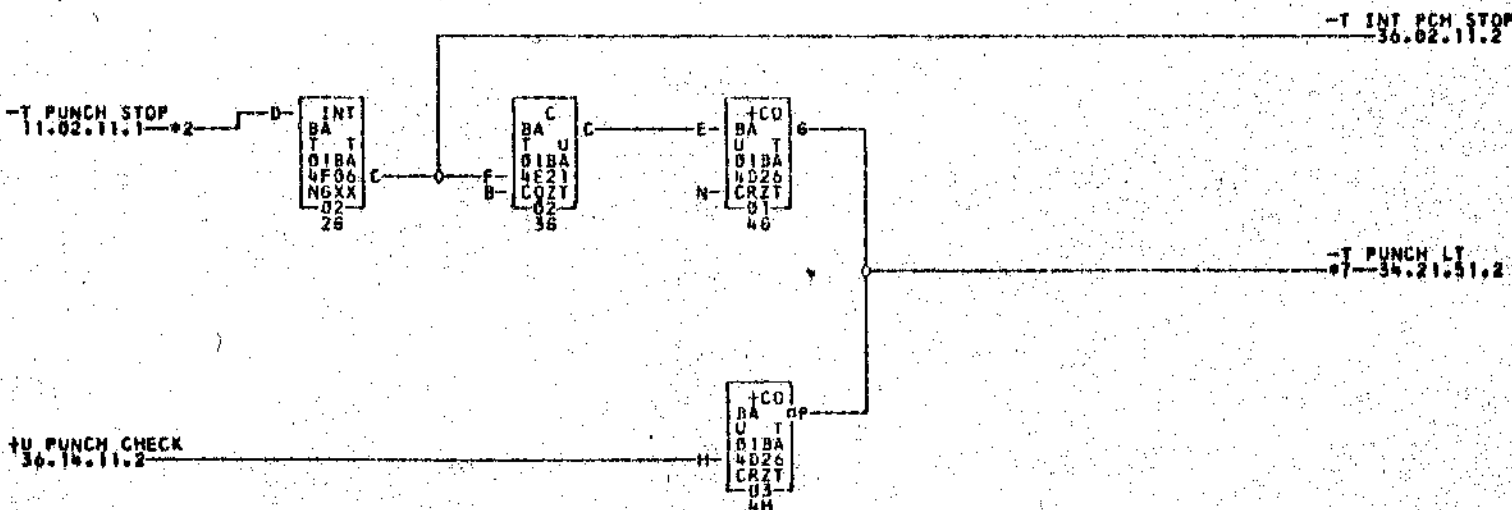
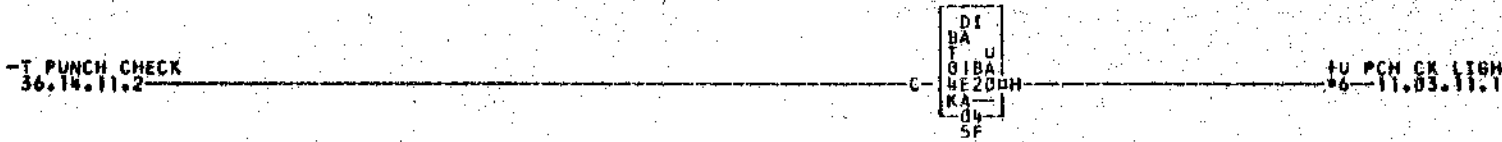
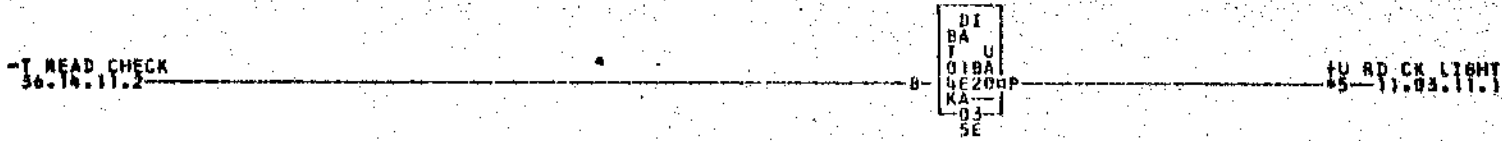
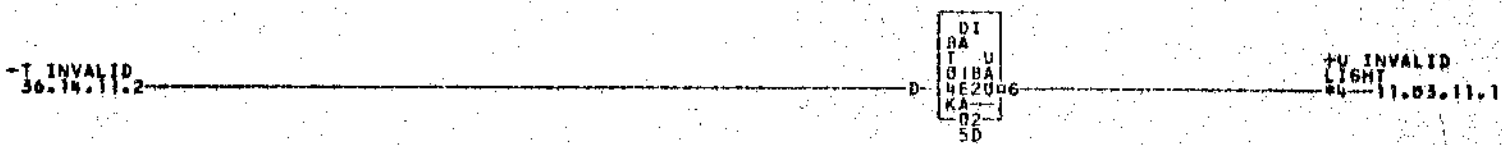
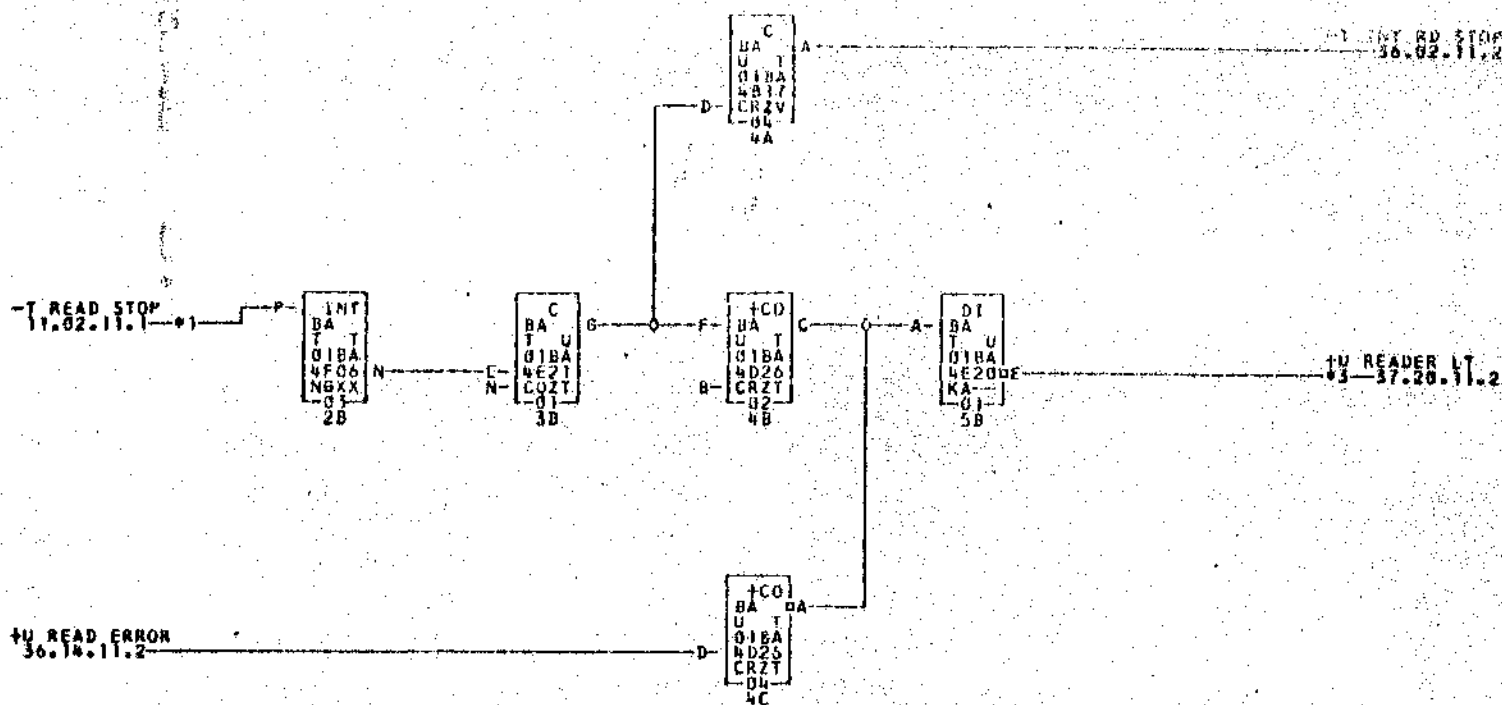
NOTE J- USED WITH MPF ONLY

TAG DATE	FIG NO.	TAG DATE	FIG NO.	TAG DATE	FIG NO.	TAG DATE	FIG NO.
A 12-10-61	115530	B 05-03-62	116194	C 01-14-62	116151	D 02-28-63	116189

729213
1859

B7.2.63
TA 1735A

C16.4.63
TA 1815A



*1-01B4C01B
*5-01B4C02E

*2-01B4D01K
RC182

*3-01B4A03C
*6-01B4D02E

31A2A19C
PC19D

*4-01B4C02F
*7-01B4B02B

RC183
D1B5A03B

COMMENTS

TAG DATE	E.C.NO.	TAG DATE	E.C.NO.	TAG DATE	E.C.NO.	TAG DATE	E.C.NO.
A 12-06-61	112269F	B 10-25-62	116727	C 01-17-63	115787		

1815 A
724659

-T START RELAY
37.10.11.2-01
+U START KEY RP
M-0
11.03.11.1-02
+U START KEY RP
M-C
11.03.11.1-03

-T START RELAY
37.11.03.11.1
+U START KEY RP
M-0
31.01.11.2
+U START KEY RP
M-C
31.01.11.2

G 16.4.68
TA 1815A

TA 804A

+U GATED WM
31.07.11.2-04

+U GATED WM
41.11.01.2

+U NOT PCH SCAN
COMP DISPL
74.21.41.2-05
-T DELTA OVLAP
CYCLE
74.31.21.2-06

+U GATED WM
36.50.11.2
+U NOT PCH SCAN
COMP DISPL
37.30.12.2
-T DELTA OVLAP
CYCLE
56.12.11.2

+U CF PROG SKIP
74.01.01.2-07
+U COL BIN PROG
SKIP
41.11.21.2-08
+U PFR PROG
SKIP
56.15.11.2-09

+U COL BIN/PFR
PROG SKIP
31.08.11.2

-T NOT I RING 1
31.31.11.1-0A

-T NOT I RING 1
41.11.41.2

+U TRANS READ
BRUSHES
56.15.11.2-0B
+U PFR DEL
PROC RESET
56.12.11.2-0C

+U TRANS READ
BRUSHES
02-11.06.11.1
+U PFR DEL
PROC RESET
03-31.02.11.2

-T PUNCH OPR
35.27.11.2-0D

-T PUNCH OPR
04-56.15.11.2

+U ADDR X63
74.06.01.2-0E

+U ADDR X63
05-74.01.11.2

+U NOT RD SCAN
COMP DISPL
74.21.41.2-0F

+U NOT RD SCAN
COMP DISPL
06-37.30.12.2

+U TIME 075-090
31.12.01.2-0G
+U R-P OVLAP
MODE DISPL
74.21.01.2-0H
-T DELTA A
CYCLE
31.22.11.2-0J

+U TIME 075-090
07-56.12.11.2
+U R-P OVLAP
MODE DISPL
08-37.30.12.2
-T DELTA A
CYCLE
09-41.11.41.2

-T I RING 5
31.31.41.2-0K

-T I RING 5
0A-74.11.11.2
-T I RING 5
0B-41.11.21.2
-T I RING 5
0C-56.15.11.2

-T TIME 105-000
31.12.42.2-0L

-T TIME 105-000
0D-56.15.11.2

+U TIME 030-060
31.12.51.2-0M

+U TIME 030-060
36.11.11.2
+U TIME 030-060
36.22.11.2

-T READ OPR
35.27.11.2-0N

-T READ OPR
0E-74.01.01.2

-T NOT PRINT
OPR
31.02.21.2-0P

-T READ OPR
0F-56.12.11.2
-T NOT PRINT
OPR
0G-41.11.21.2

+U I RING 215
31.31.31.2-0Q

+U I RING 215
0H-74.01.01.2
+U I RING 215
0J-74.31.41.2
+U I RING 215
0K-56.15.11.2
+U I RING 215
0L-41.11.21.2
+U I RING 215
0M-36.50.11.2

-T NOT START
RESET
37.30.31.2-0R

-T NOT START
RESET
36.01.21.2
-T NOT START
RESET
36.01.31.2
-T NOT START
RESET
36.10.11.2
-T NOT START
RESET
36.02.11.2
-T NOT START
RESET
36.10.21.2
-T NOT START
RESET
36.11.11.2
-T NOT START
RESET
36.10.21.2
-T NOT START
RESET
36.22.11.2
-T NOT START
RESET
36.24.11.2
-T NOT START
RESET
36.21.11.2

+U TIME 000-030
31.12.51.2-0S

+U TIME 000-030
36.10.21.2
+U TIME 000-030
36.11.11.2
+U TIME 000-030
36.21.11.2
+U TIME 000-030
36.10.11.2
+U TIME 000-030
36.22.11.2
+U TIME 000-030
36.24.11.2

-U PROCESS M
1402
99.99.91.1

-U PROCESS M
1402
00-00-PC.10.6

724660

COMMENTS
SIGNALS PRECEDED BY AN ASTERISK
INDICATE DIRECT CABLE EXPANSION.

TAG DATE	E.C. NO.	TAG DATE	E.C. NO.	TAG DATE	E.C. NO.	TAG DATE	E.C. NO.
A 12-06-61	112269P	B 01-10-62	113538A	C 01-25-62	113838A	D 02-19-62	115252A
E 07-26-62	116228	F 10-25-62	116727	G 01-17-63	116787	H 09-17-63	118375C

018.4.62
TA 1815A

112.11.62
TA 604A

*1 0184A03L
 *2 0184C02D
 *3 0184C02K
 *4 0184B01Q
 *5 0184F04A
 *6 0184F04F
 *7 0184E04F
 *8 0184F02F
 *9 0184F01J
 *A 0184F01K
 *B 0184C01F
 *C 0184D03C
 *D 0184A03K
 *E 0184F04B
 *F 0184A02Q
 *G 0184F04C
 *H 0184E01J
 *I 0184E01S
 *L 0184A02E
 *M 0184A02D
 *N 0184D01B
 *P 0184E01L
 *Q 0184E02E
 *R 0184A03H
 *S 0184D02G
 *T 0184A01B
 *U 0184D01D
 *V 0184F04N
 *W 0184A03G
 *X 0184C04E
 *Y 0184E01A
 *Z 0184F02D
 01 0184C02M
 02 0184E01E
 03 0184C03H
 04 0184E04R
 05 0184A03J
 06 0184C04D
 07 0184A03M
 08 0184F02Q
 09 0184F03L
 10 0184F03I
 11 0184C04J
 12 0184E03L
 13 0184F03K
 14 0184F03R
 15 0184F03B
 16 0184E03B
 17 0184F03B
 18 0184F03B
 19 0184F03B
 20 0184F03B

01A6E26H
 01B2B04A
 02A9D01B
 RC199
 01B7A01H
 02A9A11B
 02A9E03B
 02A9D15C
 02A9D15C
 01B7E03F
 01B7C01J
 02A9A01E
 01B7B01K
 02A9F05B
 02A9F01C
 02A9E03B
 01B7E03B
 02A9B01C

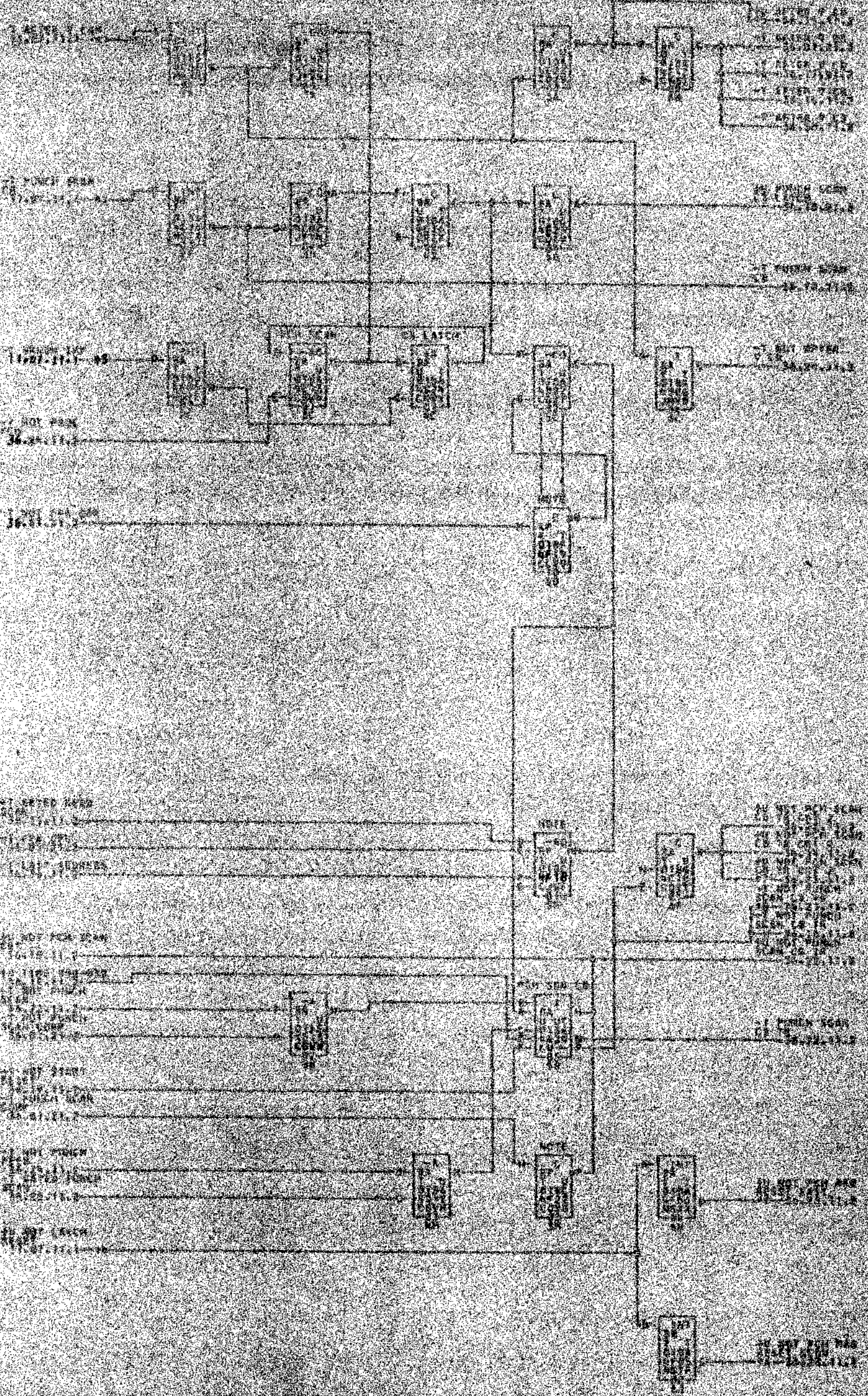
01A6E26H
 02B8F02M
 02B8F01D
 02B8D03K
 02B8F01Q
 02B1C02M
 02B8F02L
 02B8D03L
 02B8F01K
 02B8D03B
 02B1C02M
 02B8F02D

01B2B01M

COMMENTS
 SIGNALS PRECEDED BY AN ASTERISK
 INDICATE DIRECT CABLE EXPANSION.

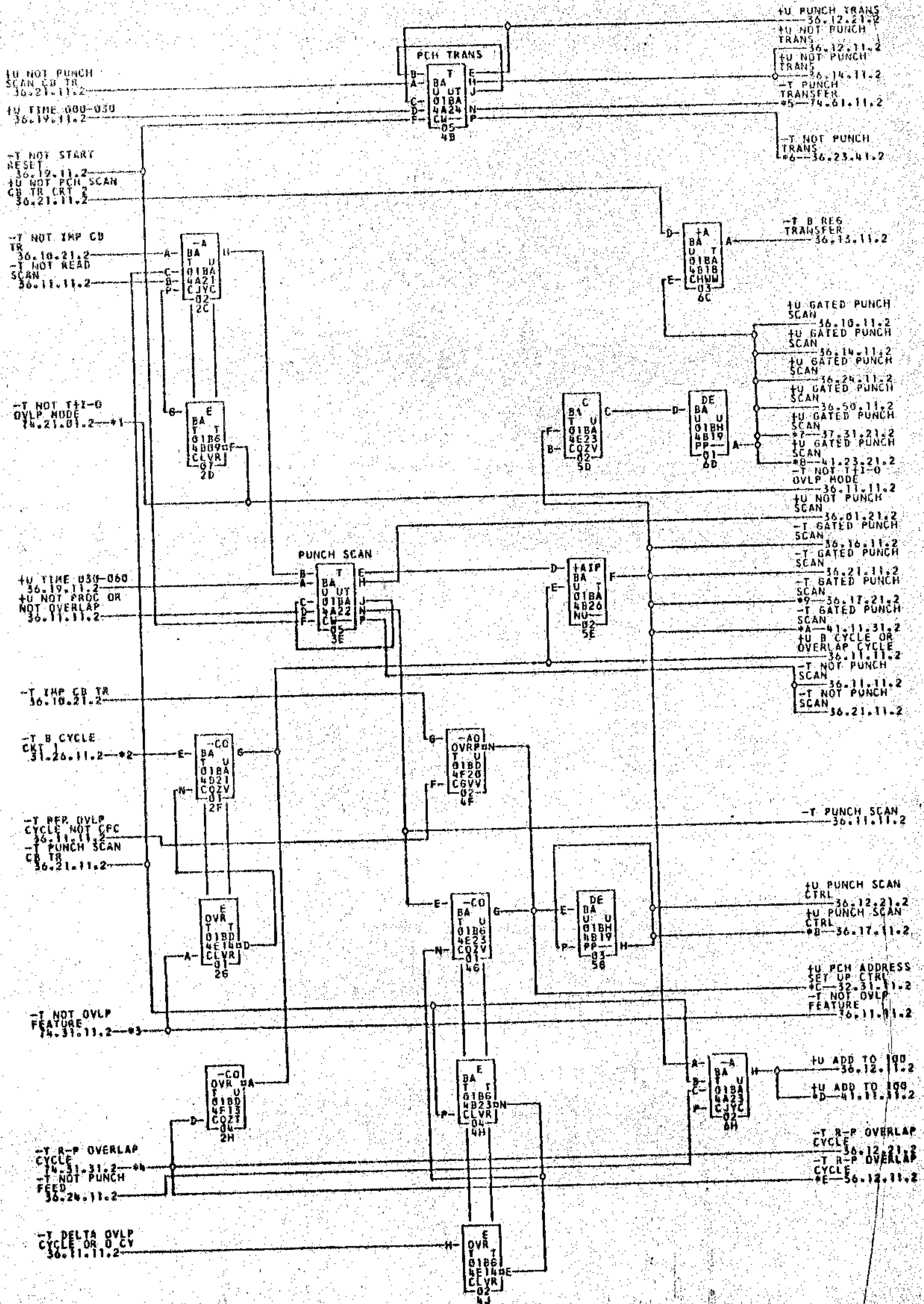
TAG DATE	E.C. NO.	TAG DATE	E.C. NO.	TAG DATE	E.C. NO.	TAG DATE	E.C. NO.
A 12-06-61	112267F	B 01-18-62	113539A	C 01-27-62	115030A	D 02-14-63	116532A
E 07-26-62	116228	F 10-25-62	116727	G 01-17-63	116767	H 04-14-63	118375C

724660



NOT FOR SCAN NOT FOR SEARCH NOT FOR INDEX NOT FOR MATCH NOT FOR PUNCH NOT FOR LEACH

TA 185V

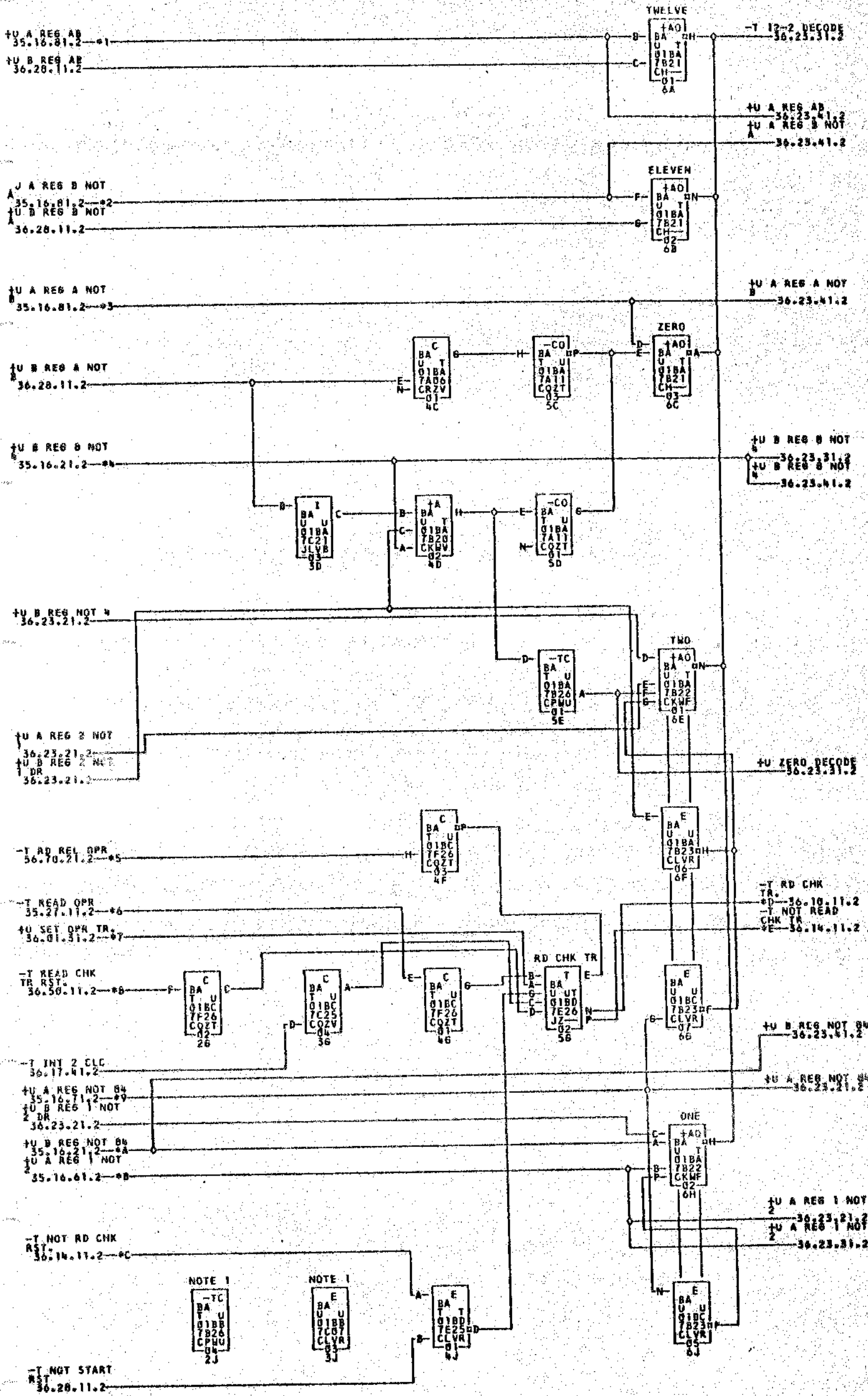


- *1-0184F03E
- *2-0184E01A
- *3-0184D09M
- *4-0184D04H
- *5-0184E00J
- *6-02A9A17A
- *7-0184A03E
- *8-0184F03E
- *9-0184B03C
- *A-0184A01E
- *B-02A9D110
- *C-0184A01E
- *D-01A6C26A
- *E-0184C04H
- *F-02B0F81E

COMMENTS

TAG DATE	F.C. NO.	TAG DATE	F.C. NO.	TAG DATE	F.C. NO.	TAG DATE	F.C. NO.
A 12-06-61	112303	P 01-10-62	116723	G 01-17-63	11830A	H 03-28-63	11922A
E 05-18-62	115303	P 10-25-62	116723	G 01-17-63	11830A	H 03-28-63	11922A

1859



- *1-01870036
- *2-0187003F
- *3-0187003E
- *4-0187003J
- *5-0187003H
- *6-0187003D
- *7-0187003P
- *8-01870030
- *9-0187003B
- *A-0187003L
- *B-0187003N
- *C-0187003M

NOTE 1- THESE CIRCUITS RESERVED FOR THE
 COMMENTS
 TAG DATE FIG NO. TAG DATE FIG NO. TAG DATE FIG NO. TAG DATE FIG NO.
 A 12-18-61 115330 B 05-05-62 116147 C 02-28-63 116184 D 03-28-63 116184

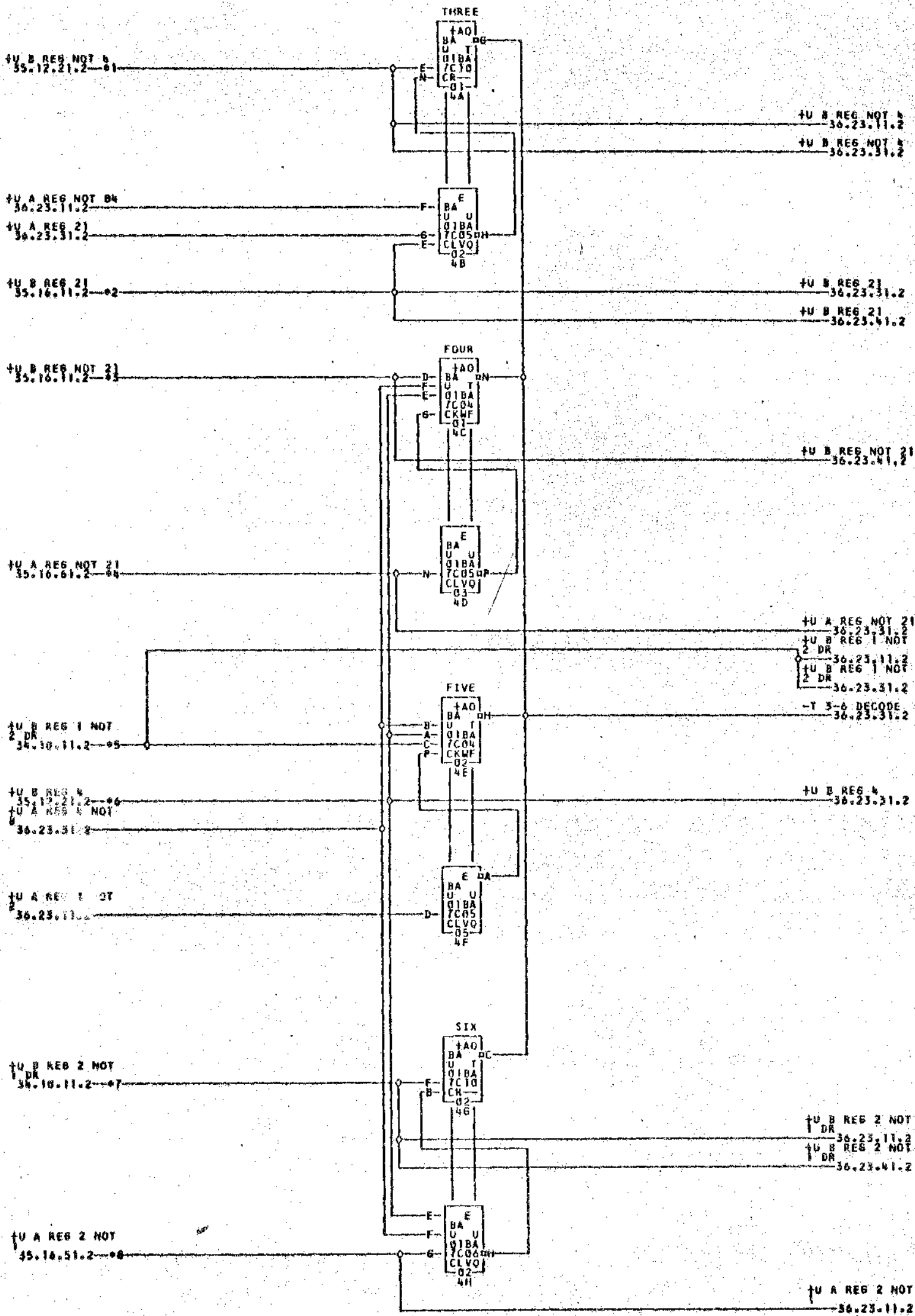
729214
1859

A 5.4.62

TA 1233B

B 30.6.63

TA 1859



*1-01B7A03E
*7-01B7A03C

*2-01B7A03A
*8-01B7A030

*3-01B7A03B

*4-01B7B03A

*5-01B7B03R

*6-01B7A03D

COMMENTS

TAG DATE	E.C.NO.	TAG DATE	E.C.NO.	TAG DATE	E.C.NO.	TAG DATE	E.C.NO.
A 12-18-61	113530	B 02-28-63	114184				

729215
1859

0729216

PUNCH DECODE

1901 BA

36.23.31.2

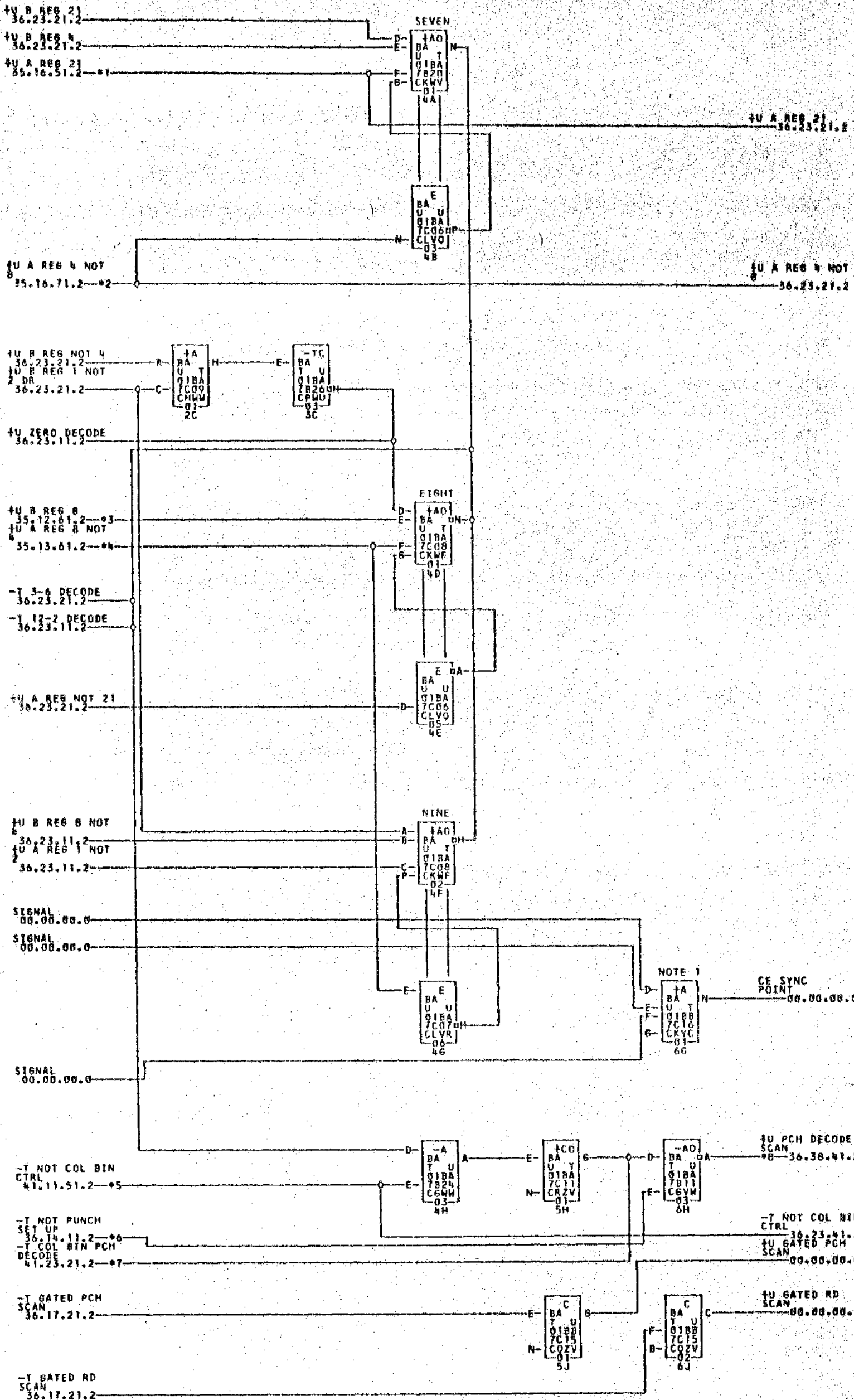
TAG DATE

B 23.10.62

TA 1678B

C 27.6.63

TA 1859



*1-01B7A03R

*2-01B7B03B

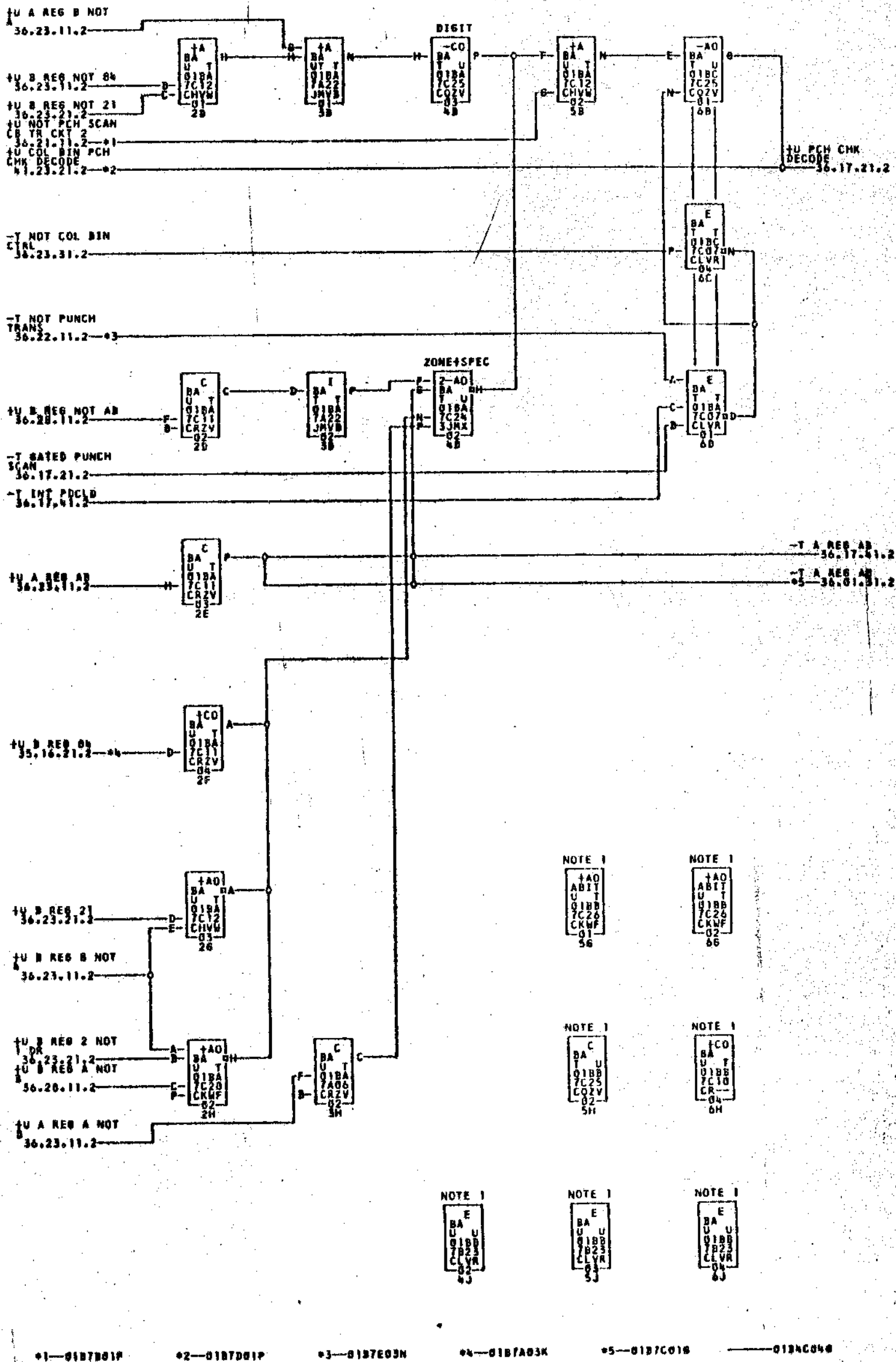
*3-01B7C03B

*4-01B7B03C

*5-01B7D01M

*6-01B7E03K

Handwritten notes and markings at the bottom right corner of the page, including a large '2' and some illegible scribbles.



NOTE 1- THESE CIRCUITS RESERVED FOR THE A BIT ON INDI RPO

DATE	F.C. NO.	DATE	F.C. NO.	DATE	F.C. NO.	DATE	F.C. NO.
A 12-18-61	513530	B 05-05-62	116161	C 02-28-63	116186		

129217
1853

+U NOT PCH MAG
RESET SLOW
36.21.11.2 --*1
+U NOT PRINT
SCAN
36.31.41.2 --*2

+U NOT PCH MAG
RESET FAST
36.21.11.2 --*3

-T READ SCAN TR
36.11.11.2 --*4

+U LOAD LATCH
31.07.11.2 --*5

+U NOT CF OPR
74.61.01.2 --*6

+U CF OPR
74.61.01.2 --*7

-T GATED WM
31.07.11.2 --*8

-T HUNDREDS ONE
32.40.31.2 --*9

-T NOT IMP CB
TR
36.10.21.2 --*A

-T B REG NOT C
35.14.11.2 --*B

+U R-P
SCAN
36.11.11.2 --*C

-T NOT START
RESET
36.31.01.2 --*D

-T TIME 015-045
31.12.22.2 --*E

+T RESET 1
36.29.11.2
+T RESET 1
36.29.21.2
+T RESET 1
36.29.31.2

+T RESET 2
36.29.31.2
+T RESET 2
36.29.41.2
+T RESET 2
36.29.51.2

-T READ SCAN TR
*X-56.00.11.2

+U LOAD LATCH
*L-56.00.11.2

+U NOT CF OPR
*M-32.31.11.2

+U CF OPR
*N-74.66.01.2

-T GATED WM
*P-41.11.21.2

-T HUNDREDS ONE
*Q-36.16.11.2

-T HUNDREDS ONE
*R-36.17.11.2

-T NOT IMP CB
*S-56.00.11.2

-T B REG NOT C
*S-41.23.31.2

+U R-P
SCAN
*Y-32.42.11.2

-T NOT START
RESET
*U-41.23.21.2

-T NOT START
RST
36.25.11.2

-T TIME 015-045
*V-17.01.11.2

-T B REG A
35.13.21.2 --*F

-T B REG B
35.13.01.2 --*G

-T B REG NOT A
35.13.21.2 --*H

-T B REG NOT B
35.13.01.2 --*J

+U B REG AB
36.23.11.2

+U B REG B NOT
A
36.23.11.2

+U B REG A NOT
B
36.23.11.2

+U B REG A NOT
B
36.23.41.2

+U B REG A NOT
B
36.23.41.2

+U B REG A NOT
B
56.13.11.2

+U B REG NOT AB
36.23.41.2

+U B REG NOT AB
*X-36.13.31.2

- *1-01B7D01A
- *2-01B7D01K
- *3-01B7A01F
- *4-01B7D01P
- *5-01A6A24K
- *6-01A6A24M
- *7-02H8E01E
- *8-02A9D01E
- *9-02B8E01N

- *7-01B7A02L
- *8-01B7A01F
- *9-01B7C01J
- *A-01A8E24P
- *B-01A1D02M
- *C-01A1D02N
- *D-01B7D01A
- *E-01B7D01K
- *F-01B7D01E

- *3-01B7A01G
- *4-01B7C01P
- *5-01B7A01H
- *6-01A7E03L
- *7-01A1E03M
- *8-01A1E03N
- *9-01B4E01A
- *A-01B7D02K
- *B-01B7D01K

- *4-01B7E01E
- *5-01B7A01K
- *6-01B7A01H
- *7-01A8E24R
- *8-01A7E02L
- *9-01A7E02M
- *A-01B7D02N
- *B-01A8E24K
- *C-01B4D01K

- *5-01B7A01L
- *6-01B7C01H
- *7-01B7A01H
- *8-01B7A01H
- *9-01B7A01H
- *A-01B7A01H
- *B-01B7A01H
- *C-01A8E24N
- *D-01B7D01B
- *E-01B7E01L

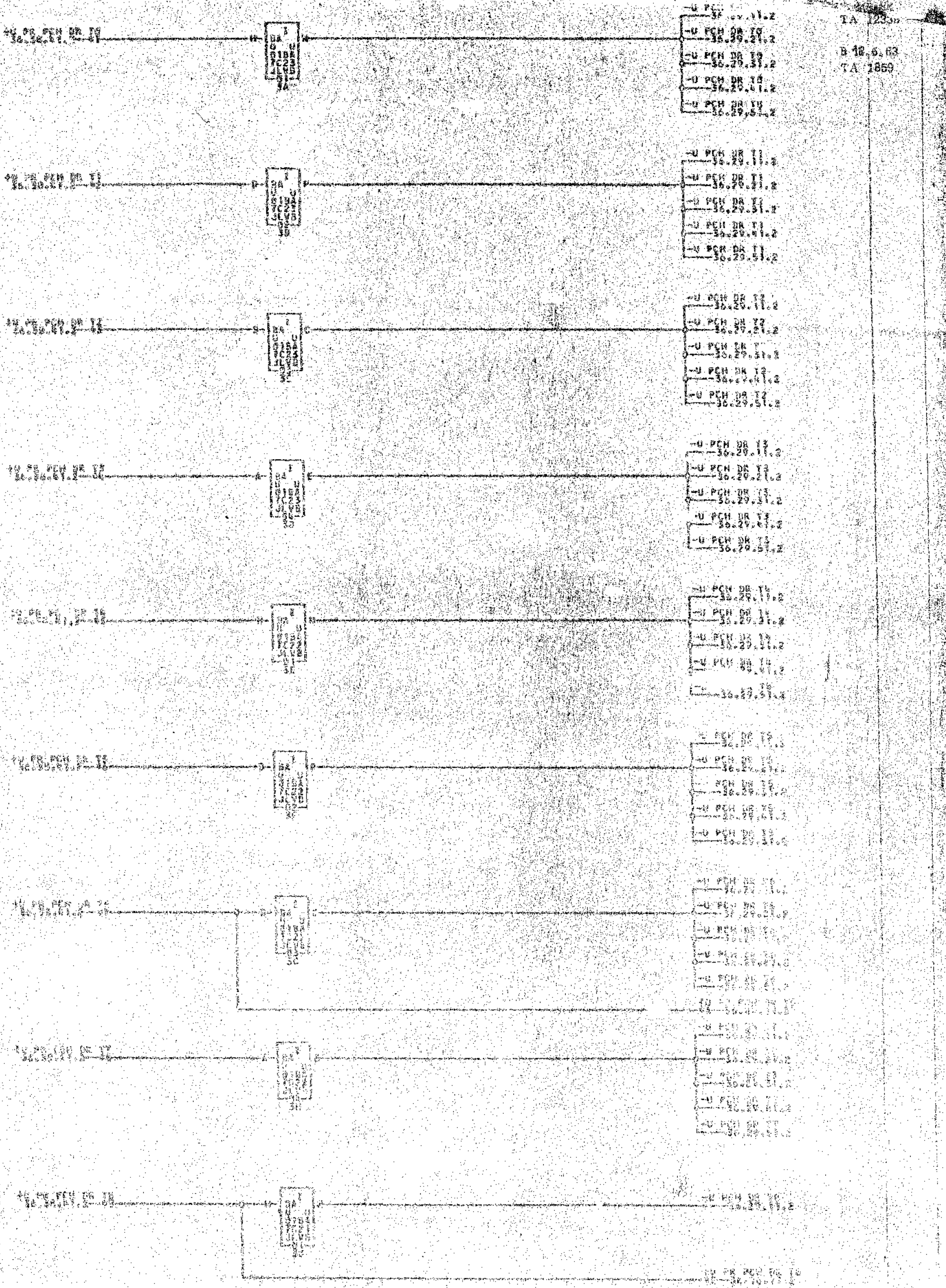
- *6-01B7D01D
- *7-01B7A01A
- *8-01B7C01A
- *9-01B7C01A
- *A-01A6D25D
- *B-01A6D25A
- *C-02A9C19E
- *D-01B7D01B
- *E-02A9C17E
- *F-01B4F01L

COMMENTS

TAG DATE E.C.NO. TAG DATE E.C.NO. TAG DATE E.C.NO. TAG DATE E.C.NO.

A 12-10-61 113530 B 02-20-63 114184 C 03-20-63 114184A

729218



TA 1230
 B 12.5.83
 TA 1859

10-100K 10-100K 10-100K 10-100K 10-100K 10-100K

CONTENTS: PCH DR 10, PCH DR 11, PCH DR 12, PCH DR 13, PCH DR 14, PCH DR 15, PCH DR 16, PCH DR 17, PCH DR 18

0729290

PUNCH MATRIX 5-1

1401-BA

36.29.11.2

TAG DATE

-V PCH DR 18
36.28.21.2

-V PCH DR 19
36.28.21.2

-V PCH DR 11
36.28.21.2

-V PCH DR 12
36.28.21.2

-V PCH DR 13
36.28.21.2

-V PCH DR 14
36.28.21.2

-V PCH DR 15
36.28.21.2

-V PCH DR 16
36.28.21.2

-V PCH DR 17
36.28.21.2

-V PCH DR 18
36.28.21.2

-V PCH DR 19
36.28.21.2

+I RESET 1
36.28.11.2

-V PCH DR 15
36.28.21.2

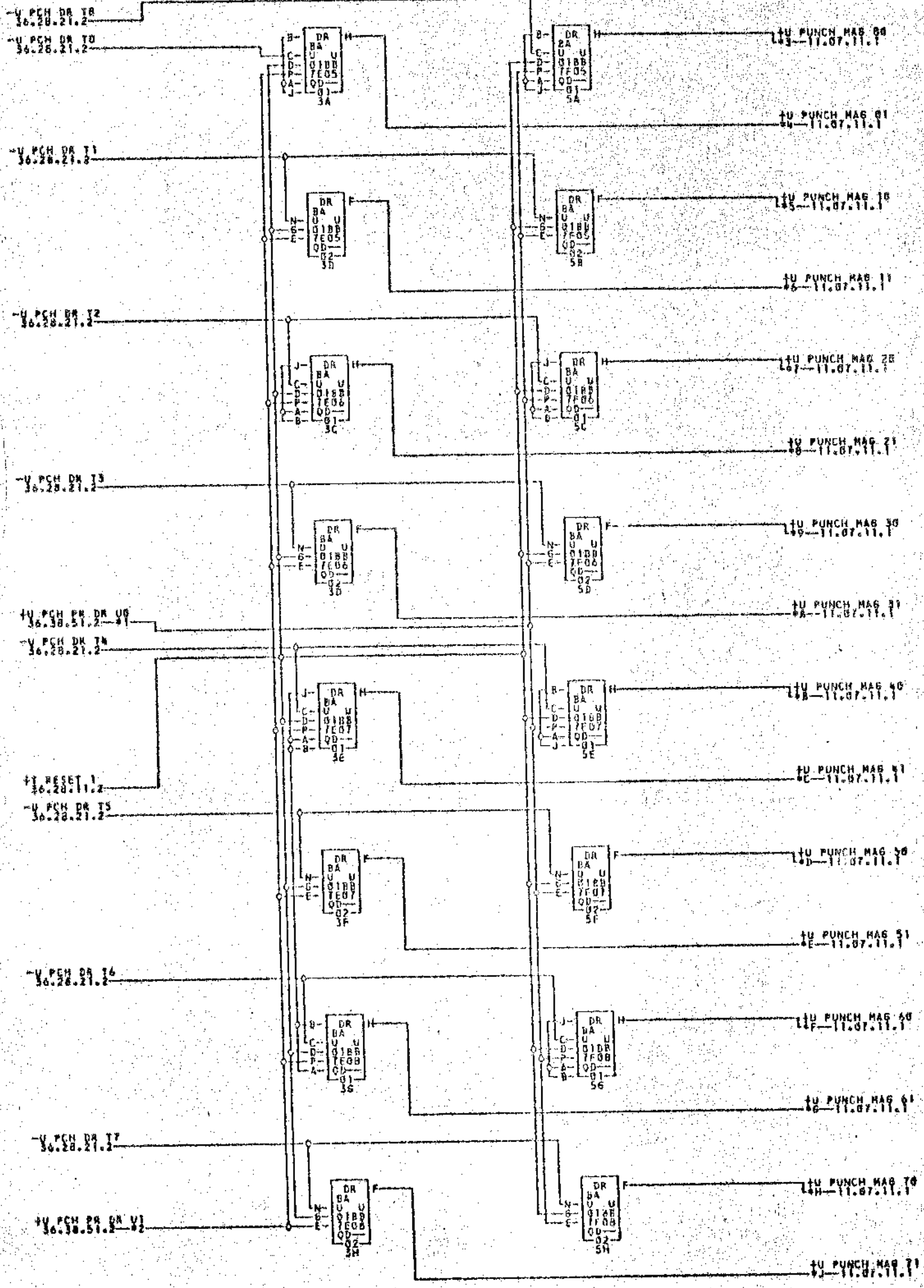
-V PCH DR 16
36.28.21.2

-V PCH DR 17
36.28.21.2

-V PCH DR 18
36.28.21.2

-V PCH DR 19
36.28.21.2

+V PCH DR DR V1
36.28.51.2



A 5.4.62
TA 1233B
B 29.6.63
TA 1859

01=0187E02A 02=0187E03B 03=0187E04A 04=0187E01A 05=0187E01B 06=0187E01C
 07=0187E02B 08=0187E02C 09=0187E02D 10=0187E02E 11=0187E02F 12=0187E02G

COMMENTS

TAG DATE E.C.NO. TAG DATE E.C.NO. TAG DATE E.C.NO. TAG DATE E.C.NO.
 A 12-18-63 115523 B 02-28-63 115524 C 02-28-63 115525 D 02-28-63 115526

0729221

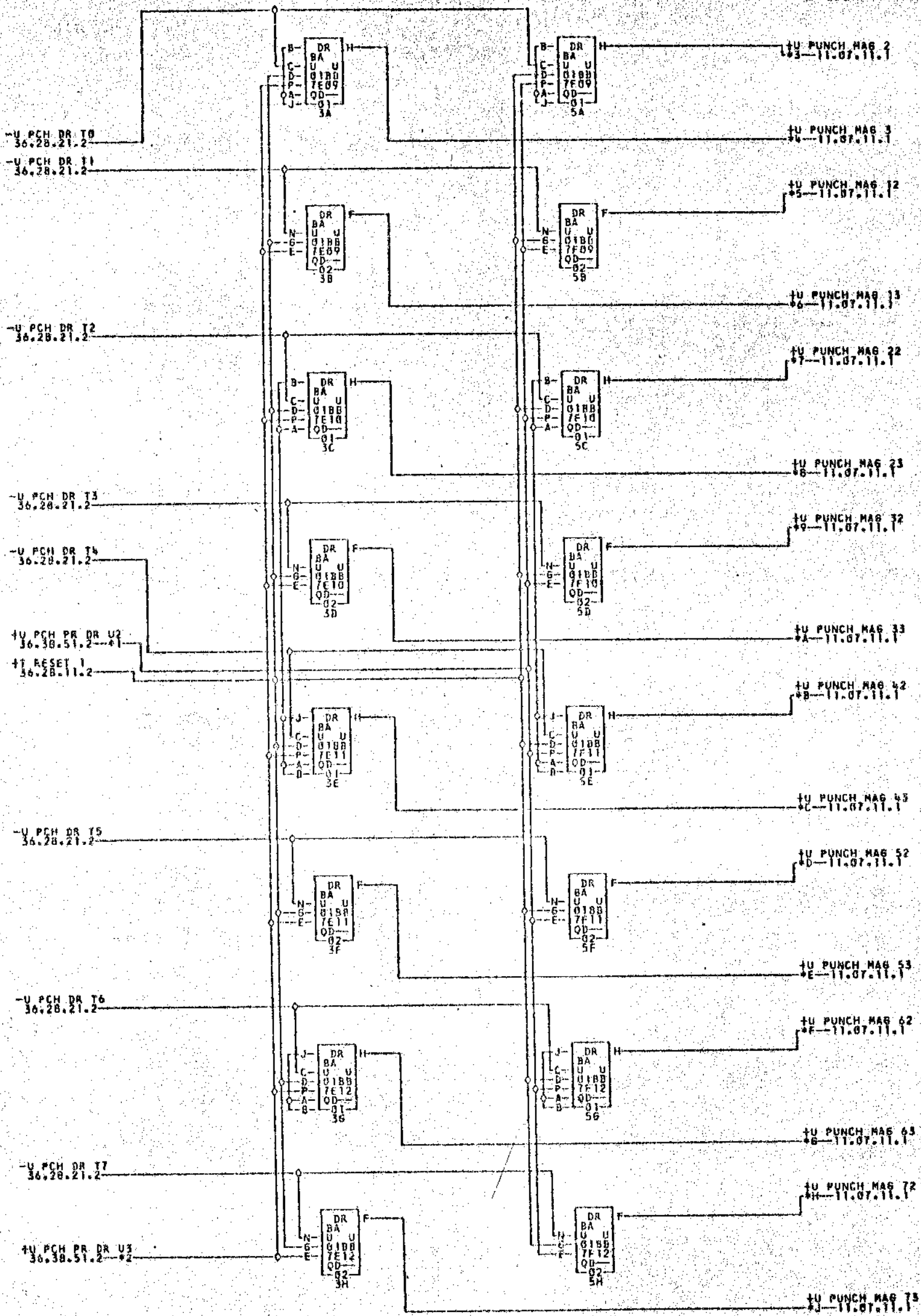
PUNCH MATRIX 2-3

1401 BA

36.29.21.2

TAG DATE

A 5.4.62
TA 1233B
B 27.6.63
TA 1859



*1-0187C02C
*2-0187F02F
*3-0187F02D

*4-0187C02D
*5-0187F02E
*6-0187F02E

*7-0187F01B
*8-0187F02A
*9-0187F02P

*A-0187E01C
*B-0187F01A
*C-0187F02Q

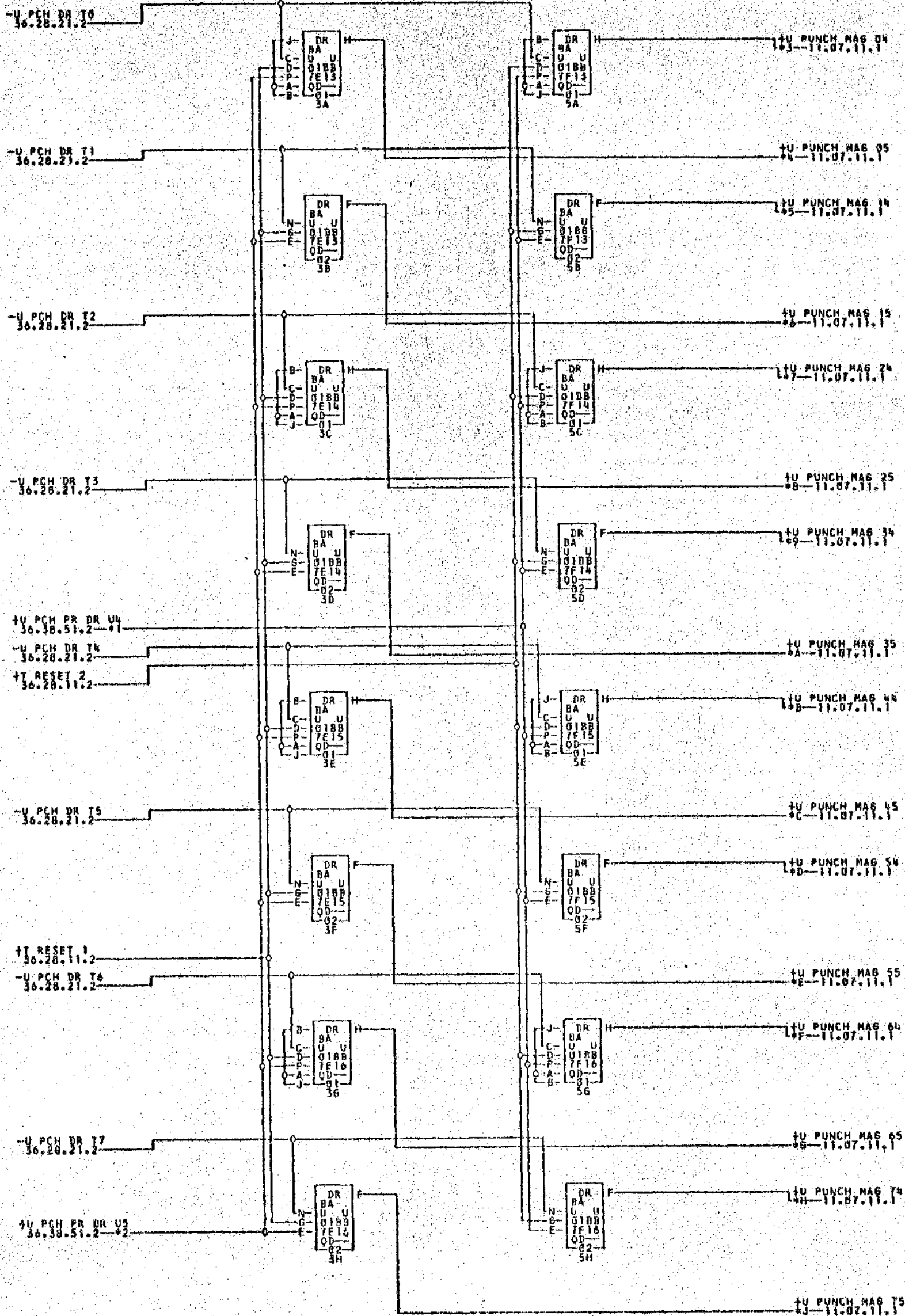
*D-0187F01R
*E-0187F03A
*F-0187F03A

*G-0187F01S
*H-0187F03S

COMMENTS

TAG DATE	E.C. NO.	TAG DATE	E.C. NO.	TAG DATE	E.C. NO.	TAG DATE	E.C. NO.
A 12-16-61	113530	B 02-20-63	114184				

6581
177671
1959



A 5.4.62
TA 1239B
B 22.6.63
TA 1859

- *1-0187C02E
- *2-0187C02F
- *3-0187E01D
- *4-0187E01E
- *5-0187E01F
- *6-0187E01G
- *7-0187F02A
- *8-0187F02B
- *9-0187F01H
- *A-0187F01C
- *B-0187F01M
- *C-0187E010
- *D-0187E01N
- *E-0187F02K
- *F-0187F01L

COMMENTS

TAG DATE	E.C. NO.	TAG DATE	E.C. NO.	TAG DATE	E.C. NO.	TAG DATE	E.C. NO.
A 12-18-60	113530	B 02-25-63	114104				

729222
1859

-V PCH DR 10
36.28.27.2

-V PCH DR 11
36.28.27.2

-V PCH DR 12
36.28.27.2

-V PCH DR 13
36.28.27.2

+V PCH PR DR 07
36.28.57.2

+V PCH PR DR 08
36.28.57.2

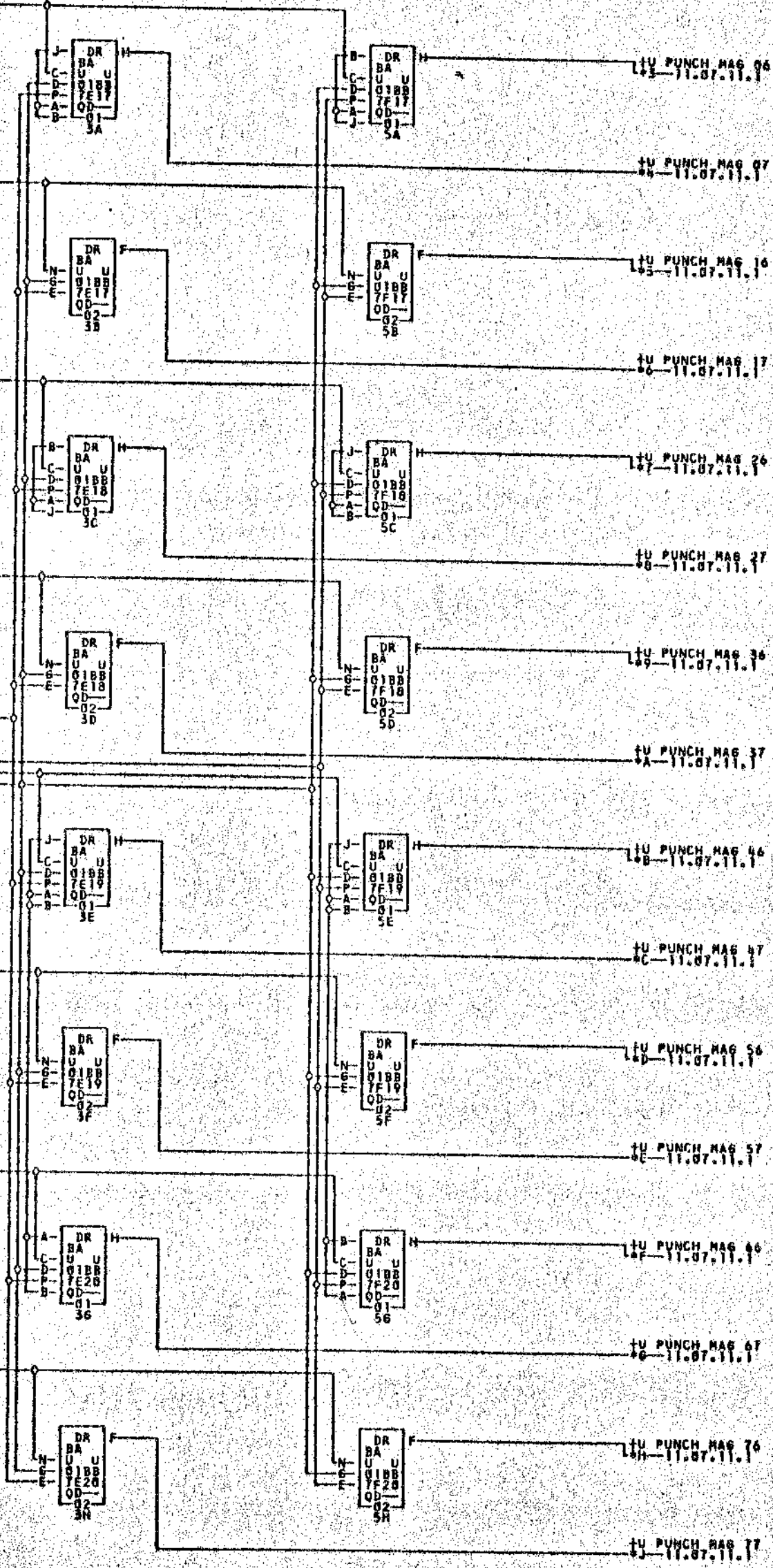
+I RESET 2
36.28.11.2

-V PCH DR 14
36.28.27.2

-V PCH DR 15
36.28.27.2

-V PCH DR 16
36.28.27.2

-V PCH DR 17
36.28.27.2



A 3.4.62
TA 1233B
B.2.6.63
TA 1859

- 11-0187502H
- 12-0187502B
- 13-0187501F
- 14-0187501G
- 15-0187501D
- 16-0187502A
- 17-0187503B
- 18-0187501E
- 19-0187503C
- 20-0187502A
- 21-0187501D
- 22-0187503A

COMMENTS TAG DATE E.C.NO. TAG DATE E.C.NO. TAG DATE E.C.NO. TAG DATE E.C.NO.

12-18-61 113538 02-28-63 114184

729223
1859

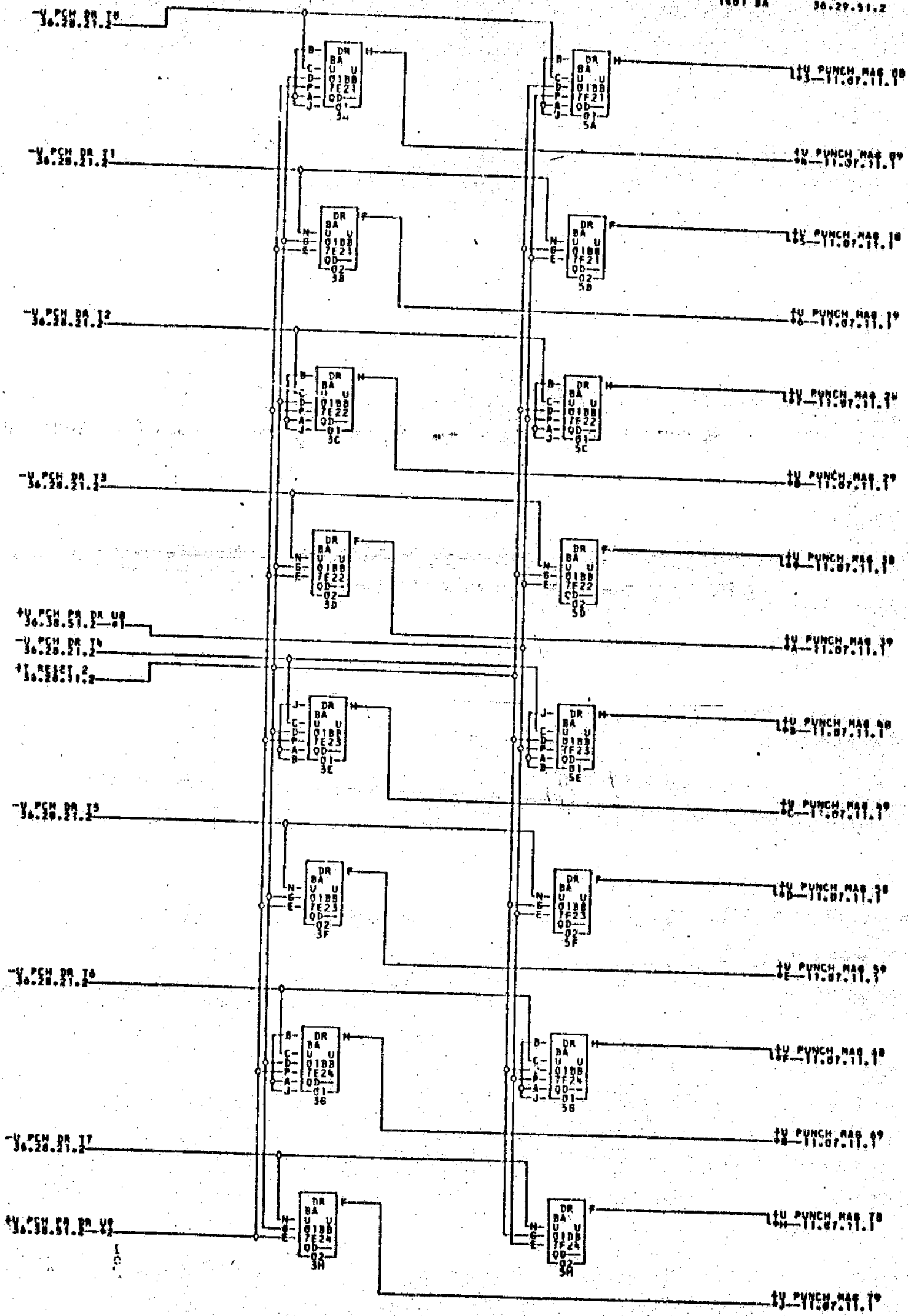
6729224

PUNCH MATRIX B-9

1961 BA 36.29.51.2

TAG DATE

A 5.4.82
TA 12338
B 25.6.63
TA 1859

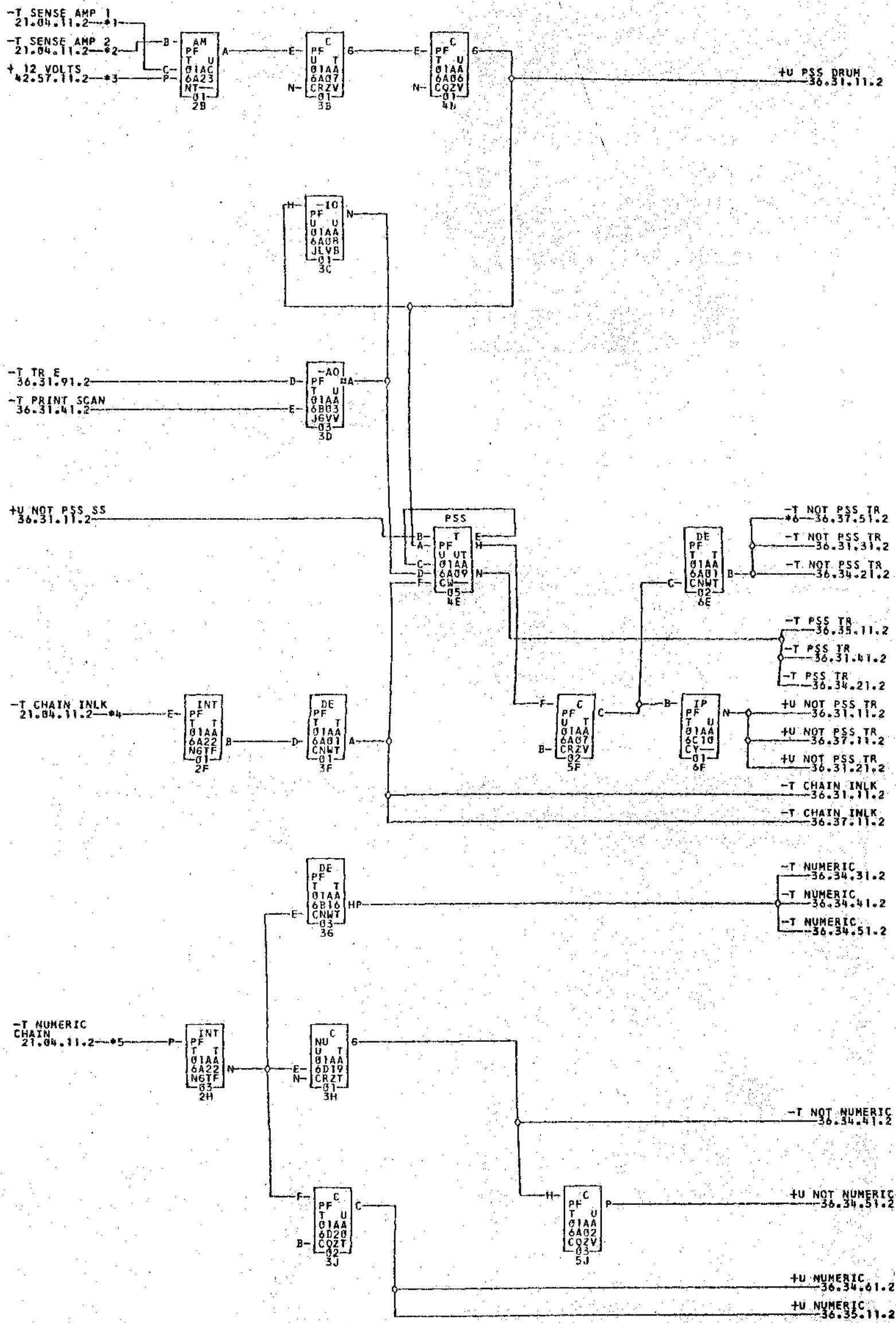


- 01-0187C02J
- 02-0187C02K
- 03-0187C01N
- 04-0187C01J
- 05-0187C02H
- 06-0187C02C
- 07-0187F02L
- 08-0187F02M
- 09-0187F03B
- 0A-0187F01G
- 0B-0187F01E
- 0C-0187F02H
- 0D-0187F02A
- 0E-0187F03D

COMMENTS

TAG DATE	E.C.NO.	TAG DATE	E.C.NO.	TAG DATE	E.C.NO.	TAG DATE	E.C.NO.
A 12-18-61	113538	B 02-26-63	114184				

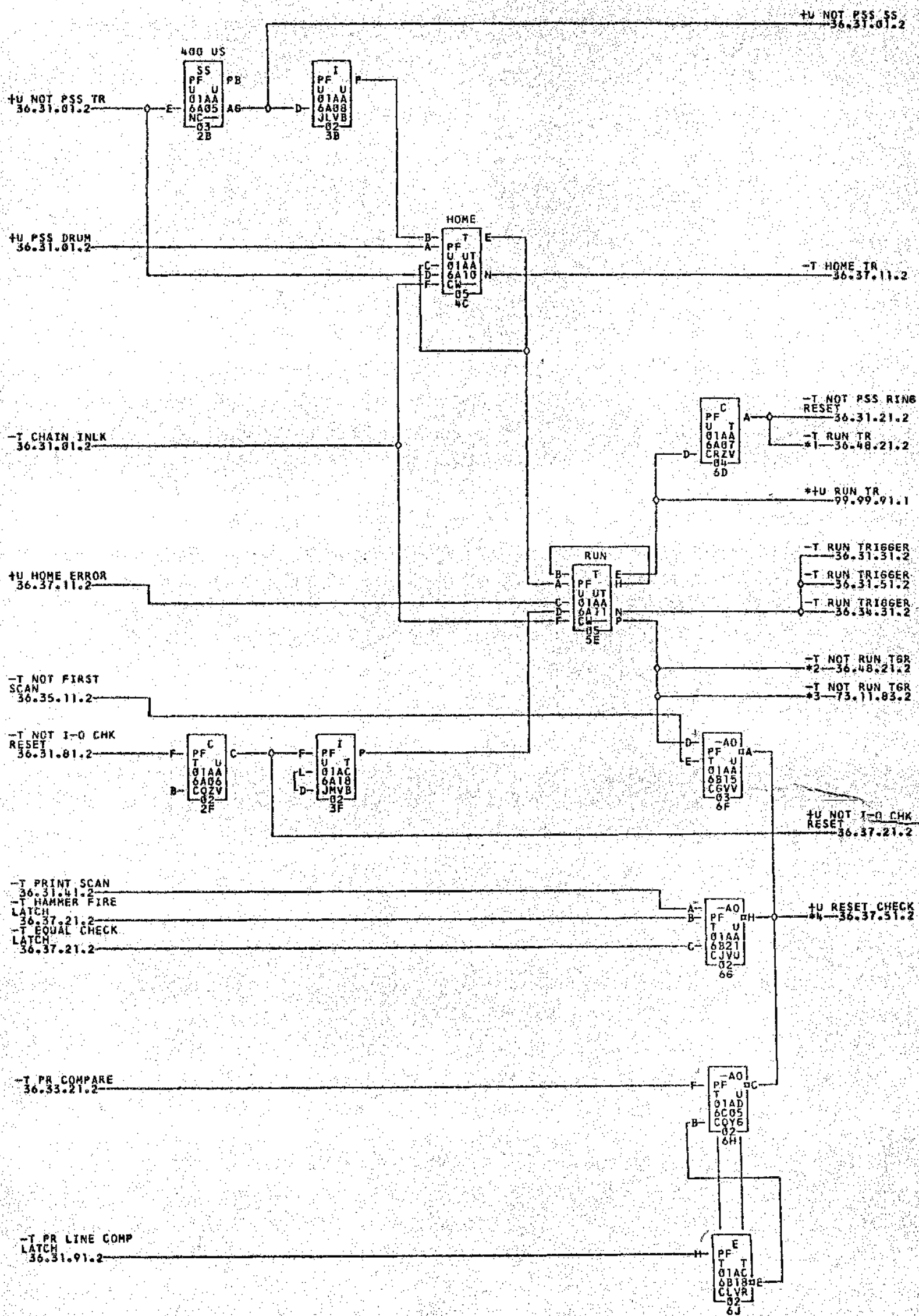
729224
1855



COMMENTS

TAG DATE	E.C. NO.	TAG DATE	E.C. NO.	TAG DATE	E.C. NO.	TAG DATE	E.C. NO.
A 12-15-61	113530	B 06-04-62	114147	C 12-19-62	114175		

728769

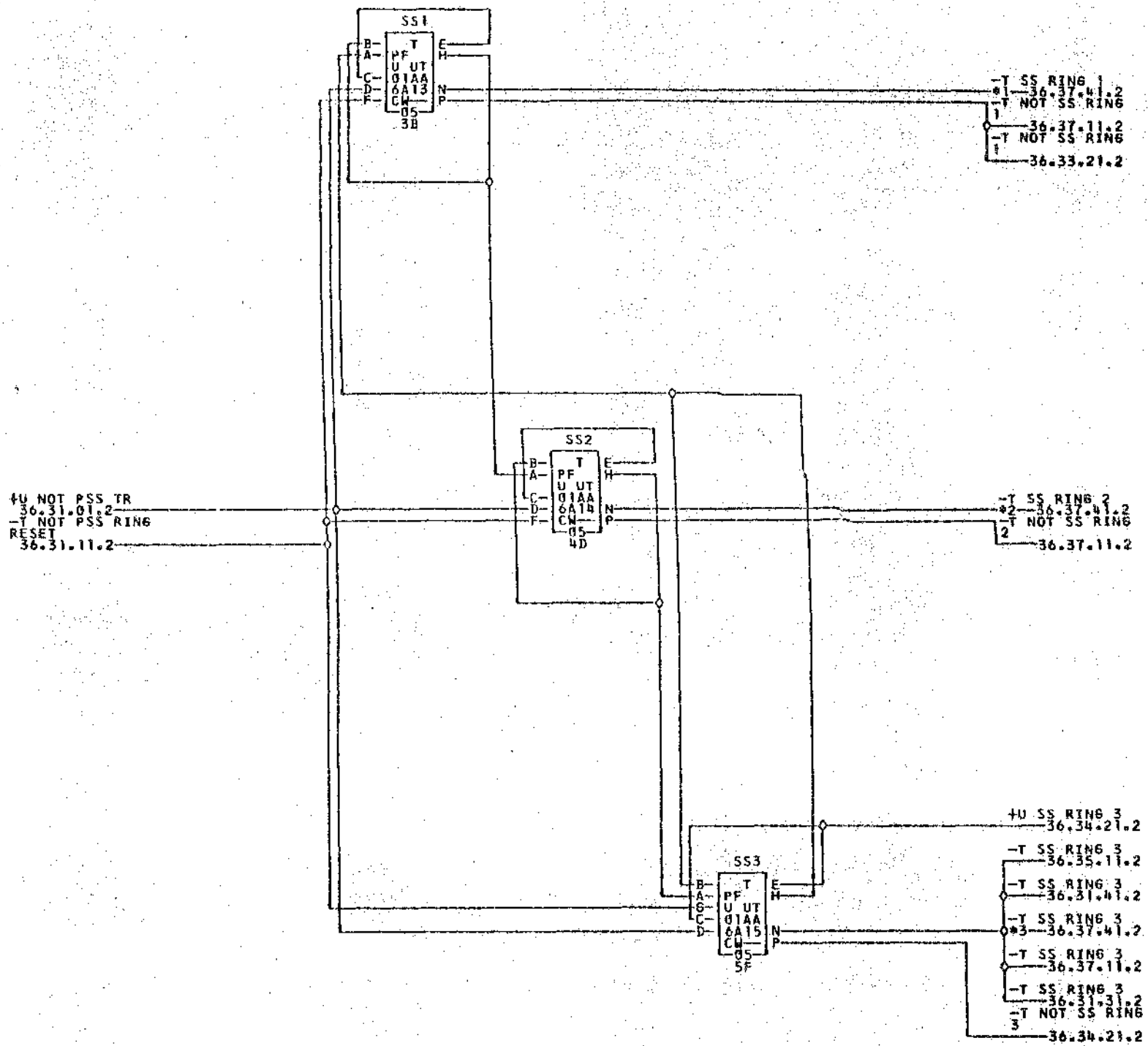


*1-01A6D24N *2-01A6D24L *3-01A6F25E *4-01A6B250

728770

COMMENTS
SIGNALS PRECEDED BY AN ASTERISK
INDICATE DIRECT CABLE EXPANSION.

TAG DATE E.C.NO. TAG DATE E.C.NO. TAG DATE E.C.NO. TAG DATE E.C.NO.
A 12-15-61 113530 B 06-04-62 116147 C 12-19-62 114177B D 09-16-63 118575B



*1—01A6B25A

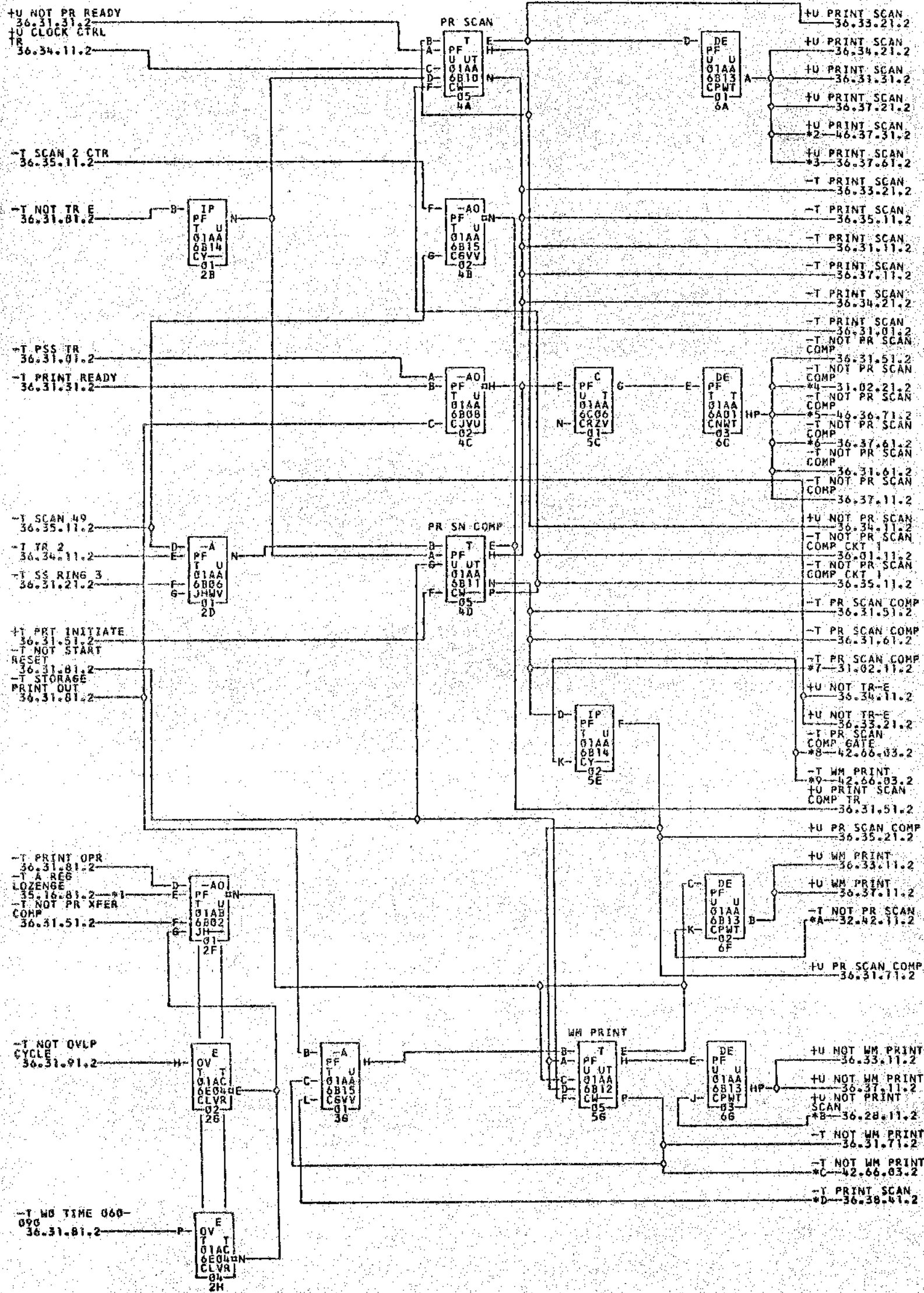
*2—01A6B25B

*3—01A6B25C

COMMENTS

TAG DATE	E.C.NO.	TAG DATE	E.C.NO.	TAG DATE	E.C.NO.	TAG DATE	E.C.NO.
A 12-15-61	115538	B 12-19-62	114177B				

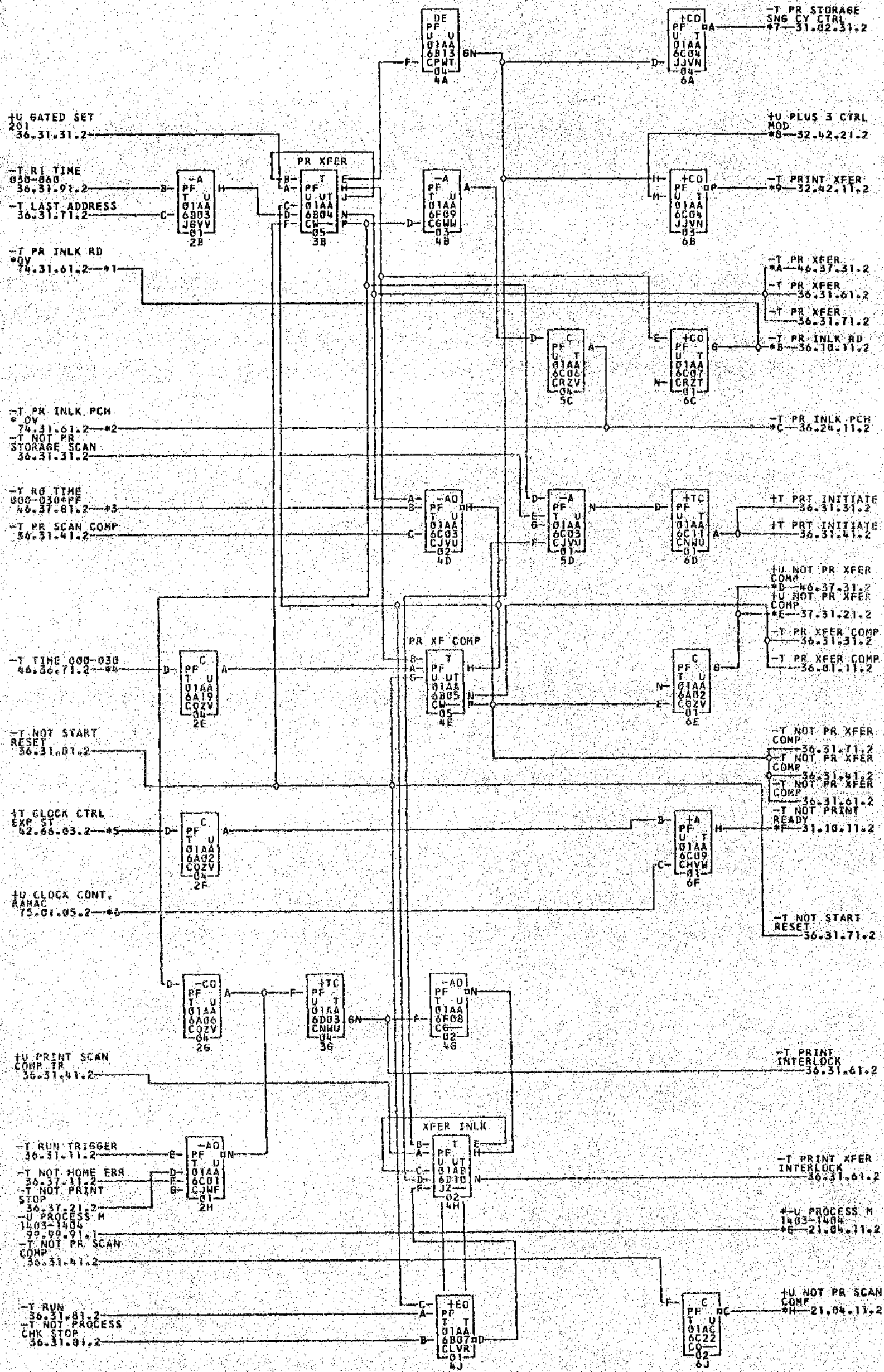
728771



C 26.8.63
TA 173B
D 12.11.63
TA 604A

- *1-01A6B26R
- *2-01A6C24F
- *3-01A6B25E
- *4-01A6E26R
- *5-01A6C24A
- *6-01A6B25K
- *7-01A6E24D
- *8-01A6E24B
- *9-01A6E24C
- *A-01A6C26M
- *B-01A6D25L
- *C-01A6E24D
- *D-01A6B25J
- *E-01A7D25M
- *F-01A7A25M

728773



- *1-01A6F23L
- *2-01A6F23E
- *3-01A6A25A
- *3-01A6D25K
- *4-01A6A25F
- *4-01A6D25R
- *5-01A6E24G
- *5-01A6E24K
- *6-01A6C25P
- *6-01A6C25R
- *7-01A6E26H
- *7-01A6E26K
- *8-01A6C24J
- *8-01A6C24L
- *9-01A6F26D
- *9-01A6F26K
- *A-01A6A25N
- *A-01A6C24J
- *B-01A6F26N
- *B-01A6F26K
- *C-01A5D25N
- *C-01B3B02N
- *D-01A6F26C
- *D-01A6F26K
- *E-02A9A05F
- *E-01A6E26H
- *F-01A6C24J
- *F-01A6C24L
- *G-01A6F26D
- *G-01A6F26K
- *H-01A6F26C
- *H-01A6F26K

728774

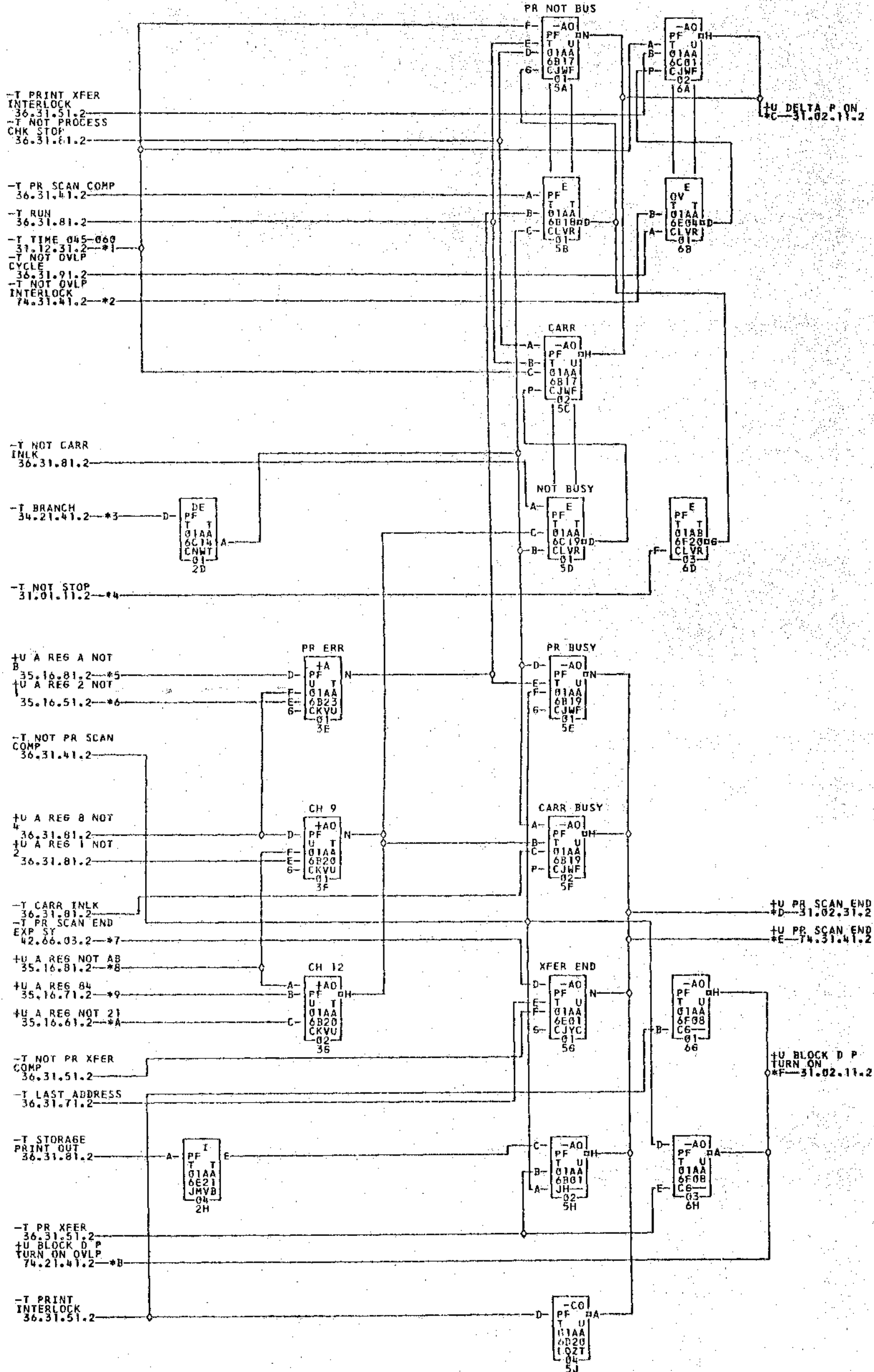
COMMENTS: SIGNALS PRECEDED BY AN ASTERISK INDICATE DIRECT CABLE EXPANSION.

TAG DATE E.C.NO. TAG DATE E.C.NO. TAG DATE E.C.NO. TAG DATE E.C.NO.

A 12-15-61 113530 B 12-19-62 114177B C 09-16-63 118575B

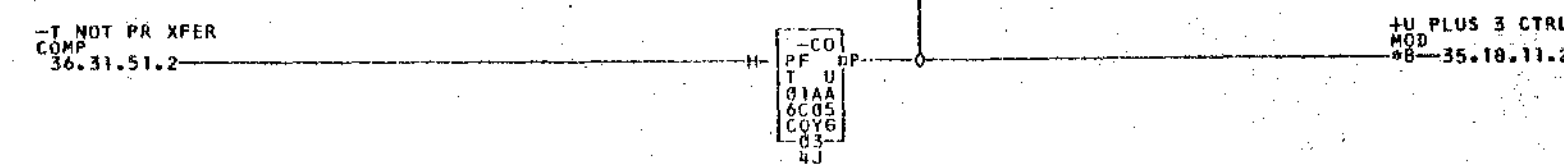
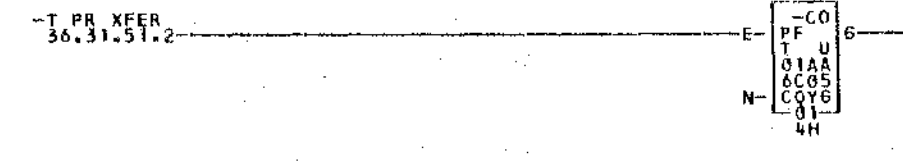
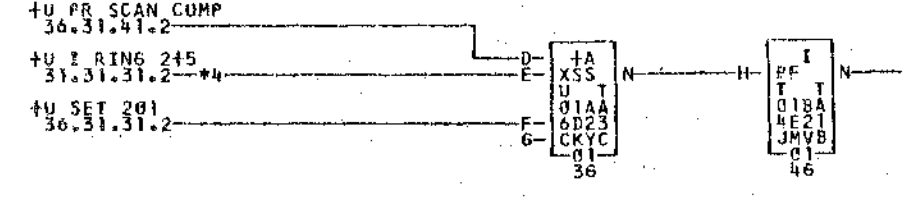
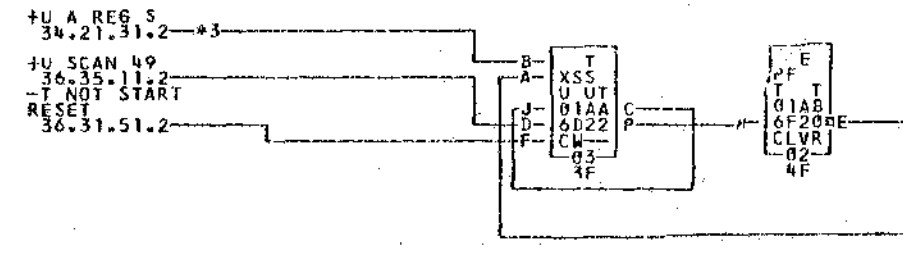
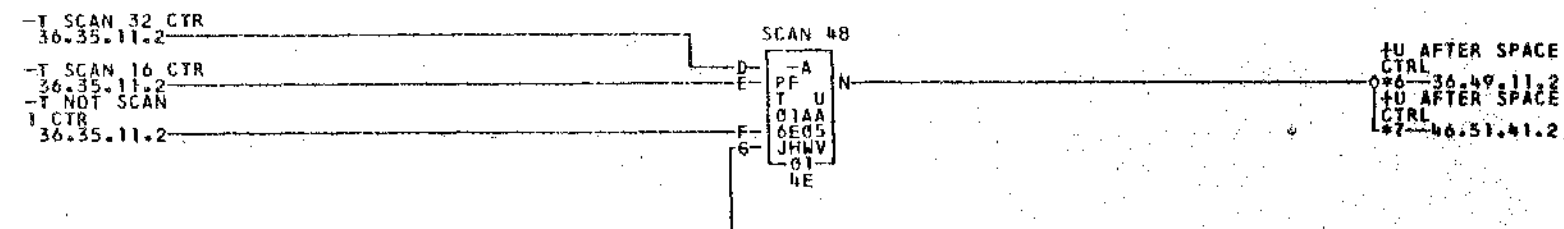
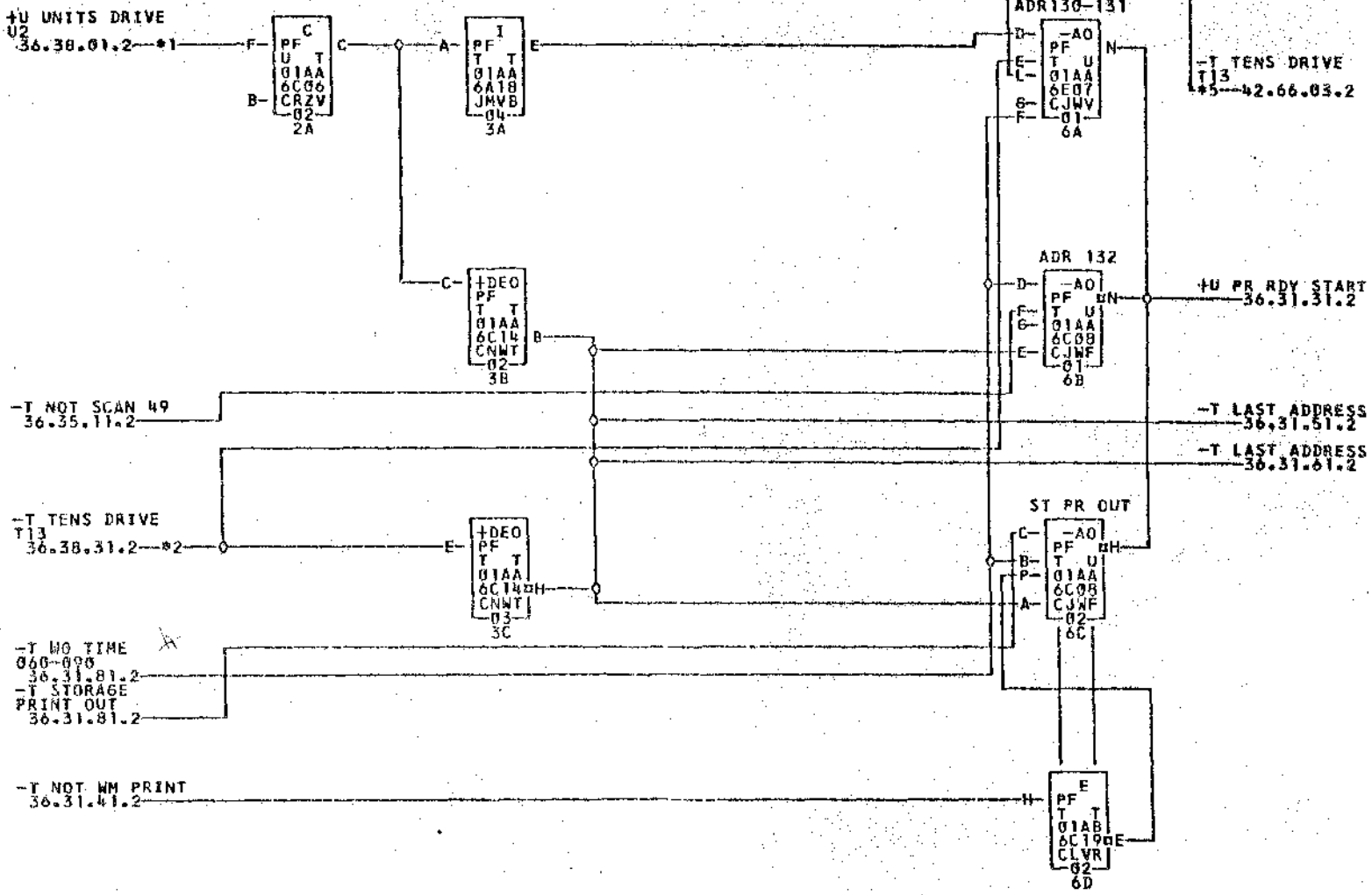
A 5.4.62
TA 1233B

B 25.3.63
TA 1795



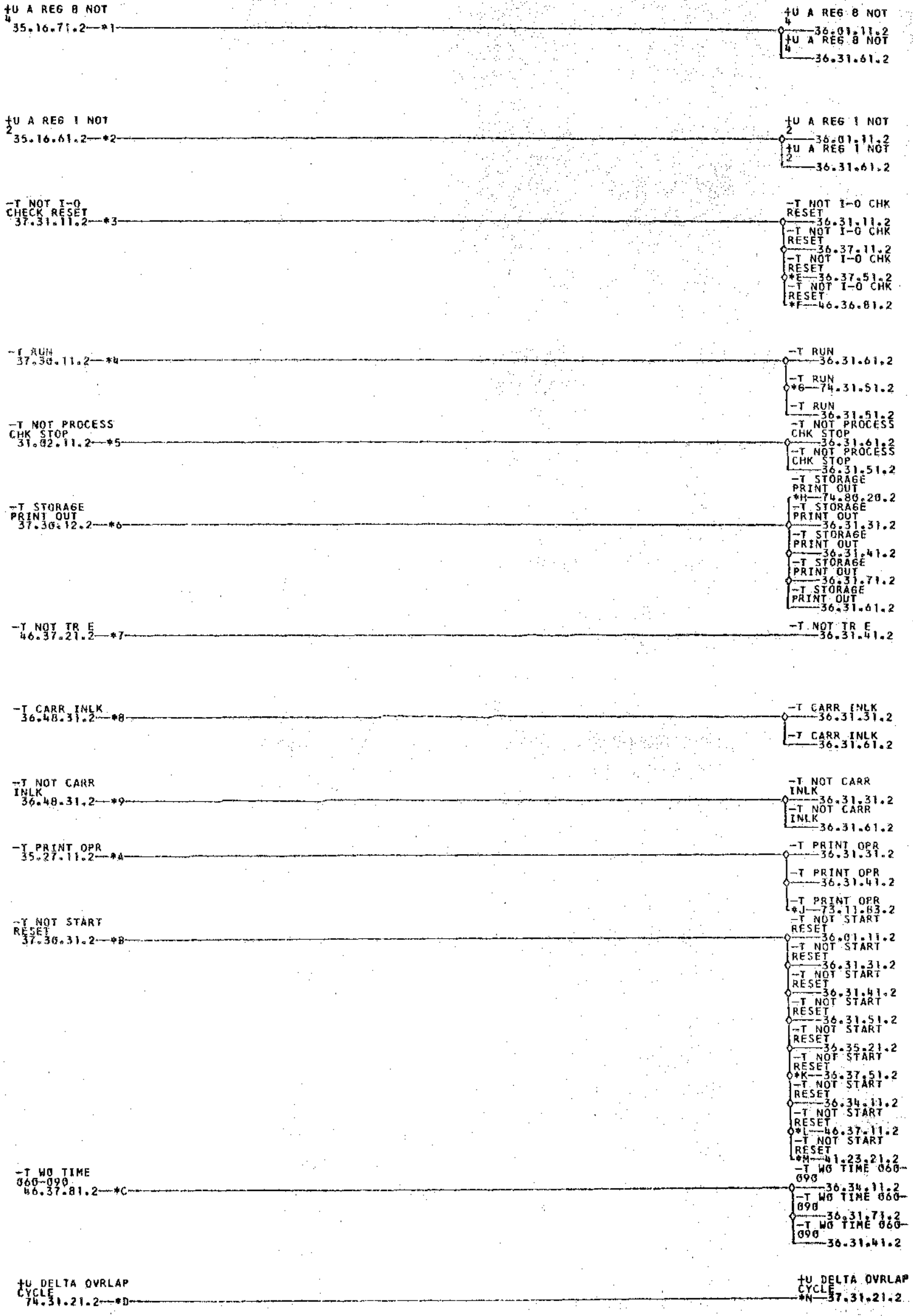
- *1-01A6A25Q
- *2-01A6F23M
- *3-02A9A19F
- *4-02B1E02H
- *5-01A6C25J
- *6-01A6B26L
- *7-01A6E24E
- *8-01A6B26P
- *8-01A6D26N
- *9-01A6E23G
- *A-01A6C25E
- *A-02A9A09F
- *B-01A6F23P
- *C-01A6E26C
- *D-01A6E26F
- *E-01A6E236
- *F-01B2C026
- *F-02B1E02C
- *F-01A6D24J
- *G-01B1E03J
- *H-01B1D016

728775



- *1—01A6B25L
- *2—01A6B25H
- *3—01A6F25N
- *4—01A6F25P
- *5—01A6E24A
- *6—01A6D24A
- *7—01A6D24A
- *8—01A6A24R
- 01A1F01R
- 01B1E03A
- 01B1D03N
- 01A5B25N
- 01A1D02R
- 01A3A25R

728776



- *1-01A6B26M *2-01A6B26K *3-01A6D26A *4-01A6D26D *5-01A6E26D *6-01A6D26F
- *7-01A6A25D *8-01A6D24B *9-01A6D24C *A-01A6D24D *B-01A6D26C *C-01A6A25B
- *D-01A6A24Q *E-01A6B25F *F-01A6C24E *G-01A6F23K *H-02A9A15F *I-02B1E02F
- *J-01A6C24Q *K-01A6B25E *L-01A6C24B *M-01A6D25F *N-01B7A02F
- *N-01A6D26R *O-01A2A07R

728777

A 5.4.62
TA 1233B
B 25.8.63
TA 1795

+U 1 LATCH
46.10.21.2 *1

+U 1 LATCH
36.33.11.2
+U 1 LATCH
36.37.11.2

+U 2 LATCH
46.10.21.2 *2

+U 2 LATCH
36.33.11.2
+U 2 LATCH
36.37.11.2

-T PR STORAGE
SCAN
37.31.11.2 *3

-T PR STORAGE
SCAN
36.31.31.2
-T PR STORAGE
SCAN
36.37.21.2
-T PR STORAGE
SCAN
46.36.81.2

-T I-O CHECK
STOP SW ON
37.30.31.2 *4

-T I-O CHECK
STOP SW ON
*D 73.11.83.2
-T I-O CHECK
STOP SW ON
36.37.21.2
-T I-O CHECK
STOP SW ON
*E 74.31.41.2

-T TR E
46.37.21.2 *5

-T TR E
36.31.01.2
-T TR E
36.34.11.2
-T TR E
36.33.21.2

-T PR ERR CHECK
LATCH
46.10.41.2 *6

-T PR ERR CHECK
LATCH
36.37.11.2
-T PR ERR CHECK
LATCH
36.37.21.2

+U PR START KEY
21.04.11.2 *7
+U START KEY RP
N-O
11.03.11.1 *8

+U START KEY RP
N-O
*F 31.01.11.2
+U PR START KEY
*F 31.01.11.2
+U PR START KEY
36.35.21.2

-T RI TIME
030-060
46.37.81.2 *9

-T RI TIME
030-060
*6 36.37.41.2
-T RI TIME
030-060
36.31.51.2

-T PR LINE COMP
LATCH
46.10.41.2 *A

-T PR LINE COMP
LATCH
36.31.11.2
-T PR LINE COMP
LATCH
36.37.11.2

-T NOT OVLP
CYCLE
74.31.21.2 *B

-T NOT OVLP
CYCLE
36.31.01.2
-T NOT OVLP
CYCLE
36.31.41.2

- *1-01A6B24A *2-01A6B24B *3-01A6D26M *4-01A6D26K *5-01A6A25E *6-01A6B24H
- *7-01A6A266 *8-01A6F26B *9-01A6A25H *A-01A6B24N *B-01A6F23N 02A9A016
- 02B1E02J *C-01A6C246 *D-01A6F25J *E-01A6F23J 02A9A13F 02B1E02E
- *F-01A6E26M 01B6C03J *6-01A6B25R

COMMENTS

TAG DATE	E.C.NO.	TAG DATE	E.C.NO.	TAG DATE	E.C.NO.	TAG DATE	E.C.NO.
A 12-15-61	113530	B 12-19-62	114177B				

728778

+U WM PRINT
36.31.41.2

+U WM LATCH
46.10.31.2

+U 1 LATCH
36.31.91.2

+U 2 LATCH
36.31.91.2

+U NOT 2 LATCH
46.10.21.2

*PF
46.10.21.2

+U NOT 1 LATCH
46.10.21.2

*PF
46.10.21.2

+U NOT 4 LATCH
46.10.21.2

*PF
46.10.21.2

+U NOT 8 LATCH
46.10.21.2

*PF
46.10.21.2

+U 4 LATCH*PF
46.10.21.2

+U NOT WM PRINT
36.31.41.2

+U 8 LATCH*PF
46.10.21.2

*PF
46.10.21.2

+U A LATCH*PF
46.10.31.2

*PF
46.10.31.2

+U B LATCH*PF
46.10.31.2

*PF
46.10.31.2

*1--01A6B24G
*7--01A6B24D

*2--01A6B24J
*8--01A6B24E

*3--01A6B24H
*9--01A6B24F

*4--01A6B24K

*5--01A6B24L

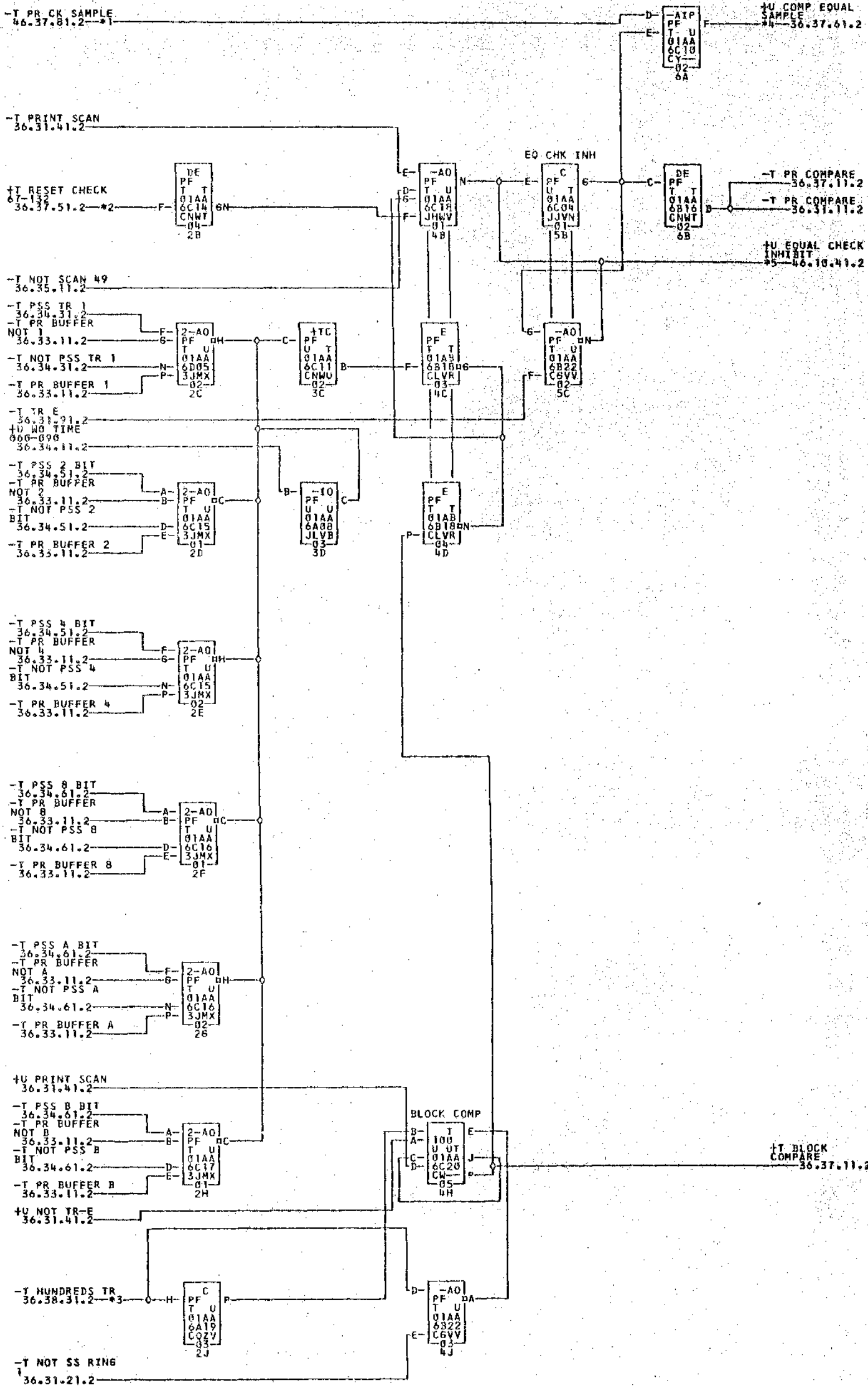
*6--01A6B24C

COMMENTS

TAG DATE E.C.NO. TAG DATE E.C.NO. TAG DATE E.C.NO. TAG DATE E.C.NO.
A 12-15-61 113538 B 12-19-62 114177B

A 5.4.62
TA 1233B
B 25.3.63
TA 1795

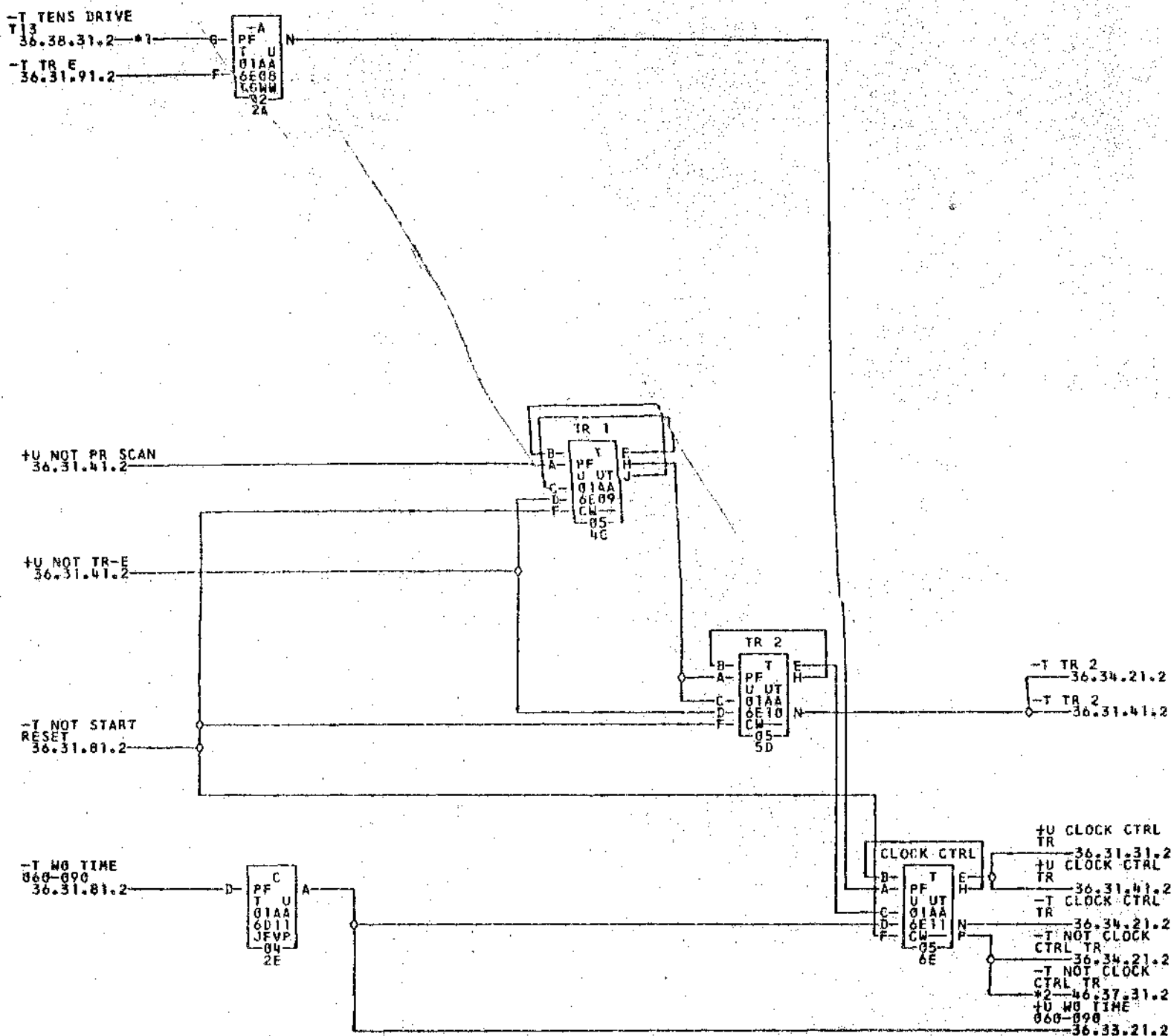
728779



- *1—01A6A25C
- *2—01A6B25P
- *3—01A6B25N
- *4—01A6B25H
- *5—01A6B24R

728780

A 5.4.62
TA 1233D
B 25.3.63
TA 1795

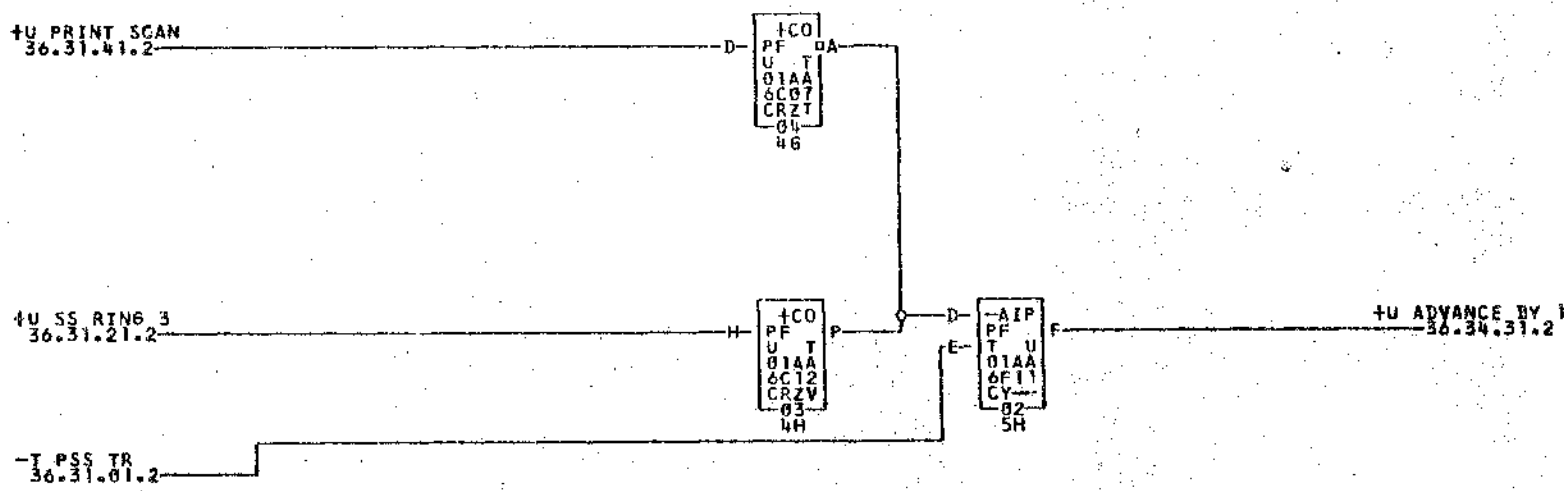
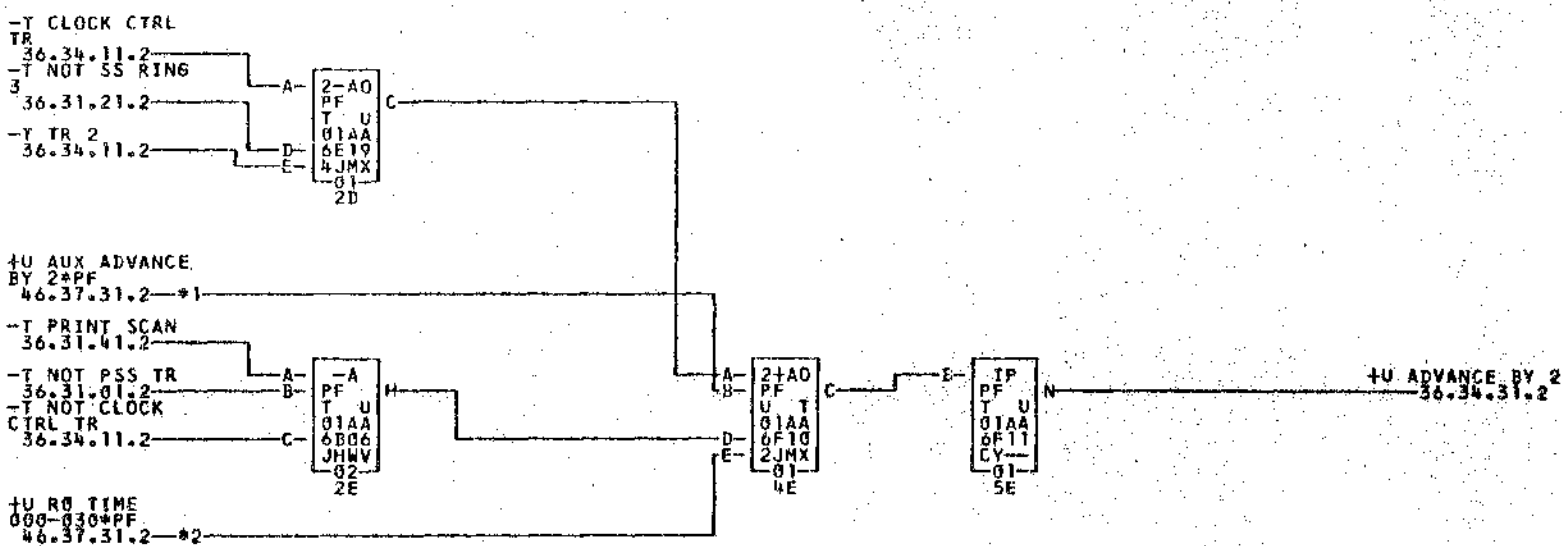


*1—01A6B25M *2—01A6C24K

COMMENTS

TAG DATE	E.C.NO.	TAG DATE	E.C.NO.	TAG DATE	E.C.NO.	TAG DATE	E.C.NO.
A 12-15-61	113530	B 12-19-62	114177B				

120099

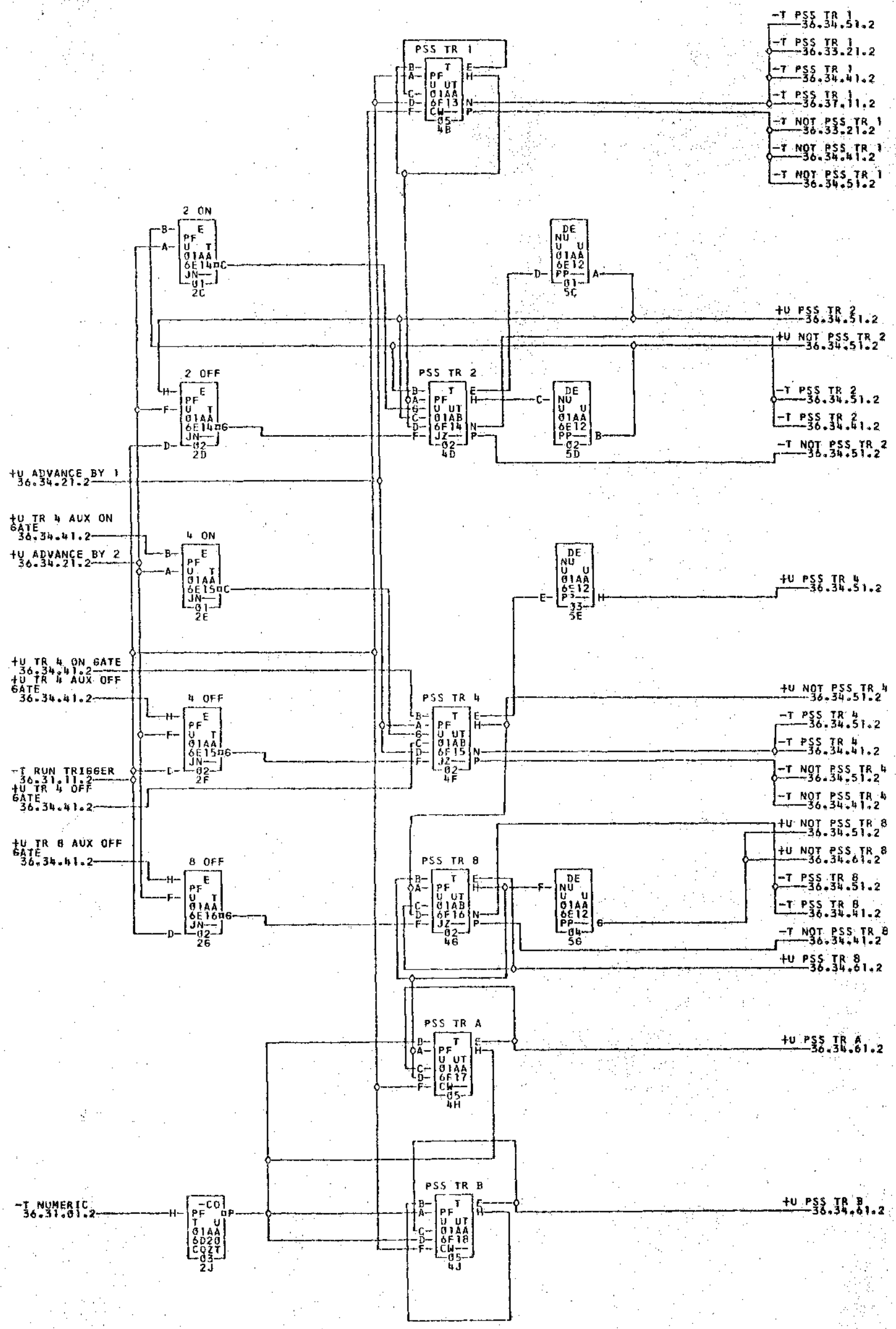


*1-01A6A25L *2-01A6A25M

COMMENTS

TAG DATE	E.C.NO.	TAG DATE	E.C.NO.	TAG DATE	E.C.NO.	TAG DATE	E.C.NO.
A 12-15-61	115536	B 12-19-62	114177B				

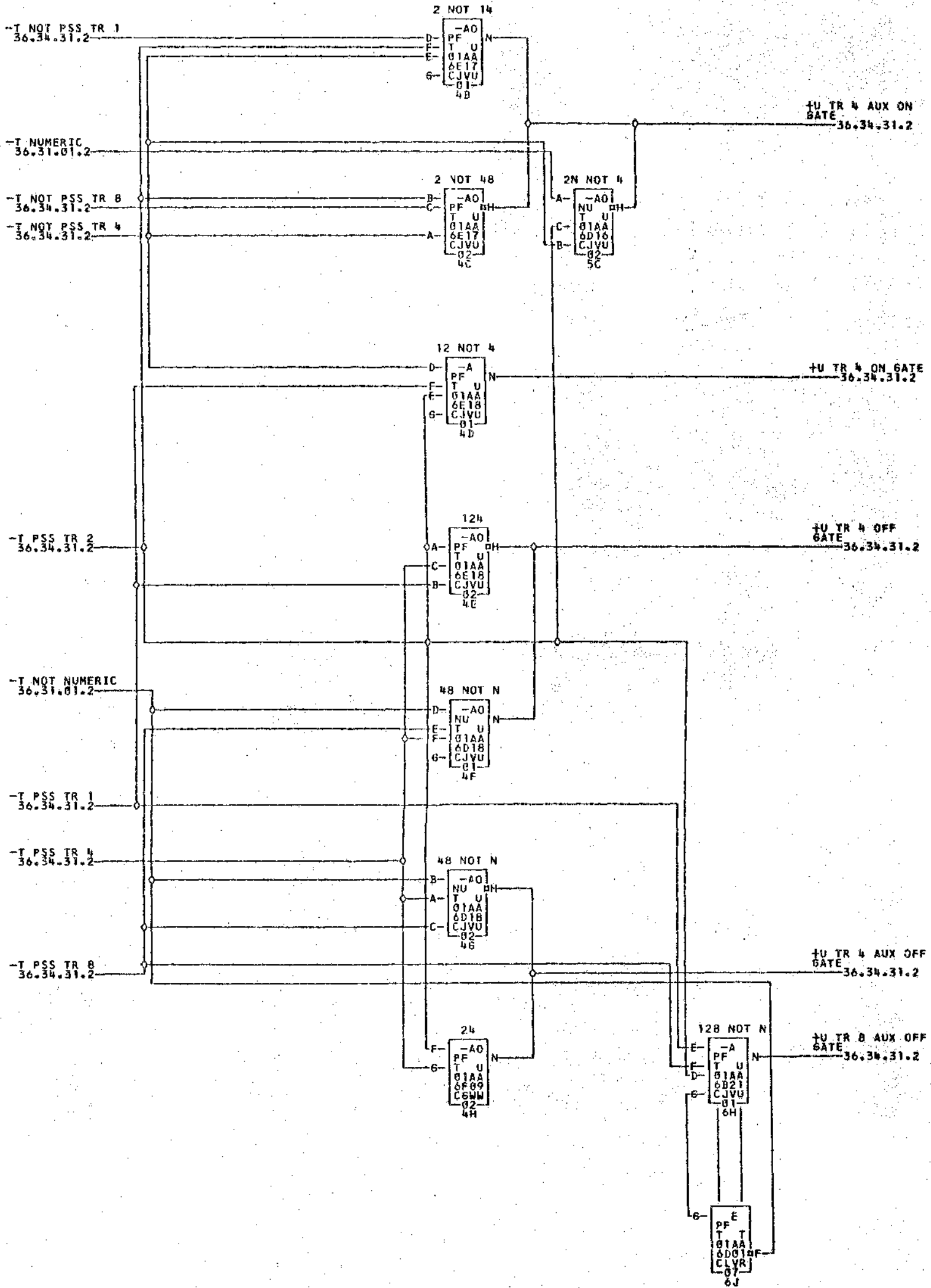
726102



COMMENTS

TAG DATE	E.C.NO.	TAG DATE	E.C.NO.	TAG DATE	E.C.NO.	TAG DATE	E.C.NO.
A 12-15-61	113530	B 12-19-62	114177B				

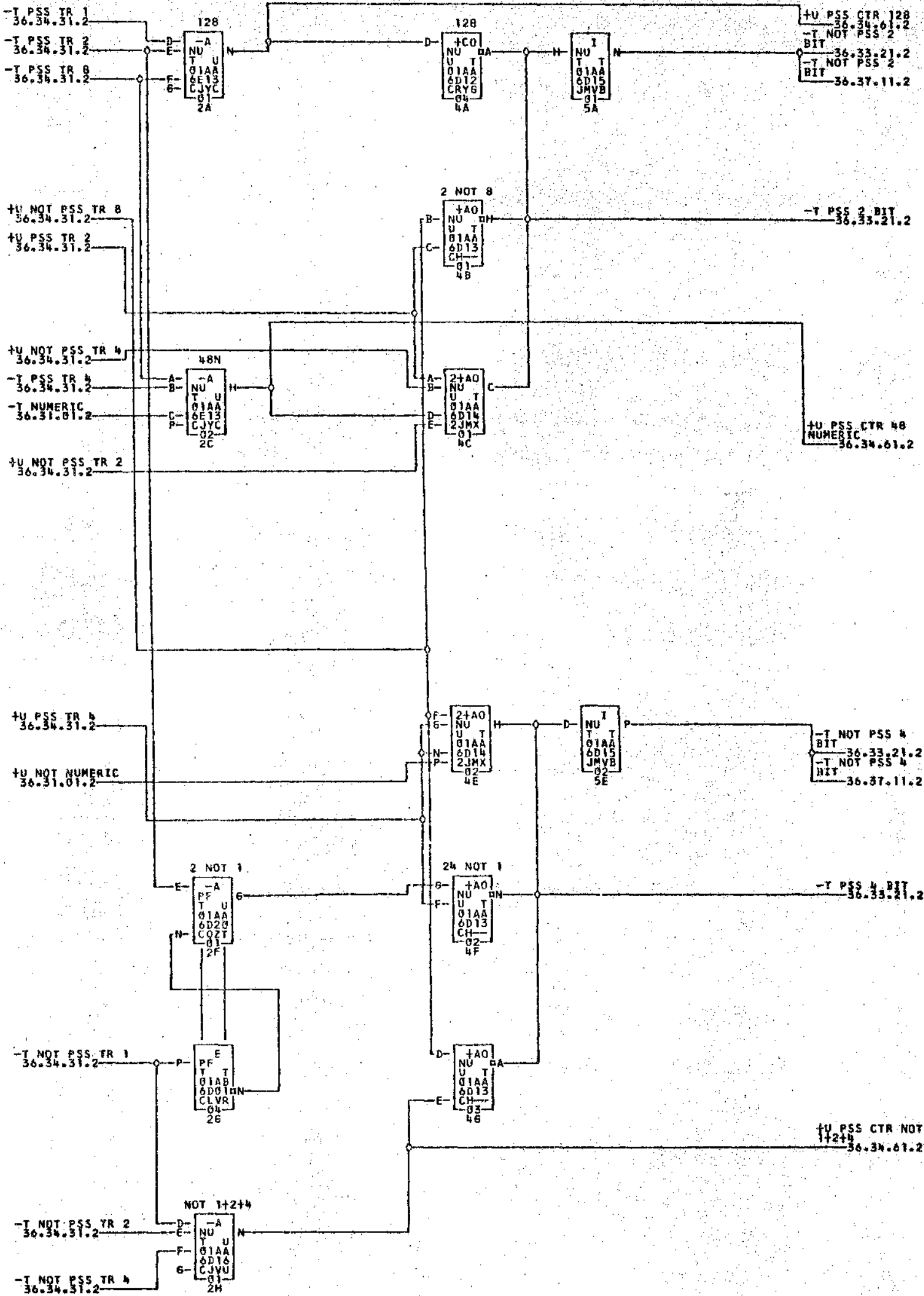
720703



COMMENTS

TAG	DATE	E.C.NO.	TAG	DATE	E.C.NO.	TAG	DATE	E.C.NO.	TAG	DATE	E.C.NO.
A	12-15-61	113530	B	12-19-62	114177B						

728784



A 5.4.62
 TA 1233B
 B 25.3.63
 TA 1795

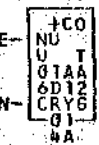
COMMENTS

TAG DATE E.C.NO. TAG DATE E.C.NO. TAG DATE E.C.NO. TAG DATE E.C.NO.
 A 12-15-61 113538 B 12-19-62 114177B

728105

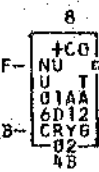
+U PSS CTR NOT
1+2+4
36.34.51.2

NOT 1+2+4



-T NOT PSS B
BIT
36.33.21.2
-T NOT PSS B
BIT
36.37.11.2

+U PSS TR B
36.34.31.2

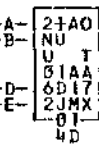


-T PSS B BIT
36.33.21.2

+U NOT PSS TR B
36.34.31.2

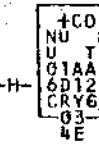
+U PSS CTR 12B
36.34.51.2

+U NUMERIC
36.31.01.2



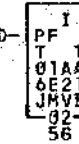
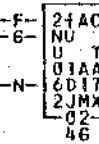
-T NOT PSS A
BIT
36.33.21.2
-T NOT PSS A
BIT
36.37.11.2

+U PSS TR A
36.34.31.2



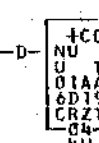
-T PSS A BIT
36.33.21.2

+U PSS CTR 4B
NUMERIC
36.34.51.2



-T NOT PSS B
BIT
36.33.21.2
-T NOT PSS B
BIT
36.37.11.2

+U PSS TR B
36.34.31.2



-T PSS B BIT
36.33.21.2

A 5.4.62
TA 1233B
B 25.3.63
TA 1795

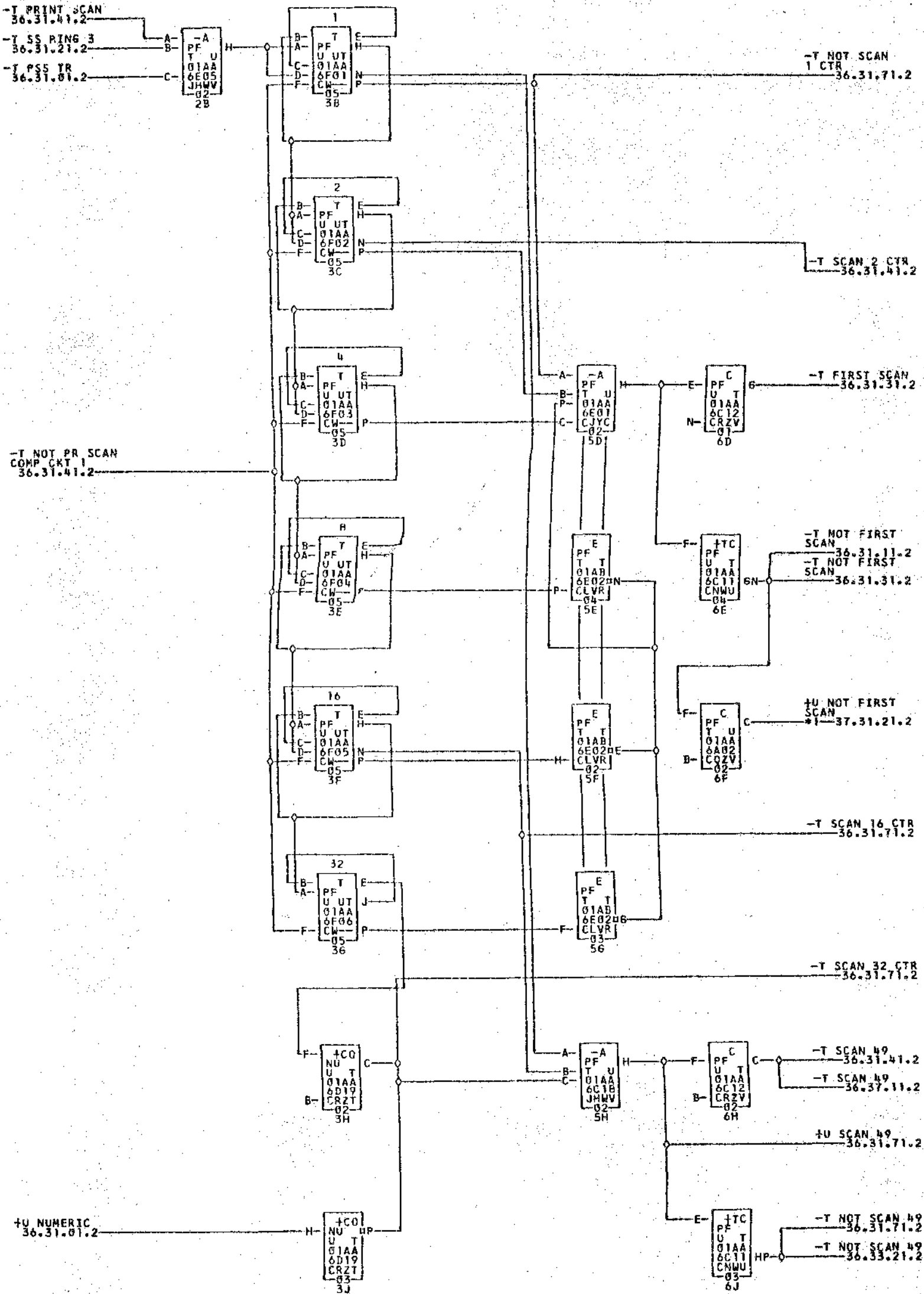
120.00

COMMENTS

TAG DATE E.C.NO. TAG DATE E.C.NO. TAG DATE E.C.NO. TAG DATE E.C.NO.

A 12-15-61 113530

B 12-19-62 114178

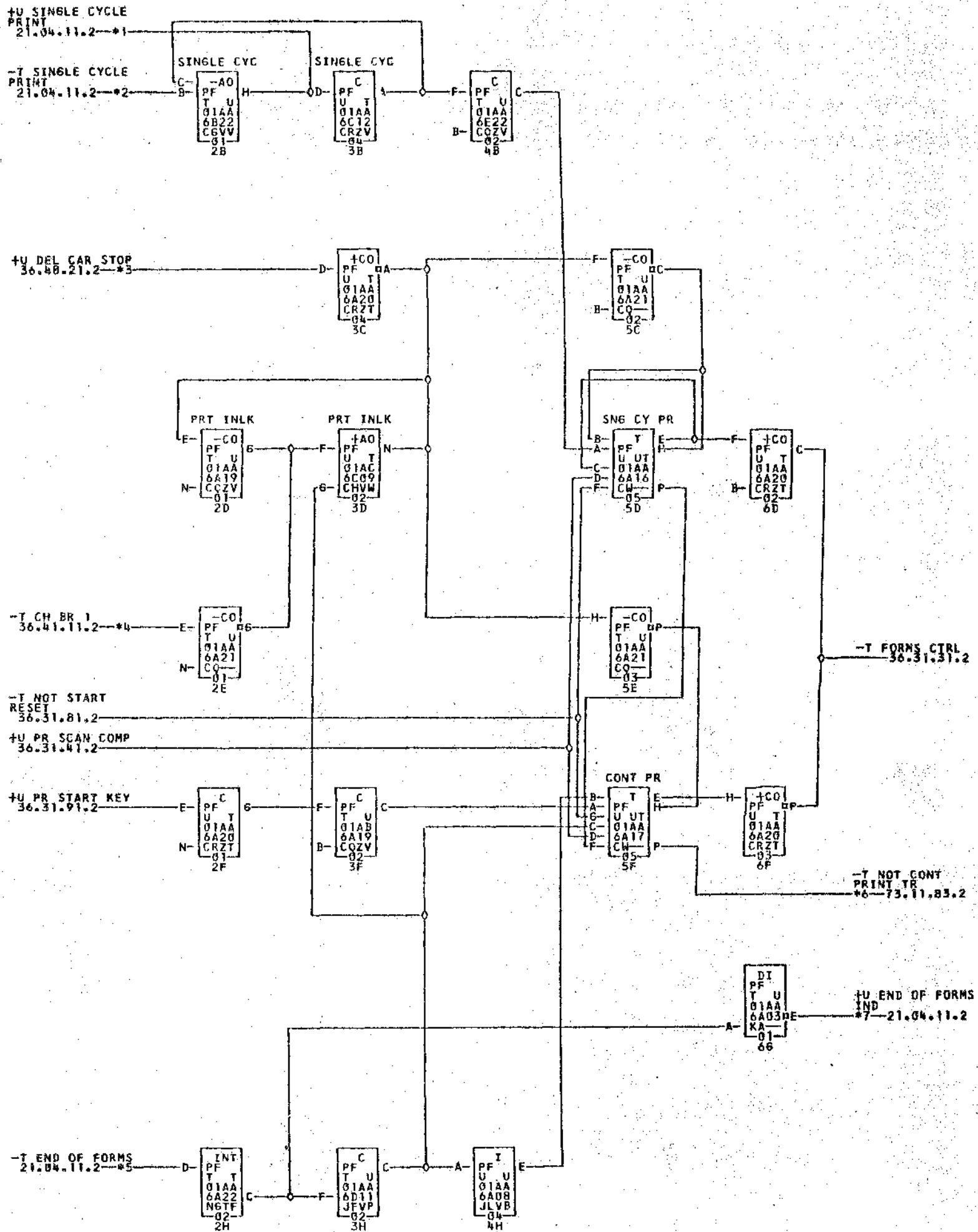


*1-01A6D26P

COMMENTS

TAG DATE	E.C.NO.	TAG DATE	E.C.NO.	TAG DATE	E.C.NO.	TAG DATE	E.C.NO.
A 12-15-61	113530	B 12-19-62	114177B				

728787



*1-01A6A26P
*7-01A6A26Q

*2-01A6A26R

*3-01A6D24G

*4-01A6D24E

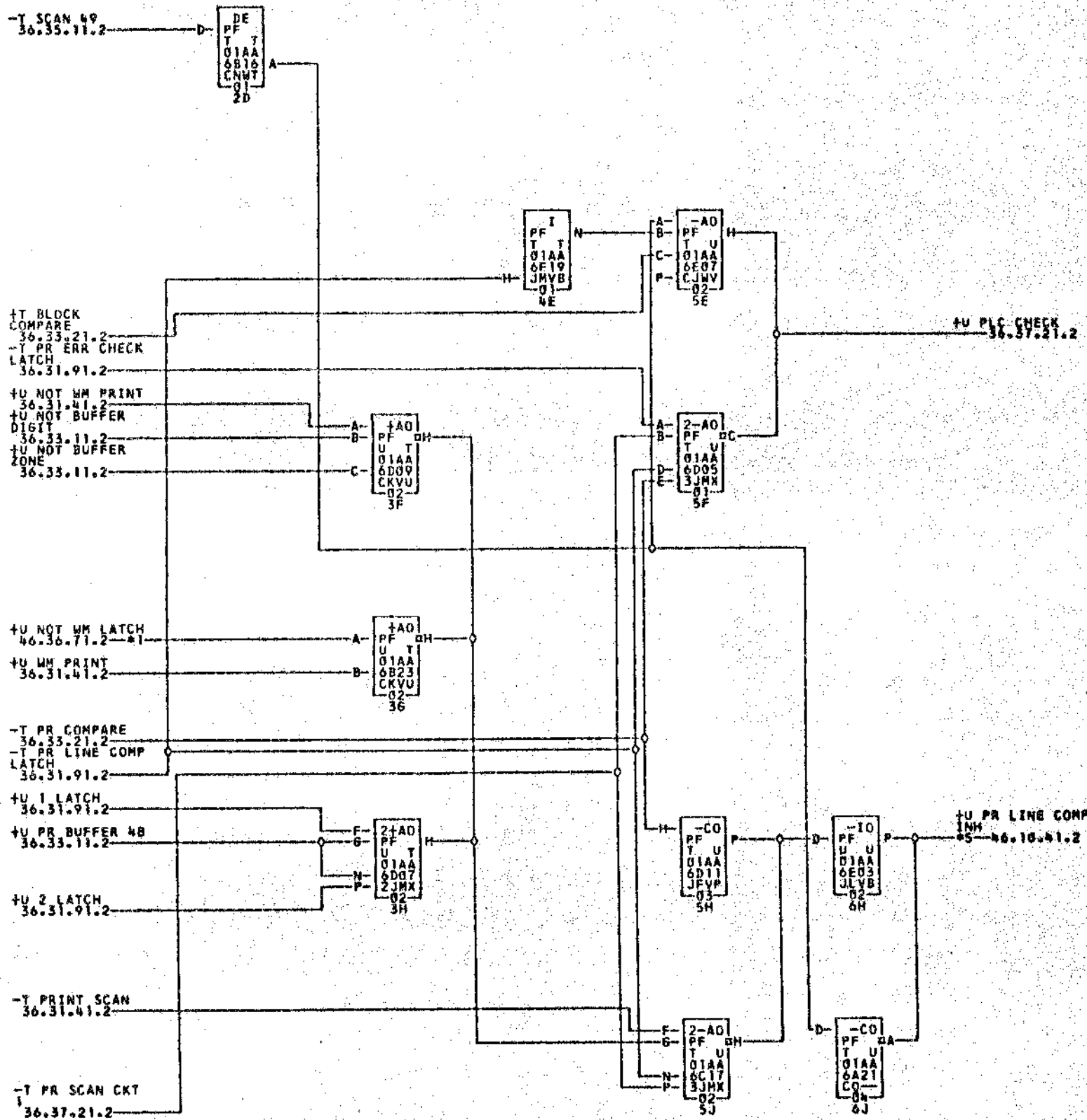
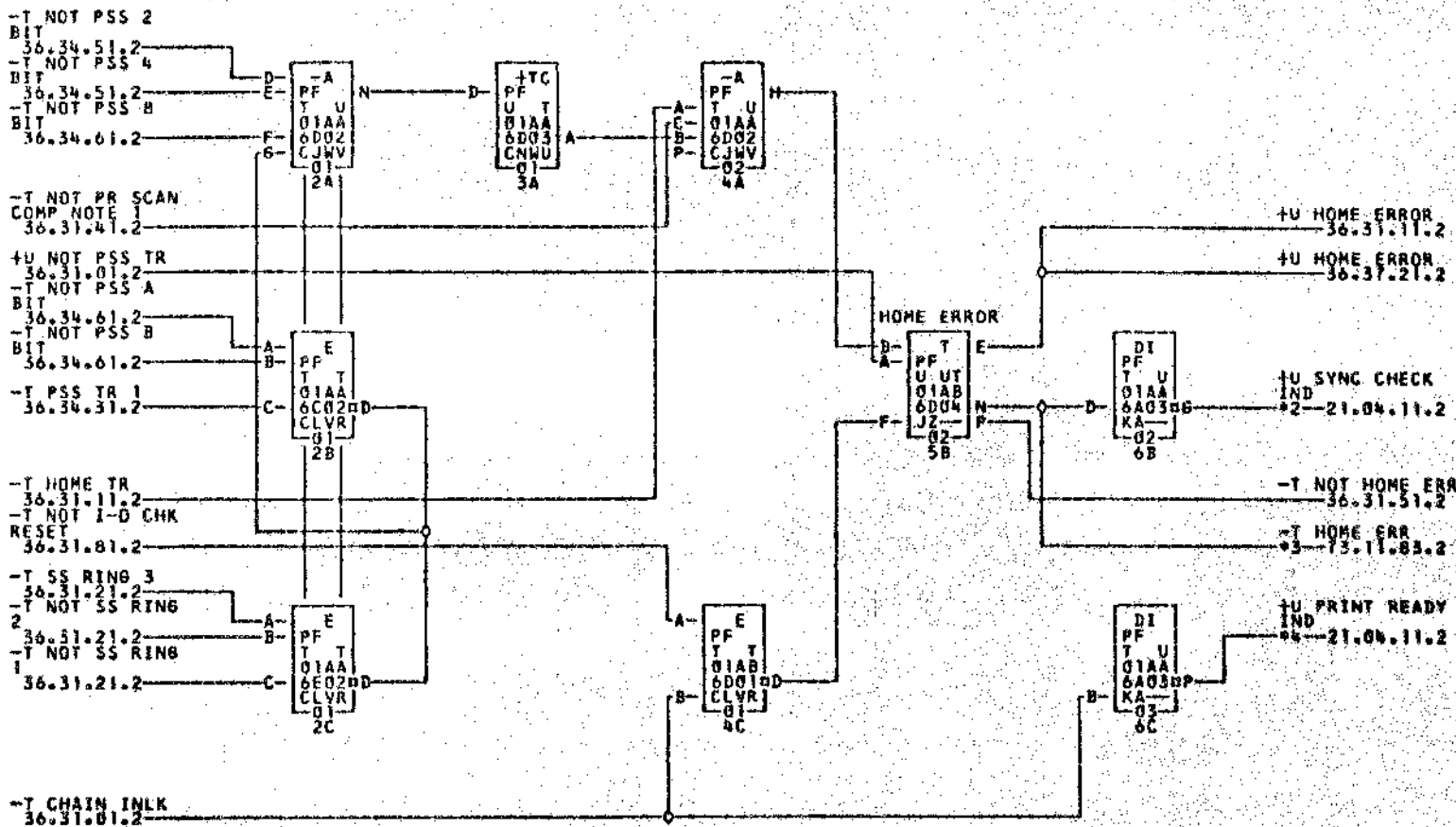
*5-01A6A26M

*6-01A6F25H

COMMENTS

TAG DATE	E.C.NO.	TAG DATE	E.C.NO.	TAG DATE	E.C.NO.	TAG DATE	E.C.NO.
A 12-15-61	113530	B 06-04-62	114147	C 12-19-62	114177B		

728/08



- *1—01A6C24P 01A5E25J
- *2—01A6A26C 01A4E25J
- *3—01A6F256
- *4—01A6A26L
- *5—01A6A25K
- 01A5D26K

NOTE 1 TO ALLOW COMMENTS
WHEN NOT PRINTING CHANGE JUMPER
FROM AD3K TO AD1K.

TAG DATE	E.C.NO.	TAG DATE	E.C.NO.	TAG DATE	E.C.NO.	TAG DATE	E.C.NO.
A 12-15-61	11353B	B 12-19-62	114177B	C 06-07-63	114197		

728789

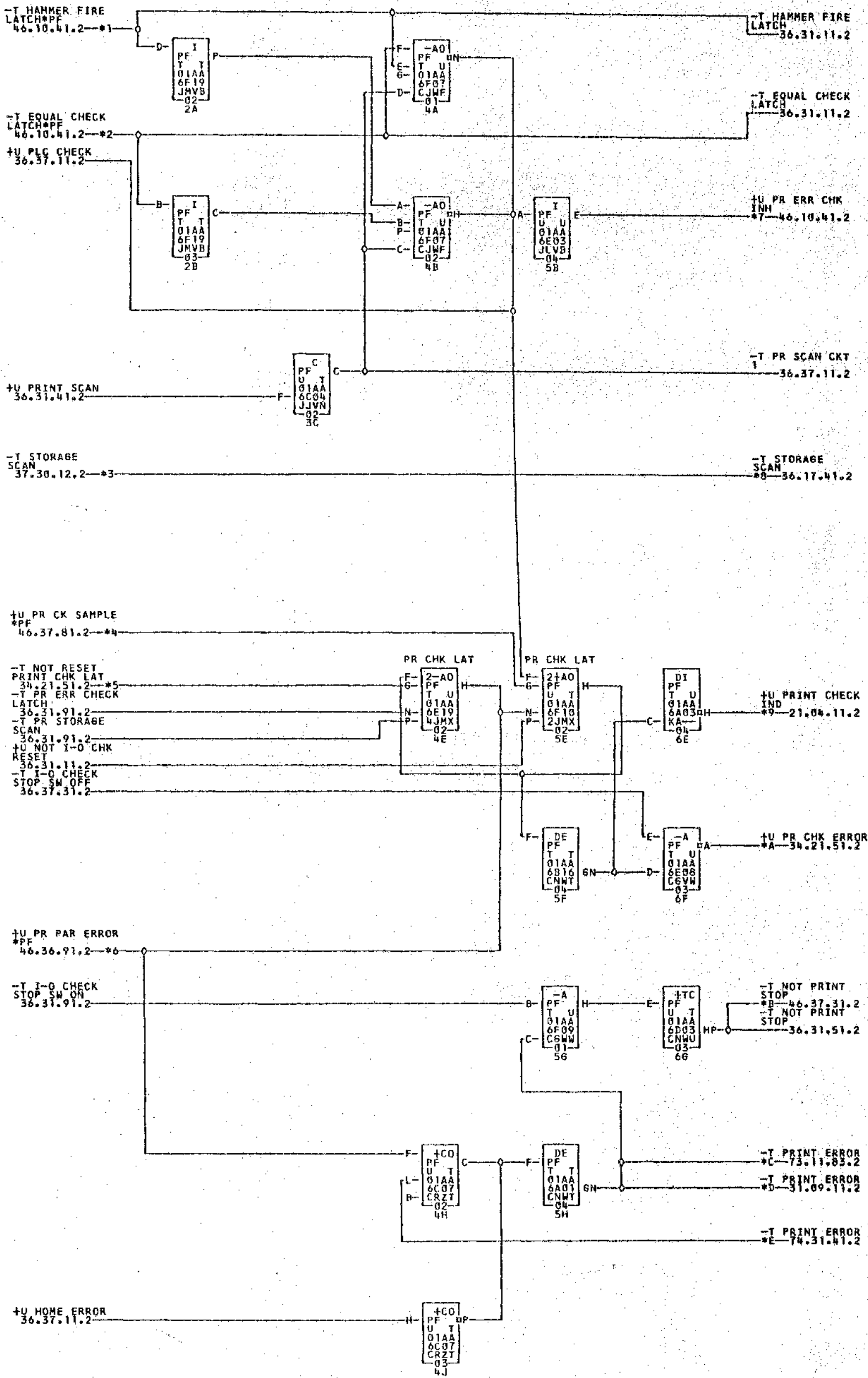
0728790

PRINT ERROR NUMERIC

1401 PF

36.37.21.2

TAG DATE



B 30.8.62
TA 1441
C 25.3.63
TA 1795

- *1-01A6B24Q
- *2-01A6B24P
- *3-01A6D266
- *4-01A6A25J
- *5-01A6F25D
- *6-01A6C24H
- *7-01A6A256
- *8-01A5D266
- *9-01A6F250
- *A-01A6F25C
- *B-01A6C24R
- *C-01A6F25K
- *D-01A6E25P
- *E-01A6F25H
- *F-02A9A11F
- *G-02D1E02D

COMMENTS

TAG DATE E.C.NO. TAG DATE E.C.NO. TAG DATE E.C.NO. TAG DATE E.C.NO.
 A 12-15-61 113538 B 06-04-62 114147 C 12-19-62 114178

728790

0728791

FEED THROUGH SHEET NUMERIC

1401 PF

36.37.21.2

TAG DATE

+T CHK RESET PR 21.04.11.2--*1	-T CHK RESET PR *1--37.31.11.2	-T CHK RESET PR *0--36.48.21.2
+U INHIBIT XU11 36.17.41.2--*2	+U INHIBIT XU11 *V--42.58.11.2	
+U INHIBIT YU12 36.17.41.2--*3	+U INHIBIT YU12 *W--42.58.11.2	
+U INHIBIT YL13 36.17.41.2--*4	+U INHIBIT YL13 *X--42.58.11.2	
+U INHIBIT XL14 36.17.41.2--*5	+U INHIBIT XL14 *Y--42.58.11.2	
-T START RELAY 37.10.11.2--*6	-T START RELAY *Z--21.04.11.2	
-T START RELAY CTRL 37.10.11.2--*7	-T START RELAY CTRL *1--21.04.11.2	
+U NOT PR START KEY 21.04.11.2--*8	+U NOT PR START KEY *2--31.01.11.2	
+U PCH ADDRESS SET UP CTRL 36.22.11.2--*9	+U PCH ADDRESS SET UP CTRL *3--32.31.11.2	
+U RD ADDRESS SET UP CTRL 36.11.11.2--*A	+U RD ADDRESS SET UP CTRL *4--32.31.21.2	
+U STORAGE RO GATE 32.33.31.2--*B	+U STORAGE RO GATE *5--46.37.81.2	
+U PFR GEN 001 56.12.11.2--*C	+U PFR GEN 001 *6--32.31.11.2	
+U PFR OVL 001 36.16.11.2--*D		
+U B REG 1 35.11.21.2--*E	+U B REG 1 *7--36.13.31.2	
+U B REG 2 35.11.61.2--*F	+U B REG 2 *8--36.13.31.2	
+U B REG 4 35.12.21.2--*G	+U B REG 4 *9--36.13.31.2	
+U B REG 8 35.12.61.2--*H	+U B REG 8 *A--36.13.31.2	
-T LAST ADDRESS 56.80.11.2--*J	-T LAST ADDRESS *B--36.16.11.2	
+U B REG B 35.13.51.2--*K	+U B REG B *C--56.13.11.2	
-T PR STOP KEY 21.04.11.2--*L	-T PR STOP KEY *D--31.01.11.2	
-T STOP KEY RP 36.16.11.2--*M		
-T 51 COLUMN 36.16.11.2--*N	-T 51 COLUMN *E--56.80.11.2	
+U TRANS SCAN 56.12.11.2--*P	+U TRANS SCAN *F--36.13.11.2	
-T I-O CHECK STOP SW OFF 37.38.31.2--*Q	-T I-O CHECK STOP SW OFF *G--36.17.41.2	-T I-O CHECK STOP SW OFF *0--36.37.21.2
-T ALLOW B REG CHECK 35.30.21.2--*R	-T ALLOW B REG CHECK *H--77.40.31.2	
+U ADDR STOP COMP SYNC 32.45.31.2--*S	+U ADDR STOP COMP SYNC *J--75.01.03.2	

A 5.4.62
TA 1233B
B 25.8.63
TA 1795

*1--01A6A26N	*2--01A6D25G	*3--01A6D25H	*4--01A6D25J	*5--01A6D25K	*6--01A6D26H
*7--01A6D26J	*8--01A6A26A	*9--01A6F26E	*A--01A6E26F	*B--01A6C26K	*C--01A6D25M
*D--01A6F26F	*E--01A6B26A	*F--01A6B26B	*G--01A6B26C	*H--01A6B26D	*J--01A6C26Q
*K--01A6B26G	*L--01A6A26M	*M--01A6F26H	*N--01A6F26I	*P--01A6D25D	*Q--01A6D26L
*R--01A6F26H	*S--01A6A24N	*T--01A6D26E	*U--01A6D24F	*V--01A6A24A	*W--01A6A24B
*X--01A6A24C	*Y--01A6A24D	*Z--01A6A26E	*1--01A6A26F	*2--01A6E26K	*3--01A6C24A
*4--01A6A24E	*5--01A6C24L	*6--01A6C26L	*7--01A6F26J	*8--01A6F26K	*9--01A6F26M
*A--01A6F26M	*B--01A6F26N	*C--01A6F26P	*D--01A6E26L	*E--01A6C26R	*F--01A6F26A
*H--01A6A26M	*I--01A6A26N	*J--01A6A26P	*K--01A6A26Q	*L--01A6A26R	*M--01A6F26A
*N--01A6A26Q	*O--01A6A26R	*P--01A6A26S	*Q--01A6A26T	*R--01A6A26U	*S--01A6A26V
*T--01A6A26V	*U--01A6A26W	*V--01A6A26X	*W--01A6A26Y	*X--01A6A26Z	*Y--01A6A26AA
*Z--01A6A26AB	*1--01A6A26AC	*2--01A6A26AD	*3--01A6A26AE	*4--01A6A26AF	*5--01A6A26AG
*6--01A6A26AH	*7--01A6A26AI	*8--01A6A26AJ	*9--01A6A26AK	*A--01A6A26AL	*B--01A6A26AM
*C--01A6A26AN	*D--01A6A26AO	*E--01A6A26AP	*F--01A6A26AQ	*G--01A6A26AR	*H--01A6A26AS
*I--01A6A26AT	*J--01A6A26AU	*K--01A6A26AV	*L--01A6A26AW	*M--01A6A26AX	*N--01A6A26AY
*O--01A6A26AZ	*P--01A6A26BA	*Q--01A6A26BB	*R--01A6A26BC	*S--01A6A26BD	*T--01A6A26BE
*U--01A6A26BF	*V--01A6A26BG	*W--01A6A26BH	*X--01A6A26BI	*Y--01A6A26BJ	*Z--01A6A26BK
*1--01A6A26BL	*2--01A6A26BM	*3--01A6A26BN	*4--01A6A26BO	*5--01A6A26BP	*6--01A6A26BQ
*7--01A6A26BR	*8--01A6A26BS	*9--01A6A26BT	*A--01A6A26BU	*B--01A6A26BV	*C--01A6A26BW
*D--01A6A26BX	*E--01A6A26BY	*F--01A6A26BZ	*G--01A6A26CA	*H--01A6A26CB	*I--01A6A26CC
*J--01A6A26CD	*K--01A6A26CE	*L--01A6A26CF	*M--01A6A26CG	*N--01A6A26CH	*O--01A6A26CI
*P--01A6A26CJ	*Q--01A6A26CK	*R--01A6A26CL	*S--01A6A26CM	*T--01A6A26CN	*U--01A6A26CO
*V--01A6A26CP	*W--01A6A26CQ	*X--01A6A26CR	*Y--01A6A26CS	*Z--01A6A26CT	*1--01A6A26CU
*2--01A6A26CV	*3--01A6A26CW	*4--01A6A26CX	*5--01A6A26CY	*6--01A6A26CZ	*7--01A6A26CA
*8--01A6A26CB	*9--01A6A26CC	*A--01A6A26CD	*B--01A6A26CE	*C--01A6A26CF	*D--01A6A26CG
*E--01A6A26CH	*F--01A6A26CI	*G--01A6A26CJ	*H--01A6A26CK	*I--01A6A26CL	*J--01A6A26CM
*K--01A6A26CN	*L--01A6A26CO	*M--01A6A26CP	*N--01A6A26CQ	*O--01A6A26CR	*P--01A6A26CS
*Q--01A6A26CT	*R--01A6A26CU	*S--01A6A26CV	*T--01A6A26CW	*U--01A6A26CX	*V--01A6A26CY
*W--01A6A26CZ	*X--01A6A26CA	*Y--01A6A26CB	*Z--01A6A26CC	*1--01A6A26CD	*2--01A6A26CE
*3--01A6A26CF	*4--01A6A26CG	*5--01A6A26CH	*6--01A6A26CI	*7--01A6A26CJ	*8--01A6A26CK
*9--01A6A26CL	*A--01A6A26CM	*B--01A6A26CN	*C--01A6A26CO	*D--01A6A26CP	*E--01A6A26CQ
*F--01A6A26CR	*G--01A6A26CS	*H--01A6A26CT	*I--01A6A26CU	*J--01A6A26CV	*K--01A6A26CW
*L--01A6A26CX	*M--01A6A26CY	*N--01A6A26CZ	*O--01A6A26CA	*P--01A6A26CB	*Q--01A6A26CC
*R--01A6A26CD	*S--01A6A26CE	*T--01A6A26CF	*U--01A6A26CG	*V--01A6A26CH	*W--01A6A26CI
*X--01A6A26CJ	*Y--01A6A26CK	*Z--01A6A26CL	*1--01A6A26CM	*2--01A6A26CN	*3--01A6A26CO
*4--01A6A26CP	*5--01A6A26CQ	*6--01A6A26CR	*7--01A6A26CS	*8--01A6A26CT	*9--01A6A26CU
*A--01A6A26CV	*B--01A6A26CW	*C--01A6A26CX	*D--01A6A26CY	*E--01A6A26CZ	*F--01A6A26CA
*G--01A6A26CB	*H--01A6A26CC	*I--01A6A26CD	*J--01A6A26CE	*K--01A6A26CF	*L--01A6A26CG
*M--01A6A26CH	*N--01A6A26CI	*O--01A6A26CJ	*P--01A6A26CK	*Q--01A6A26CL	*R--01A6A26CM
*S--01A6A26CN	*T--01A6A26CO	*U--01A6A26CP	*V--01A6A26CQ	*W--01A6A26CR	*X--01A6A26CS
*Y--01A6A26CT	*Z--01A6A26CU	*1--01A6A26CV	*2--01A6A26CW	*3--01A6A26CX	*4--01A6A26CY
*5--01A6A26CZ	*6--01A6A26CA	*7--01A6A26CB	*8--01A6A26CC	*9--01A6A26CD	*A--01A6A26CE
*B--01A6A26CF	*C--01A6A26CG	*D--01A6A26CH	*E--01A6A26CI	*F--01A6A26CJ	*G--01A6A26CK
*H--01A6A26CL	*I--01A6A26CM	*J--01A6A26CN	*K--01A6A26CO	*L--01A6A26CP	*M--01A6A26CQ
*N--01A6A26CR	*O--01A6A26CS	*P--01A6A26CT	*Q--01A6A26CU	*R--01A6A26CV	*S--01A6A26CW
*T--01A6A26CX	*U--01A6A26CY	*V--01A6A26CZ	*W--01A6A26CA	*X--01A6A26CB	*Y--01A6A26CC
*Z--01A6A26CD	*1--01A6A26CE	*2--01A6A26CF	*3--01A6A26CG	*4--01A6A26CH	*5--01A6A26CI
*6--01A6A26CJ	*7--01A6A26CK	*8--01A6A26CL	*9--01A6A26CM	*A--01A6A26CN	*B--01A6A26CO
*C--01A6A26CP	*D--01A6A26CQ	*E--01A6A26CR	*F--01A6A26CS	*G--01A6A26CT	*H--01A6A26CU
*I--01A6A26CV	*J--01A6A26CW	*K--01A6A26CX	*L--01A6A26CY	*M--01A6A26CZ	*N--01A6A26CA
*O--01A6A26CB	*P--01A6A26CC	*Q--01A6A26CD	*R--01A6A26CE	*S--01A6A26CF	*T--01A6A26CG
*U--01A6A26CH	*V--01A6A26CI	*W--01A6A26CJ	*X--01A6A26CK	*Y--01A6A26CL	*Z--01A6A26CM
*1--01A6A26CN	*2--01A6A26CO	*3--01A6A26CP	*4--01A6A26CQ	*5--01A6A26CR	*6--01A6A26CS
*7--01A6A26CT	*8--01A6A26CU	*9--01A6A26CV	*A--01A6A26CW	*B--01A6A26CX	*C--01A6A26CY
*D--01A6A26CZ	*E--01A6A26CA	*F--01A6A26CB	*G--01A6A26CC	*H--01A6A26CD	*I--01A6A26CE
*J--01A6A26CF	*K--01A6A26CG	*L--01A6A26CH	*M--01A6A26CI	*N--01A6A26CJ	*O--01A6A26CK
*P--01A6A26CL	*Q--01A6A26CM	*R--01A6A26CN	*S--01A6A26CO	*T--01A6A26CP	*U--01A6A26CQ
*V--01A6A26CR	*W--01A6A26CS	*X--01A6A26CT	*Y--01A6A26CU	*Z--01A6A26CV	*1--01A6A26CW
*2--01A6A26CX	*3--01A6A26CY	*4--01A6A26CZ	*5--01A6A26CA	*6--01A6A26CB	*7--01A6A26CC
*8--01A6A26CD	*9--01A6A26CE	*A--01A6A26CF	*B--01A6A26CG	*C--01A6A26CH	*D--01A6A26CI
*E--01A6A26CJ	*F--01A6A26CK	*G--01A6A26CL	*H--01A6A26CM	*I--01A6A26CN	*J--01A6A26CO
*K--01A6A26CP	*L--01A6A26CQ	*M--01A6A26CR	*N--01A6A26CS	*O--01A6A26CT	*P--01A6A26CU
*Q--01A6A26CV	*R--01A6A26CW	*S--01A6A26CX	*T--01A6A26CY	*U--01A6A26CZ	*V--01A6A26CA
*W--01A6A26CB	*X--01A6A26CC	*Y--01A6A26CD	*Z--01A6A26CE	*1--01A6A26CF	*2--01A6A26CG
*3--01A6A26CH	*4--01A6A26CI	*5--01A6A26CJ	*6--01A6A26CK	*7--01A6A26CL	*8--01A6A26CM
*9--01A6A26CN	*A--01A6A26CO	*B--01A6A26CP	*C--01A6A26CQ	*D--01A6A26CR	*E--01A6A26CS
*F--01A6A26CT	*G--01A6A26CU	*H--01A6A26CV	*I--01A6A26CW	*J--01A6A26CX	*K--01A6A26CY
*L--01A6A26CZ	*M--01A6A26CA	*N--01A6A26CB	*O--01A6A26CC	*P--01A6A26CD	*Q--01A6A26CE
*R--01A6A26CF	*S--01A6A26CG	*T--01A6A26CH	*U--01A6A26CI	*V--01A6A26CJ	*W--01A6A26CK
*X--01A6A26CL	*Y--01A6A26CM	*Z--01A6A26CN	*1--01A6A26CO	*2--01A6A26CP	*3--01A6A26CQ
*4--01A6A26CR	*5--01A6A26CS	*6--01A6A26CT	*7--01A6A26CU	*8--01A6A26CV	*9--01A6A26CW
*A--01A6A26CX	*B--01A6A26CY	*C--01A6A26CZ	*D--01A6A26CA	*E--01A6A26CB	*F--01A6A26CC
*G--01A6A26CD	*H--01A6A26CE	*I--01A6A26CF	*J--01A6A26CG	*K--01A6A26CH	*L--01A6A26CI
*M--01A6A26CJ	*N--01A6A26CK	*O--01A6A26CL	*P--01A6A26CM	*Q--01A6A26CN	*R--01A6A26CO
*S--01A6A26CP	*T--01A6A26CQ	*U--01A6A26CR	*V--01A6A26CS	*W--01A6A26CT	*X--01A6A26CU
*Y--01A6A26CV	*Z--01A6A26CW	*1--01A6A26CX	*2--01A6A26CY	*3--01A6A26CZ	*4--01A6A26CA
*5--01A6A26CB	*6--01A6A26CC	*7--01A6A26CD	*8--01A6A26CE	*9--01A6A26CF	*A--01A6A26CG
*B--01A6A26CH	*C--01A6A26CI	*D--01A6A26CJ	*E--01A6A26CK	*F--01A6A26CL	*G--01A6A26CM
*H--01A6A26CN	*I--01A6A26CO	*J--01A6A26CP	*K--01A6A26CQ	*L--01A6A26CR	*M--01A6A26CS
*N--01A6A26CT	*O--01A6A26CU	*P--01A6A26CV	*Q--01A6A26CW	*R--01A6A26CX	*S--01A6A26CY
*T--01A6A26CZ	*U--01A6A26CA	*V--01A6A26CB	*W--01A6A26CC	*X--01A6A26CD	*Y--01A6A26CE
*Z--01A6A26CF	*1--01A6A26CG	*2--01A6A26CH	*3--01A6A26CI	*4--01A6A26CJ	*5--01A6A26CK
*6--01A6A26CL	*7--01A6A26CM	*8--01A6A26CN	*9--01A6A26CO	*A--01A6A26CP	*B--01A6A26CQ
*C--01A6A26CR	*D--01A6A26CS	*E--01A6A26CT	*F--01A6A26CU	*G--01A6A26CV	*H--01A6A26CW
*I--01A6A26CX	*J--01A6A26CY	*K--01A6A26CZ	*L--01A6A26CA	*M--01A6A26CB	*N--01A6A26CC
*O--01A6A26CD	*P--01A6A26CE	*Q--01A6A26CF	*R--01A6A26CG	*S--01A6A26CH	*T--01A6A26CI
*U--01A6A26CJ	*V--01A6A26CK	*W--01A6A26CL	*X--01A6A26CM	*Y--01A6A26CN	*Z--01A6A26CO
*1--01A6A26CP	*2--01A6A26CQ	*3--01A6A26CR	*4--01A6A26CS	*5--01A6A26CT	*6--01A6A26CU
*7--01A6A26CV	*8--01A6A26CW	*9--01A6A26CX	*A--01A6A26CY	*B--01A6A26CZ	*C--01A6A26CA
*D--01A6A26CB	*E--01A6A26CC	*F--01A6A26CD	*G--01A6A26CE	*H--01A6A26CF	*I--01A6A26CG
*J--01A6A26CH	*K--01A6A26CI	*L--01A6A26CJ	*M--01A6A26CK	*N--01A6A26CL	*O--01A6A26CM
*P--01A6A26CN	*Q--01A6A26CO	*R--01A6A26CP	*S--01A6A26CQ	*T--01A6A26CR	*U--01A6A26CS
*V--01A6A26CT	*W--01A6A26CU	*X--01A6A26CV	*Y--01A6A26CW	*Z--01A6A26CX	*1--01A6A26CY
*2--01A6A26CZ	*3--01A6A26CA	*4--01A6A26CB	*5--01A6A26CC	*6--01A6A26CD	*7--01A6A26CE
*8--01A6A26CF	*9--01A6A26CG	*A--01A6A26CH	*B--01A6A26CI	*C--01A6A26CJ	*D--01A6A26CK
*E--01A6A26CL	*F--01A6A26CM	*G--01A6A26CN	*H--01A6A26CO	*I--01A6A26CP	*J--01A6A26CQ
*K--01A6A26CR	*L--01A6A26CS	*M--01A6A26CT	*N--01A6A26CU	*O--01A6A26CV	*P--01A6A26CW
*Q--01A6A26CX	*R--01A6A26CY	*S--01A6A26CZ	*T--01A6A26CA	*U--01A6A26CB	*V--01A6A26CC
*W--01A6A26CD	*X--01A6A26CE	*Y--01A6A26CF	*Z--01A6A26CG	*1--01A6A26CH	*2--01A6A26CI
*3--01A6A26CJ	*4--01A6A26CK	*5--01A6A26CL	*6--01A6A2		

+U PRINT SCAN
36.37.01.2-01

+U PRINT SCAN
36.37.01.2

+U PRINT SCAN
36.38.31.2

+U COMP EQUAL
SAMPLE
36.37.01.2-02

+U COMP EQUAL
SAMPLE
36.38.01.2

+U COMP EQUAL
SAMPLE
36.38.11.2

-T NOT PR SCAN
COMP
36.37.01.2-03

-T NOT PR SCAN
COMP
36.37.01.2

-T NOT PR SCAN
COMP
36.37.01.2

*1-0185A24E

*2-0185A24H

*3-0185A24K

COMMENTS

IAG DATE	S.C.NO.	IAG DATE	S.C.NO.	IAG DATE	S.C.NO.	IAG DATE	S.C.NO.
15-05-61	37618A	12-09-63	1775				

722342

0722365

FEED THROUGH SHEET

1681 BA

30.37.81.2

TAG DAY

C 22.2.8
TA 1179

D 12.3.8
TA 1776

-Y HUNDREDS
ZERO
32.49.31.2-01

-Y HUNDREDS
ZERO
30.17.11.2

-Y HUNDREDS
ONE
31.48.31.2-02

-Y HUNDREDS
ONE
30.28.11.2

*1-0185A23M

*2-0185A23P

*3-0185A25M

*4-0185A25P

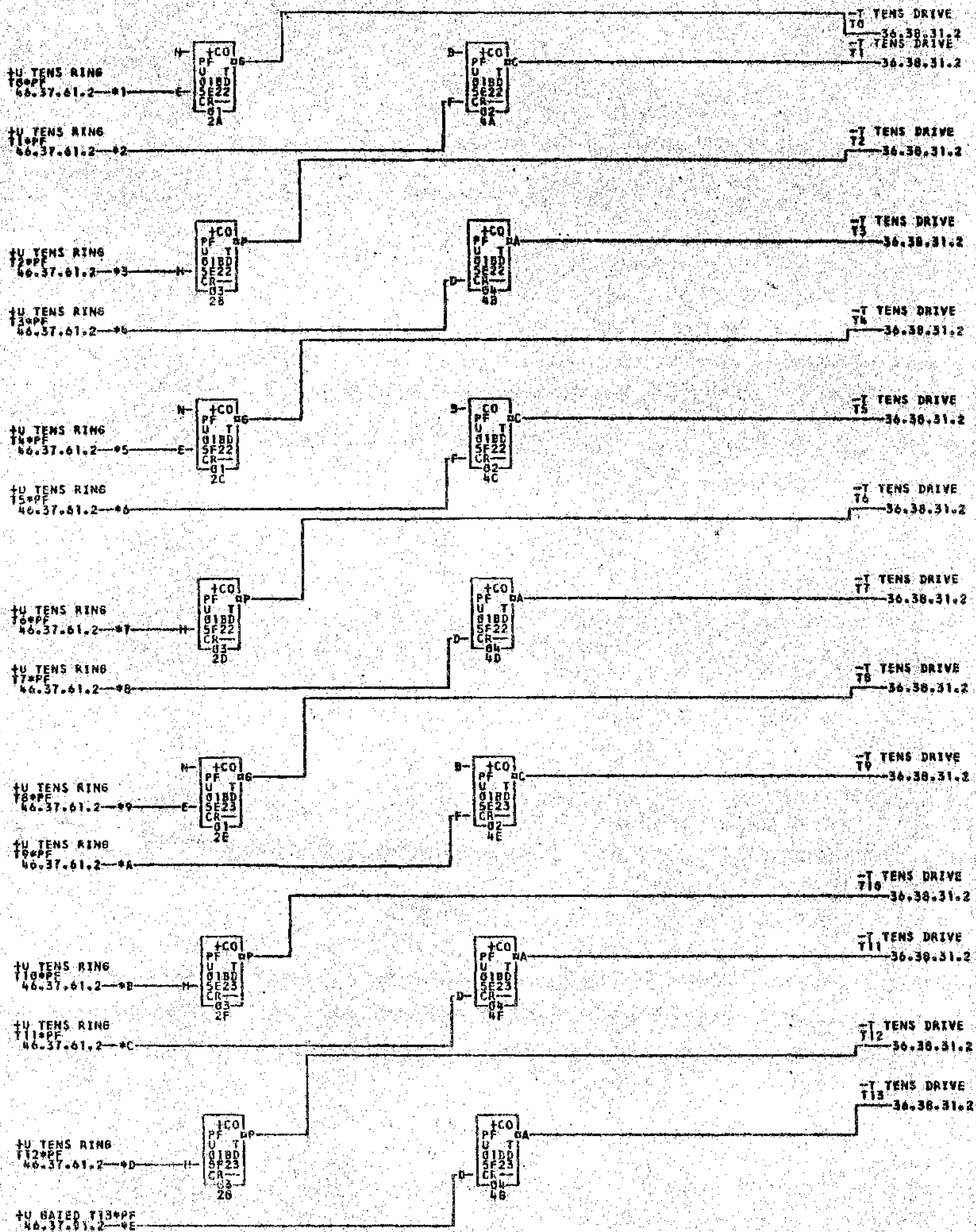
-----0187C03P

COMMENTS

18.12.2015 10:00:00 18.12.2015 10:00:00 18.12.2015 10:00:00 18.12.2015 10:00:00

722343

1775



O 22.2.62
 TA 1179
 D 12.3.63
 TA 1775

- #1-01B5A02A
- #2-01B5A02B
- #3-01B5A02C
- #4-01B5A02D
- #5-01B5A02E
- #6-01B5A02F

ADD 022 023 F22 F23 FOR PRINT STORAGE

COMMENTS TAG DATE 10-01-60 F06500 TAG DATE 11-01-60 F06500 TAG DATE 12-01-61 F06500 TAG DATE 12-10-62 F06500

722344

+U UNITS RING
U5*PF
46.37.51.2-#1
+U UNITS DECODE
U5
36.38.51.2-#1

+U UNITS RING
U6*PF
46.37.51.2-#2
+U UNITS DECODE
U6
36.38.51.2-#2

+U COMP EQUAL
SAMPLE
36.39.61.2

+U UNITS DECODE
U7
36.38.51.2-#3
+U UNITS RING
U7*PF
46.37.51.2-#3

+U UNITS DECODE
U8
36.38.51.2-#4
+U UNITS RING
U8*PF
46.37.51.2-#4

+U UNITS DECODE
U9
36.38.51.2-#5
+U UNITS RING
U9*PF
46.37.51.2-#5

+T HAMMER DRIVE
U5 SET
36.38.61.2
+T HAMMER DRIVE
U5 SET
36.38.71.2
+T HAMMER DRIVE
U5 SET
36.38.81.2
+T HAMMER DRIVE
U5 SET
36.38.91.2
+T HAMMER DRIVE
U5 SET
36.39.01.2
+T HAMMER DRIVE
U5 SET
36.39.11.2
+T HAMMER DRIVE
U5 SET
36.39.21.2
+T HAMMER DRIVE
U5 SET
36.39.31.2
+T HAMMER DRIVE
U5 SET
36.39.41.2
+T HAMMER DRIVE
U5 SET
36.38.21.2

+T HAMMER DRIVE
U6 SET
36.38.61.2
+T HAMMER DRIVE
U6 SET
36.38.71.2
+T HAMMER DRIVE
U6 SET
36.38.81.2
+T HAMMER DRIVE
U6 SET
36.38.91.2
+T HAMMER DRIVE
U6 SET
36.39.01.2
+T HAMMER DRIVE
U6 SET
36.39.11.2
+T HAMMER DRIVE
U6 SET
36.39.21.2
+T HAMMER DRIVE
U6 SET
36.39.31.2
+T HAMMER DRIVE
U6 SET
36.39.41.2
+T HAMMER DRIVE
U6 SET
36.38.21.2

+T HAMMER DRIVE
U7 SET
36.38.61.2
+T HAMMER DRIVE
U7 SET
36.38.71.2
+T HAMMER DRIVE
U7 SET
36.38.81.2
+T HAMMER DRIVE
U7 SET
36.38.91.2
+T HAMMER DRIVE
U7 SET
36.39.01.2
+T HAMMER DRIVE
U7 SET
36.39.11.2
+T HAMMER DRIVE
U7 SET
36.39.21.2
+T HAMMER DRIVE
U7 SET
36.39.31.2
+T HAMMER DRIVE
U7 SET
36.39.41.2
+T HAMMER DRIVE
U7 SET
36.38.21.2

+T HAMMER DRIVE
U8 SET
36.38.61.2
+T HAMMER DRIVE
U8 SET
36.38.71.2
+T HAMMER DRIVE
U8 SET
36.38.81.2
+T HAMMER DRIVE
U8 SET
36.38.91.2
+T HAMMER DRIVE
U8 SET
36.39.01.2
+T HAMMER DRIVE
U8 SET
36.39.11.2
+T HAMMER DRIVE
U8 SET
36.39.21.2
+T HAMMER DRIVE
U8 SET
36.39.31.2
+T HAMMER DRIVE
U8 SET
36.39.41.2
+T HAMMER DRIVE
U8 SET
36.38.21.2

+T HAMMER DRIVE
U9 SET
36.38.61.2
+T HAMMER DRIVE
U9 SET
36.38.71.2
+T HAMMER DRIVE
U9 SET
36.38.81.2
+T HAMMER DRIVE
U9 SET
36.38.91.2
+T HAMMER DRIVE
U9 SET
36.39.01.2
+T HAMMER DRIVE
U9 SET
36.39.11.2
+T HAMMER DRIVE
U9 SET
36.39.21.2
+T HAMMER DRIVE
U9 SET
36.39.31.2
+T HAMMER DRIVE
U9 SET
36.39.41.2
+T HAMMER DRIVE
U9 SET
36.38.21.2

#1-01B5A01F #2-01B5A016 #3-01B5A01H #4-01B5A01N #5-01B5A01P

1775
722346

COMMENTS
ALL +U UNITS RING SIGNALS ARE FLOATING
WITHOUT PRINT STORAGE. ALL +U UNITS
DECODE SIGNALS ARE FLOATING WITH PRINT
STORAGE.
NOTE 1- DRIVE LINES CLAMPED TO GRD.

TAG DATE E.C.NO. TAG DATE E.C.NO.
A 10-01-60 1895013 B 12-10-62 112749A

TAG DATE E.C.NO. TAG DATE E.C.NO.

TT HAMMER DRIVE
U0 SET
36.38.01.2

TT HAMMER DRIVE
U0 SET
36.39.01.2
TT HAMMER DRIVE
U0 SET
36.39.71.2
TT HAMMER DRIVE
U0 SET
36.39.81.2
TT HAMMER DRIVE
U0 SET
36.39.91.2

TT HAMMER DRIVE
U1 SET
36.38.01.2

TT HAMMER DRIVE
U1 SET
36.39.01.2
TT HAMMER DRIVE
U1 SET
36.39.71.2
TT HAMMER DRIVE
U1 SET
36.39.81.2
TT HAMMER DRIVE
U1 SET
36.39.91.2

TT HAMMER DRIVE
U2 SET
36.38.01.2

TT HAMMER DRIVE
U2 SET
36.39.01.2
TT HAMMER DRIVE
U2 SET
36.39.71.2
TT HAMMER DRIVE
U2 SET
36.39.81.2
TT HAMMER DRIVE
U2 SET
36.39.91.2

TT HAMMER DRIVE
U3 SET
36.38.01.2

TT HAMMER DRIVE
U3 SET
36.39.01.2
TT HAMMER DRIVE
U3 SET
36.39.61.2
TT HAMMER DRIVE
U3 SET
36.39.71.2
TT HAMMER DRIVE
U3 SET
36.39.81.2

TT HAMMER DRIVE
U4 SET
36.38.01.2

TT HAMMER DRIVE
U4 SET
36.39.01.2
TT HAMMER DRIVE
U4 SET
36.39.61.2
TT HAMMER DRIVE
U4 SET
36.39.71.2
TT HAMMER DRIVE
U4 SET
36.39.81.2

TT HAMMER DRIVE
U5 SET
36.38.11.2

TT HAMMER DRIVE
U5 SET
36.39.01.2
TT HAMMER DRIVE
U5 SET
36.39.61.2
TT HAMMER DRIVE
U5 SET
36.39.71.2
TT HAMMER DRIVE
U5 SET
36.39.81.2

TT HAMMER DRIVE
U6 SET
36.38.11.2

TT HAMMER DRIVE
U6 SET
36.39.01.2
TT HAMMER DRIVE
U6 SET
36.39.61.2
TT HAMMER DRIVE
U6 SET
36.39.71.2
TT HAMMER DRIVE
U6 SET
36.39.81.2

TT HAMMER DRIVE
U7 SET
36.38.11.2

TT HAMMER DRIVE
U7 SET
36.39.01.2
TT HAMMER DRIVE
U7 SET
36.39.61.2
TT HAMMER DRIVE
U7 SET
36.39.71.2
TT HAMMER DRIVE
U7 SET
36.39.81.2

TT HAMMER DRIVE
U8 SET
36.38.11.2

TT HAMMER DRIVE
U8 SET
36.39.01.2
TT HAMMER DRIVE
U8 SET
36.39.61.2
TT HAMMER DRIVE
U8 SET
36.39.71.2
TT HAMMER DRIVE
U8 SET
36.39.81.2

TT HAMMER DRIVE
U9 SET
36.38.11.2

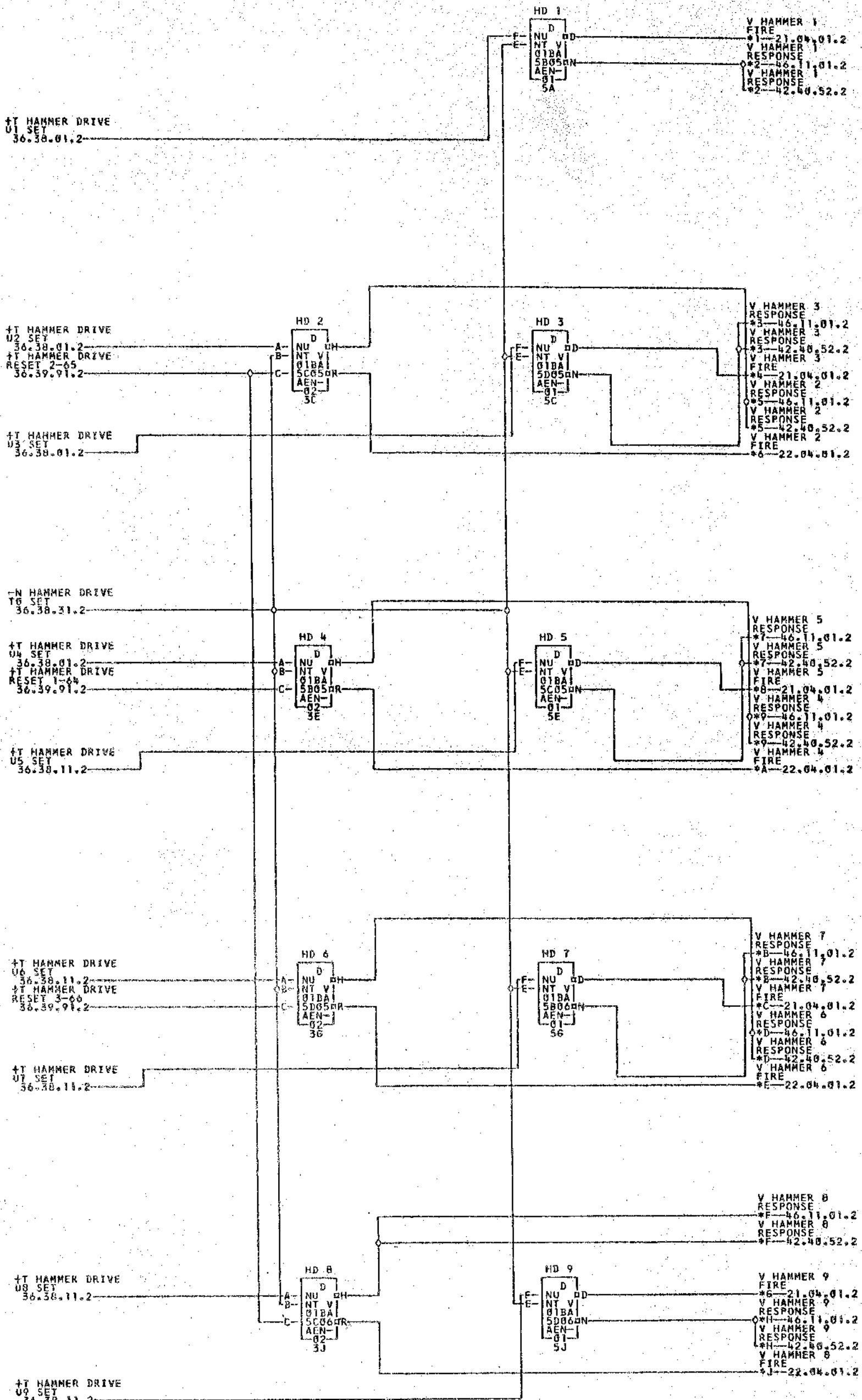
TT HAMMER DRIVE
U9 SET
36.39.01.2
TT HAMMER DRIVE
U9 SET
36.39.61.2
TT HAMMER DRIVE
U9 SET
36.39.71.2
TT HAMMER DRIVE
U9 SET
36.39.81.2

COMMENTS

TAG DATE E.C.NO. TAG DATE E.C.NO. TAG DATE E.C.NO. TAG DATE E.C.NO.
11-01-60 10560J B 12-10-62 115794A

722367

A 15.2.62
TA 37899K
B 12.9.63
TA 1775



- *1-01B5A03A
- *2-01B5A14A
- *3-01B5A16A
- *4-01B5A03B
- *5-01B5A15A
- *6-01B5A08A
- *7-01B5A18A
- *8-01B5A03C
- *9-01B5A17A
- *A-01B5A08B
- *B-01B5A20A
- *C-01B5A03D
- *D-01B5A19A
- *E-01B5A08C
- *F-01B5A21A
- *G-01B5A03E
- *H-01B5A22A
- *J-01B5A08D

COMMENTS

TAG DATE E.C.NO. TAG DATE E.C.NO. TAG DATE E.C.NO. TAG DATE E.C.NO.

A 01-24-61 1095010 B 12-10-62 116749A

0723171

+T HAMMER DRIVE
 U0 SET
 36.38.01.2
 +T HAMMER DRIVE
 RESET 1-64
 36.39.91.2

+T HAMMER DRIVE
 U1 SET
 36.38.01.2

+T HAMMER DRIVE
 U2 SET
 36.38.01.2
 +T HAMMER DRIVE
 RESET 3-66
 36.39.91.2

+T HAMMER DRIVE
 U3 SET
 36.38.01.2

-N HAMMER DRIVE
 T1 SET
 36.38.31.2

+T HAMMER DRIVE
 U4 SET
 36.38.01.2
 +T HAMMER DRIVE
 RESET 2-65
 36.39.91.2

+T HAMMER DRIVE
 U5 SET
 36.38.11.2

+T HAMMER DRIVE
 U6 SET
 36.38.11.2

+T HAMMER DRIVE
 U7 SET
 36.38.11.2

+T HAMMER DRIVE
 U8 SET
 36.38.11.2

+T HAMMER DRIVE
 U9 SET
 36.38.11.2

*1-01B5A14B
 *7-01B5A15B
 *D-01B5A20B
 *K-01B5A22B

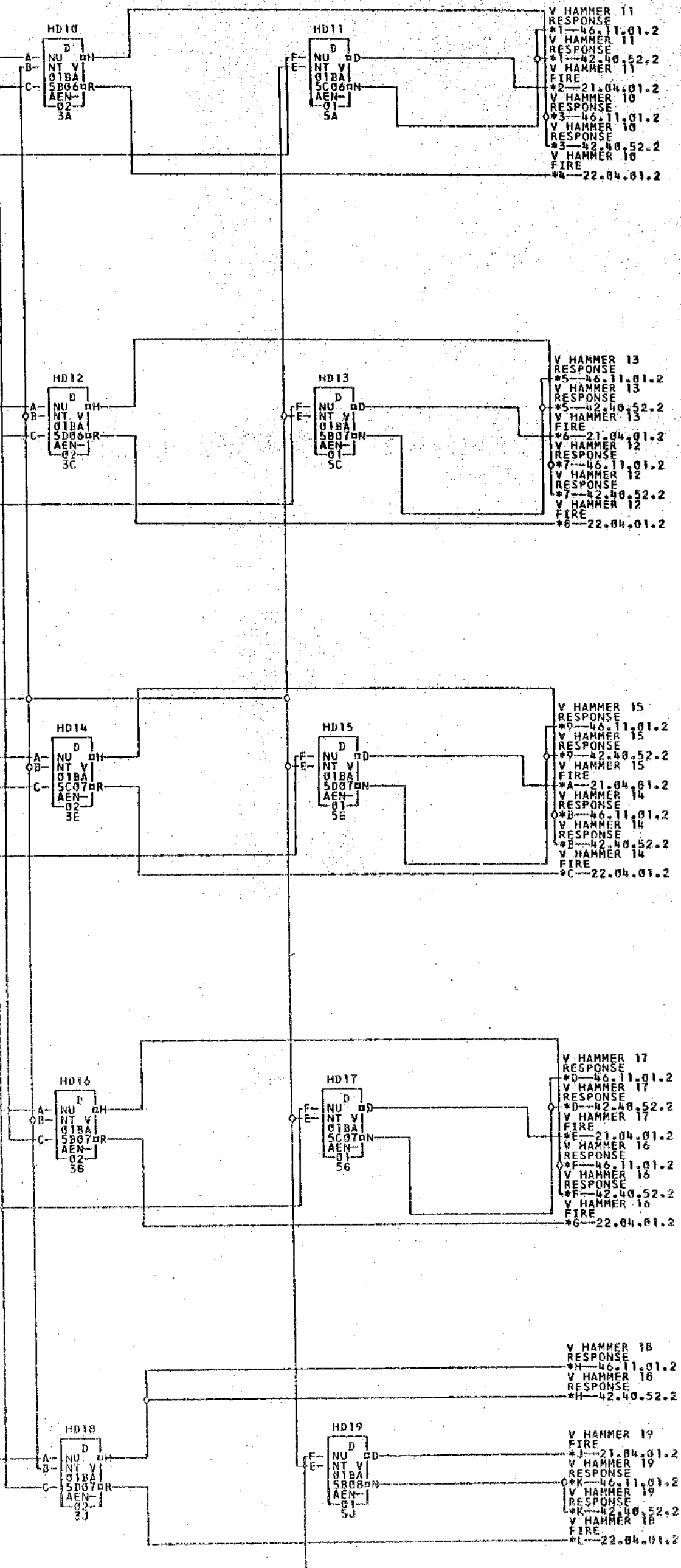
*2-01B5A03F
 *8-01B5A06F
 *E-01B5A03J
 *L-01B5A08J

*3-01B5A14R
 *9-01B5A18B
 *F-01B5A19B

*4-01B5A08E
 *A-01B5A03H
 *6-01B5A08H

*5-01B5A16D
 *B-01B5A17B
 *H-01B5A21B

*6-01B5A03G
 *C-01B5A08G
 *J-01B5A03K



V HAMMER 11
 RESPONSE
 *1-46.11.01.2
 V HAMMER 11
 RESPONSE
 *1-42.40.52.2
 V HAMMER 11
 FIRE
 *2-21.04.01.2
 V HAMMER 10
 RESPONSE
 *3-46.11.01.2
 V HAMMER 10
 RESPONSE
 *3-42.40.52.2
 V HAMMER 10
 FIRE
 *4-22.04.01.2

V HAMMER 13
 RESPONSE
 *5-46.11.01.2
 V HAMMER 13
 RESPONSE
 *5-42.40.52.2
 V HAMMER 13
 FIRE
 *6-21.04.01.2
 V HAMMER 12
 RESPONSE
 *7-46.11.01.2
 V HAMMER 12
 RESPONSE
 *7-42.40.52.2
 V HAMMER 12
 FIRE
 *8-22.04.01.2

V HAMMER 15
 RESPONSE
 *9-46.11.01.2
 V HAMMER 15
 RESPONSE
 *9-42.40.52.2
 V HAMMER 15
 FIRE
 *A-21.04.01.2
 V HAMMER 14
 RESPONSE
 *B-46.11.01.2
 V HAMMER 14
 RESPONSE
 *B-42.40.52.2
 V HAMMER 14
 FIRE
 *C-22.04.01.2

V HAMMER 17
 RESPONSE
 *D-46.11.01.2
 V HAMMER 17
 RESPONSE
 *D-42.40.52.2
 V HAMMER 17
 FIRE
 *E-21.04.01.2
 V HAMMER 16
 RESPONSE
 *F-46.11.01.2
 V HAMMER 16
 RESPONSE
 *F-42.40.52.2
 V HAMMER 16
 FIRE
 *6-22.04.01.2

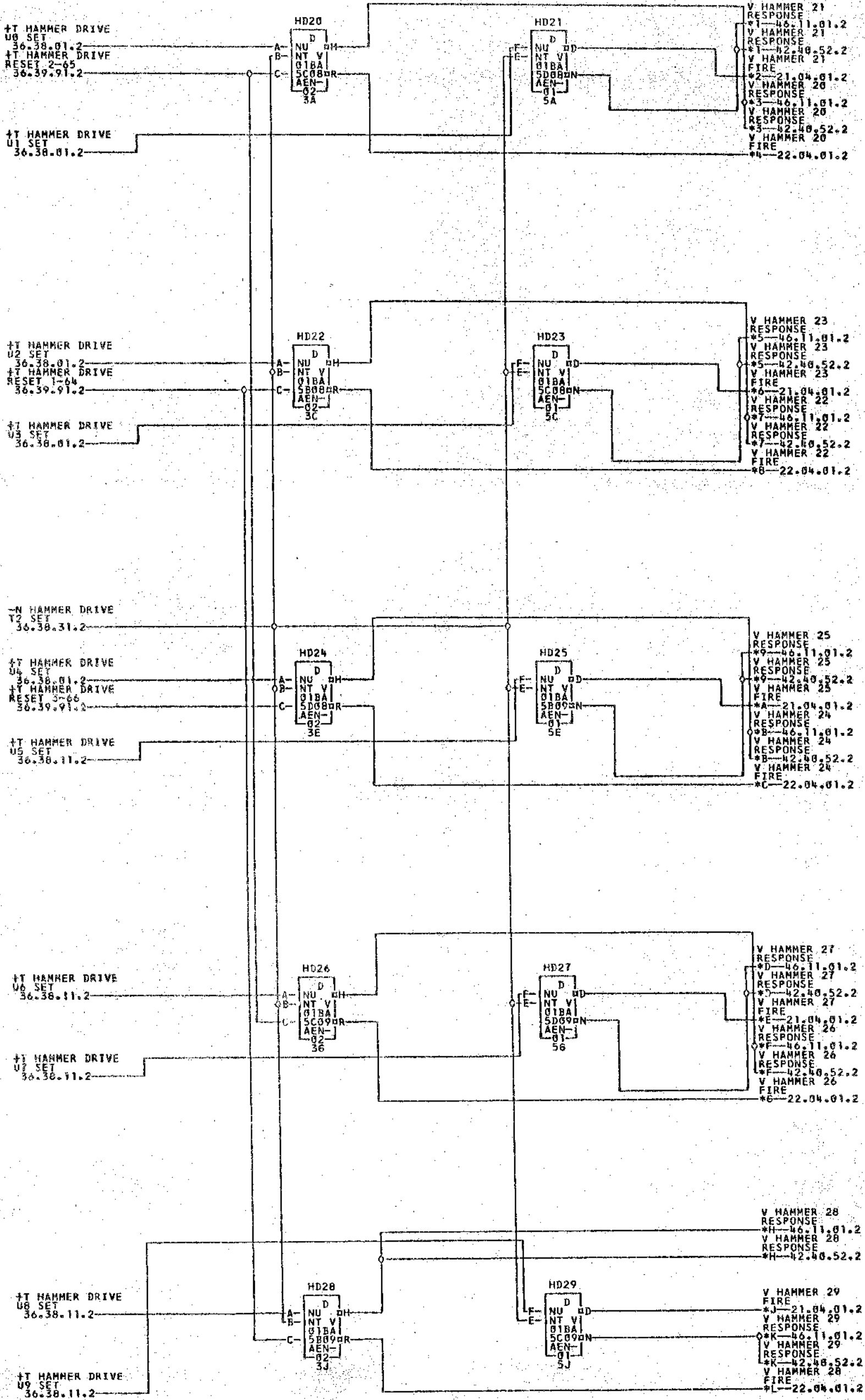
V HAMMER 18
 RESPONSE
 *H-46.11.01.2
 V HAMMER 18
 RESPONSE
 *H-42.40.52.2

V HAMMER 19
 FIRE
 *J-21.04.01.2
 V HAMMER 19
 RESPONSE
 *K-46.11.01.2
 V HAMMER 19
 RESPONSE
 *K-42.40.52.2
 V HAMMER 18
 FIRE
 *L-22.04.01.2

COMMENTS

TAG DATE E.C.NO. TAG DATE E.C.NO. TAG DATE E.C.NO. TAG DATE E.C.NO.
 A 01-24-61 1095010 B 04-03-61 110437 C 12-10-62 116709A

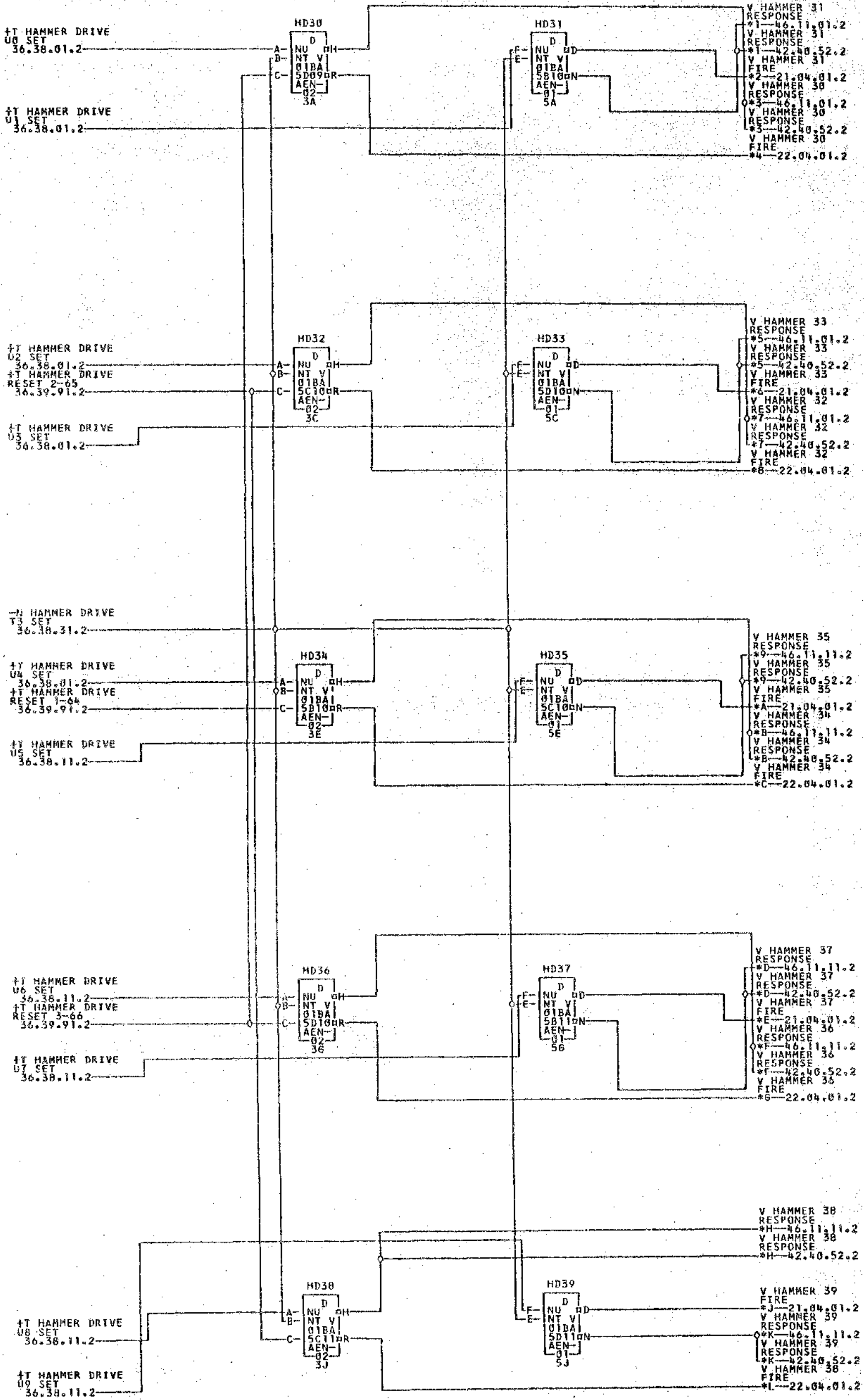
723172



COMMENTS

TAG DATE	E.C.NO.	TAG DATE	E.C.NO.	TAG DATE	E.C.NO.	TAG DATE	E.C.NO.
A 01-24-61	109501Q	B 12-10-62	116749A				

723173

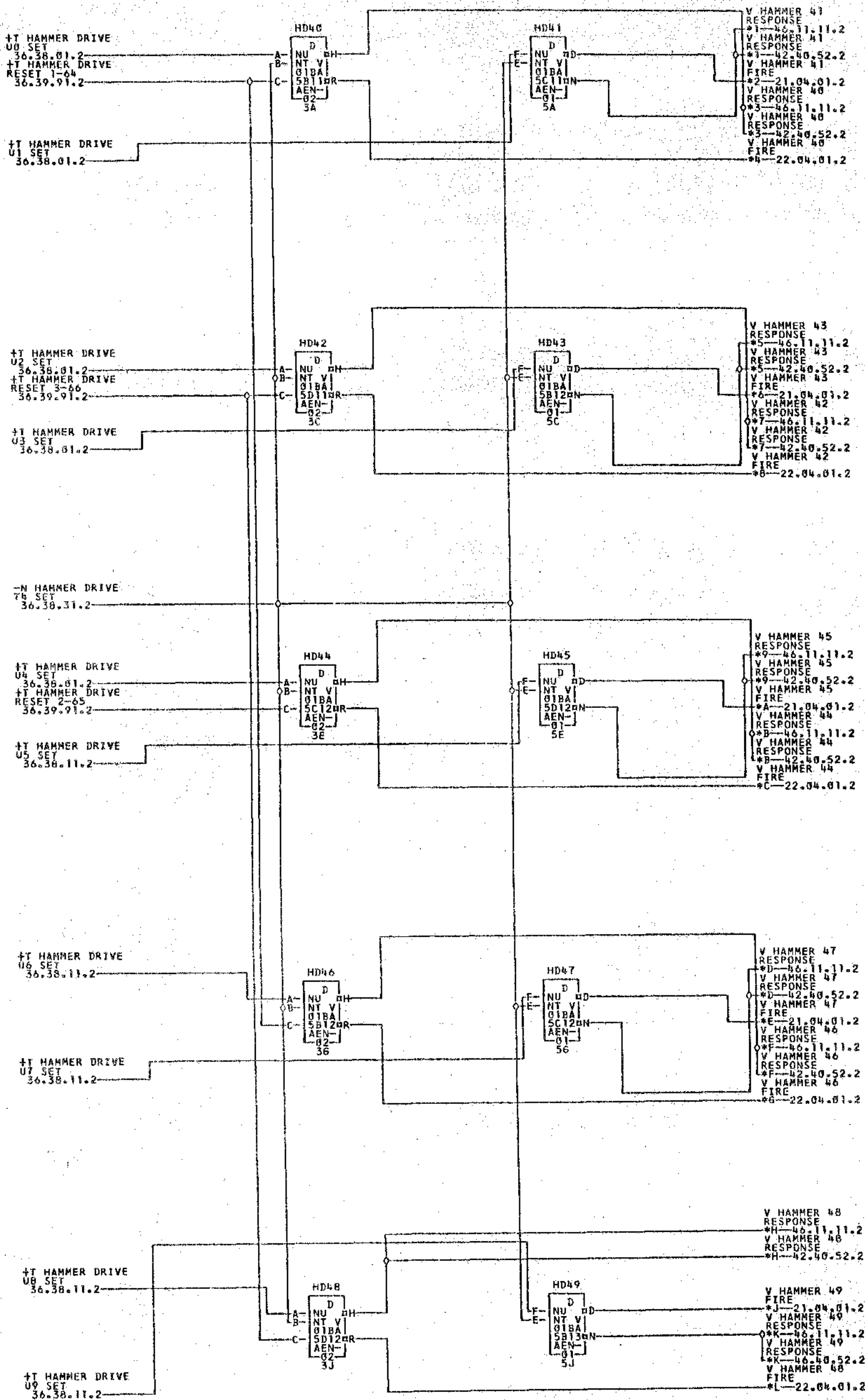


- *1-01B5A14D
- *2-01B5A03R
- *3-01B5A160
- *4-01B5A080
- *5-01B5A16D
- *6-01B5A04A
- *7-01B5A15D
- *8-01B5A03R
- *9-01B5A18D
- *A-01B5A04B
- *B-01B5A17D
- *C-01B5A07A
- *D-01B5A20D
- *E-01B5A03C
- *F-01B5A19D
- *G-01B5A09B
- *H-01B5A21D
- *J-01B5A04D
- *K-01B5A22D
- *L-01B5A09C

COMMENTS

TAG DATE E.C.NO. TAG DATE E.C.NO. TAG DATE E.C.NO. TAG DATE E.C.NO.
 A 01-24-61 1095010 B 12-10-62 116749A

123174



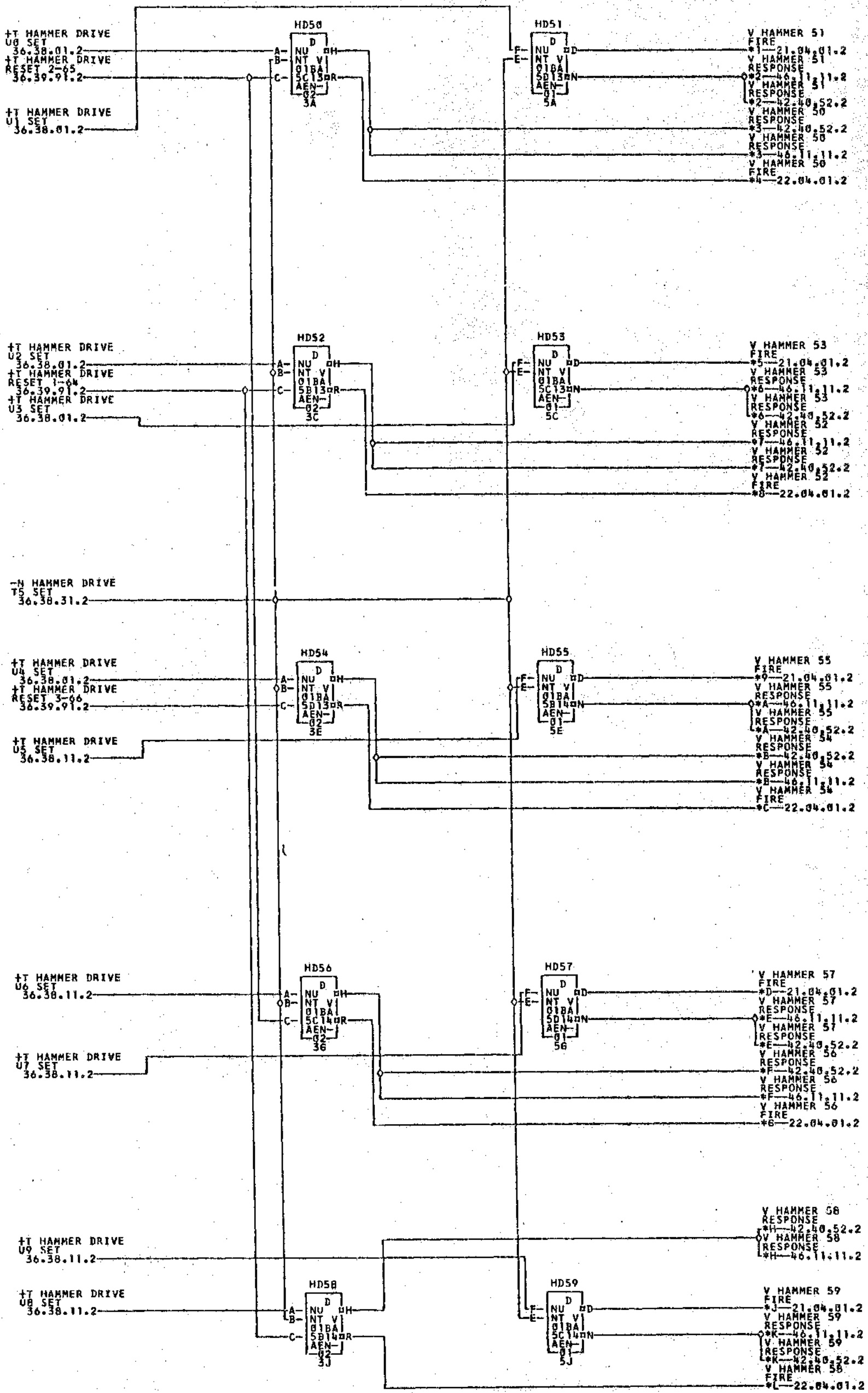
A 15.2.62
 TA 37699K
 B 12.3.63
 TA 1775

- *1-01B5A10E
- *2-01B5A04E
- *3-01B5A16R
- *4-01B5A09D
- *5-01B5A16E
- *6-01B5A04F
- *7-01B5A15E
- *8-01B5A09E
- *9-01B5A18E
- *A-01B5A046
- *B-01B5A17E
- *C-01B5A09F
- *D-01B5A20R
- *E-01B5A04H
- *F-01B5A19E
- *G-01B5A096
- *H-01B5A21E
- *J-01B5A04J
- *K-01B5A22E
- *L-01B5A09H

723175

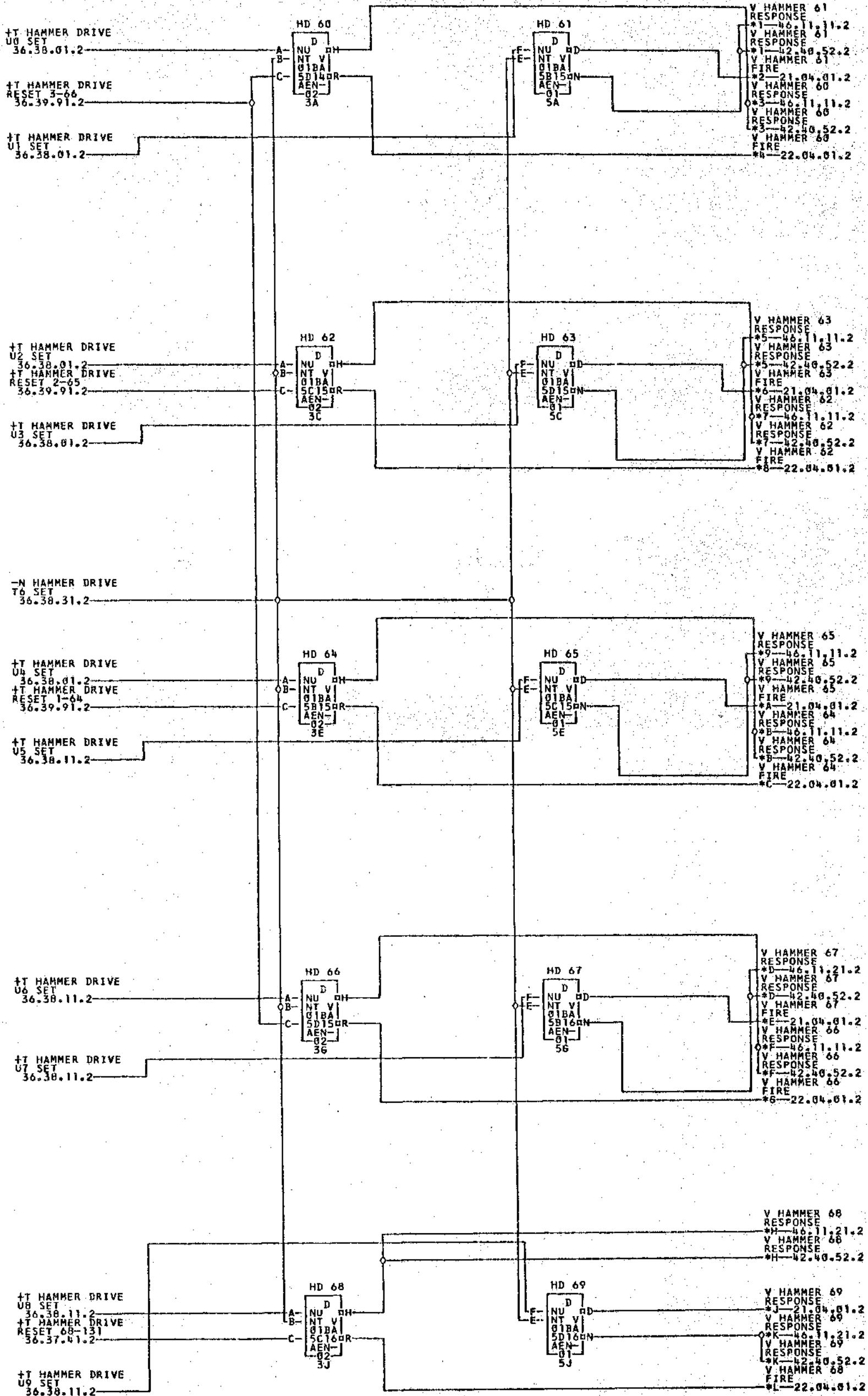
COMMENTS

TAG DATE E.C.NO. TAG DATE E.C.NO. TAG DATE E.C.NO. TAG DATE E.C.NO.
 A 01-24-61 1095010 B 12-10-62 116749A



A 15.2.62
 TA 37690K
 B 12.3.63
 TA 1775

- *1-01B5A04K
- *2-01B5A14F
- *3-01B5A170
- *4-01B5A09J
- *5-01B5A04L
- *6-01B5A16F
- *7-01B5A15F
- *8-01B5A09K
- *9-01B5A09N
- *A-01B5A18E
- *B-01B5A17F
- *C-01B5A09L
- *D-01B5A04N
- *E-01B5A20K
- *F-01B5A19F
- *G-01B5A09M
- *H-01B5A21F
- *I-01B5A09P
- *J-01B5A04P
- *K-01B5A22F
- *L-01B5A09N



*1-01B5A106
 *7-01B5A156
 *D-01B5A206
 *K-01B5A226

*2-01B5A060
 *8-01B5A090
 *E-01B5A058
 *L-01B5A108

*3-01B5A17R
 *9-01B5A186
 *F-01B5A196

*4-01B5A09P
 *A-01B5A05A
 *6-01B5A10A

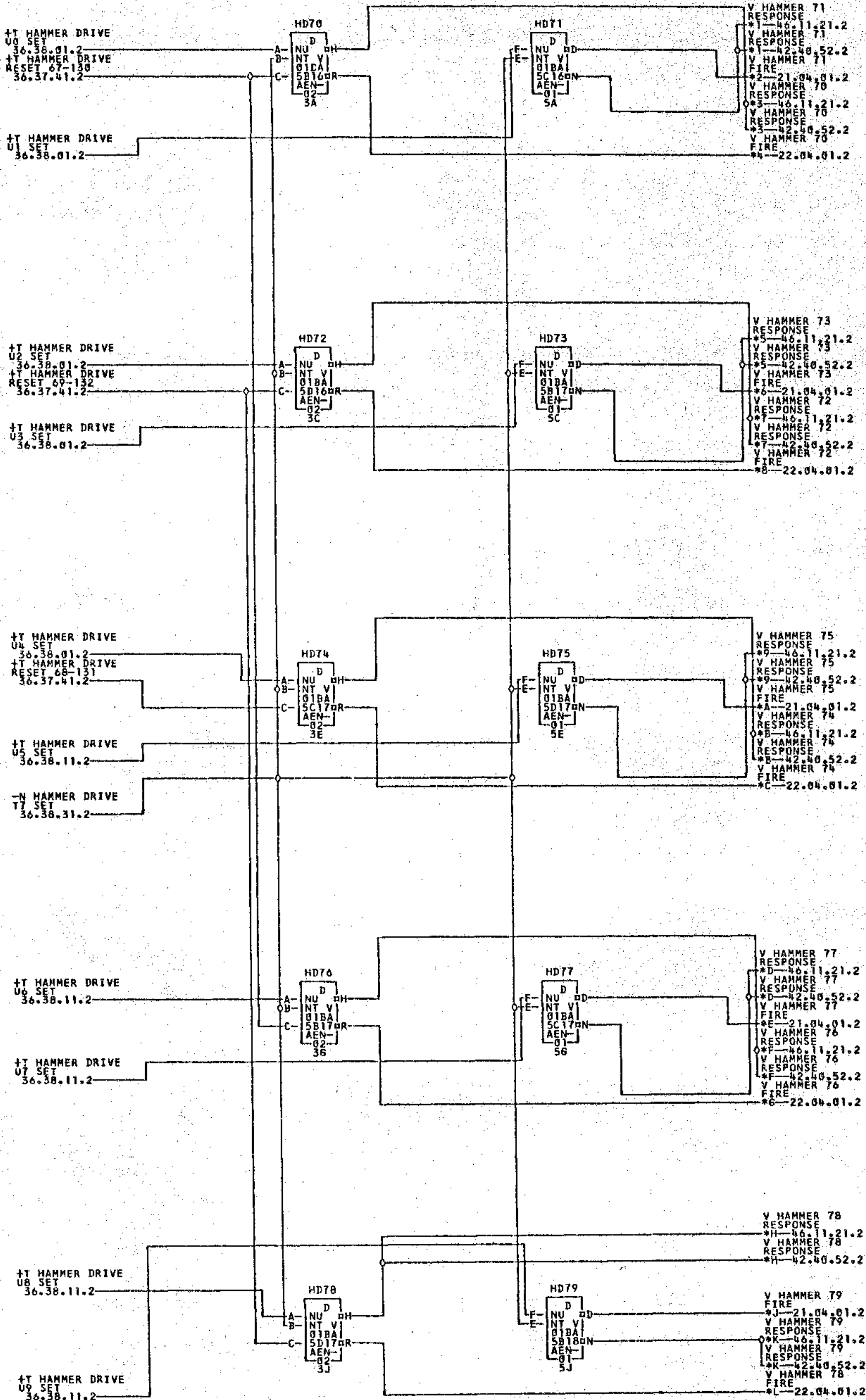
*5-01B5A16G
 *B-01B5A17G
 *H-01B5A21G

*0-01B5A08R
 *C-01B5A09R
 *J-01B5A05C

COMMENTS

TAG DATE E.C.NO. TAG DATE E.C.NO. TAG DATE E.C.NO. TAG DATE E.C.NO.
 A 01-24-61 1095010 B 12-10-62 110749A

723177



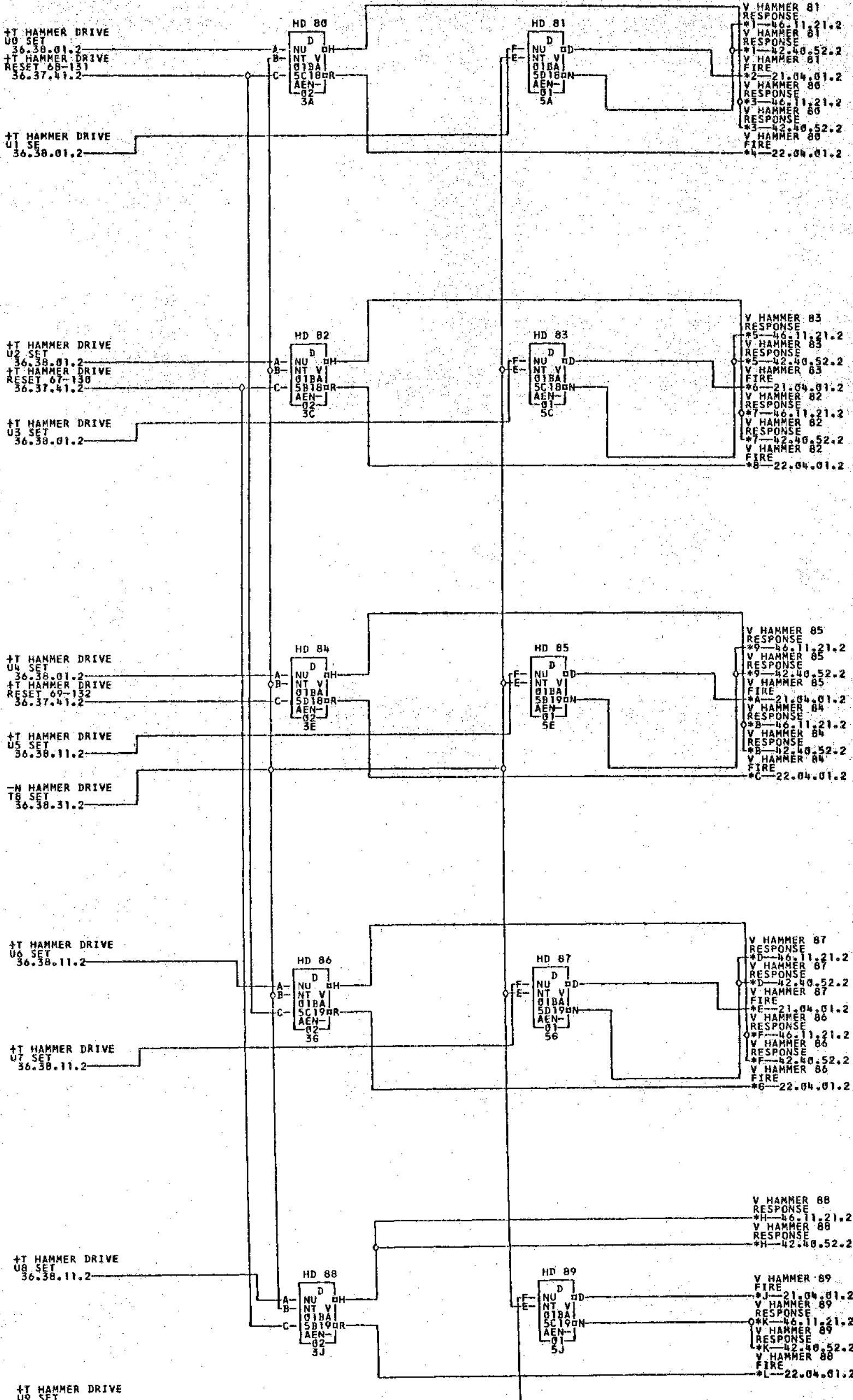
A 15.2.62
 TA 37699K
 B 12.3.63
 TA 1775

- *1-01B5A16H
- *2-01B5A05D
- *3-01B5A180
- *4-01B5A10C
- *5-01B5A16H
- *6-01B5A05E
- *7-01B5A15H
- *8-01B5A10D
- *9-01B5A180
- *A-01B5A10C
- *B-01B5A17H
- *C-01B5A10E
- *D-01B5A20H
- *E-01B5A05E
- *F-01B5A19H
- *G-01B5A10F
- *H-01B5A21H
- *I-01B5A10B
- *J-01B5A05H
- *K-01B5A22H
- *L-01B5A10B

COMMENTS

TAG DATE E.C.NO. TAG DATE E.C.NO. TAG DATE E.C.NO. TAG DATE E.C.NO.
 A 01-24-61 1095810 D 12-10-62 112749A

723178

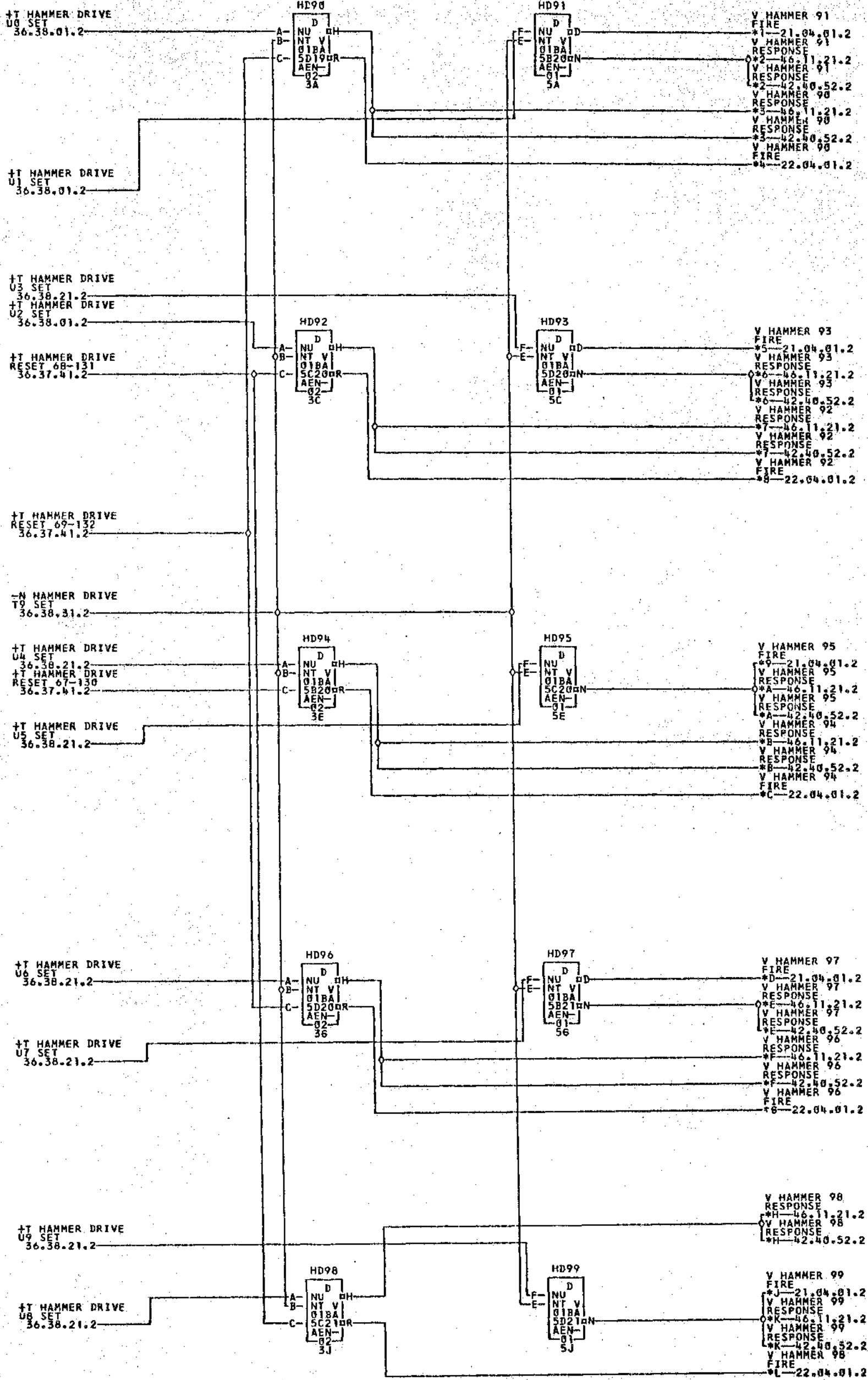


- *1-01B5A14K
- *2-01B5A05J
- *3-01B5A18R
- *4-01B5A10H
- *5-01B5A16K
- *6-01B5A05K
- *7-01B5A15K
- *8-01B5A10J
- *9-01B5A18K
- *A-01B5A05L
- *B-01B5A17K
- *C-01B5A16K
- *D-01B5A20K
- *E-01B5A05M
- *F-01B5A19K
- *G-01B5A10L
- *H-01B5A21K
- *J-01B5A05N
- *K-01B5A22K
- *L-01B5A10M

COMMENTS

TAG DATE	E.C.NO.	TAG DATE	E.C.NO.	TAG DATE	E.C.NO.
A 01-24-61	1095010	B 12-16-62	116749A		

723179



A 15.8.62
 TA 37699K
 B 12.3.63
 TA 1775

*1-01B5A05P
 *7-01B5A15L
 *D-01B5A06A
 *K-01B5A22L

*2-01B5A14L
 *8-01B5A10P
 *E-01B5A20L
 *L-01B5A11A

*3-01B5A190
 *9-01B5A05R
 *F-01B5A19L

*4-01B5A10N
 *A-01B5A18L
 *G-01B5A10R

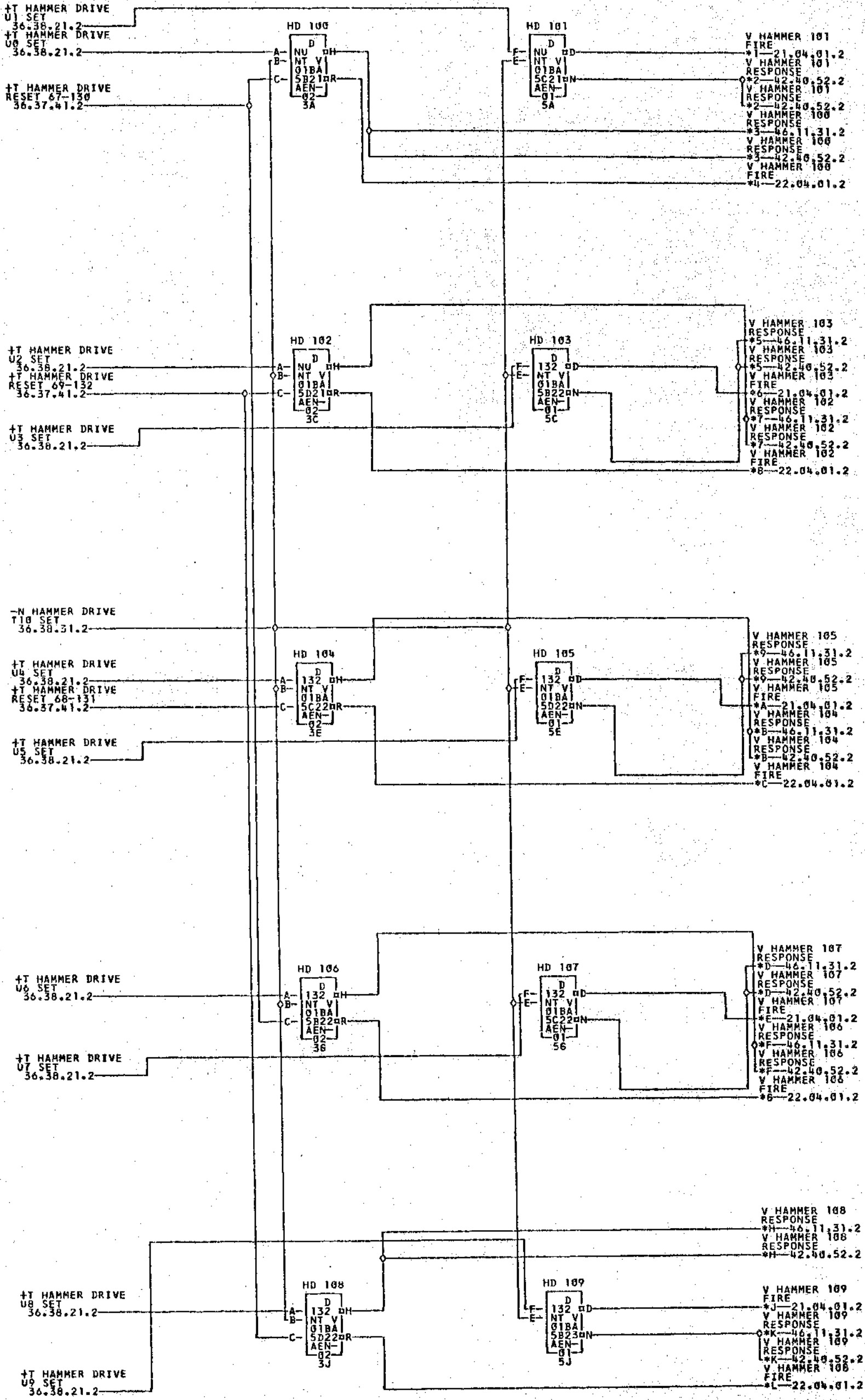
*5-01B5A050
 *B-01B5A17L
 *H-01B5A21L

*6-01B5A16L
 *C-01B5A100
 *J-01B5A06B

COMMENTS

TAG DATE E.C.NO. TAG DATE E.C.NO. TAG DATE E.C.NO. TAG DATE E.C.NO.
 A 01-24-61 1095010 B 12-10-62 116749A

723180



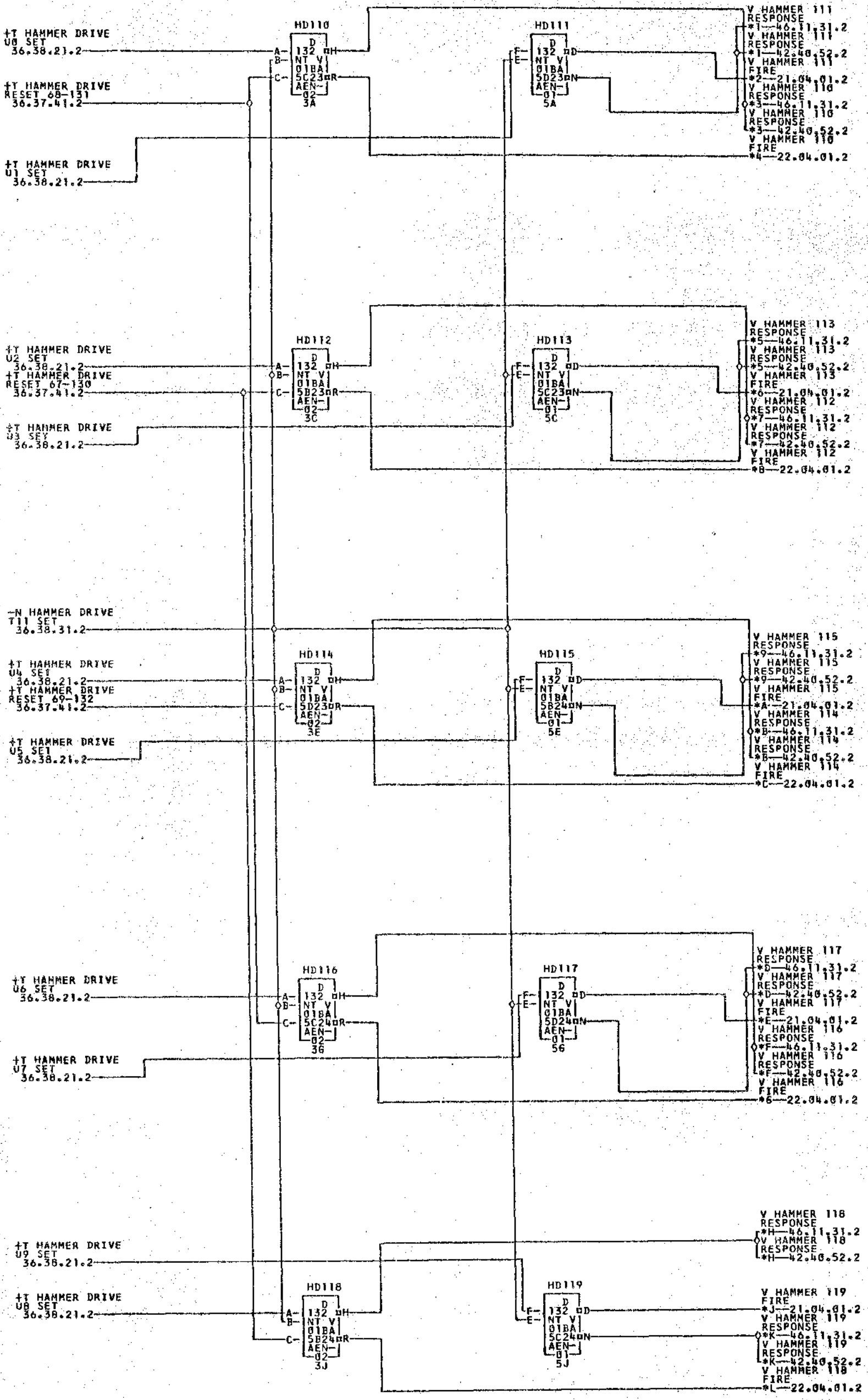
A 15.2.82
TA 37699K
B 12.3.63
TA 1776

- *1-01B5A06C
- *2-01B5A14M
- *3-01B5A19R
- *4-01B5A11B
- *5-01B5A16M
- *6-01B5A06D
- *7-01B5A15M
- *8-01B5A11C
- *9-01B5A18M
- *A-01B5A06E
- *B-01B5A17M
- *C-01B5A11D
- *D-01B5A20M
- *E-01B5A06F
- *F-01B5A19M
- *G-01B5A11E
- *H-01B5A21M
- *J-01B5A06G
- *K-01B5A22M
- *L-01B5A11F

723181

COMMENTS
ADD B22 C22 D22 B23 FOR
PRINT EXPAND 132 POSITIONS.

TAG DATE	E.C.NO.	TAG DATE	E.C.NO.	TAG DATE	E.C.NO.	TAG DATE	E.C.NO.
A 01-24-61	1095010	B 12-10-62	116749A				



A 18.2.62
 TA 37690K
 B 12.3.63
 TA 1775

- *1-01B5A14N
- *7-01B5A15N
- *D-01B5A20N
- *K-01B5A22N

- *2-01B5A06H
- *8-01B5A11H
- *E-01B5A06L
- *L-01B5A11L

- *3-01B5A20G
- *9-01B5A18N
- *F-01B5A19N

- *4-01B5A11B
- *A-01B5A06K
- *6-01B5A11K

- *5-01B5A16N
- *R-01B5A17N
- *H-01B5A21N

- *6-01B5A06J
- *C-01B5A11J
- *J-01B5A06M

723182

COMMENTS
 ADD C23 D23 B23 B24 C24 D24
 FOR PRINT EXPAND 132 POSITIONS.

TAG DATE E.C.NO. TAG DATE E.C.NO. TAG DATE E.C.NO. TAG DATE E.C.NO.
 A 01-24-61 1095010 B 12-10-62 116749A

↑T HAMMER DRIVE
U1 SET
36.38.21.2
↑T HAMMER DRIVE
U0 SET
36.38.21.2
↑T HAMMER DRIVE
RESET 67-130
36.37.41.2



V HAMMER 121
FIRE
*1-21.04.01.2
V HAMMER 121
RESPONSE
*2-42.40.52.2
V HAMMER 121
RESPONSE
*2-46.11.31.2
V HAMMER 120
RESPONSE
*3-42.40.52.2
V HAMMER 120
RESPONSE
*3-46.11.31.2
V HAMMER 120
FIRE
*4-22.04.01.2

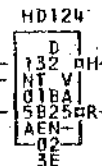
↑T HAMMER DRIVE
U2 SET
36.38.21.2
↑T HAMMER DRIVE
RESET 68-131
36.37.41.2



V HAMMER 122
RESPONSE
*5-46.11.31.2
V HAMMER 122
RESPONSE
*5-42.40.52.2
V HAMMER 123
FIRE
*6-21.04.01.2
V HAMMER 123
RESPONSE
*7-46.11.31.2
V HAMMER 123
RESPONSE
*7-42.40.52.2
V HAMMER 122
RESPONSE
*5-42.40.52.2
V HAMMER 122
FIRE
*8-22.04.01.2

↑T HAMMER DRIVE
U3 SET
36.38.21.2

-N HAMMER DRIVE
T12 SET
36.38.31.2
↑T HAMMER DRIVE
U4 SET
36.38.21.2



V HAMMER 124
RESPONSE
*9-46.11.31.2
V HAMMER 124
RESPONSE
*9-42.40.52.2
V HAMMER 125
FIRE
*A-21.04.01.2
V HAMMER 125
RESPONSE
*B-46.11.31.2
V HAMMER 125
RESPONSE
*B-42.40.52.2
V HAMMER 124
RESPONSE
*9-42.40.52.2
V HAMMER 124
FIRE
*C-22.04.01.2

↑T HAMMER DRIVE
U5 SET
36.38.21.2

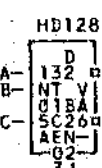
↑T HAMMER DRIVE
U6 SET
36.38.21.2
↑T HAMMER DRIVE
RESET 69-132
36.37.41.2



V HAMMER 126
RESPONSE
*4-46.11.31.2
V HAMMER 126
RESPONSE
*4-42.40.52.2
V HAMMER 127
FIRE
*D-21.04.01.2
V HAMMER 127
RESPONSE
*D-46.11.31.2
V HAMMER 127
RESPONSE
*D-42.40.52.2
V HAMMER 126
RESPONSE
*E-42.40.52.2
V HAMMER 126
FIRE
*F-22.04.01.2

↑T HAMMER DRIVE
U7 SET
36.38.21.2

↑T HAMMER DRIVE
U8 SET
36.38.21.2



V HAMMER 128
RESPONSE
*6-46.11.31.2
V HAMMER 128
RESPONSE
*6-42.40.52.2
V HAMMER 129
FIRE
*H-21.04.01.2
V HAMMER 129
RESPONSE
*J-46.11.31.2
V HAMMER 129
RESPONSE
*J-42.40.52.2
V HAMMER 128
FIRE
*K-22.04.01.2

↑T HAMMER DRIVE
U9 SET
36.38.21.2

*1-01B5A06N
*7-01B5A16P
*D-01B5A20P
*K-01B5A11R

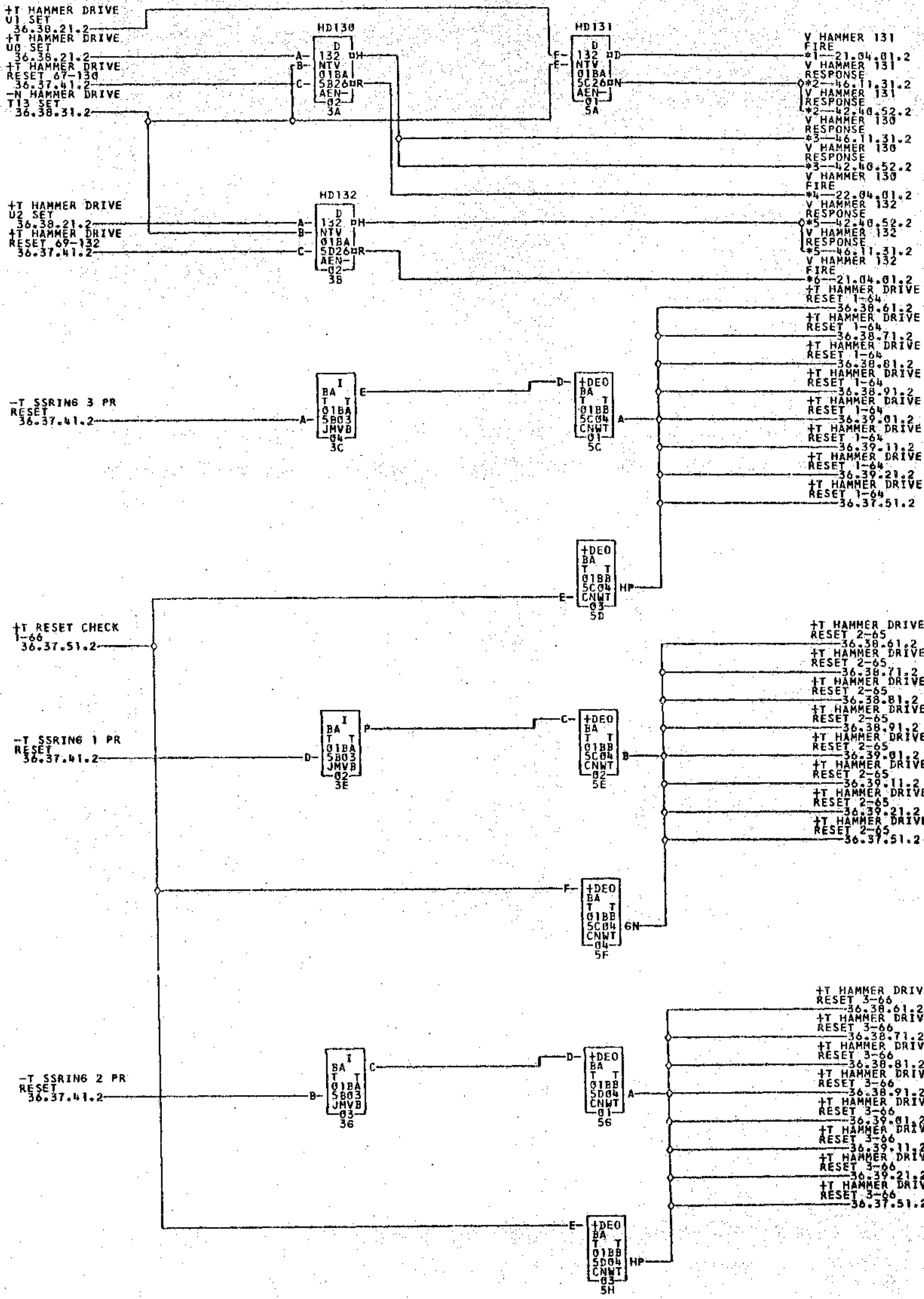
*2-01B5A14P
*0-01B5A11N
*E-01B5A19P

*3-01B5A20R
*9-01B5A17P
*F-01B5A11Q

*4-01B5A11M
*A-01B5A06O
*6-01B5A21P

*5-01B5A15P
*B-01B5A18P
*H-01B5A07A

*8-01B5A06P
*C-01B5A11P
*J-01B5A22P



A 15.2.62
TA 37699K
B 12.3.63
TA 1775

*1-01B5A07B

*2-01B5A140

*3-01B5A210

*4-01B5A12A

*5-01B5A150

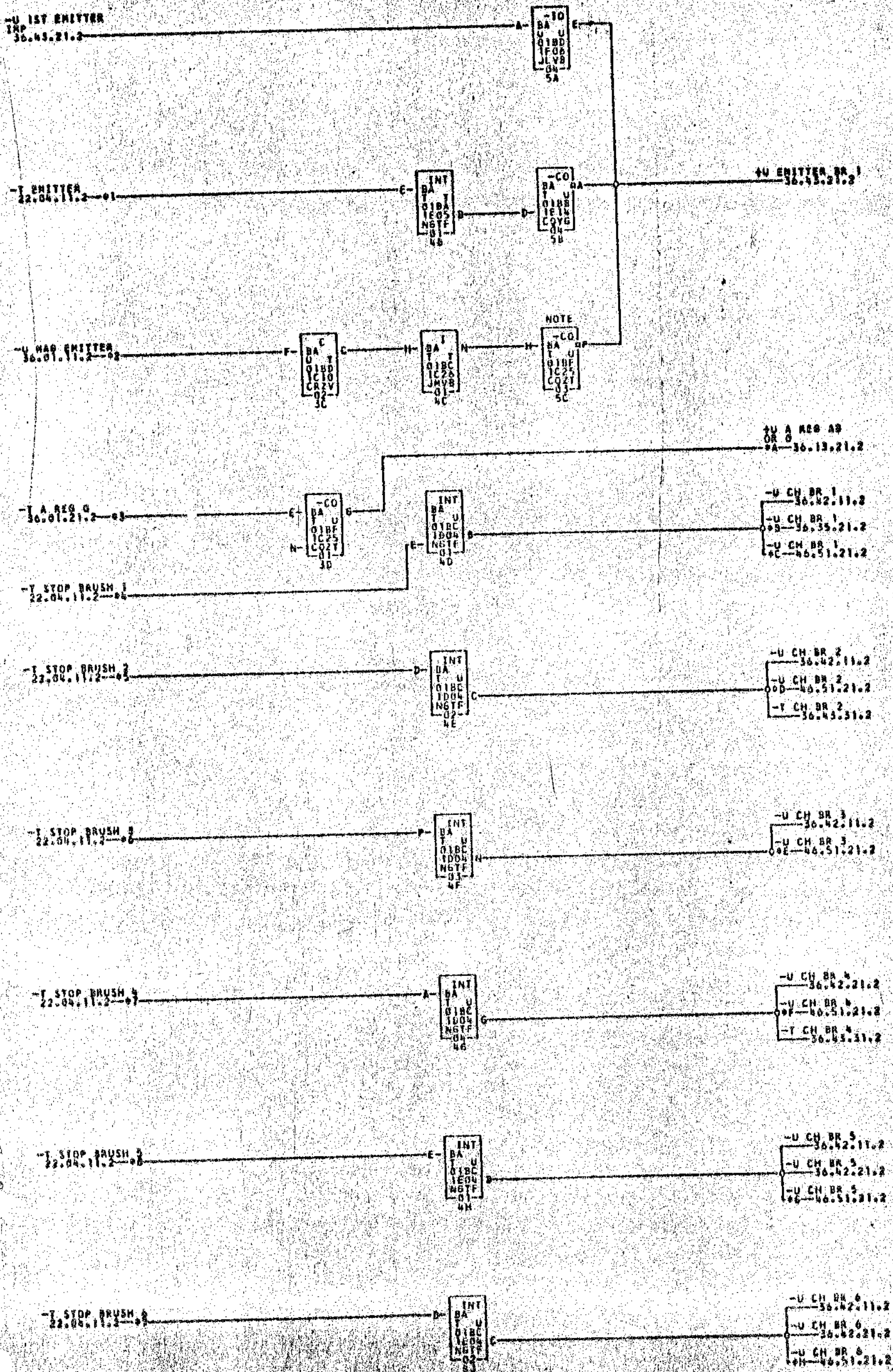
*6-01B5A12B

ADD B26 C26 D26
132 POSITIONS
COMMENTS FOR PRINT EXPAND

TAG DATE	E.C.NO.	TAG DATE	E.C.NO.	TAG DATE	E.C.NO.
A 01-24-61	1095010	B 12-10-62	116749A		

723184

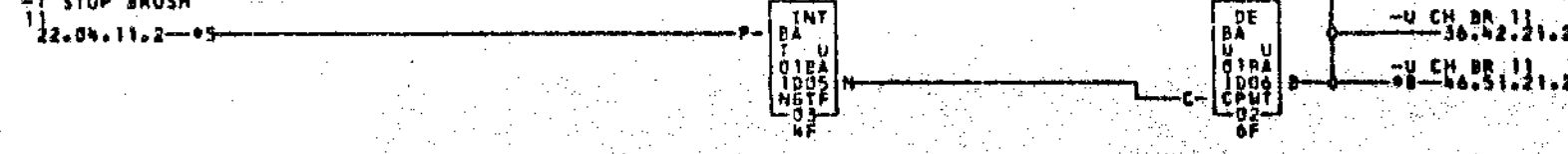
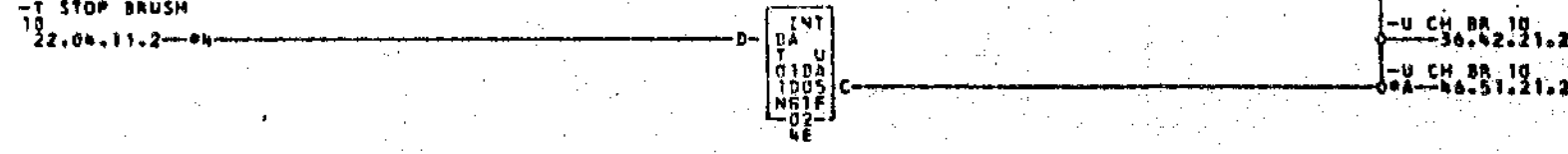
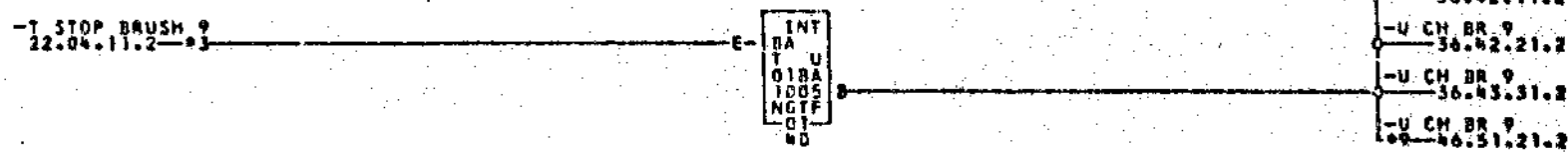
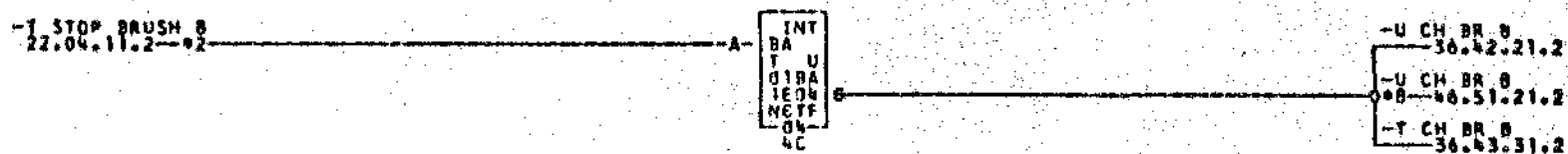
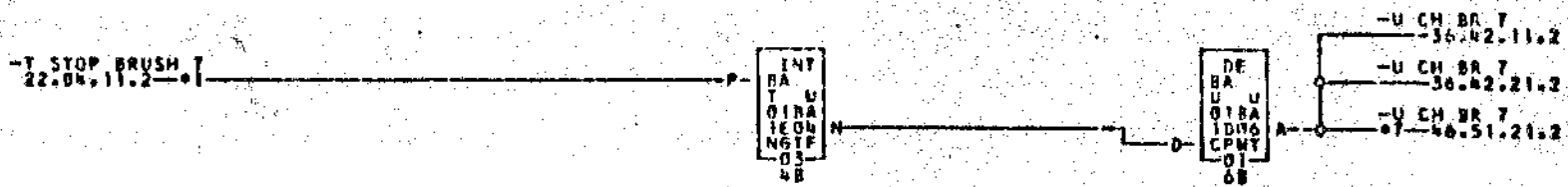
1859



NOTE-THIS CARD MUST BE PLUGGED IN THE MAGNETIC READER TO PRESENT ON THE 1859 ON TERA-PRINTED

ISS. NO. 11-2-35	DATE 11-2-35	ISS. NO. 11-1-67	DATE 11-1-67	ISS. NO. 18-6-39	DATE 18-6-39	ISS. NO. 1859	DATE 1859
------------------	--------------	------------------	--------------	------------------	--------------	---------------	-----------

1859



- *1-01B1E01J
- *2-01B1E01K
- *3-01B1E01L
- *4-01B1E01M
- *5-01B1E01N
- *6-01B1E01P
- *7-01B1E01Q
- *8-01B1E01R
- *9-01A5C236
- *10-01A5C237
- *11-01A5C238
- *12-01A5C239
- *13-01A5C240
- *14-01A5C241
- *15-01A5C242
- *16-01A5C243
- *17-01A5C244
- *18-01A5C245
- *19-01A5C246
- *20-01A5C247
- *21-01A5C248
- *22-01A5C249
- *23-01A5C250
- *24-01A5C251
- *25-01A5C252
- *26-01A5C253
- *27-01A5C254
- *28-01A5C255
- *29-01A5C256
- *30-01A5C257
- *31-01A5C258
- *32-01A5C259
- *33-01A5C260
- *34-01A5C261
- *35-01A5C262
- *36-01A5C263
- *37-01A5C264
- *38-01A5C265
- *39-01A5C266
- *40-01A5C267
- *41-01A5C268
- *42-01A5C269
- *43-01A5C270
- *44-01A5C271
- *45-01A5C272
- *46-01A5C273
- *47-01A5C274
- *48-01A5C275
- *49-01A5C276
- *50-01A5C277
- *51-01A5C278
- *52-01A5C279
- *53-01A5C280
- *54-01A5C281
- *55-01A5C282
- *56-01A5C283
- *57-01A5C284
- *58-01A5C285
- *59-01A5C286
- *60-01A5C287
- *61-01A5C288
- *62-01A5C289
- *63-01A5C290
- *64-01A5C291
- *65-01A5C292
- *66-01A5C293
- *67-01A5C294
- *68-01A5C295
- *69-01A5C296
- *70-01A5C297
- *71-01A5C298
- *72-01A5C299
- *73-01A5C300
- *74-01A5C301
- *75-01A5C302
- *76-01A5C303
- *77-01A5C304
- *78-01A5C305
- *79-01A5C306
- *80-01A5C307
- *81-01A5C308
- *82-01A5C309
- *83-01A5C310
- *84-01A5C311
- *85-01A5C312
- *86-01A5C313
- *87-01A5C314
- *88-01A5C315
- *89-01A5C316
- *90-01A5C317
- *91-01A5C318
- *92-01A5C319
- *93-01A5C320
- *94-01A5C321
- *95-01A5C322
- *96-01A5C323
- *97-01A5C324
- *98-01A5C325
- *99-01A5C326
- *100-01A5C327

COMMENTS

TAG DATE E.C.NO. TAG DATE E.C.NO. TAG DATE E.C.NO. TAG DATE E.C.NO.

A 12-04-61 112209C B 10-17-62 115169 C 01-14-63 116789

1815 A
 12/10/63

24624

CHANNEL BRUSH ENCODE 1 AND 2

1401 BA

36.42.11.2

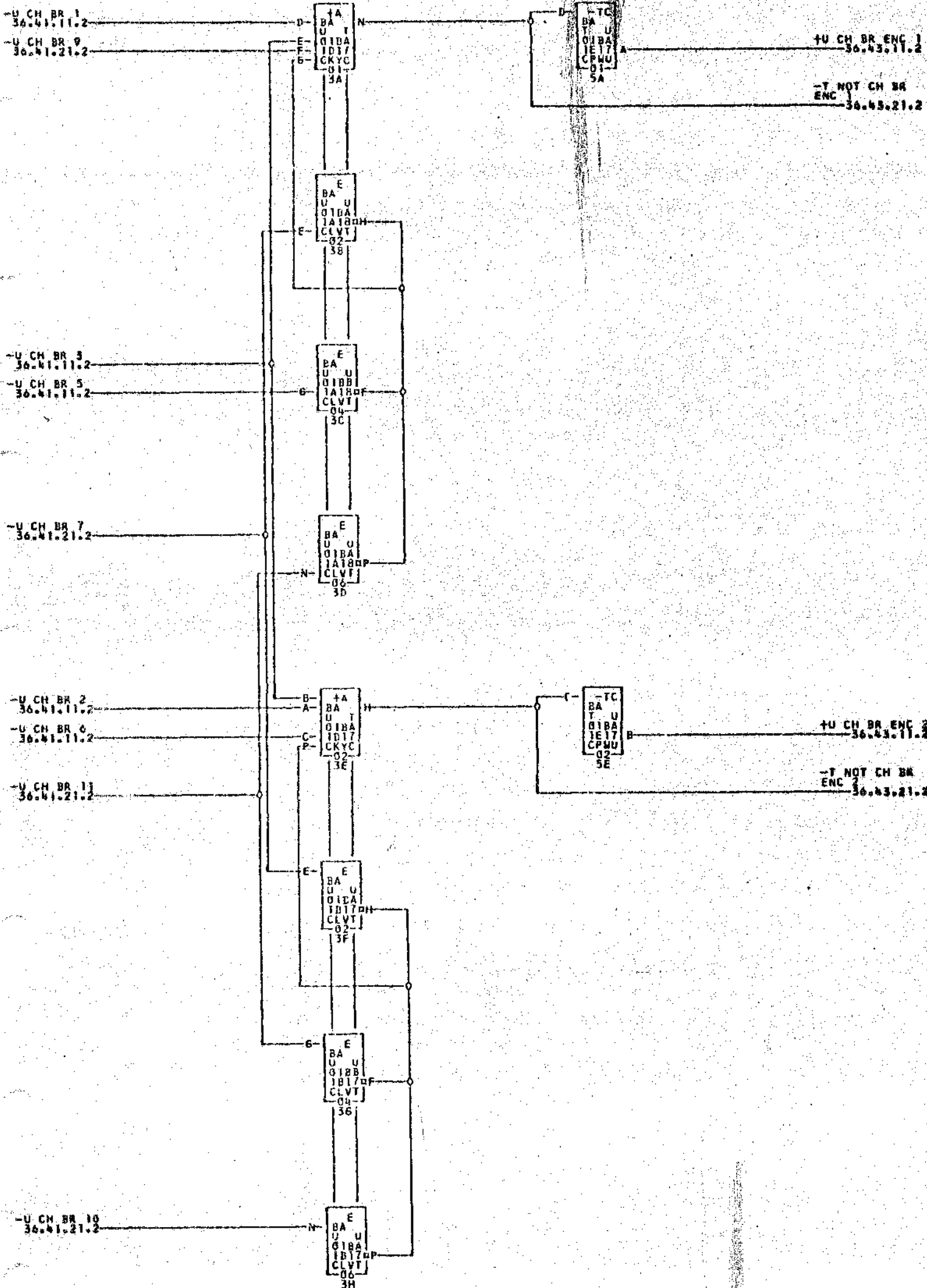
TAG DATE

A 28.5.62

TA 1344

B 16.4.63

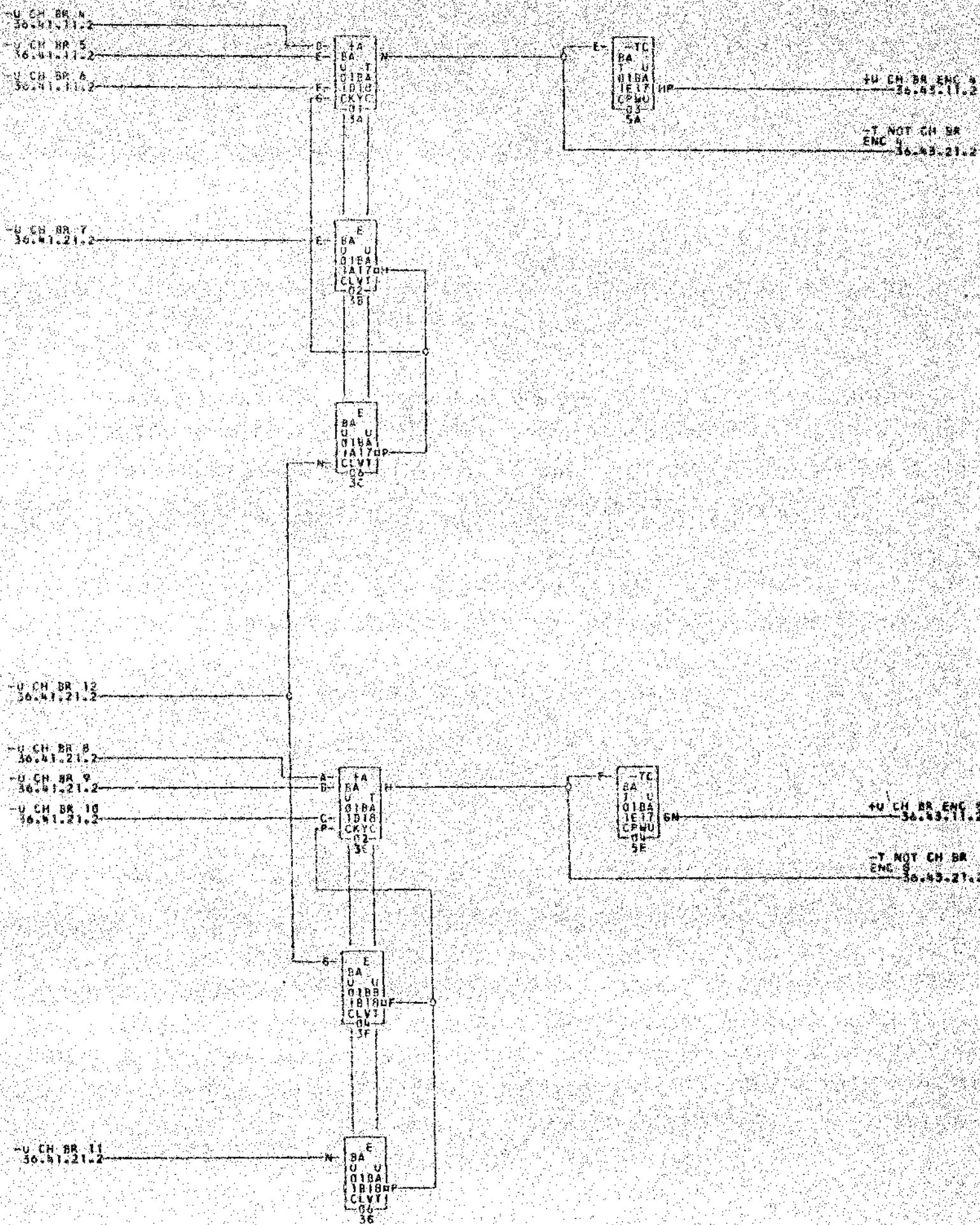
TA 1815A



2 1815 A 724624

COMMENTS

TAG DATE	E.C.NO.	TAG DATE	E.C.NO.	TAG DATE	E.C.NO.	TAG DATE	E.C.NO.
A 12-04-61	112269C	B 01-14-63	114789				



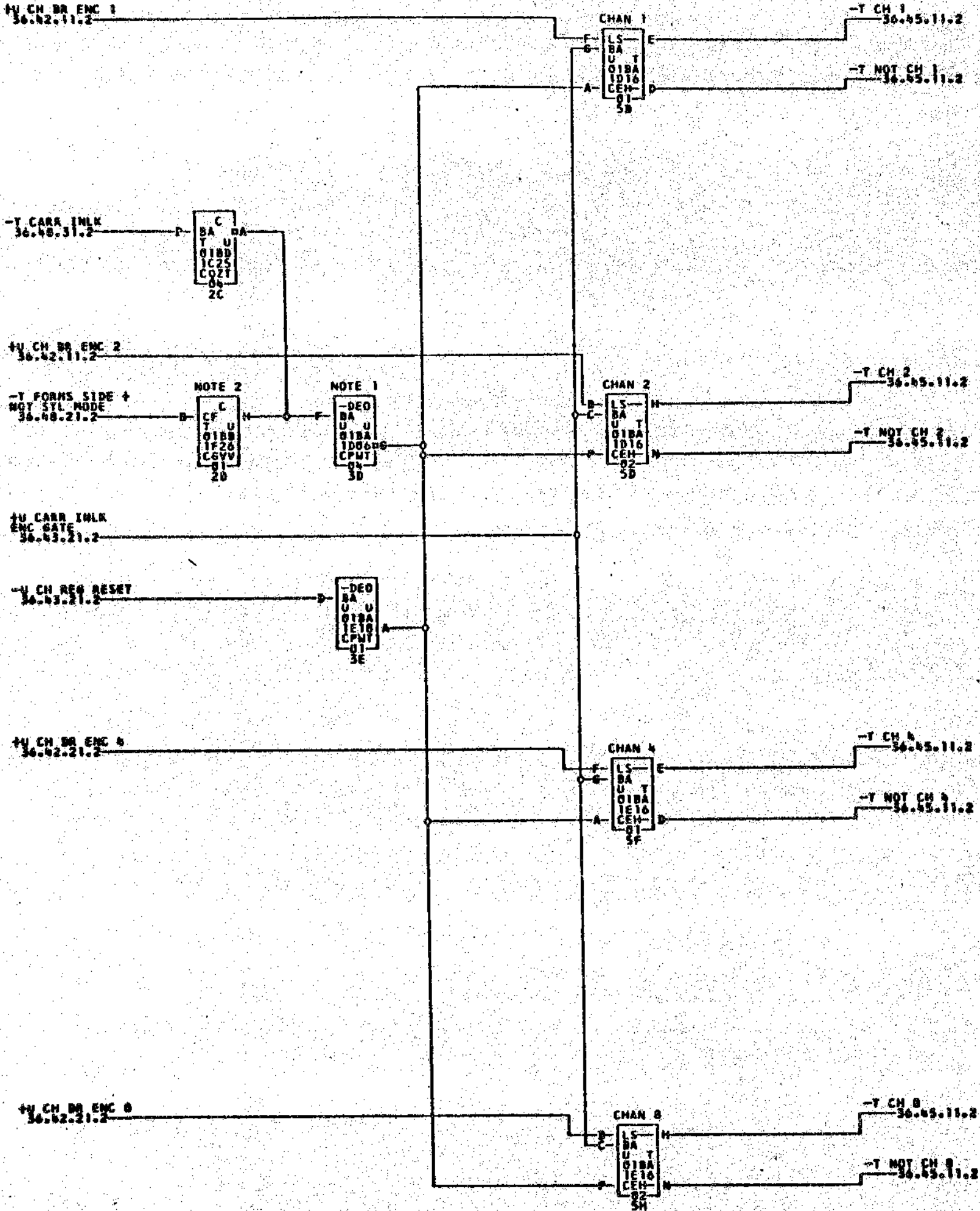
724825

C 18.4.61

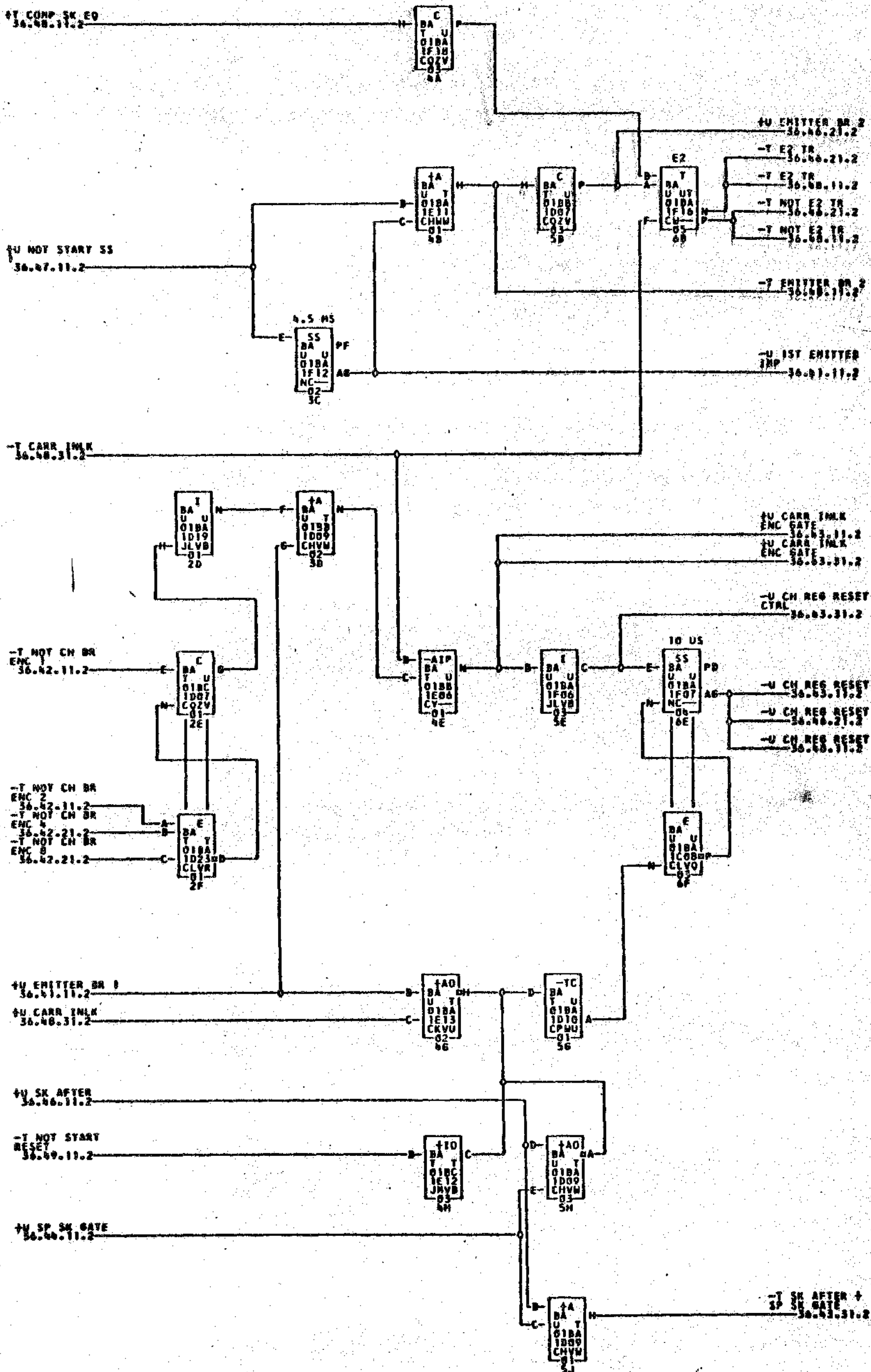
TA 1815A

D 18.6.63

TA 1859



724626



COMMENTS

TAG DATE E.C. NO. TAG DATE E.C. NO. TAG DATE E.C. NO. TAG DATE E.C. NO.

A 12-05-61 112249C B 06-05-62 114132A C 01-14-63 114789 D 02-08-63 115190

E 04-10-63 117470

724627

0724629

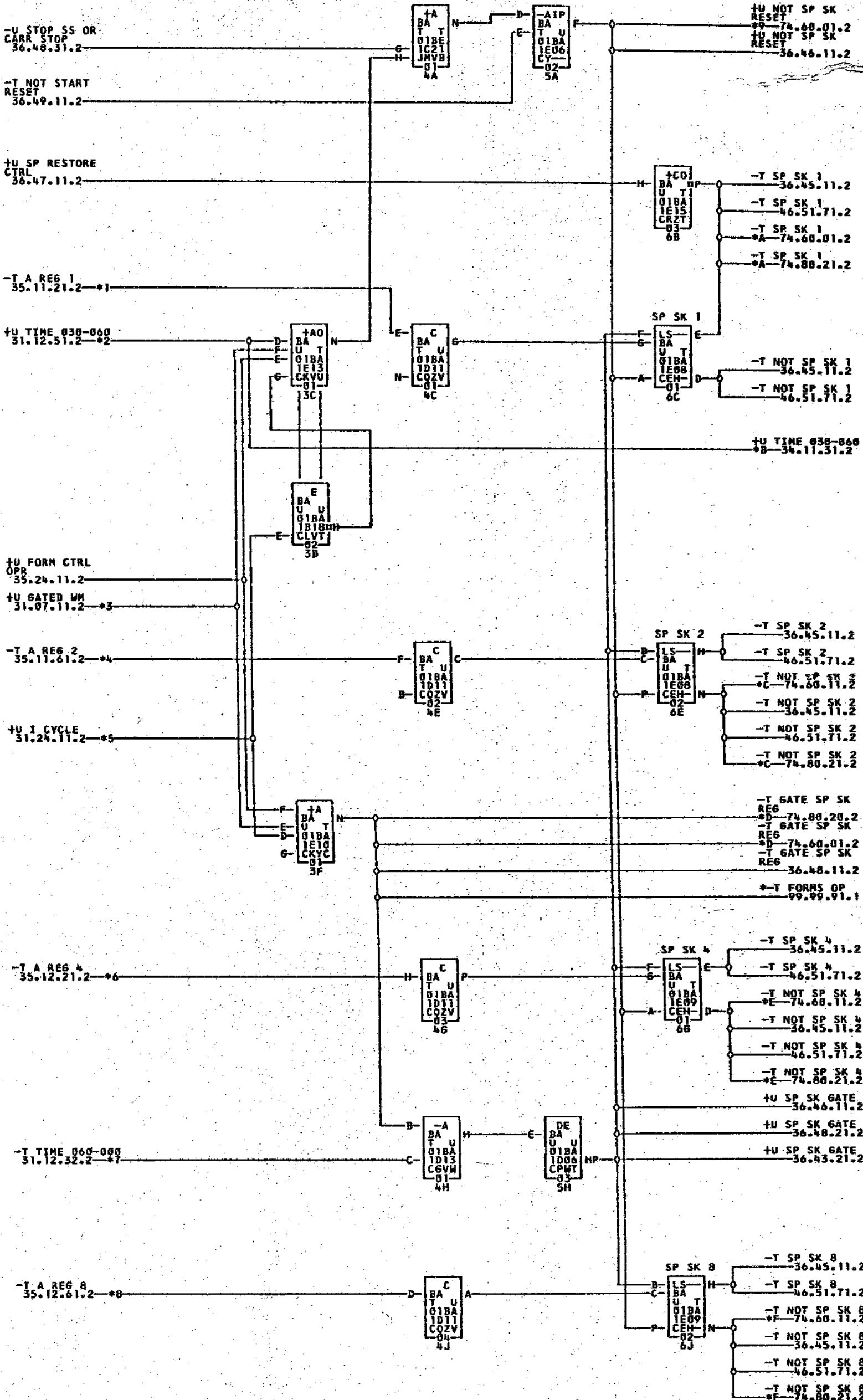
SPACE SKIP REGISTER

1401 BA 36.44.11.2

TAG DATE

F29.10.63
TA 1990A

TA 604A



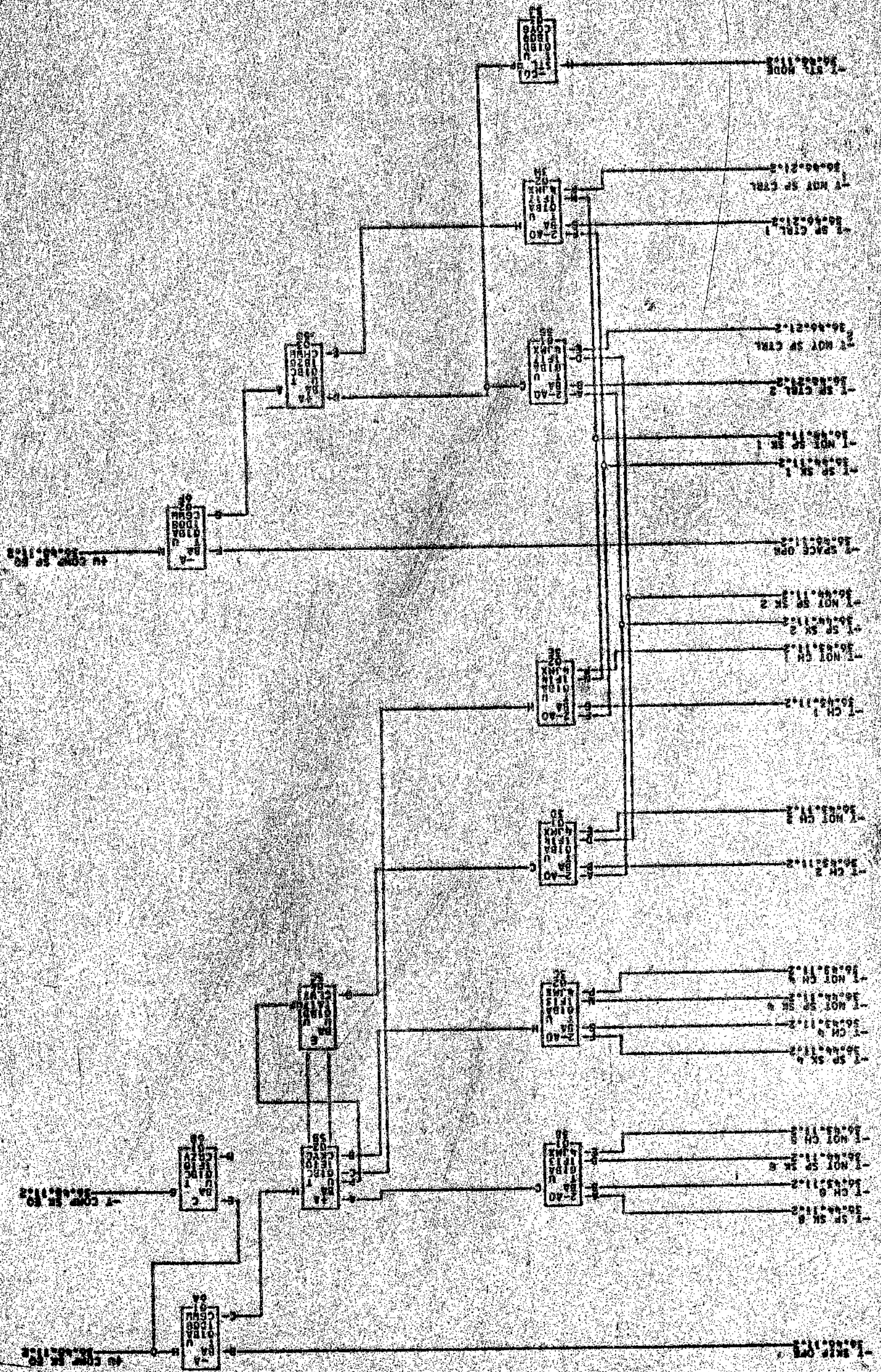
- *1-01B1B01M
- *2-01B1B03J
- *3-01B1B03K
- *4-01B1B01N
- *5-01B1D01H
- *6-01B1B01P
- *7-01B1B03D
- *8-01B1B01Q
- *9-01B1F026
- *A-02A9A17D
- *B-01B1F026
- *C-02B8D026
- *A-01B1F02H
- *D-02A9A19D
- *E-01B1A02C
- *F-01B1F02J
- *G-02A9A01E
- *H-02B8D01C
- *I-01B1F02K
- *J-02B8D02D
- *K-02A9A03E
- *L-02B8D02K
- *M-01B1F02L

724629

COMMENTS: SIGNALS PRECEDED BY AN ASTERISK INDICATE DIRECT CABLE EXPANSION.

TAG DATE	E.C.NO.	TAG DATE	E.C.NO.	TAG DATE	E.C.NO.	TAG DATE	E.C.NO.
A 12-04-61	112269C	B 01-25-62	113830A	C 06-05-62	114132A	D 07-26-62	116228
E 01-14-63	116789	F 08-02-63	117971	G 09-17-63	118575C		

06972L
15181



TAG DATE
C 28.9.58
TA 1344D
D 10.4.58
TA 1818A

SPACE SAVING CONCEPT EQUAL

0720058

9724031

CARRIAGE OPER REGISTER

1401 BA

36.46.11.2

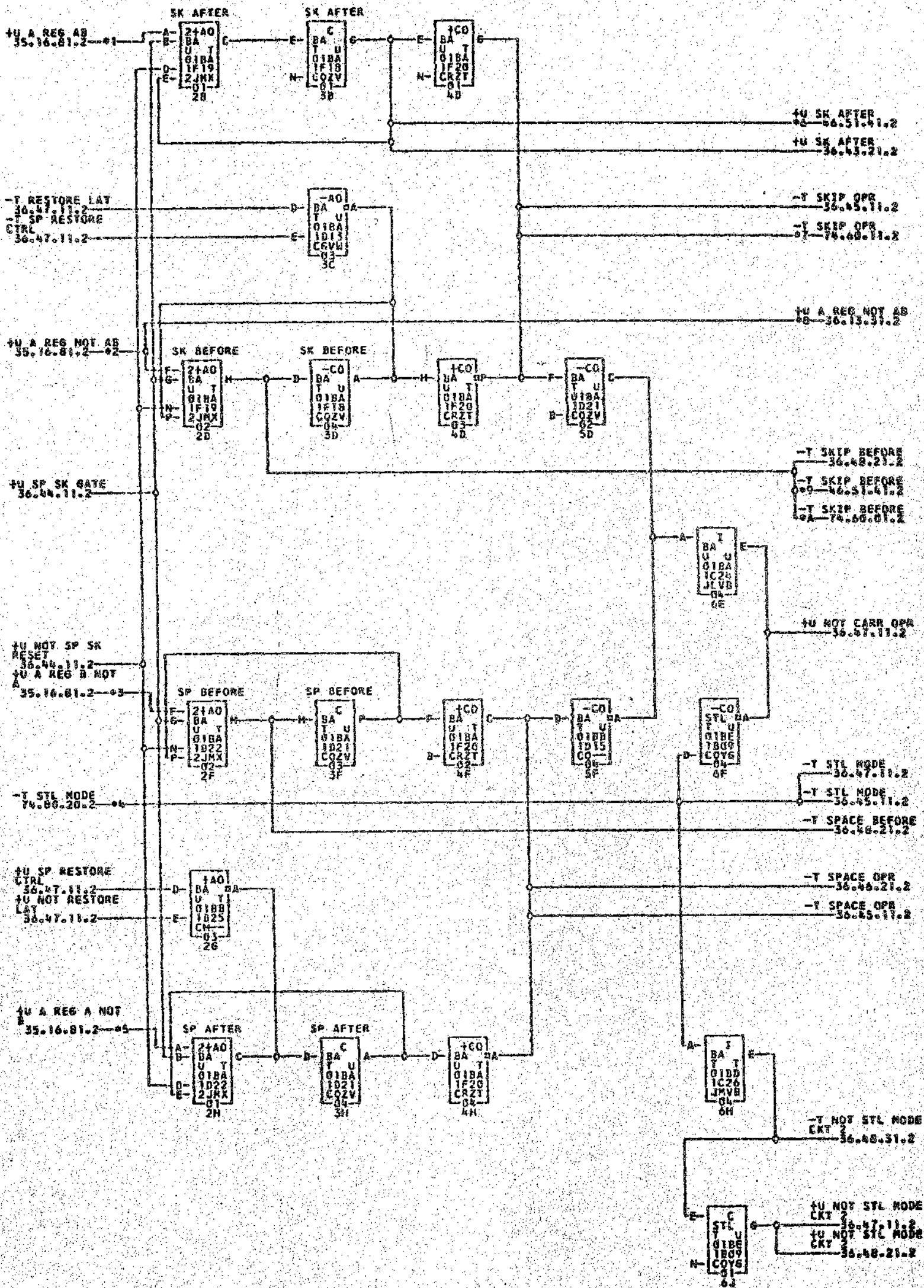
TAG DATE

D 9.1.63

TA 1896A

E 16.4.63

TA 1815A



- *1-01B1B01K
- *2-01B1B01L
- *3-01B1B01J
- *4-01B1B02G
- *5-01B1B02N
- *6-01B1B03M
- *7-01B1F02M
- *8-02A9A09D
- *9-02A9A02C
- *10-02B0B02M
- *11-01B1B02N
- *12-01B1B03L
- *13-01B1F02C

724631
 1815 A

COMMENTS

TAG DATE: 12-04-61 F.C. NO: 112209C
 TAG DATE: 06-05-62 F.C. NO: 116132A
 TAG DATE: 07-26-62 F.C. NO: 116228-
 TAG DATE: 10-17-62 F.C. NO: 116309

0724633

MANUAL CARRIAGE CTRL

1401 BA

36.47.11.2

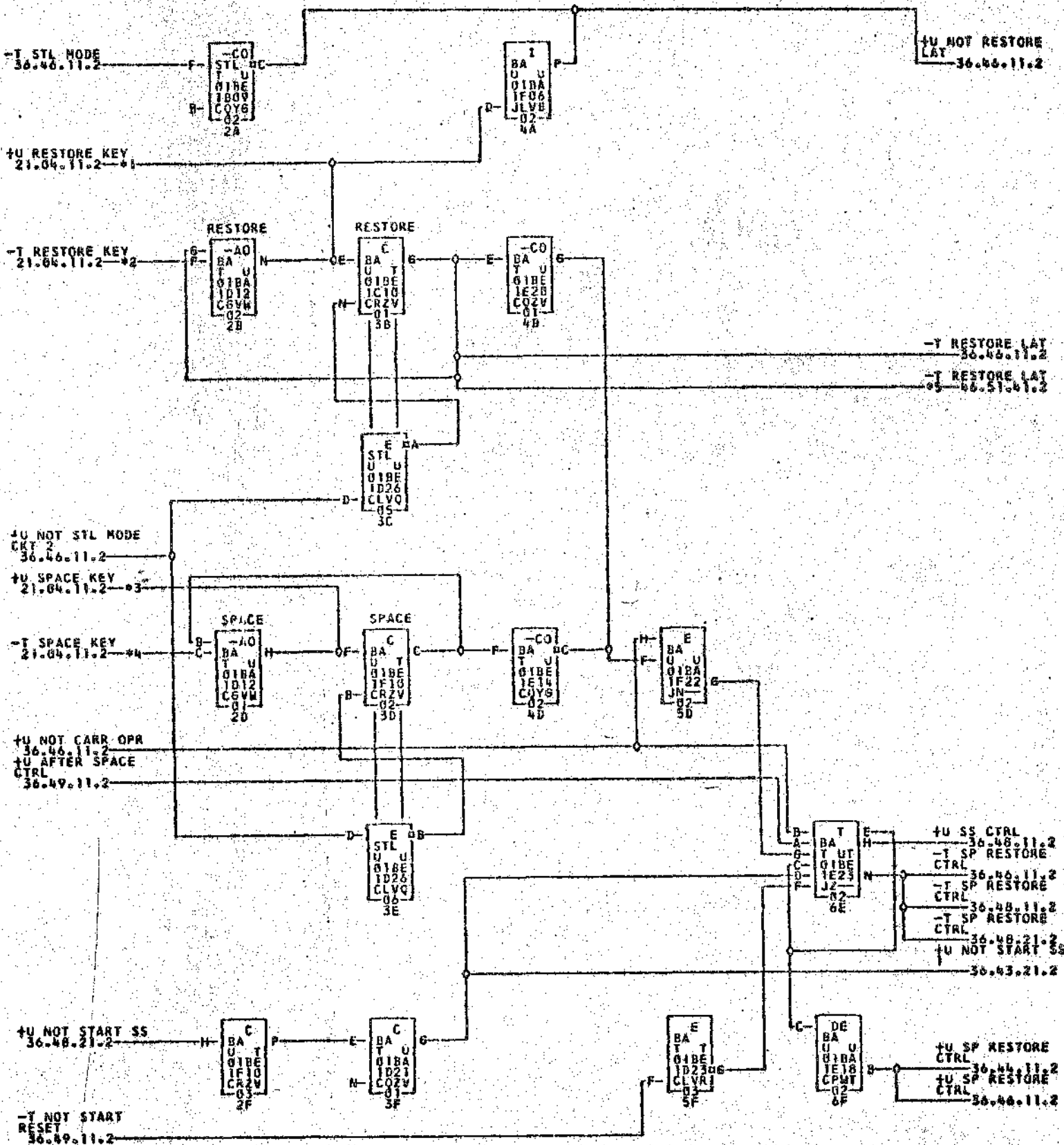
TAG DATE

DAW.11.82

TA 1620

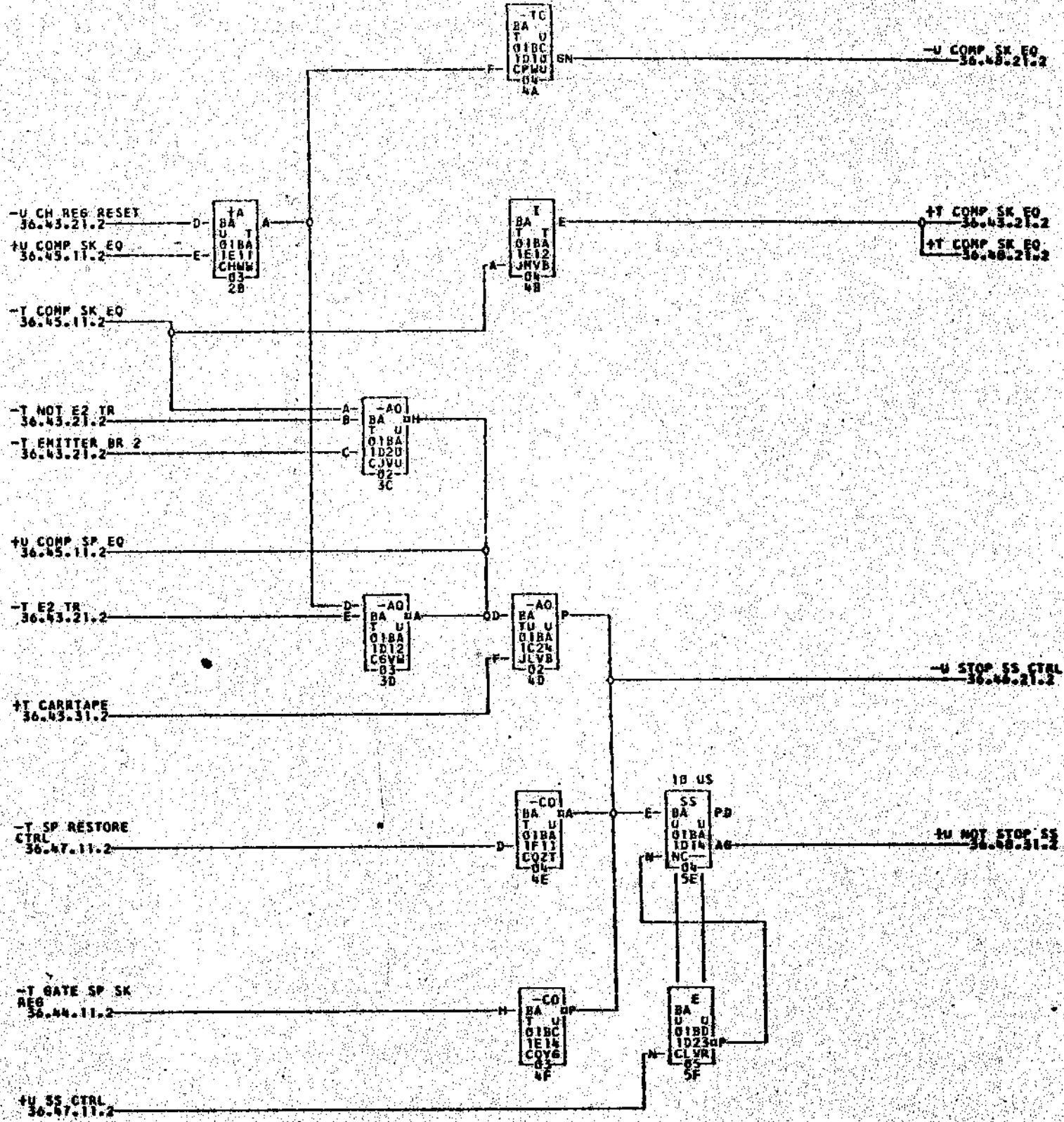
E16.4.83

TA 1815A



- *1-01B1F01A
- *2-01B1F01B
- *3-01B1F01C
- *4-01B1F01D
- *5-01B1D03J

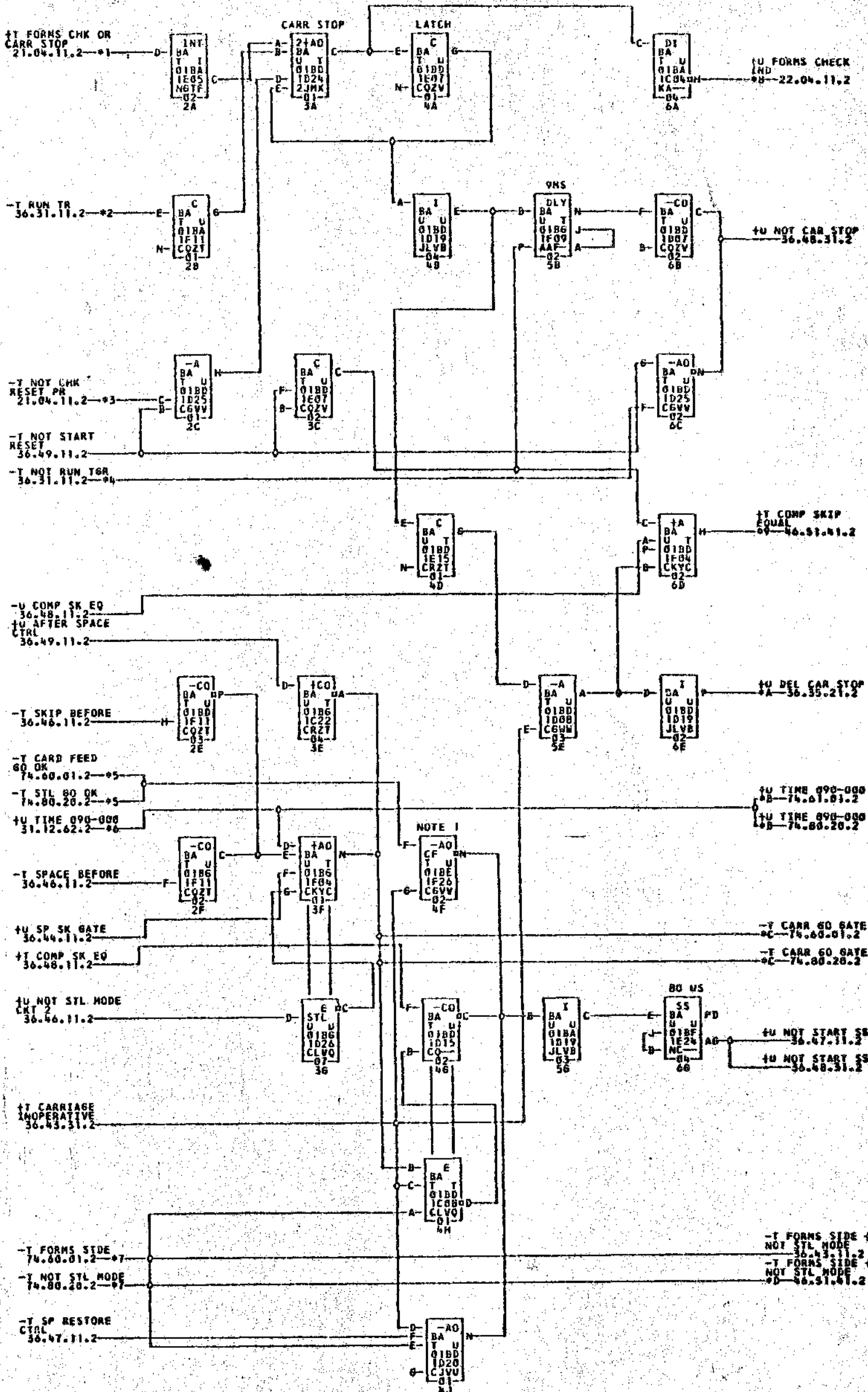
1815A
 724633



COMMENTS

TAG DATE	F.C. NO.	TAG DATE	F.C. NO.	TAG DATE	F.C. NO.	TAG DATE	F.C. NO.
A 12-04-61	112269C	B 02-22-62	114128A	C 04-05-62	114132A	D 01-10-63	116709

724634

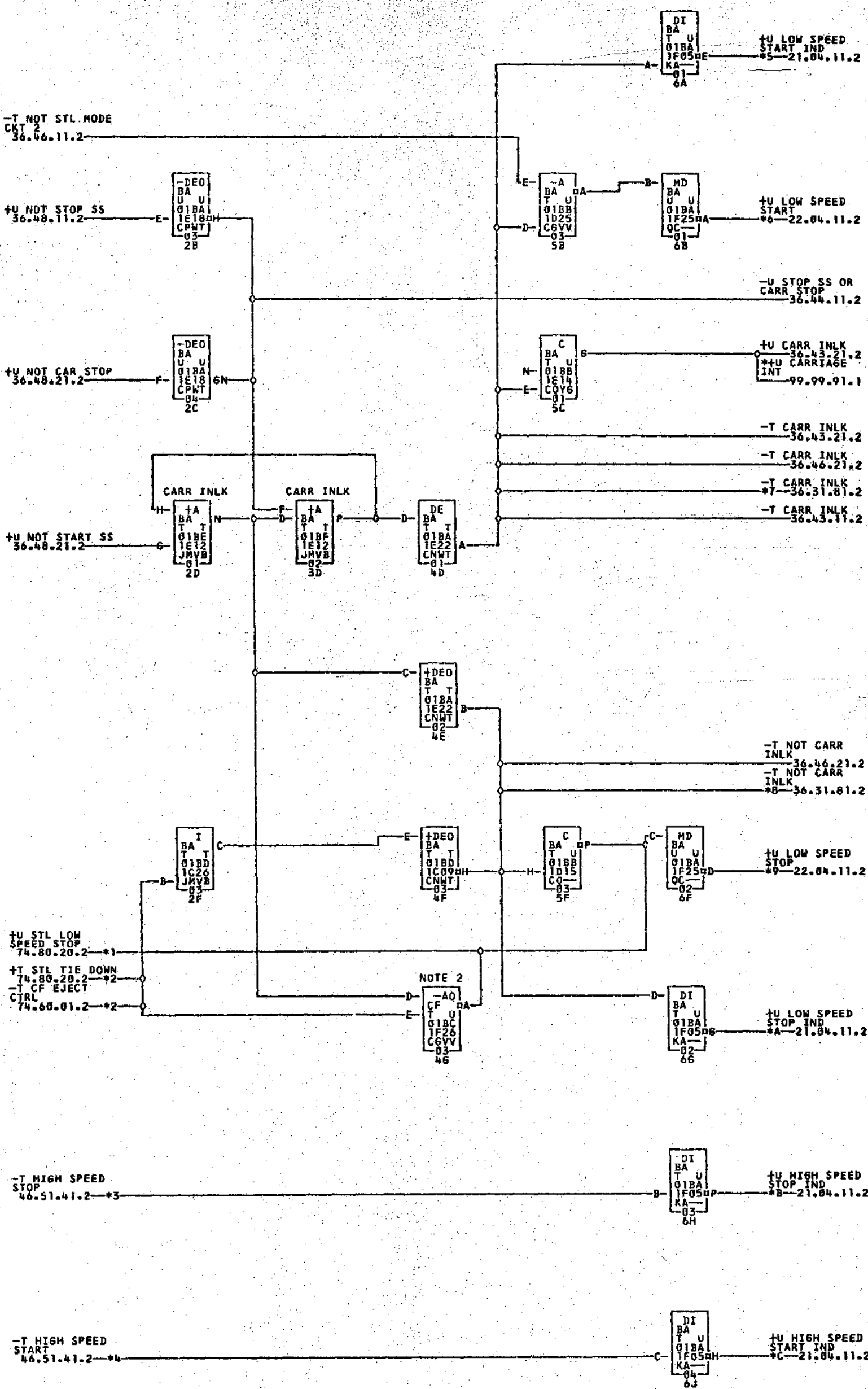


- *1-01B1F01P *2-01B1E03N *3-01B1E03F *4-01B1E03I *5-01B1F02P *6-01B1B03E
- *7-01B1F02N *8-01B1E03B *9-01B1D03K *A-01B1E03D *B-01B1D03P *C-01A5B25P
- *C-01B1F02E *D-02A9A15D *E-02B8D02E *F-01B1F03R *G-01A5C25R

NOTE 1-CARD MUST BE PLUGGED FOR BOTH CF AND STL FEATURES

TAG DATE F.C.NO. TAG DATE F.C.NO. TAG DATE F.C.NO. TAG DATE F.C.NO.
 A 12-04-61 112289C B 01-15-62 113530A C 02-22-62 114126A D 04-05-62 116132A
 E 01-26-62 116228 F 12-12-62 116778 G 01-14-63 117689

724635
1815 A



*1-01B1F02B
*7-01B1E03B

*2-01B1F02A
*8-01B1E03C

*3-01B1F03Q
*9-01B1E01R

*4-01B1F03N
*A-01B1F01F

*5-01B1F01H
*B-01B1F01G

*6-01B1E01Q
*C-01B1F01N

NOTE 2-CARD MUST BE PLUGGED FOR BOTH CF AND STL FEATURES SIGNALS PRECEDED BY AN ASTERISK INDICATE DIRECT CABLE EXPANSION.

TAG DATE E.C.NO. A 12-04-61 112269C E 01-14-63 116789

TAG DATE E.C.NO. B 06-05-62 114132A F 03-14-63 117231

TAG DATE E.C.NO. C 07-26-62 116228 G 09-17-63 118575C

TAG DATE E.C.NO. D 10-17-62 116369

724636

-T TIME 030-040
31.12.12.2 *1

-T TIME 030-040
35.28.31.2

-T NOT I RING
OP
31.31.31.2 *2

-T NOT I RING
OP
35.21.11.2
-T NOT I RING
OP
35.28.31.2

-T NOT START
RESET
37.30.31.2 *3

-T NOT START
RESET
35.21.11.2
-T NOT START
RESET
35.28.31.2
-T NOT START
RESET
36.43.21.2
-T NOT START
RESET
36.44.11.2
-T NOT START
RESET
36.47.11.2
-T NOT START
RESET
36.48.21.2
-T NOT START
RESET
31.31.31.2
+U AFTER SPACE
CTRL
36.47.11.2
+U AFTER SPACE
CTRL
36.48.21.2
+U AFTER SPACE
CTRL
36.49.21.2

+U AFTER SPACE
CTRL
36.31.71.2 *4

*1-01B1D03C

*2-01B1A02K

*3-01B1A61L

*4-01B1E03A

*5-01B1D030

01A5B250

COMMENTS

TAG DATE E.C.NO. TAG DATE E.C.NO. TAG DATE E.C.NO. TAG DATE E.C.NO.
A 12-04-61 112269C B 07-26-62 116228 C 01-14-63 116789

A 1815 A
724637

8724638

FEED THROUGH SHEET

1401 BA

30.49.21.2

TAG DATE

-T BRANCH
34.21.11.2 -91

-T BRANCH
46.11.11.2

D 7.2.69

TA 1735A

IU TRANSFER B
REG
33.18.11.2 -92

IU TRANSFER B
REG
45.38.11.2

E 16.4.69

TA 1815A

-T WH OR C BIT
39.10.21.2 -93

-T WH OR C BIT
40.51.21.2

IU AFTER SPACE
CTRL
30.49.11.2

IU AFTER SPACE
CTRL
46.51.11.2

IU CLOCK CONT.
RAMC
15.01.05.2 -94

IU CLOCK CONT.
RAMC
34.31.01.2

IU TIME 000-030
31.12.51.2 -95

IU TIME 000-030
47.31.21.2

-T TIME 000-040
31.12.51.2 -96

-T TIME 000-040
41.50.11.2

-T STORE CYCLE
2 ADDER CARRY
41.50.21.2 -97

-T STORE CYCLE
2 ADDER CARRY
41.50.11.2

-T NOT INO A
INDEX BLOCK
11.30.21.2 -98

-T NOT INO A
INDEX BLOCK
41.50.11.2

IU BLOCK D P
TURN ON
36.31.01.2 -99

IU BLOCK D P
TURN ON
31.02.11.2

IU ADDR STOP
COMP SYNC
52.48.31.2 -98

IU ADDR STOP
COMP SYNC
75.01.03.2

-T DELTA B IO
31.02.31.2 -98

-T DELTA B IO
41.50.11.2

-T BLK R-P
OVLV MODE
37.31.11.2 -98

-T BLK R-P
OVLV MODE
45.11.01.2

-T BLK Y11-0
OVLV MODE
37.31.11.2 -98

-T BLK Y11-0
OVLV MODE
47.11.01.2



COMMENTS

DATE 11-11-69 1401 BA 30.49.21.2 TAG DATE

724638

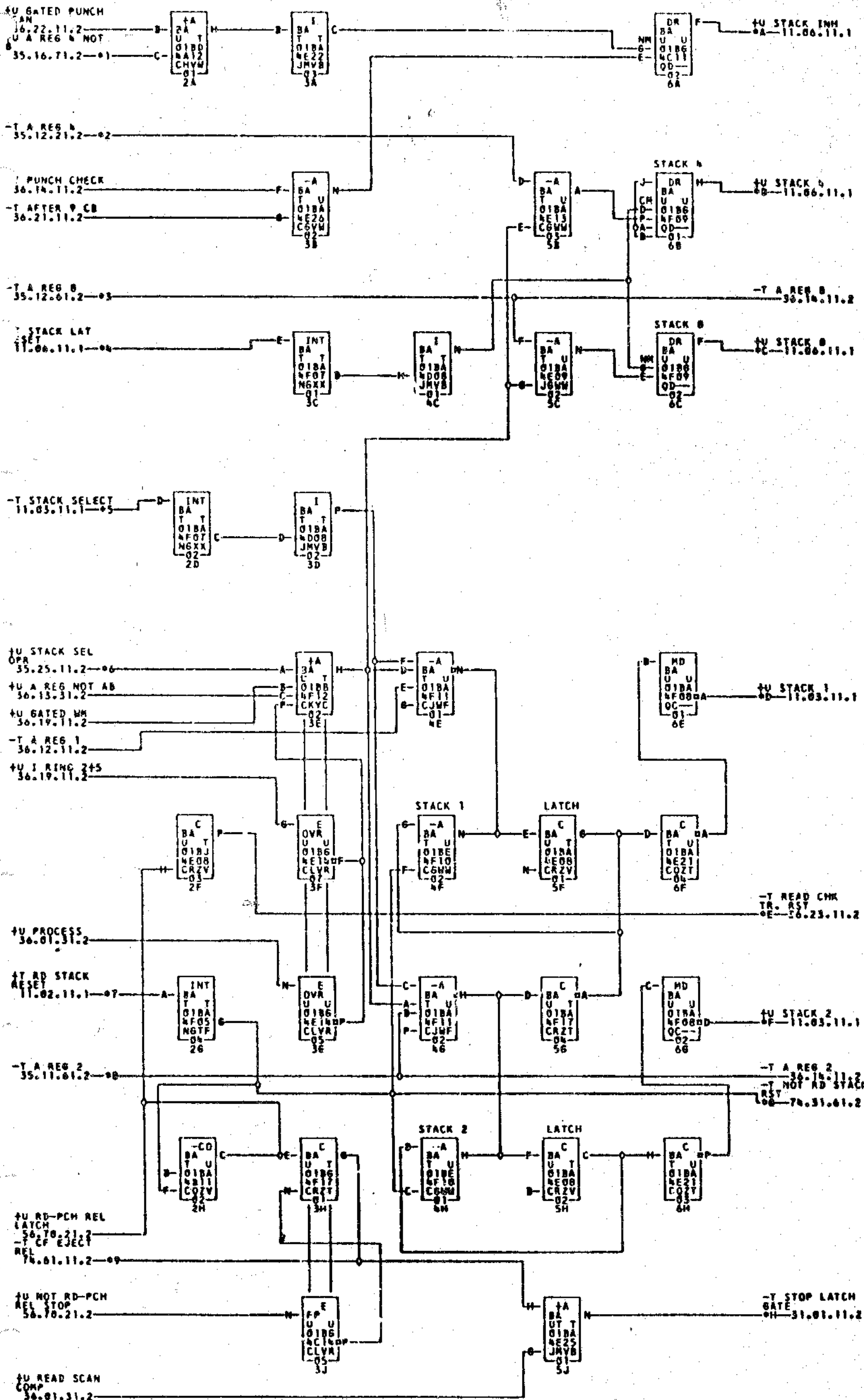
N 1815 A

H 18.6.63

TA 1859

J 12.7.63

TA 1859K



- *1-01B4E26
- *2-01B4E07C
- *3-01B4E03D
- *4-01B4D01H
- *5-01B4C01P
- *6-01B4D03F
- *7-01B4C01E
- *8-01B4E01B
- *9-01B4E04H
- *A-01B4D02D
- *B-01B4D02B
- *C-01B4C02A
- *D-01B4C036
- *E-01B4C040
- *F-01B4C02H
- *G-01B4C024
- *H-01B4D01P
- *I-01B4E04P
- *J-01B4E04H
- *K-01B4E04H
- *L-01B4E04H
- *M-01B4E04H
- *N-01B4E04H
- *O-01B4E04H
- *P-01B4E04H
- *Q-01B4E04H
- *R-01B4E04H
- *S-01B4E04H
- *T-01B4E04H
- *U-01B4E04H
- *V-01B4E04H
- *W-01B4E04H
- *X-01B4E04H
- *Y-01B4E04H
- *Z-01B4E04H

724664