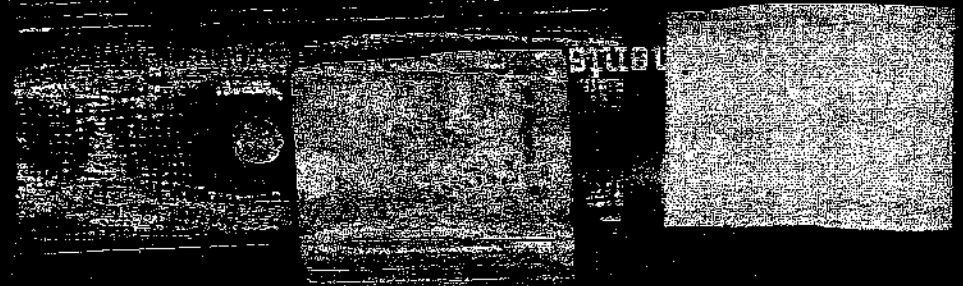


1101 40-28421 2073/866  
36 - 41



IBM

-T MANUAL ENTRY  
31.03.11.2--01

-T MANUAL ENTRY  
35.11.11.2

-T MANUAL ENTRY  
35.11.31.2

-T MANUAL ENTRY  
35.12.11.2

-T MANUAL ENTRY  
35.12.51.2

-T MANUAL ENTRY  
35.13.11.2

-T MANUAL ENTRY  
35.13.51.2

-T MANUAL ENTRY  
35.14.11.2

-T MANUAL ENTRY  
35.16.51.2

-T MANUAL ENTRY  
35.17.11.2

+U MANUAL ENTRY  
35.17.11.2



+U NOT BLOCK  
OPR AND B CYCLE  
31.03.21.2--02

+U NOT BLOCK  
OPR AND B CYCLE  
35.10.01.2

+U NOT BLOCK  
OPR AND B CYCLE  
35.10.51.2

+U NOT BLOCK  
OPR AND B CYCLE  
35.15.11.2

+U NOT BLOCK  
OPR AND B CYCLE  
35.10.31.2

+U NOT BLOCK  
OPR AND B CYCLE  
35.10.31.2

+U NOT BLOCK  
OPR AND B CYCLE  
35.10.31.2

+U PROCESS  
CHECK  
31.09.11.2--03

+U PROCESS  
CHECK  
0F--37.03.21.2

-T NOT RCMP  
34.31.17.2--04

-T NOT RCMP  
35.10.51.2

-T NOT RCMP  
35.10.51.2

-T NOT RCMP  
35.10.61.2

-T B CYCLE  
31.26.11.2--05

-T B CYCLE  
35.10.51.2

-T B CYCLE  
35.15.11.2

-T B CYCLE  
35.10.61.2

-T B CYCLE  
35.10.31.2

-T BLOCK STROBE  
A  
76.11.01.2--06

-T BLOCK STROBE  
A  
06--31.12.93.2

-T BLOCK STROBE  
B  
76.11.01.2--07

-T BLOCK STROBE  
B  
0H--42.67.01.2

+U START RESET  
37.30.31.2--08

+U START RESET  
0J--31.10.11.2

+T POWER ON  
RESET  
37.30.41.2--09

+T POWER ON  
RESET  
0K--76.11.01.2

-U ACTIVATE  
STORAGE  
31.02.41.2--0A

-U ACTIVATE  
STORAGE  
0L--42.57.11.2

-T ALLOW B REG  
CHECK  
35.30.21.2--0B

-T ALLOW B REG  
CHECK  
0M--77.60.31.2

-T NOT INQ A  
INDEX BLOCK  
77.30.21.2--0C

-T NOT INQ A  
INDEX BLOCK  
0N--36.49.21.2

+U CF + STL  
BLOCK START LAT  
46.51.41.2--0D

+U CF + STL  
BLOCK START LAT  
0P--31.01.11.2

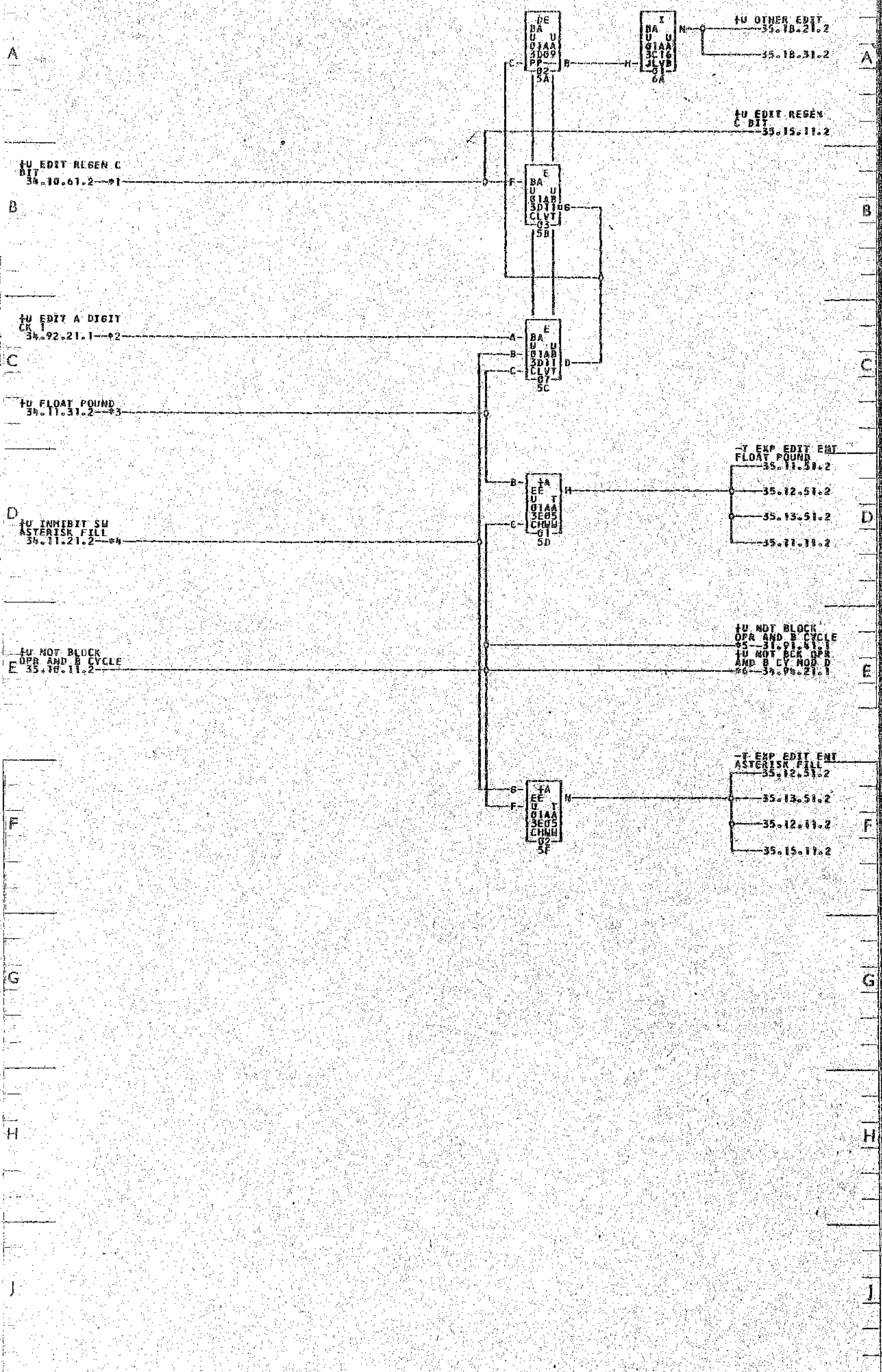
+U TFI-O OVL  
MODE DISPL  
74.21.01.2--0E

+U TFI-O OVL  
MODE DISPL  
0Q--37.30.12.2

- \*1--01A3D26C
- \*2--01A3D25R
- \*3--01A3D24B
- \*4--01A3C29Q
- \*5--01A3D24P
- \*6--01A3A27P
- \*7--01A3A22Q
- \*8--01A3D24N
- \*9--01A3F20J
- \*A--01A3D25I
- \*B--01A3A25I
- \*C--01A3A25I
- \*D--01A3E24M
- \*E--01A3F20J
- \*F--01A3F20Q
- \*G--01A3C26E
- \*H--01A3E24M
- \*I--01A3F20J
- \*J--01A3C26E
- \*K--01A3A22H
- \*L--01A1F01K
- \*M--01A3C26E
- \*N--01A3B24R
- \*O--01B1D02R
- \*P--01A3D25Q
- \*Q--01B2D04Q
- \*R--01A3E26R
- \*S--01A0F15A
- \*T--02R6C03N

720721

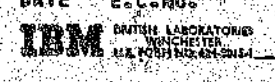
COMMENTS	TAG DATE	F.C. NO.	TAG DATE	F.C. NO.	TAG DATE	F.C. NO.	TAG DATE	F.C. NO.
	A	12-15-61	B	01-29-62	C	02-12-62	D	03-23-62
	E	12-10-62						



0789973

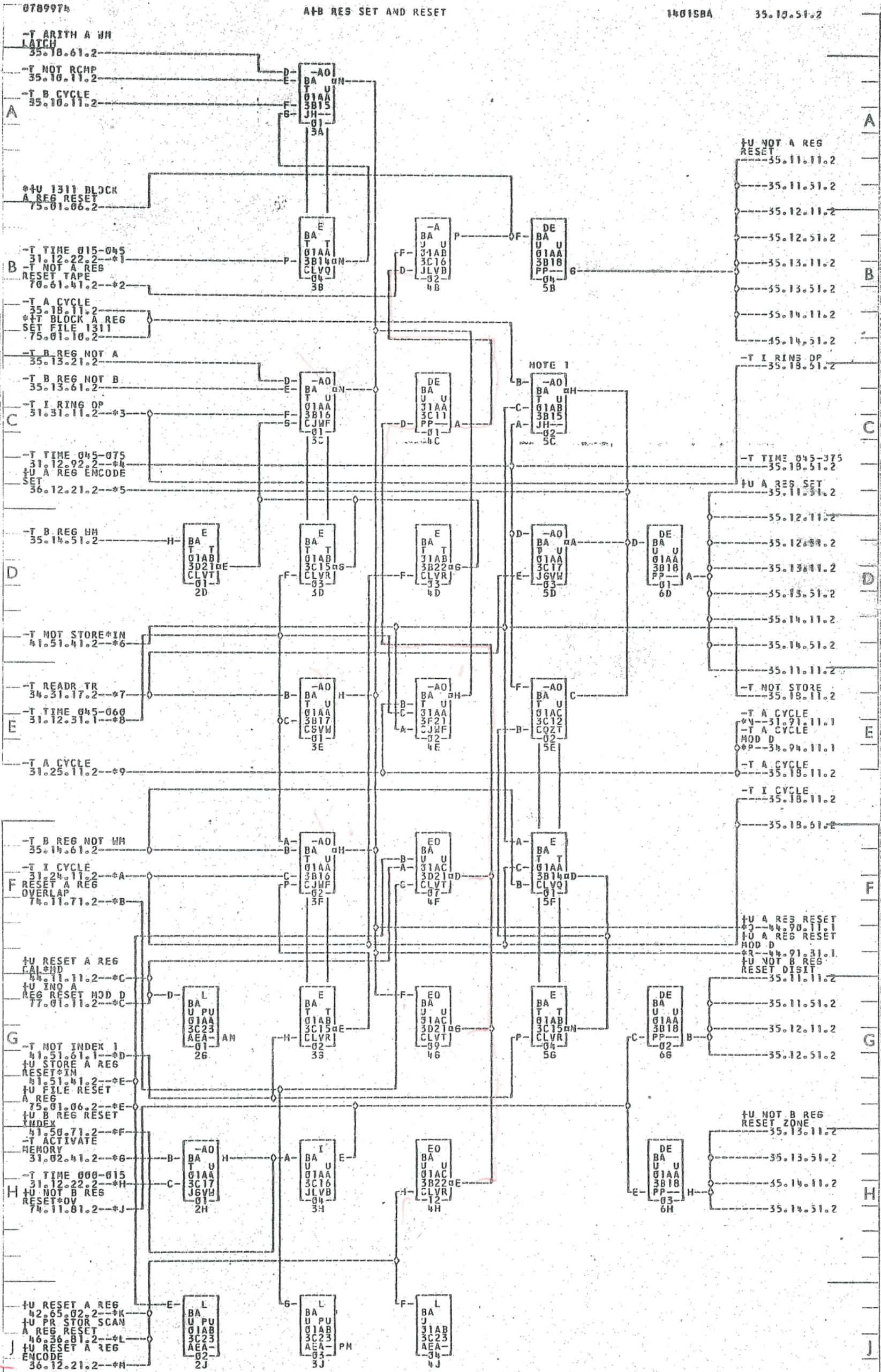
- \*1--01A3B26E
- \*2--01A3B23M
- \*3--01A3B266
- \*4--01A3B26H
- \*5--01A3B256
- 02890016

COMMENTS	TAS DATE	E.C.NO.	TAS DATE	E.C.NO.	TAS DATE	E.C.NO.	TAS DATE	E.C.NO.
	A 04-02-63	TA1007	B 04-11-63	TA1007B	C 01-14-64	TA1008		



A+B RES SET AND RESET

14015BA 35.10.51.2



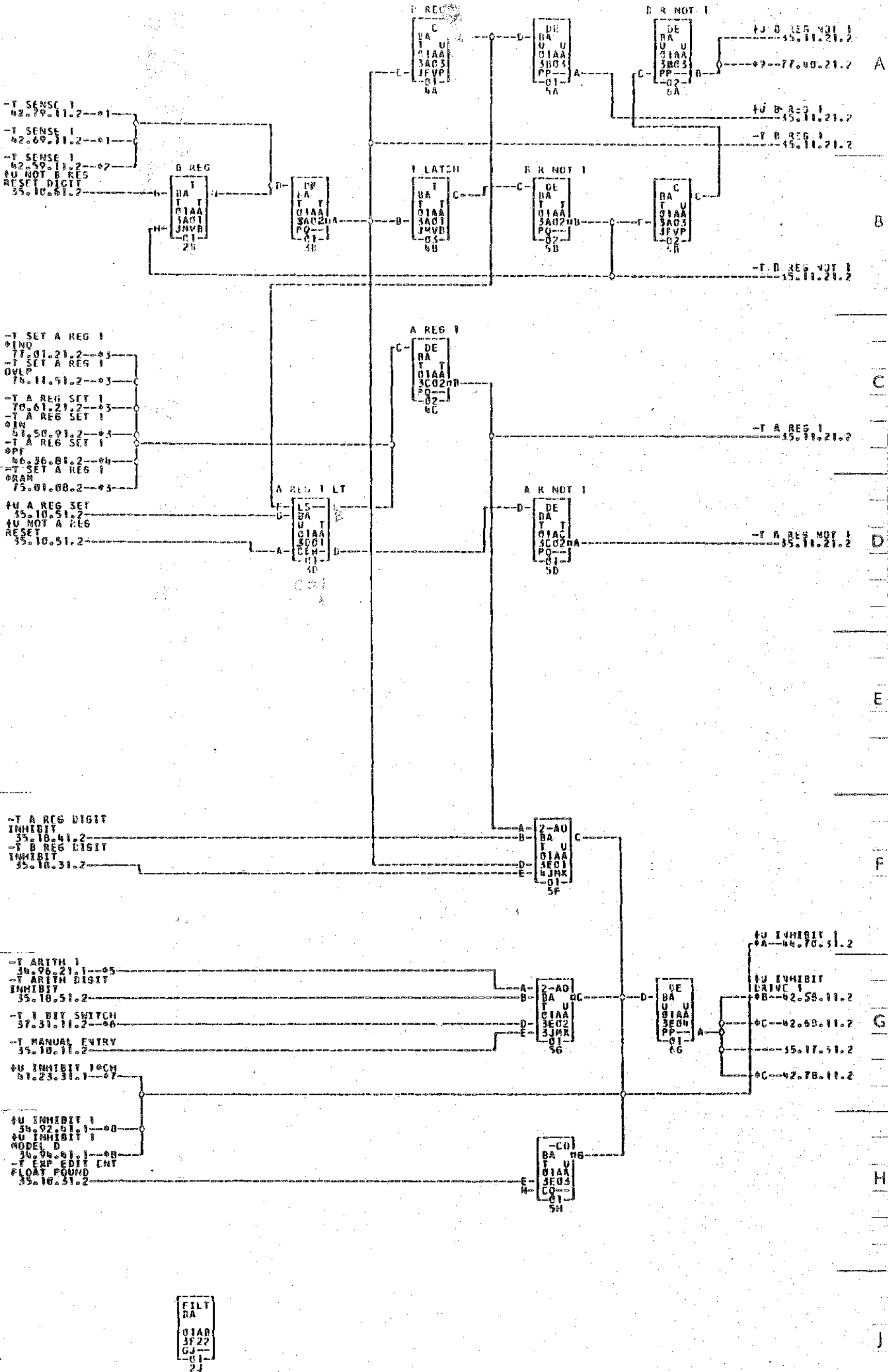
- \*1-01A3C266
- \*2-01A3C24E
- \*3-01A3D25E
- \*4-01A3B250
- \*5-01A3A23H
- \*6-01A3F23P
- \*7-01A3C25K
- \*8-01A3B25N
- \*9-01A3D24C
- \*A-01A3A26H
- \*B-01A3A22E
- \*C-01A3E23A
- \*D-01A3F23K
- \*E-01A3F23J
- \*F-01A3F23L
- \*G-01A3A26J
- \*H-01A3B25M
- \*I-01A3E25N
- \*J-01A3A22J
- \*K-01A3F25L
- \*L-01A3E25N
- \*M-01A3A23B
- \*N-01A3B23B
- \*O-01A3B23C
- \*P-01A3B23B
- \*Q-01A3B23C
- \*R-01A3F21H
- \*S-02B8D01C
- \*T-02B8D01C
- \*U-DIRECT

NOTE 1 A CYCLE SIGNAL IS REMOVED WITH 1311 FEATURE ATTACHED  
 NOTE ASTERISK PRECEDING SIGNAL INDICATES DIRECT CABLE EXPANSION

TAS DATE E.C.NO. TAS DATE E.C.NO. TAS DATE E.C.NO. TAS DATE E.C.NO.  
 A 04-02-63 TA1507 B 04-17-63 TA1607B C 09-02-63 TA1917C

**IBM** BULLHORN LABORATORIES WINCHESTER U.S. FORM NO. 624-9013-1

76997A  
 1917C



- \*1---01A4E26D
- \*2---01A4A24D
- \*3---01A3F23A
- \*4---01A4E24A
- \*5---01A3C25D
- \*6---01A3E26A
- \*7---01A3D23F
- \*8---01A3B250
- \*9---01A3C22A
- \*A---01B0A01F
- \*B---01A3A25H
- \*C---01A4F25H
- \*D---01B0A01F
- \*E---01A3D23F
- \*F---01A3E26A

10170

NO B REG I  
35.11.11.2

NO B REG I  
35.11.11.2  
NO B REG I  
35.11.11.2  
NO B REG I  
35.11.11.2  
MOD B  
35.11.11.2  
NO B REG I  
35.11.11.2  
NO B REG I  
35.11.11.2  
MOD B  
35.11.11.2  
NO B REG I  
35.11.11.2  
NO B REG I  
35.11.11.2

NO B REG NOT I  
35.11.11.2

NO B REG NOT I  
MODEL D  
35.11.11.2  
NO B REG NOT I  
35.11.11.2  
35.16.11.2

T B REG I  
35.11.11.2

T B REG I  
MODEL D  
35.11.11.2  
T B REG I  
35.16.11.2  
\*6-70.51.21.2  
\*6-35.30.41.2  
\*6-32.43.11.2  
\*6-46.10.21.2  
\*6-35.21.11.2  
\*6-44.33.31.2  
\*C-44.90.31.1

T B REG NOT I  
35.11.11.2

T B REG NOT I  
35.16.11.2  
\*E-34.21.11.2  
\*E-44.33.21.2  
\*F-44.90.31.1

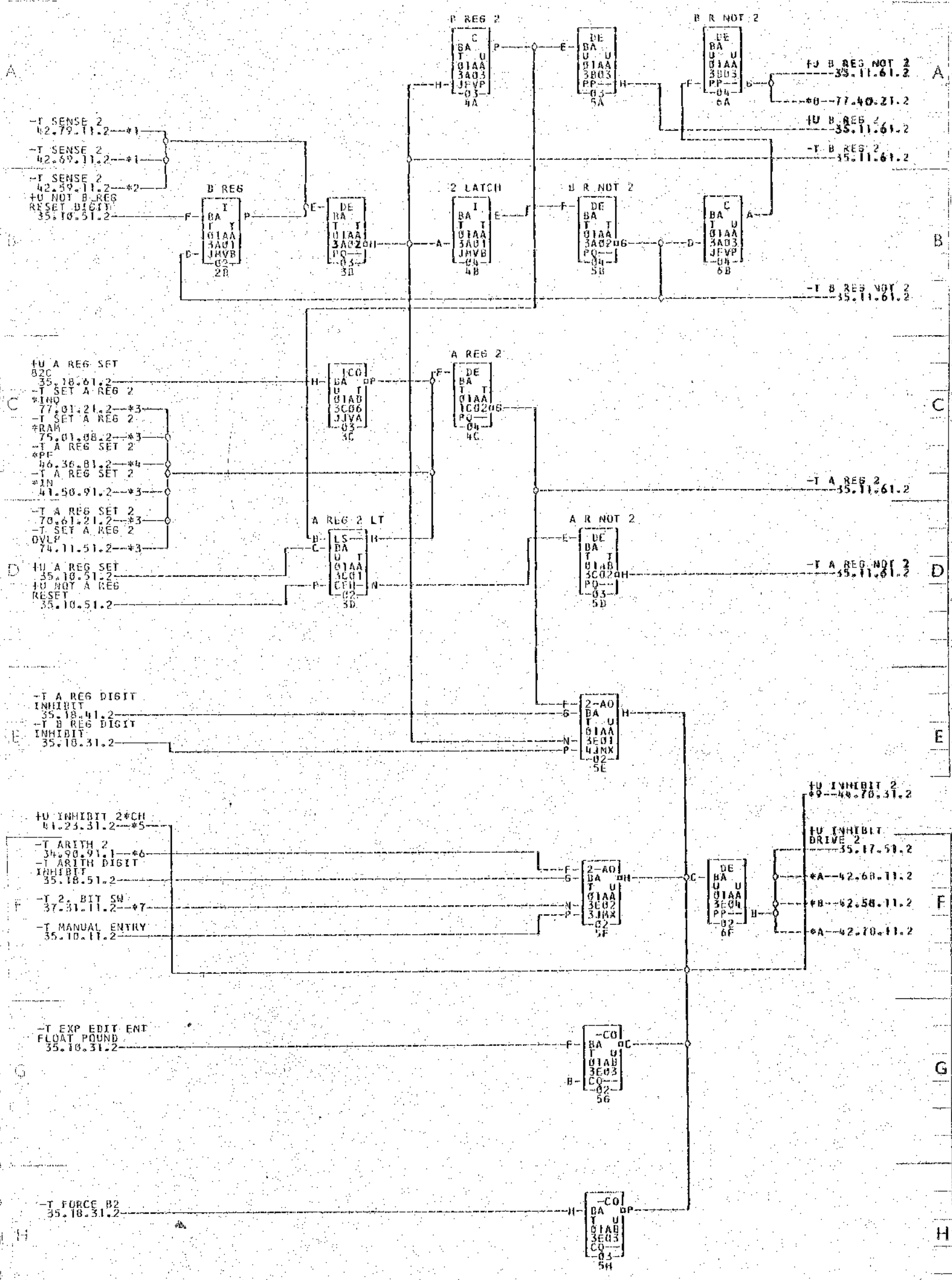
T A REG I  
35.11.11.2

T A REG I  
35.16.11.2  
35.16.61.2  
\*G-44.33.11.2  
\*6-34.32.12.2  
\*6-36.44.11.2  
\*6-34.21.11.2  
\*H-44.90.31.1

T A REG NOT I  
35.11.11.2

T A REG NOT I  
35.16.11.2  
35.16.61.2  
\*K-34.32.12.2  
\*K-34.21.11.2  
\*K-44.33.11.2  
T A REG NOT I  
MODEL D  
35.11.11.2

*1-01A3F24A	01A6B26A	01A6F26J	01B3D03A	01B4A01J	02A0B01F
02A0E23A	02A0C250	01B0A02C	*2-01A3F24A	02A0B01F	01B7F03A
01D7D02B	01B0A02C	*3-01A3B03B	DIRECT	01B7B020	*4-01A3C26C
01B3E01C	*5-01A3C24F	DIRECT	01B7E02P	*6-01A3C24F	01A4E26B
01A8F24A	01B1B01A	01D0A01A	02A0C11B	02A2C24N	02A0A26R
*C-01A3C24F	DIRECT	02B0E01P	*E-01A3C24N	01B6E02N	02A0B07C
02A0E26D	*F-01A3C24N	DIRECT	02B0E010	*G-01A3D26F	01B1B01H
01B3B01A	01B6E03A	01B4E03A	01B0A016	02A0B05C	02A0B26C
*H-01A3D26F	DIRECT	02B0E016	*J-01A3D26F	DIRECT	01E1B026
*K-01A3D26F	01B3B01E	01B6E02F	02A0B13C	02A0B26B	*L-01A3E23H
01B7B01H					



- \*1--01A3F26C
- \*2--01A3A24C
- \*3--01A3F23B
- \*4--01A3E24B
- \*5--01A3D23E
- \*6--01A3C25C
- \*7--01A3E26D
- \*8--01A3C22D
- \*9--01A3D23E
- \*A--01A3F25C
- \*B--06B7A08E
- \*C--01B0A01P
- \*D--01A3A25E
- \*E--02A0D03B
- \*F--02B7F02E
- \*G--01A3F25C
- \*H--01A3F25C

TU B REG 2  
35.11.51.2

TU B REG 2  
35.11.51.2

041--39.32.11.1

041--75.01.01.2

042--77.50.51.2

NO B REG 2

043--77.61.31.2

NO B REG 2 NOT 2

35.16.21.2

TU B REG NOT 2  
35.11.51.2

044--34.32.11.2

046--44.10.21.2

T B REG 2

045--35.21.11.2

045--41.25.21.2

35.16.11.2

047--55.30.41.2

047--32.43.21.2

047--44.33.21.2

047--70.51.21.2

047--46.10.21.2

T B REG NOT 2

35.16.11.2

048--34.10.21.2

048--44.33.31.2

049--31.01.31.1

T B REG NOT 2

MODEL D

049--34.04.41.1

T B REG 2  
35.11.51.2

T B REG NOT 2  
35.11.51.2

T A REG 2  
35.11.51.2

T A REG 2

35.16.51.2

048--44.33.31.2

048--34.21.11.2

048--36.04.11.2

048--34.32.12.2

048--36.50.11.2

T A REG NOT 2  
35.11.51.2

T A REG NOT 2

35.16.61.2

048--34.32.12.2

048--34.21.11.2

048--44.33.11.2

51

51

\*1--01A3F24B  
 02A0E23B  
 03--01A3F24B  
 04--01B3D03F  
 05--01A0F24B  
 06--01A4E24C  
 \*8--01A3C24P  
 \*4--01A4D23H  
 07--01B6E03H  
 08--01D0E02E

\*2--01A6D26B  
 01A3F24B  
 02A0E03F  
 02A0E07E  
 01B6E01Q  
 01A3F24B  
 01B6E02H  
 01B7B01N  
 01B4E03B  
 02A0E01C

01A6F24K  
 02A0E03F  
 01B7B03B  
 02A0E02G  
 02A0E01C  
 01B6E01Q  
 01A3C24P  
 01B6E02H  
 \*D--01A3D26S  
 01B7B01N  
 02A0E01B  
 02A0E02F

01B4C01K  
 02A0E24B  
 01B7B02H  
 \*E--01A3C24G  
 01A3C24P  
 02A0E01C  
 02A0E01C  
 01B7B01N  
 01B7B01N  
 02A0A26L

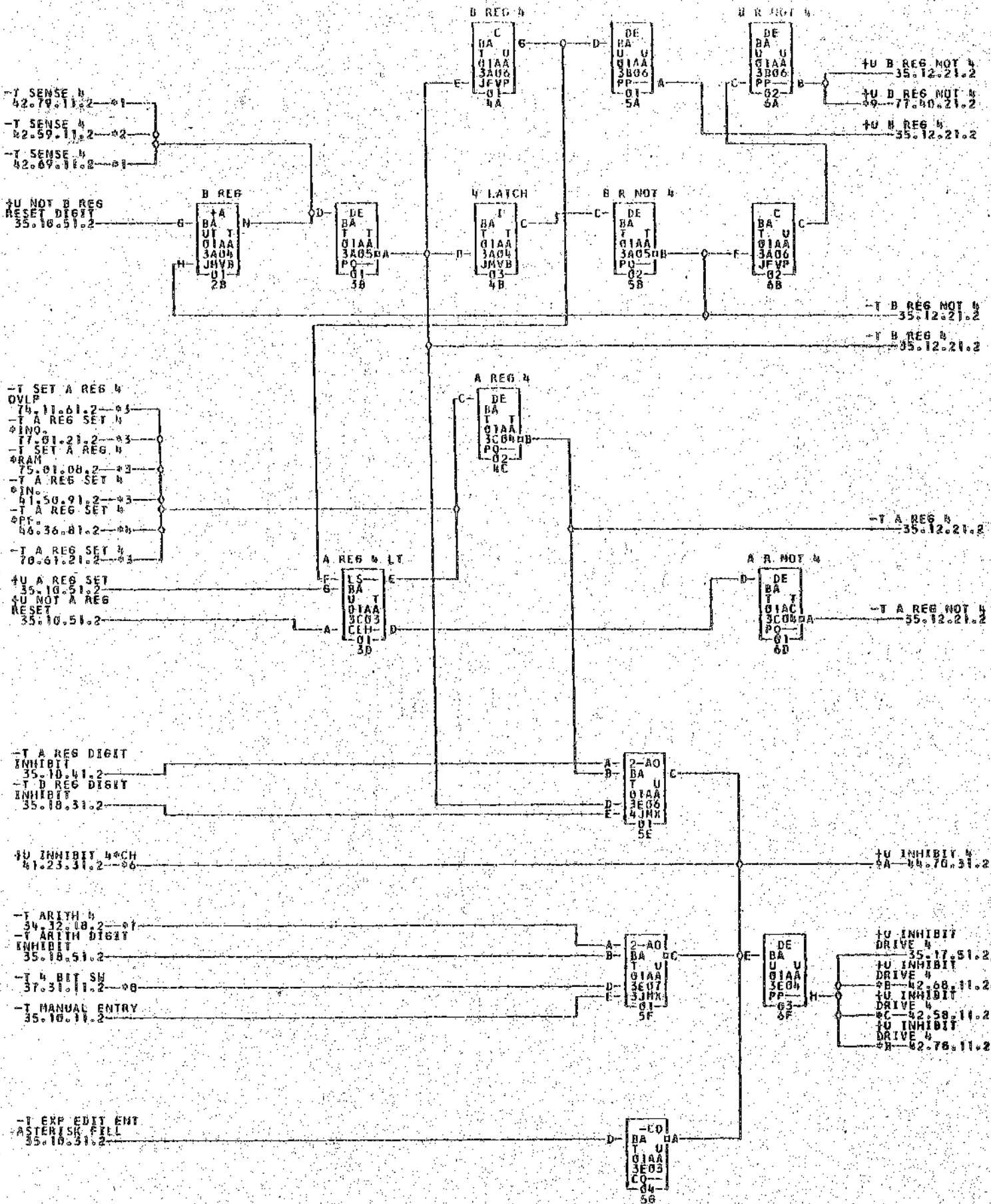
01B3D03E  
 02A0C25H  
 01B6A00M  
 01A4E26C  
 02A0E01H  
 02A0E01H  
 \*9--01A3D23N  
 01B3B01B  
 \*C--01A3D26Q

02A0B03F  
 01B6A00M  
 \*4--01A3F24G  
 01B1B01B  
 \*7--01A3C24G  
 02A0E24H  
 02B0D01N  
 01B6A01F  
 01B3B01F

COMMENTS

TAG DATE E.C.NO. TAG DATE E.C.NO. TAG DATE E.C.NO. TAG DATE E.C.NO.  
 A 04-02-63 TA1607 B 04-17-63 TA1607B





- \*1-01A3F30B
- \*2-01A3A24D
- \*3-01A3F23C
- \*4-01A3E24C
- \*5-01A3D23D
- \*6-01A3D23D
- \*7-01A3C23B
- \*8-01A3E24C
- \*9-01A3C23B
- \*A-01A3D23D
- \*B-01A3E24C
- \*C-01A3A24D
- \*D-01A3F23C
- \*E-01A3E24C
- \*F-01A3D23D

COMMENTS TAG DATE E.C.NO. TAG DATE E.C.NO. TAG DATE E.C.NO. TAG DATE E.C.NO.

728728

+U B REG 4  
35.12.11.2

A

+U B REG 4  
MOD D  
\*1-77.40.51.2

+U B REG 4  
\*2-34.10.21.2

\*2-36.23.21.2

\*2-34.32.11.2

\*2-36.13.31.2

+U B REG 4 NPF  
\*2-36.31.91.2

+U B REG 4  
MOD D  
\*2-77.40.51.2

\*2-75.01.01.2

-T B REG 4  
MODEL D  
\*3-34.94.41.1

-T B REG 4  
\*4-31.91.11.1

\*5-35.21.11.2

\*5-44.33.31.2

35.16.21.2

\*5-35.30.41.2

\*5-32.43.31.2

\*5-46.10.21.2

\*5-41.23.21.2

\*5-70.51.21.2

\*5-36.37.31.2

-T B REG 4  
35.12.11.2

B

-T B REG NOT 4  
\*D-34.10.21.2

\*D-44.33.21.2

35.16.21.2

-T B REG NOT 4  
35.12.11.2

D

-T A REG 4  
\*F-44.33.11.2

\*F-34.32.12.2

\*F-35.16.71.2

\*F-34.21.11.2

\*F-36.44.11.2

\*F-36.50.11.2

-T A REG 4  
35.12.11.2

F

-T A REG NOT 4  
\*G-35.16.71.2

\*G-34.21.11.2

\*G-44.33.11.2

\*G-34.32.12.2

\*G-36.12.11.2

-T A REG NOT 4  
35.12.11.2

F

+U B REG NOT 4  
\*H-35.16.31.2

\*H-34.12.11.2

\*H-36.23.21.2

\*H-56.13.11.2

+U B REG NOT 4  
35.12.11.2

G

H

H

\*1-01A3F24C  
01A6F26L  
02A8E23C  
0208D01L  
02A8C038  
02A8B26A  
01B4E03C  
01D6E02D  
01B3D036

02A8B05E  
01D4A01L  
02A8C25J  
\*5-01A3C24H  
02A8A26H  
\*F-01A3D26H  
02A8B09C  
02A8C07B  
01B3C03H

01B7F03C  
01B3D03C  
01B8A0AH  
01A4E26D  
02A2C24D  
01B1B01P  
02A8A26P  
01B6A03R  
01D7A02H

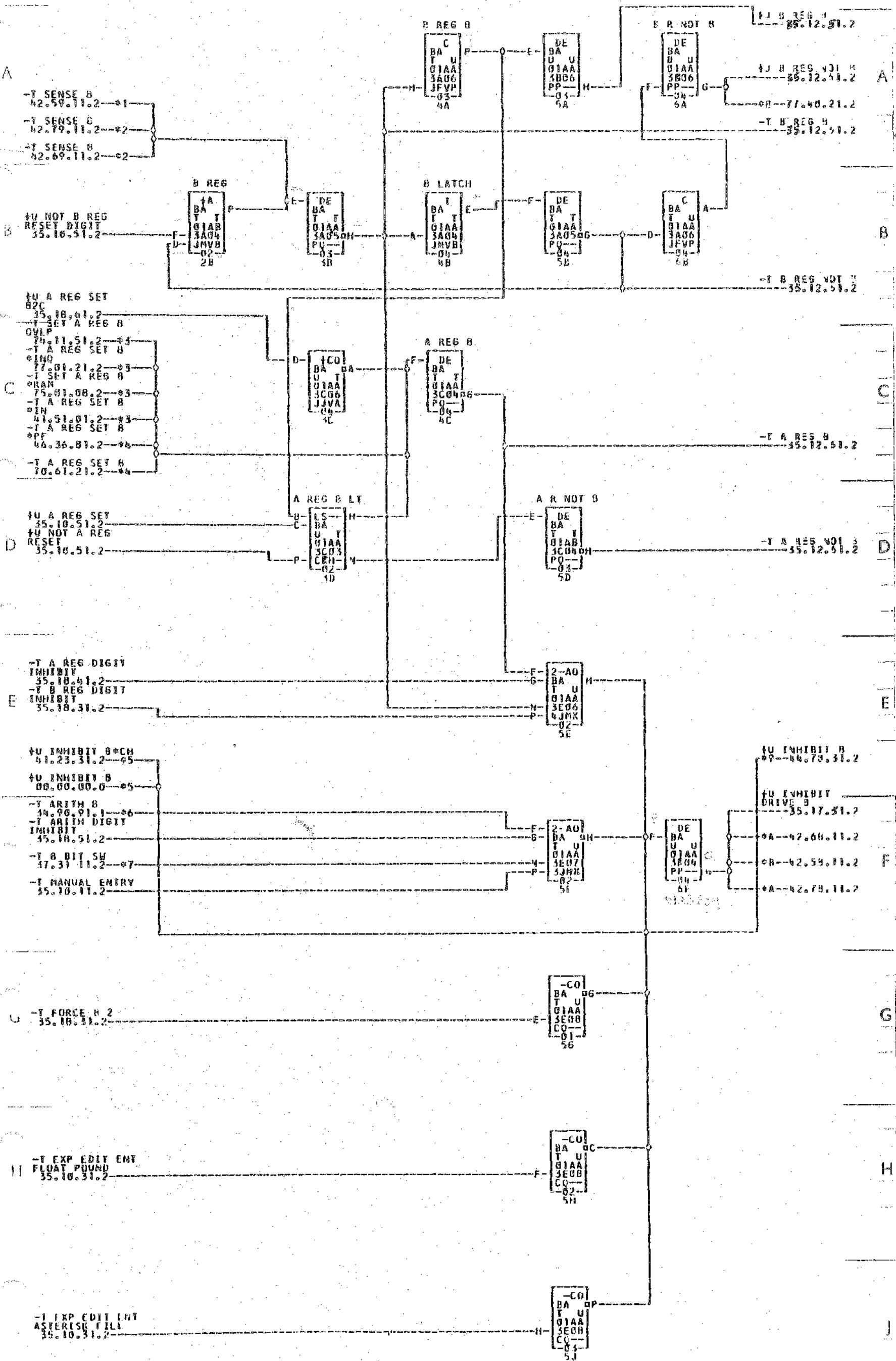
01B7D02J  
01B7A03D  
\*3-01A3B23L  
01A8E24C  
\*D-01A3C24H  
01B3B01C  
\*6-01A3D26R  
02A8B09C  
01D7A03E

01B8A0AH  
02A8B05E  
01B7B01L  
01B6E01C  
01B4A01E  
01B3B01B  
02A8B26E

\*2-01A3F24C  
02B7A02H  
\*4-01A3B23L  
01A4E01P  
02A8B01C  
01B6E03C  
01B4B02R  
\*H-01A3F24H

COMMENTS

TAG	DATE	E.C.NO.	TAG	DATE	E.C.NO.	TAG	DATE	E.C.NO.	TAG	DATE	E.C.NO.
A	04-02-63	TA1607	B	04-17-63	TA1607B						



- \*1--01A3A24A
- \*2--01A3E26A
- \*3--01A3F23D
- \*4--01A1F24D
- \*5--01A3E23C
- \*6--01A3C25A
- \*7--01A3E26D
- \*8--01B8A00S
- \*9--01A3D23C
- \*10--02A3C17C
- \*11--02B8F22C
- \*12--01A3F25E
- \*13--01A3A25E
- \*14--01A1F01C
- \*15--01A3E26A
- \*16--01A3C22D
- \*17--01B8A00S
- \*18--01A3A25E
- \*19--01A3D23C
- \*20--02A3C17C
- \*21--01A3E26A
- \*22--01A3C22D
- \*23--01B8A00S
- \*24--01A3A25E
- \*25--01A3D23C
- \*26--02A3C17C

+U B REG 8  
35.12.51.2

+U B REG 8  
\*1-36.23.31.2  
+U B REG 8  
\*1-34.32.11.2  
+U B REG 8  
\*1-36.13.31.2  
+U B REG 8  
\*1-75.01.01.2  
+U B REG 8  
\*1-77.40.51.2  
+U B REG 8  
MOD D  
\*2-77.40.51.2  
+U B REG 8 NFF  
\*1-36.31.91.2

A 5.4.62  
TA 1233B  
B 5.3.63  
TA 1771A

-T B REG 8  
35.12.51.2

-T B REG 8  
\*3-35.21.11.2  
-T B REG 8  
35.16.21.2  
-T B REG 8  
\*3-70.51.21.2  
-T B REG 8  
\*3-35.30.41.2  
-T B REG 8  
\*3-32.43.41.2  
-T B REG 8  
\*3-41.23.21.2  
-T B REG 8  
\*3-46.10.21.2

-T B REG NOT 8  
35.12.51.2

-T B REG NOT 8  
\*4-34.10.21.2  
-T B REG NOT 8  
\*4-44.33.11.2  
-T B REG NOT 8  
35.16.21.2

-T A REG 8  
35.12.51.2

-T A REG 8  
35.16.71.2  
-T A REG 8  
\*5-34.21.11.2  
-T A REG 8  
\*5-34.32.12.2  
-T A REG 8  
\*5-36.44.11.2  
-T A REG 8  
\*5-44.33.11.2  
-T A REG 8  
\*5-36.50.11.2

-T A REG NOT 8  
35.12.51.2

-T A REG NOT 8  
35.16.71.2  
-T A REG NOT 8  
\*6-34.32.12.2  
-T A REG NOT 8  
\*6-34.21.11.2  
-T A REG NOT 8  
\*6-44.33.11.2

+U B REG NOT 8  
35.12.51.2

+U B REG NOT 8  
35.16.31.2  
+U B REG NOT 8  
\*7-34.32.11.2

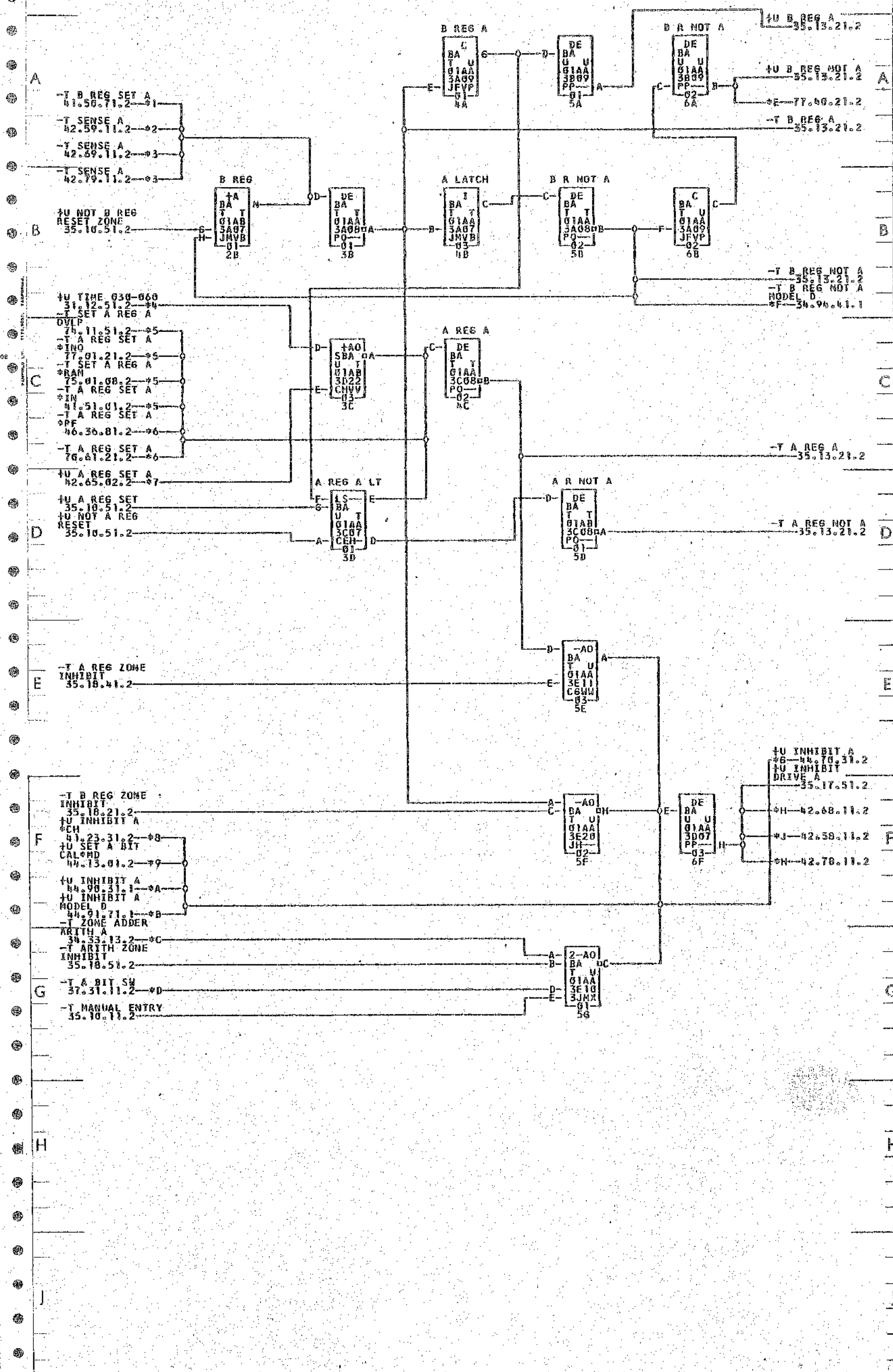
- \*1-01A3F26D
- 01A6F26H
- 01B4A01H
- \*2-01B3D03D
- 01B7C03B
- 02A0C03F
- 02A8E23D
- 02A8C25K
- 01BBA0BE
- \*2-01A3F24D
- 02A0C03F
- 01B7F03D
- 01B7D02C
- 01B8A0BE
- \*3-01A3C24J
- 02A0C03F
- 01B1B01D
- 01B6A01H
- 02A0B09E
- \*4-02B0F02P
- 02A2C24R
- 01B6E02K
- 02A0B17C
- 02A8B26J
- \*5-01A3D26J
- 01B1B01Q
- 01B6E03D
- 01B6A01D
- 02A0B03C
- 02A8B26B
- \*6-01A3C24A
- 01B3B01H
- 01B6E02C
- 02A0C09B
- 02A8A26Q
- \*7-01A3C26B
- 01B3E01B

COMMENTS

TAG DATE E.C.NO. TAG DATE E.C.NO. TAG DATE E.C.NO. TAG DATE E.C.NO.

A 12-15-61 113530 B 12-10-62 114177

1771A  
728731



- \*1-01A3F23H
- \*2-01A3A24E
- \*3-01A3F26E
- \*4-06B7A10E
- \*5-01A3D25P
- \*6-01A3E24E
- \*7-01A3F23K
- \*8-06B7A08K
- \*9-01A3E23E
- \*10-01A3D25D
- \*11-DIRECT
- \*12-01A3D23B
- \*13-01B7B02D
- \*14-01A3C25F
- \*15-01A3F23E
- \*16-01A3B01A
- \*17-01A3C25F
- \*18-01A3D23B
- \*19-01A3F22E
- \*20-02B6F02E
- \*21-01A3E23A
- \*22-06B7A08D
- \*23-01A3A25D
- \*24-01A3E23E
- \*25-01A3D25D
- \*26-01A3C25F
- \*27-01A3E23E
- \*28-01A3D25D
- \*29-01A3E23E
- \*30-01A3D25D

COMMENTS

TAG DATE E.C.NO. TAG DATE E.C.NO. TAG DATE E.C.NO. TAG DATE E.C.NO.

A 04-02-63 TA1607 B 04-17-63 TA1607B

U B REG A  
35.13.11.2

U B REG A  
\*1-35.30.21.2  
U B REG A  
\*1-75.01.01.2  
U B REG A  
\*1-41.50.01.2  
U B REG A  
\*1-77.40.51.2  
U B REG A  
\*1-77.40.51.2  
POD D  
\*2-77.40.51.2

A 5.4.62  
TA 1233B  
B 5.3.83  
TA 1771A

U B REG NOT A  
35.13.11.2

U B REG NOT A  
\*3-35.30.21.2  
U B REG NOT A  
\*4-00.00.00.0

T B REG A  
35.13.11.2

T B REG A  
\*5-30.20.11.2  
T B REG A  
\*5-41.23.21.2  
T B REG A  
\*5-35.16.31.2  
T B REG A  
\*5-35.30.01.2  
T B REG A  
\*5-70.51.21.2  
T B REG A  
\*5-34.33.11.2  
T B REG A  
\*5-32.43.51.2  
T B REG A  
\*5-35.21.11.2  
T B REG A  
\*5-44.32.11.2  
T B REG A  
\*5-46.10.31.2

T B REG NOT A  
35.13.11.2

T B REG NOT A  
\*6-35.18.01.2  
T B REG NOT A  
\*6-34.33.11.2  
T B REG NOT A  
\*6-34.21.11.2  
T B REG NOT A  
\*6-35.10.51.2  
T B REG NOT A  
\*6-35.16.31.2  
T B REG NOT A  
\*6-44.32.11.2  
T B REG NOT A  
\*6-44.11.31.2  
T B REG NOT A  
\*6-35.28.11.2

T A REG A  
35.13.11.2

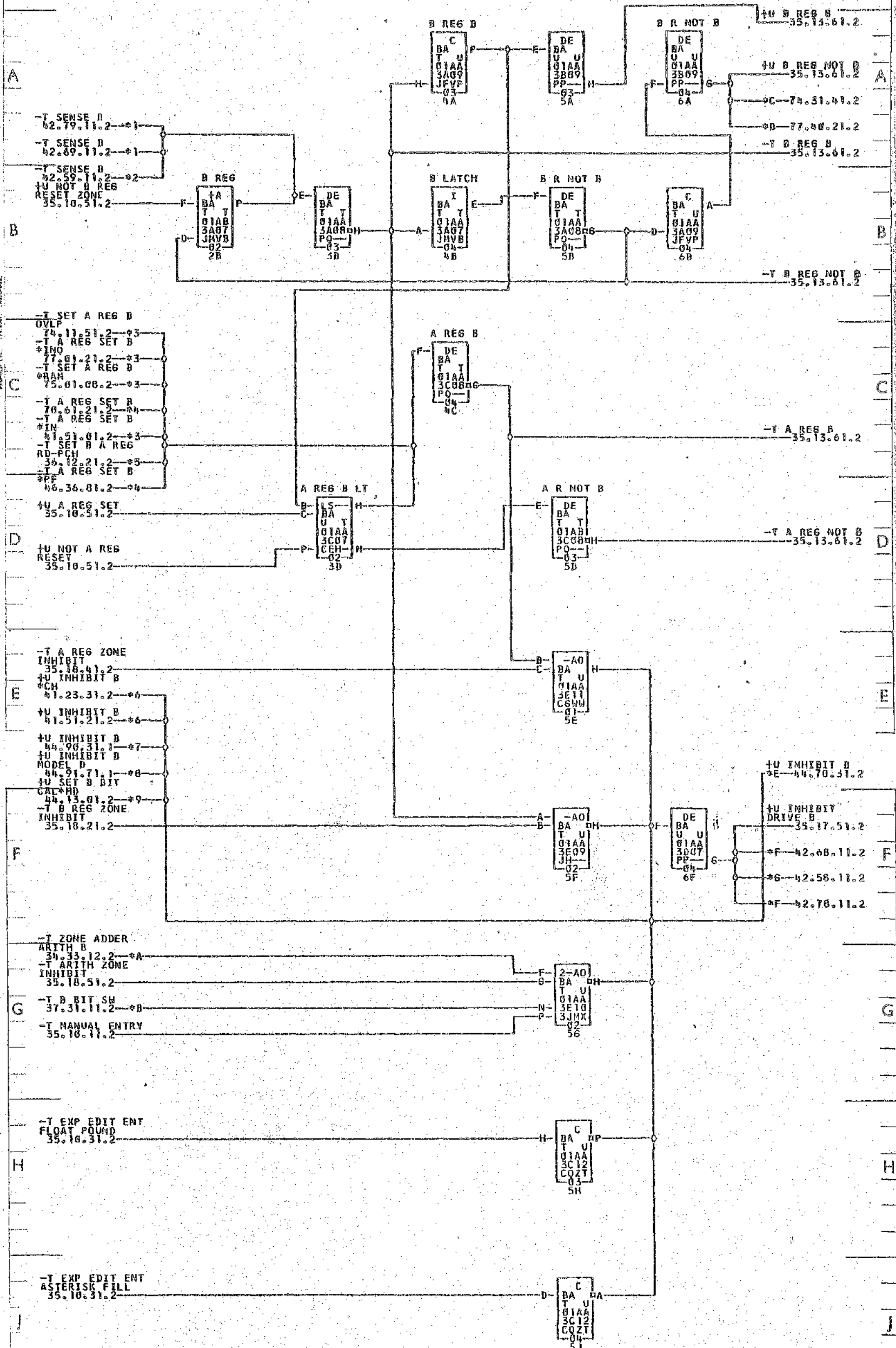
T A REG A  
\*7-34.31.11.2  
T A REG A  
\*7-34.21.11.2  
T A REG A  
\*7-44.32.11.2  
T A REG A  
\*7-35.16.01.2

T A REG NOT A  
35.13.11.2

T A REG NOT A  
\*8-35.16.01.2  
T A REG NOT A  
\*8-34.31.11.2  
T A REG NOT A  
\*8-34.21.11.2  
T A REG NOT A  
\*8-44.32.11.2

*1-01A3F26E	01A6F24E	0110D02A	02A6B17F	02F6C01A	02A0E23E
02A6C29E	01B0A0BP	*2-01A2F24E	02A0B17F	01B7D03E	01B7D02L
01B0A0BP	*3-01A3B20B	01B6C020	*4-01A3F24J	01A4E26A	*5-01A3C24K
01A4E26F	01A0F24E	01B1B01E	01B3D03J	01B6A01M	01B7A03M
02A0B155	02BHE02H	02A0A26M	02A2824P	*6-01A3D25A	01B3D03L
01B6E02J	01B7A03M	02A0H11B	02A0A26F	*7-01A3D26K	01B3D03K
01B3B01J	01B6A01C	02A0D07D	02A0A26D	*8-01A3C24B	01B3B01I
01B6E02B	02A0B17B	02A0A26J			

720733



*1-01A3F26F	*7-06B7A10F	*2-01A3A24F	*3-01A3F23F	*4-01A3E24F	*5-01A3D25G
*6-01A3D23A	*8-01A3E23F	*A-DIRECT	*B-02BBE01F	*C-01A3E23F	*D-DIRECT
*B-01B7R02F	*9-01A3E23F	*A-01A3C25F	*D-01A3E26F	*C-01A3A22D	*E-02AG63F
*D-01A3C22F	*10-01BBA01J	*E-01A1F01C	*E-01A3D23A	*E-02A8C15B	*F-02B6F02A
*F-01A3F25C	*6B7A08C	*6-01A3A25C	*E-01A1F01C		

COMMENTS

TAG DATE E.C.NO. TAG DATE E.C.NO. TAG DATE E.C.NO. TAG DATE E.C.NO.

A 04-02-63 TA1607 B 04-17-63 TA1607B

0789983

B REG AND A REG BIT B

1401SBA

35.13.41.2

+U B REG B  
35.13.51.2

+U B REG B  
35.51.91.2

A

\*2-35.30.21.2

\*1-75.01.01.2

\*2-41.50.01.2

\*3-56.13.11.2

\*1-36.37.31.2

+U B REG B  
MOD D

\*1-77.40.51.2

\*4-77.40.51.2

B

+U B REG NOT B  
35.13.51.2

+U B REG NOT B  
35.16.31.2

\*5-35.30.21.2

C

-T B REG B  
35.13.51.2

-T B REG B  
44.32.11.2

\*6-44.11.31.2

\*6-32.43.61.2

\*6-35.21.11.2

35.16.31.2

\*6-41.23.21.2

\*6-35.30.41.2

\*6-34.31.16.2

\*6-46.10.31.2

\*6-70.51.21.2

\*6-36.20.11.2

D

E

-T B REG NOT B  
35.13.51.2

-T B REG NOT B  
35.16.31.2

35.18.61.2

\*6-34.21.11.2

\*6-34.33.11.2

\*6-44.32.11.2

35.10.51.2

-T B REG NOT B  
MODEL D

\*11-34.91.41.1

-T B REG NOT B  
\*6-36.20.11.2

F

-T A REG B  
35.13.51.2

-T A REG B  
35.16.81.2

\*J-36.13.31.2

\*K-44.70.41.2

\*K-34.31.11.2

\*K-34.21.11.2

\*K-44.32.11.2

G

H

-T A REG NOT B  
35.13.51.2

-T A REG NOT B  
\*L-34.21.11.2

\*M-34.92.41.1

-T A REG NOT B  
MODEL D

\*N-34.91.41.1

-T A REG NOT B  
\*L-44.32.11.2

35.16.81.2

\*L-34.31.11.2

J

\*1-01A3F24F  
01B0A0BY  
\*3-01A3F24F  
01B7F03F  
01A4E266  
02A0009D  
01D3003M  
01B7001C  
02A00058  
02A0013B  
DIRECT

\*2-01A6B26F  
01A3F24F  
01A6B26F  
01B7002M  
01A8F24F  
02A0015E  
01D6002H  
\*J-01A3A23D  
02ABA26C  
02ABA26G  
01D7B02R

01D6D02C  
01A6B26F  
01A6F26P  
01B8A0BY  
01B1001F  
02A2B240  
01B7C03A  
01B0E02D  
02B6C01P  
\*H-01A3C24C

02A0B19F  
01B6D02C  
01B4A01P  
\*5-01A3B26A  
01D3D03K  
02A8A26E  
02A0B03D  
\*K-01A3D26L  
\*L-01A3C24C  
DIRECT

02A8E23F  
02A0B19F  
\*4-01A3F24F  
01B6C02A  
01B6A01L  
0207A02P  
02A8A26B  
\*11-01A3B23C  
01B6A01B  
01B6E02A  
02B8E01R  
\*N-01A3C24C

02ABC25M  
02B6C01C  
02A0B19F  
\*6-01A3C24L  
01D7A03H  
\*6-01A3B25U  
\*11-01A3B23C  
01B6A01B  
01B6E02A  
\*N-01A3C24C

COMMENTS

TAG DATE E.C.NO.  
A 04-02-63 TA1607

TAG DATE E.C.NO.  
B 04-17-63 TA1607B

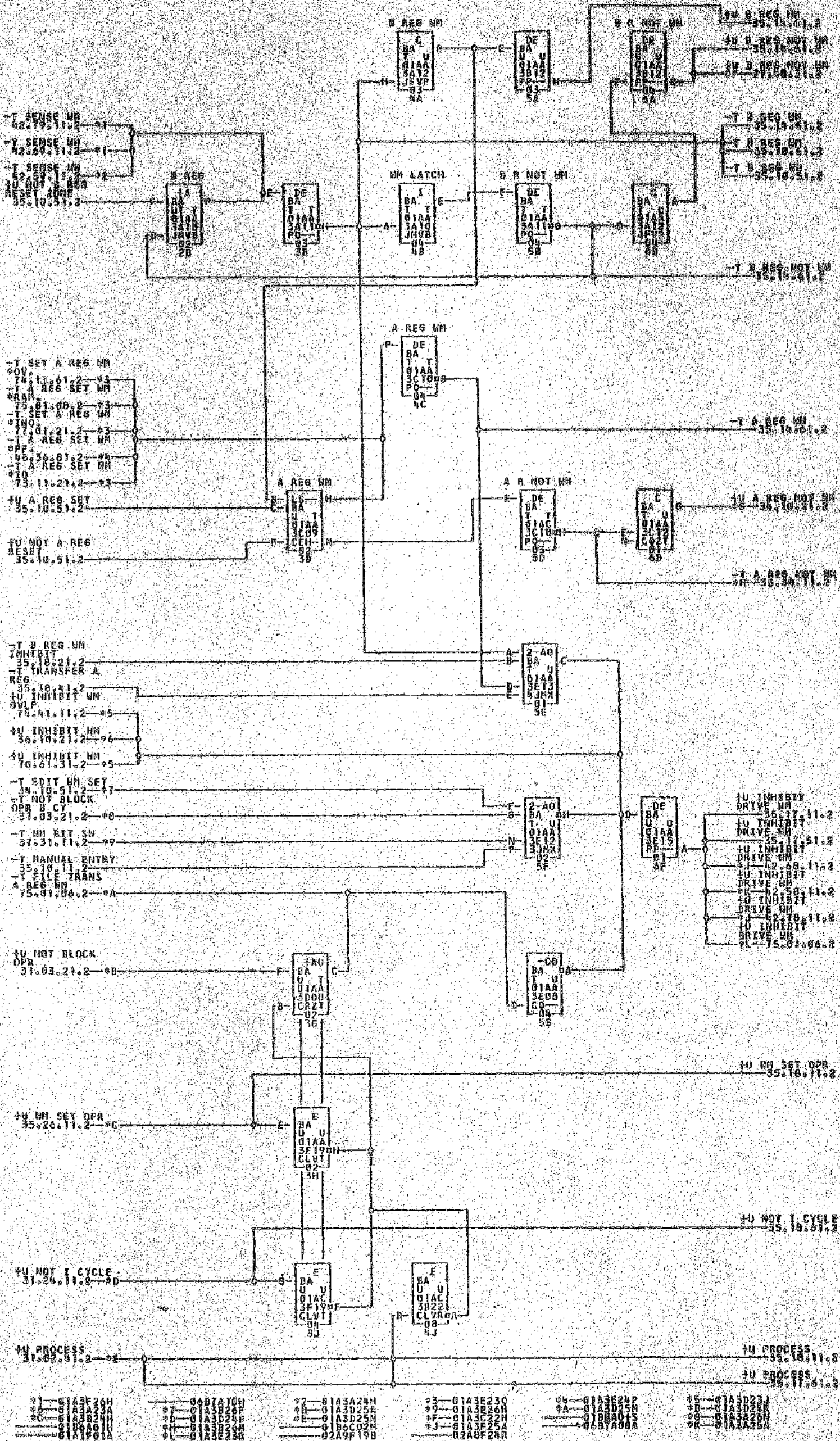
TAG DATE E.C.NO.

TAG DATE E.C.NO.

IBM SYSTEMS CORPORATION  
1100 N. WASHINGTON AVE.  
ARMONK, N.Y. 10504







31-01A3E26H	36-01A3B26F	42-01A3A24H	48-01A3D25A	54-01A3E230	60-01A3E24P	66-01A3D23J
32-01A3A23A	37-01A3B24F	43-01A3A25H	49-01A3D25B	55-01A3E231	61-01A3E25P	67-01A3D23K
33-01A3B24H	38-01A3B25F	44-01A3A26H	50-01A3D25C	56-01A3E232	62-01A3E26P	68-01A3D24J
34-01A3A24H	39-01A3B26F	45-01A3A27H	51-01A3D25D	57-01A3E233	63-01A3E27P	69-01A3D25K
35-01A3B25H	40-01A3B27F	46-01A3A28H	52-01A3D25E	58-01A3E234	64-01A3E28P	70-01A3A25A
38-01A3A26H	41-01A3B28F	47-01A3A29H	53-01A3D25F	59-01A3E235	65-01A3E29P	71-01A3A25B
39-01A3B27H	44-01A3B29F	49-01A3A30H	54-01A3D25G	60-01A3E236	66-01A3E30P	
40-01A3A27H	45-01A3B30F	50-01A3A31H	55-01A3D25H	61-01A3E237	67-01A3E31P	
41-01A3B28H	46-01A3B31F	51-01A3A32H	56-01A3D25I	62-01A3E238	68-01A3E32P	
42-01A3A28H	47-01A3B32F	52-01A3A33H	57-01A3D25J	63-01A3E239	69-01A3E33P	
43-01A3B29H	48-01A3B33F	53-01A3A34H	58-01A3D25K	64-01A3E240	70-01A3E34P	
44-01A3A29H	49-01A3B34F	54-01A3A35H	59-01A3D25L	65-01A3E241	71-01A3E35P	
45-01A3B30H	50-01A3B35F	55-01A3A36H	60-01A3D25M	66-01A3E242		

COMMENTS TAG DATE E.C.NO. TAG DATE E.C.NO. TAG DATE E.C.NO. TAG DATE E.C.NO.

728737

TO B REG MH  
35.14.51.2

TO B REG MH  
35.14.51.2

A

A

B

B

-T B REG MH  
35.14.51.2

-T B REG MH  
35.14.51.2

C

C

-T B REG NOT MH  
35.14.51.2

-T B REG NOT MH  
35.14.51.2

D

D

-T A REG MH  
35.14.51.2

-T A REG MH  
35.14.51.2

E

E

TO B REG NOT MH  
35.14.51.2

TO B REG NOT MH  
35.14.51.2

F

F

G

G

H

H

J

J

\*1-01A3E25C  
 02ABC25P  
 01B7D02P  
 01B6A01K  
 01B6F03K  
 02D7A02M  
 01A7D03K  
 \*4-01A3E25D

01A6C25D  
 01B8A00F  
 01B0A00F  
 02A0B01E  
 02A9D13D  
 01A7A23C  
 01B5D03E

01B2E02E  
 \*4-02B6C01O  
 01A3B25D  
 02A2E25H  
 02A8B25K  
 01A8A26C  
 01B6B02Q

01B6A01J  
 \*2-01A3E25C  
 01B1B03B  
 02B1F02E  
 \*4-01A3D26M  
 \*7-01A3D26M  
 \*6-01A3E25D  
 02A0C01F

02A0B13E  
 02A0B13E  
 01B3D03N  
 \*5-01A3A26M  
 01B3A01A  
 01B2D03E  
 DIRECT  
 02D6C01B

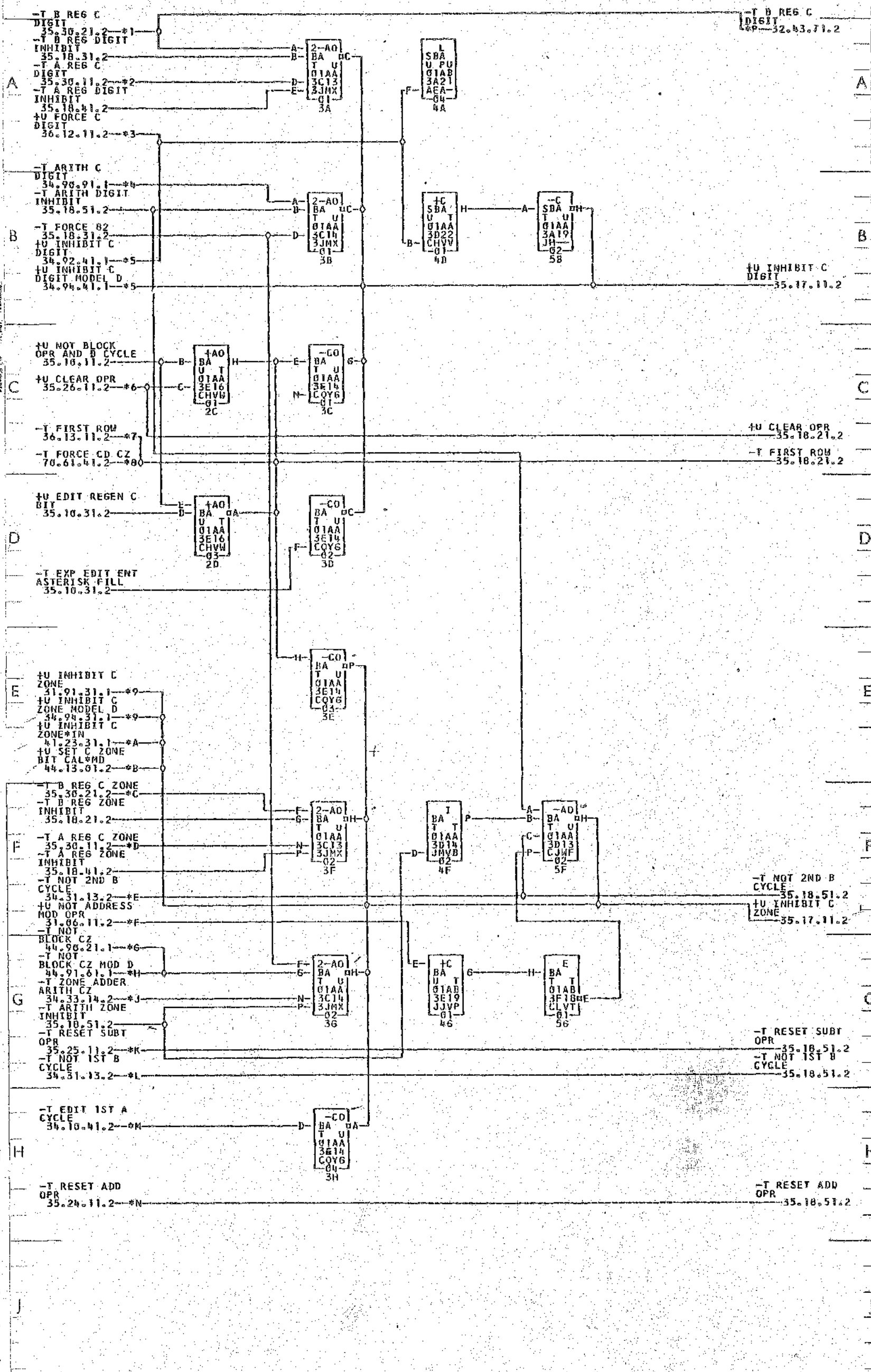
02A8E23H  
 01B7F03H  
 01A4E26J  
 01B6F02F  
 02A8F02C  
 01B2D03E  
 02B0B13E  
 02B1C02B

COMMENTS

TAG DATE E.C.NO. TAG DATE E.C.NO. TAG DATE E.C.NO. TAG DATE E.C.NO.

A 04-02-63 TA1607

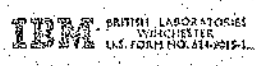
B 04-17-63 TA1607B



- \*1-01A3B26N
- \*2-01A3B26P
- \*3-01A3D25F
- \*4-01A3C25L
- \*5-01A3B23R
- \*6-01A3A26G
- \*7-01A3A23J
- \*8-01A3E25P
- \*9-01A3B23E
- \*A-01A3D23H
- \*B-01A3E23G
- \*C-01A3A26Q
- \*D-01A3D26C
- \*E-01A3C26N
- \*F-01A3D25J
- \*G-01A3C14G
- \*H-DIRECT
- \*I-01B7B02E
- \*J-01A3C25G
- \*K-DIRECT
- \*L-02DDE01E
- \*M-01A3B26D
- \*N-01A3B24L
- \*P-01A3A26R

COMMENTS TAG DATE E.C.NO. TAG DATE E.C.NO. TAG DATE E.C.NO. TAG DATE E.C.NO.

A 04-02-63 TA1687 B 04-17-63 TA1697R



1607 01

\*1-01A324K  
\*2-01A324K  
\*3-01A324K  
\*4-01A324K  
\*5-01A324K  
\*6-01A324K  
\*7-01A324K  
\*8-01A324K  
\*9-01A324K  
\*10-01A324K  
\*11-01A324K  
\*12-01A324K  
\*13-01A324K  
\*14-01A324K  
\*15-01A324K  
\*16-01A324K  
\*17-01A324K  
\*18-01A324K  
\*19-01A324K  
\*20-01A324K

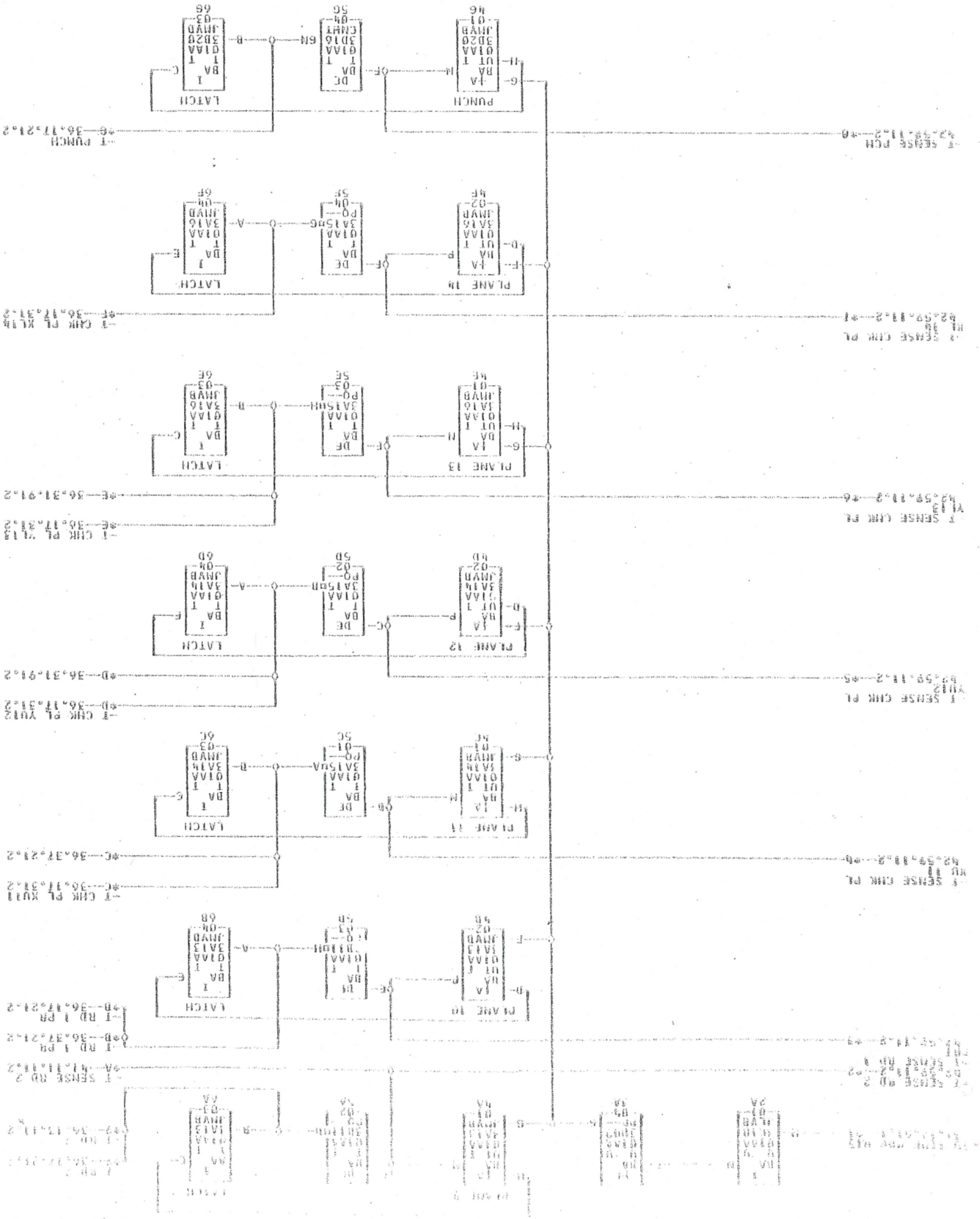
\*1-01A324K  
\*2-01A324K  
\*3-01A324K  
\*4-01A324K  
\*5-01A324K  
\*6-01A324K  
\*7-01A324K  
\*8-01A324K  
\*9-01A324K  
\*10-01A324K  
\*11-01A324K  
\*12-01A324K  
\*13-01A324K  
\*14-01A324K  
\*15-01A324K  
\*16-01A324K  
\*17-01A324K  
\*18-01A324K  
\*19-01A324K  
\*20-01A324K

\*1-01A324K  
\*2-01A324K  
\*3-01A324K  
\*4-01A324K  
\*5-01A324K  
\*6-01A324K  
\*7-01A324K  
\*8-01A324K  
\*9-01A324K  
\*10-01A324K  
\*11-01A324K  
\*12-01A324K  
\*13-01A324K  
\*14-01A324K  
\*15-01A324K  
\*16-01A324K  
\*17-01A324K  
\*18-01A324K  
\*19-01A324K  
\*20-01A324K

\*1-01A324K  
\*2-01A324K  
\*3-01A324K  
\*4-01A324K  
\*5-01A324K  
\*6-01A324K  
\*7-01A324K  
\*8-01A324K  
\*9-01A324K  
\*10-01A324K  
\*11-01A324K  
\*12-01A324K  
\*13-01A324K  
\*14-01A324K  
\*15-01A324K  
\*16-01A324K  
\*17-01A324K  
\*18-01A324K  
\*19-01A324K  
\*20-01A324K

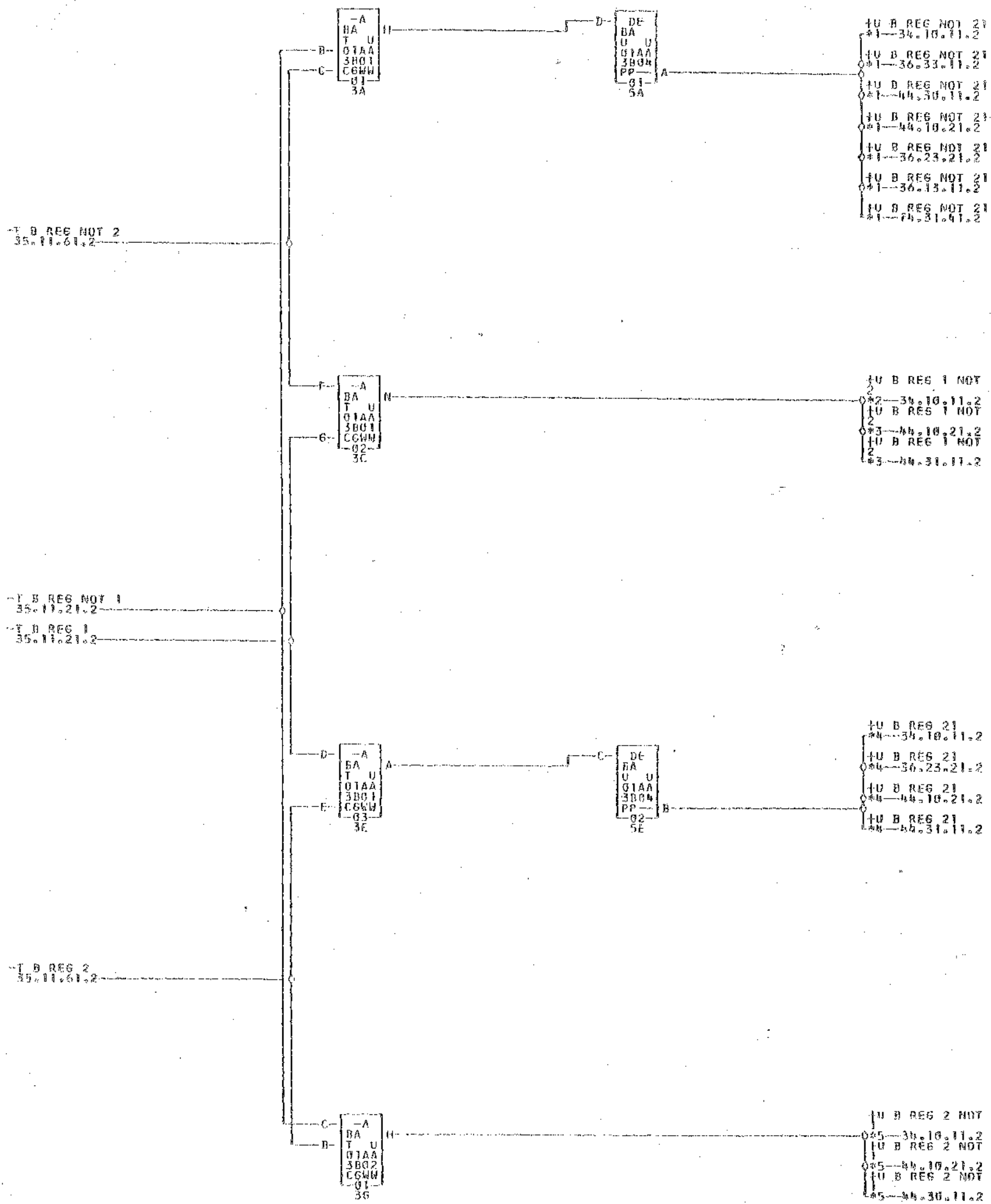
\*1-01A324K  
\*2-01A324K  
\*3-01A324K  
\*4-01A324K  
\*5-01A324K  
\*6-01A324K  
\*7-01A324K  
\*8-01A324K  
\*9-01A324K  
\*10-01A324K  
\*11-01A324K  
\*12-01A324K  
\*13-01A324K  
\*14-01A324K  
\*15-01A324K  
\*16-01A324K  
\*17-01A324K  
\*18-01A324K  
\*19-01A324K  
\*20-01A324K

\*1-01A324K  
\*2-01A324K  
\*3-01A324K  
\*4-01A324K  
\*5-01A324K  
\*6-01A324K  
\*7-01A324K  
\*8-01A324K  
\*9-01A324K  
\*10-01A324K  
\*11-01A324K  
\*12-01A324K  
\*13-01A324K  
\*14-01A324K  
\*15-01A324K  
\*16-01A324K  
\*17-01A324K  
\*18-01A324K  
\*19-01A324K  
\*20-01A324K



728740

35-15-51

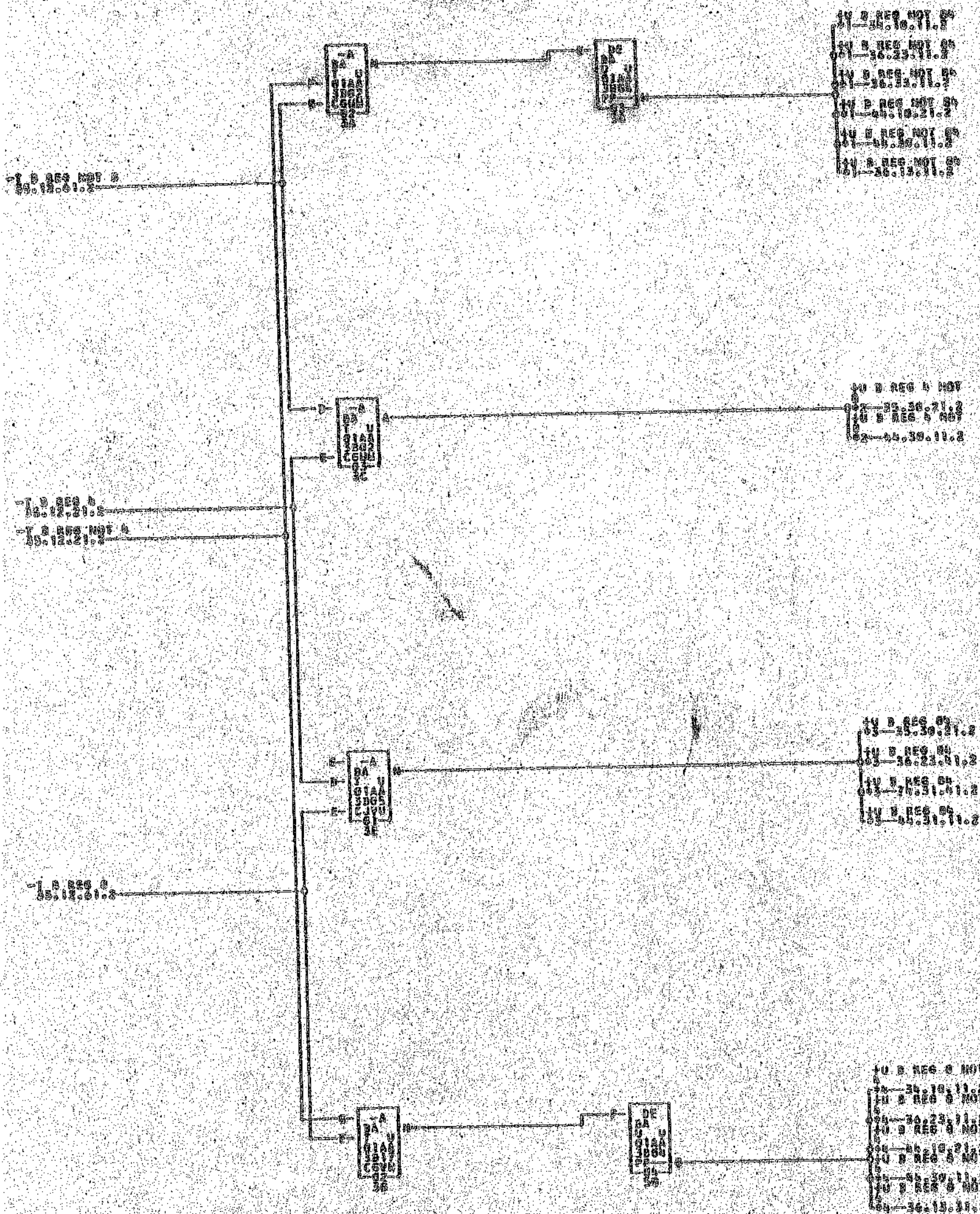


*1-01A3F24H	01A6P26G	01B6D02M	01B6E03N	01B6C03N	01B7A03D
*2-02A0D02A	02A8A25F	02B7A02C	02B7C02J	*2-01A3F24K	01B6D02L
*3-01A3F24K	02A0C07A	02B7A02E	02A8A25P	*4-01A3F24L	01B6D02J
01B7A03A	02A0C03A	02B7A02F	02A8A25H	*5-01A3F24H	01B6D02K
02A0B19A	02B7A02B	02A8A25K			

COMMENTS

TAG DATE	E.C.NO.	TAG DATE	E.C.NO.	TAG DATE	E.C.NO.	TAG DATE	E.C.NO.
A 12-15-61	113530	B 12-18-62	114177				

728741



1-10-66  
1-10-66  
1-10-66  
1-10-66  
1-10-66  
1-10-66  
1-10-66  
1-10-66  
1-10-66  
1-10-66

1-10-66  
1-10-66  
1-10-66  
1-10-66  
1-10-66  
1-10-66  
1-10-66  
1-10-66  
1-10-66  
1-10-66

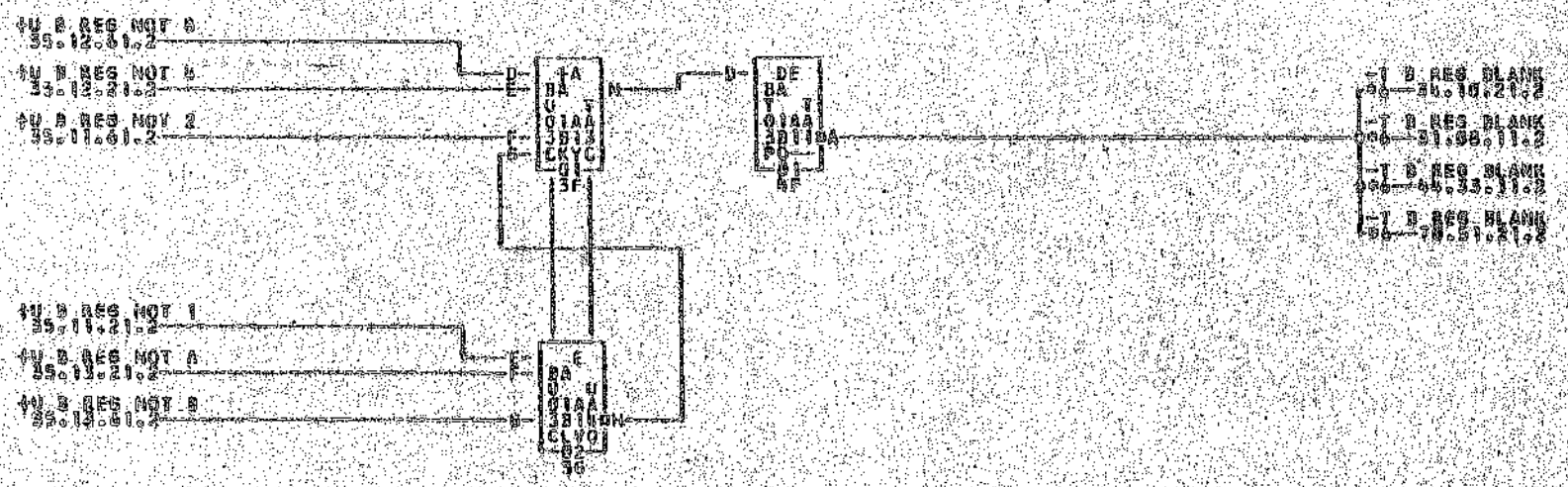
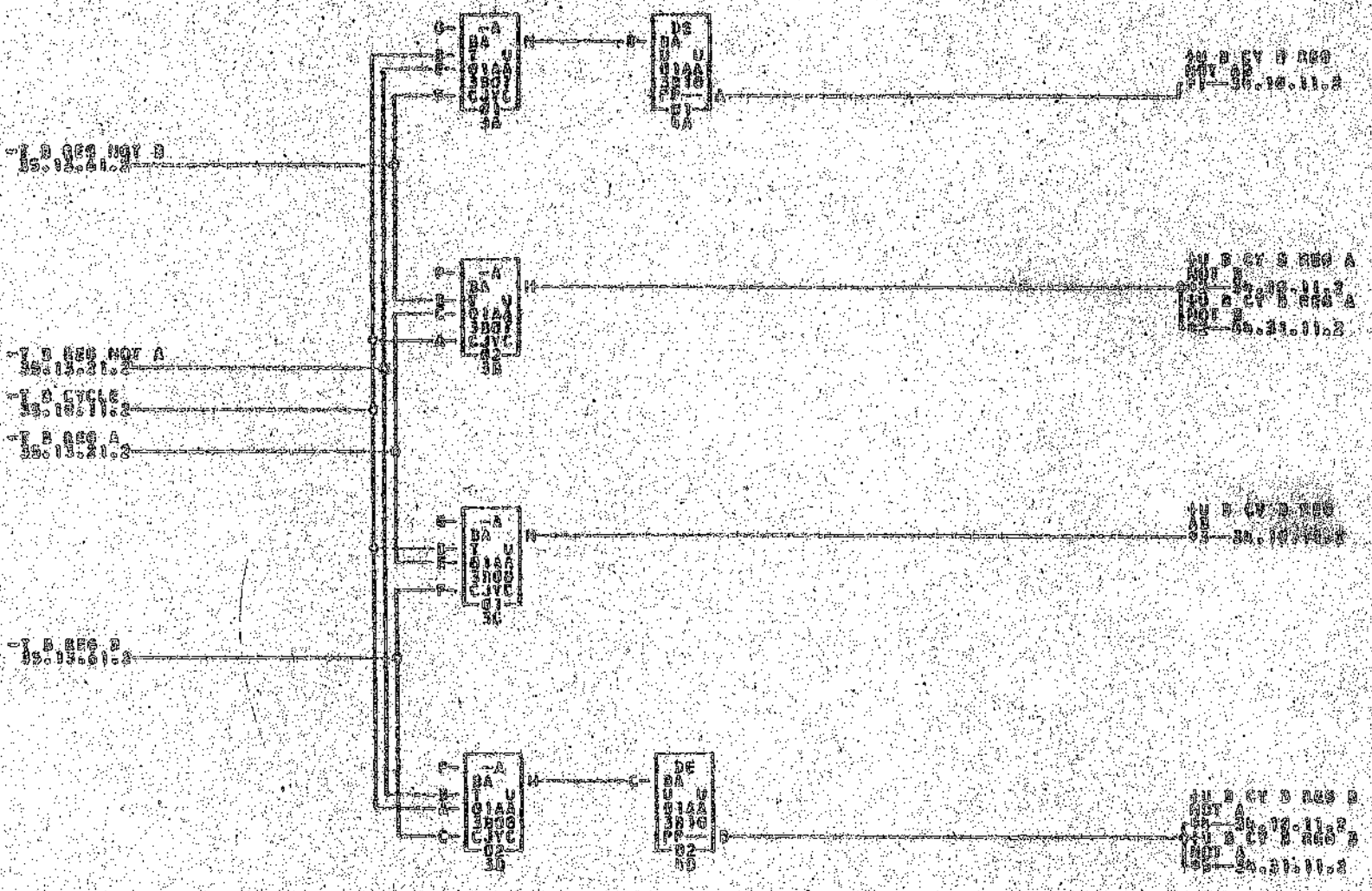
1-10-66  
1-10-66  
1-10-66  
1-10-66  
1-10-66  
1-10-66  
1-10-66  
1-10-66  
1-10-66  
1-10-66

1-10-66  
1-10-66  
1-10-66  
1-10-66  
1-10-66  
1-10-66  
1-10-66  
1-10-66  
1-10-66  
1-10-66

1-10-66  
1-10-66  
1-10-66  
1-10-66  
1-10-66  
1-10-66  
1-10-66  
1-10-66  
1-10-66  
1-10-66

1-10-66  
1-10-66  
1-10-66  
1-10-66  
1-10-66  
1-10-66  
1-10-66  
1-10-66  
1-10-66  
1-10-66

72072



LOGIC DATE: 5/4/52 TAG DATE: 1/3/73 C.C. NO. TAG DATE: 5/4/52

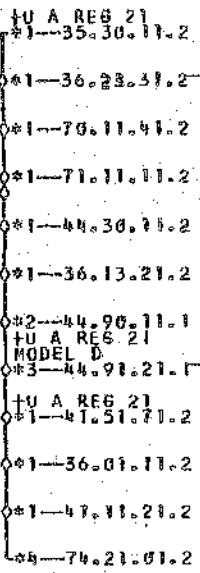
0120743



A

A

-T A REG 1  
35.11.21.2



B

B

-T A REG 2  
35.11.21.2

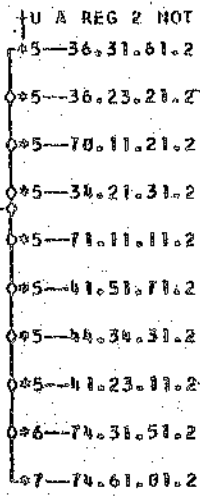
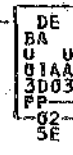
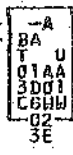
C

C

D

D

-T A REG NOT 1  
35.11.21.2



E

E

F

F

G

G

H

H

J

J

\*1-01A3E25L  
02A6B13A  
021W-044  
01B7B02M  
01B8B02K  
02D6C91H  
01A3C26K

01A6C25G  
02A0B05G  
\*2-01A3D03A  
\*4-01A3A22K  
01B7A03Q  
02A0B26H  
01A3E26G

01B7A03R  
02A1D26F  
DIRECT  
02A0A15F  
02A0C03C  
\*6-01A3A22G  
02A9A19G

01B6A03C  
02A2C24K  
021B001H  
021B001K  
02A0B15G  
02A0A09F

01B4B02C  
02A0A25G  
\*3-01A3D03A  
\*5-01A3E25K  
02A1D26E  
02B1D01G

01B6B02J  
02B6C01D  
DIRECT  
01A6B26L  
02A2C26H  
\*7-01A3E26K

COMMENTS

TAG DATE E.C.NO. A 04-02-63 TA1607

TAG DATE E.C.NO. B 04-17-63 TA1607B

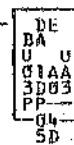
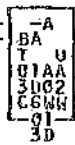
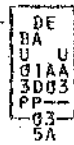
TAG DATE E.C.NO.

TAG DATE E.C.NO.

-T A REG NOT 1  
35.11.21.2

-T A REG NOT 2  
35.11.61.2

-T A REG 1  
35.11.21.2



+U A REG NOT 21  
35.16.61.2

\*1-34.21.31.2

\*1-36.31.61.2

\*1-36.23.21.2

\*1-44.30.11.2

\*1-41.23.11.2

\*1-70.11.21.2

\*1-71.11.12.2

\*1-36.13.21.2

\*2-34.92.41.1

+U A REG NOT 21  
MODEL D

\*3-44.91.21.1

+U A REG NOT 21  
41-74.21.41.2

+U A REG 1 NOT  
24-74.21.41.2

\*4-34.21.31.2

\*4-36.31.01.2

\*4-44.31.11.2

\*4-70.11.21.2

\*4-71.11.11.2

\*4-36.23.11.2

\*4-36.13.31.2

\*4-44.11.41.2

+U A REG 1 NOT  
2 MODEL D

\*5-44.91.21.1

+U A REG 1 NOT  
26-44.96.11.1

- \*1-01A3E25M
- 02A0803A
- \*2-01A3B23K
- 01B6B02L
- 02B1C02D
- 01B7B02L

- 01A6C25E
- 02A8A25B
- 02B8D01K
- 01B6E03H
- 02A9B01B
- \*6-01A3E25J

- 01B6B02M
- 02A0803G
- \*3-01A3B23K
- 01B4E03H
- 02A2C24J
- DIRECT

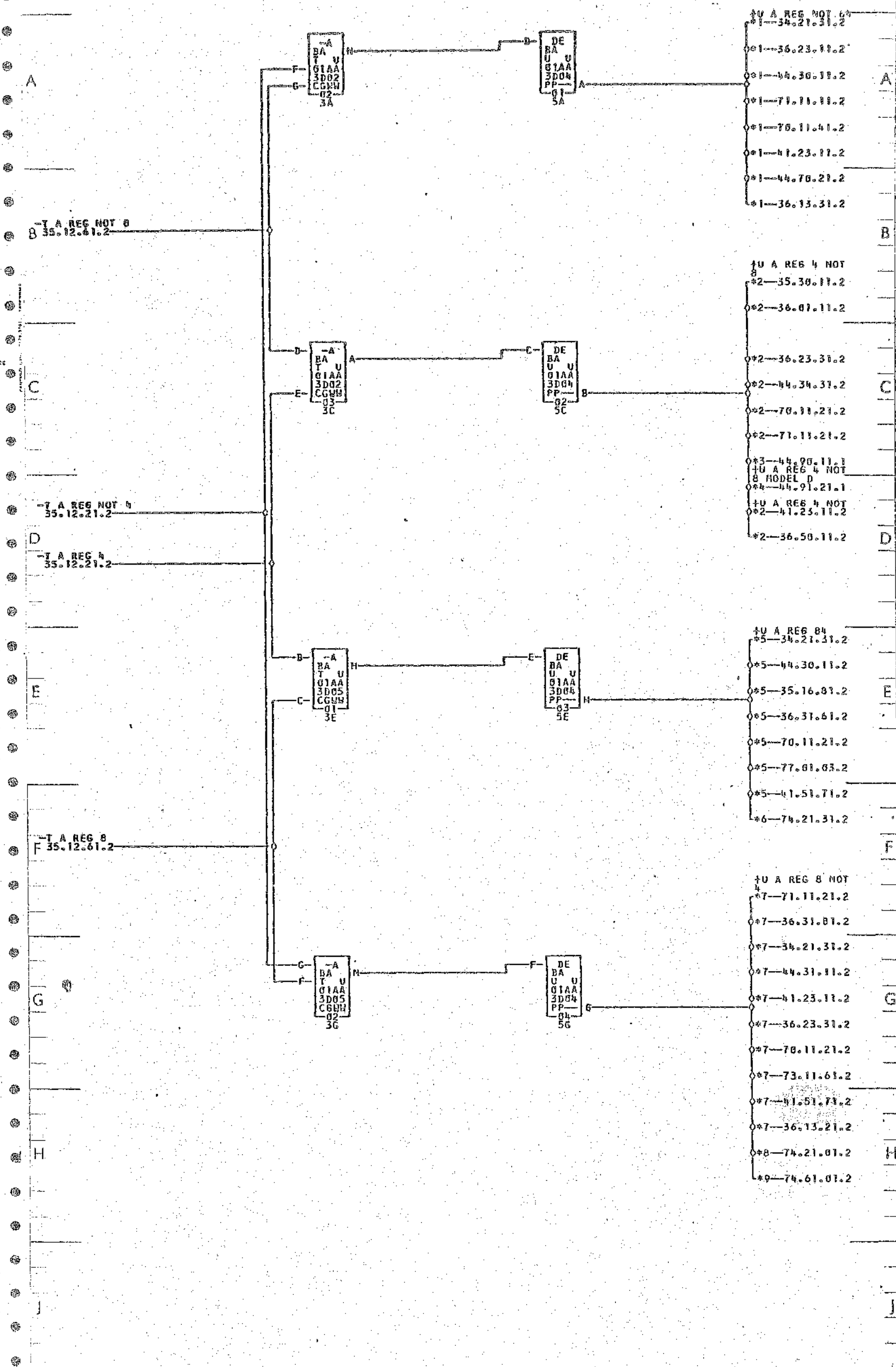
- 01B6E03E
- 02A2C24L
- 01D7B01K
- 01D7A03P
- 02A1D26C
- 02B8E01L

- 01B4E03E
- 02A1D266
- \*4-01A3E25J
- 02A0B11G
- \*5-01A3E25J

- 01B7B03A
- 02D1C02E
- 01A6B26K
- 02A8A26A
- DIRECT

COMMENTS

TAG	DATE	E.C.NO.	TAG	DATE	E.C.NO.	TAG	DATE	E.C.NO.	TAG	DATE	E.C.NO.
A	04-02-63	TA1607	B	04-17-63	TA1607B						



-I A REG NOT 0  
B 35.12.41.2

-I A REG NOT 4  
D 35.12.21.2

-I A REG 4  
D 35.12.21.2

-I A REG 8  
F 35.12.61.2

- \*1-01A3D26A
- 02A8A25A
- 01B2E02G
- 02A0B17G
- \*4-01A3E25N
- 02A0D11A
- 02B1B01C
- 01B7B03C
- 02A1D26L
- 01A5C26J

- 01B6B02H
- 02A0B016
- 01B6B02G
- 02A2C24H
- DIRECT
- 02B6C01E
- \*7-01A3E25O
- 02A0C09A
- 02TD-045
- 01A5E26F

- 01B6A03D
- 02A1D26D
- 01B6A036
- 02A1D26M
- 01B7B02J
- 02A0A25F
- 01A6B26H
- 02B6C01J
- \*8-01A3A22R
- 02A9A17G

- 01B4B02D
- 02A2C246
- 01B4B02G
- \*3-01A3E25N
- \*5-01A3E25R
- 02A2C24F
- 01B6B02F
- 02A8A25O
- 02A0A07G

- 01B7B03D
- \*2-01A3E25N
- 01B7B03B
- DIRECT
- 01A6B26N
- \*6-01A3A22C
- 01B6B03K
- 02A0B07G
- 02B1B01R

- 02A0B01A
- 01A6C25H
- 02A0C05C
- 02B8E01J
- 01B6B02E
- 02A0B11A
- 01D4E03K
- 02A2C24E
- \*9-01A3E24J

COMMENTS

TAG	DATE	E.C.NO.	TAG	DATE	E.C.NO.	TAG	DATE	E.C.NO.	TAG	DATE	E.C.NO.
A	04-02-63	TA1607	B	04-17-63	TA1607B						

9789751

INHIBIT CHECK LATCH

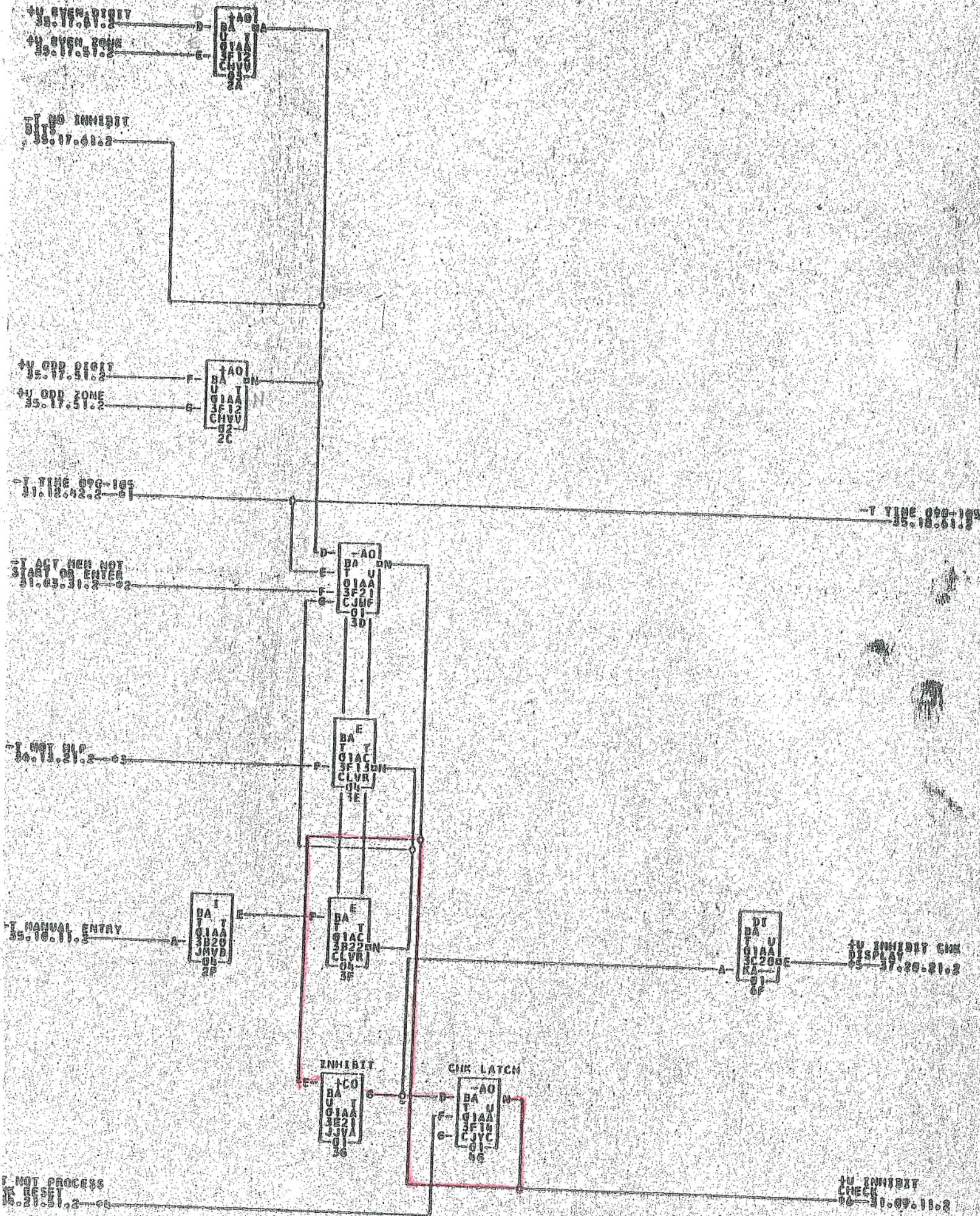
1001 BA

35.17.71.2

TAG DATE

B 12.7.62  
TA 1370F

C 6.3.63  
TA 1771A



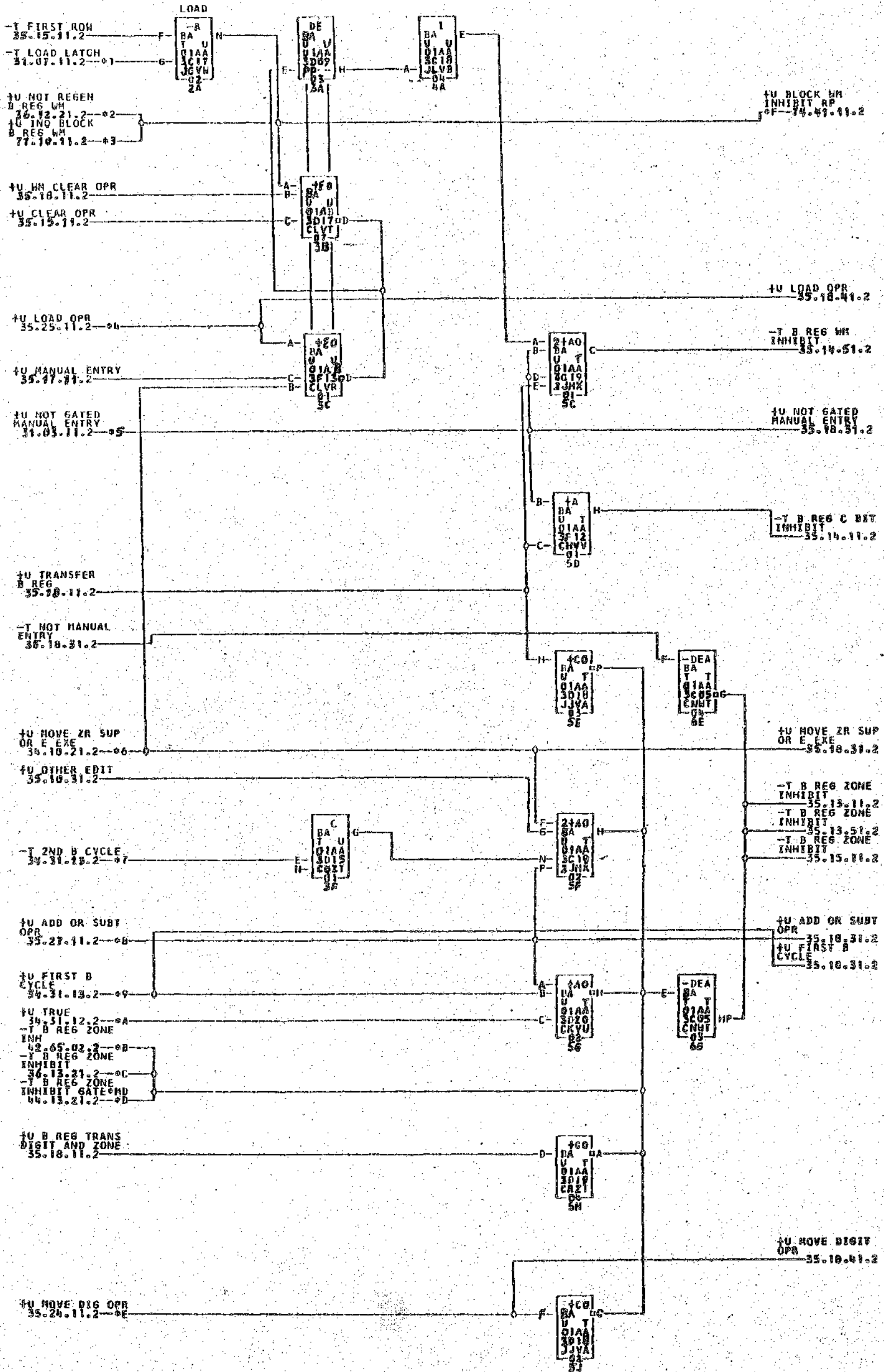
01-0103026  
 02-0102210  
 03-0102210  
 04-0102210  
 05-0102210  
 06-0102210

COMMENTS

TAG DATE 12-15-61  
 TAG DATE 05-10-62  
 TAG DATE 10-10-62  
 TAG DATE 05-10-62

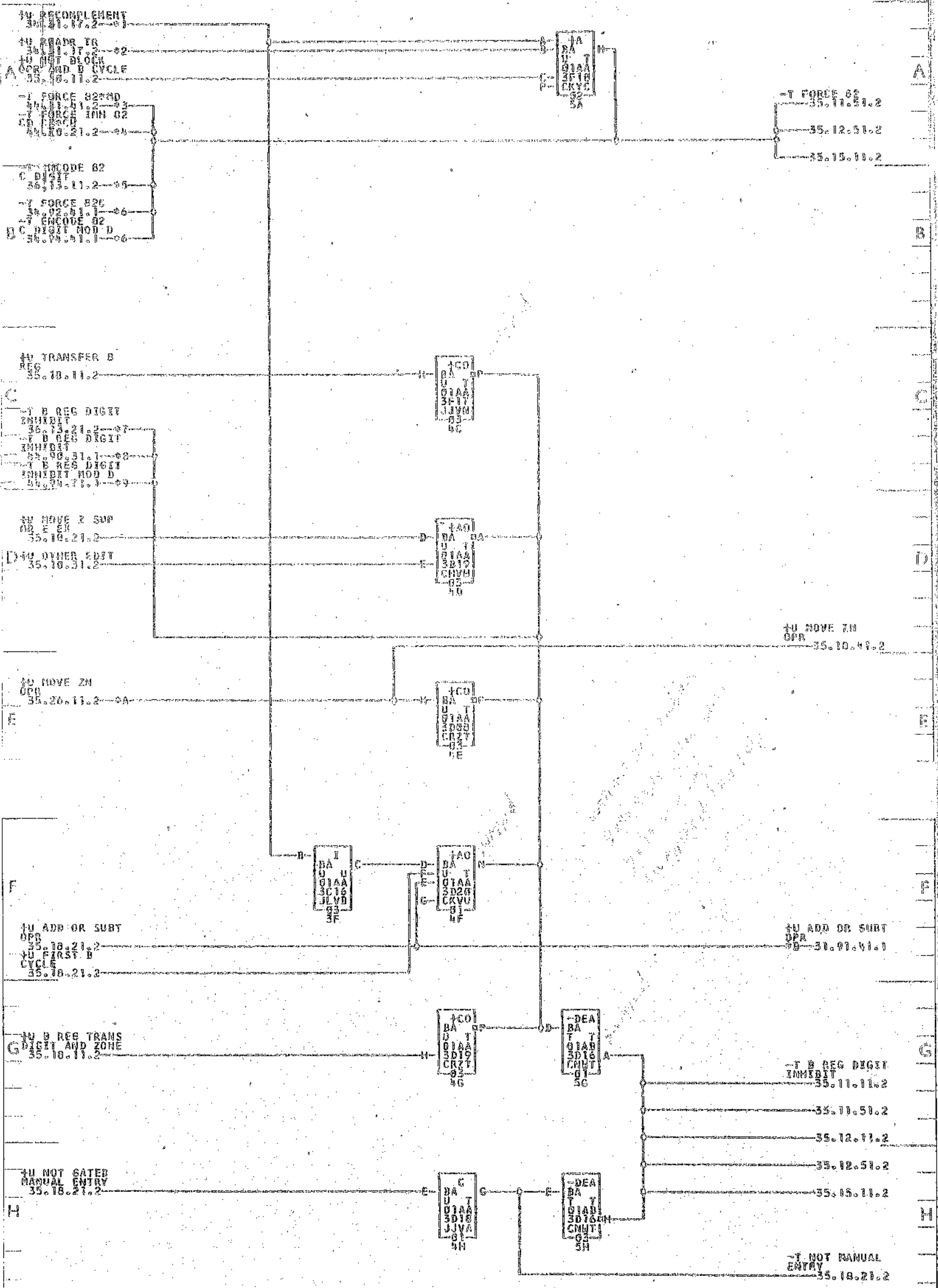
728751





- 01-01A3D24G
- 02-01A3D24H
- 03-01B0A00V
- 04-01D7P050
- 05-01B2D04H
- 06-01A3D24I
- 07-01A3E24P
- 08-01A3D24K
- 09-01A3C26L
- 10-01A3D24J
- 11-01B7A00W
- 12-01A3D24M
- 13-01A3E24Q
- 14-01A3D24N
- 15-01A3D24A
- 16-01B5P05H
- 17-01A3E24R
- 18-01A3E24S
- 19-01B2D05A
- 20-01B2A00X
- 21-01D7P051
- 22-01A3E24T
- 23-01A3E24U
- 24-01B2D05B
- 25-01B2B00Y
- 26-01A3D24O
- 27-01A3E24V
- 28-01A3E24W
- 29-01B2D05C
- 30-01B2C00Z
- 31-01D7P052
- 32-01A3E24X
- 33-01A3E24Y
- 34-01B2D05D
- 35-01B2D05E
- 36-01B2D05F
- 37-01B2D05G
- 38-01B2D05H
- 39-01B2D05I
- 40-01B2D05J
- 41-01B2D05K
- 42-01B2D05L
- 43-01B2D05M
- 44-01B2D05N
- 45-01B2D05O
- 46-01B2D05P
- 47-01B2D05Q
- 48-01B2D05R
- 49-01B2D05S
- 50-01B2D05T
- 51-01B2D05U
- 52-01B2D05V
- 53-01B2D05W
- 54-01B2D05X
- 55-01B2D05Y
- 56-01B2D05Z

728753



#1--01A3E2S  
 #2--01A3E2M  
 #3--01A3E2D  
 #4--01A3E2R  
 #5--01A3E2K  
 #6--01A3E2P

#7--01A3E2B  
 #8--01A3E2N  
 #9--01A3E2F  
 #10--01A3E2C  
 #11--01A3E2P  
 #12--01A3E2P

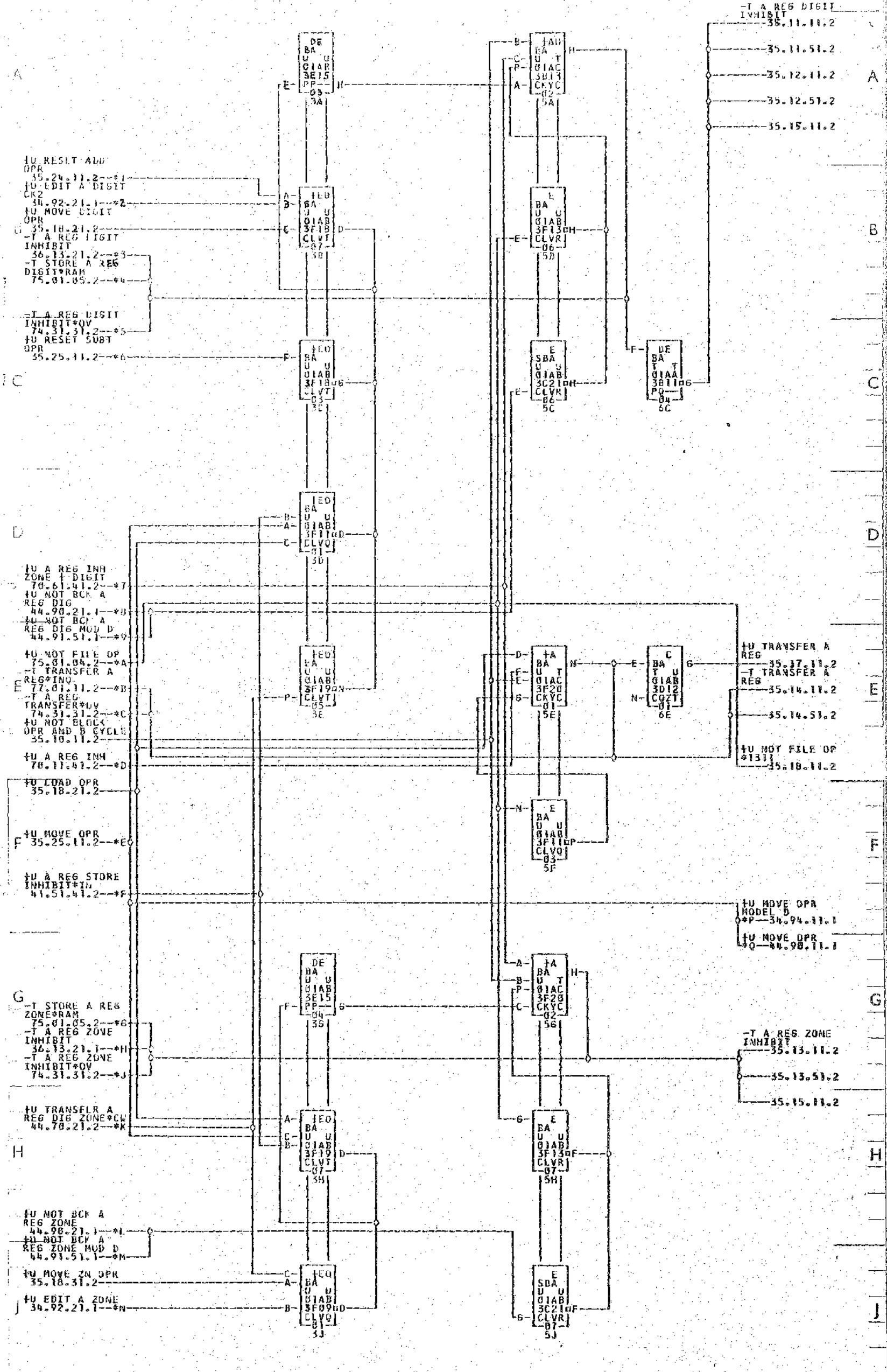
COMMENTS

TAG DATE E.C.NO. TAG DATE E.C.NO. TAG DATE E.C.NO. TAG DATE E.C.NO.

R 01-27-63 JALCOT R 01-17-63 JALCOT

U.S. GOVERNMENT PRINTING OFFICE: 1965 O-508481

106  
 106  
 106



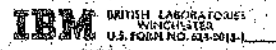
- \*1-01A3B24F      \*2-01A3F18B      --- DIRECT      \*5-01A3A22L      \*6-02B8E19A      \*3-01A3A23B      \*4-01A3E23H
- 02A9F11B      --- 02A8E24C      --- DIRECT      \*9-01A3C21E      \*7-01A3D23P      \*8-01A3C21E
- DIRECT      --- 02B8E01A      --- DIRECT      \*B-01A3E23L      \*9-01B7B02A      \*A-01A3E23P
- 02A9F15B      --- 02A8E24E      --- \*B-01A3E23L      \*C-01A3A22N      \*D-01A3D23H      \*E-01A3A26F
- \*F-01A3F23H      \*G-01A3E23N      --- 02A8C02N      \*4-02A8E24D      \*H-01A3A23C      \*J-01A3A22H
- \*K-01A3D23O      \*L-01A3C21G      --- DIRECT      \*8-02B8E01B      \*M-01A3A23C      --- DIRECT
- 01B7B02B      \*N-01A3B26R      --- DIRECT      \*9-02B8E19H      \*P-01A3A26F      --- DIRECT
- 01B7B02H      \*O-01A3A26F      --- DIRECT      \*0-02B8E01H

NOTE NOT LIFT UP SIGNAL TO 35.18.11.2  
 NOT PRESENT WITH 1405 ATTACHED

COMMENTS

TAB DATE E.C.NO.    TAB DATE E.C.NO.    TAB DATE E.C.NO.    TAB DATE E.C.NO.

A 04-02-63 TA1607    B 04-17-63 TA1607B    C 01-14-64 TA1988B



1780903

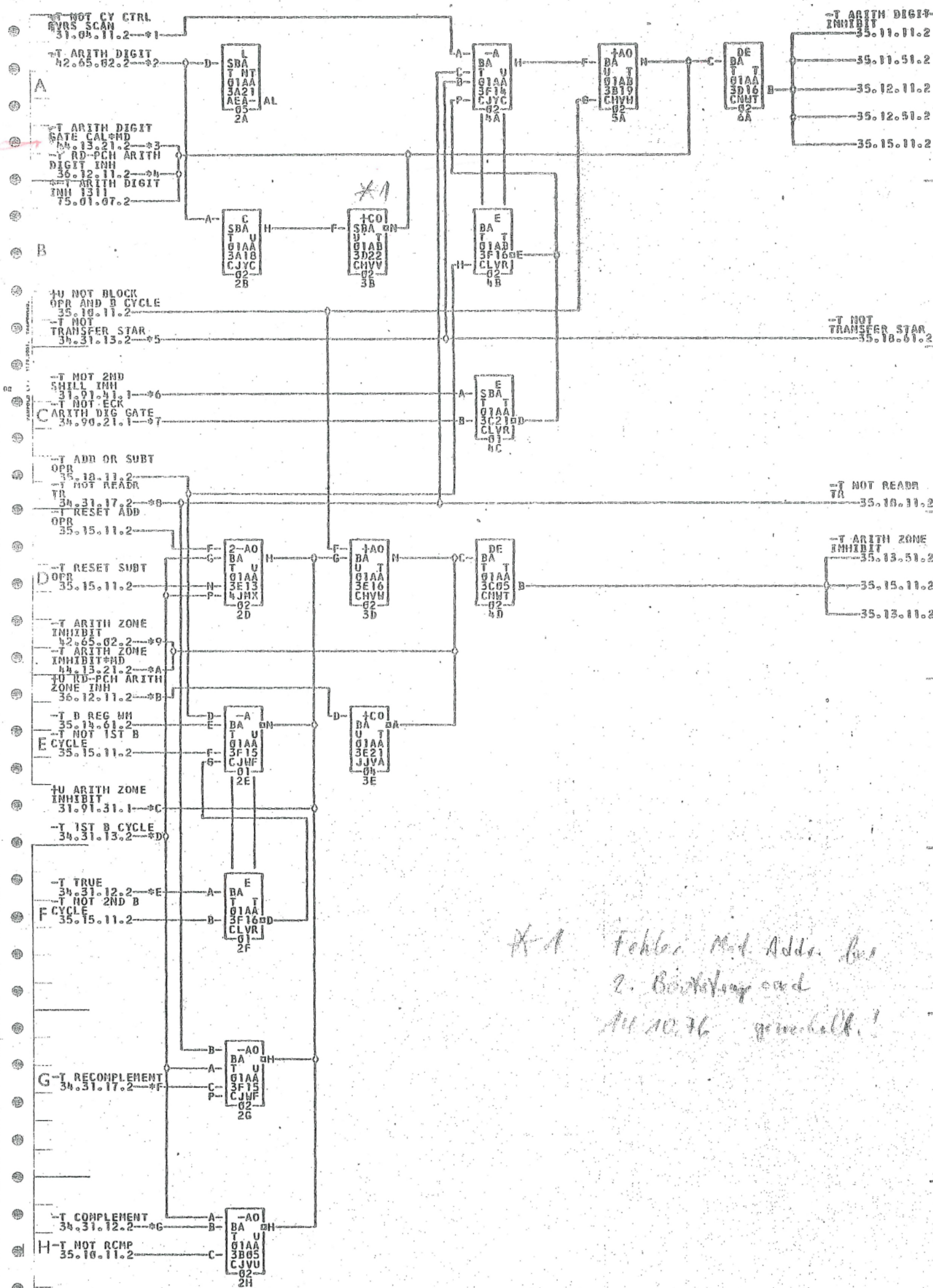


Q789994

ARITHMETIC INHIBIT CONTROL

1481SBA

35.18.51.2

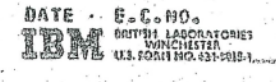


*\*A Fehler Mod. Addr. bei  
2. Bauform und  
AU 10.76 gemacht!*

- \*1-01A3D24J
- \*2-01A3F25P
- \*3-01A3E23C
- \*4-01A3A23E
- \*5-01A3C25R
- \*6-01A3B23M
- \*7-01A3C21B
- \*8-DIRECT
- \*9-01B3D04N
- \*0-01A3C25M
- \*1-01A3C25H
- \*2-01A3E23K
- \*3-01A3A23F
- \*4-01A3B23D
- \*5-01A3C25J
- \*6-01A3C26M
- \*7-01A3C25H

NOTE ASTERISK PRECEDING SIGNAL INDICATES DIRECT CABLE EXPANSION

TAG DATE E.C.NO. TAG DATE E.C.NO. TAG DATE E.C.NO. TAG DATE E.C.NO.  
 A 04-02-63 TAT607 B 04-17-63 TAT607B



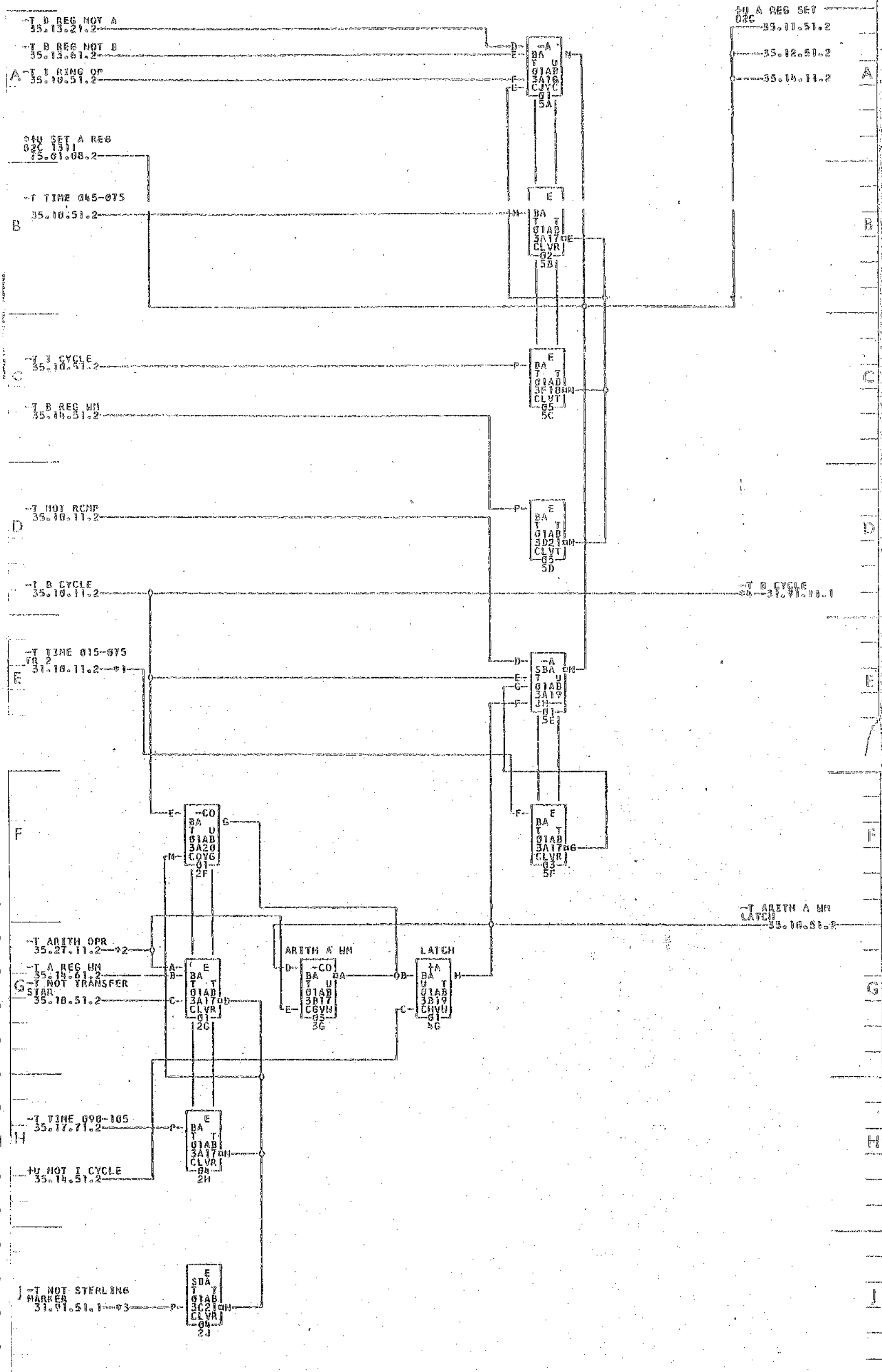
100004

0789995

A REG SET 02C AND ARITH' M LATCH

160158A

33.10.01.2



#1--01A3B25R    #2--01A3B24A    #3--01A3B23A    #4--01A3B23J    #5--02B0D01J

D 9-1-63  
TA 1806A

E 10-4-68  
TA 1815A

01A2  
CONN  
BA  
01BA  
1A01  
-01-  
2A

01B4  
CONN  
BA  
01BA  
1A02  
-01-  
3A

NOTE 1  
IFC  
CONN  
OPT  
01BA  
1A03  
-01-  
4A

01A4  
CONN  
BA  
01BA  
1B01  
-01-  
2B

01A3  
CONN  
BA  
01BA  
1B02  
-01-  
3B

01A5  
CONN  
BA  
01BA  
1B03  
-01-  
4B

01B2  
CONN  
BA  
01BA  
1C01  
-01-  
2C

01B5  
CONN  
BA  
01BA  
1C02  
-01-  
3C

NOTE 2  
IFC  
CONN  
OPT  
01BA  
1C03  
-01-  
4C

01B2  
CONN  
BA  
01BA  
1D01  
-01-  
2D

01B5  
CONN  
BA  
01BA  
1D02  
-01-  
3D

01A5  
CONN  
DS  
01BA  
1D03  
-01-  
4D

1403  
CONN  
BA  
01BA  
1E01  
-01-  
2E

01B3  
CONN  
BA  
01BA  
1E02  
-01-  
3E

01A6  
CONN  
BA  
01BA  
1E03  
-01-  
4E

1403  
CONN  
BA  
01BA  
1F01  
-01-  
2F

NOTE 3  
IFC  
CONN  
CF  
01BC  
1F02  
-01-  
3F

01A5  
CONN  
DS  
01BA  
1F03  
-01-  
4F

728758

NOTE	DATE	E.C.NO.	TAG	DATE	E.C.NO.	TAG	DATE	E.C.NO.	TAG	DATE	E.C.NO.
NOTE 1 - CABLE NECESSARY IF LATER ANY	02-21-62	116126A	01-16-63	116126A	01-16-62	116126A	01-16-62	116126A	01-16-62	116126A	01-16-62
NOTE 2 - THIS TABLE APPLIES TO ALL	01-16-63	116126A									
NOTE 3 - CABLE NECESSARY IF LATER ANY											

OR SEE TAG 1401 FOR DETAILS

0728610

OP REGISTER LATCH

1401 BA

35.21.11.2

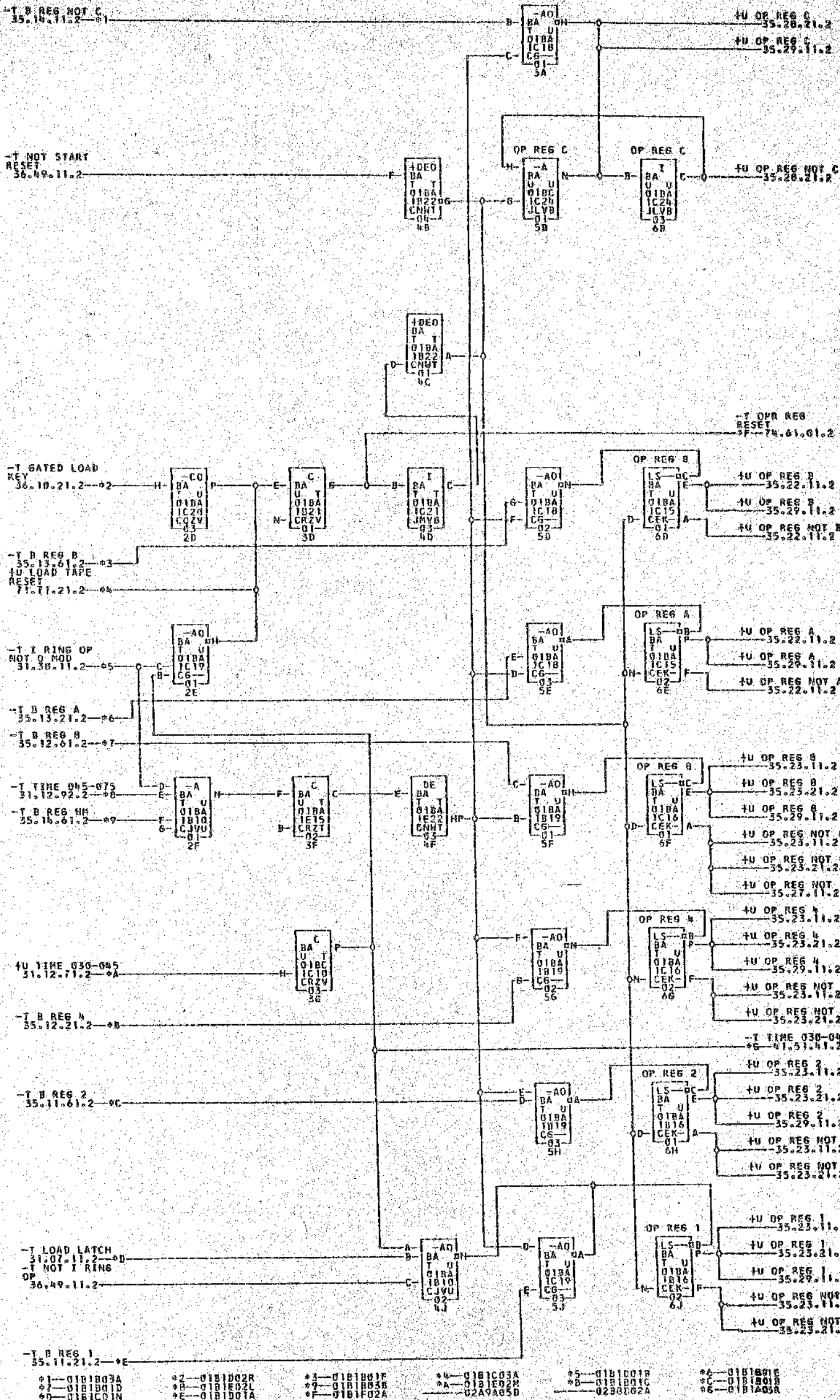
TAG DATE

B 28.9.62

TA 1344D

C 16.4.63

TA 1815A



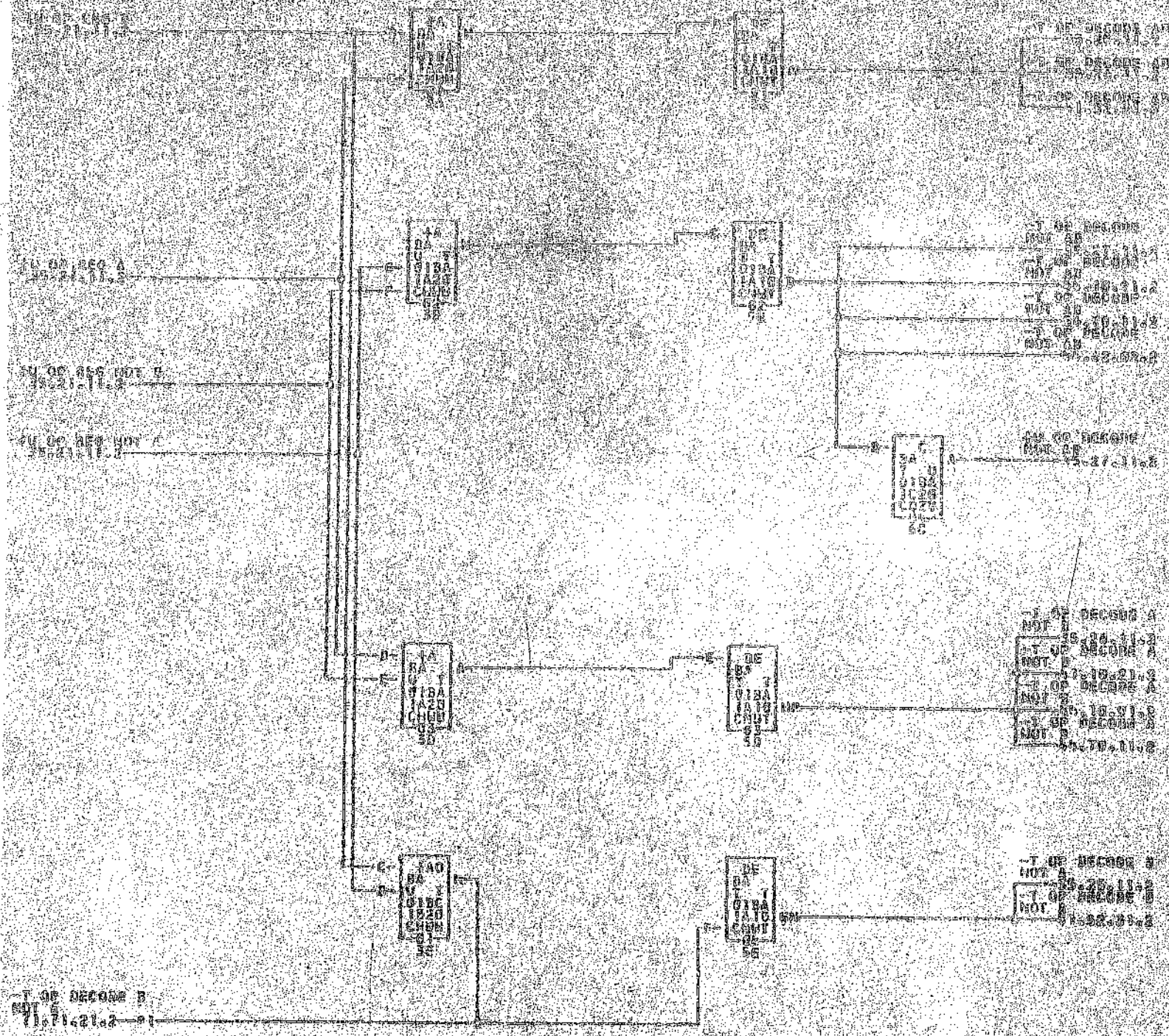
- \*1-01B1B03A
- \*2-01B1B02R
- \*3-01B1B01F
- \*4-01B1C03A
- \*5-01B1C01R
- \*6-01B1B01E
- \*7-01B1B01D
- \*8-01B1E02L
- \*9-01B1B03B
- \*A-01B1E02R
- \*B-01B1B01C
- \*C-01B1B01R
- \*D-01B1C01N
- \*E-01B1D01A
- \*F-01B1F02A
- \*G-02A9A85D
- \*H-02B0D02A
- \*I-02A6F19A
- \*J-02B6C05R

COMMENTS

TAG DATE E.C.NO. TAG DATE E.C.NO. TAG DATE E.C.NO. TAG DATE E.C.NO.

TA 12-04-61 112287C 0 06-05-62 114132A 01-10-63 116787

0015770160

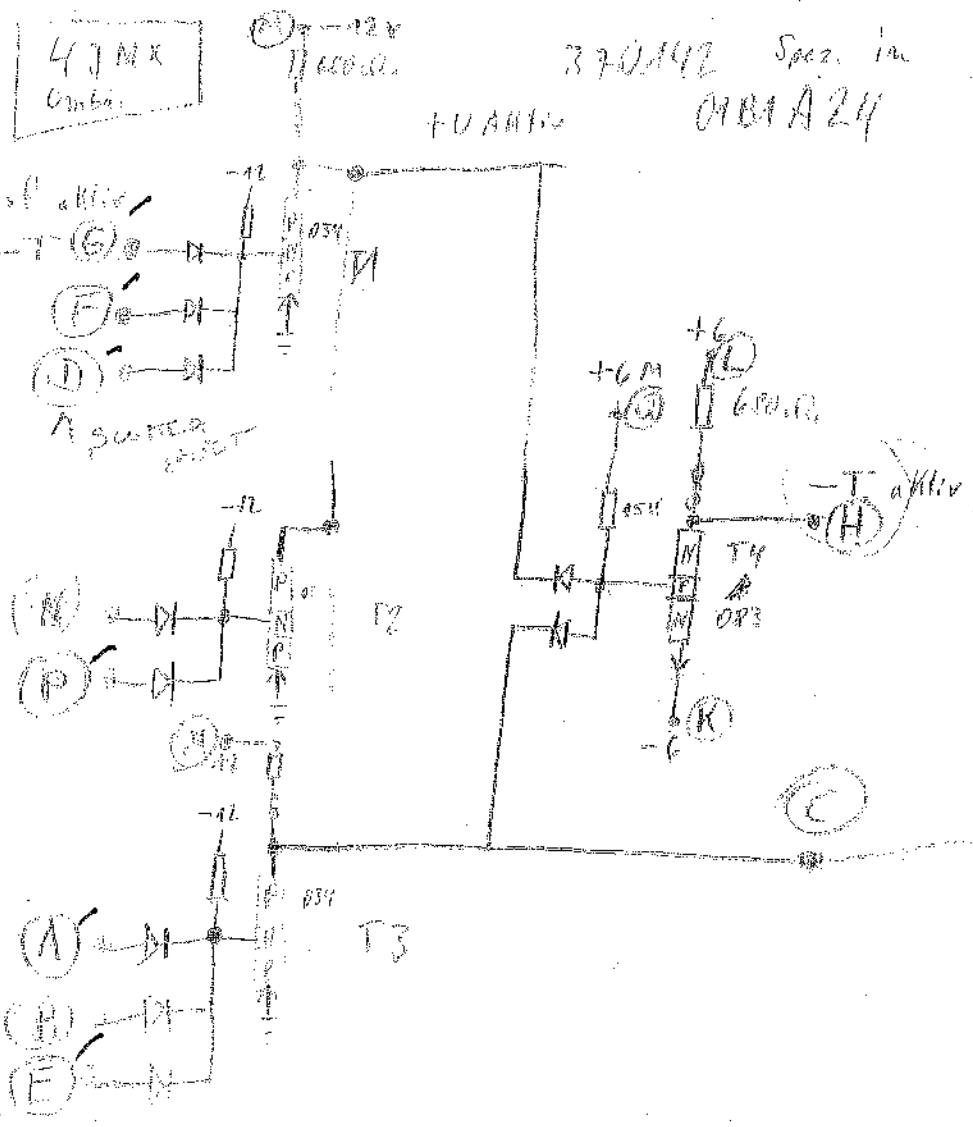


FILT  
BA  
C188  
C189  
C190

FILT  
BA  
C188  
C189  
C190

FILT  
BA  
C188  
C189  
C190

1200



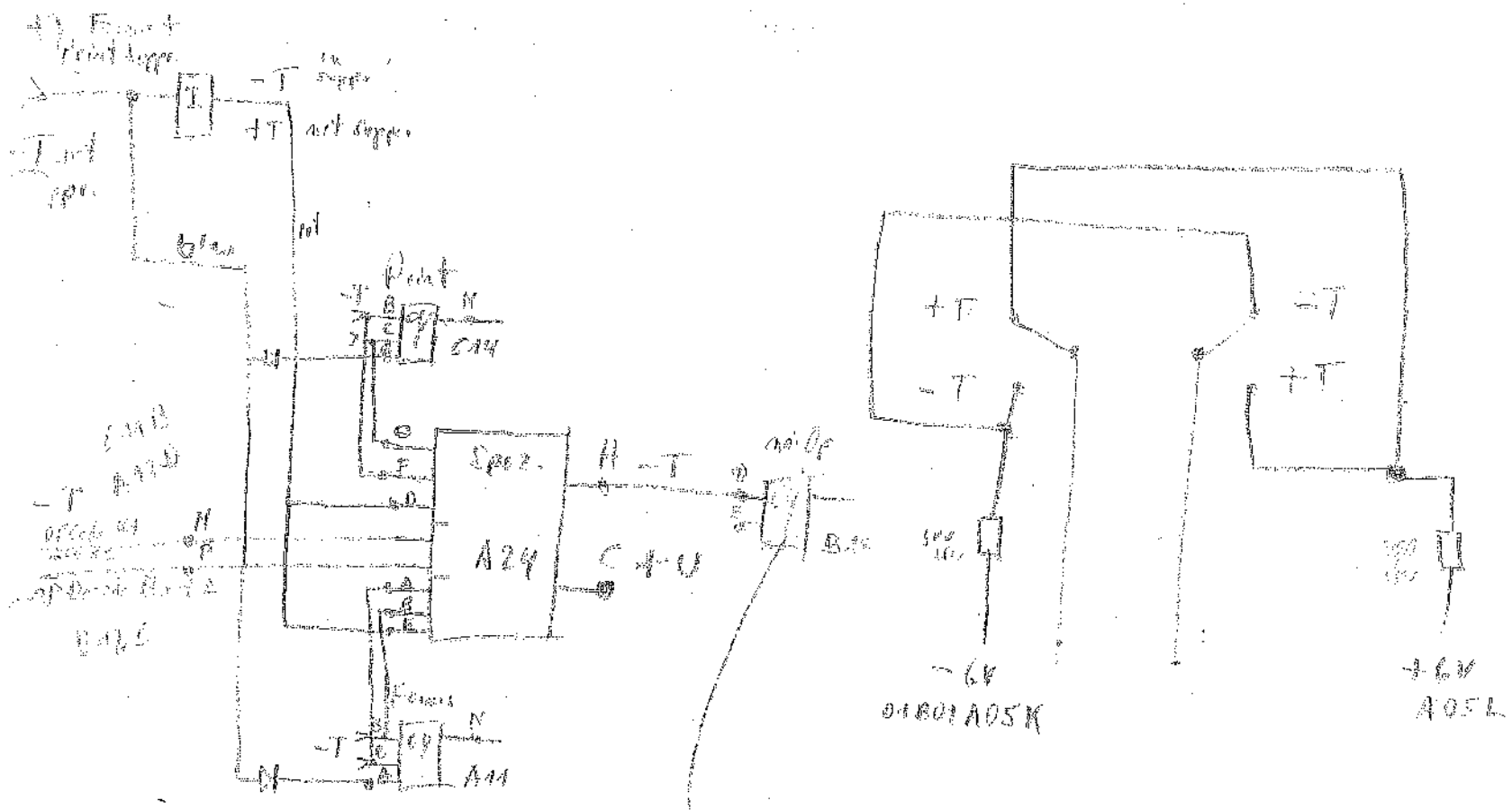
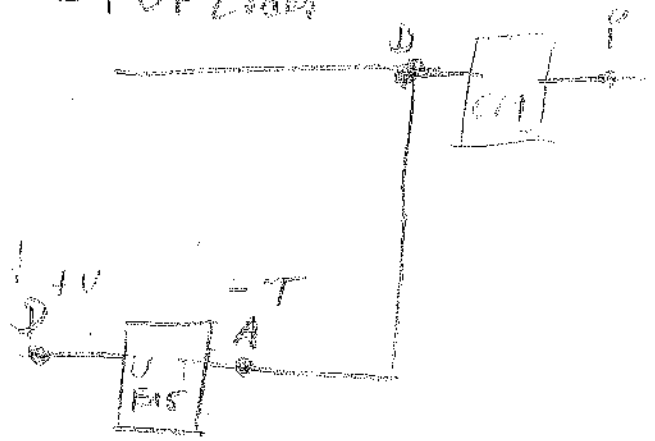
35.25.11  
29.  
27.

35.22.21  
CR2T A  
01BA24

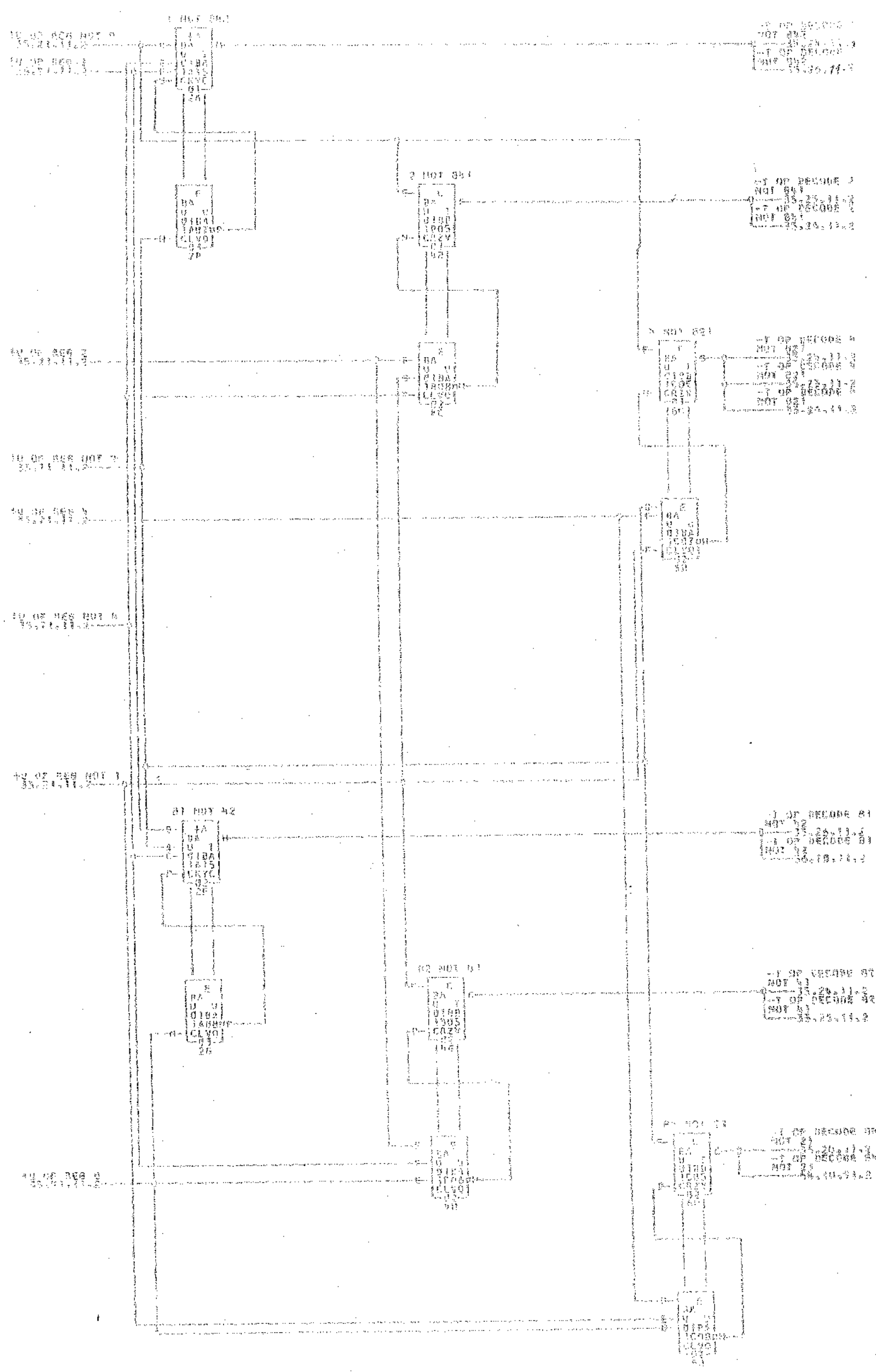
~~01BA24~~

35.28.31.2

-TOP Coder

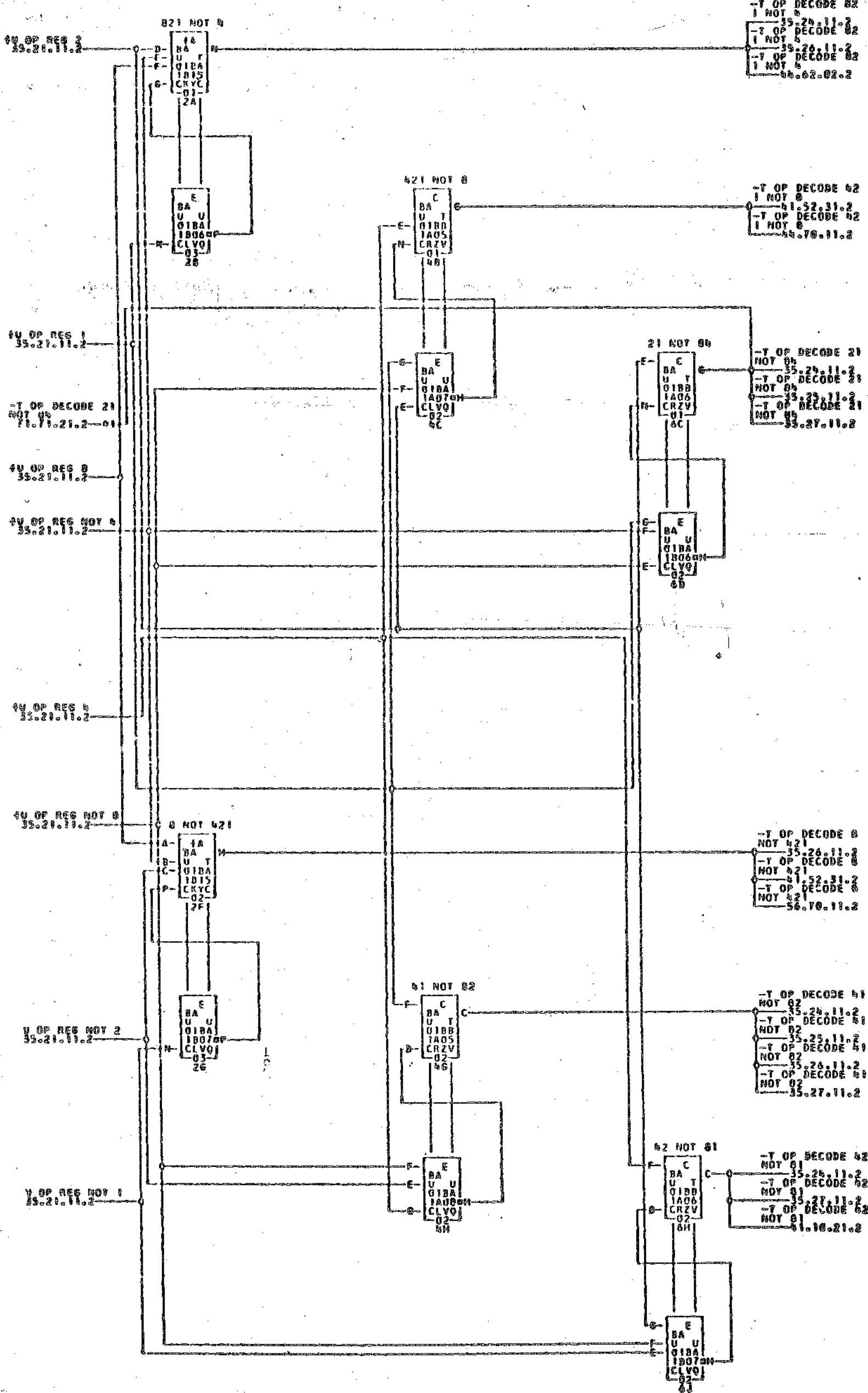


35 23 14  
1964.11.14



A 28.5.62  
TA 1344

B 16.4.63  
TA 1815A



01-8181038

724613  
A 8 15 A





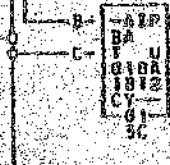
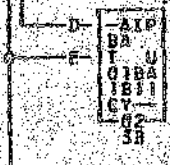
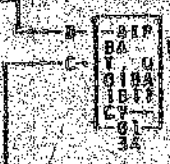
-Y OF DECODE 2  
NOT 84  
35.23.11.2

-Y OF DECODE 21  
NOT 84  
35.23.21.2

-Y OF DECODE 4  
NOT 82  
35.23.11.2  
-Y OF DECODE 5  
NOT 84  
35.22.11.2

-Y OF DECODE 82  
NOT 81  
35.23.11.2

-Y OF DECODE 41  
NOT 82  
35.23.21.2



- 31-31.05.11.2
- 32-32.05.11.2
- 33-33.05.11.2
- 34-34.05.11.2
- 35-35.05.11.2
- 36-36.05.11.2
- 37-37.05.11.2
- 38-38.05.11.2
- 39-39.05.11.2
- 40-40.05.11.2
- 41-41.05.11.2
- 42-42.05.11.2
- 43-43.05.11.2
- 44-44.05.11.2
- 45-45.05.11.2
- 46-46.05.11.2
- 47-47.05.11.2
- 48-48.05.11.2
- 49-49.05.11.2
- 50-50.05.11.2
- 51-51.05.11.2
- 52-52.05.11.2
- 53-53.05.11.2
- 54-54.05.11.2
- 55-55.05.11.2
- 56-56.05.11.2
- 57-57.05.11.2
- 58-58.05.11.2
- 59-59.05.11.2
- 60-60.05.11.2
- 61-61.05.11.2
- 62-62.05.11.2
- 63-63.05.11.2
- 64-64.05.11.2
- 65-65.05.11.2
- 66-66.05.11.2
- 67-67.05.11.2
- 68-68.05.11.2
- 69-69.05.11.2
- 70-70.05.11.2
- 71-71.05.11.2
- 72-72.05.11.2
- 73-73.05.11.2
- 74-74.05.11.2
- 75-75.05.11.2
- 76-76.05.11.2
- 77-77.05.11.2
- 78-78.05.11.2
- 79-79.05.11.2
- 80-80.05.11.2
- 81-81.05.11.2
- 82-82.05.11.2
- 83-83.05.11.2
- 84-84.05.11.2
- 85-85.05.11.2
- 86-86.05.11.2
- 87-87.05.11.2
- 88-88.05.11.2
- 89-89.05.11.2
- 90-90.05.11.2
- 91-91.05.11.2
- 92-92.05.11.2
- 93-93.05.11.2
- 94-94.05.11.2
- 95-95.05.11.2
- 96-96.05.11.2
- 97-97.05.11.2
- 98-98.05.11.2
- 99-99.05.11.2
- 100-100.05.11.2

C 7.2.60  
TA 1036A

D 16.4.68  
TA 1415A

- 101-101.05.11.2
- 102-102.05.11.2
- 103-103.05.11.2
- 104-104.05.11.2
- 105-105.05.11.2
- 106-106.05.11.2
- 107-107.05.11.2
- 108-108.05.11.2
- 109-109.05.11.2
- 110-110.05.11.2
- 111-111.05.11.2
- 112-112.05.11.2
- 113-113.05.11.2
- 114-114.05.11.2
- 115-115.05.11.2
- 116-116.05.11.2
- 117-117.05.11.2
- 118-118.05.11.2
- 119-119.05.11.2
- 120-120.05.11.2
- 121-121.05.11.2
- 122-122.05.11.2
- 123-123.05.11.2
- 124-124.05.11.2
- 125-125.05.11.2
- 126-126.05.11.2
- 127-127.05.11.2
- 128-128.05.11.2
- 129-129.05.11.2
- 130-130.05.11.2
- 131-131.05.11.2
- 132-132.05.11.2
- 133-133.05.11.2
- 134-134.05.11.2
- 135-135.05.11.2
- 136-136.05.11.2
- 137-137.05.11.2
- 138-138.05.11.2
- 139-139.05.11.2
- 140-140.05.11.2
- 141-141.05.11.2
- 142-142.05.11.2
- 143-143.05.11.2
- 144-144.05.11.2
- 145-145.05.11.2
- 146-146.05.11.2
- 147-147.05.11.2
- 148-148.05.11.2
- 149-149.05.11.2
- 150-150.05.11.2
- 151-151.05.11.2
- 152-152.05.11.2
- 153-153.05.11.2
- 154-154.05.11.2
- 155-155.05.11.2
- 156-156.05.11.2
- 157-157.05.11.2
- 158-158.05.11.2
- 159-159.05.11.2
- 160-160.05.11.2
- 161-161.05.11.2
- 162-162.05.11.2
- 163-163.05.11.2
- 164-164.05.11.2
- 165-165.05.11.2
- 166-166.05.11.2
- 167-167.05.11.2
- 168-168.05.11.2
- 169-169.05.11.2
- 170-170.05.11.2
- 171-171.05.11.2
- 172-172.05.11.2
- 173-173.05.11.2
- 174-174.05.11.2
- 175-175.05.11.2
- 176-176.05.11.2
- 177-177.05.11.2
- 178-178.05.11.2
- 179-179.05.11.2
- 180-180.05.11.2
- 181-181.05.11.2
- 182-182.05.11.2
- 183-183.05.11.2
- 184-184.05.11.2
- 185-185.05.11.2
- 186-186.05.11.2
- 187-187.05.11.2
- 188-188.05.11.2
- 189-189.05.11.2
- 190-190.05.11.2
- 191-191.05.11.2
- 192-192.05.11.2
- 193-193.05.11.2
- 194-194.05.11.2
- 195-195.05.11.2
- 196-196.05.11.2
- 197-197.05.11.2
- 198-198.05.11.2
- 199-199.05.11.2
- 200-200.05.11.2

01  
02  
03  
04  
05  
06  
07  
08  
09  
10  
11  
12  
13  
14  
15  
16  
17  
18  
19  
20  
21  
22  
23  
24  
25  
26  
27  
28  
29  
30  
31  
32  
33  
34  
35  
36  
37  
38  
39  
40  
41  
42  
43  
44  
45  
46  
47  
48  
49  
50  
51  
52  
53  
54  
55  
56  
57  
58  
59  
60  
61  
62  
63  
64  
65  
66  
67  
68  
69  
70  
71  
72  
73  
74  
75  
76  
77  
78  
79  
80  
81  
82  
83  
84  
85  
86  
87  
88  
89  
90  
91  
92  
93  
94  
95  
96  
97  
98  
99  
100

01  
02  
03  
04  
05  
06  
07  
08  
09  
10  
11  
12  
13  
14  
15  
16  
17  
18  
19  
20  
21  
22  
23  
24  
25  
26  
27  
28  
29  
30  
31  
32  
33  
34  
35  
36  
37  
38  
39  
40  
41  
42  
43  
44  
45  
46  
47  
48  
49  
50  
51  
52  
53  
54  
55  
56  
57  
58  
59  
60  
61  
62  
63  
64  
65  
66  
67  
68  
69  
70  
71  
72  
73  
74  
75  
76  
77  
78  
79  
80  
81  
82  
83  
84  
85  
86  
87  
88  
89  
90  
91  
92  
93  
94  
95  
96  
97  
98  
99  
100

01  
02  
03  
04  
05  
06  
07  
08  
09  
10  
11  
12  
13  
14  
15  
16  
17  
18  
19  
20  
21  
22  
23  
24  
25  
26  
27  
28  
29  
30  
31  
32  
33  
34  
35  
36  
37  
38  
39  
40  
41  
42  
43  
44  
45  
46  
47  
48  
49  
50  
51  
52  
53  
54  
55  
56  
57  
58  
59  
60  
61  
62  
63  
64  
65  
66  
67  
68  
69  
70  
71  
72  
73  
74  
75  
76  
77  
78  
79  
80  
81  
82  
83  
84  
85  
86  
87  
88  
89  
90  
91  
92  
93  
94  
95  
96  
97  
98  
99  
100

01  
02  
03  
04  
05  
06  
07  
08  
09  
10  
11  
12  
13  
14  
15  
16  
17  
18  
19  
20  
21  
22  
23  
24  
25  
26  
27  
28  
29  
30  
31  
32  
33  
34  
35  
36  
37  
38  
39  
40  
41  
42  
43  
44  
45  
46  
47  
48  
49  
50  
51  
52  
53  
54  
55  
56  
57  
58  
59  
60  
61  
62  
63  
64  
65  
66  
67  
68  
69  
70  
71  
72  
73  
74  
75  
76  
77  
78  
79  
80  
81  
82  
83  
84  
85  
86  
87  
88  
89  
90  
91  
92  
93  
94  
95  
96  
97  
98  
99  
100

01  
02  
03  
04  
05  
06  
07  
08  
09  
10  
11  
12  
13  
14  
15  
16  
17  
18  
19  
20  
21  
22  
23  
24  
25  
26  
27  
28  
29  
30  
31  
32  
33  
34  
35  
36  
37  
38  
39  
40  
41  
42  
43  
44  
45  
46  
47  
48  
49  
50  
51  
52  
53  
54  
55  
56  
57  
58  
59  
60  
61  
62  
63  
64  
65  
66  
67  
68  
69  
70  
71  
72  
73  
74  
75  
76  
77  
78  
79  
80  
81  
82  
83  
84  
85  
86  
87  
88  
89  
90  
91  
92  
93  
94  
95  
96  
97  
98  
99  
100

01  
02  
03  
04  
05  
06  
07  
08  
09  
10  
11  
12  
13  
14  
15  
16  
17  
18  
19  
20  
21  
22  
23  
24  
25  
26  
27  
28  
29  
30  
31  
32  
33  
34  
35  
36  
37  
38  
39  
40  
41  
42  
43  
44  
45  
46  
47  
48  
49  
50  
51  
52  
53  
54  
55  
56  
57  
58  
59  
60  
61  
62  
63  
64  
65  
66  
67  
68  
69  
70  
71  
72  
73  
74  
75  
76  
77  
78  
79  
80  
81  
82  
83  
84  
85  
86  
87  
88  
89  
90  
91  
92  
93  
94  
95  
96  
97  
98  
99  
100

107

1 OF RECORD A

2 OF RECORD B

3 OF RECORD C

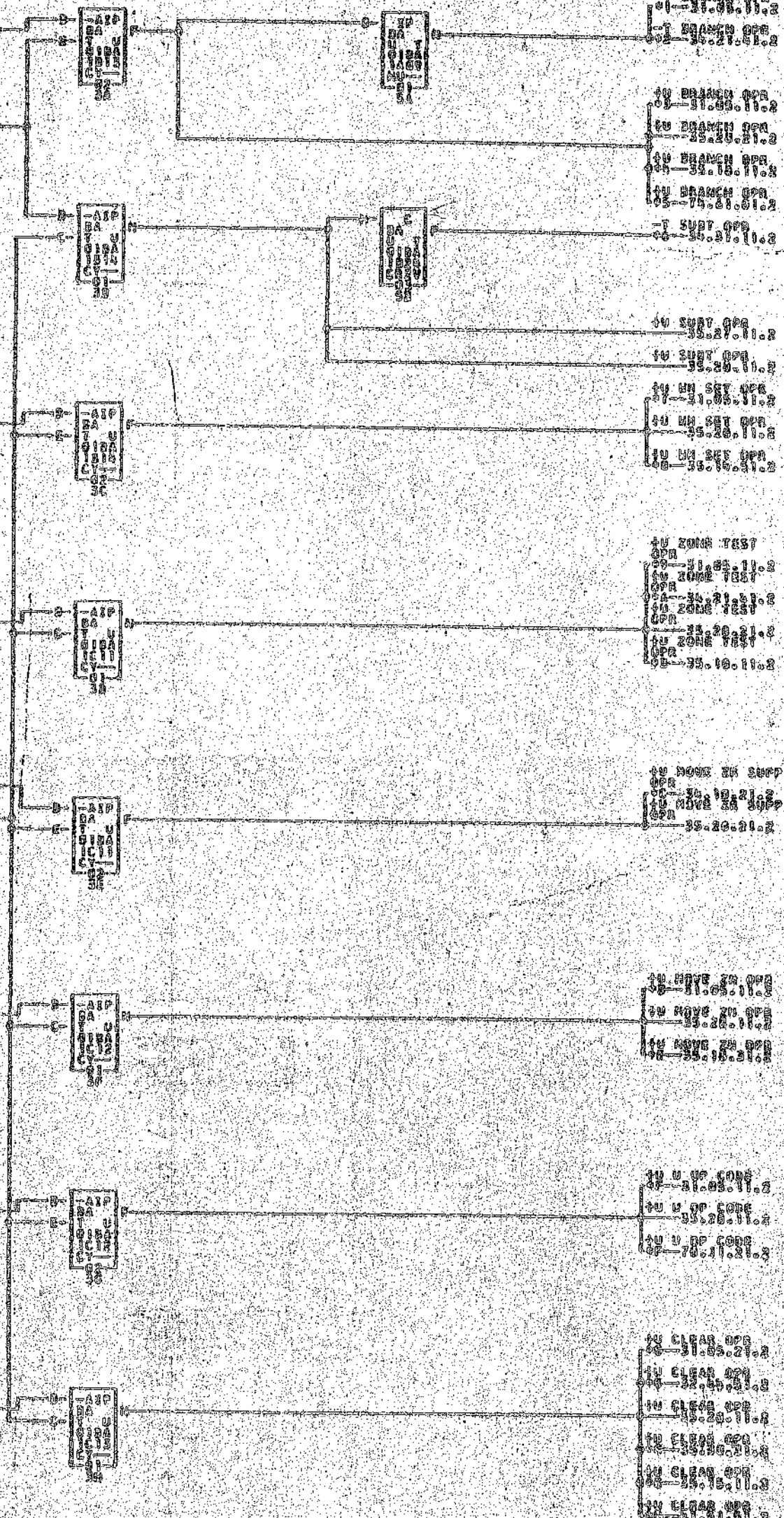
4 OF RECORD D

5 OF RECORD E

6 OF RECORD F

7 OF RECORD G

8 OF RECORD H



- 11 BRANCH OPR 31.03.11.2
- 12 BRANCH OPR 32.03.11.2
- 13 BRANCH OPR 33.03.11.2
- 14 BRANCH OPR 34.03.11.2
- 15 BRANCH OPR 35.03.11.2
- 16 SUBT OPR 36.03.11.2
- 17 SUBT OPR 37.03.11.2
- 18 SUBT OPR 38.03.11.2
- 19 SUBT OPR 39.03.11.2
- 20 SUBT OPR 40.03.11.2
- 21 ZONE TEST OPR 41.03.11.2
- 22 ZONE TEST OPR 42.03.11.2
- 23 ZONE TEST OPR 43.03.11.2
- 24 ZONE TEST OPR 44.03.11.2
- 25 ZONE TEST OPR 45.03.11.2
- 26 MOVE IN OPR 46.03.11.2
- 27 MOVE IN OPR 47.03.11.2
- 28 MOVE IN OPR 48.03.11.2
- 29 U OF CORR 49.03.11.2
- 30 U OF CORR 50.03.11.2
- 31 U OF CORR 51.03.11.2
- 32 CLEAR OPR 52.03.11.2
- 33 CLEAR OPR 53.03.11.2
- 34 CLEAR OPR 54.03.11.2
- 35 CLEAR OPR 55.03.11.2
- 36 CLEAR OPR 56.03.11.2
- 37 CLEAR OPR 57.03.11.2

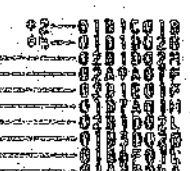
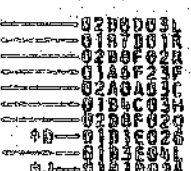
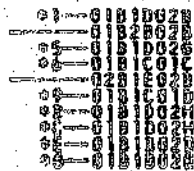
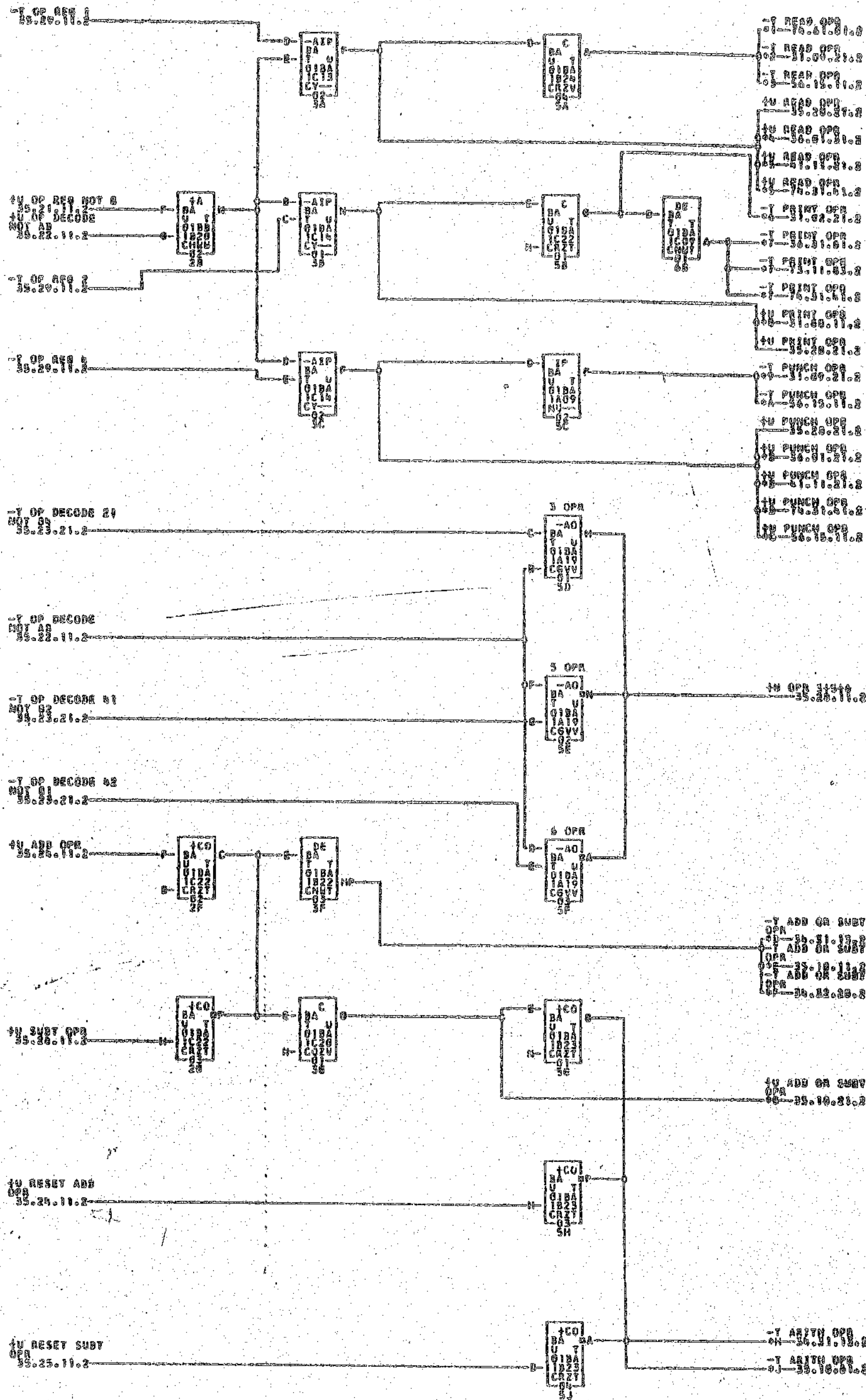
A 28.5.68  
 TA 1344  
 B 16.4.68  
 TA 1315A



CONTENTS

DATE: 11.10.68 TAG DATE: 30.10.11.2 TAG DATE: 30.10.11.2 TAG DATE: 30.10.11.2 TAG DATE: 30.10.11.2

1-1015-1  
 12/10/68



COMMENTS

TAG DATE: 12-04-61 FILE NO: 1122472 TAG DATE: 09-05-62 FILE NO: 1151324 TAG DATE: 07-26-62 FILE NO: 1154230 TAG DATE: 03-12-63 FILE NO: 1157230

1015 A 724617

0128610

EVEN PARITY OPERATIONS CHECK

35.28.11.2

TAG DATE

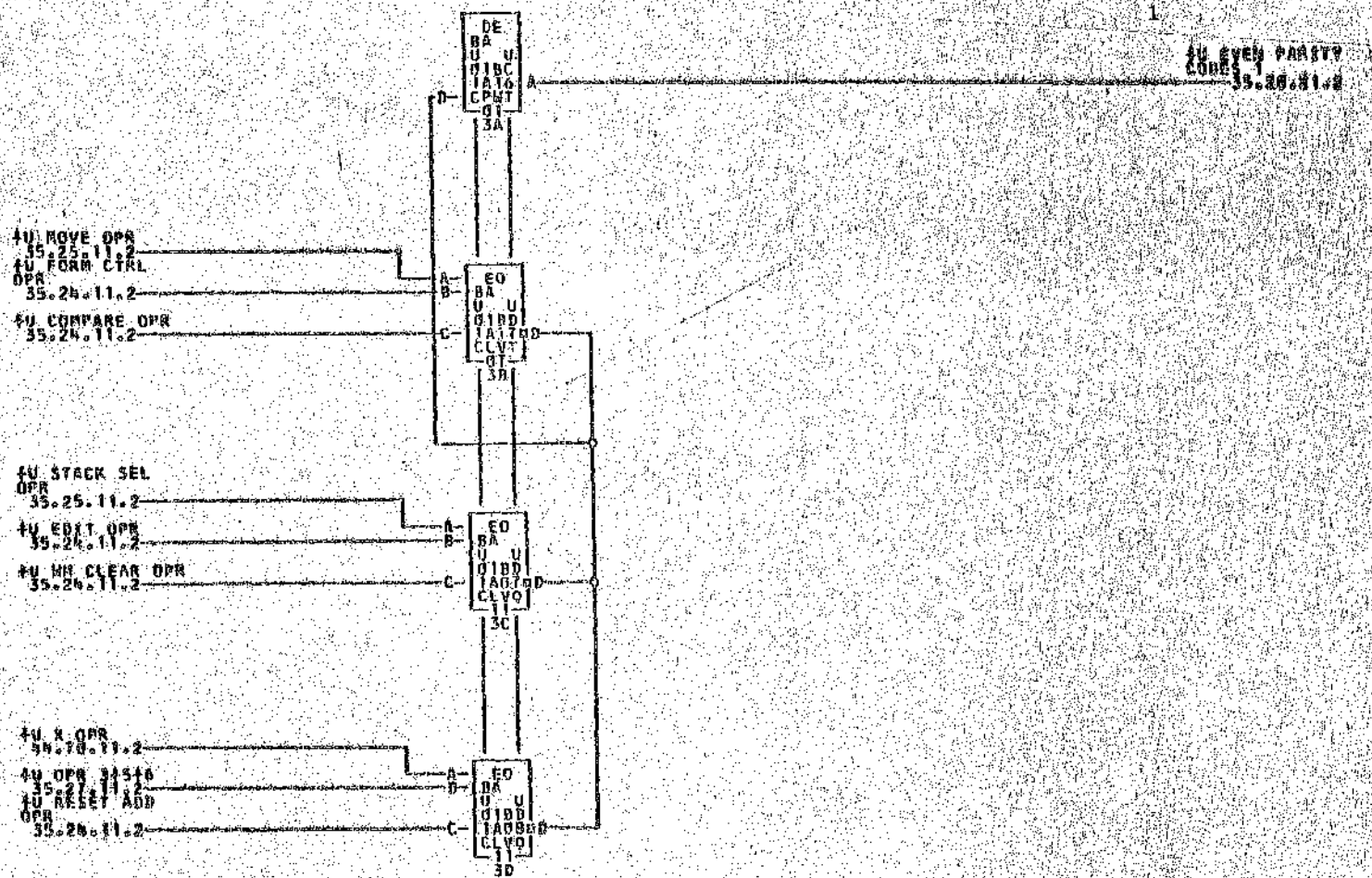
C 16.4.63

TA 185A

D 18.6.63

TA 186A

EV EVEN PARITY CODE 35.28.11.2

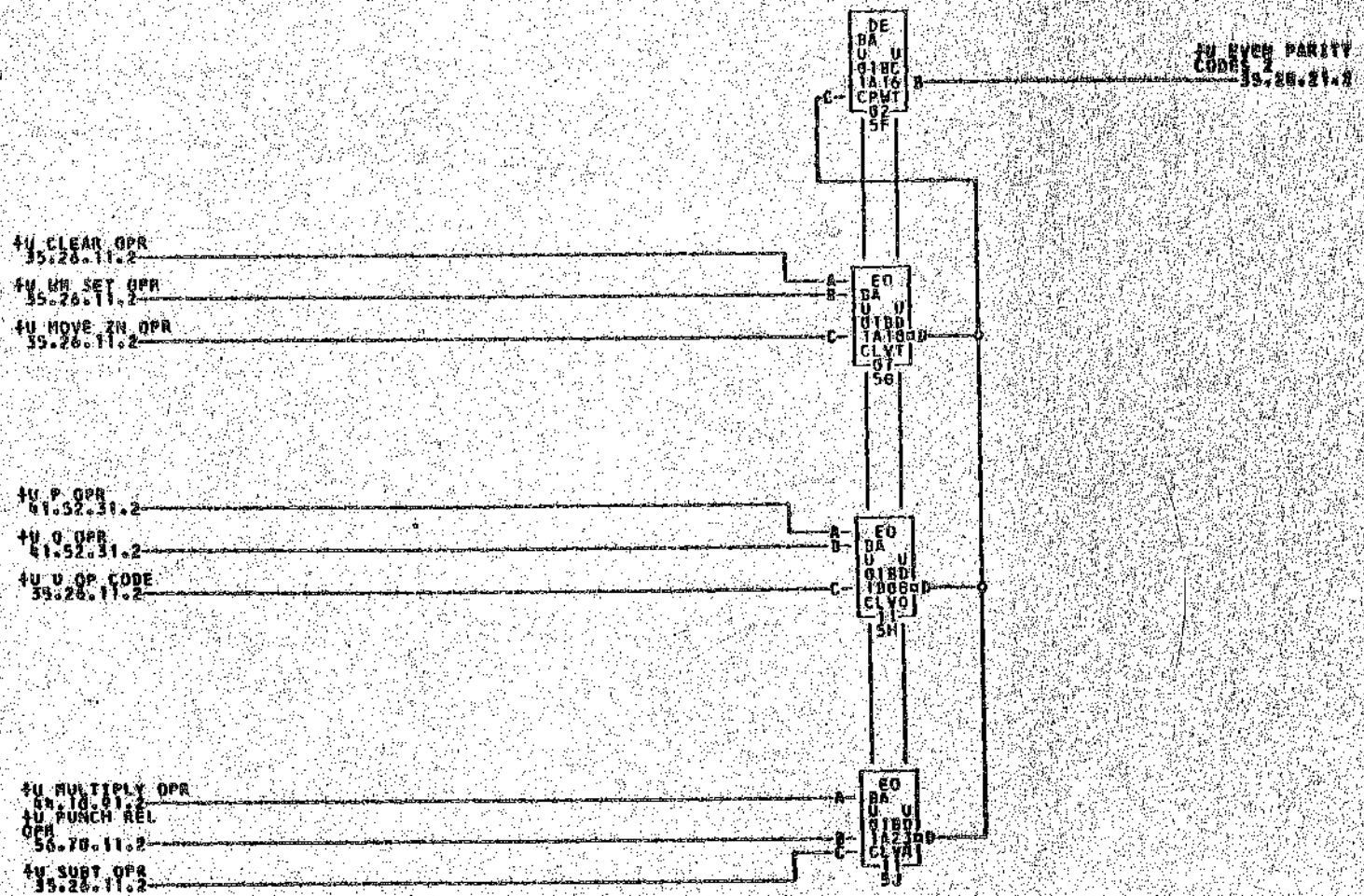


INT R.C.-NOT 35.01.11.2

INT R.C.-NOT 35.18.11.2



EV EVEN PARITY CODE 35.28.11.2



01-0101002P

02-01010020

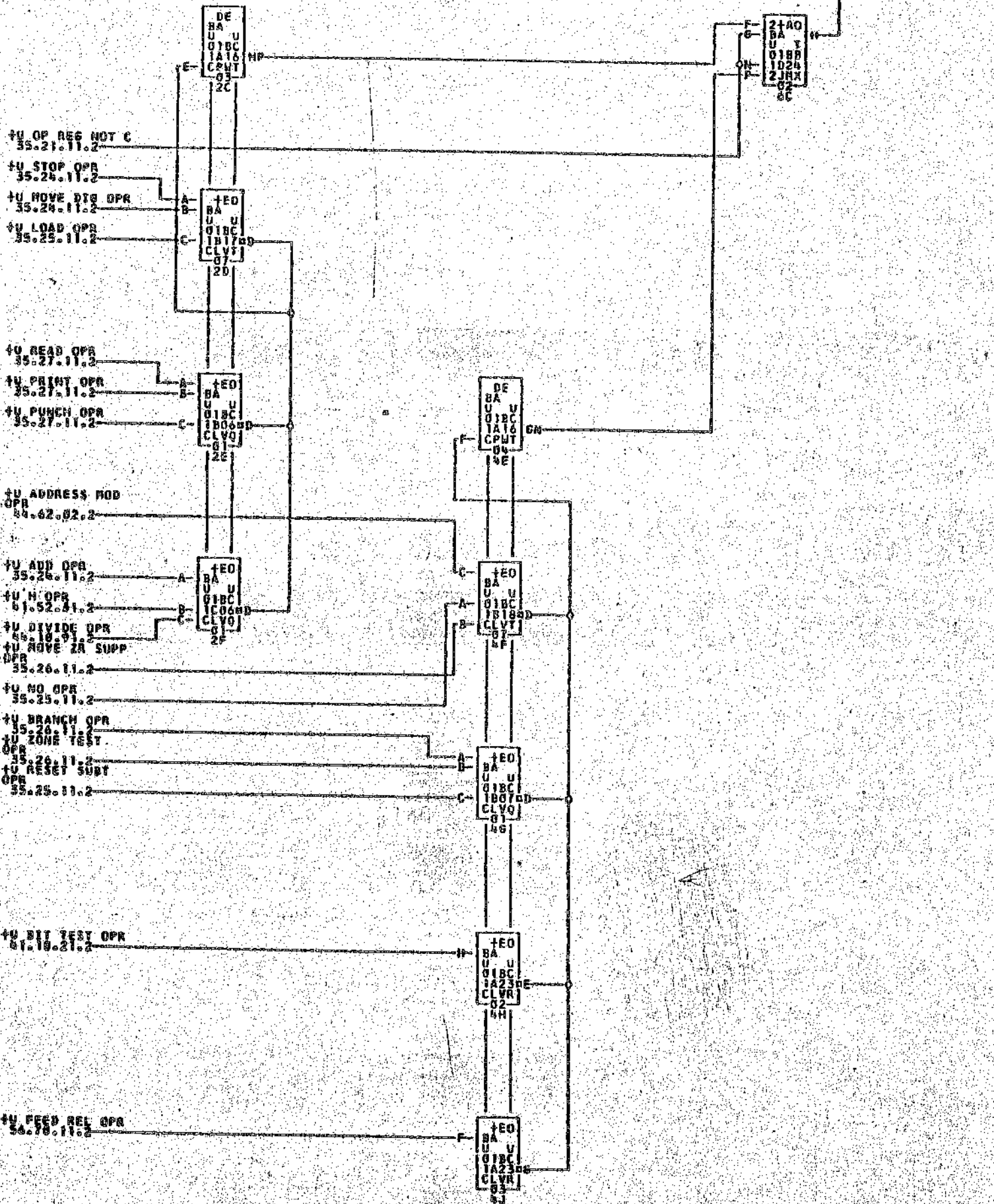
0101003Q

1850

4U EVEN PARITY  
CODES 1  
35.28.11.2

4U OP REG C  
35.21.11.2

4U EVEN PARITY  
CODES 2  
35.28.11.2



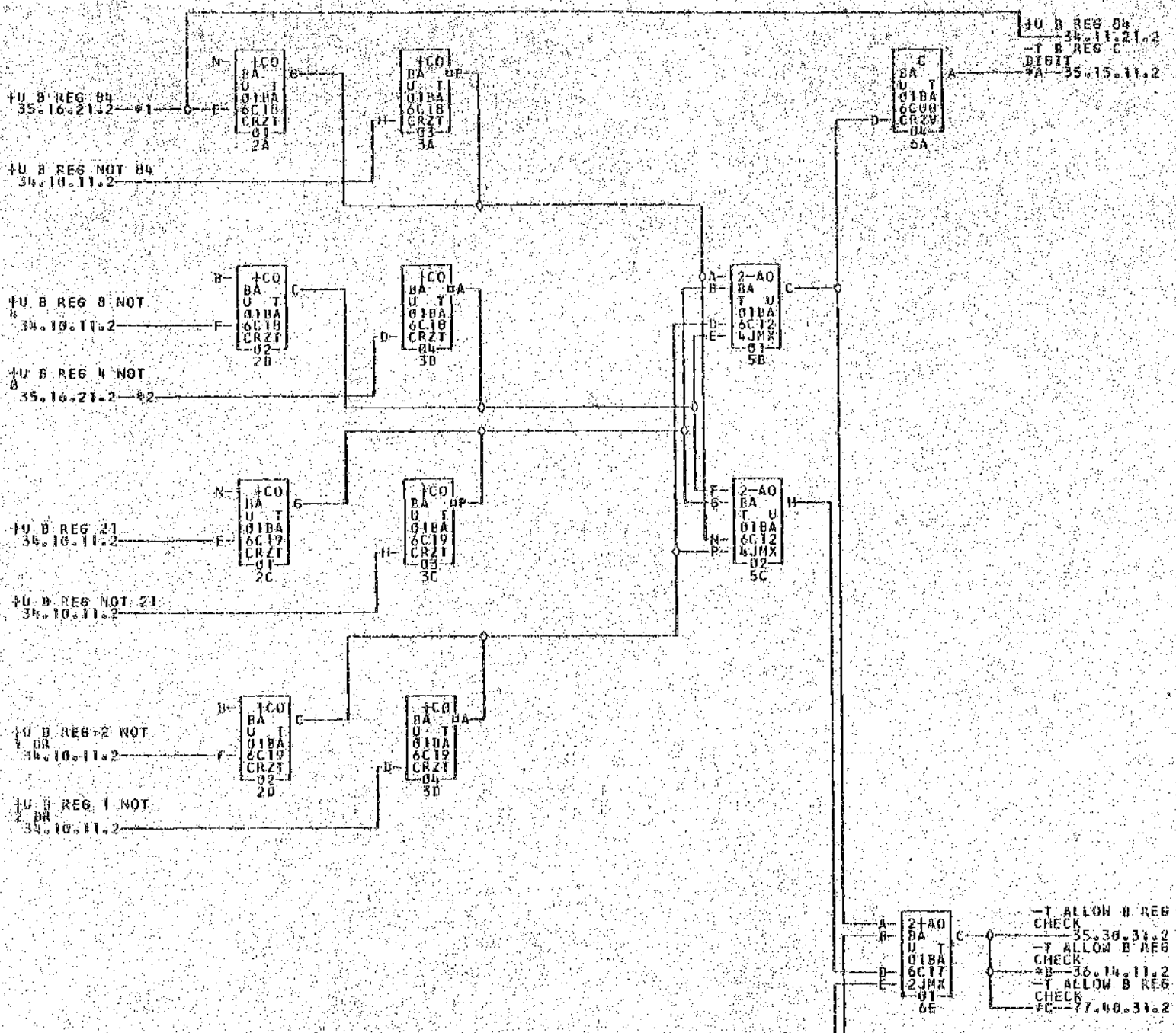
B26.9.62  
TA 1344D  
C 16.4.63  
TA 1815A

1975 A  
72619

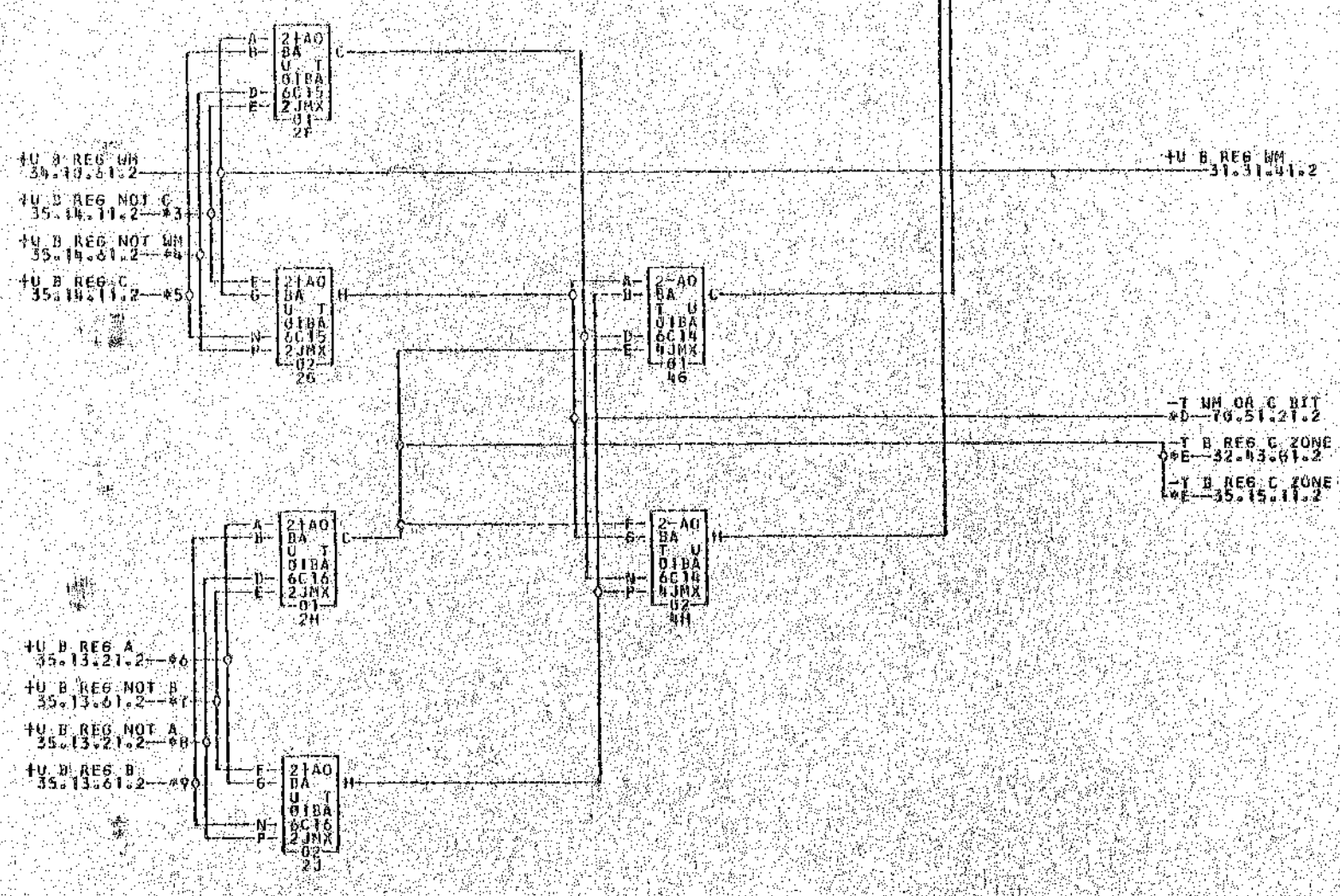








12.7.62  
 TA 1370F  
 C 5.3.63  
 TA 1771A



- \*1-01B6D02E
- \*2-01B6D026
- \*3-01B6L02R
- \*4-01B6H02Q
- \*5-01B6E02Q
- \*6-01B6D02A
- \*7-01B6C02A
- \*8-01B6C02B
- \*9-01B6D02C
- \*A-01B6C02N
- \*B-01D6A03H
- \*C-01B6C03L
- \*D-01A6F25L
- \*E-01A6A24L
- \*F-01A6D02L
- \*G-01A3C22P
- \*H-01B6A01H
- \*I-01B6D01R
- \*J-01A3A20Q
- \*K-01B6C01M
- \*L-01A6E25L
- \*M-01A1D02L
- \*N-01B1A02R
- \*O-01B6E25Q
- \*P-01A3A25L
- \*Q-01B6C03R
- \*R-02A0F19B
- \*S-02A2C23R

COMMENTS TAG DATE E.C.NO. TAG DATE E.C.NO. TAG DATE E.C.NO. TAG DATE E.C.NO.

A 12-10-61 113530 B 05-01-62 116138 C 12-11-62 114178

729190

0729191

A AND B REGISTER CHECK LAYERS

1401 RA

55.30.31.2

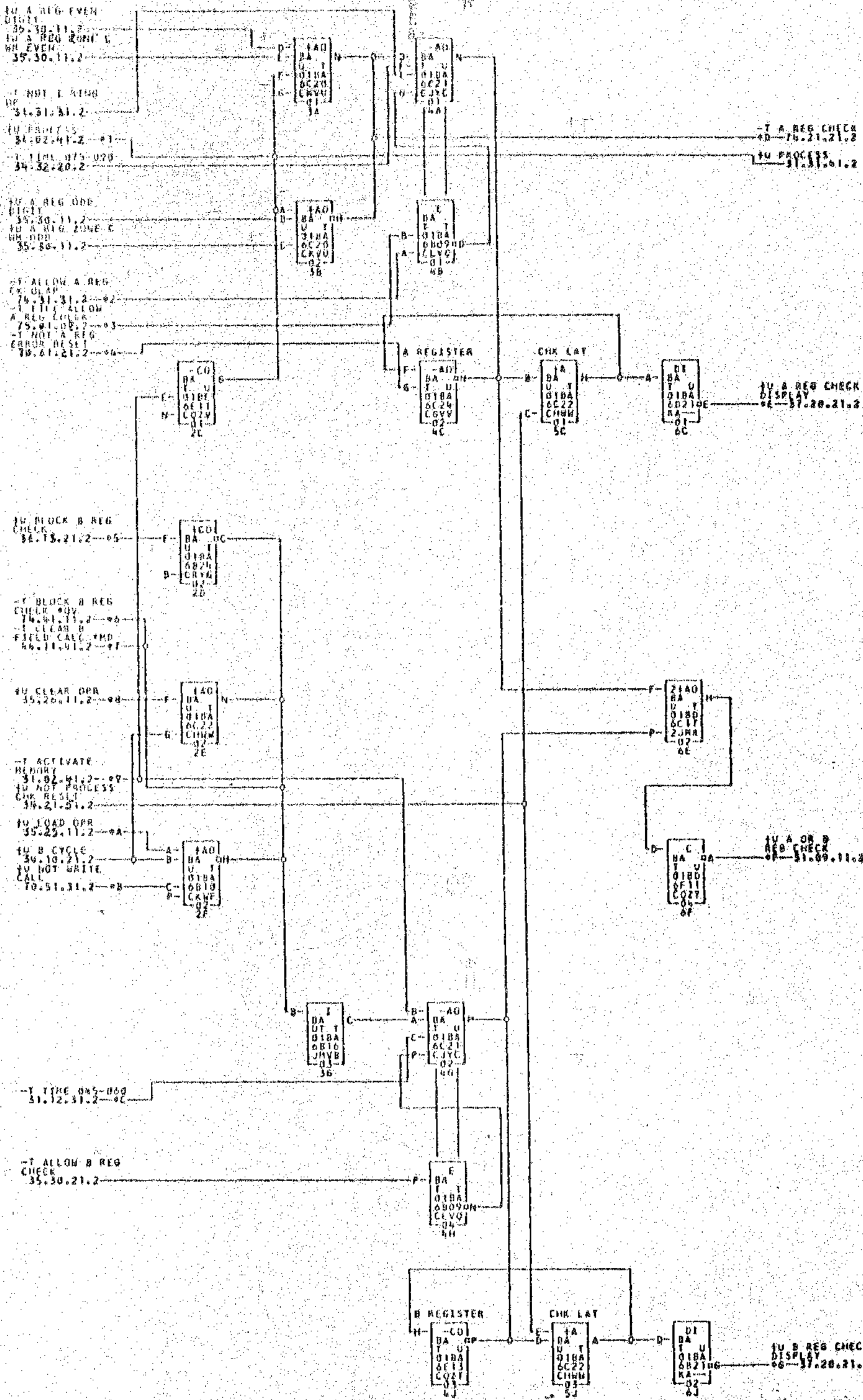
TAG DATE

E 5.3.63

TA 1771A

F 16.4.63

TA 1815A



-T A REG CHECK  
 35.30.21.2

-T A REG CHECK  
 DISPLAY  
 37.20.21.2

-T A OR B  
 REG CHECK  
 31.09.11.2

-T B REG CHECK  
 DISPLAY  
 37.20.21.2

- \*1--01B6F01E
- \*2--01B6F02H
- \*3--01B6F03A
- \*4--01B6F040
- \*5--01B6A03F
- \*6--01B6F02F
- \*7--01B6F010
- \*8--01B6C01R
- \*9--01B6F010
- \*A--01B6C01C
- \*B--01B6D01Q
- \*C--01B6C01F
- \*D--01B6F02E
- \*E--02A0F02D
- \*F--01B6A02K
- \*G--01B6A02K
- \*H--01A2A04R
- \*I--01B6A02L
- \*J--01A2A04L
- \*K--01B6A02K
- \*L--01A2A04R
- \*M--01B6A02K
- \*N--01B6A02K
- \*O--01B6A02K
- \*P--01B6A02K
- \*Q--01B6A02K
- \*R--01B6A02K
- \*S--01B6A02K
- \*T--01B6A02K
- \*U--01B6A02K
- \*V--01B6A02K
- \*W--01B6A02K
- \*X--01B6A02K
- \*Y--01B6A02K
- \*Z--01B6A02K

729191

1U B LESS THAN  
A DISPLAY 3HLE

1U B LESS THAN  
A DISPLAY 3HLE

A 5.4.62  
TA 1233B

1U B GREATER  
THAN A DISPLAY

1U B GREATER  
THAN A DISPLAY

B 5.3.63  
TA 1771A

-T B REG 1

-T B REG 1

-T B REG 2

-T B REG 2

-T B REG 4

-T B REG 4

-T B REG 6

-T B REG 6

-T B REG 8

-T B REG 8

-T B REG A

-T B REG A

-T B REG B

-T B REG B

-T B REG C

-T B REG C BIT

-T B REG WH

-T B REG WH

-T B REG 1

1U B REG 1  
DISPLAY

-T B REG 2

1U B REG 2  
DISPLAY

-T B REG 4

1U B REG 4  
DISPLAY

-T B REG 6

1U B REG 6  
DISPLAY

-T B REG 8

1U B REG 8  
DISPLAY

-T B REG A

1U B REG A  
DISPLAY

-T B REG B

1U B REG B  
DISPLAY

-T B REG C BIT

1U B REG C BIT  
DISPLAY

-T B REG WH

1U B REG WH  
DISPLAY

1-01B6F03Q  
2-01B6A01A  
3-01B6A02R  
4-01B6D03C  
5-01B6D03F

6-01B6F03R  
7-01B6A01L  
8-01A2A04R  
9-01A2A20C  
10-01A2A20F

11-01B6A01R  
12-01B6C02L  
13-01B6D03A  
14-01B6D03D  
15-01B6D036

16-01B6A01Q  
17-01B6A01A  
18-01A2A20A  
19-01A2A20U  
20-01A2A206

21-01B6A01P  
22-01B6A02Q  
23-01B6D03B  
24-01B6D03E  
25-01B6D03H

26-01B6A01N  
27-01A2A04D  
28-01A2A20B  
29-01A2A20E  
30-01A2A20H

COMMENTS

TAG DATE F.C.NO. TAG DATE F.C.NO. TAG DATE F.C.NO. TAG DATE F.C.NO.

A 12-18-61 11538

B 12-11-62 116178

729192

A 5.4.62  
TA 1233B

B 5.3.63  
TA 1771A

9799199

A REGISTER DISPLAY DRIVE

1601 BA

35.30.51.2

TAG DATE

A 5.4.62  
TA 1233B

B 5.9.63  
TA 1271A

-T A REG 1  
35.21.11.2



TV A REG 1 DISP  
37.20.11.2

-T A REG 2  
35.21.11.2



TV A REG 2 DISP  
37.20.11.2

-T A REG 3  
35.21.11.2



TV A REG 3 DISP  
37.20.11.2

-T A REG 4  
35.21.11.2



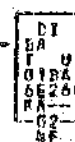
TV A REG 4 DISP  
37.20.11.2

-T A REG 5  
35.21.11.2



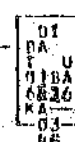
TV A REG 5 DISP  
37.20.11.2

-T A REG 6  
35.21.11.2



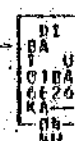
TV A REG 6 DISP  
37.20.11.2

-T A REG 7  
35.30.11.2



TV A REG 7 DISP  
37.20.11.2

-T A REG 8H  
35.10.61.2



TV A REG 8H  
DISPLAY  
37.20.11.2

\*1--01B6D03J  
\*4--01B6D03M  
\*7--01B6D03Q

-----01A2A20J  
-----01A2A20M  
-----01A2A20Q

\*2--01D6D03K  
\*5--01D6D03N  
\*8--01D6D03R

-----01A2A20R  
-----01A2A20N  
-----01A2A20H

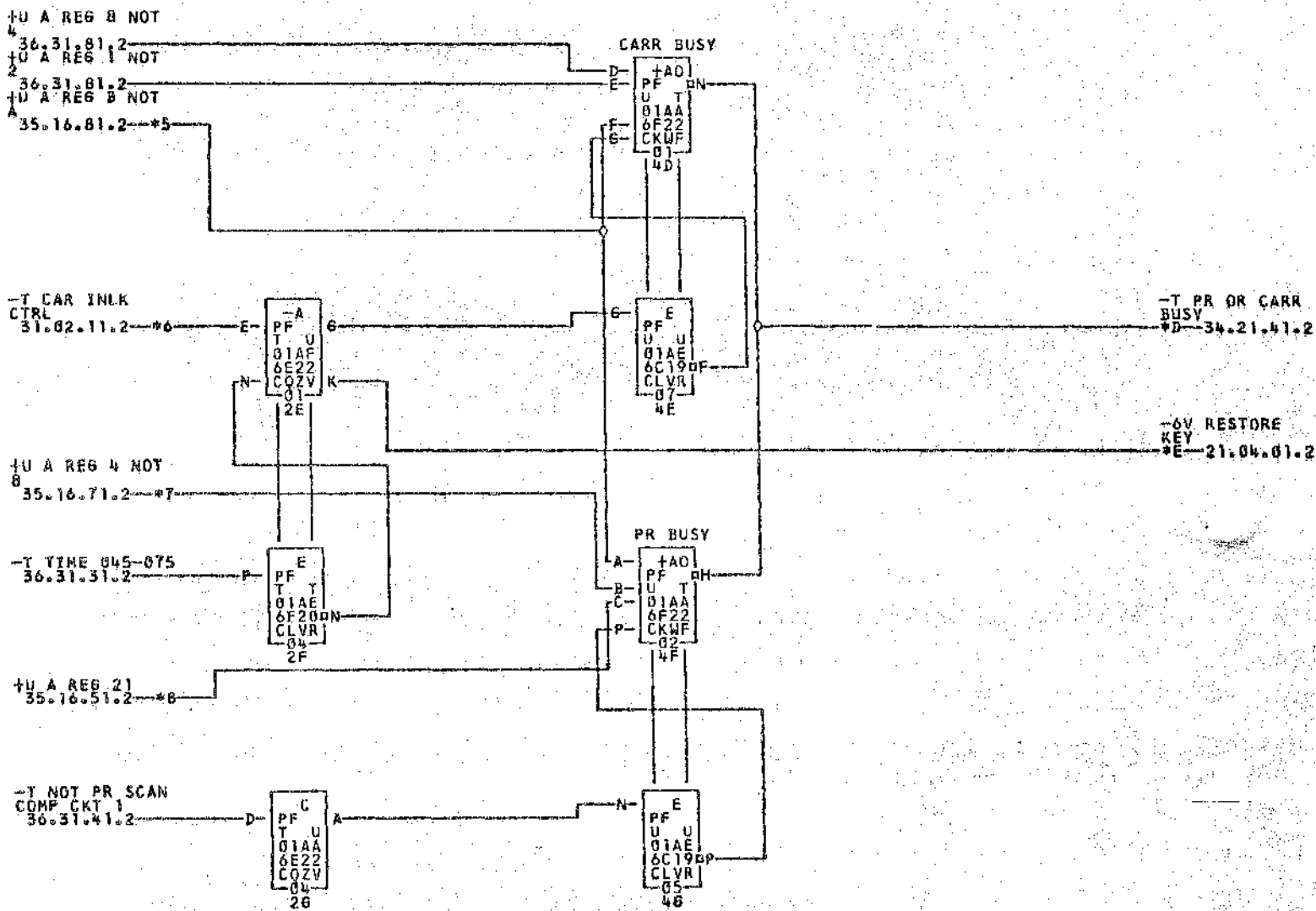
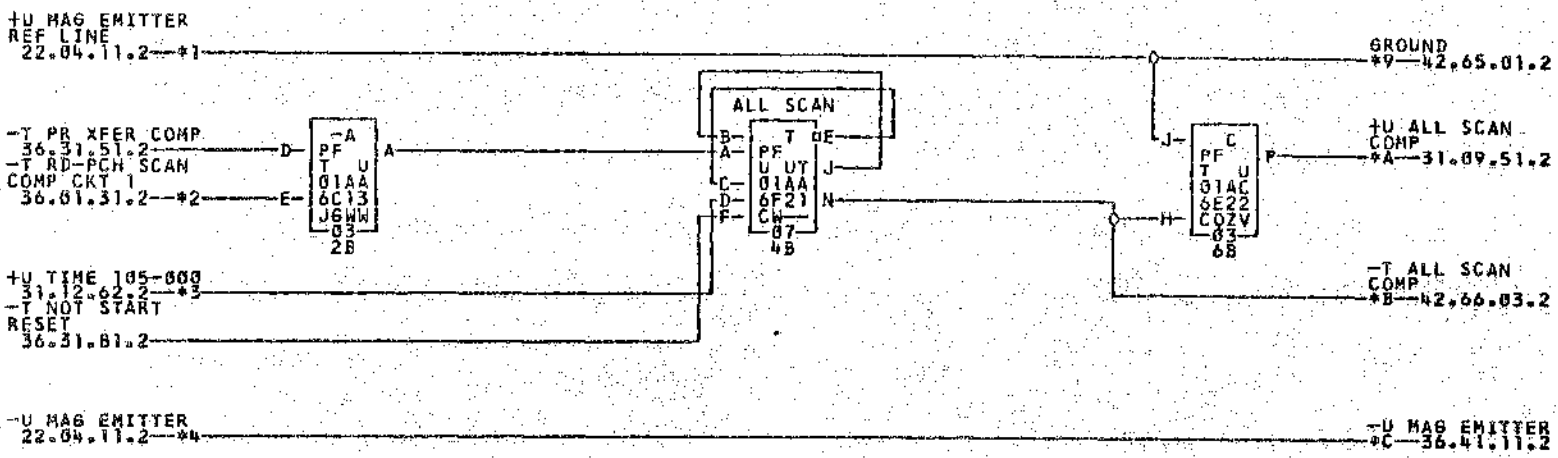
\*3--01B6D03L  
\*6--01B6D03P

-----01A2A20L  
-----01A2A20P

COMMENTS

TAG DATE	E.C.NO.	TAG DATE	E.C.NO.	TAG DATE	E.C.NO.
A 12-18-61	113530	B 12-11-62	114178		

729103



METR  
 R-3 \*  
 \* 01AF  
 6C23  
 USED  
 01  
 6H

FILT  
 PF \*  
 \* 01AA  
 6A12  
 6J  
 01  
 2J

FILT  
 PF \*  
 \* 01AA  
 6F12  
 6J  
 01  
 3J

RPQ  
 \* \*  
 \* 01AF  
 6D21  
 USED  
 01  
 4J

RPQ  
 \* \*  
 \* 01AF  
 6D21  
 USED  
 01  
 5J

METR  
 PF \*  
 \* 01AF  
 6C22  
 CO  
 01  
 6J

- \*1--01A6F246
- \*2--01A6F26R
- \*3--01A6A25P
- \*4--01A6F24F
- \*5--01A6C25K
- \*6--01A6E26A
- \*7--01A6C25H
- \*8--01A6C25G
- \*9--01A6E24J
- \*0--06B7A14J
- \*A--01A6E26N
- \*B--01A6E246
- \*C--01A6D24H
- \*D--01A6F25R
- \*E--01A6F24A

172876B

COMMENTS

TAG DATE	E.C.NO.	TAG DATE	E.C.NO.	TAG DATE	E.C.NO.	TAG DATE	E.C.NO.
A 12-15-61	113530	B 02-28-62	114231	C 06-04-62	114147	D 10-17-62	114167
E 12-19-62	114177B	F 09-16-63	118575B				