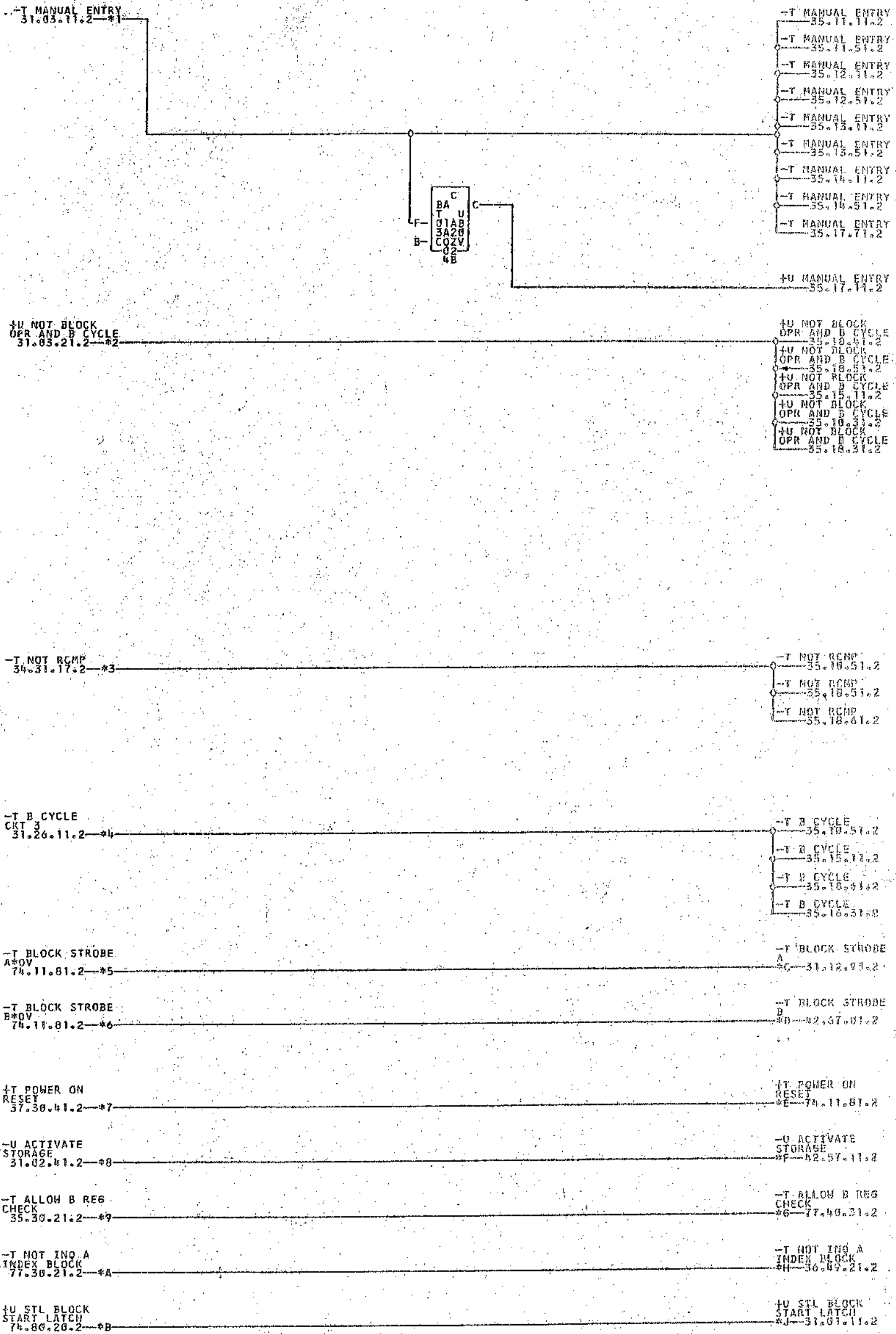


6723650

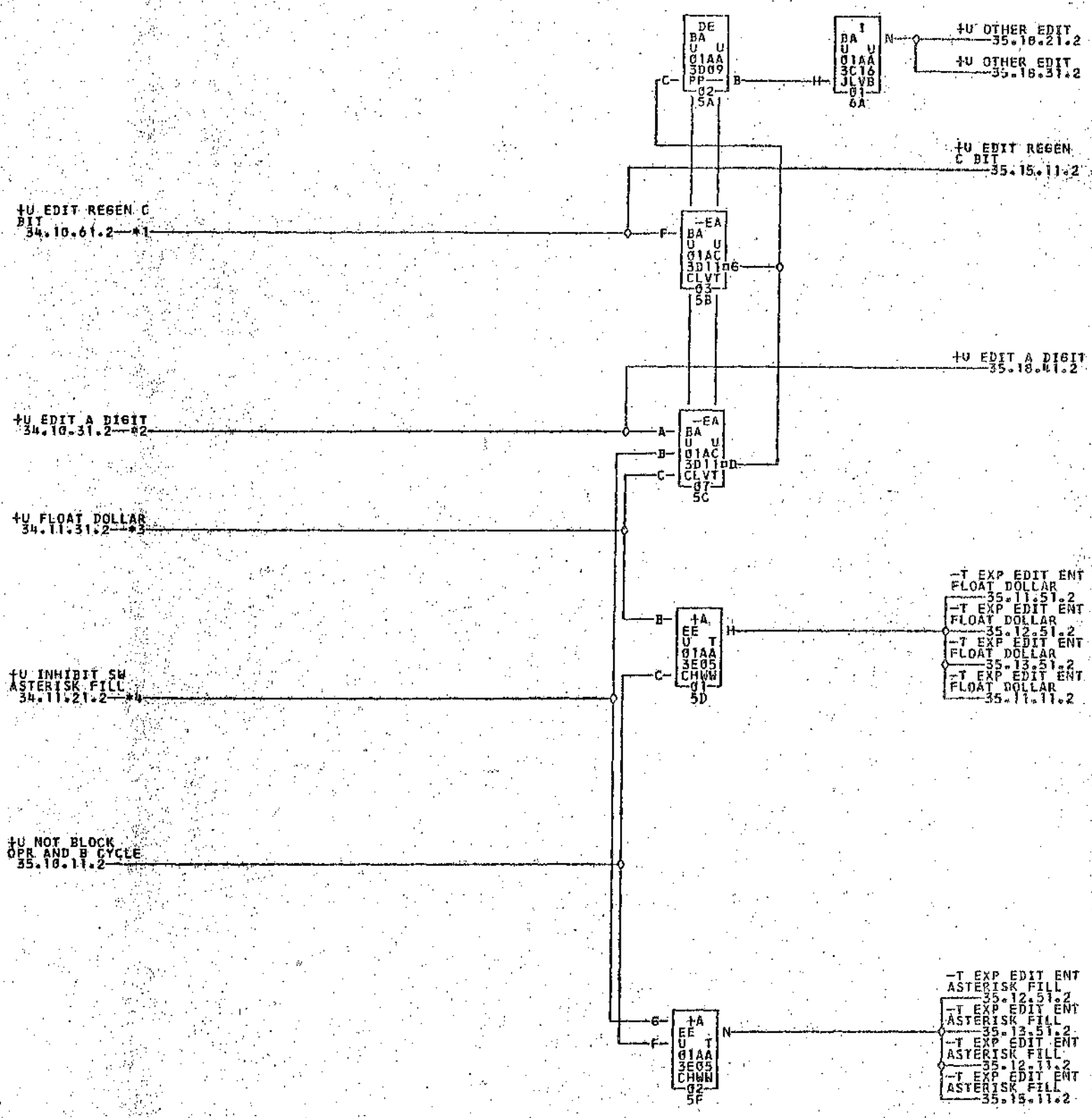
DISTRIBUTION SECTION 1

1481 BA

35.10.11.2



- *1-01A3D25C
- *2-01A3D25B
- *3-01A3C25Q
- *4-01A3D25P
- *5-01A3A22P
- *6-01A3A22Q
- *7-01A3E26J
- *8-01A3D25L
- *9-01A3A25L
- *A-01B6A0CF
- *B-01A3C22N
- *C-01A3C26D
- *D-01A3C26Q
- *E-01A3A22H
- *F-01A3A25K
- *G-01A3C22P
- *H-01A3C22Q
- *I-01A3B24R
- *J-01A3D25Q
- *K-01B2D04Q
- *L-01B1B02R
- *M-01B1A03N
- *N-02A0F13A
- *O-02B6C03M



RPQ
* *
01AB
3A21
01
3J

RPQ
* *
01AB
3B21
01
4J

RPQ
* *
01AB
3C21
01
5J

*1-01A3B26E

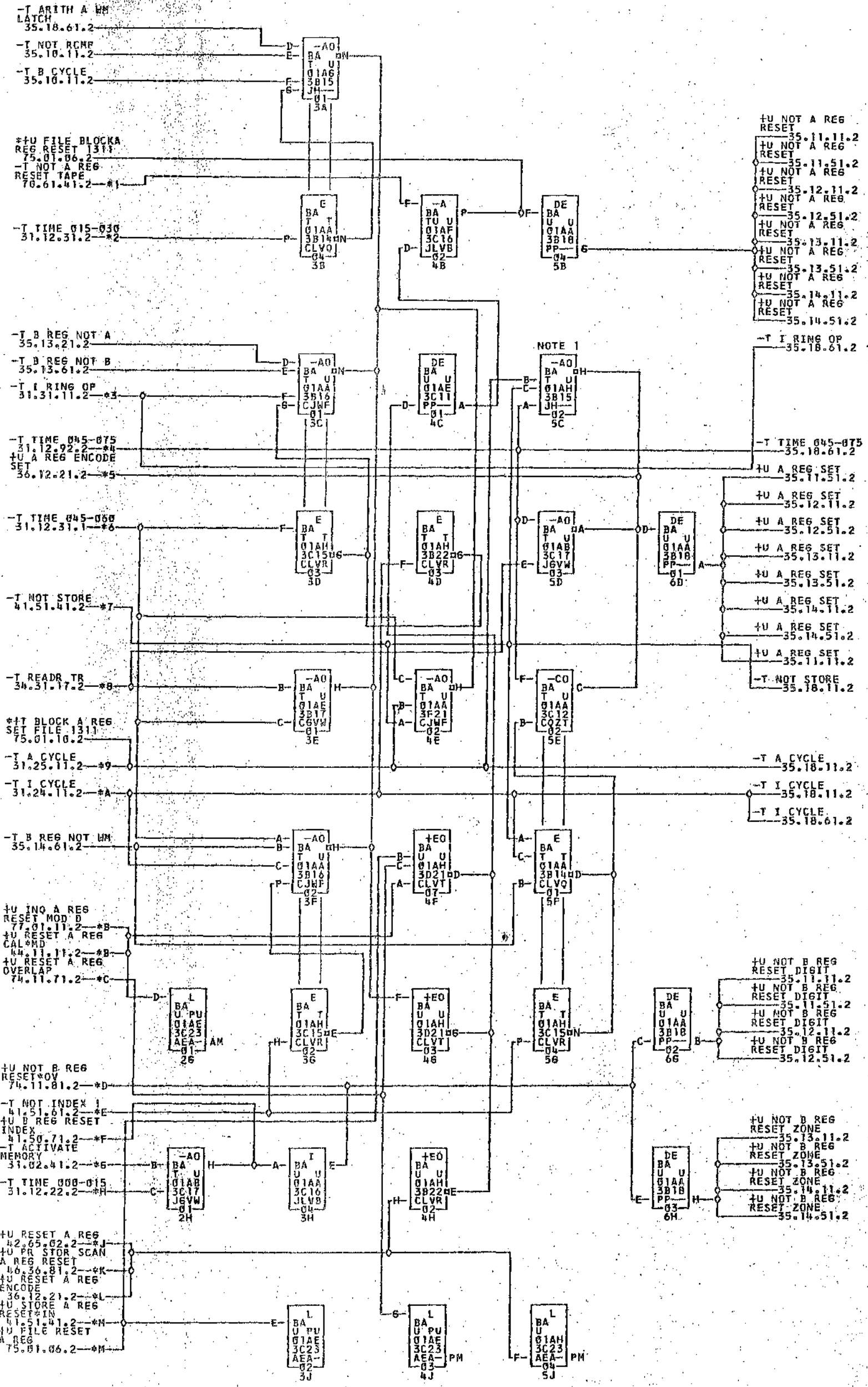
*2-01A3B26Q

*3-01A3B26G

*4-01A3B26H

COMMENTS

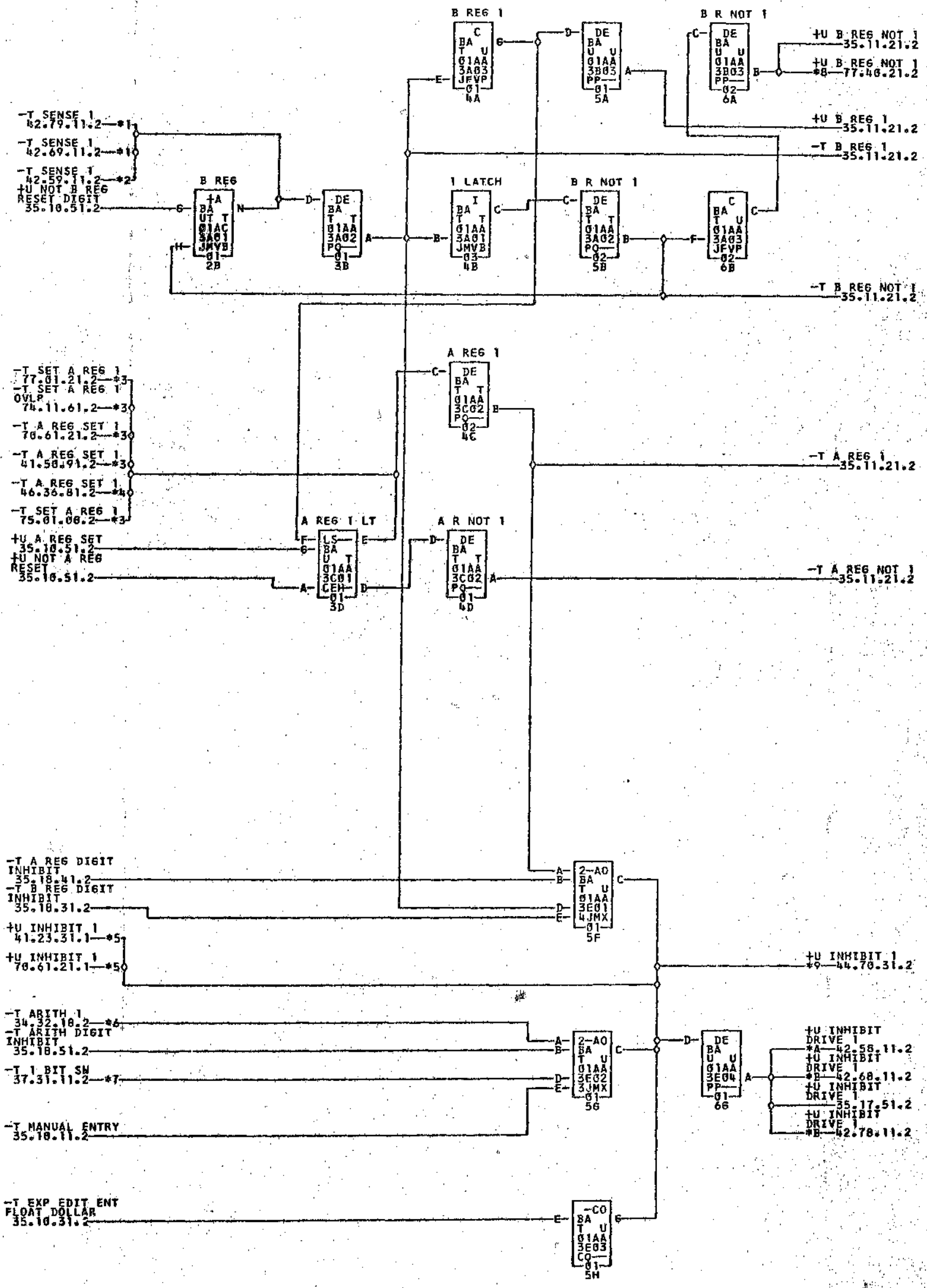
TAG DATE	E.C.NO.	TAG DATE	E.C.NO.	TAG DATE	E.C.NO.	TAG DATE	E.C.NO.
A 05-27-61	110320F	B 12-01-61	113422	C 12-27-62	116054		



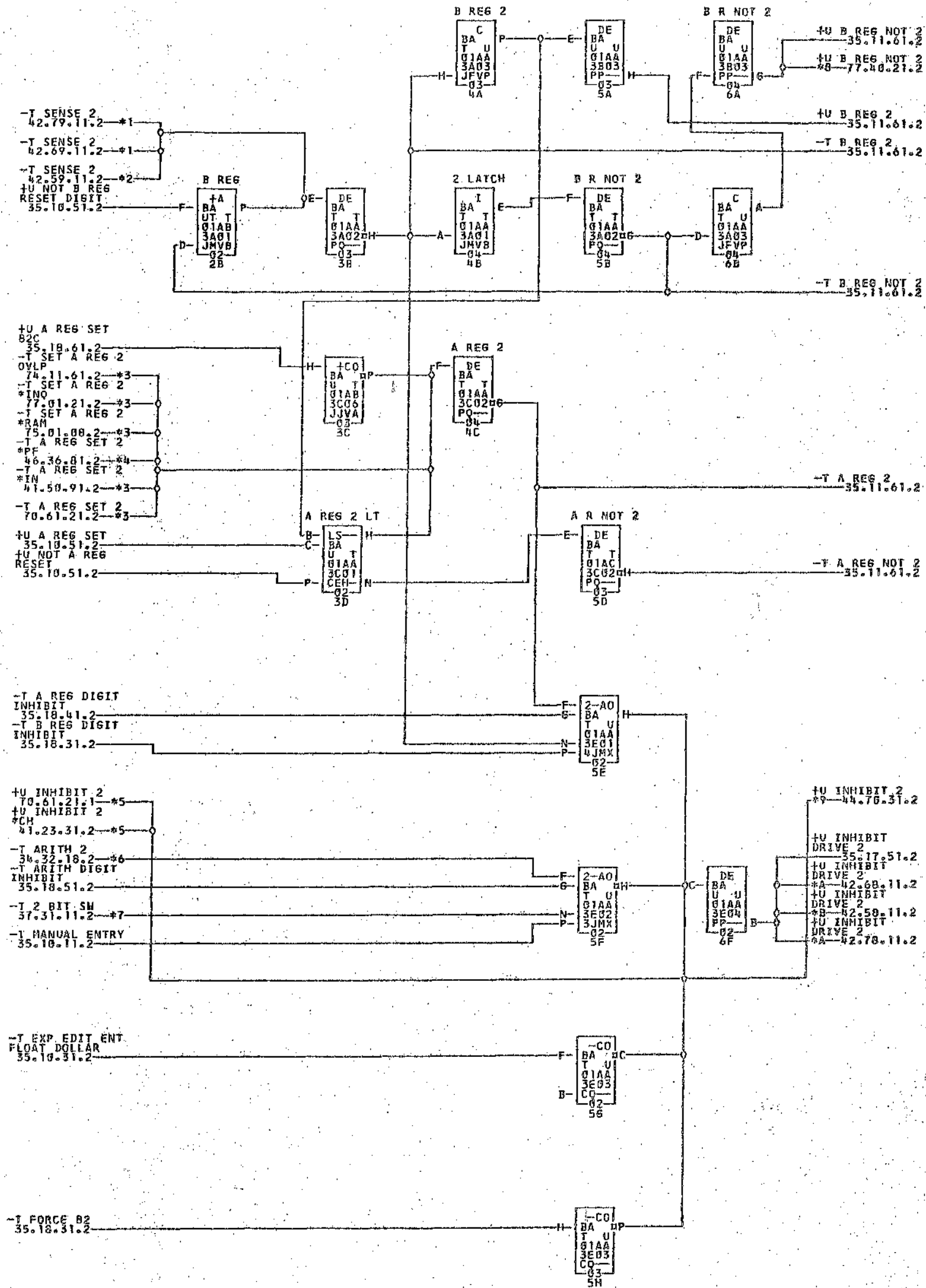
- *1-01A3C24E *2-01A3B25P *3-01A3D25E *4-01A3B25O *5-01A3A23H *6-01A3B25N
- *7-01A3F23P *8-01A3C25K *9-01A3D24C *A-01A3A26H *B-01A3E23A *C-01A3A25E
- *D-01A3A22J *E-01A3F23K *F-01A3F23L *G-01A3A26J *H-01A3B25M *J-01A3F25L
- *K-01A3E24N *L-01A3A23G

NOTE 1 A CYCLE SIGNAL IS REMOVED WITH 1311 FEATURE ATTACHED
 NOTE ASTERISK PRECEDING SIGNAL INDICATES DIRECT CABLE EXPANSION

TAG	DATE	E.C.NO.	TAG	DATE	E.C.NO.	TAG	DATE	E.C.NO.	TAG	DATE	E.C.NO.
A	05-27-61	110320F	B	06-20-61	110320F	C	09-01-61	110324S	D	09-18-61	110320H
E	10-18-61	112240	F	12-01-61	113422	G	08-10-62	114041	H	12-27-62	114054



- *1-01A3F26D
- *2-01A3A24D
- *3-01A3F23A
- *4-01A3E24A
- *5-01A3D23F
- *6-01A3C25D
- *7-01A3E26A
- *8-01A3C22A
- *9-01A3D23F
- *A-01A3A25H
- *B-01A3F25H
- *C-06B7A68H



- *1-01A3F26C
- *2-01A3A24C
- *3-01A3F23B
- *4-01A3E24B
- *5-01A3D23E
- *6-01A3C25C
- *7-01A3E26B
- *8-01A3C22B
- *9-01A3D23E
- *A-01A3F256
- *B-01A3A256
- *C-01A1F016
- *D-02A0D036

COMMENTS

TAG	DATE	E.C.NO.	TAG	DATE	E.C.NO.	TAG	DATE	E.C.NO.	TAG	DATE	E.C.NO.
A	05-27-61	110320F	B	12-01-61	113422	C	12-27-62	114054			

+U B REG 2
35.11.51.2

+U B REG 2
*1-36.13.31.2

+U B REG 2
*1-34.32.11.2

+U B REG 2
*1-75.01.01.2

+U B REG 2
*2-77.40.51.2

+U B REG 2
MOD D

+U B REG 2
*3-77.01.31.2

+U B REG 2 NPF
*1-36.31.91.2

+U B REG NOT 2
35.11.51.2

+U B REG NOT 2
*1-35.16.31.2

+U B REG NOT 2
*4-34.32.11.2

+U B REG NOT 2
*4-44.18.21.2

-T B REG 2
35.11.51.2

-T B REG 2
*5-35.21.11.2

-T B REG 2
*5-41.23.21.2

-T B REG 2
*5-35.16.11.2

-T B REG 2
*6-35.30.41.2

-T B REG 2
*6-32.43.21.2

-T B REG 2
*6-44.33.21.2

-T B REG 2
*6-76.51.21.2

-T B REG 2
*6-46.10.21.2

-T B REG NOT 2
35.11.51.2

-T B REG NOT 2
*5-35.16.11.2

-T B REG NOT 2
*7-34.18.21.2

-T B REG NOT 2
*7-44.33.31.2

-T A REG 2
35.11.51.2

-T A REG 2
*8-35.16.51.2

-T A REG 2
*8-44.33.31.2

-T A REG 2
*8-34.21.11.2

-T A REG 2
*8-36.44.11.2

-T A REG 2
*8-34.32.12.2

-T A REG 2
*8-36.50.11.2

-T A REG NOT 2
35.11.51.2

-T A REG NOT 2
*8-35.16.61.2

-T A REG NOT 2
*9-34.32.12.2

-T A REG NOT 2
*9-34.21.11.2

-T A REG NOT 2
*9-44.33.11.2

*1-01A3F24B
02A8E23B
*3-01A3F24B
01B3D03F
*6-01A3F24B
02A8B24H
01B1861N
02A8A26L

*2-01A6B26B
01A3F24B
02A0B03F
02A0B03F
01B6A01Q
*7-01A3C24F
01B3B01B
*9-01A3D26C

01A6F26K
02A0B03F
01B7F03B
01A3C24G
*5-02B7A026
02B8E02L
01B6A01Q
01A8F24B
01B6E02M
01B6A01F
01B3B01F

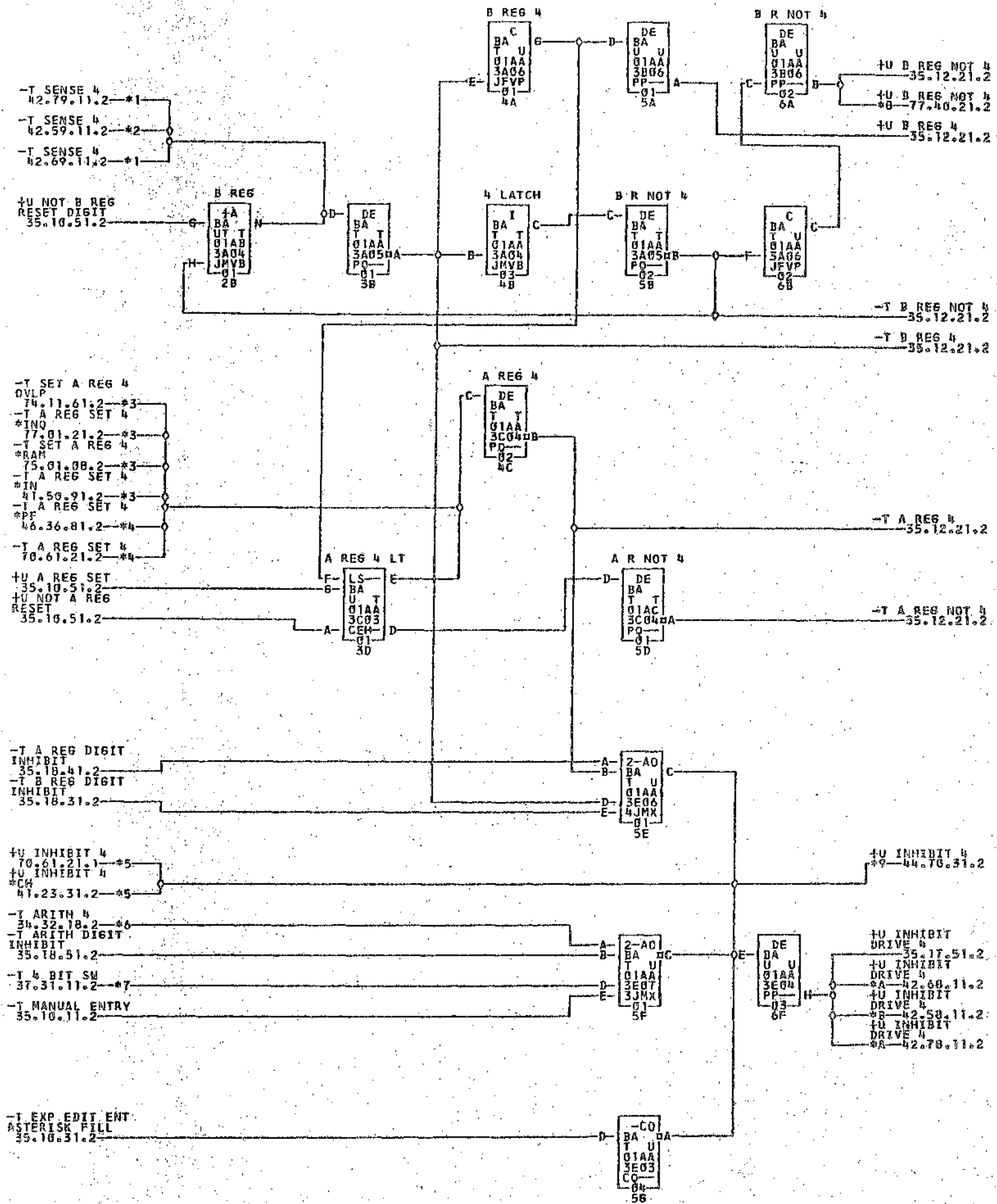
01B4A01K
02A8E23B
01B7D02H
*5-01A3C24G
02B8E02L
01B6A01Q
02A8C05A
01B6E03B
01B6E02E

01B3D03B
02A8C25H
01B8A0AM
01A4E26C
02A2C24P
02A8B15C
02A8A26N
01B4E03B
02A0B11C

02A0B03F
01B6A0AM
*4-01A3F24G
01B1B01B
02A8B24H
02A2C24P
*8-01A3D26G
02A0C01B
02A8B26F

COMMENTS

TAG	DATE	E.C.NO.	TAG	DATE	E.C.NO.	TAG	DATE	E.C.NO.	TAG	DATE	E.C.NO.
A	05-27-61	110320F	B	11-17-62	114051	C	12-27-62	114054			



- *1—01A3F26B *7—06B7A10B *2—01A3A24B *3—01A3F23C *4—01A3E24C *5—01A3D23D
- *6—01A3C25B *8—01A3C22C *9—01BBA81X *A—01A3A25F *B—01A1F01F
- *A—02B6F02D *A—01A3F25F

+U B REG 4
35.12.11.2

*1-44.10.21.2
 +U B REG 4
 *1-36.23.21.2
 +U B REG 4
 *1-77.01.05.2
 +U B REG 4
 *1-34.32.11.2
 +U B REG 4
 *1-36.13.31.2
 +U B REG 4
 MOD D
 *2-77.40.51.2
 +U B REG 4
 MOD D
 *1-77.40.51.2
 +U B REG 4
 MOD D
 *1-75.01.01.2

-T B REG 4
35.12.11.2

-T B REG 4
 *3-36.37.31.2
 -T B REG 4
 *3-70.51.21.2
 -T B REG 4
 *3-35.21.11.2
 -T B REG 4
 *3-44.33.31.2
 -T B REG 4
 *3-35.16.21.2
 -T B REG 4
 *3-35.30.41.2
 -T B REG 4
 *3-32.43.31.2
 -T B REG 4
 *3-46.10.21.2
 -T B REG 4
 *3-34.31.21.2
 -T B REG 4
 *3-41.23.21.2

-T B REG NOT 4
35.12.11.2

-T B REG NOT 4
 *4-35.16.21.2
 -T B REG NOT 4
 *4-34.10.21.2
 -T B REG NOT 4
 *4-44.33.21.2

-T A REG 4
35.12.11.2

-T A REG 4
 *5-44.33.11.2
 -T A REG 4
 *5-34.32.12.2
 -T A REG 4
 *5-35.16.71.2
 -T A REG 4
 *5-34.21.11.2
 -T A REG 4
 *5-36.44.11.2
 -T A REG 4
 *5-36.50.11.2

-T A REG NOT 4
35.12.11.2

-T A REG NOT 4
 *6-35.16.71.2
 -T A REG NOT 4
 *6-34.21.11.2
 -T A REG NOT 4
 *6-44.33.11.2
 -T A REG NOT 4
 *6-34.32.12.2
 -T A REG NOT 4
 *6-36.12.11.2

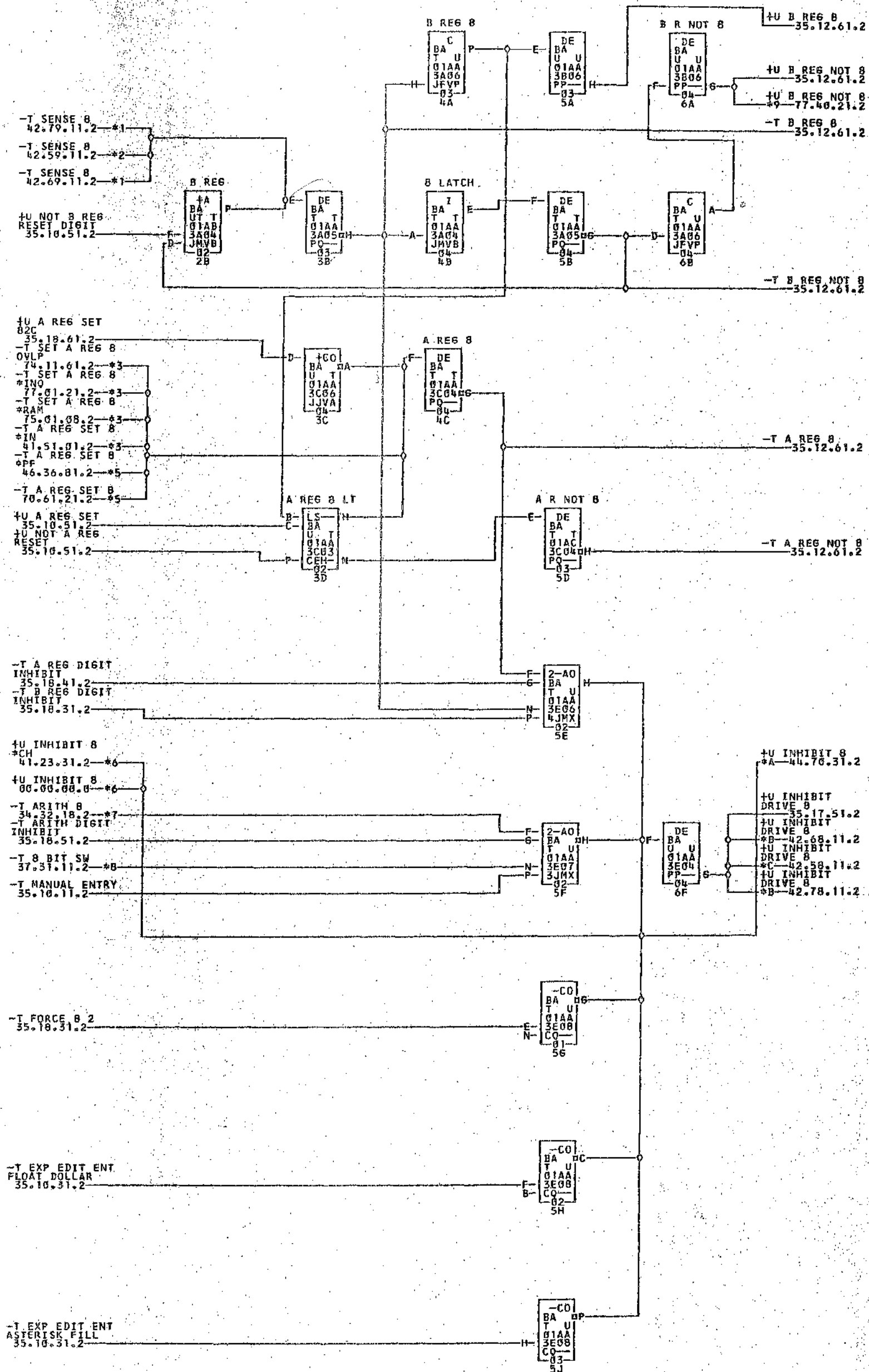
+U B REG NOT 4
35.12.11.2

+U B REG NOT 4
 *7-35.16.31.2
 +U B REG NOT 4
 *7-34.32.11.2
 +U B REG NOT 4
 *7-36.23.21.2
 +U B REG NOT 4
 *7-56.13.11.2

*1-01A3F24C	01A6F26L	01B4A01L	01B3D03C	01B7A03D	02A0B65E
02B7A02H	02A8E23C	02A8C25J	01B8A0AW	*2-01A3F24C	02A8B65E
01B7F03C	01B7D02J	01B8A0AW	*3-01A3C24H	01A3E26D	01A8F24C
*4-01B7B01C	01B6A01P	02A0C03B	02A8A26M	02A2C24D	02B8E02J
01A3C24Q	01B6E02L	02A0B01C	01B4E03C	*5-01A3D26H	01B1B01P
01B3B01C	01B6A01F	01B6E03C	01B4E03D	02A0C07B	02A8A26P
*6-01A3D26R	01B3B01G	01B4E03E	01B4E03D	02A0C07B	01B6A03R
02A0B66C	02A8B20E	*7-01A3F24H	01B3D036	01B3C03H	01B4A02H
01B7A03E					

COMMENTS

TAG	DATE	E.C.NO.	TAG	DATE	E.C.NO.	TAG	DATE	E.C.NO.	TAG	DATE	E.C.NO.
A	05-27-61	110328F	B	12-01-61	113422	C	08-09-62	114640			



- *1-01A3F26A *2-01A3A24A *3-01A3F23D *4-01A3E24D *5-01A3E24D *6-01A3D23C
- *7-01A3C25A *8-01A3E26D *9-01A3C22D *A-01A3D23C *B-01A3F25E *C-01A3A25E
- 02B6F02C *B-01A3F25E 06B7A08E *C-01A3A25E 01A1F07E 02A0C19B

+U B REG 8
35.12.51.2

+U B REG 8
*1-36.23.31.2
+U B REG 8
*1-34.32.11.2
+U B REG 8
*1-36.13.31.2
+U B REG 8
*1-75.01.01.2
+U B REG 8
*1-77.40.51.2
+U B REG 8
MOD D
*2-77.40.51.2
+U B REG 8 NPF
*1-36.51.91.2

-T B REG 8
35.12.51.2

-T B REG 8
*3-35.21.11.2
-T B REG 8
35.16.21.2
-T B REG 8
*3-70.51.21.2
-T B REG 8
*3-35.30.41.2
-T B REG 8
*3-32.43.41.2
-T B REG 8
*3-41.23.21.2
-T B REG 8
*3-46.10.21.2

-T B REG NOT 8
35.12.51.2

-T B REG NOT 8
*4-34.10.21.2
-T B REG NOT 8
*4-44.33.11.2
-T B REG NOT 8
35.16.21.2

-T A REG 8
35.12.51.2

-T A REG 8
35.16.71.2
-T A REG 8
*5-34.21.11.2
-T A REG 8
*5-34.32.12.2
-T A REG 8
*5-36.44.11.2
-T A REG 8
*5-44.33.11.2
-T A REG 8
*5-36.50.11.2

-T A REG NOT 8
35.12.51.2

-T A REG NOT 8
35.16.71.2
-T A REG NOT 8
*6-34.32.12.2
-T A REG NOT 8
*6-34.21.11.2
-T A REG NOT 8
*6-44.33.11.2

+U B REG NOT 8
35.12.51.2

+U B REG NOT 8
35.16.31.2
+U B REG NOT 8
*7-34.32.11.2

*1-01A3F24D
02A0C03F
01B7F63D
01B1B91D
01B6E02K
01B6E03D
01B3B01H

01A6F26M
02A8E23D
01B7D02C
01B6A01N
02A0B17C
01B4E03D
01B6E02C

01A6A24L
02A8C25K
01B8A0BE
02A0B09E
02A6B26J
01B6A01D
02A0C09B

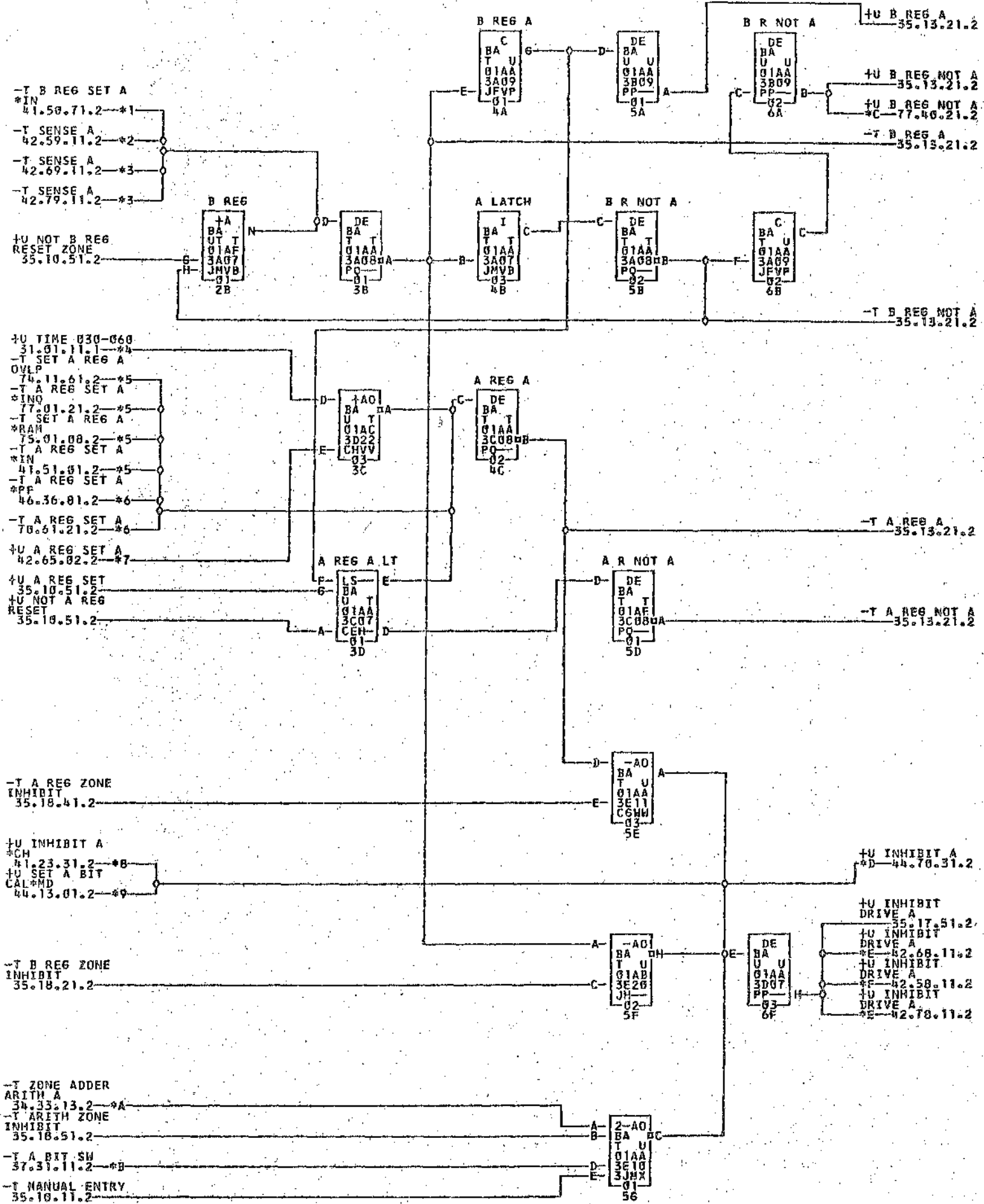
01B4A01M
01B8A0BE
*3-01A3C24J
02B8E02P
*5-01A3D26J
02A0B03C
02A8A26Q

01B3D03D
*2-01A3F24D
01A4E26E
02A2C24R
01B1D010
02A9B26B
*7-01A3C26B

01B7C03B
02A0C03F
01A8F24D
*4-01A3C24R
01B3B01D
*6-01A3C24A
01B3E01B

COMMENTS

TAG DATE E.C.NO. TAG DATE E.C.NO. TAG DATE E.C.NO. TAG DATE E.C.NO.
A 05-27-61 110320F B 08-16-61 110324R C 12-01-61 113422 D 11-17-62 114051
E 12-27-62 118054



- *1-01A3F23M
- *2-01A3A24E
- *3-01A3F26E
- *4-01A3D25P
- *5-01A3F23E
- *6-01A3E24E
- *7-01A3F25K
- *8-01A3E26E
- *9-01A3E23E
- *A-01A3C25E
- *B-01A3E26E
- *C-01A3C22E
- *D-01A3D23B
- *E-02B6F02B
- *F-01A3A25D
- *G-06B7A08D
- *H-01B8A01A
- *I-01A3A25D
- *J-06B7A10E
- *K-01A3D23B
- *L-01A3D23B
- *M-01A1E01B
- *N-02A0C17B

+U B REG A
35.13.11.2

+U B REG A
*1-35.30.21.2
+U B REG A
*1-75.01.01.2
+U B REG A
*1-41.50.01.2
+U B REG A
*1-77.40.51.2
+U B REG A
MOD D
*2-77.40.51.2

+U B REG NOT A
35.13.11.2

+U B REG NOT A
35.16.31.2
+U B REG NOT A
*3-35.30.21.2
+U B REG NOT A
*4-00.00.00.0

-T B REG A
35.13.11.2

-T B REG A
*5-36.20.11.2
-T B REG A
*5-41.23.21.2
-T B REG A
35.16.31.2
-T B REG A
*5-35.30.41.2
-T B REG A
*5-70.51.21.2
-T B REG A
*5-34.33.11.2
-T B REG A
*5-32.43.51.2
-T B REG A
*5-35.21.11.2
-T B REG A
*5-44.32.11.2
-T B REG A
*5-46.10.31.2

-T B REG NOT A
35.13.11.2

-T B REG NOT A
35.18.61.2
-T B REG NOT A
*6-34.33.11.2
-T B REG NOT A
*6-34.21.11.2
-T B REG NOT A
35.16.51.2
-T B REG NOT A
35.16.31.2
-T B REG NOT A
*6-44.32.11.2
-T B REG NOT A
*6-44.11.31.2
-T B REG NOT A
*6-36.20.11.2

-T A REG A
35.13.11.2

-T A REG A
*7-34.31.11.2
-T A REG A
*7-34.21.11.2
-T A REG A
*7-44.32.11.2
-T A REG A
35.16.81.2

-T A REG NOT A
35.13.11.2

-T A REG NOT A
35.16.81.2
-T A REG NOT A
*8-34.31.11.2
-T A REG NOT A
*8-34.21.11.2
-T A REG NOT A
*8-44.32.11.2

*1-01A3F24E
02A8C25L
01B8A0BP
01A4E26F
02A0B15B
01B6E02J
01B3B01J
01B6E02B

01A6F24E
01B8A0BP
*3-01A3D26B
01A8F24E
02B8E02H
01B7A03M
01B6A01C
02A0B17B

01B6D02A
*2-01A3F24E
01B6C02B
01B1B01E
02A8A26H
02A0B11D
02A0B07D
02A8A26J

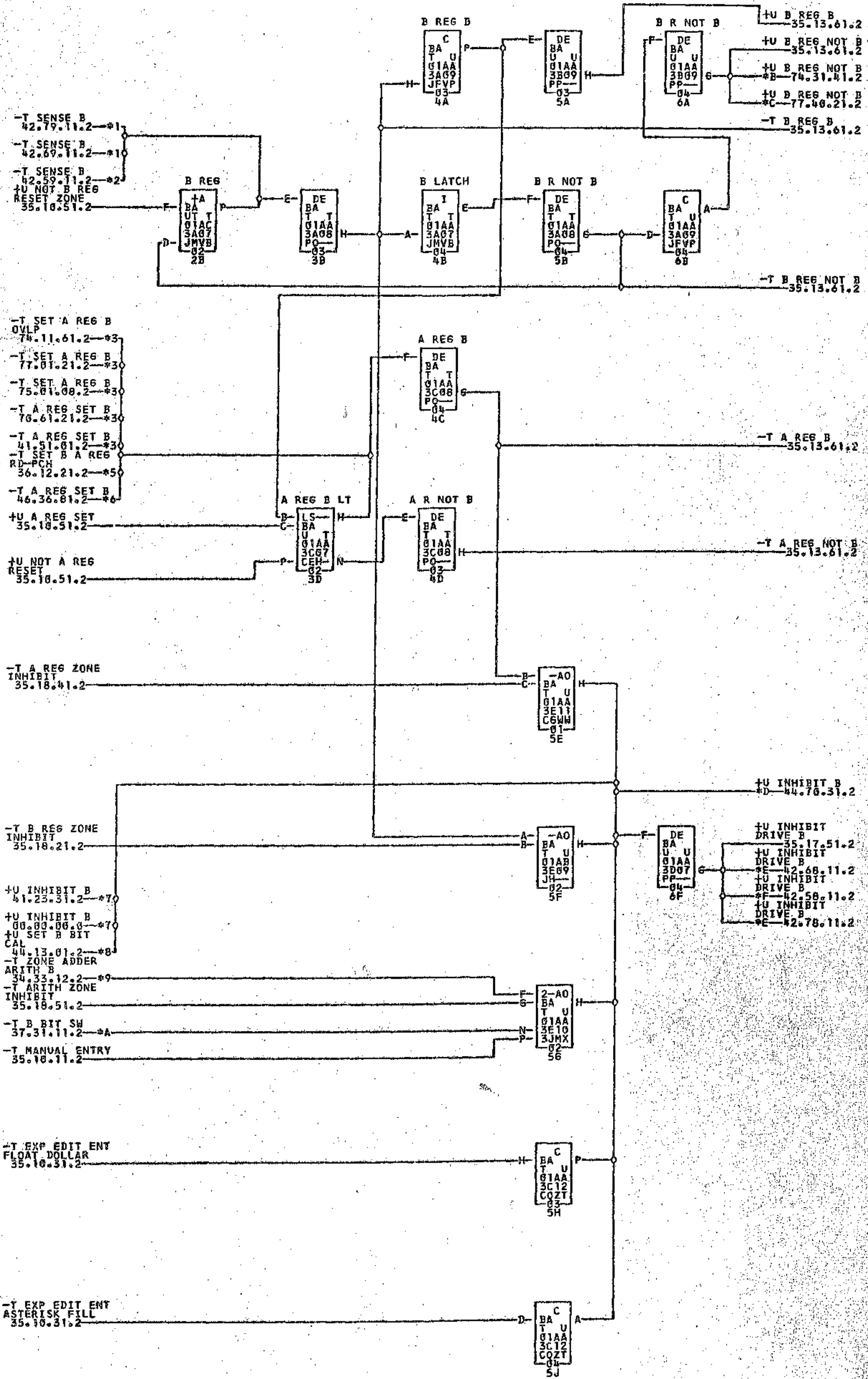
02A0B17F
02A0B17F
*4-01A3F24J
01B3D03J
02A2B24F
02A8A26F
02A8A26D

02B6C01A
01B7F03E
01A4E26A
01B6A01M
*6-01A3B25A
02B7A02Q
*8-01A3C24B

02A0E23E
01B7D02L
*5-01A3C24K
01B7A03N
01B3D03L
*7-01A3D26K
01B3B01L

COMMENTS

TAG DATE E.C.NO. TAG DATE E.C.NO. TAG DATE E.C.NO. TAG DATE E.C.NO.
A 05-27-61 110320F B 08-16-61 110324R C 12-27-62 114054



- *1-01A3F26F
- *2-01A3A24F
- *3-01A3F23F
- *4-01A3E26F
- *5-01A3D25G
- *6-01A3E24F
- *7-01A3D23A
- *8-01A3E23F
- *9-01A3C25F
- *A-01A3E26F
- *B-01A3A22D
- *C-01A3C22F
- *D-01A3D23A
- *E-01A3F25C
- *F-01A3A25C
- *G-01A1F01C
- *H-02A0C15B
- *I-02B6F82A

-T B REG B
35.13.51.2

-T B REG NOT B
35.13.51.2

-T A REG B
35.13.51.2

-T A REG NOT B
35.13.51.2

+U B REG NOT B
35.13.51.2

+U B REG B
35.13.51.2

-T B REG B
*1-36.28.11.2

-T B REG B
*1-44.32.11.2

-T B REG B
*1-41.23.21.2

-T B REG B
*1-44.11.31.2

-T B REG B
*1-32.43.61.2

-T B REG B
*1-35.21.11.2

-T B REG B
*1-35.16.31.2

-T B REG B
*1-70.51.21.2

-T B REG B
*1-35.30.41.2

-T B REG B
*1-34.31.16.2

-T B REG B
*1-46.10.31.2

-T B REG NOT B
*2-36.28.11.2

-T B REG NOT B
*2-35.16.31.2

-T B REG NOT B
*2-35.18.61.2

-T B REG NOT B
*2-34.21.11.2

-T B REG NOT B
*2-34.33.11.2

-T B REG NOT B
*2-44.32.11.2

-T B REG NOT B
*2-35.10.51.2

-T A REG B
*3-35.16.01.2

-T A REG B
*3-36.13.31.2

-T A REG B
*4-44.70.41.2

-T A REG B
*4-34.31.11.2

-T A REG B
*4-34.21.11.2

-T A REG B
*4-44.32.11.2

-T A REG NOT B
*5-35.16.81.2

-T A REG NOT B
*5-34.31.11.2

-T A REG NOT B
*5-34.21.11.2

-T A REG NOT B
*5-44.32.11.2

+U B REG NOT B
*6-35.16.31.2

+U B REG NOT B
*6-35.30.21.2

+U B REG B
*7-36.31.91.2

+U B REG B
*8-35.30.21.2

+U B REG B
*7-75.01.01.2

+U B REG B
*8-41.50.01.2

+U B REG B
*7-36.37.31.2

+U B REG B
*9-56.13.11.2

+U B REG B
MOD D
*A-77.40.51.2

+U B REG B
MOD D
*7-77.40.51.2

*1-01A3C24L
01B7A03H
02B7A02P
02A8A26B
02A0B05B
02A0B13B
01B0D02C
01A6E26F
01A6F26F
01B8A0BY

01A4E26G
*2-02A0B09B
01A3B25B
*3-01A3A23D
02A8A26C
02A8A266
02A0B19F
01B6D02C
01B4A01P

01A6F24F
02A0B15E
01B3D03M
01B4E02D
*4-02B6C01P
*6-01A3B26A
02A8E23F
02A0B19F
*A-01A3F24F

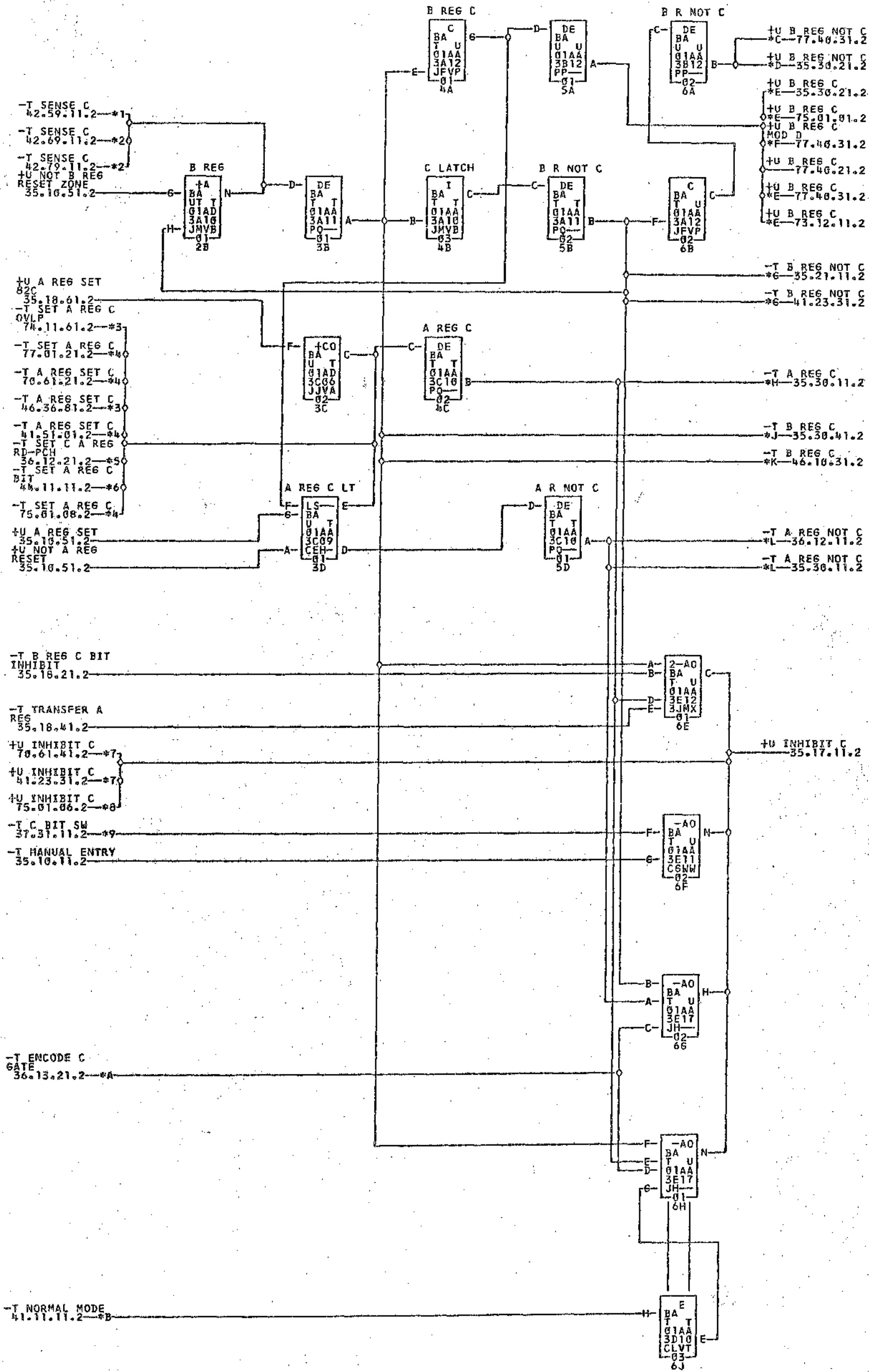
01B1B01F
02B8E026
01B6E02H
*4-01A3D26L
*5-01A3C24C
01B6C02A
02A8C25M
02B6C01C
02A0B19F

01B3D03K
02A2B240
01B7C03A
01B3B01K
01B3B01M
*7-01A3F24F
01B8A0BY
*9-01A3F24F
01B7F03F

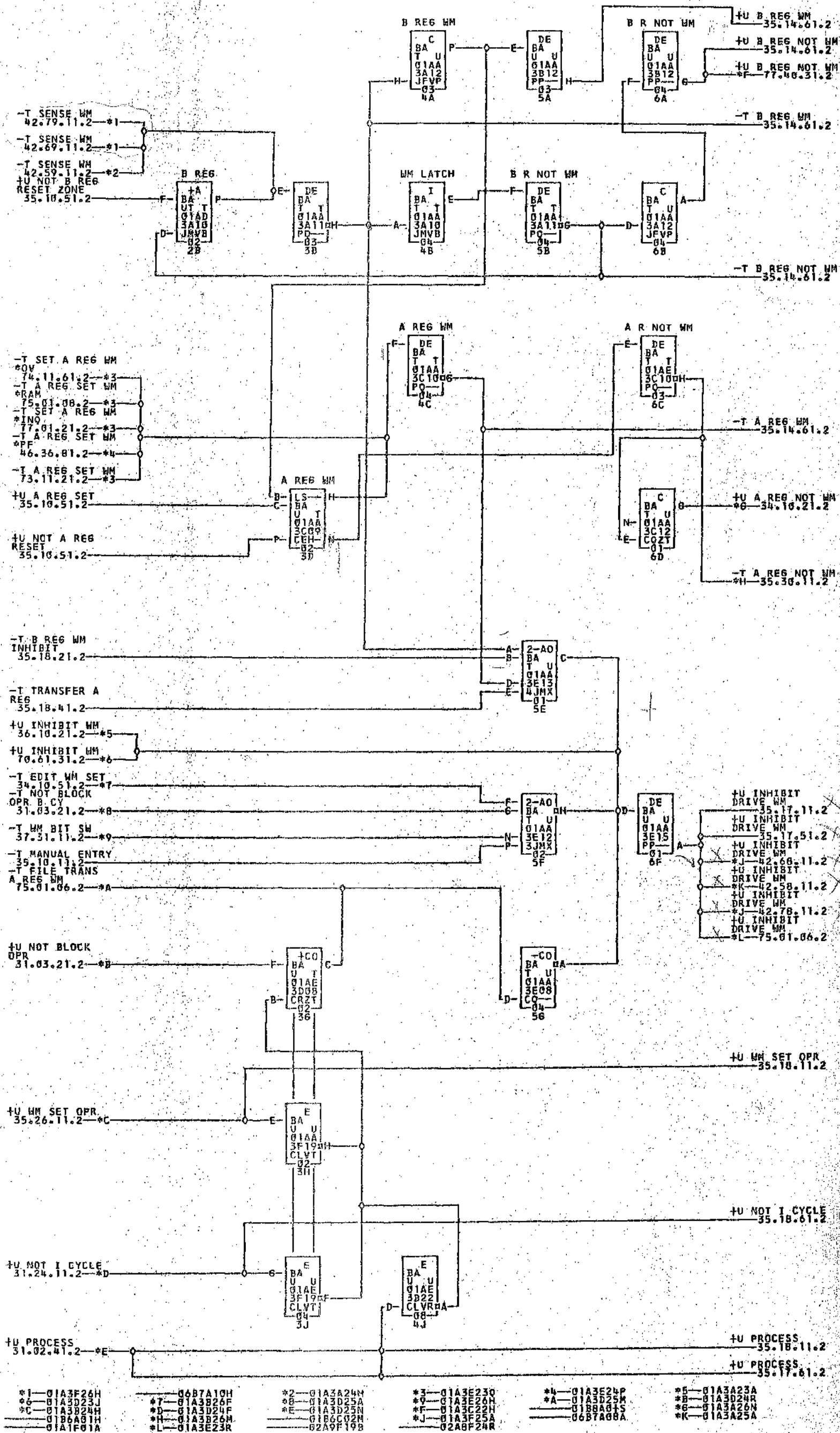
01B6A01L
02A8A26E
02A0B03B
01B6A01B
01B6E02A
01A6B26F
*8-01A3F24F
01A6B26F
01B7D02R

COMMENTS

TAG DATE E.C.NO. TAG DATE E.C.NO. TAG DATE E.C.NO. TAG DATE E.C.NO.
A 05-27-61 110320F B 06-26-61 110324F C 08-16-61 110324R D 12-27-62 110054



- *1-01A3A24G
- *2-01A3F266
- *3-01A3E246
- *4-01A3F236
- *5-01A3A23R
- *6-01A3E23B
- *7-01A3D236
- *8-06B7A106
- *9-01A3E266
- *A-01A3A23L
- *B-01A3D23L
- *C-01A3C229
- *D-02A8F240
- *E-01A3A26K
- *F-01B6E020
- *G-02A8C09T
- *H-01A3A26L
- *I-02A8E236
- *J-01B6E02R
- *K-01B8A00J
- *L-01B7F036
- *M-02A8C25N
- *N-01B8A00J
- *O-01B7D02N
- *P-01B8E01Q
- *Q-01A3B25C
- *R-01B7D01C
- *S-02A9D07E
- *T-01B8E03F
- *U-01A3B26L
- *V-01B6E02L
- *W-01A3D24H
- *X-01B6E02P
- *Y-01B6E03H
- *Z-01B6E03F
- *AA-01A4E26H
- *AB-01B6E02N
- *AC-01B6E036



- *1-G1A3F26H
- *2-G1A3A24H
- *3-G1A3E230
- *4-G1A3E24P
- *5-G1A3A23A
- *6-G1A3D23J
- *7-G1A3D25A
- *8-G1A3E25M
- *9-G1A3D25M
- *10-G1A3D24H
- *11-G1A3E26H
- *12-G1A3F25A
- *13-G1A3D26M
- *14-G1A3F26A
- *15-G1B8A015
- *16-G1A3A26N
- *17-G1A3B24H
- *18-G2A9F19B
- *19-G1A3B26M
- *20-G6B7A08A
- *21-G1A3E23R
- *22-G6B7A10H
- *23-G1A3E24P
- *24-G1A3D25M
- *25-G1A3B26M
- *26-G1A3A26N
- *27-G1A3E23R
- *28-G1A3D25M
- *29-G1A3B26M
- *30-G1A3A25A

0723667

A REG AND B REG WM

1401 BA

35.14.61.2

+U B REG WM
35.14.51.2

+U B REG WM
*1-44.70.41.2
+U B REG WM
*1-34.10.61.2
+U B REG WM
*1-75.01.01.2
+U B REG WM
MOD 1D
*2-70.40.31.2
+U B REG WM
*1-31.07.11.2

+U B REG NOT WM
35.14.51.2

+U B REG NOT WM
*3-41.50.01.2
+U B REG NOT WM
*3-31.12.41.2
+U B REG NOT WM
*3-35.30.21.2
+U B REG NOT WM
*4-32.44.31.2
+U B REG NOT WM
*3-74.31.41.2

-T B REG WM
35.14.51.2

-T B REG WM
*5-74.41.11.2
-T B REG WM
*5-35.18.51.2
-T B REG WM
*5-35.21.11.2
-T B REG WM
*5-35.30.41.2
-T B REG WM
*5-34.31.15.2
-T B REG WM
*5-70.51.21.2

-T B REG NOT WM
35.14.51.2

-T B REG WM
*5-46.10.31.2
-T B REG NOT WM
*6-34.21.21.2
-T B REG NOT WM
*6-35.10.51.2
-T B REG NOT WM
*6-44.34.21.2

-T A REG WM
35.14.51.2

-T A REG WM
*7-35.10.61.2
-T A REG WM
*7-34.10.61.2
-T A REG WM
*7-44.11.11.2
-T A REG WM
*7-41.51.71.2
-T A REG WM
*7-44.34.21.2

*1-01A3E25C
02A8C25P
01B7D02P
02B6C01B
01A7A23C
02A0B01E
02A9D13D
02B6C016

01A6C25D
01B8A00T
01B8A00T
02B1C02B
01A8A26C
02A2B24N
02A8B25K
02A8B26L

01B2E02E
02B6C01Q
*3-01A3E25D
*4-01A3D24E
*5-01A3B25D
02B1F02E
*7-01A3D26N

01B6A01J
*2-01A3E25C
01B3D03E
01B2D03E
01B1B03B
*6-01A3A26M
01B6A01A

02A0B13E
02A0B13E
01B6B02O
01B2F02K
01B3D03N
01B6E02P
02A0C01C

02A8E23H
01B7F03H
02A0C01F
01A7D26K
01B6A01K
01B6F03K
02B7A02M

COMMENTS

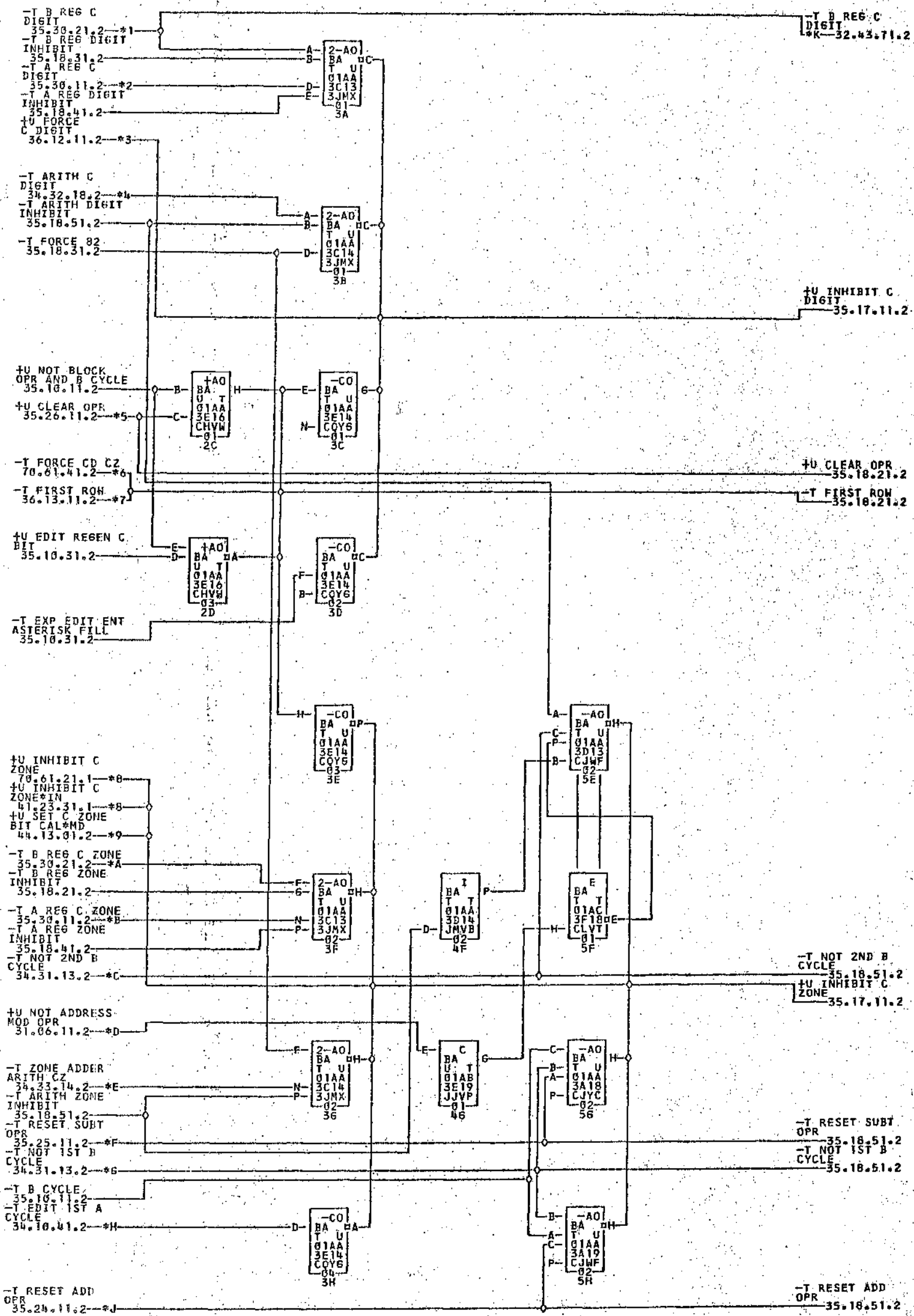
TAG DATE E.C.NO. TAG DATE E.C.NO. TAG DATE E.C.NO. TAG DATE E.C.NO.
A 05-27-61 110320F B 06-26-61 110324F C 12-01-61 113422 D 08-09-62 118048

0723668

INHIBIT C DIG AND C ZONE

1401 BA

35.15.11.2



*1-01A3B26N
*7-01A3A23J
*D-01A3D25J
*K-01A3A26R

*2-01A3B26P
*8-01A3D23H
*E-01A3C256

*3-01A3D25F
*9-01A3E236
*F-01A3B24Q

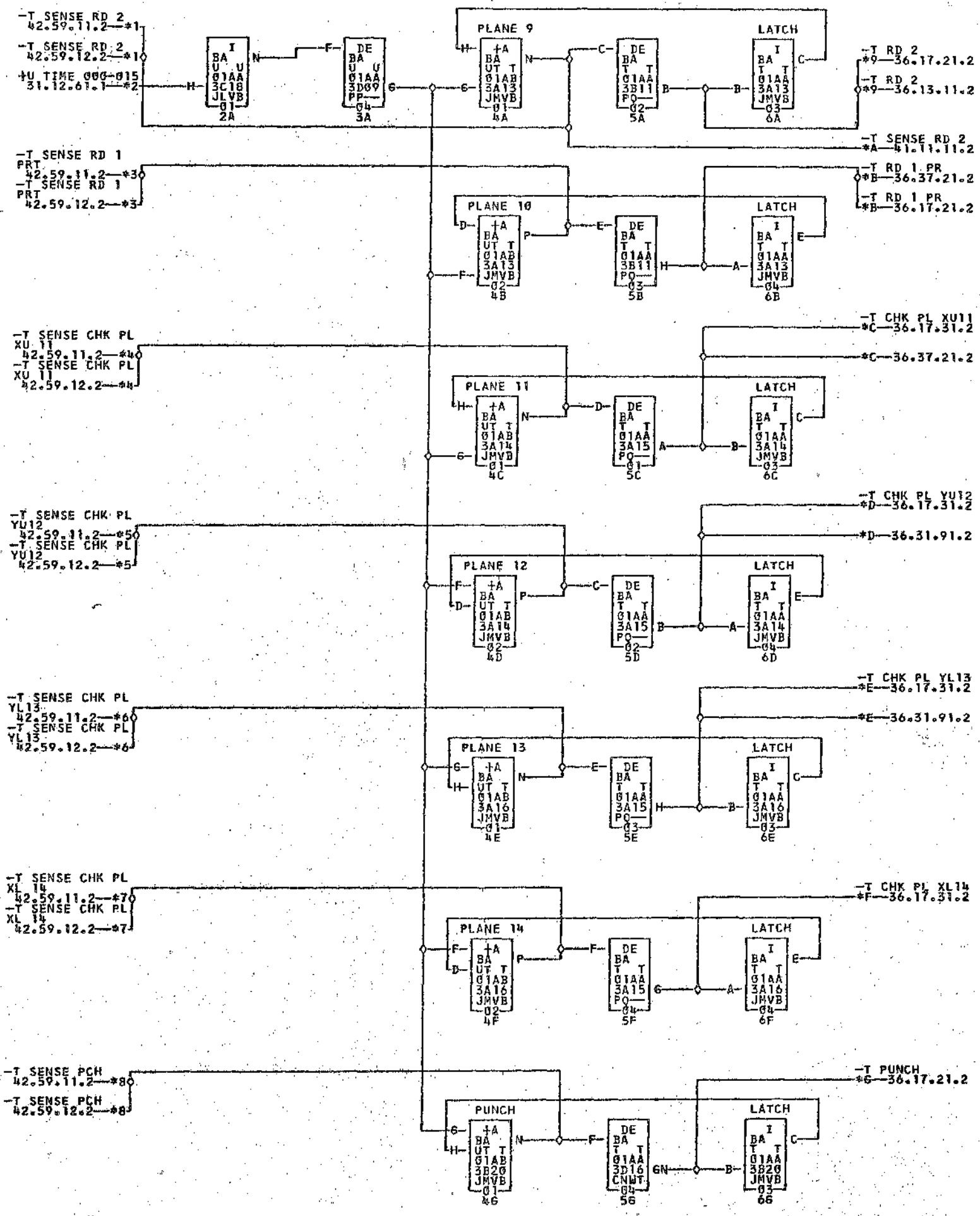
*4-01A3C25L
*A-01A3A26O
*6-01A3C26K

*5-01A3A266
*B-01A3B26C
*H-01A3B26D

*G-01A3E25P
*C-01A3C26N
*J-01A3B24L

COMMENTS.

TAG DATE E.C.NO. TAG DATE E.C.NO. TAG DATE E.C.NO. TAG DATE E.C.NO.
A 65-27-61 110320F B 10-18-61 112240 C 12-27-62 114054

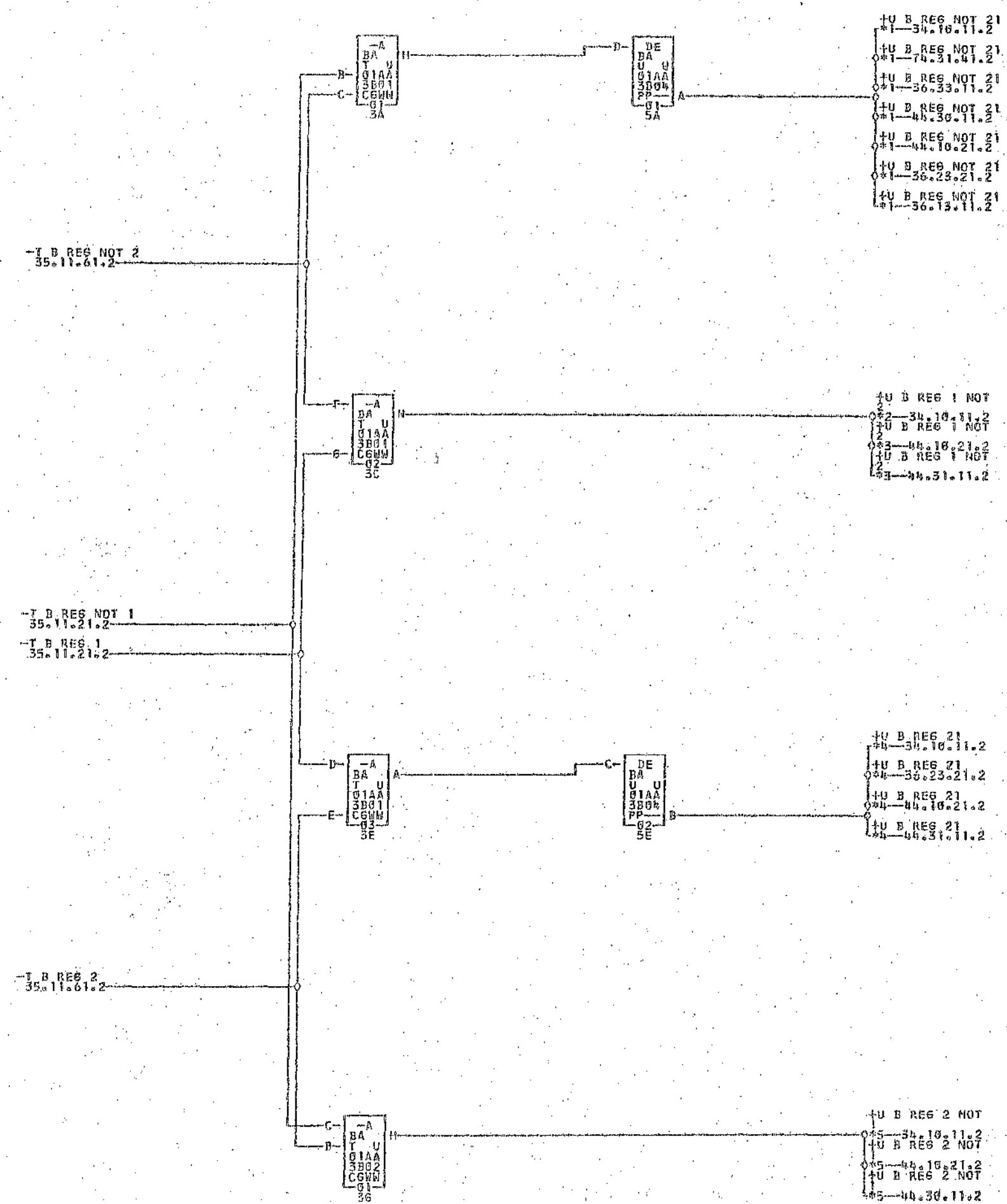


- *1—01A3A24K *2—01A3F24P *3—01A3A24R *4—01A3A24Q *5—01A3A24P *6—01A3A24N
- *7—01A3A24M *8—01A3A24L *9—01A3E25G *A—01B7B03J *B—01B7B03L *C—01A4B24O
- *A—01A3D23K *B—02A0D13B *C—02B8E01K *D—01A3B25J *E—01B7B03H *D—01A6C25A
- *C—01A3B25H *D—01B7B03K *E—01A6C25A *F—01A3A26A *E—01B7B03I *E—01A6C25B
- *E—01A3B25K *F—01B7B03M *F—01A6C25C *G—01B7B03N *F—01B7B03J *F—01A3A26B
- 01B7B03P

COMMENTS

TAG DATE E.C.NO. TAG DATE E.C.NO. TAG DATE E.C.NO. TAG DATE E.C.NO.

A 05-27-61 116320F B 12-01-61 113422 C 08-09-62 113048



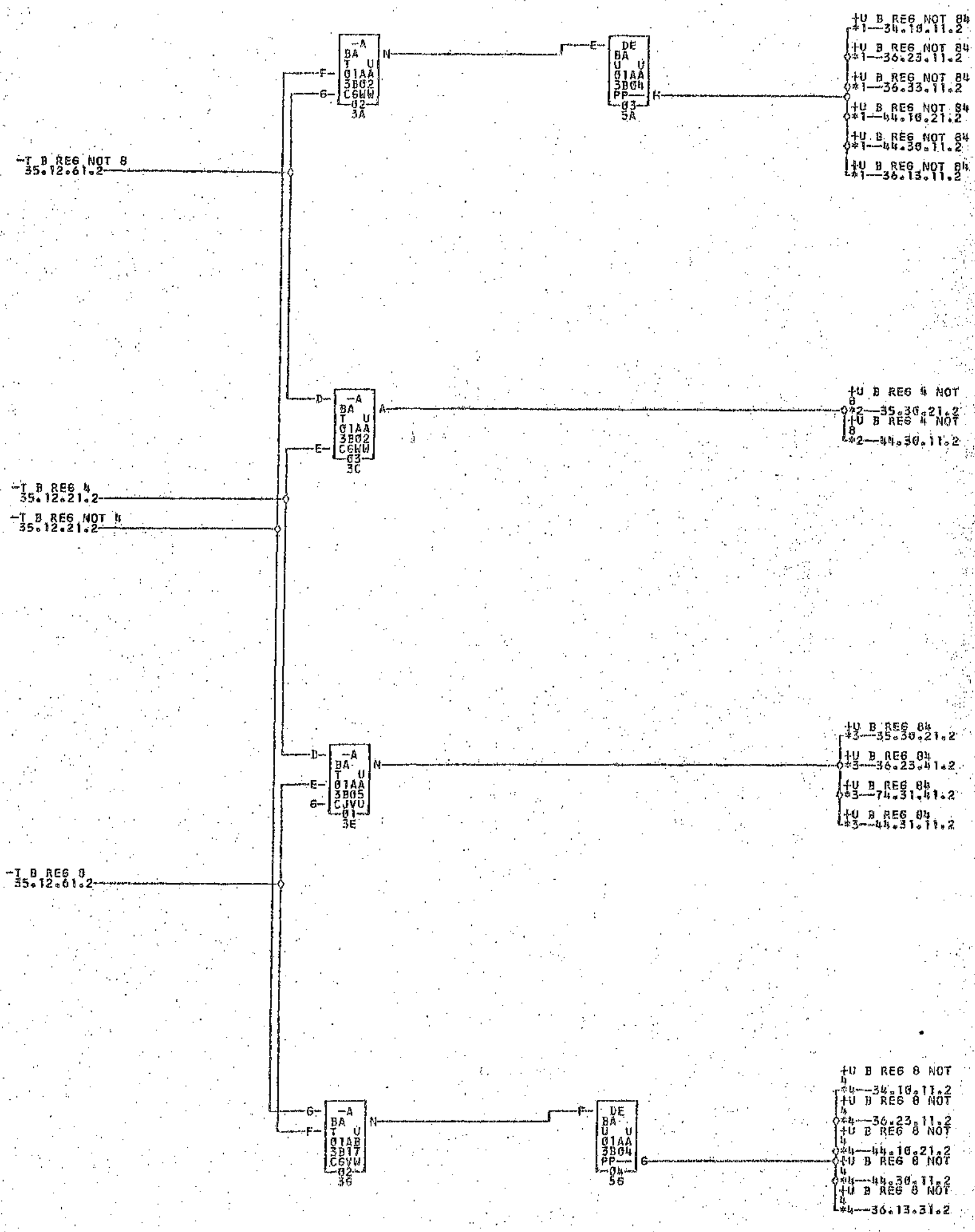
- *1---01A3F24M
- *2---01A3F24K
- *3---01A3F24J
- *4---01A3F24L
- *5---01A3F24N
- 01A6B24G
- 02A8A25F
- 02A8C07A
- 02A8C03A
- 02A8B19A
- 02B7A02C
- 02B7A02E
- 02B7A02F
- 02A8A25K
- 01B6D02N
- 02B7A02C
- 02B7A02E
- 02A8A25P
- 02A8A25M
- 01B6E03N
- 02B7C02J
- 02A8A25P
- 02A8A25M
- 01B6E03N
- 01A3F24K
- 01A3F24L
- 01A3F24N
- 01B7A03B
- 01B6D02L
- 01B6D02J
- 01B6D02K

0723671

B REGISTER COMBINED BITS 84

1401 BA

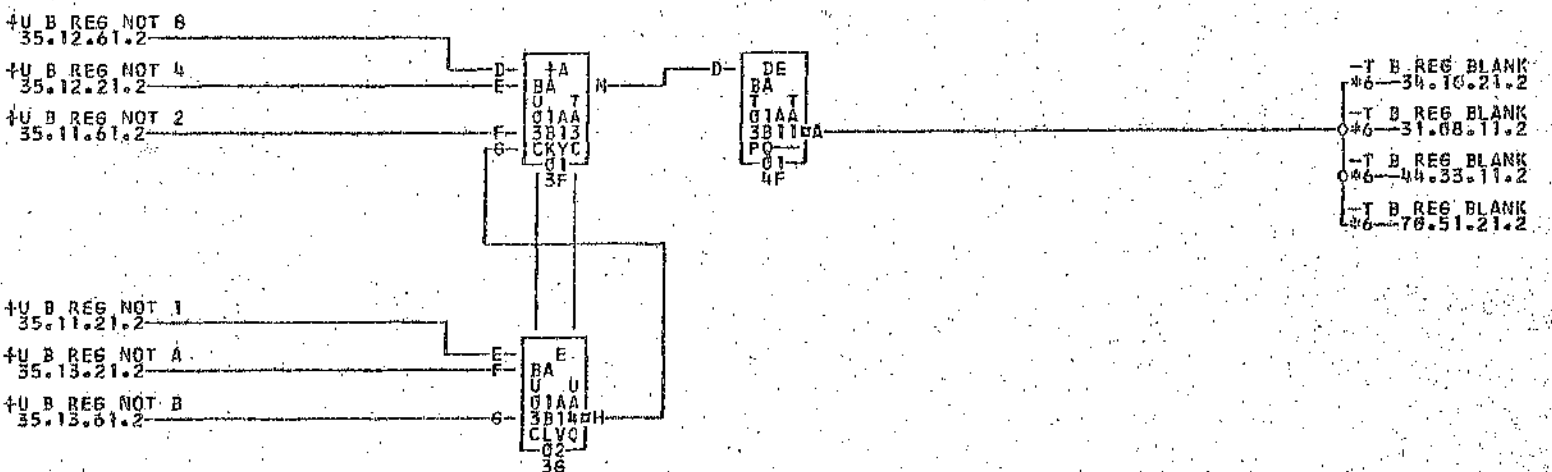
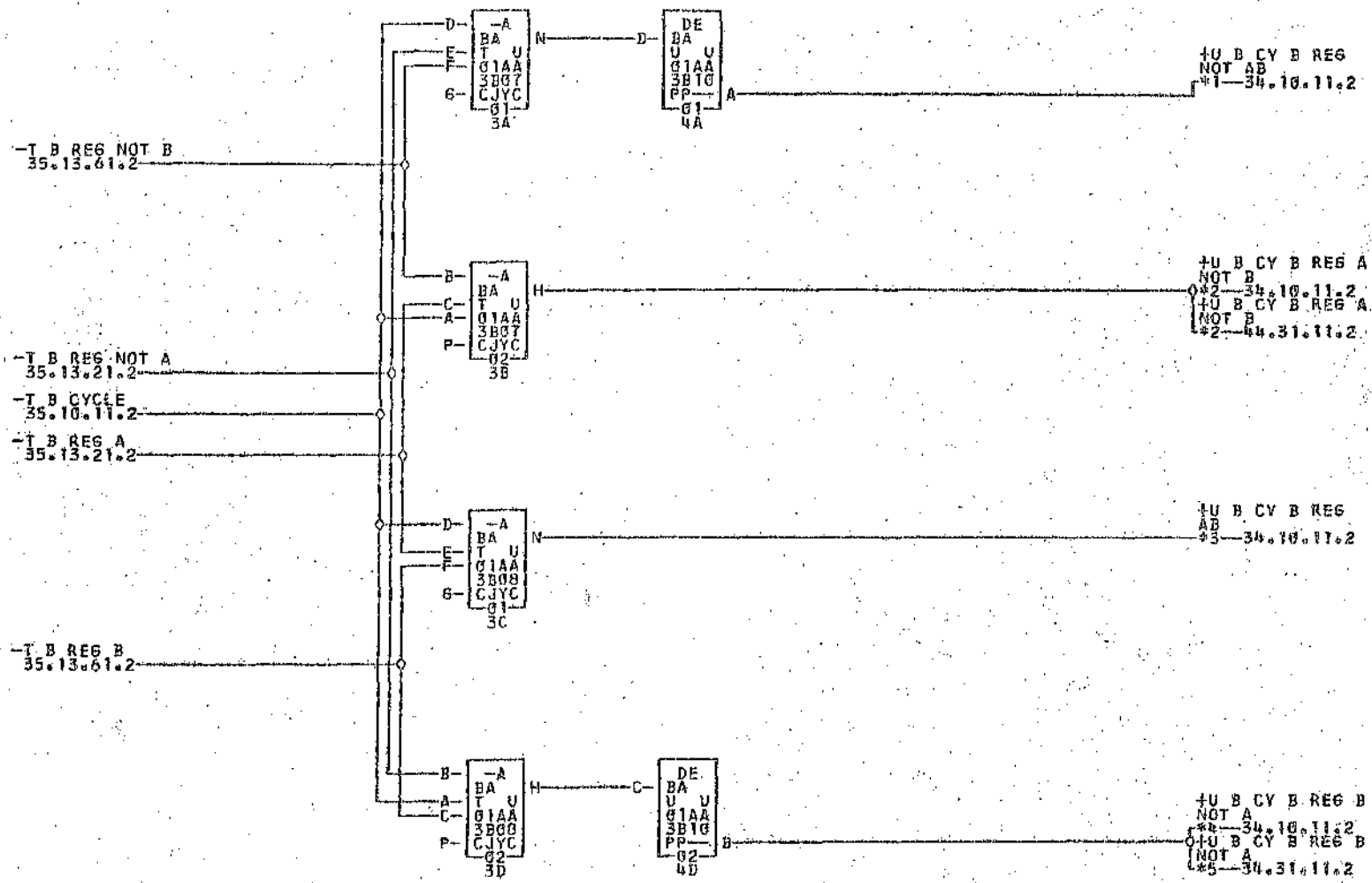
35.16.21.2



- *1-01A3E25B
- 01A6B26J
- 01B6D02H
- *2-01A3F240
- 01B4E03J
- 01B7A03L
- 02A0B07A
- 02A8A25D
- 02B7A02D
- 01B6D026
- 02ACB15A
- 02A8A25H
- *3-01A3E25A
- 01A6B26H
- 01B6D02E
- 01B7A03K
- 02A0C61A
- 02A8A25L
- 02B1C02H
- *4-01A3F24R
- 01B6D02F
- 01B6A03L
- 01B4B02L
- 01B7A03J
- 02A8A25J
- 02B7A02A

COMMENTS

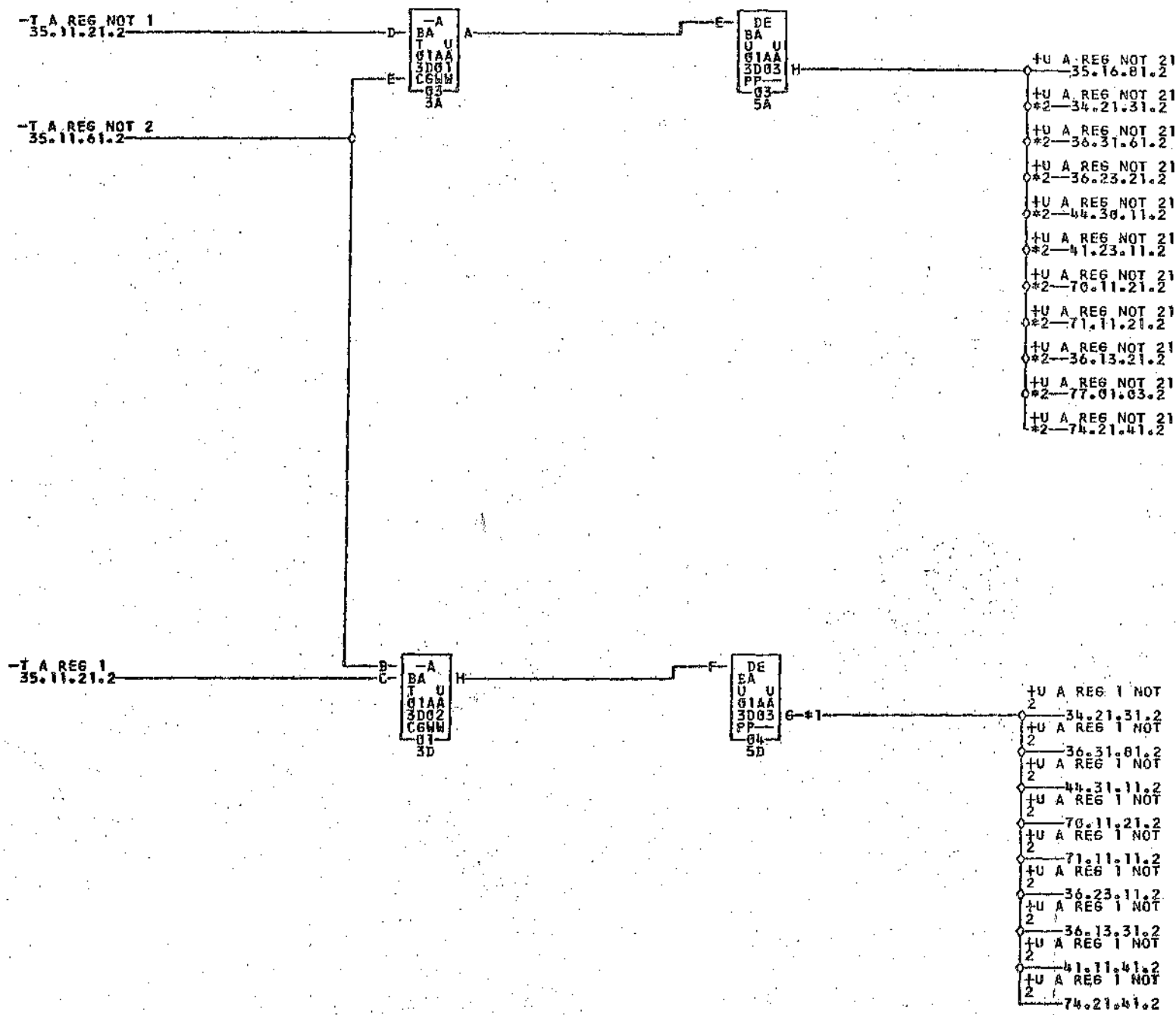
TAG	DATE	E.C.NO.	TAG	DATE	E.C.NO.	TAG	DATE	E.C.NO.	TAG	DATE	E.C.NO.
A	05-27-61	110320F	B	06-26-61	110324F	C	12-27-62	114054			



- *1---01A3E25H -----01B6C02D *2---01A3E25E -----01B6D02B -----02A0C05A -----02A8A25M
- *3---01A3E256 -----01B6D02N *4---01A3E25F -----01B6F01P -----01A3E25F -----01B3D03P
- 01B6D020 *6---01A3B25E -----01B2E02H -----01B6B02R -----01B54E03P -----02A8B17B
- 02A8A26R -----02A2A26L

COMMENTS

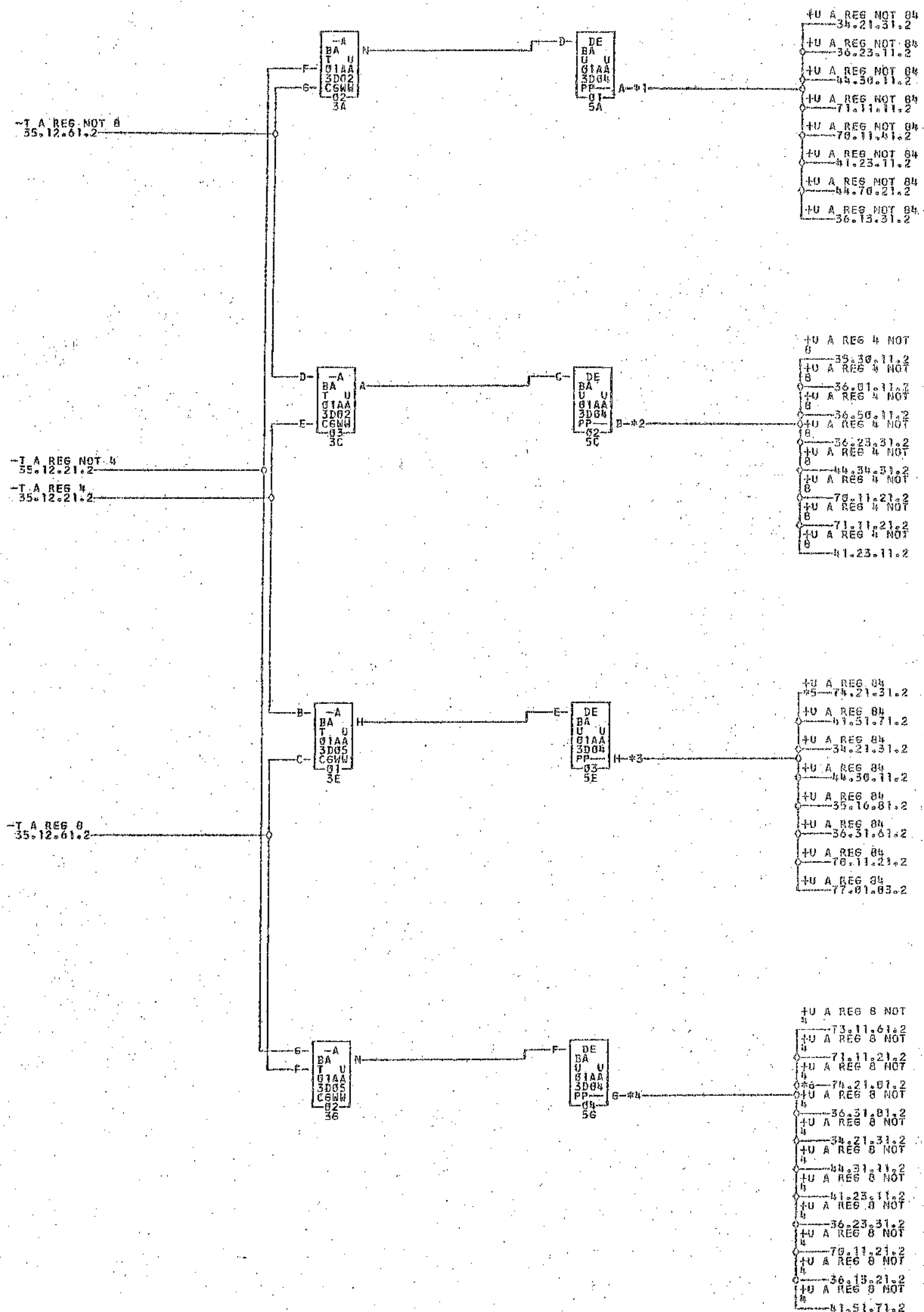
TAG	DATE	E.C.NO.	TAG	DATE	E.C.NO.	TAG	DATE	E.C.NO.	TAG	DATE	E.C.NO.
A	05-27-61	110320F	D	06-26-61	110324F	C	08-16-61	110324R	D	12-27-62	114054K



- *1—01A3E25J 01A6B26K 01B6B02L 01B6E03H 01B4E03H 01B7A03P
- 02A0B116 02A8A26A 02B1C02D 02A0B01B 02B8E02F 02A2C24J
- 02A1D26C *2—01A3E25M 01A6C25E 01B6B02M 01B6E03E 01B4E03L
- 01B7B03A 02A0B03A 02A8A25B 02A0B036 02A2C24L 02A1D266
- 02B1C02E 02B8E02B

COMMENTS

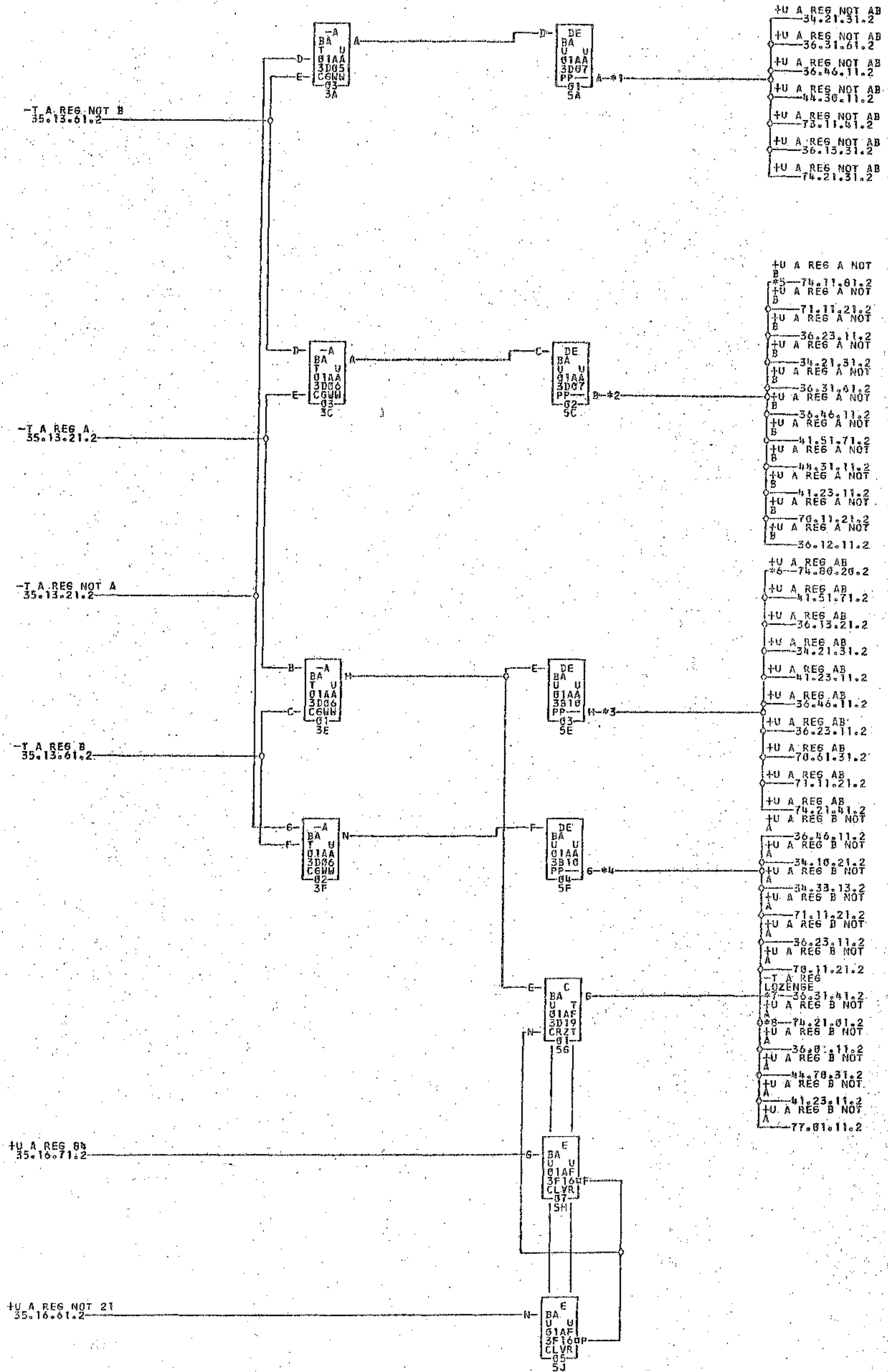
TAG DATE	E.C.NO.	TAG DATE	E.C.NO.	TAG DATE	E.C.NO.	TAG DATE	E.C.NO.
A 05-27-61	110320F	B 08-16-61	110324R	C 08-09-62	114048		



- *1-01A3D26A
- 02B8E02A
- 01A6C25C
- 02A0C05E
- *4-01A3E250
- 02A0C09A
- 02B8E02D
- 02B1B01R
- 01B6B02H
- 02A8A25A
- 01B2E026
- 02B8E02N
- 01B6B02E
- 01A6B26M
- 02B6C01J
- *5-01A3A22C
- 01B6A03D
- 02A0B016
- 01B6B026
- 02A0B176
- 02A0B11A
- 01B6B02F
- 02A8A250
- 02A0B11A
- 01B4B02D
- 02A1D26D
- 01B6A036
- 02A2C24H
- 02B6C01E
- 01B6E03K
- 02A0B076
- 02B1B01C
- 01B7B03D
- 02A2C246
- 01B4B026
- 02A1D26M
- 02A0A25F
- 01B4E03K
- 02A2C24E
- *6-01A3A22R
- *2-02A0B01A
- *3-01A3E25R
- *4-02A2C24F
- 01B7B03C
- 02A1D26L
- 02A0A076

COMMENTS

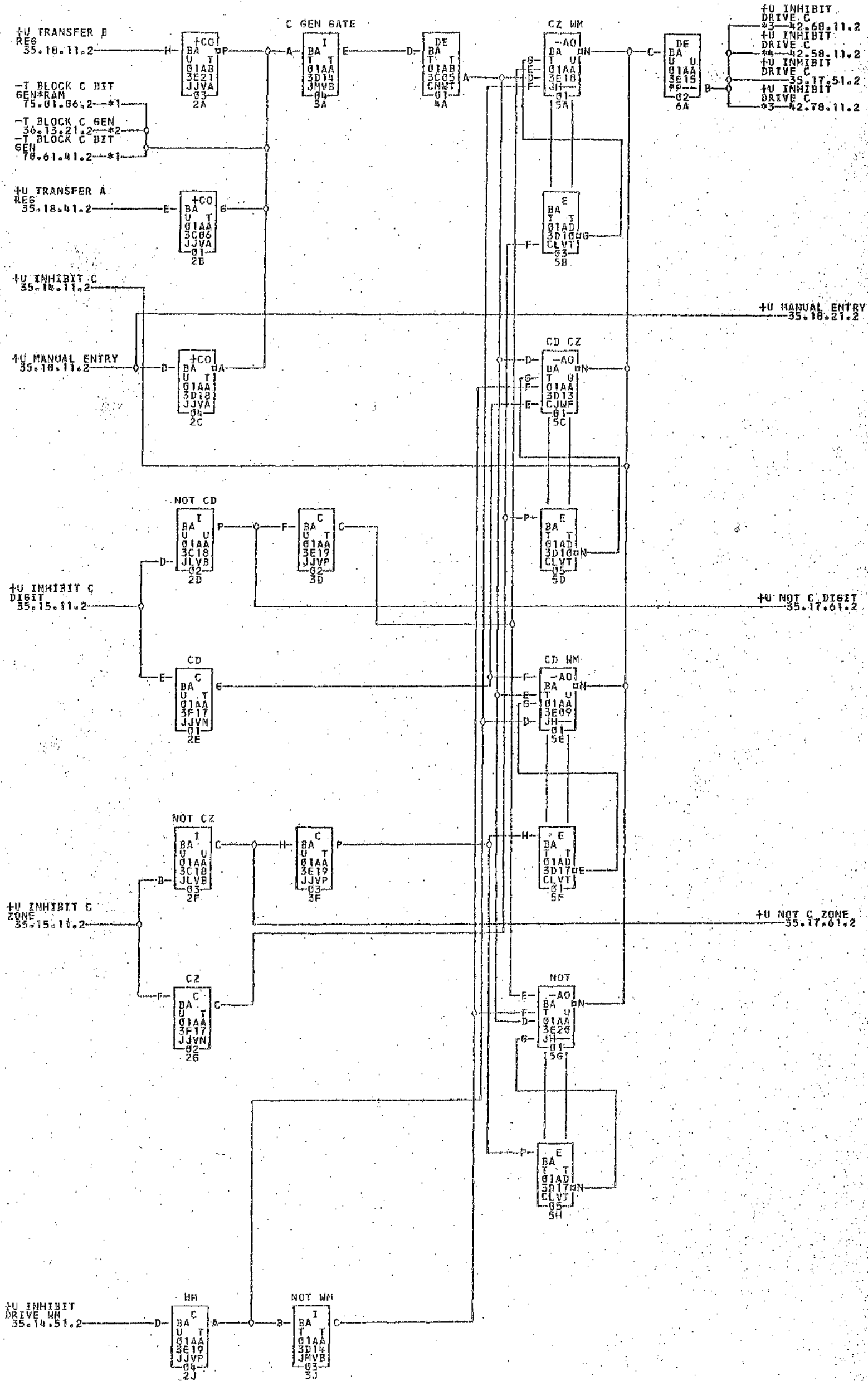
TAG	DATE	E.C.NO.	TAG	DATE	E.C.NO.	TAG	DATE	E.C.NO.	TAG	DATE	E.C.NO.
A	05-27-61	110320F	B	09-01-61	110320S	C	09-11-61	110320U	D	12-01-61	113022
E	11-17-62	114051	F	12-27-62	114054						



*1-01A3D26E	01A6B26P	01B1B01L	01B1D02N	*2-01B4D03N	01B6D02D
02A0B05A	02A8A25C	02A2C24A	02B1C02F	01A3D26B	01A6C25J
01B1B01H	01B6E03P	01B6E03A	01B4E03P	01A7B03E	02A8C11A
*3-02A2C24C	02A8A25R	02A0C13A	02B6C01K	02A1D260	02B8E02E
01A3D26D	01B1B01K	01B6B02A	01B6E01D	01B4E03L	01B7B03B
02A0C056	*4-02A2C24S	02B1C02G	02A9C11D	02B8E020	02B6C01F
02A1D266	01A3D26C	01A6C25K	01B1B01J	01B6B02C	01B7B03F
01B3D03K	02A8C03G	02A8C23J	02A2C24D	02A8C09D	02B6C01N
02B8E02R	02A1D26N	*5-01A3A22A	02A8A17E	02B1B01A	*6-01A3E24L
01A5C26L	01A5E26Q	02A9C19G	02B8C040	*7-01A3A26C	01A6B26R
*0-01A3A22B	02A8A19E	02D1B01B			

COMMENTS

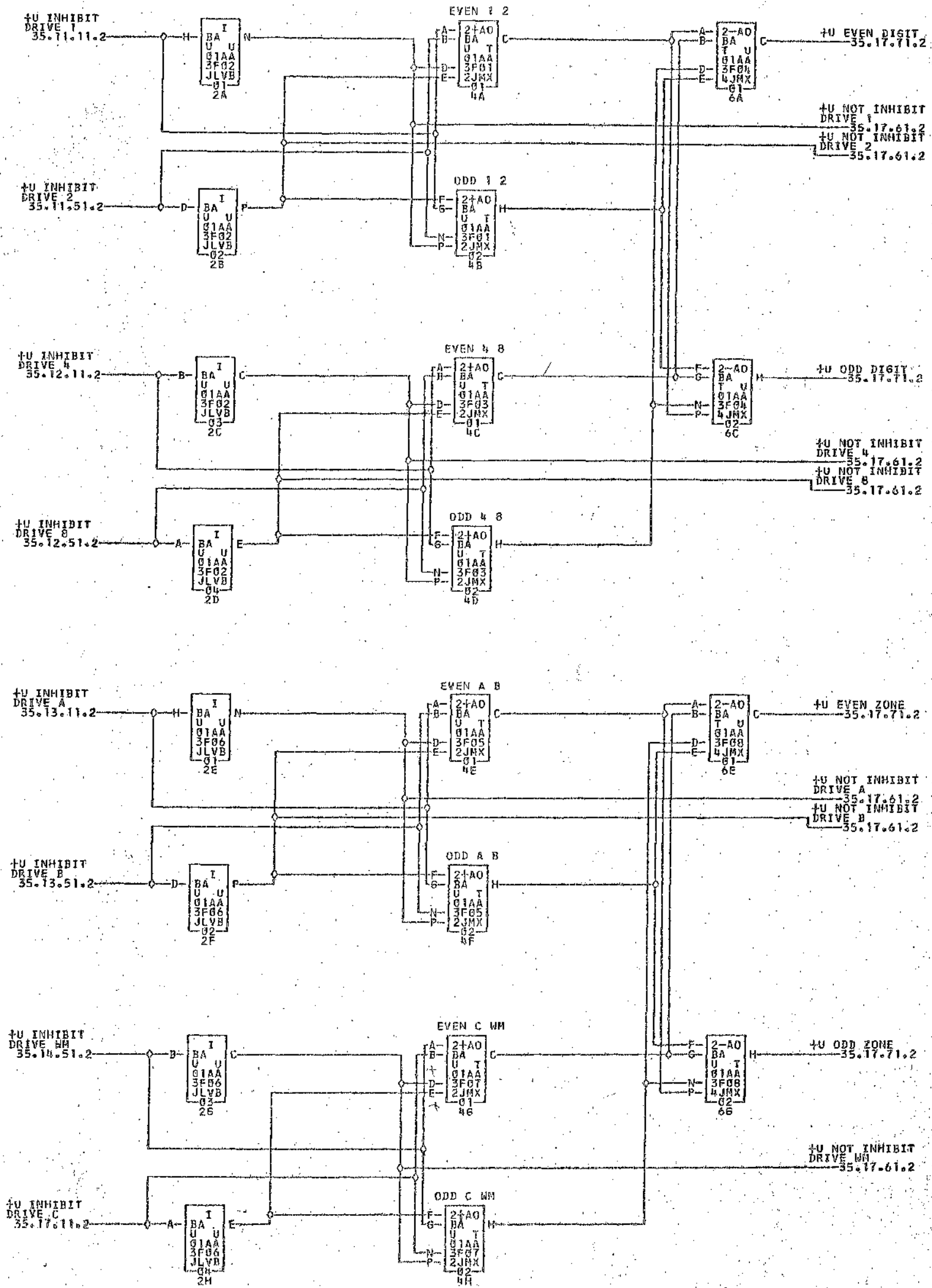
TAG	DATE	E.C.NO.	TAG	DATE	E.C.NO.	TAG	DATE	E.C.NO.	TAG	DATE	E.C.NO.
A	05-27-61	110320F	B	08-26-61	110324F	C	08-16-61	110324R	D	09-11-61	110324U
E	12-01-61	115422	F	12-27-62	114054						



*1---01A3F23R *2---01A3A23M *3---01A3F25B ---06B7A08B
 #1---01A3A25B ---02A0E05C ---02A6F24P ---01A1F01B

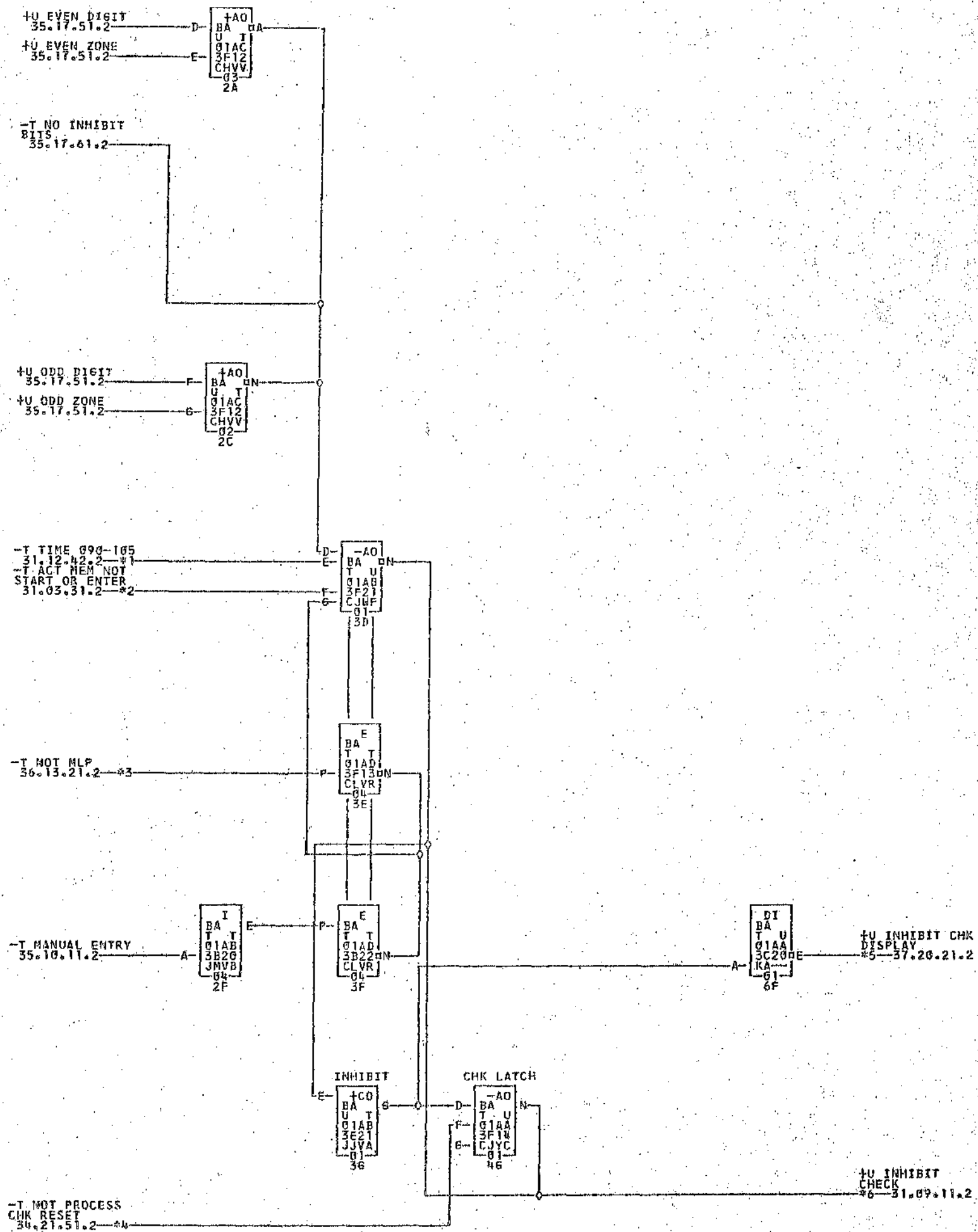
COMMENTS

TAG DATE E.C.NO. TAG DATE E.C.NO. TAG DATE E.C.NO. TAG DATE E.C.NO.
 A 65-27-61 110320F B 66-26-61 110324F C 12-01-61 113422 D 12-27-62 110054



COMMENTS

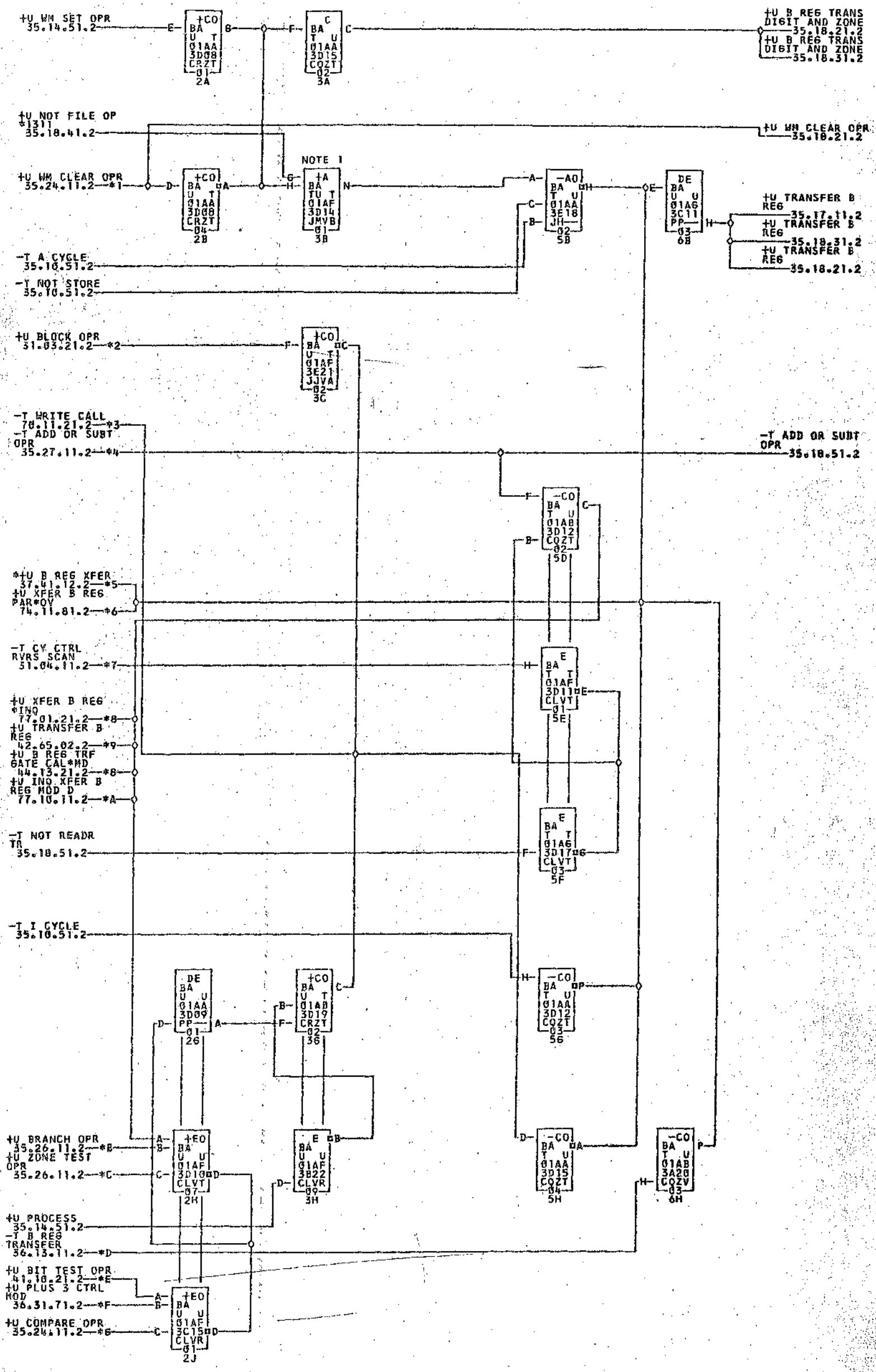
TAG	DATE	E.C.NO.	TAG	DATE	E.C.NO.	TAG	DATE	E.C.NO.	TAG	DATE	E.C.NO.
A	05-27-61	110320P	B	12-27-62	114054						



- #1—01A3C26A #2—01A3D24H #3—01A3D25H #4—01A3B26J #5—01A3C26P #6—01B3E01P
- 01B3F02B 01A2A1BB 01A3D24D 01B2D03D

COMMENTS

TAG	DATE	E.C.NO.	TAG	DATE	E.C.NO.	TAG	DATE	E.C.NO.	TAG	DATE	E.C.NO.
A	05-27-61	110320F	B	06-26-61	110324F	C	10-10-61	112240	D	12-27-62	110054

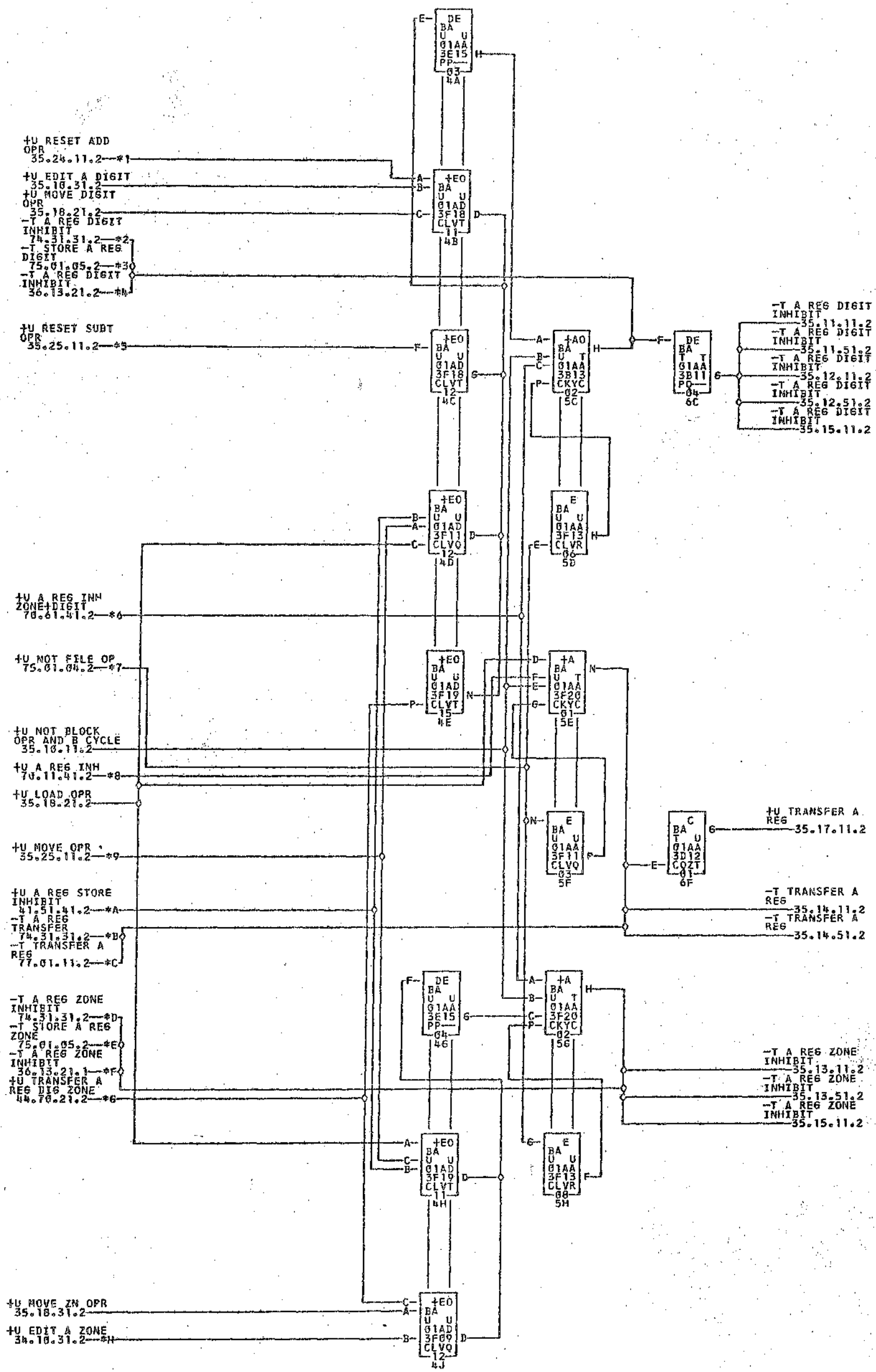


- *1-01A3B24J *2-01A3D24Q *3-01A3Q23N *4-01A3D24D *5-01A3A26P *A-01B8C17
- *6-01A3A22F *7-01A3D24K *8-01A3E23J *9-01A3E23Q *0-06B7A080 *B-01A3B24B
- *D-01A3A23N *E-01A3B24P *F-01A3A25R *G-01A3B24K *8-01B8A01T *C-01A3B24C

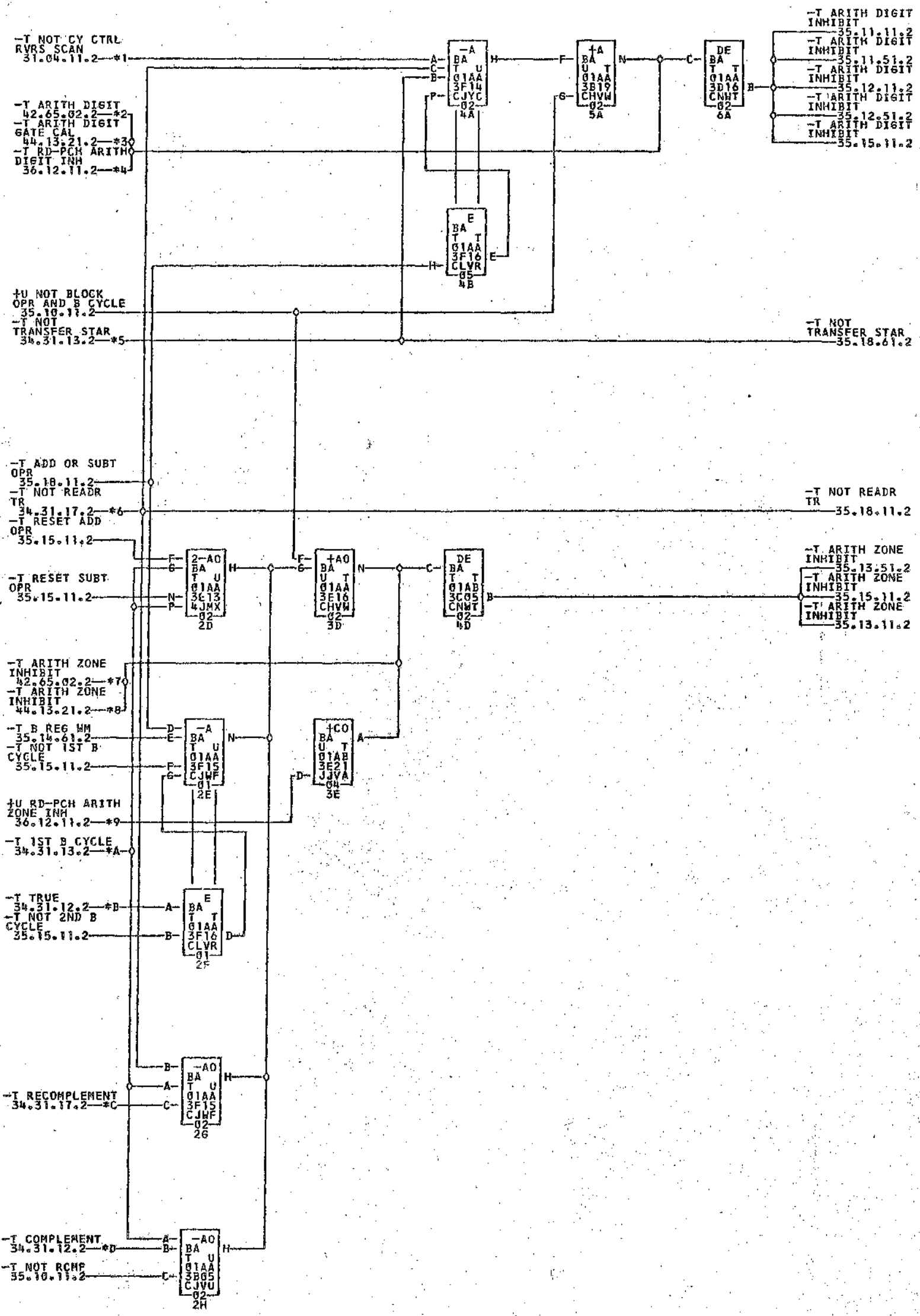
NOTE- WHEN A SIGNAL IS PRECEDED BY AN ASTERISK, ITS EXPANSION INDICATES CABLE WIRING FOR REMOTE RECYCLE CONTROL INSTALLATION.

NOTE 1 -U NOT FILE OP #1311 SIGNAL NOT PRESENT WITH 1405 ATTACHED.

TAG DATE E.C.NO.	TAG DATE E.C.NO.	TAG DATE E.C.NO.	TAG DATE E.C.NO.
A 05-27-61 110320F	B 06-26-61 110324F	C 08-16-61 110324R	D 12-01-61 113022
E 08-29-62 114043	F 12-27-62 114054	G 01-29-63 114058	



- *1—01A3B24F *2—01A3A22L *3—01A3E23M ————02A9F11B ————02A8E24C *4—01A3A23B
- *5—01A3B24G *6—01A3D23P *7—01A3E23P ————02A9F15B ————02A8E24E *8—01A3D23H
- *9—01A3A26F *A—01A3F23H *B—01A3A22N ————01A3E23L *C—01A3A22M *E—01A3E23N
- 02A8C02N ————02A8E24D *F—01A3A23C *G—01A3D23Q *H—01A3B26R



- #1-01A3D24J
- #2-01A3F25P
- #3-01A3E23C
- #4-01A3A23E
- #5-01A3C25R
- #6-01A3C25N
- #7-01A3F25N
- #8-01A3E23K
- #9-01A3A23F
- #A-01A3C26J
- #B-01A3C26H
- #C-01A3C25H
- #D-01A3C25P

COMMENTS

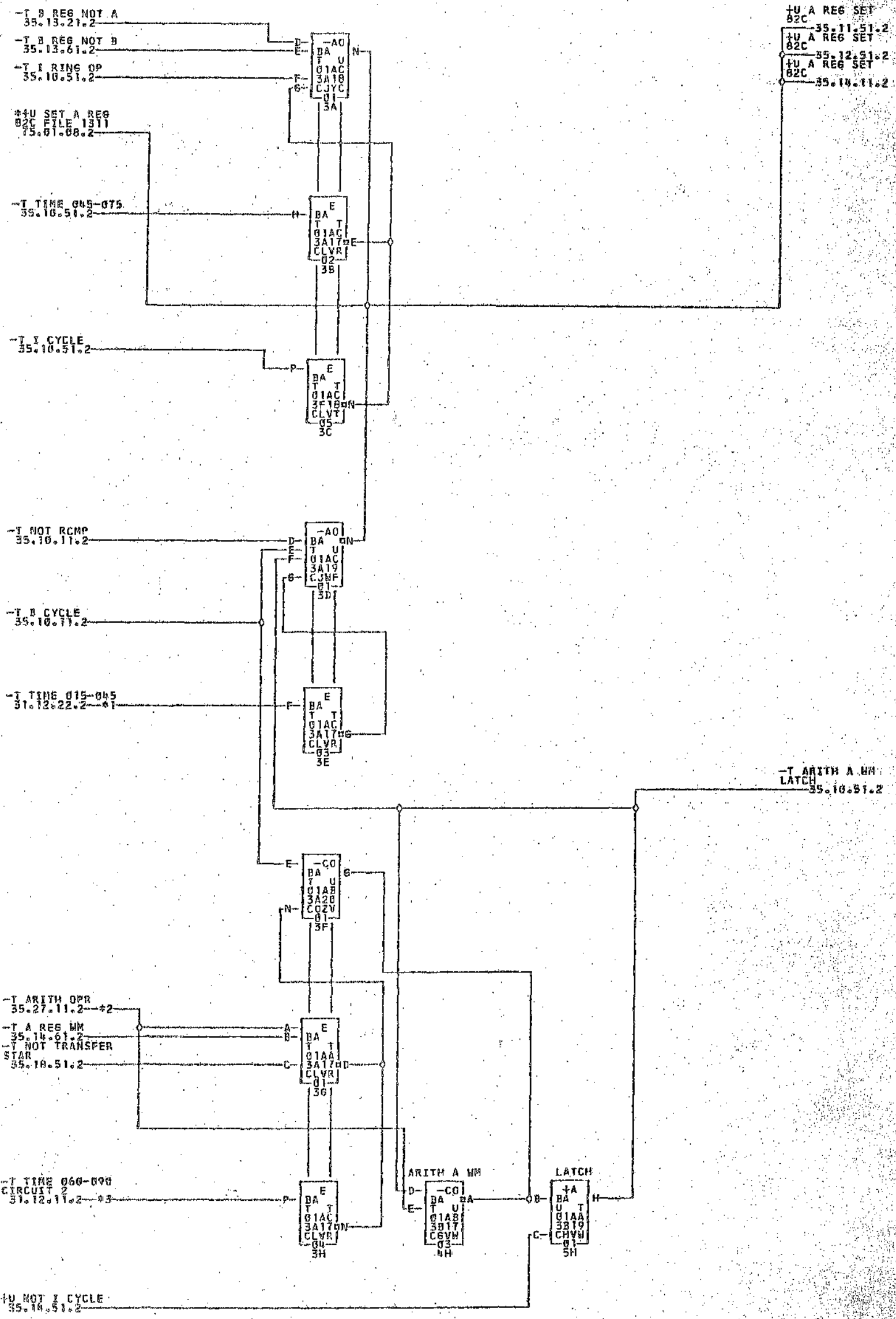
TAG	DATE	E.C.NO.	TAG	DATE	E.C.NO.	TAG	DATE	E.C.NO.
A	05-27-61	110320F	B	06-26-61	110324F	C	08-09-62	114040

0723686

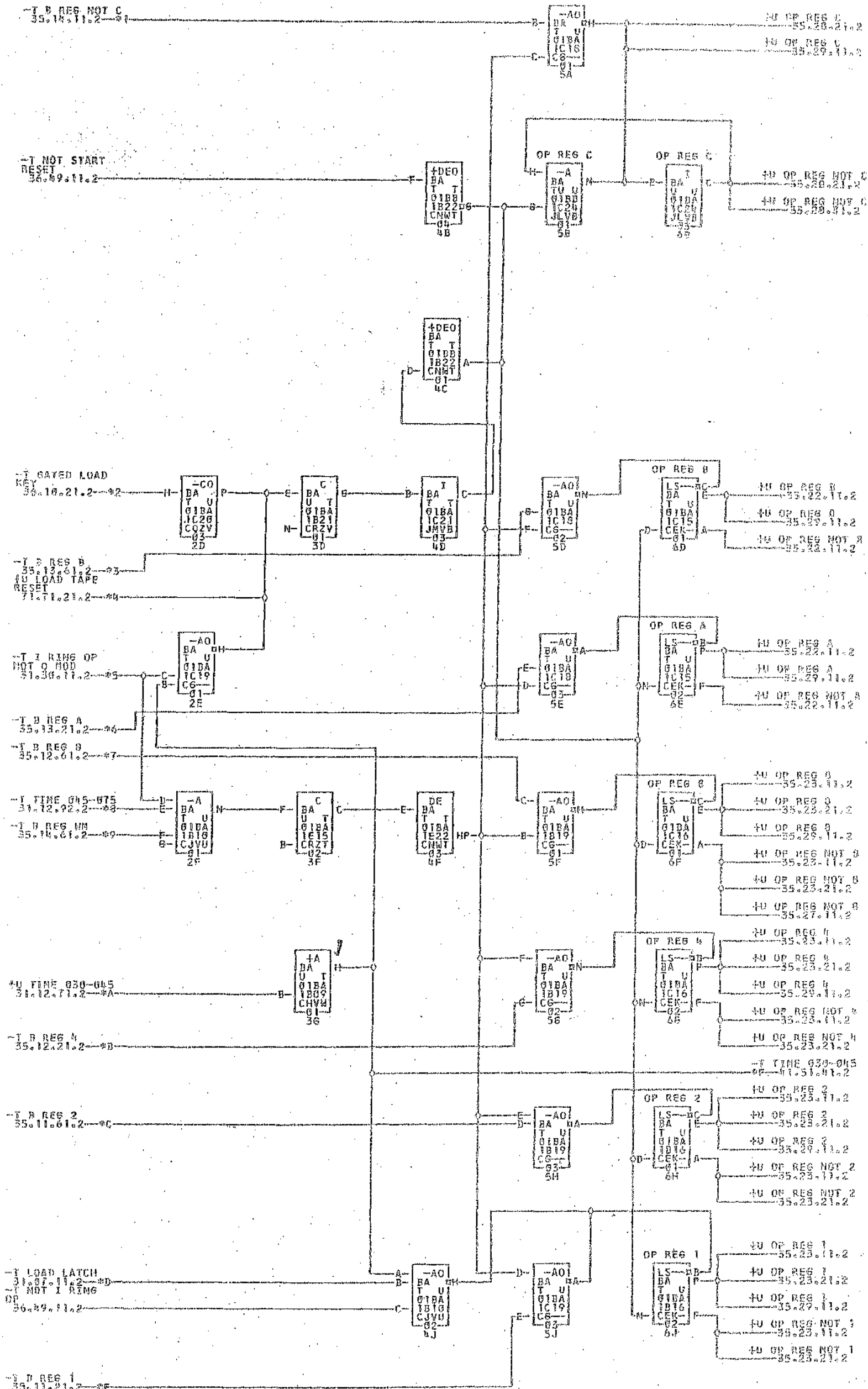
A REG SET B2C AND ARITH WM LATCH

1001 BA

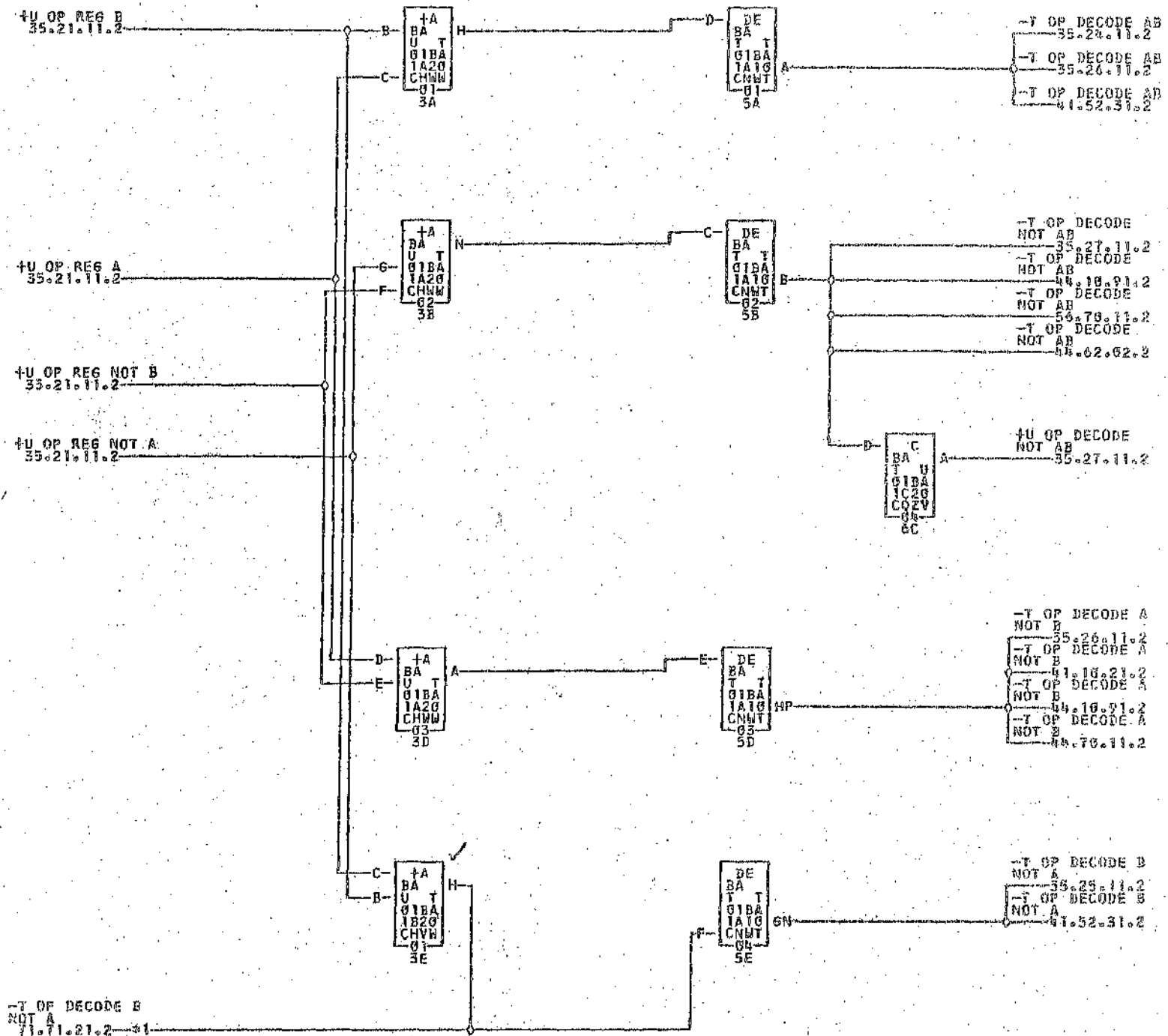
35.10.01.2



*1-01A3C266 *2-01A3B24A *3-01A3B25L



- *1—01B1003A
- *2—01B1002R
- *3—01B1001F
- *4—01B1003A
- *5—01B1001B
- *6—01B1001E
- *7—01B1001D
- *8—01B1002L
- *9—01B1003B
- *A—01B1002M
- *B—01B1001C
- *C—01B1001S
- *D—01B1001H
- *E—01B1001A
- *F—01B1003R
- *G—02A0F12A
- *H—02B6C05K



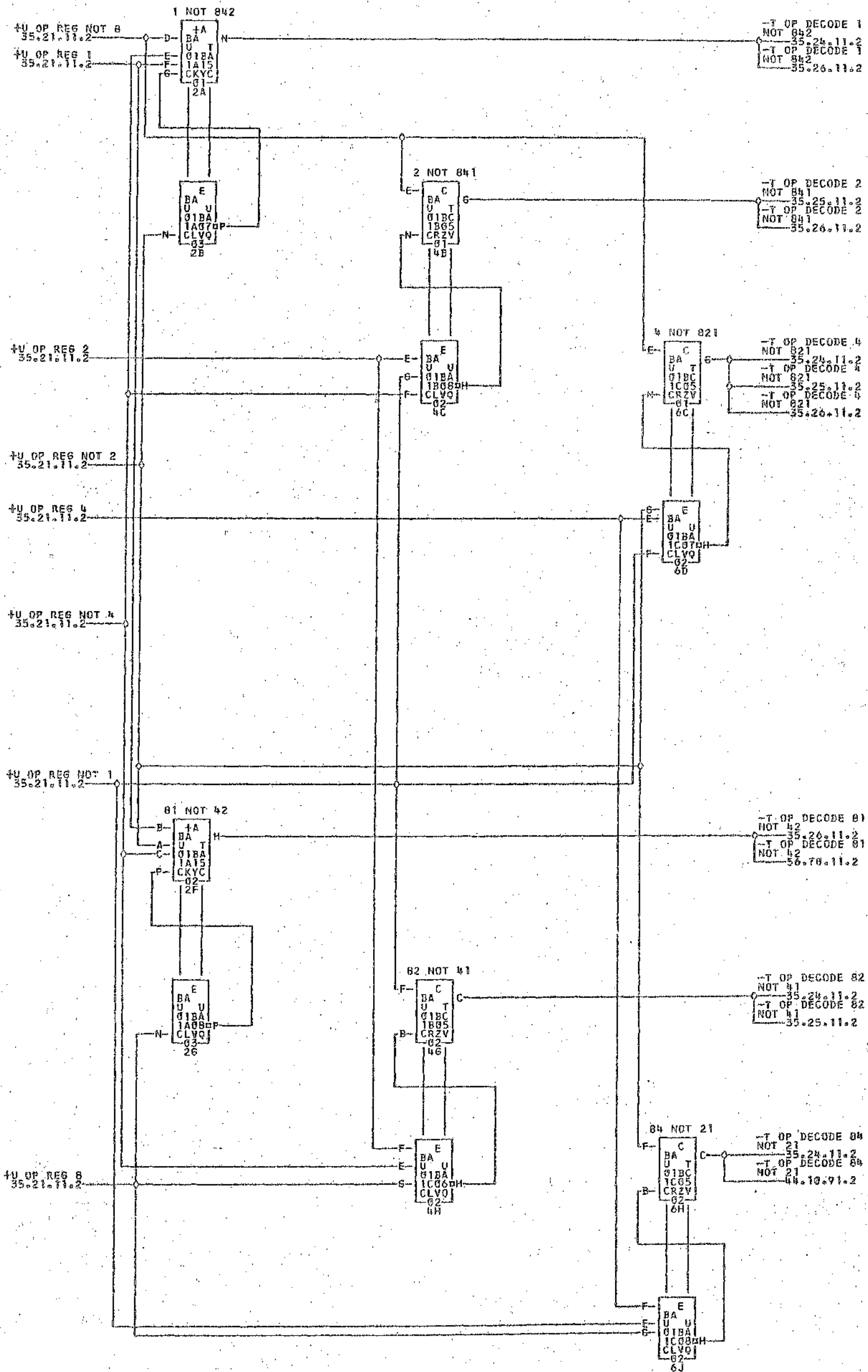
FILT
BA
G1BA
IC23
6J
01
4F

FILT
BA
G1BA
IF15
6J
01
4G

*1--G1B1C63D

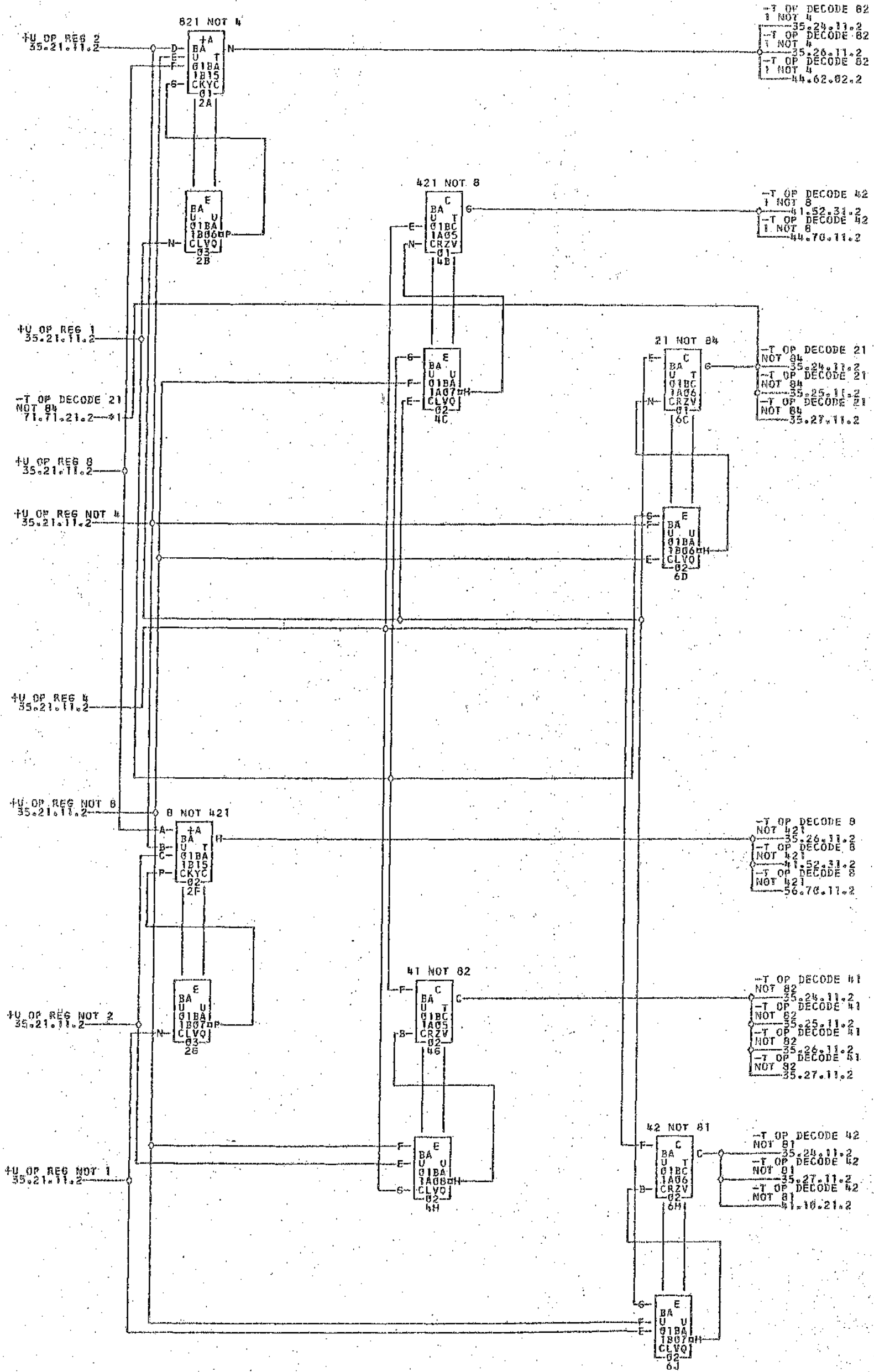
COMMENTS

TAG	DATE	E.C.NO.	TAG	DATE	E.C.NO.	TAG	DATE	E.C.NO.
A	06-65-01	110328P	B	12-21-62	114052			



COMMENTS

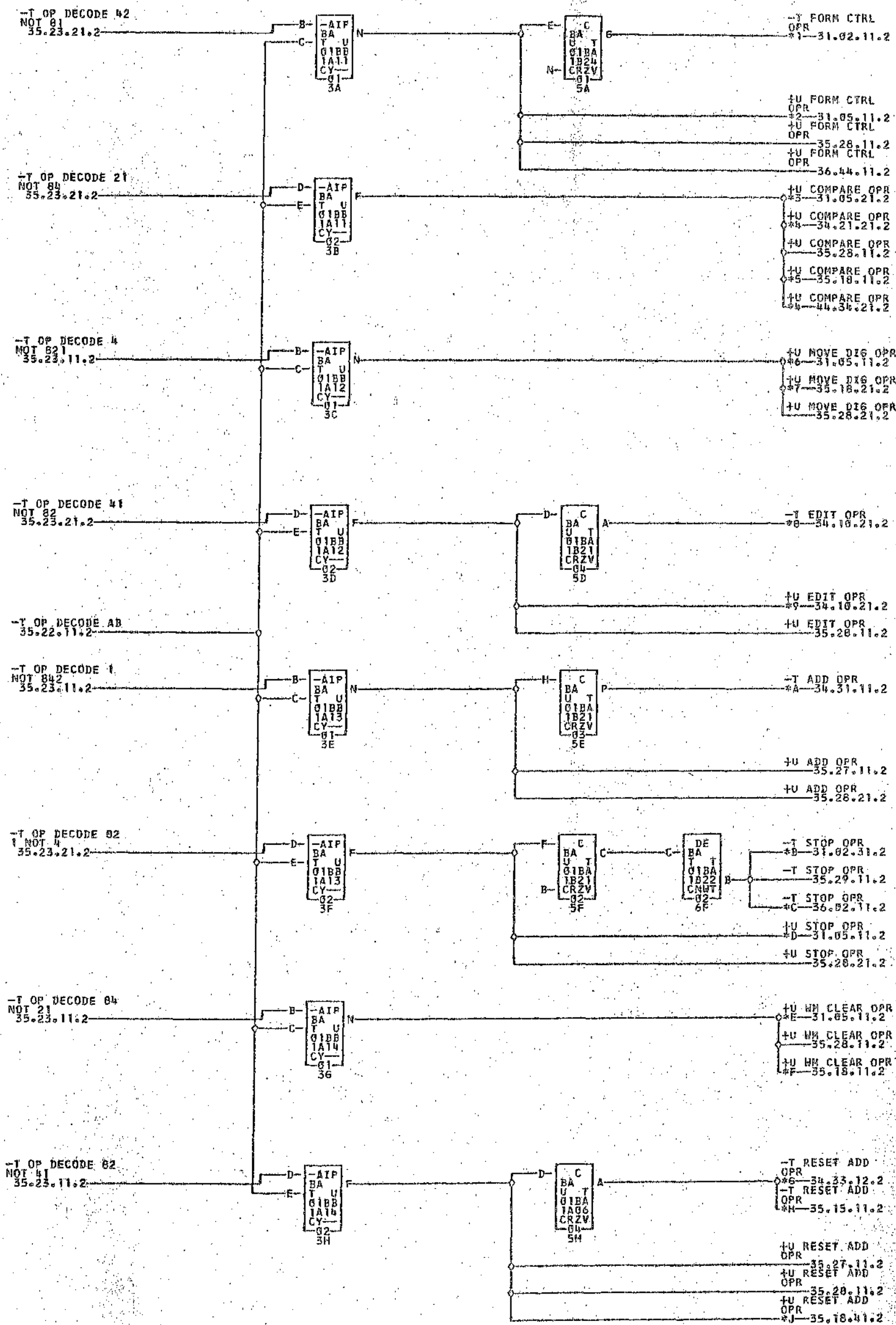
TAG	DATE	E.C.NO.	TAG	DATE	E.C.NO.	TAG	DATE	E.C.NO.	TAG	DATE	E.C.NO.
A	86-05-61	110320P	B	12-04-61	113422	C	12-21-62	114632			



01--01B1C03B

COMMENTS

TAG	DATE	E.C.NO.	TAG	DATE	E.C.NO.	TAG	DATE	E.C.NO.	TAG	DATE	E.C.NO.
A	06-05-61	110320P	B	12-04-61	113422	C	12-21-62	114052			



*1-01B1D61L
 *4-01B1A62A
 *6-01B1C61F
 *9-01B1A62B
 *C-01B1D62J
 *F-01B1B02J
 *J-01B1B02F

01B2C02L
 01B2D01A
 01B2B02F
 01B2D01B
 01B2D03J
 01A3B24J
 01A3B24F

*2-01B1D61M
 *7-02A9D01D
 *A-01B1B02M
 *D-01B1C016
 *6-01B1E62C

01B2C02M
 02A8B25D
 01A3B24M
 01B3D02A
 01B2B026
 01B3D02C

*3-01B1C01E
 *5-01B1B02K
 *8-01B1A02N
 *B-01B1C01P
 *E-01B1D61E
 *H-01B1B02L

01B2B02E
 01A3B24K
 01B6D01N
 01B2B02P
 01B2C02E
 01A3B24L

COMMENTS

TAG DATE E.C.NO. TAG DATE E.C.NO. TAG DATE E.C.NO. TAG DATE E.C.NO.
 A 66-05-61 110320P B 12-04-61 113422 C 12-21-62 114052

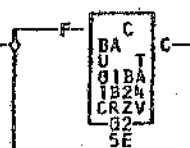
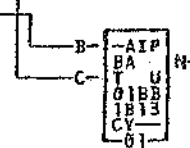
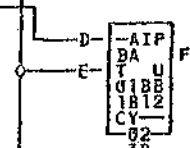
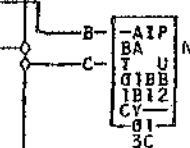
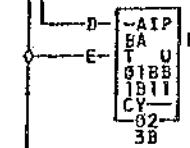
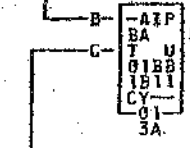
-T OP DECODE 2
NOT 84
35.23.11.2

-T OP DECODE 21
NOT 84
35.23.21.2

-T OP DECODE 4
NOT 821
35.23.11.2
-T OP DECODE B
NOT A
35.22.11.2

-T OP DECODE 41
NOT 82
35.23.21.2

-T OP DECODE 82
NOT 81
35.23.11.2

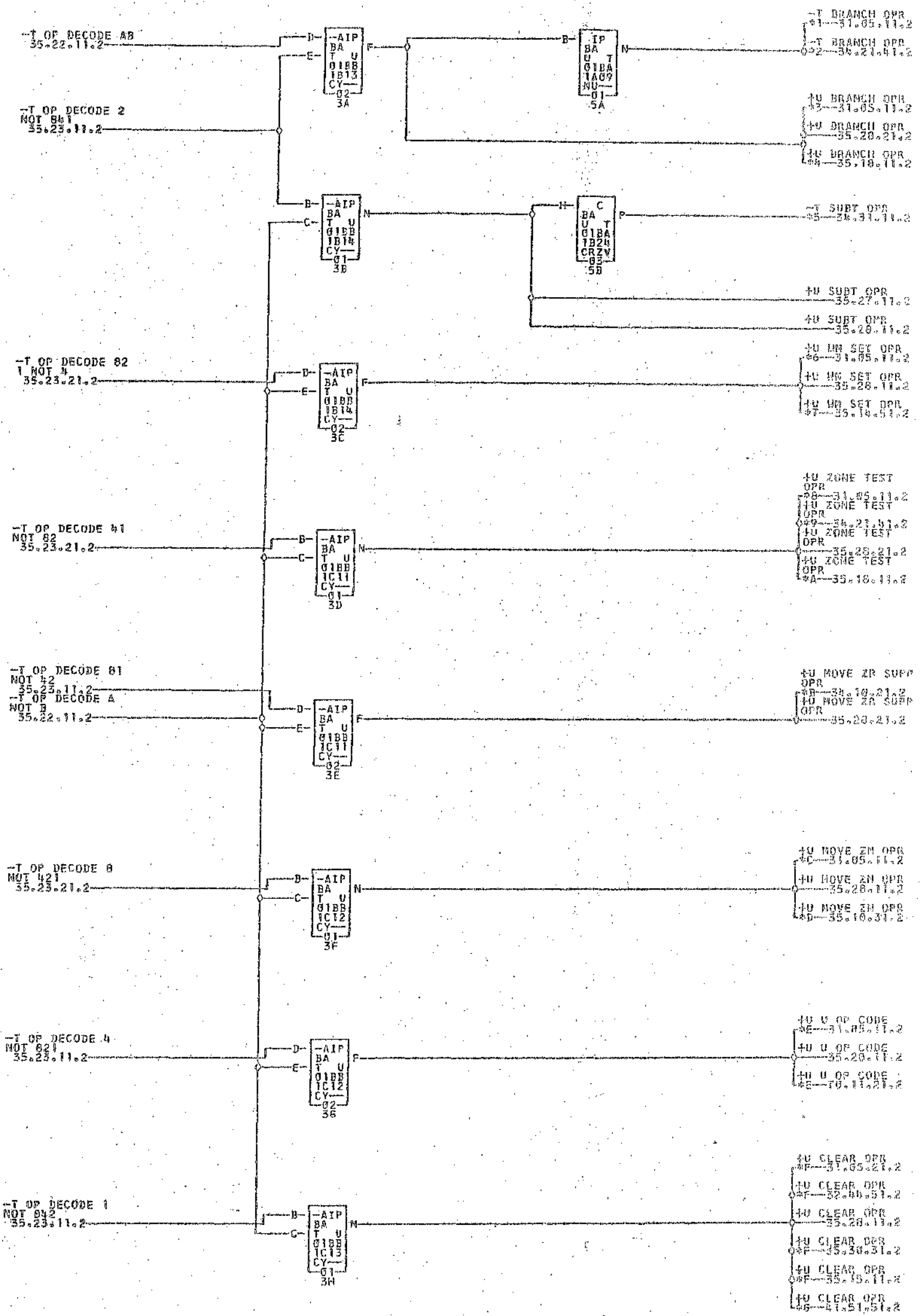


- +U STACK SEL OPR *1-31.05.11.2
- +U STACK SEL OPR *2-35.28.11.2
- +U STACK SEL OPR *2-36.50.11.2
- +U STACK SEL OPR *3-73.11.71.2
- +U STACK SEL OPR *1-74.21.01.2
- +U LOAD OPR *4-31.05.21.2
- +U LOAD OPR *4-32.33.21.2
- +U LOAD OPR *4-35.28.21.2
- +U LOAD OPR *4-35.30.31.2
- +U LOAD OPR *4-35.18.21.2
- +U LOAD OPR *5-74.61.21.2
- +U LOAD OPR* MOD D *6-77.40.41.2
- +U LOAD OPR *7-75.01.04.2
- +U MOVE OPR *8-32.33.21.2
- +U MOVE OPR *8-35.28.11.2
- +U MOVE OPR *8-35.18.41.2
- +U MOVE OPR *9-44.70.21.2
- +U MOVE OPR *9-75.01.02.2
- +U MOVE OPR *9-73.12.11.2
- +U MOVE OPR* MOD D *A-77.40.11.2
- +U MOVE OPR *8-U.11.41.2
- +U MOVE OPR *8-31.05.21.2
- +U NO OPR *B-35.28.21.2
- +U NO OPR *B-70.11.21.2
- +U NO OPR *C-31.05.11.2
- T RESET SUBT OPR *D-34.33.12.2
- T RESET SUBT OPR *E-35.15.11.2
- +U RESET SUBT OPR *35.27.11.2
- +U RESET SUBT OPR *35.28.21.2
- +U RESET SUBT OPR *F-35.18.41.2

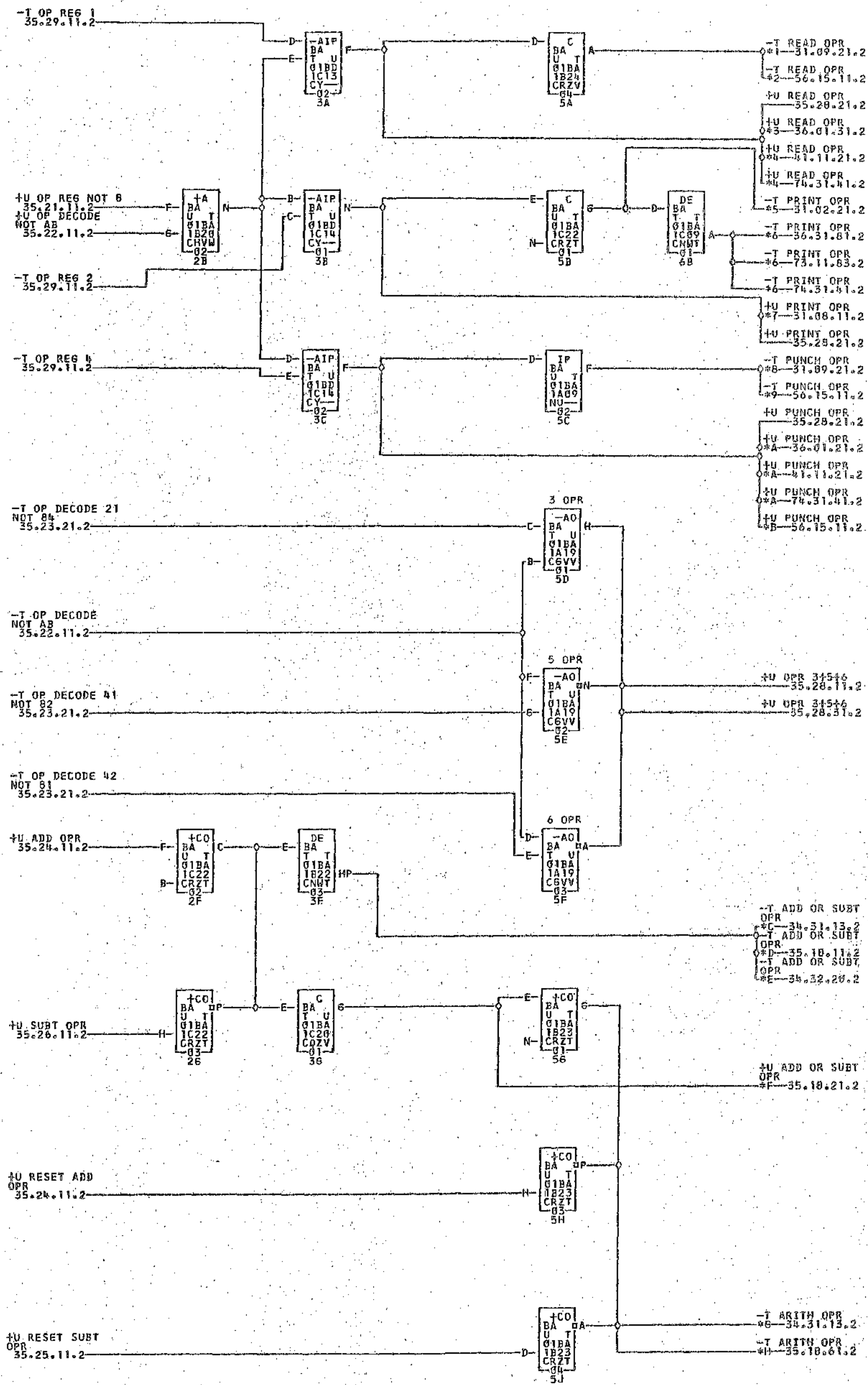
*1-01B1C01H	-----01B2B02H	-----01B2D05R	*4-02B1C03R	*2-01B1D02F	-----01B4D03F
*3-01B1C03E	-----02A0E17B	-----02A2C23E	*4-01B1B03G	*5-01B1C03C	-----02A0E13B
-----02A2C23C	*6-01B1A03H	-----02A0F03A	-----01B7D04M	-----01B7D03F	-----01B8A00H
*7-01B1A03H	-----02A0F03A	-----02A0F23B	*8-01B1B03F	-----01A7A26K	-----01B2602B
-----01A3A26F	-----02A0B17E	-----02B0E03R	*9-01B1A03A	-----02A0E09A	-----02B6C03A
-----02A2D256	-----02A0F23A	*A-01B1A03A	-----02A0E09A	-----01B7D04L	-----01B7D03E
-----01B8A00H	*B-01B1C03J	-----02A2C23J	-----02A0F05B	*C-01B1D01K	-----01B2C02K
*D-01B1E02D	-----01B3D02D	*E-01B1B02Q	-----01A3B24Q	*F-01B1B026	-----01A3B24G

COMMENTS

TAG	DATE	E.C.NO.	TAG	DATE	E.C.NO.	TAG	DATE	E.C.NO.	TAG	DATE	E.C.NO.
A	06-05-61	110320P	B	12-04-61	113422	C	08-09-62	114010	D	11-12-62	114040



*1-01B1C51L	01B2B02L	*2-01B1A02E	01B6D01E	*3-01B1D01F	01B2C02F
*4-01B1B02B	01A3B24B	*5-01B1E02F	01B3D02F	*6-01B1C01A	01B2B02A
*7-01B1B02H	*8-01A3B24H	*8-01B1D01F	01B2C02C	*9-01B1A02F	*A-01B1B02C
01A3B24C	*E-01B1A02F	01B6D01E	*C-01B1C01H	01B2B02H	*D-01B1B02H
01A3B24N	*F-01B1C036	02A0C15F	02A2C238	02A2C24A	02A0C15F
01B2C01A	*F-01B1B03H	*6-01B1A03F	02A0E19A	02B0C03F	



- *1-01B1C018
- *3-02B1D026
- *2-02A9A07F
- *0-02B1E01F
- *A-01B7A01H
- *B-02B1D02L
- *D-01B3D02G
- *F-01B6F01L
- *1A-01A3B24A

- *4-01B2B02B
- *5-01B1C01C
- *0-02B1E02B
- *A-01B1C01D
- *B-01B1D02H
- *D-01B1B02D
- *F-01B1B02E

- *2-01B1D02B
- *7-01B1D01P
- *0-01B2B02D
- *A-01B4D03H
- *B-01B4D03H
- *D-01A3B24D
- *1A-01A3B24E

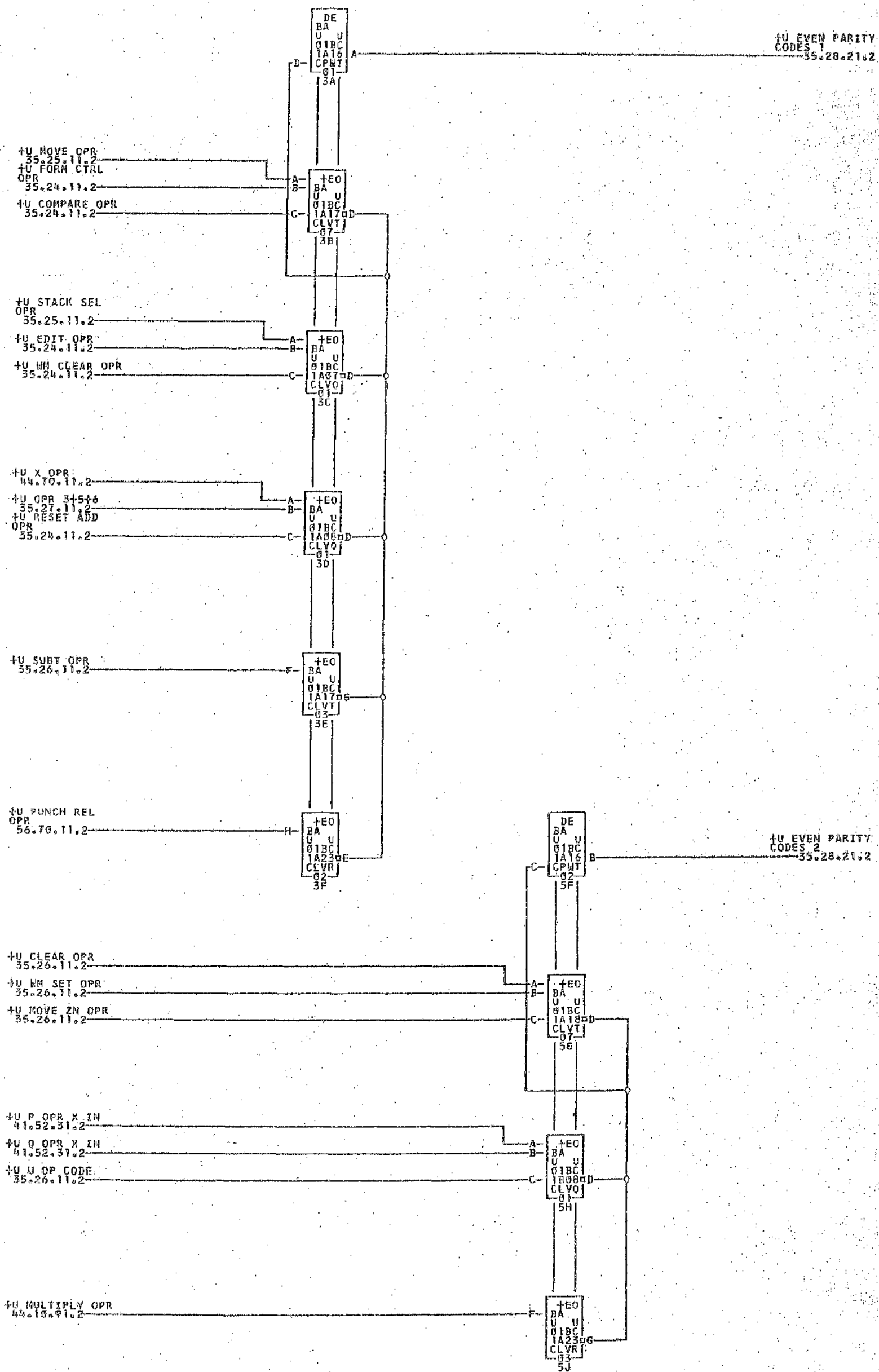
- *6-01B4D03R
- *9-01B2C02P
- *E-01B4F01D
- *0-01B1E02B

- *1B-01B4B03R
- *1A-01A6D02F
- *0-01B4D03C
- *2A-02A9E03C
- *B-01B7E03D
- *D-01B3D02B

- *1B-01B7B01R
- *2B-02B8F02R
- *1A-01A6F23F
- *2A-02A0A03C
- *1B-01B4C03H
- *2B-02B8F02D
- *C-01B1E02G
- *D-01B3E01L
- *H-01B1B02A

COMMENTS

TAG DATE E.C.NO. TAG DATE E.C.NO. TAG DATE E.C.NO. TAG DATE E.C.NO. TAG DATE E.C.NO.
 A 06-05-61 110320P B 06-26-61 110324C C 08-15-61 110324N D 12-04-61 110322



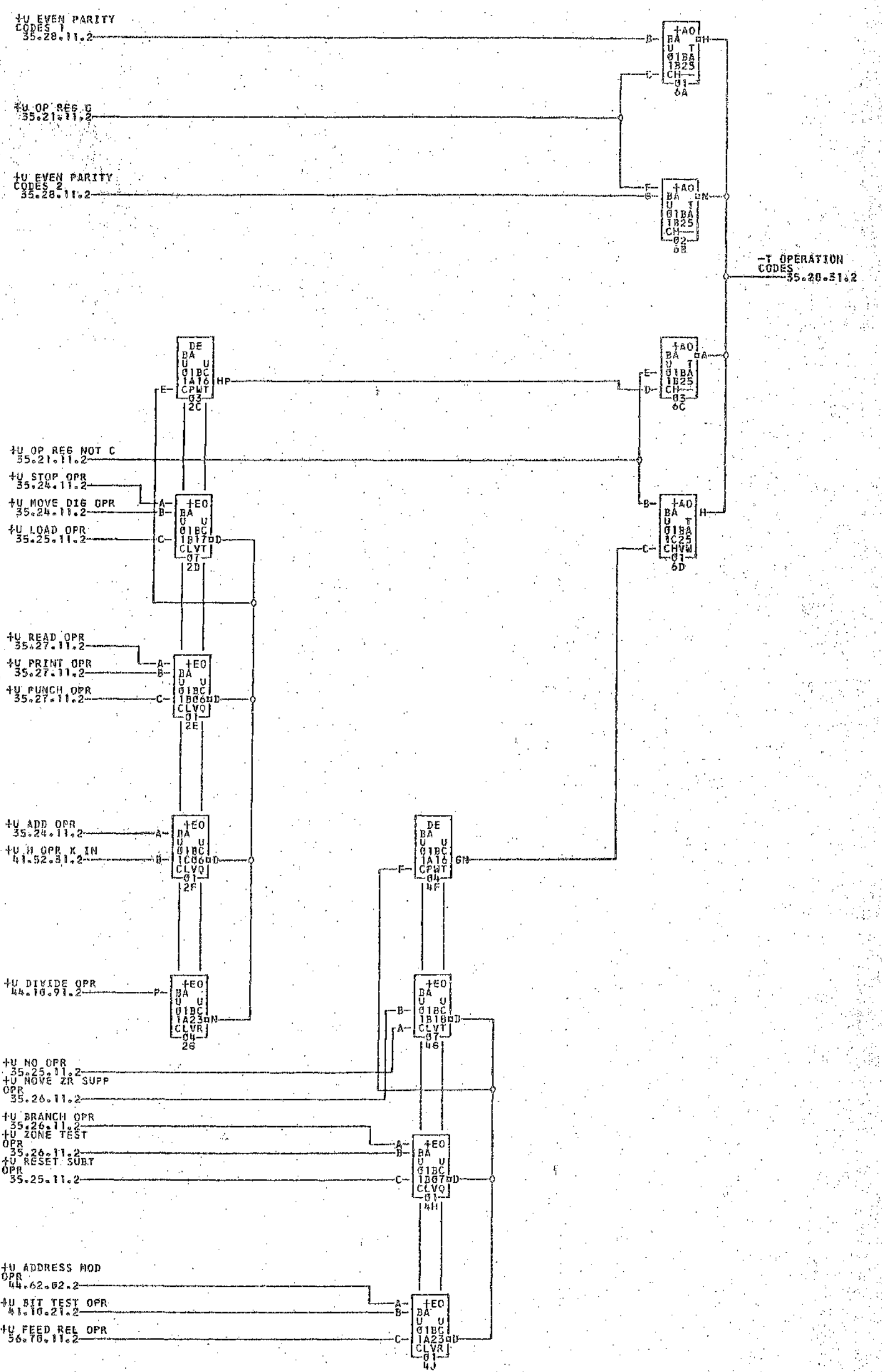
COMMENTS
CARD A23 IS USED ONLY WITH FP MD BM CH
OR BT OPTIONS.

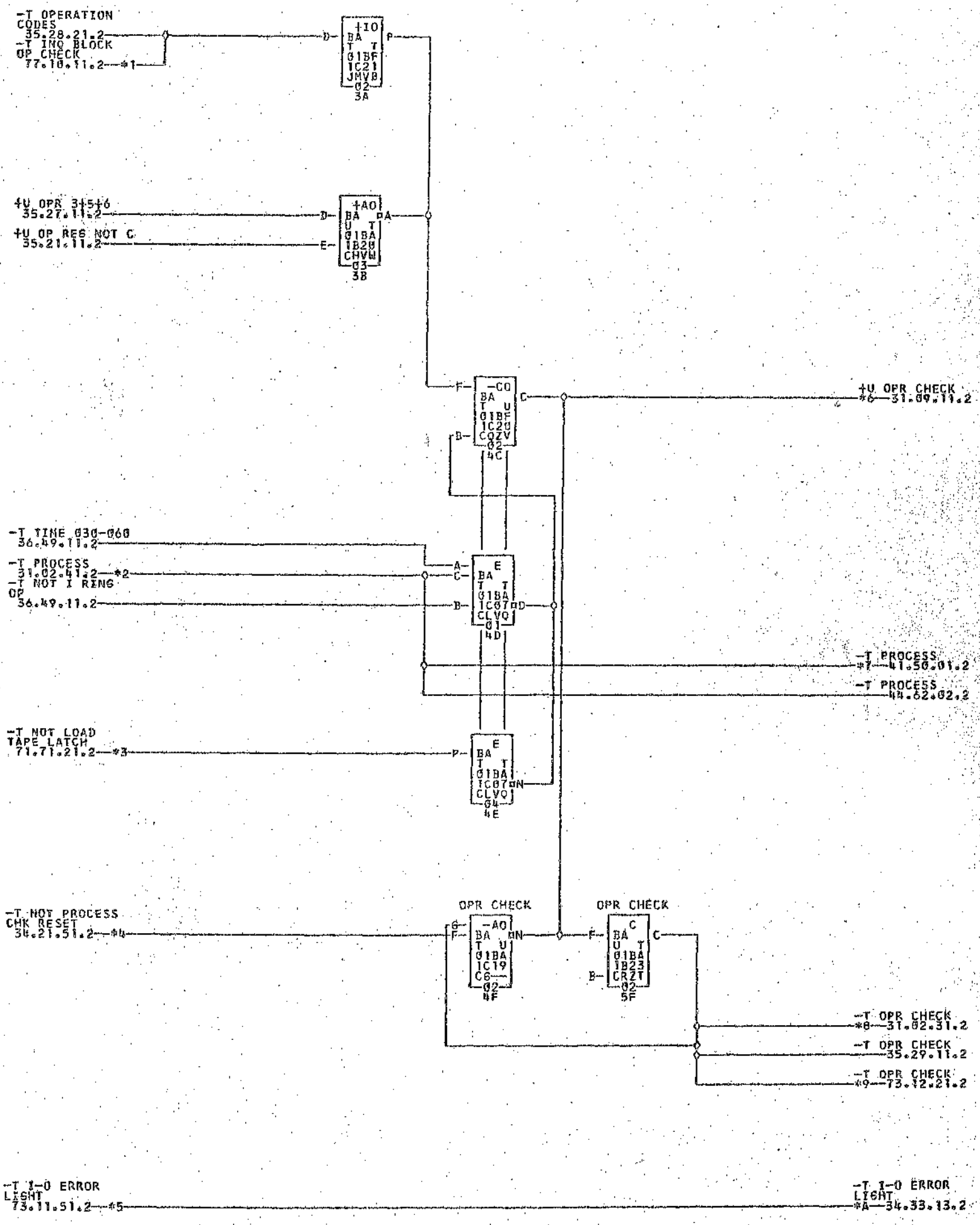
TAG DATE E.C.NO.
A 06-05-61 110320P

TAG DATE E.C.NO.
B 12-04-61 113422

TAG DATE E.C.NO.
C 12-21-62 114052

TAG DATE E.C.NO.

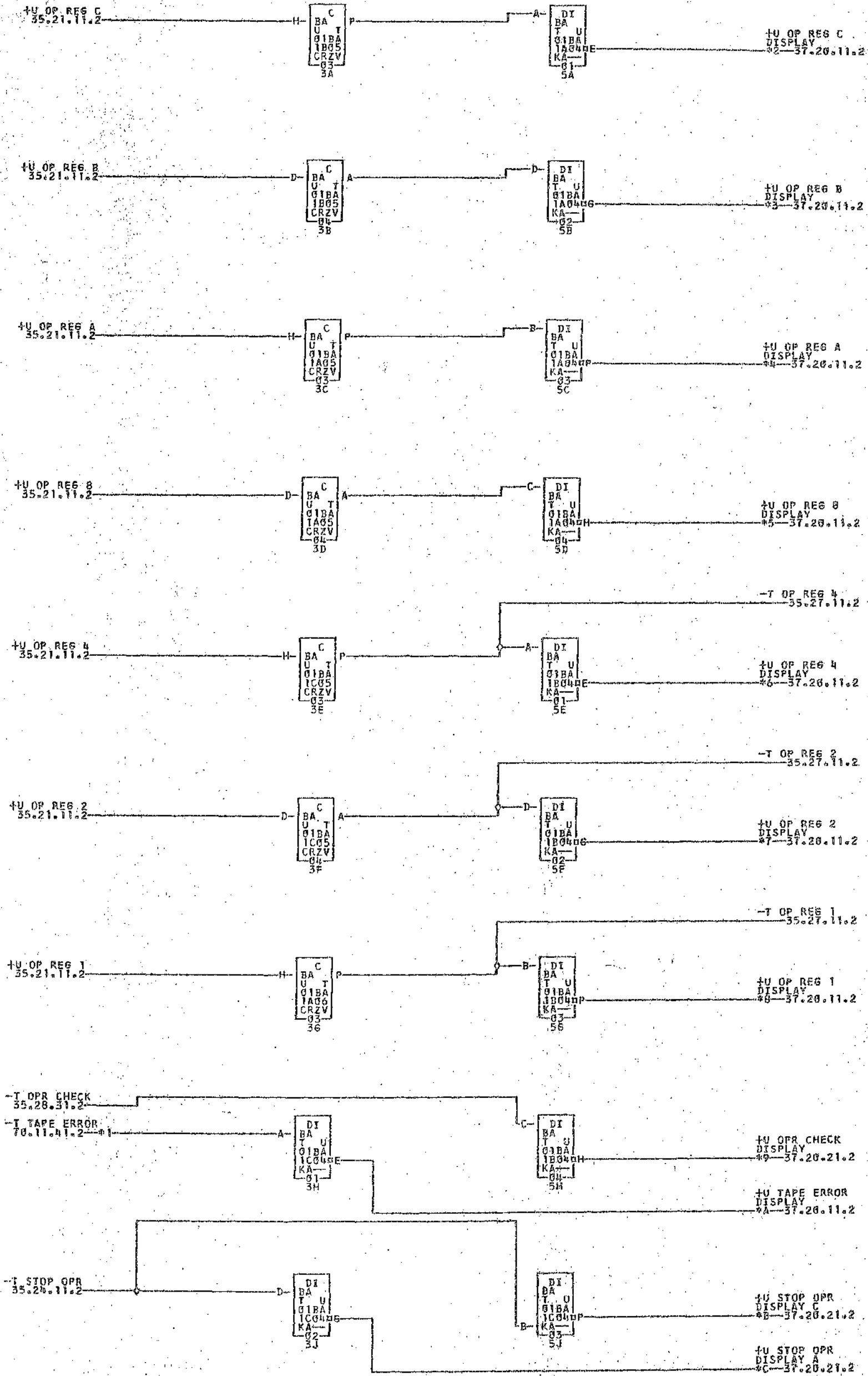




- *1—01B8A0BD *5—01A2A23D *6—01A2A09M ————01B1A01M *2—01B1C010 *3—01B1C03N
- *4—01B1A02D *5—01B1C03H *6—01D1D01A ————01B2C02A *7—01B1A03K *2A—02ACF07A
- *4—02B6C03K *8—01B1D01Q ————01B2C02Q *9—01B1A03J *2A—02ACF05A *2A2D25B
- *4—01B1E02E ————01B3D02E

COMMENTS

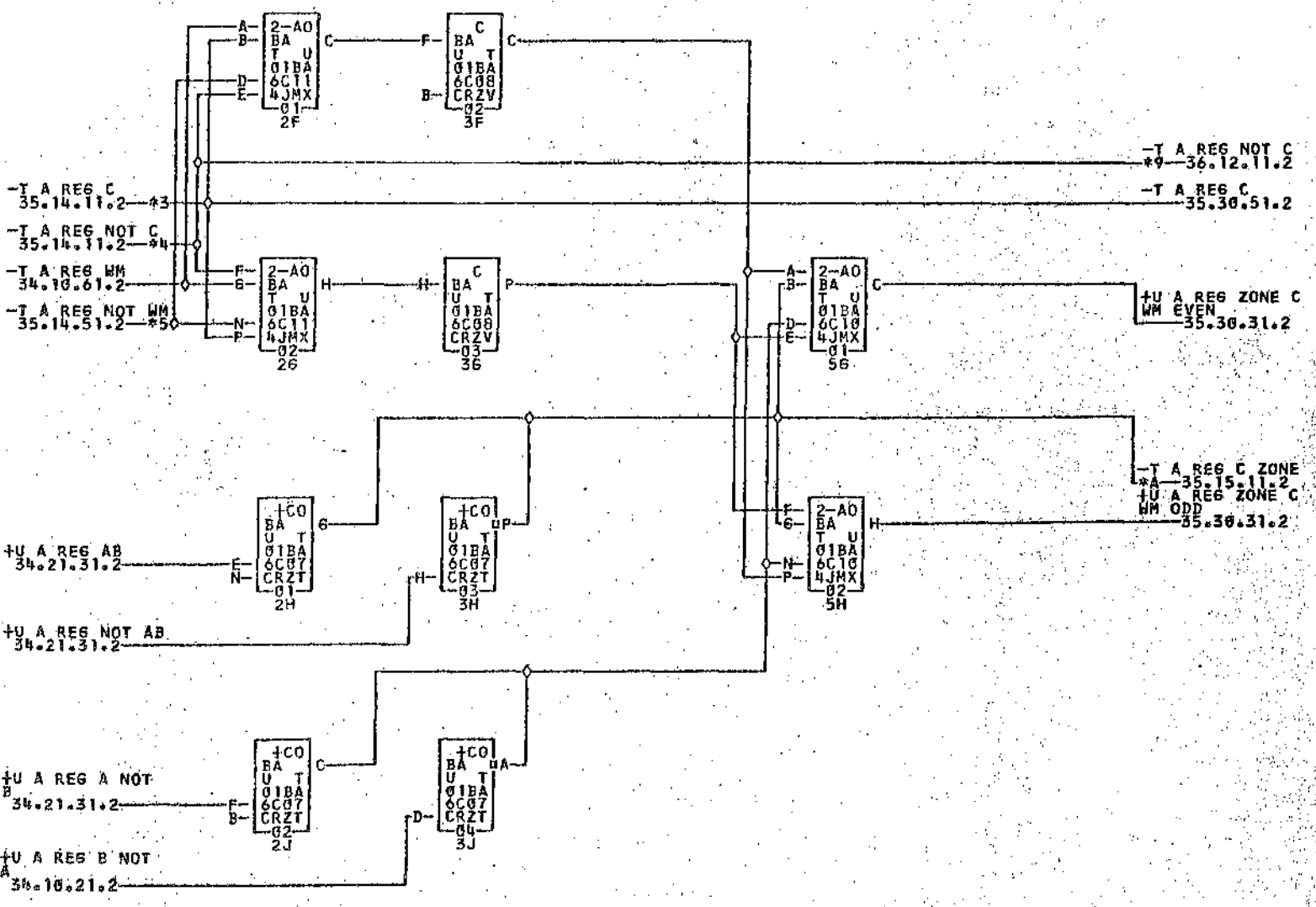
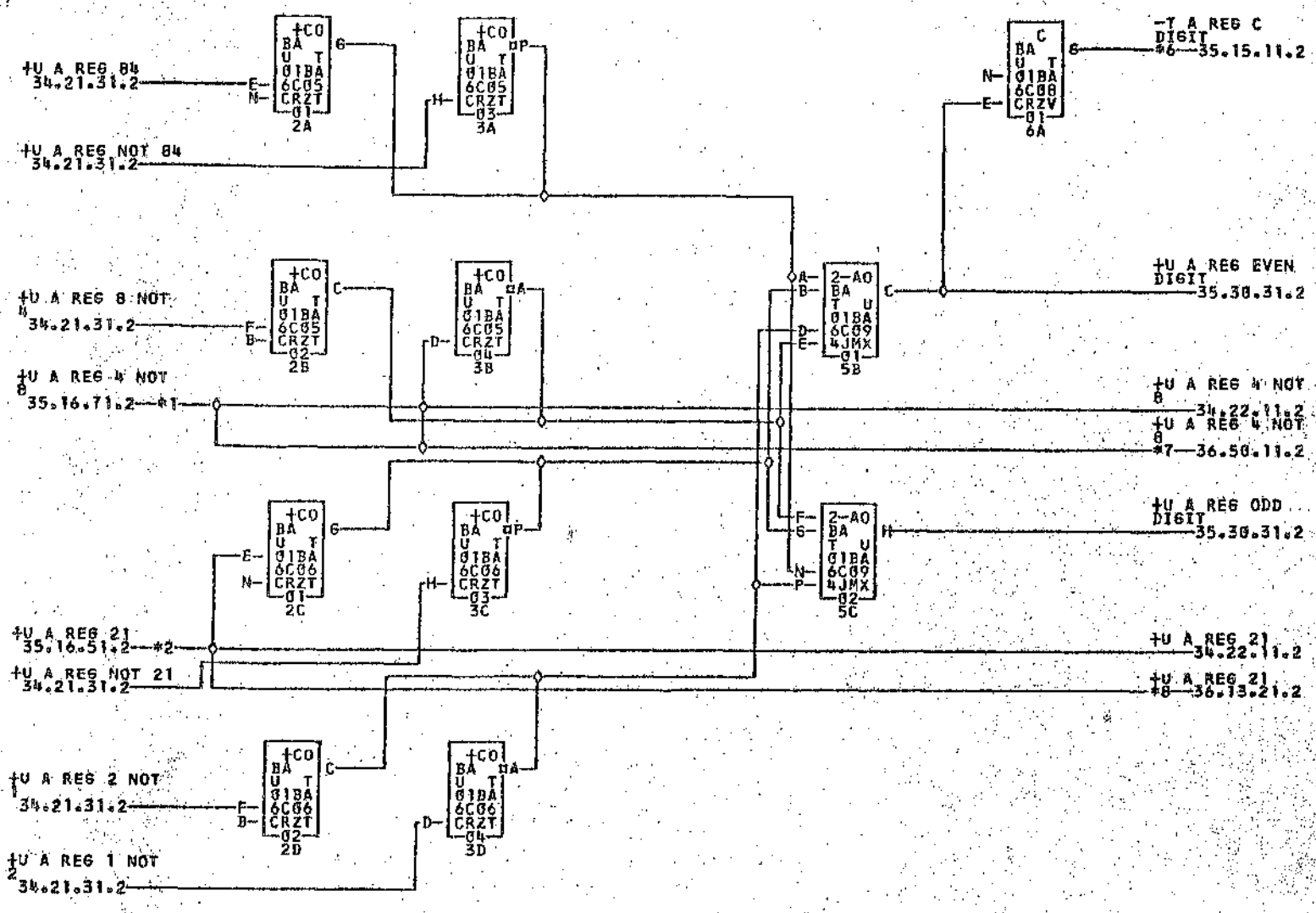
TAG	DATE	E.C.NO.	TAG	DATE	E.C.NO.	TAG	DATE	E.C.NO.	TAG	DATE	E.C.NO.
A	06-05-61	110320P	B	06-26-61	110324C	C	12-04-61	113422	D	02-27-62	114025
E	11-12-62	114048	F	12-21-62	114052						



- *1--01B1C03P *2--01B1A01G *3--01B1A01F *4--01B1A01E *5--01B1A01D *6--01B1A01C
- *7--01B1A01B *8--01B1A01A *9--01B1A01H *A--01B1A01R *B--01B1A01R *C--01B1A01J

COMMENTS

TAG	DATE	E.C.NO.	TAG	DATE	E.C.NO.	TAG	DATE	E.C.NO.
A	06-05-61	110320P	B	12-04-61	115022	C	12-21-62	114052

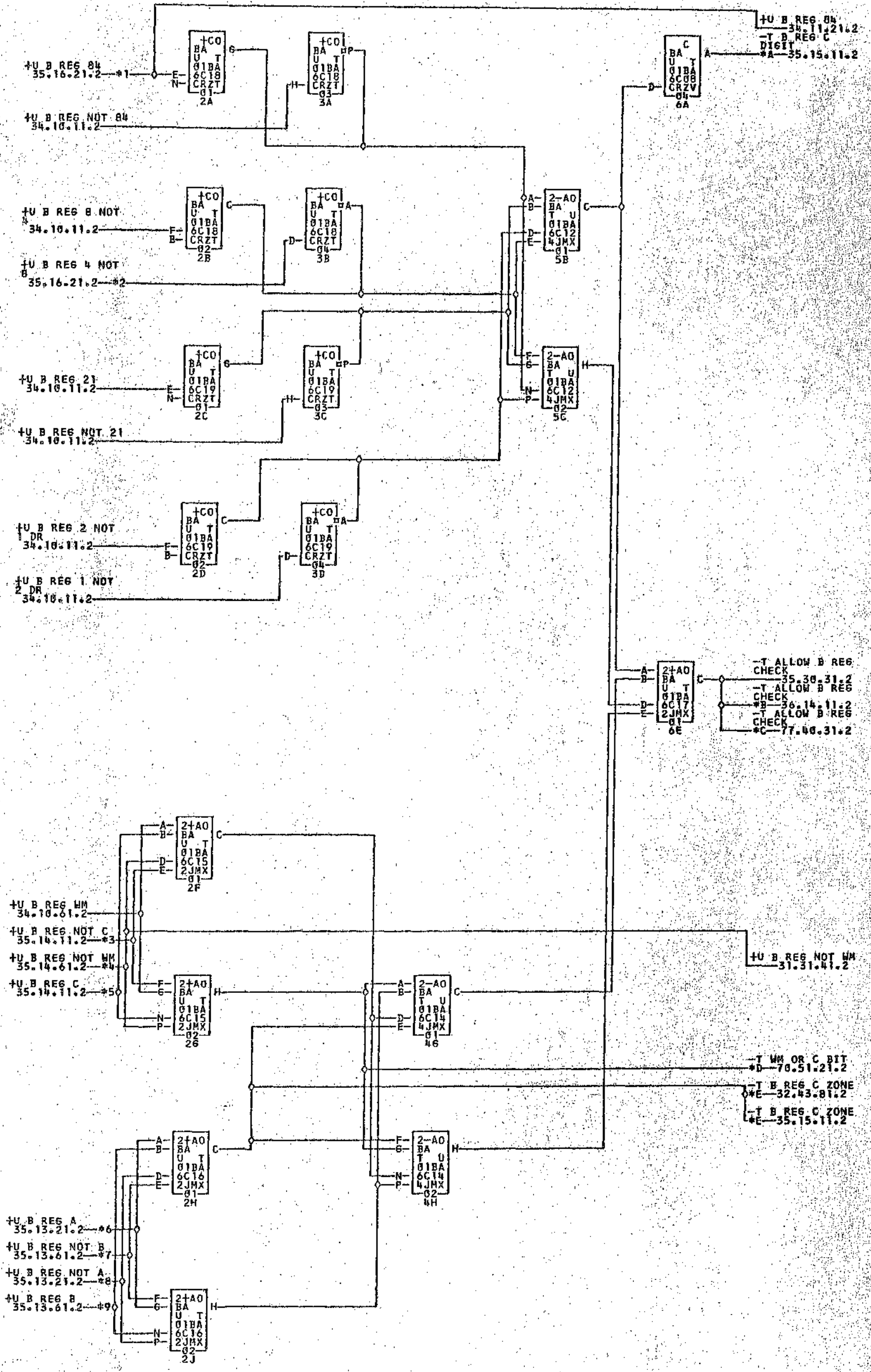


- *1—01B6B026 *2—01B6B02J *3—01B6B02P *4—01B6B02N *5—01B6C02M *6—01B6C02P
- 01A3E24P *7—01B6A03G 01B4B02E *8—01B6A03C 01B4B02C *9—01B6E03E
- 01B6E03E *A—01B6C02C

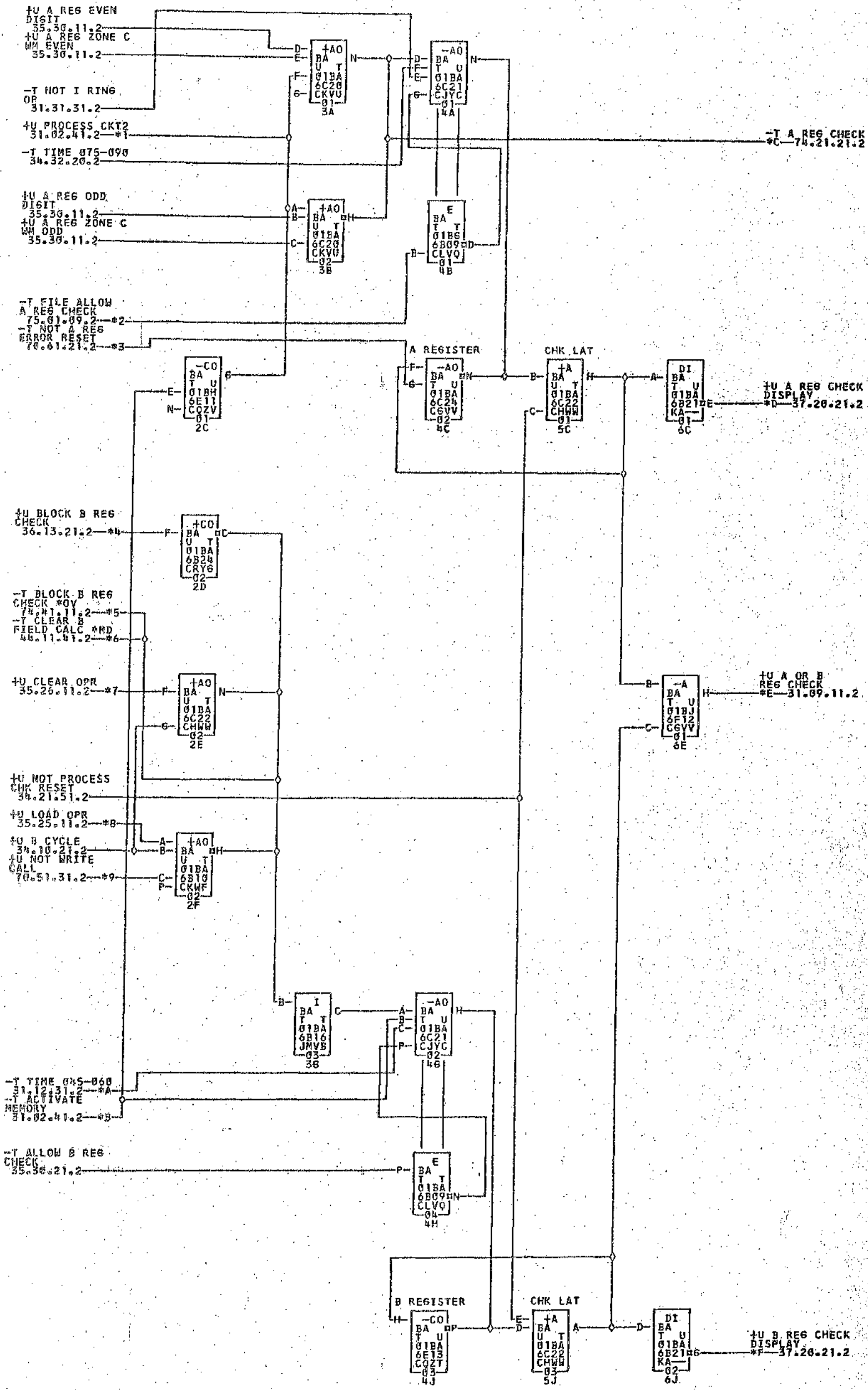
6723628

B REGISTER CHECK MATRIX

1401 BA 35.30.21.2



- *1-01B6D02E *2-01B6D026 *3-01B6E02R *4-01B6B02Q *5-01B6E02Q *6-01B6D02A
- *7-01B6C02A *8-01B6C02B *9-01B6D02C *A-01B6C02N *1A-01A3E24N *B-01B6A03H
- *1B-01B6C02H *C-01B6C03L *1A6F25L *1A6A24L *1A1B02L *1A1F01L
- *1A3A25H *1A3C22B *1B8A01H *D-01B6D01R *1B1A02R *1B1C03R
- *2A0F19B *2A2C23R *E-01B6C01M *1A3A26Q *1A8E25Q



- *1-01B6E01E *2-01B6C01A *3-01B6E01Q *4-01B6A03F *5-01B6F02F *6-01B6F01Q
- *7-01B6C01R *8-01B6C01Q *9-01B6D01Q *A-01B6C01F *B-01B6E01D *C-01B6F02E
- *D-01B6A02K *E-01B6B01Q *F-01B6A02L *G-01A2A04K

COMMENTS

TAG	DATE	E.C.NO.	TAG	DATE	E.C.NO.	TAG	DATE	E.C.NO.	TAG	DATE	E.C.NO.
A	05-25-61	110320B	B	07-07-61	110320J	C	08-15-61	110320N	D	09-11-61	110320U
E	09-28-61	112231	F	10-23-61	112248	G	11-10-61	112253	H	03-01-62	114246
J	10-24-62	114047	K	12-26-62	114053						

0723630

B REGISTER DIST. AND IND DISPLAY

1401 BA

35.30.41.2

+U B LESS THAN
A DISPLAY
44.34.21.2 *1

+U B LESS THAN
A DISPLAY
*B-37.20.21.2

+U B GREATER
THAN A DISPLAY
44.34.21.2 *2

+U B GREATER
THAN A DISPLAY
*C-37.20.21.2

-T B REG 1
35.11.21.2 *3

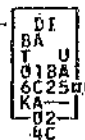
-T B REG 1
41.10.11.2
-T B REG 1
34.21.11.2



+U B REG 1
DISPLAY
*D-37.20.11.2

-T B REG 2
35.11.21.2 *4

-T B REG 2
41.10.11.2
-T B REG 2
34.21.11.2



+U B REG 2
DISPLAY
*E-37.20.11.2

-T B REG 4
35.12.21.2 *5

-T B REG 4
41.10.11.2
-T B REG 4
34.21.11.2



+U B REG 4
DISPLAY
*F-37.20.11.2

-T B REG 8
35.12.21.2 *6

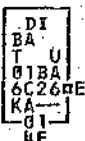
-T B REG 8
41.10.11.2
-T B REG 8
34.21.11.2



+U B REG 8
DISPLAY
*G-37.20.11.2

-T B REG A
35.13.21.2 *7

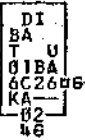
-T B REG A
41.10.11.2
-T B REG A
34.21.11.2



+U B REG A
DISPLAY
*H-37.20.11.2

-T B REG B
35.13.21.2 *8

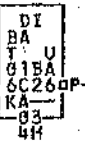
-T B REG B
41.10.11.2
-T B REG B
34.21.11.2



+U B REG B
DISPLAY
*J-37.20.11.2

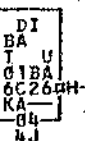
-T B REG C
35.14.11.2 *9

+U B REG C BIT
DISPLAY
*K-37.20.11.2



-T B REG WM
35.14.21.2 *A

-T B REG WM
34.19.21.2



+U B REG WM
DISPLAY
*L-37.20.11.2

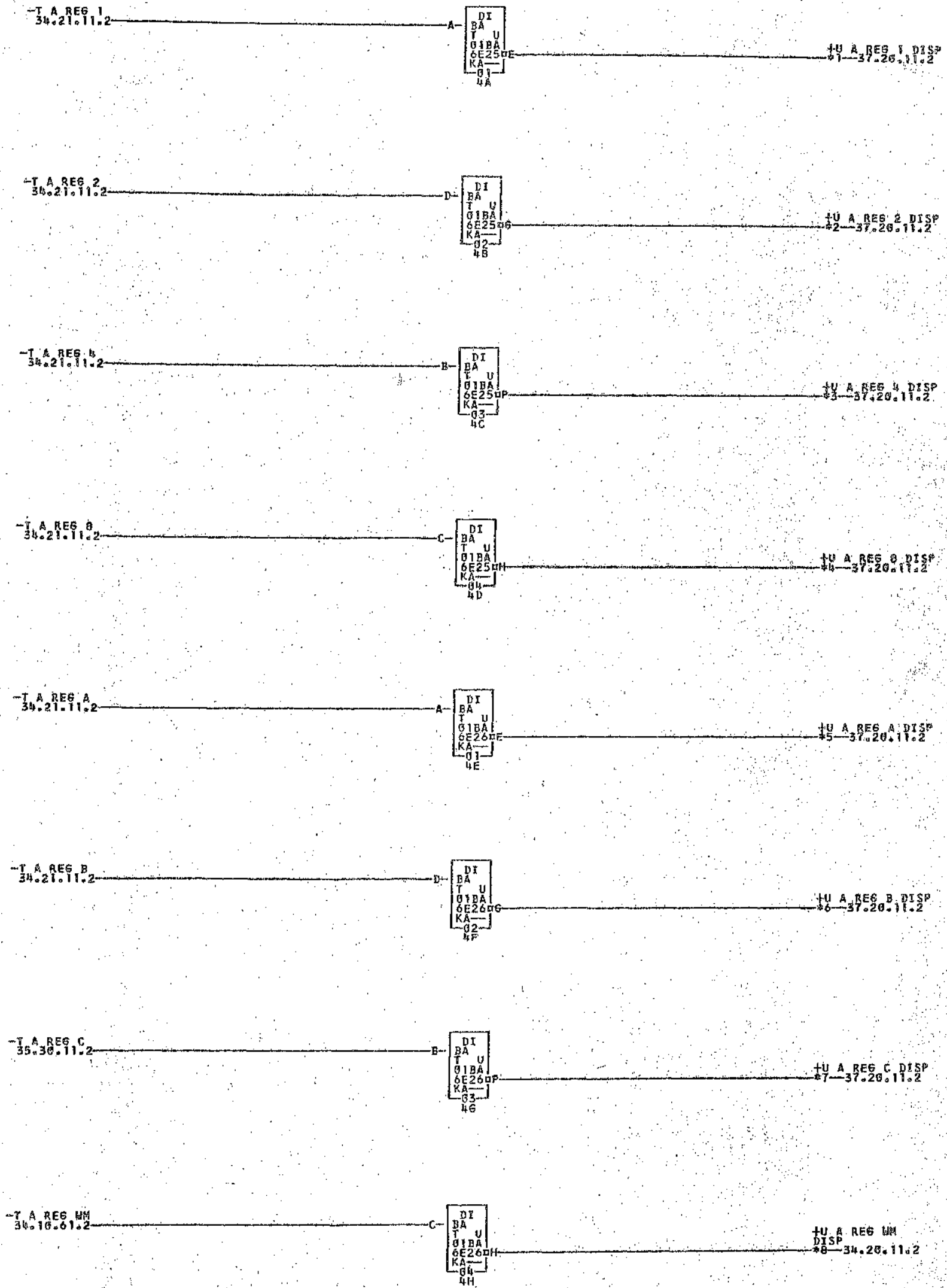
- *1-01B6F030
- *2-01B6F03R
- *3-01B6A01R
- *4-01B6A010
- *5-01B6A01P
- *6-01B6A01N
- *7-01B6A01H
- *8-01B6A01L
- *9-01B6C02L
- *A-01B6A01K
- *B-01B6A020
- *C-01B6A02H
- *D-01B6A02R
- *E-01B6D03B
- *F-01B6D03C
- *G-01B6D03D
- *H-01B6D03E
- *I-01B6D03F
- *J-01B6D03G
- *K-01B6D03H
- *L-01B6D03I

- *1-01B6A01R
- *2-01B6A01L
- *3-01B6C02L
- *4-01B6A01K
- *5-01B6A020
- *6-01B6A02H
- *7-01B6A02R
- *8-01B6D03B
- *9-01B6D03C
- *A-01B6D03D
- *B-01B6D03E
- *C-01B6D03F
- *D-01B6D03G
- *E-01B6D03H
- *F-01B6D03I
- *G-01A2A20B
- *H-01A2A20C
- *I-01A2A20D
- *J-01A2A20E
- *K-01A2A20F
- *L-01A2A20G

COMMENTS

TAG DATE E.C.NO. TAG DATE E.C.NO. TAG DATE E.C.NO. TAG DATE E.C.NO.

A 05-25-61 110320B B 12-06-61 113422 C 12-26-62 11053



*1-01B6D03J
 *4-01B6D03M
 *7-01B6D03Q

01A2A20J
 01A2A20M
 01A2A20O

*2-01B6D03K
 *5-01B6D03N
 *8-01B6D03R

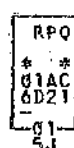
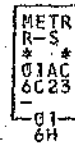
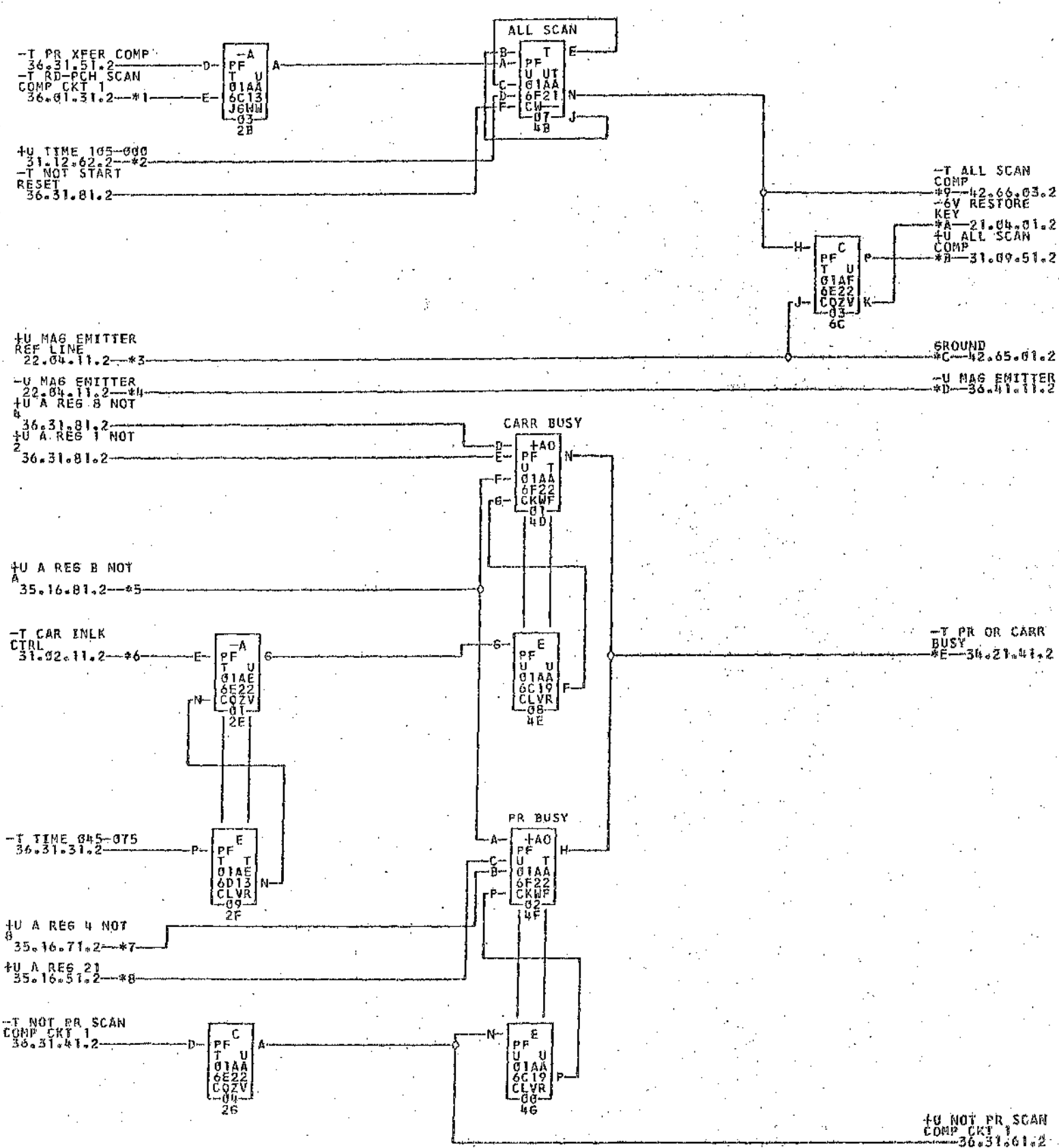
01A2A20K
 01A2A20N
 01A2A20R

*3-01B6D03L
 *6-01B6D03P

01A2A20L
 01A2A20P

COMMENTS

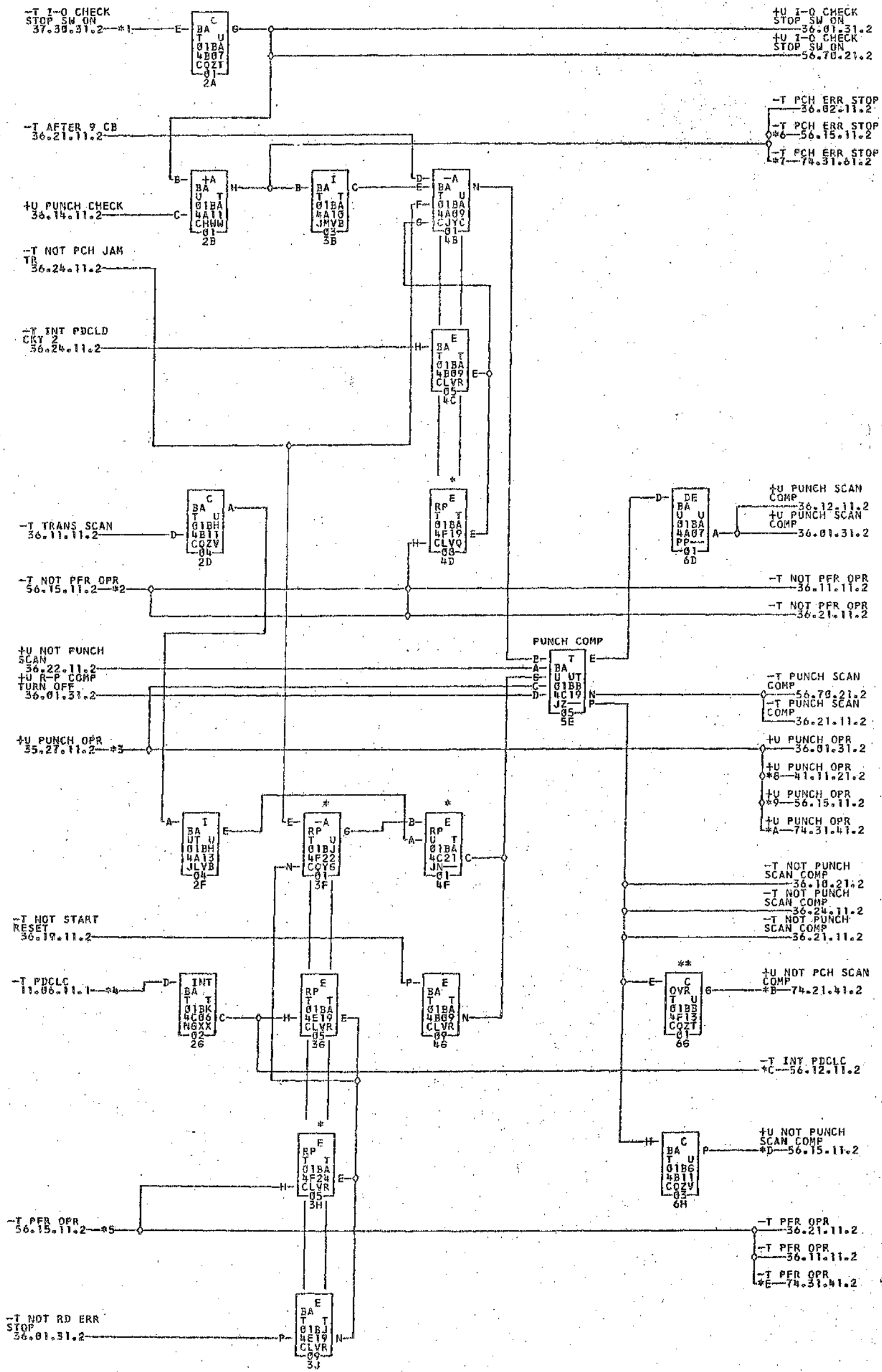
TAG	DATE	E.C.NO.	TAG	DATE	E.C.NO.	TAG	DATE	E.C.NO.	TAG	DATE	E.C.NO.
A	05-25-61	110320B	B	12-26-62	114053						



- *1-01A6F26R
- *2-01A6A25P
- *3-01A6F24G
- *4-01A6F24F
- *5-01A6C25K
- *6-01A6E26A
- *7-01A6C25H
- *8-01A6C25G
- *9-01A6E24G
- *A-01A6F24A
- *B-01A6E26N
- *C-01A6E24J
- *D-06B7A14J
- *E-06B4F01J
- *F-01A6D24H
- *G-01B1E03H
- *H-01A6F25R

COMMENTS

TAG	DATE	E.C.NO.	TAG	DATE	E.C.NO.	TAG	DATE	E.C.NO.	TAG	DATE	E.C.NO.
A	06-12-61	110320U	B	08-15-61	110324N	C	12-01-61	113422	D	02-19-62	114230
E	06-08-62	114033	F	11-27-62	114649						



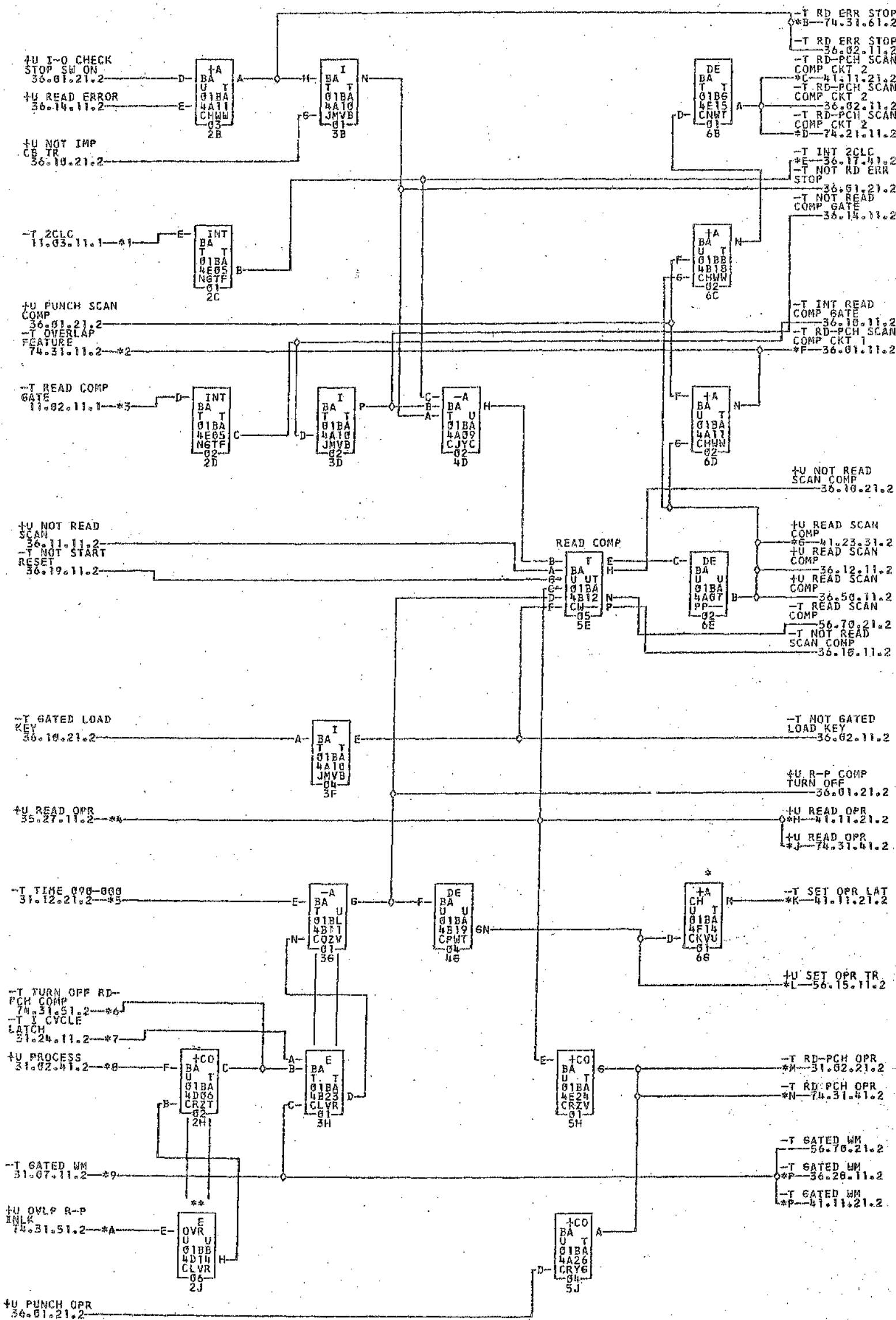
- *1-01B4A03A *2-01B4C03E *3-01B4D03H *4-01B4D01D *5-01B4C03D *6-01B4C03C
- 01B7A01C *7-01B4F046 02A9A05C 02B1D01A 02A9E030 02A9E03C
- 02B8F020 *8-01B4F01D 01B7E03D *A-01B4F030 02B1D02L
- *9-01B4D04C *9-01B4F01D 02B1B02C *C-01B4F01R *10-01B4C03M
- 01B7A01M *E-01B4D04P 02A9A11E 02B1B02P 01B7E03R *D-01B4C03M

COMMENTS

*-THIS CIRCUIT PRESENT WITH PUNCH FEED READ OPTION ONLY

**THIS CIRCUIT PRESENT WITH PROCESS OVERLAP OPTION ONLY

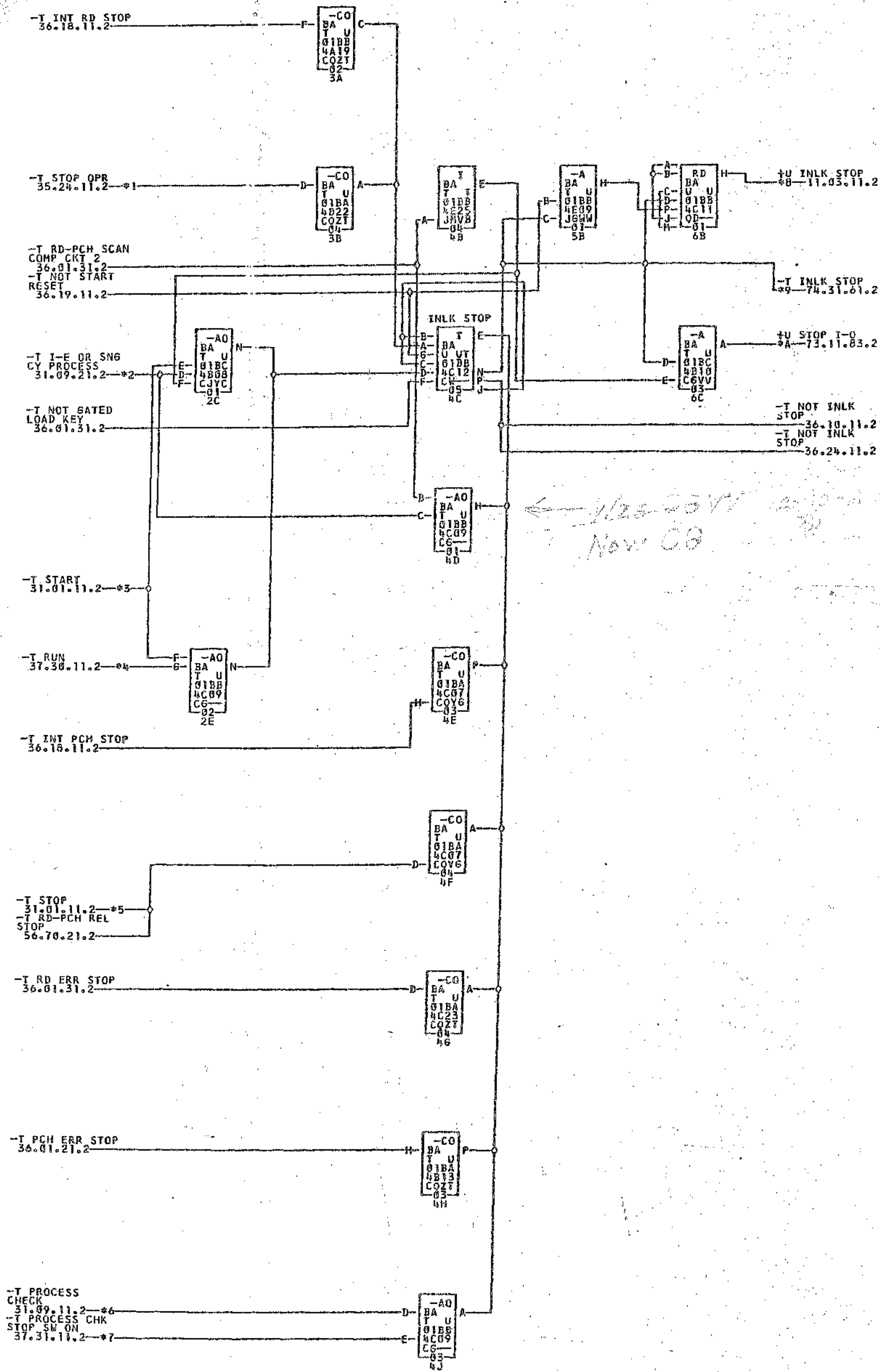
TAG	DATE	E.C.NO.	TAG	DATE	E.C.NO.	TAG	DATE	E.C.NO.	TAG	DATE	E.C.NO.
A	06-08-61	110320L	B	07-11-61	110324L	C	09-18-61	110324V	D	09-21-61	110324Y
E	10-05-61	112232	F	10-12-61	112237	G	11-03-61	112902	H	12-06-61	113422
J	03-05-62	114027	K	08-28-62	112922	L	11-12-62	114048			



*1-01B4C01A	*2-01B4D04A	*7-02A0A05D	*8-02B1B02A	*3-01B4C01H	*4-01B4D036
*5-01B4A02A	*6-01B4D04Q	*7-01B4D01R	*8-01B4E01B	*9-01B4E01F	*A-01B4D04R
*B-01B4F04H	*C-02A9A07C	*D-02B1D01B	*C-01B4F03E	*D-02A9D03C	*E-02B8F02E
*D-01B4F03E	*E-02A0D03C	*F-02B1F02R	*E-01B4C030	*F-01B7A01Q	*F-01B4A01R
*E-01A6E20R	*G-01B4F02E	*G-02A9D03B	*G-02B8F01E	*H-01B4F03R	*G-02A9E05C
*F-02B8F02R	*H-01B4F03R	*H-02A9E05C	*H-02B1D02H	*I-01B4F02G	*H-02A9D07B
*G-02B8F01G	*I-01B4B03P	*I-01B7B01P	*M-01B4B01G	*J-01B2A046	*N-01B4D04F
*H-02A0A15D	*J-02B1B02F	*P-01B4C03F	*N-01B7A01F	*K-01B7D01C	*N-02A9C19E
*I-02B8E01P					

COMMENTS
 * THIS CIRCUIT PRESENT WITH COL BIN OPTION ONLY
 ** THIS CIRCUIT PRESENT WITH PROCESS OVERLAP OPTION ONLY

TAG	DATE	E.C.NO.	TAG	DATE	E.C.NO.	TAG	DATE	E.C.NO.	TAG	DATE	E.C.NO.
A	06-08-61	110320L	B	07-11-61	110324L	C	08-15-61	110326N	D	09-01-61	110328S
E	09-21-61	110324Y	F	09-25-61	112229	G	09-28-61	112231	H	10-05-61	112236
J	11-03-61	112902	K	11-10-61	112913	L	12-06-61	113422	M	03-05-62	114007
N	08-09-62	114039	P	11-12-62	114048						



- *1—01B4D03J *2—01B4E01C *3—01B4E01C *4—01B4A03R *5—01B4D01E *6—01B4D01H
- *7—01B4A03Q *8—01B4C02B *9—01B4F04Q *10—02A9A01D *11—02B1F02Q
- *A—01B4E03M *12—01B4E03H

COMMENTS

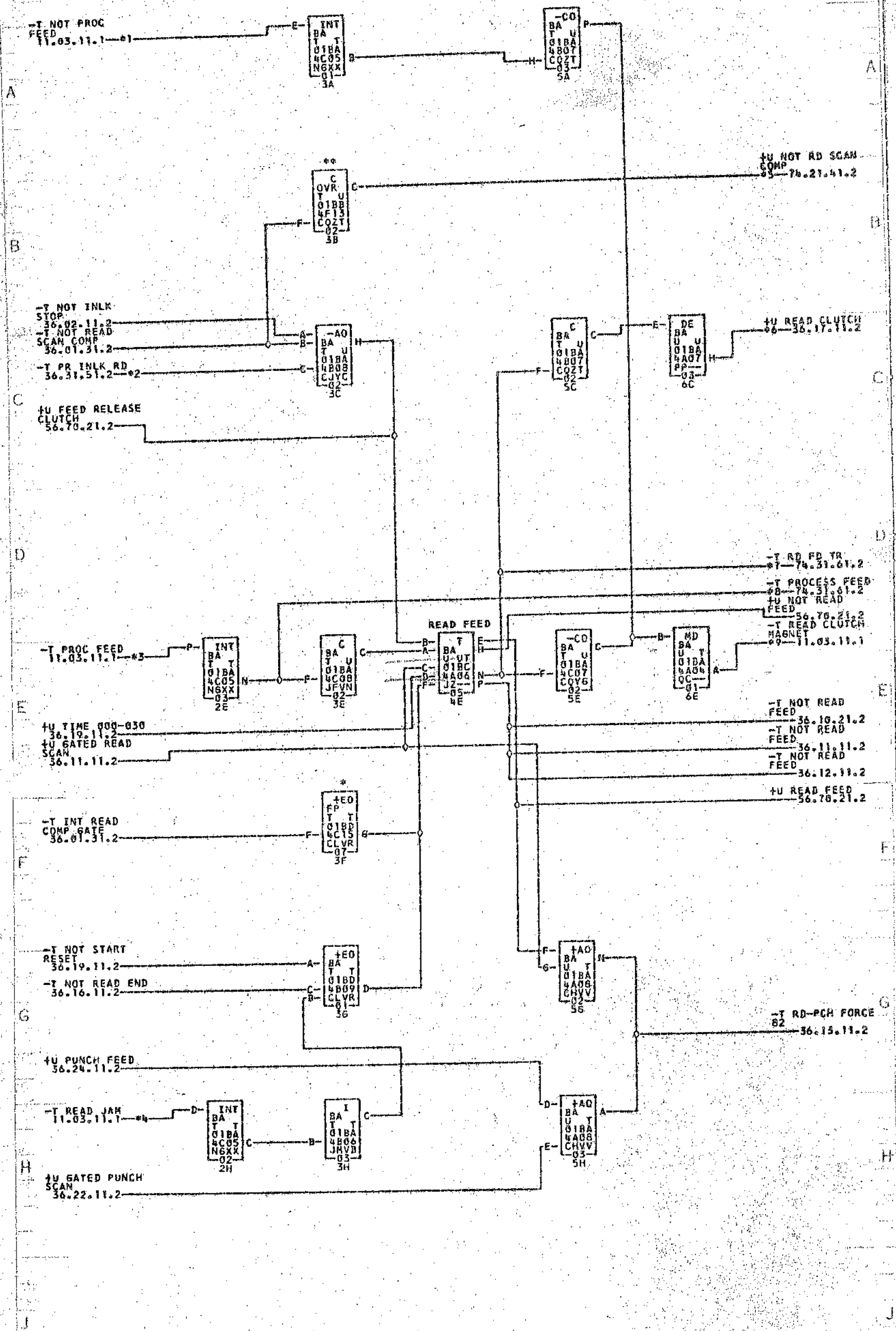
YAG	DATE	E.C.NO.	YAG	DATE	E.C.NO.	YAG	DATE	E.C.NO.	YAG	DATE	E.C.NO.
A	06-03-61	110326L	B	07-11-61	110324L	C	09-01-61	110324S	D	11-12-62	110048

0724052

READ FEED

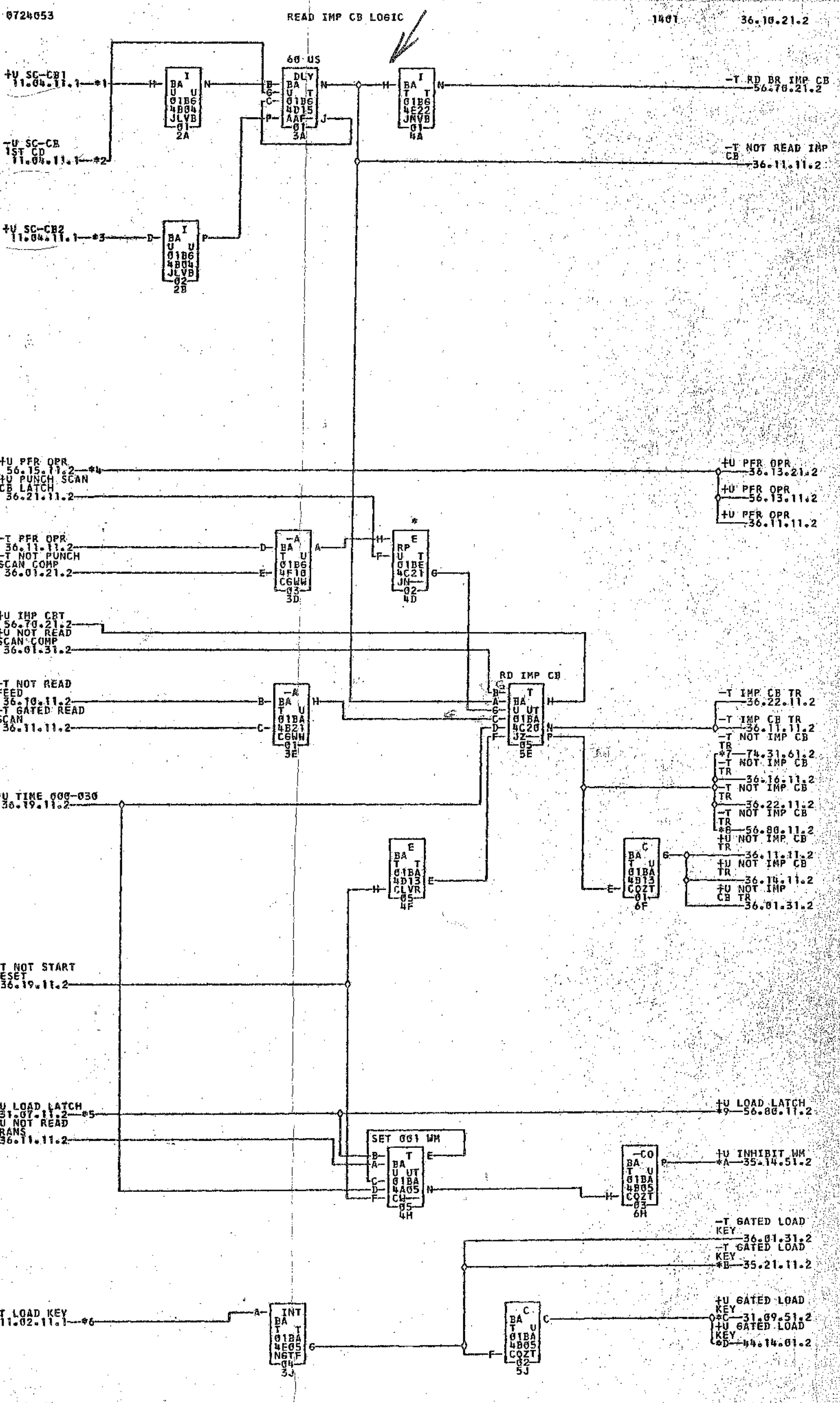
1401

56.10.11.2

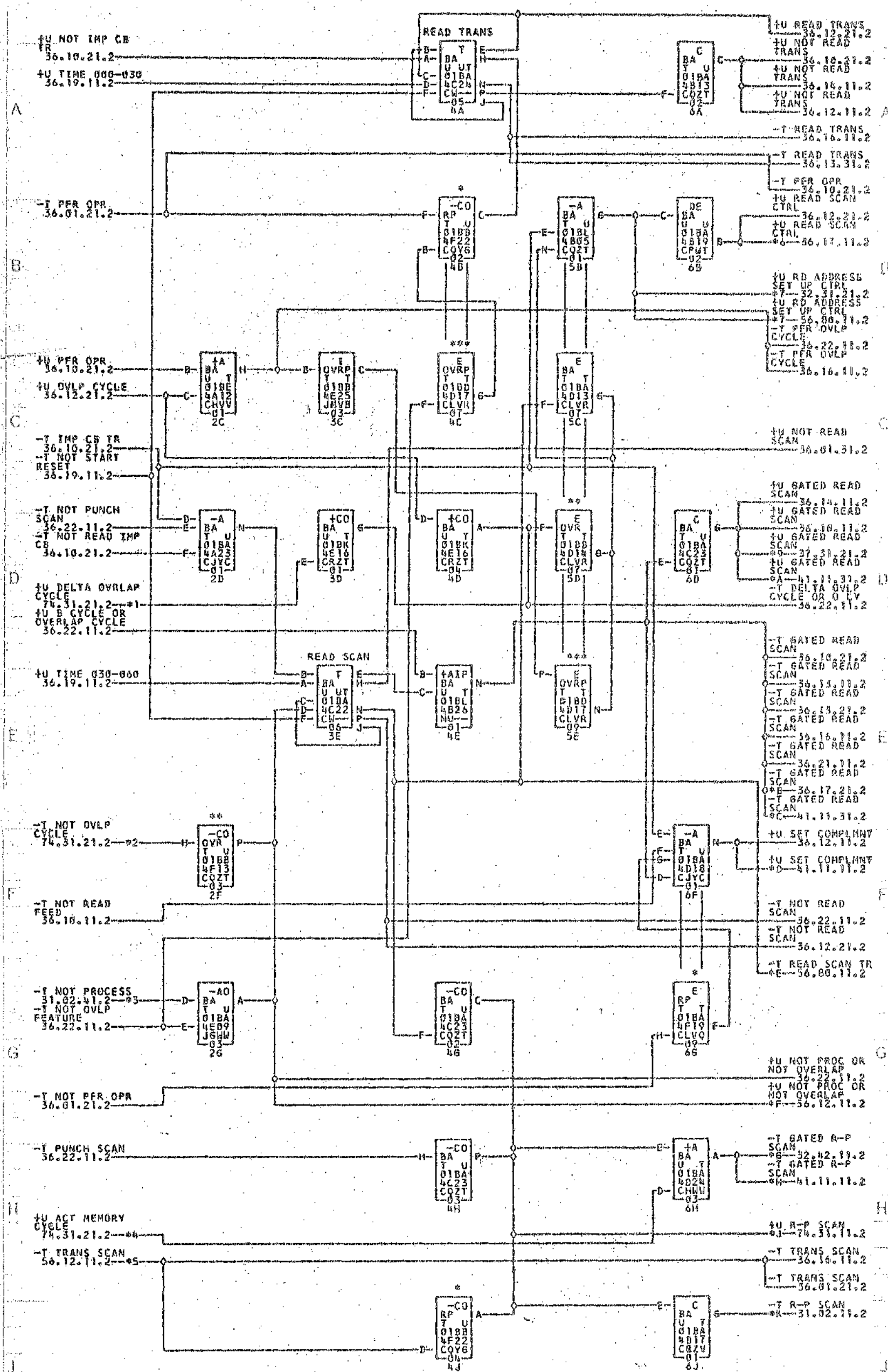


- *1--01B4C01H
- *2--01B4A01C
- *3--01B4C01E
- *4--01B4C01C
- *5--01B4D04B
- *6--02A9A17C
- *7--01B4F04K
- *8--01B4F04N
- *9--01B4C02A
- *10--02A9A17C
- *11--02B1F02K

TAPED



- *1-01B4C01F
- *2-01B4C01J
- *3-01B4C01K
- *4-01B4C01L
- *5-01B4C01M
- *6-01B4C01N
- *7-01B4C01O
- *8-01B4C01P
- *9-01B4C01Q
- *A-01B4C01R
- *B-01B4C01S
- *C-01B4C01T
- *D-01B4C01U
- *E-01B4C01V
- *F-01B4C01W
- *G-01B4C01X
- *H-01B4C01Y
- *I-01B4C01Z

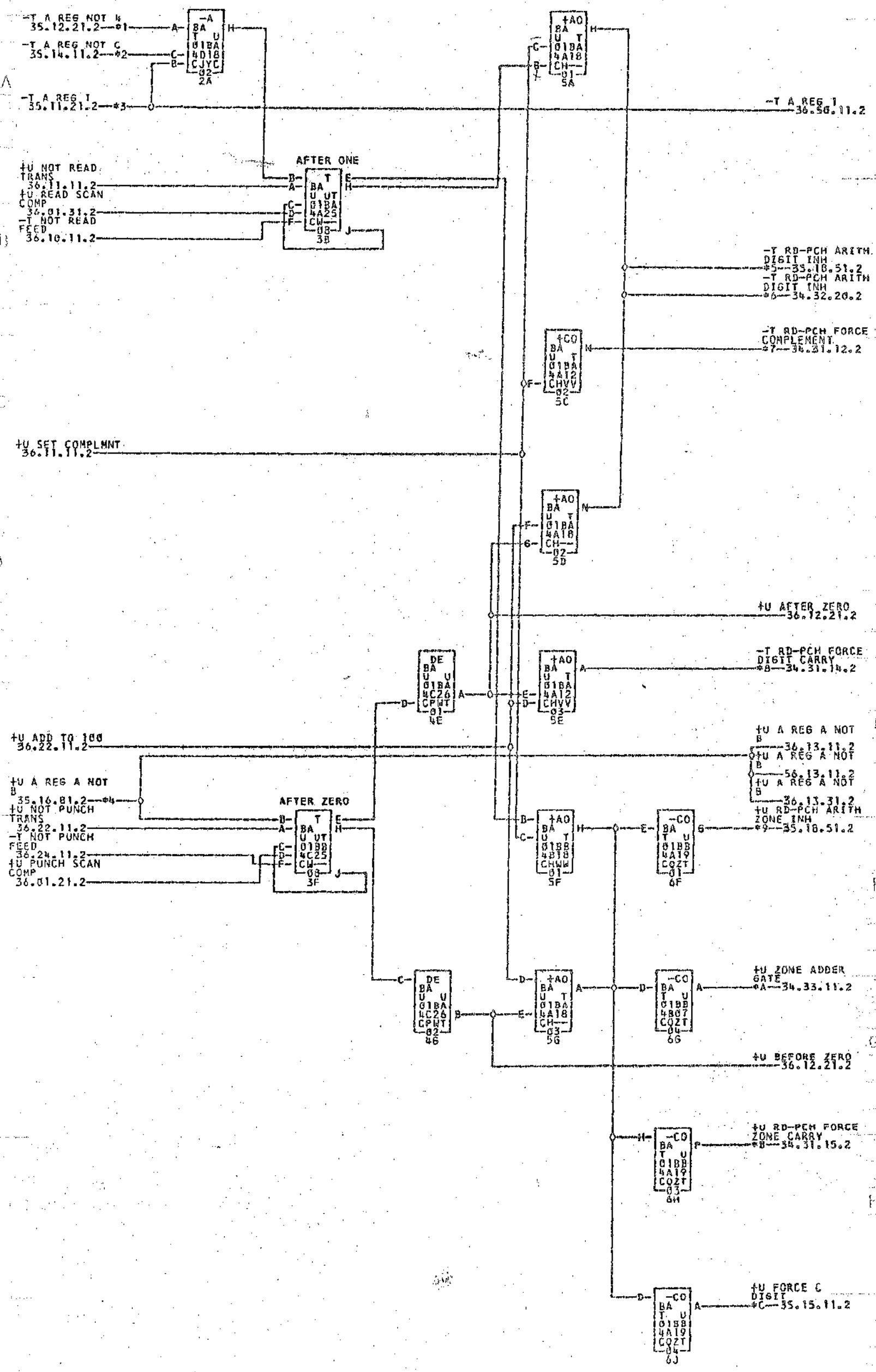


- *1--01B4D046 *2--01B4D04H *3--01B4D011 *4--01B4D04L *5--01B4C03B *6--01B4D03H
- 01B7B01H *7--01B4A01F -----01A8F26F -----01A2C26B -----01ATD25H *8--01B4A03D
- *C--01A2A19D *A--01B4F036 -----02A9D87C -----02B8F026 -----01B4B03D -----01B7B01D
- *E--01B4F03K -----02A0113C -----01B7F02K *D--01B4F02C -----02A0C19H -----02B8F01C
- *G--01B4F01E -----01B7E13E -----01B7D05P *F--01A8E24K -----01B4C03J -----01B7A01J
- *G--01B4C03A -----01B7A01A -----01B7D02K -----01A8E24K *H--01B4F02A -----02A0C15B
- 02B8F01A *J--01B4D04D -----02A6A11D -----02B1B02D *K--01B4B01H -----01B2A04H

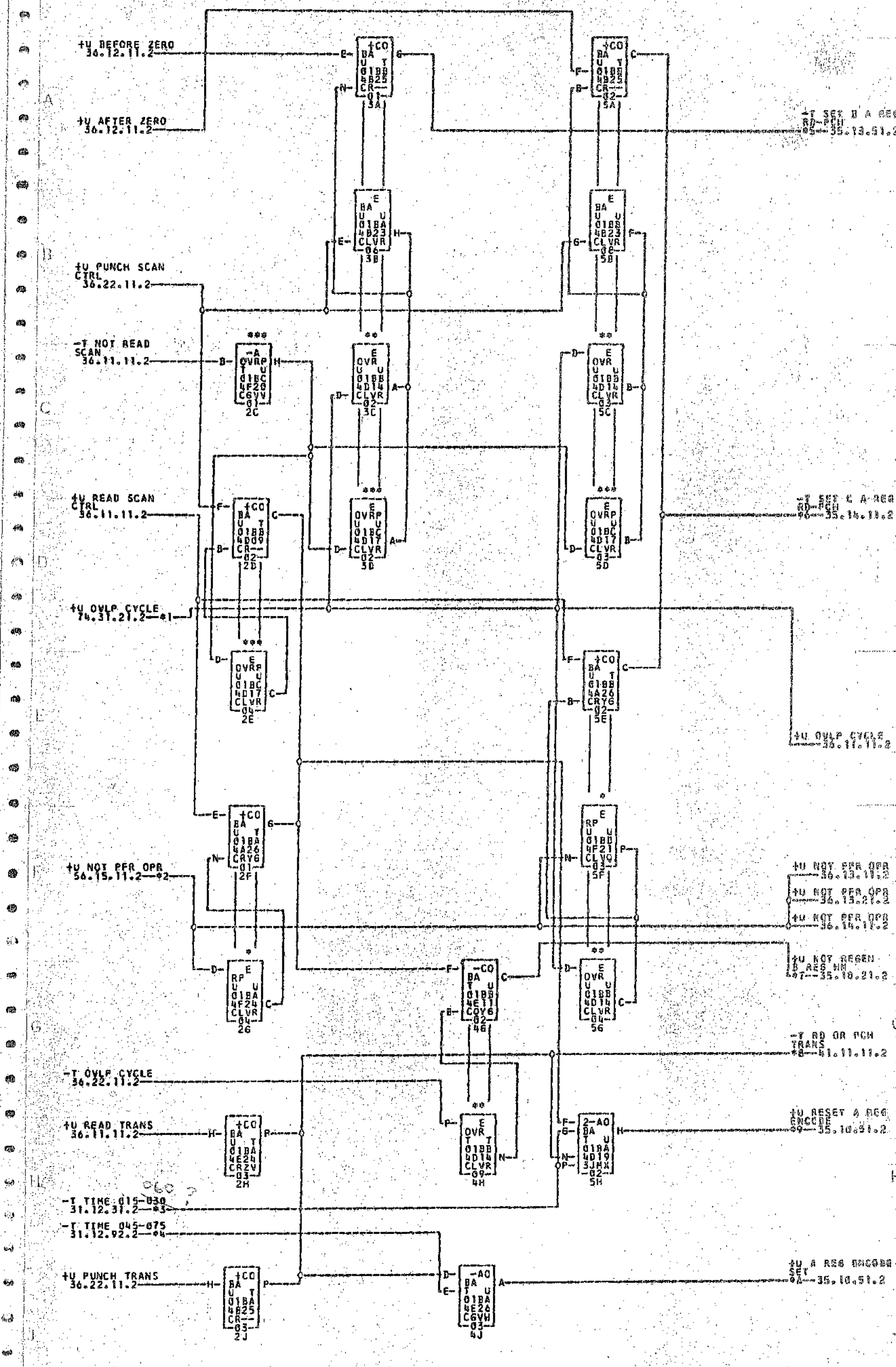
COMMENTS

TAG	DATE	E.C.NO.	TAG	DATE	E.C.NO.	TAG	DATE	E.C.NO.	TAG	DATE	E.C.NO.
*C	06-08-61	110328L	B	07-11-61	110324L	C	08-15-61	110324H	D	09-01-61	110324S
*F	09-21-61	110324Y	F	09-20-61	112231	G	10-03-61	112252	H	10-19-61	112241
J	11-03-61	112802	K	11-10-61	112903	L	12-06-61	113622			

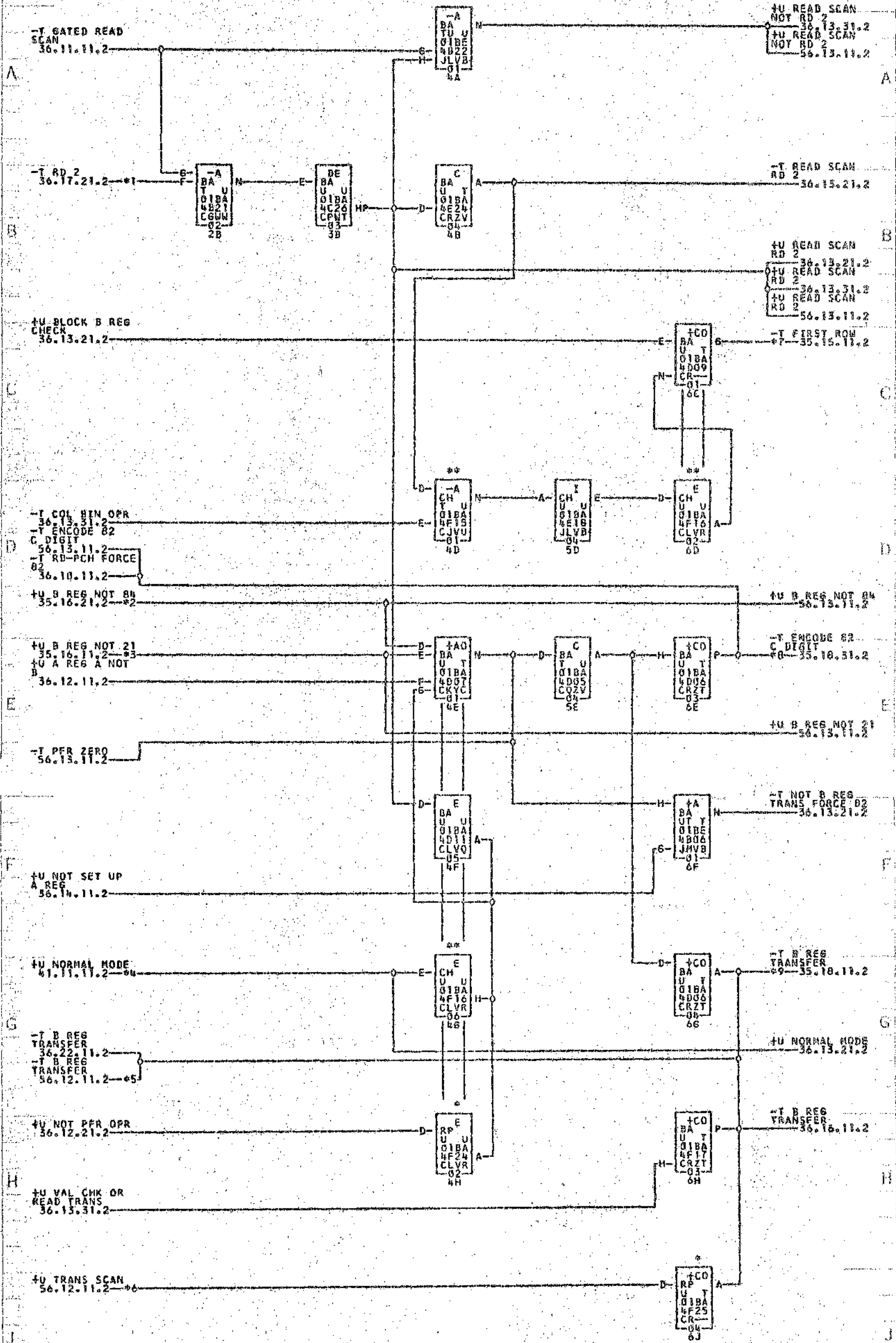
*CIRCUIT PRESENT WITH PFR OPTION ONLY
 *F-CIRCUIT PRESENT WITH PROC OVLAP OPTION ONLY
 ***-CIRCUIT PRESENT ONLY IF BOTH PFR OPTION & PROC OVLAP OPTION ARE PRESENT



- *1-01B4B02R
- *2-01B4E036
- *3-01B4E03A
- *4-01B4E03P
- *5-01B4E02E
- 01A3A23E
- *6-01B4B02J
- 01B6A03J
- *7-01B4A02P
- 01B3C03P
- *8-01B4A02R
- 01B3C03R
- *9-01B4E02F
- 01A3A23F
- *A-01B4A02N
- 01B3C03N
- *B-01B4A02M
- 01B3C03M
- *C-01B4E01M
- 01B2B04M
- 01A3D25F

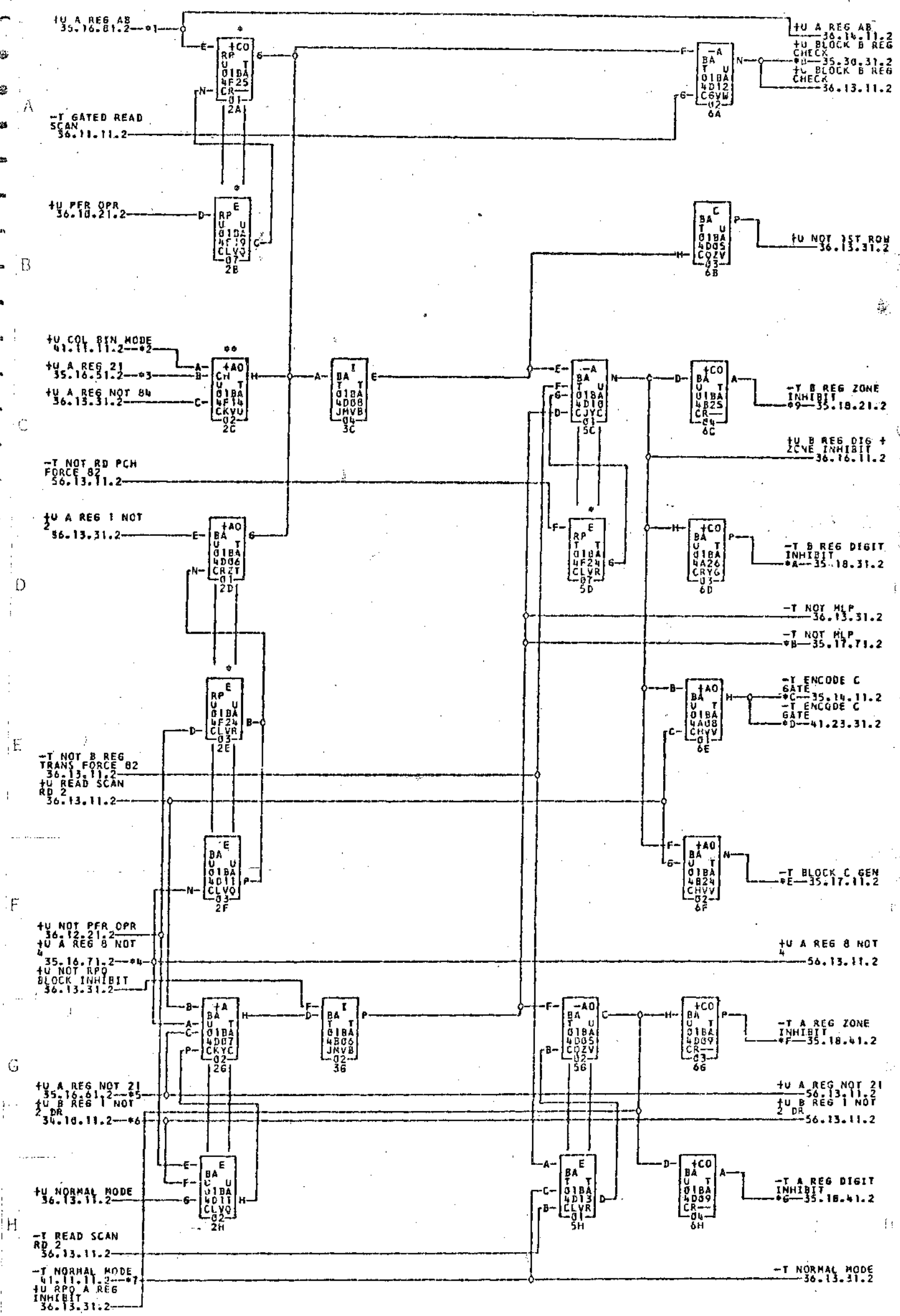


- *1-01B4D04K
- *2-01B4F01P
- *3-01B4A02F
- *4-01B4A026
- *5-01B4E01N
- *6-01B2D06H
- *7-01B4D06B
- *8-01B4F03A
- *9-01B4E028
- *A-01B4E02H
- *B-01A3A23R
- *C-01A3A23H



- *1--01B4B03L
- *2--01B4E03J
- *3--01B4E03N
- *4--01B4F02L
- *5--01B4E01C
- *6--01B4A01A
- *7--01B4E02J
- *8--01A3A23J
- *9--01B4E02N
- *10--01A3A23H

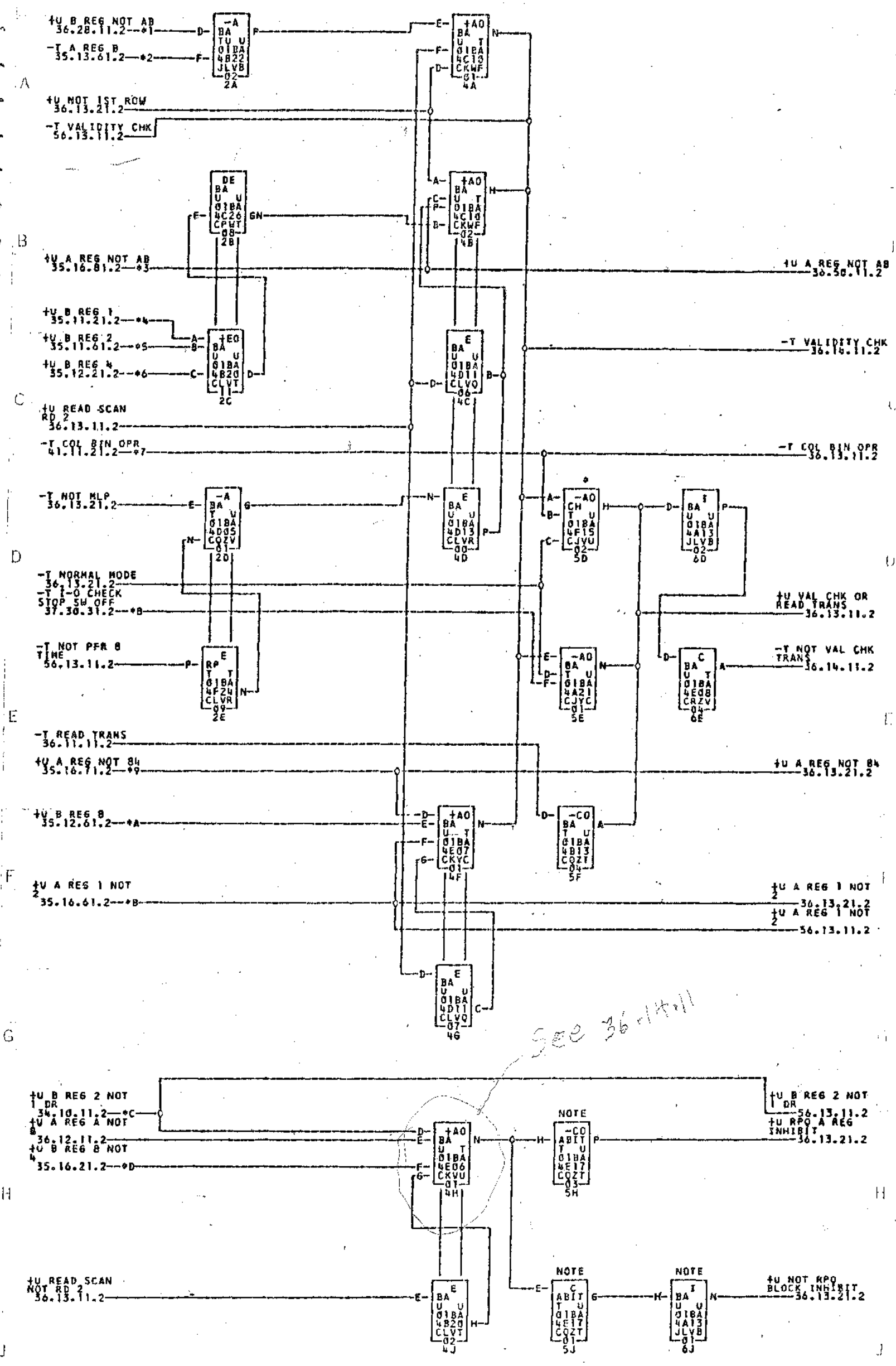
FD 113831



- *1--01B4E03L
- *2--01B4F02K
- *3--01B4D02C
- *4--01B4E03K
- *5--01B4E03E
- *6--01B4E03R
- *7--01B4F02J
- *8--01B4E02F
- *9--01B4E02Q
- *A--01B4E02P
- *B--01B4E02L
- *C--01B4E02M
- *D--01B4E01P
- *E--01B4E02H
- *F--01B4E02C
- *G--01A3A23C
- *H--02A9E01B
- *I--01B4E02B
- *J--01B2D04H
- *K--02B8F01P
- *L--01A3A23B

COMMENTS: *THIS CIRCUIT PRESENT WITH PUNCH FEED READ OPTION ONLY
 **THIS CIRCUIT PRESENT WITH COL BIN OPTION ONLY

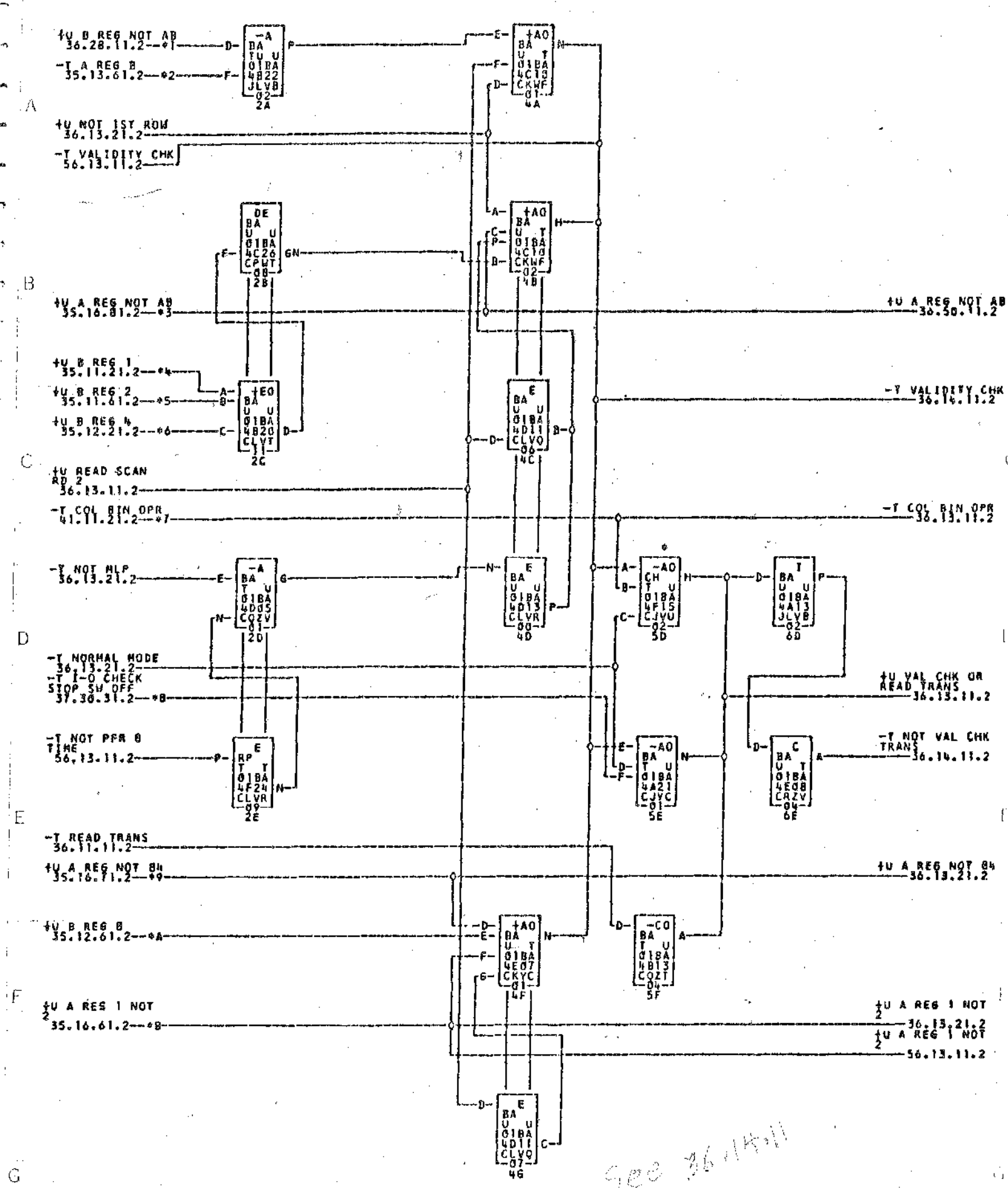
TAG	DATE	E.C.NO.	TAG	DATE	E.C.NO.	TAG	DATE	E.C.NO.
A	01-12-62	113831						



- *1--01B4E01L
- *2--01B4E02D
- *3--01B4E03M
- *4--01B4E04J
- *5--01B4E05K
- *6--01B4E06L
- *7--01B4E07B
- *8--01B4E08P
- *9--01B4E09D
- *A--01B4E10M
- *B--01B4E11H
- *C--01B4E12G
- *D--01B4E13L

COMMENTS
 *THIS CIRCUIT PRESENT WITH
 COL BIN OPTION ONLY
 NOTE THIS CIRCUITRY INSTALLED ONLY
 IF THE A BIT CN 1401 RPO IS
 PRESENT

TAG DATE	E.C.NO.	TAG DATE	E.C.NO.	TAG DATE	E.C.NO.	TAG DATE	E.C.NO.
A 01-12-62	113831						

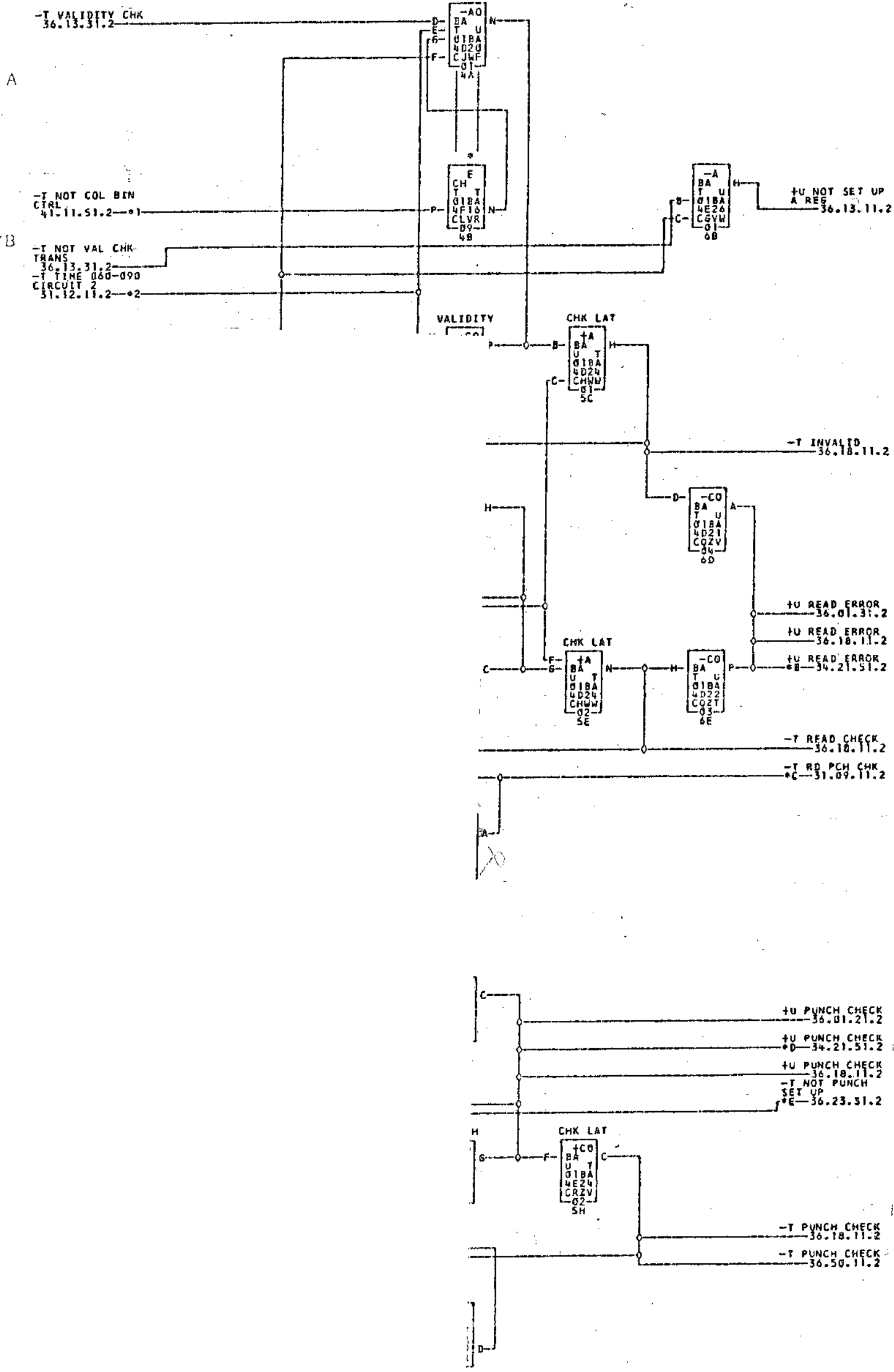


see 36.14.11

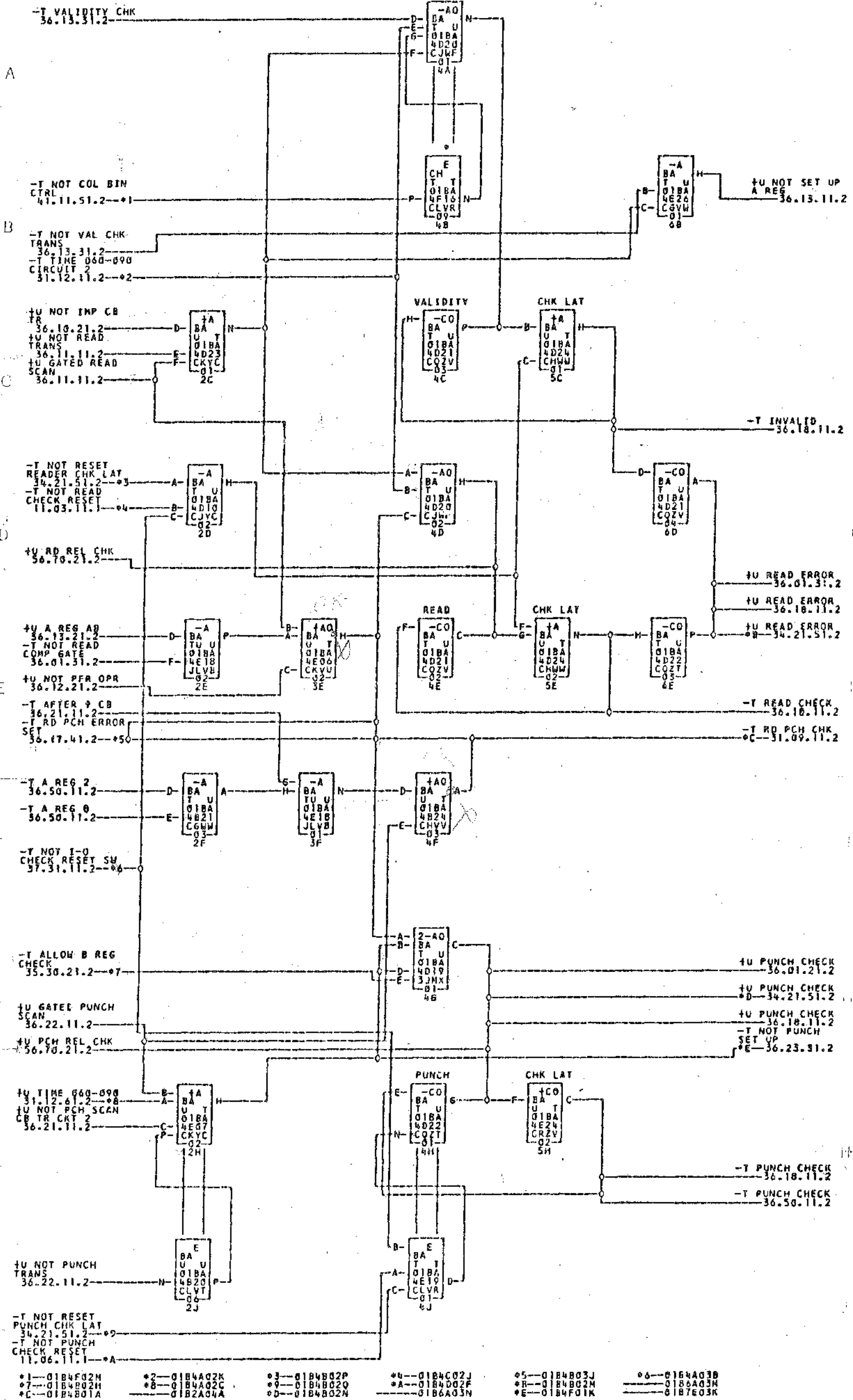
- *1--01B4F01L *2--01B4E02D *3--01B4D03N *4--01B4A01J *5--01B4A01K *6--01B4A01L
- *7--01B4F03B *8--01B4A03P *9--01B4B02D *A--01B4A01H *B--01B4E03H *C--01B4E03O
- *D--01B4B02L

*THIS CIRCUIT COMMENTS
 COL BIN OPTION WITH
 NOTE THIS CIRCUITRY INSTALLED ONLY
 IF THE A BIT ON 1401 RPO IS
 PRESENT

TAG DATE	E.C.NO.	TAG DATE	E.C.NO.	TAG DATE	E.C.NO.	TAG DATE	E.C.NO.
A 01-12-62	113831						



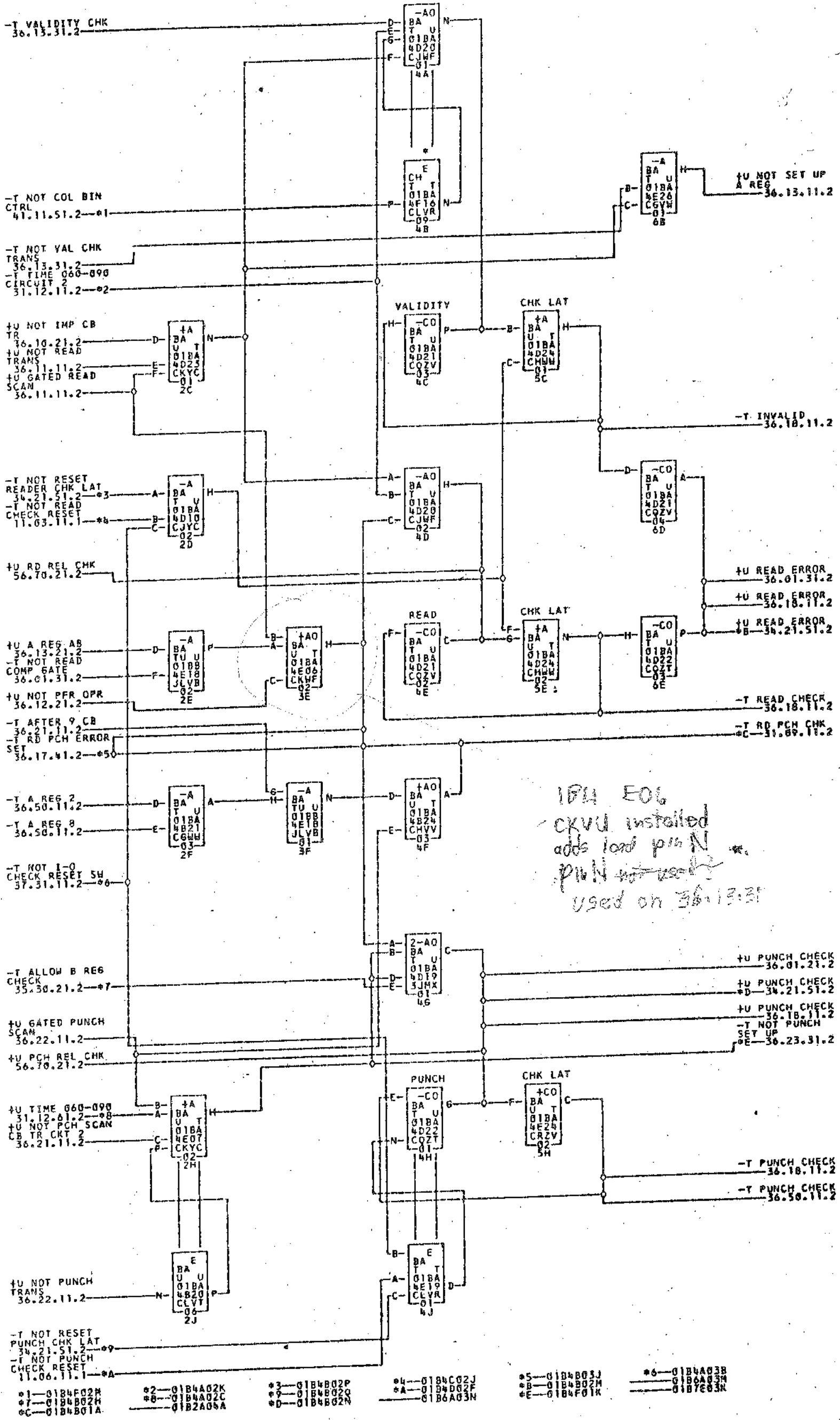
24C02J *5--0184803J *6--0164A03B
 34D02F *8--0184802M -----0186A03M
 66A03N *E--0184F01K -----0187E03K



*1-01B402M *2-01B402K *3-01B402P *4-01B402J *5-01B403J *6-01B403B
 *7-01B402H *8-01B402C *9-01B402Q *A-01B402F *R-01B402M *B-01B403H
 *C-01B401A *D-01B2A04A *D-01B402N *A-01B6A03N *E-01B4F01K *B-01B7E03K

COMMENTS
 *THIS CIRCUIT PRESENT WITH COL BIN OPTION ONLY

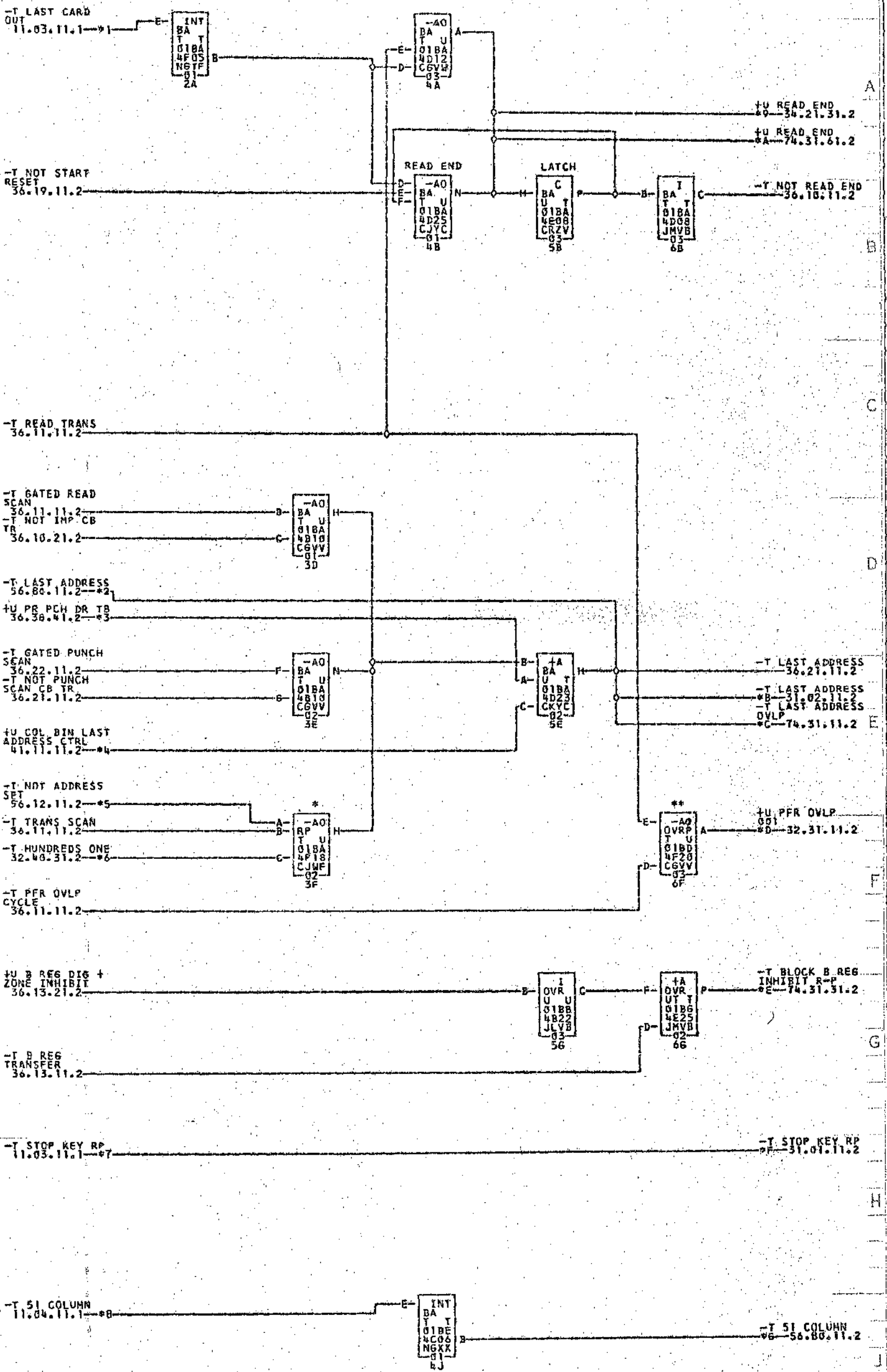
TAG DATE	E.C.NO.	TAG DATE	E.C.NO.	TAG DATE	E.C.NO.	TAG DATE	E.C.NO.
A 01-12-62	113831						



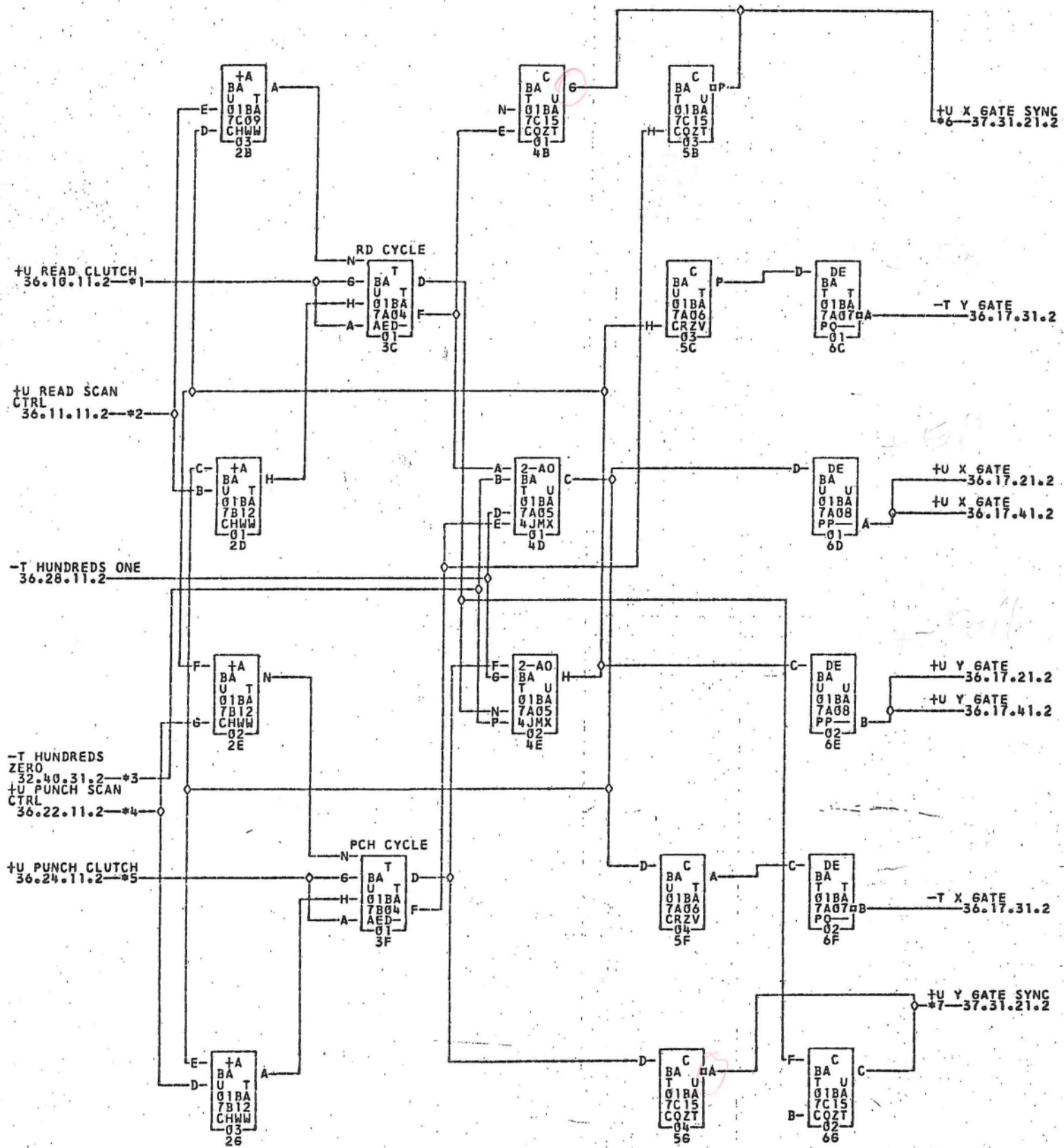
184 E06
 CKVU installed
 adds load pin N
 Pin N not used
 Used on 36.13.31

THIS CIRCUIT PRESENT WITH COL BIN OPTION ONLY

TAG	DATE	E.C.NO.	TAG	DATE	E.C.NO.	TAG	DATE	E.C.NO.	TAG	DATE	E.C.NO.
A	06-08-61	110320L	B	12-08-61	113422						



- *1-01B4C01R
- *2-01B4A01N
- *3-01B4B03N
- *4-01B4F02H
- *5-01B4B03M
- *6-01B4F01A
- *7-01B4C02C
- *8-01B4C01D
- *9-01B4B02A
- *A-01B6A03A
- *B-01B4F04P
- *C-01B4F03M
- *D-02A9D17C
- *E-01B4D04E
- *F-02A0A13D
- *G-01B4A01P
- *H-02B1D01D
- *I-01A6F206
- *J-01A6C26L
- *K-01A7D25L
- *L-01A6E26L
- *M-01A7B23B
- *N-01B2A04N
- *O-01A6C26L
- *P-01A6F26H
- *Q-01A7D25R
- *R-01B4B01N
- *S-01A6F206
- *T-01B4A01H
- *U-01A6C26R



*1—01B7B01B
 01B4F016
 01A2A19N

*2—01B7B01H
 01B4A03F

*3—01B7C02N
 01A2A19F

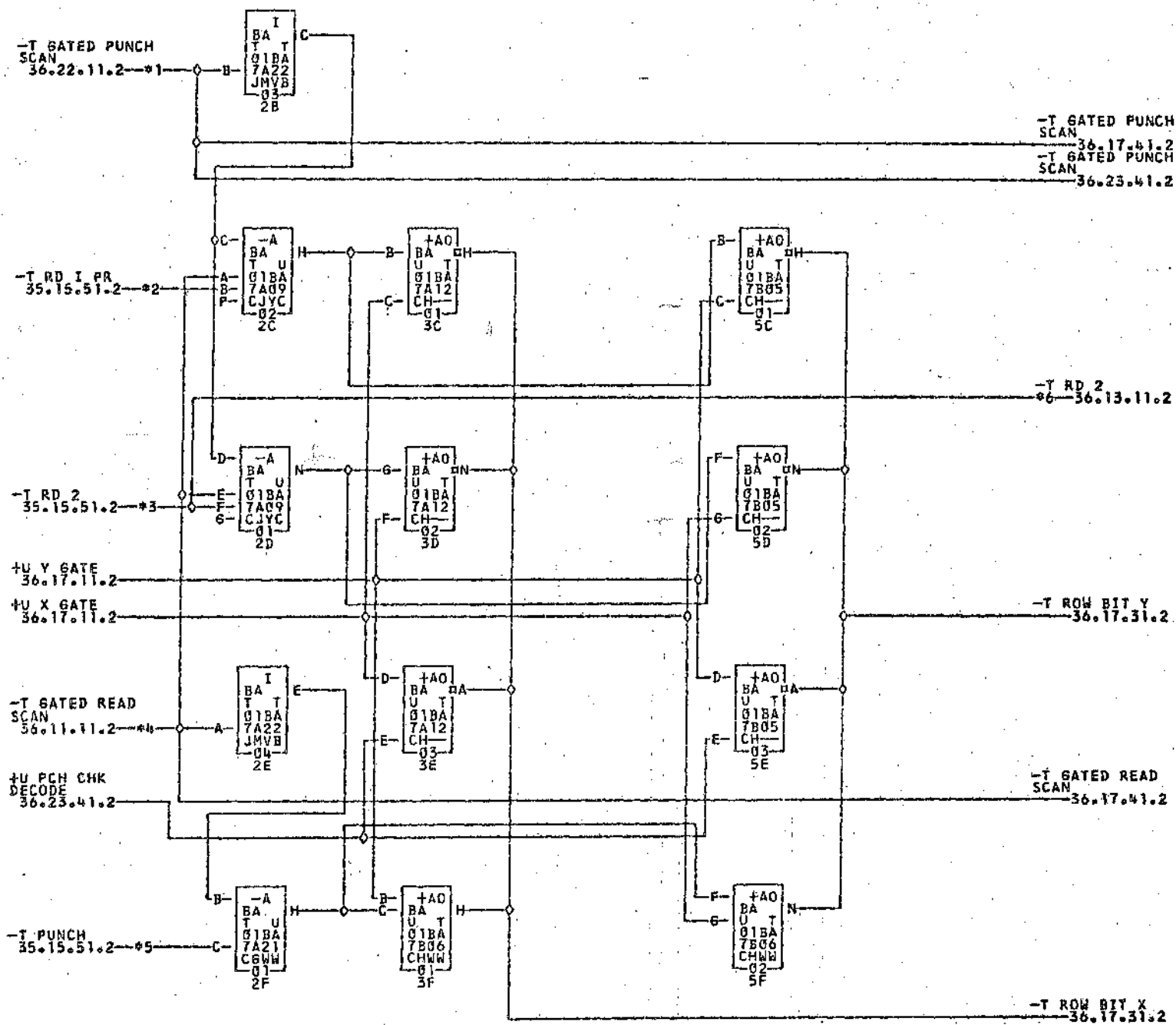
*4—01B7B01Q
 *7—01B7E03H

*5—01B7B01C
 01B4F01H

*6—01B7E036
 01B4A03N

COMMENTS

TAG	DATE	E.C.NO.	TAG	DATE	E.C.NO.	TAG	DATE	E.C.NO.	TAG	DATE	E.C.NO.
A	06-12-61	1103205	B	04-29-63	114066						



RPQ
* *
01BD
7E04
USED
01
26

RPQ
* *
01BD
7B13
USED
01
36

RPQ
* *
01BD
7A14
USED
01
46

RPQ
* *
01BD
7B15
USED
01
56

RPQ
* *
01BD
7A16
USED
01
66

RPQ
* *
01BD
7A17
USED
01
2H

RPQ
* *
01BD
7A18
USED
01
3H

RPQ
* *
01BD
7A19
USED
01
4H

RPQ
* *
01BD
7B14
USED
01
5H

RPQ
* *
01BD
7B15
USED
01
6H

RPQ
* *
01BD
7B16
USED
01
2J

RPQ
* *
01BD
7B17
USED
01
3J

RPQ
* *
01BD
7B18
USED
01
4J

RPQ
* *
01BD
7B19
USED
01
5J

FILT
BA
* *
01BD
7F26
USED
01
6J

#1-01B7B01E
01B4B03L

#2-01B7B03H

#3-01B7B03J

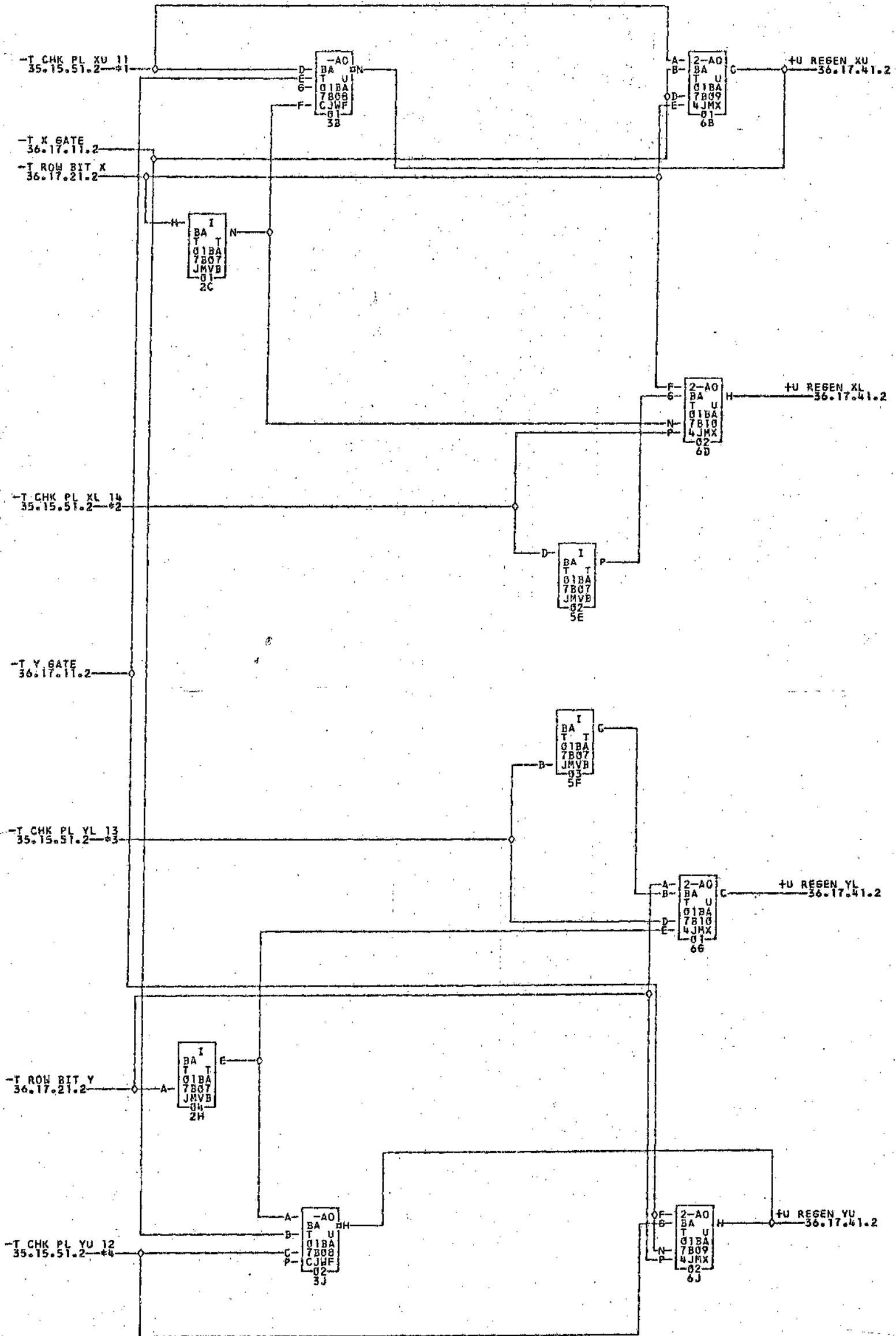
#4-01B7B01D

#5-01B7B03P

#6-01B7B01L

COMMENTS

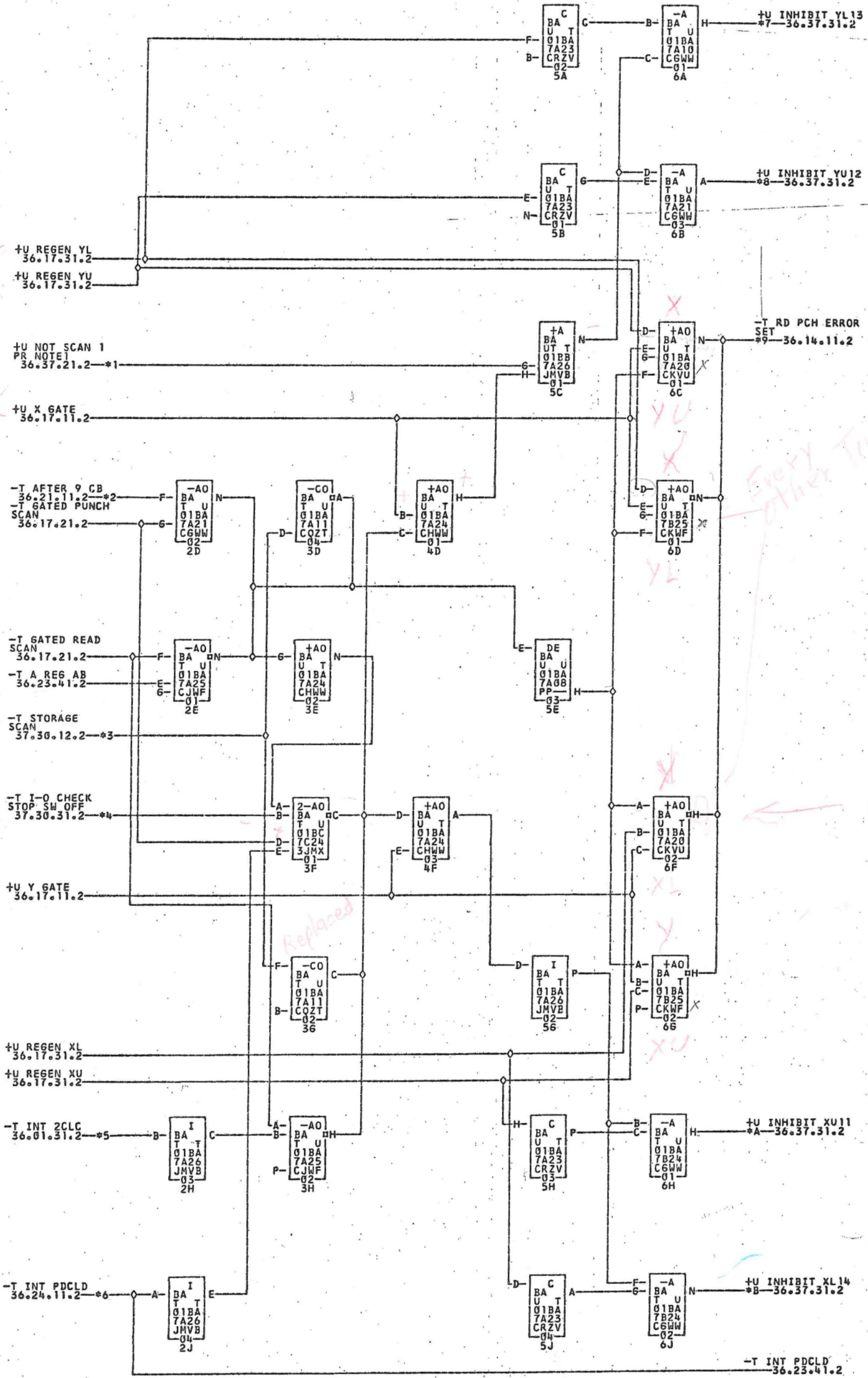
TAG DATE E.C.NO. TAG DATE E.C.NO. TAG DATE E.C.NO. TAG DATE E.C.NO.
A 06-12-61 1103205 B 10-12-61 112237 C 12-06-61 113422 D 04-29-63 114066



*1—01B7B03K *2—01B7B03N *3—01B7B03M *4—01B7B03L

COMMENTS

TAG	DATE	E.C.NO.	TAG	DATE	E.C.NO.	TAG	DATE	E.C.NO.	TAG	DATE	E.C.NO.
A	06-12-61	1103285	B	04-29-63	1140666						

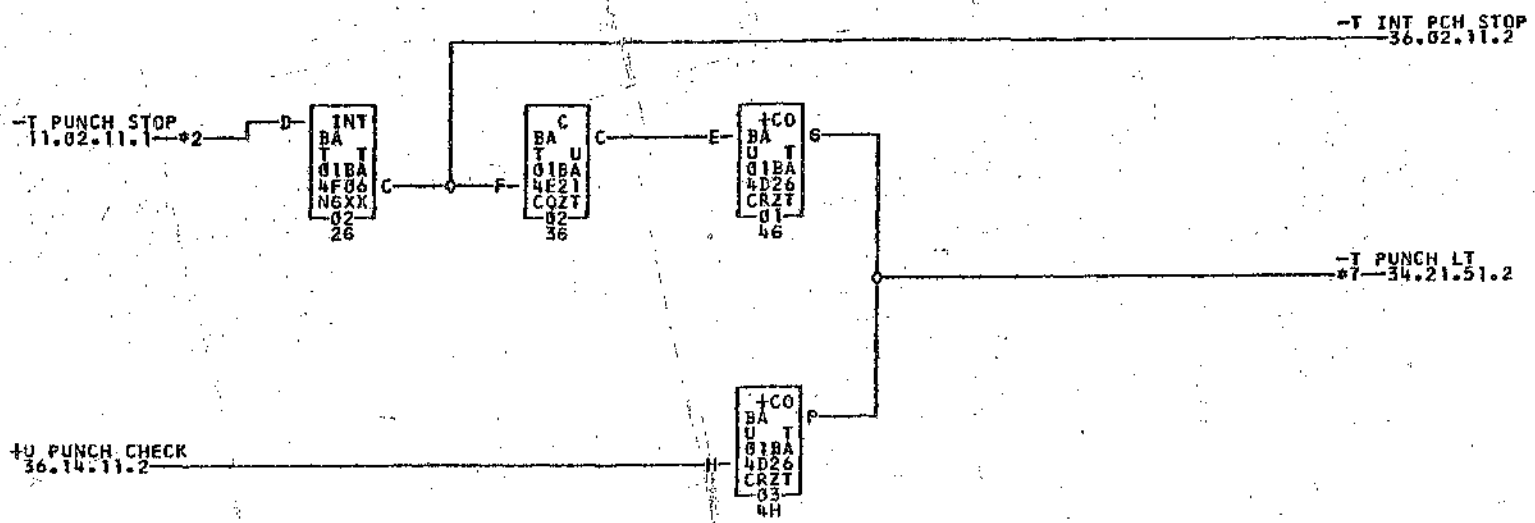
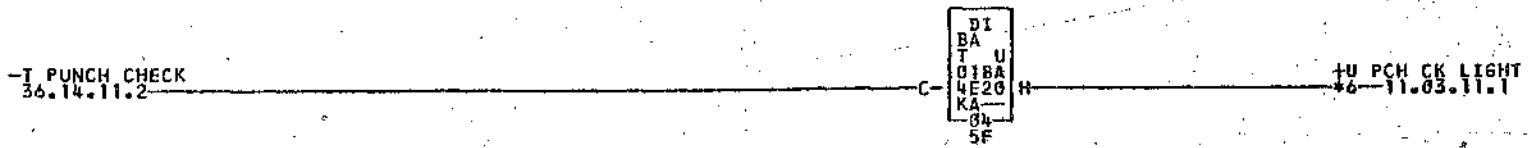
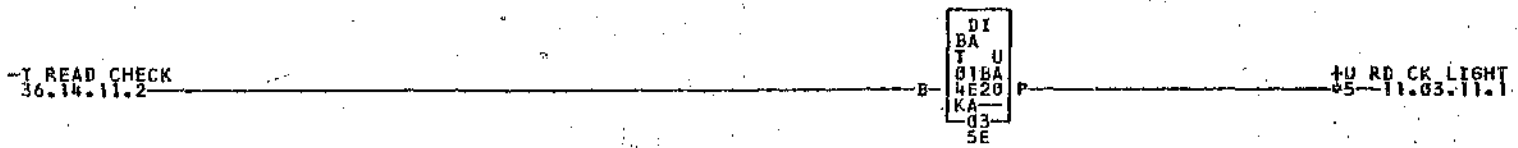
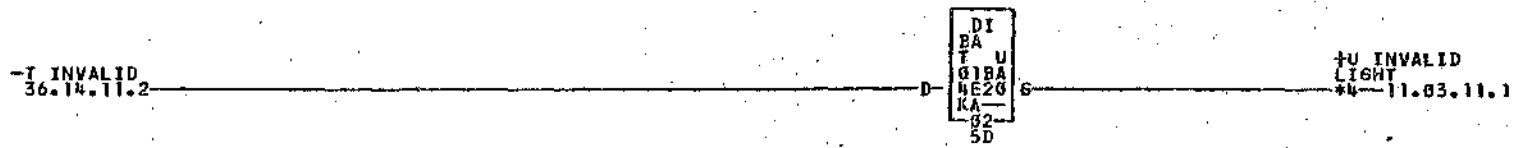
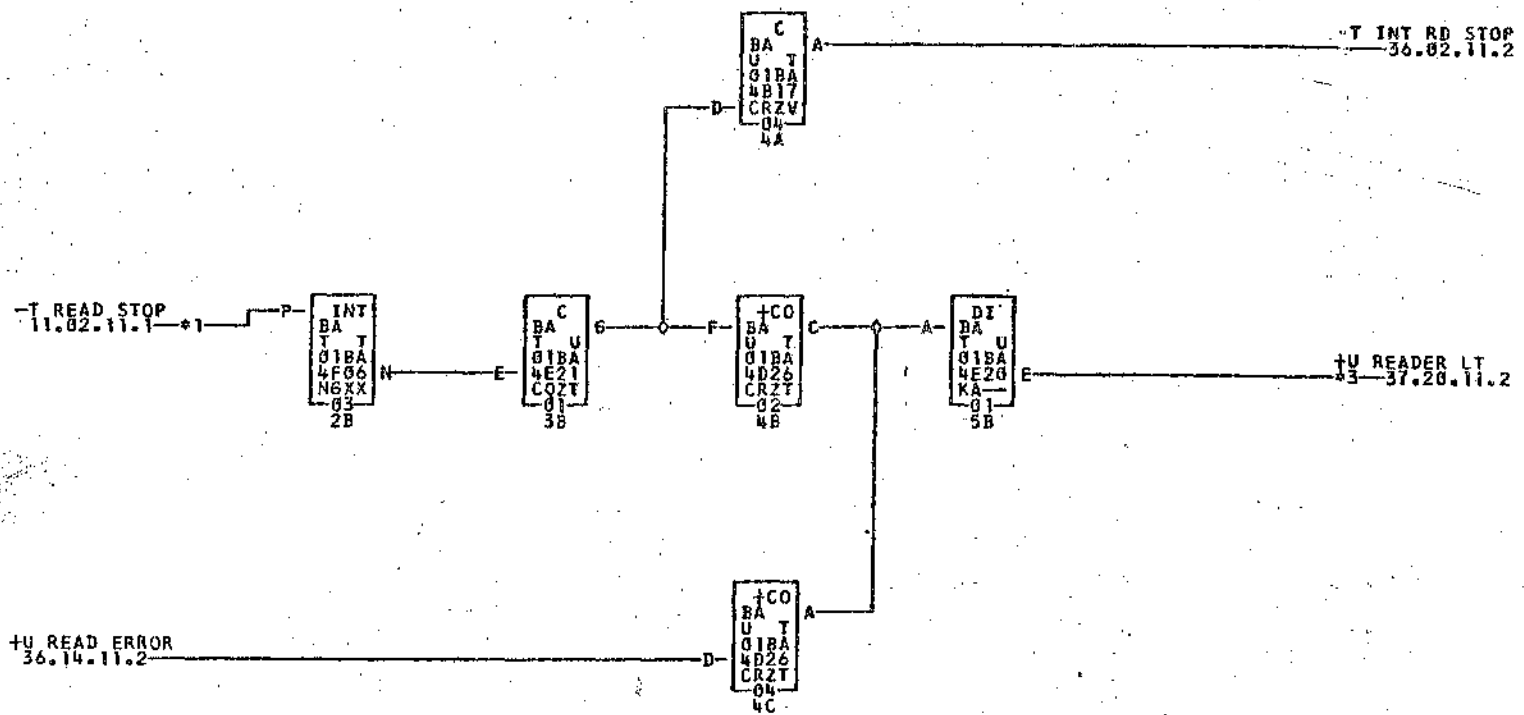


- *1-01B7A02P
- *2-01B7B016
- *3-01B7A02N
- *4-01B7A02E
- *5-01B7A010
- *6-01B7A01P
- *7-01B7A02J
- *8-01A6D25J
- *9-01A6A24C
- *A-01A1D02C
- *B-01B7B01J
- *C-01A6D25H
- *D-01A6D25G
- *E-01B7A02G
- *F-01A6A24D
- *G-01A1D02D

NOTE 1 USED WITH NPF ONLY

COMMENTS

TAG	DATE	E.C.NO.	TAG	DATE	E.C.NO.	TAG	DATE	E.C.NO.	TAG	DATE	E.C.NO.
A	06-12-61	110320S	B	12-06-61	113422	C	04-29-63	114066			



*1-01B4C01B
*5-01B4C02E

*2-01B4D01K
RC182

*3-01B4A03C
*6-01B4D02E

01A2A19C
PC190

*4-01B4C02F
*7-01B4B02B

RC183
01B6A03B

COMMENTS

TAG	DATE	E.C.NO.	TAG	DATE	E.C.NO.	TAG	DATE	E.C.NO.	TAG	DATE	E.C.NO.
A	06-08-61	110328L	B	11-12-62	110448						

IBM INSTALLATION INSTRUCTIONS

NO. 486444

NAME

SHEET OF
36

REFERENCE (Drawing)	Fig.	Ch. Cat.	NAME
	8.18		ALTER LOGIC 36.19.11.2, GATE 01B4, AS FOLLOWS, FOR ALL MACHINES.
			<p>*-U PROCESS M 1402 99.99.91.1</p> <hr/> <p>ADDED</p> <p>SIGNALS PRECEDED BY AN ASTERISK INDICATE DIRECT CABLE EXPANSION</p>
			<p>-U PROCESS M 1402 X 8-PC 186</p> <p>X 8-01B4D01J</p>

ENG. CHANGE	DATE NO.	9-26-63 118320	10-8-63 118320F						DATE TYPED

-T START RELAY
31.10.11.2-#1
+U START KEY RP
N-0
+U START KEY RP
M-0
11.03.11.1-#2
M-C
11.03.11.1-#3

-T START RELAY
31.11.03.11.1
+U START KEY RP
N-0
+U START KEY RP
M-0
31.01.11.2
M-C
31.01.11.2

+U GATED WM
31.07.11.2-#4

+U GATED WM
31.07.11.2
+U GATED WM
36.58.11.2

+U X GATE SYNC
36.17.11.2-#5

+U X GATE SYNC
37.31.21.2

+U COL BIN PROG
SKIP
41.11.21.2-#6
+U PFR PROG
SKIP
56.15.11.2-#7

+U COL BIN+PFR
PROG SKIP
31.08.11.2

-T NOT I RING 1
31.31.11.1-#8

-T NOT I RING 1
41.11.81.2

+U TRANS READ
BRUSHES
56.15.11.2-#9

+U TRANS READ
BRUSHES
11.06.11.1

-T PUNCH OPR
35.27.11.2-#A

-T PUNCH OPR
56.15.11.2

-T READ OPR
35.27.11.2-#B

-T READ OPR
56.15.11.2

+U Y GATE SYNC
36.17.11.2-#C

+U Y GATE SYNC
37.31.21.2

-T DELTA A
CYCLE
31.22.11.2-#D

-T DELTA A
CYCLE
41.11.41.2

-T I RING 5
31.31.21.2-#E

-T I RING 5
74.11.11.2

-T TIME 105-000
31.12.42.2-#F

-T I RING 5
41.11.21.2

+U TIME 030-060
31.12.51.2-#G

-T I RING 5
56.15.11.2

-T TIME 105-000
56.15.11.2

+U TIME 030-060
36.11.11.2

+U TIME 030-060
36.22.11.2

-T NOT PRINT
OPR
31.02.21.2-#H

-T NOT PRINT
OPR
41.11.21.2

+U I RING 2+5
31.31.31.2-#J

+U I RING 2+5
74.31.01.2

NOTE 1
-T NOT START
RESET
37.30.31.2-#K

+U I RING 2+5
56.15.11.2

+U I RING 2+5
41.11.21.2

+U I RING 2+5
36.50.11.2

-T NOT START
RESET
36.01.21.2

-T NOT START
RESET
36.01.31.2

-T NOT START
RESET
36.10.11.2

-T NOT START
RESET
36.02.11.2

-T NOT START
RESET
36.10.21.2

-T NOT START
RESET
36.11.11.2

-T NOT START
RESET
36.16.11.2

-T NOT START
RESET
36.22.11.2

-T NOT START
RESET
36.24.11.2

-T NOT START
RESET
36.21.11.2

-T NOT START
RESET
56.70.21.2

+U TIME 000-030
31.12.51.2-#L

+U TIME 000-030
36.10.21.2

+U TIME 000-030
36.11.11.2

+U TIME 000-030
36.21.11.2

+U TIME 000-030
36.10.11.2

+U TIME 000-030
36.22.11.2

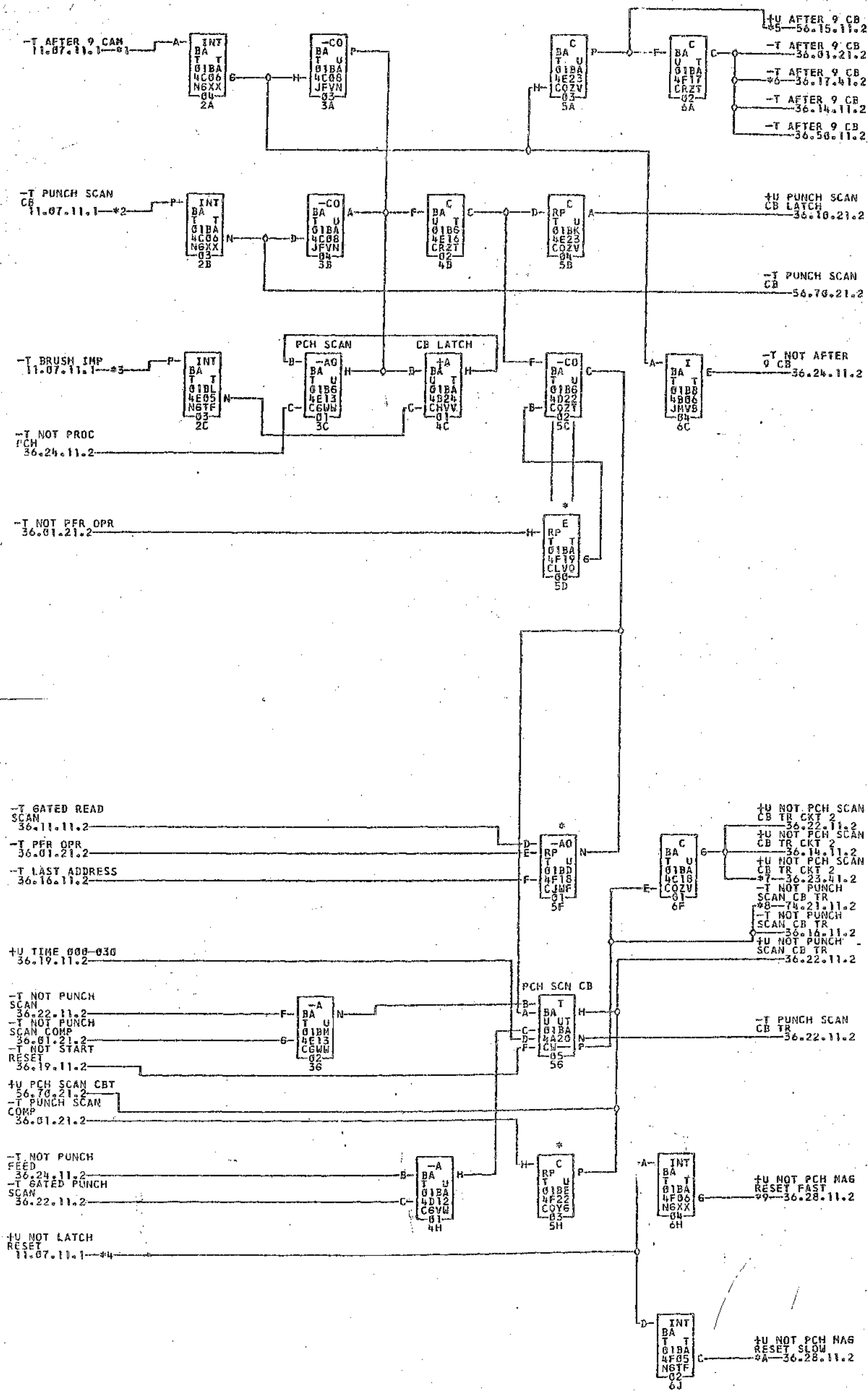
+U TIME 000-030
36.24.11.2

*1-01B4A03L	*2-01B4C02D	*3-01B4C02K	*4-01B4B010	*5-01B4F016	*6-01B4F02F
*7-01B4F01J	*8-01B4E01K	*9-01B4C03R	*A-01B4D03C	*B-01B4D03B	*C-01B4F01H
*D-01B4E01J	*E-01B4E01G	*F-01B4A02E	*G-01B4A02D	*H-01B4E01L	*J-01B4B02E
*K-01B4A03H	*L-01B4A02B	*M-01B4D02G	*N-01B4A01B	*O-01A4F26B	*P-01A6E26M
*R-01B2B01N	*P-01B4B01D	*Q-01B2A04D	*Q-01B4F03M	*T-02A9D19C	*S-02B8F02N
*R-01B4A03F	*U-01A2A19F	*S-01B4E01A	*V-01B2B04A	*T-01B4F02D	*W-02A9D01B
*2-02B8F01D	*U-01B4C02M	*RC199	*V-01B4C03H	*U-01B7A01H	*W-01B4B03R
*K-01B7B01R	*X-01B4A03N	*01A2A19N	*Y-01B4F02Q	*V-02A9E03B	*X-02B8F01Q
*Z-01B4F03L	*2A9D15C	*02B1C02N	*01-01B4F03L	*W-02A9D15C	*Y-02B8F02L
*2-01B4F01F	*01B7E03F	*03-01B4C04J	*01-01B7C01J	*X-01B4F02R	*Z-02A9E05B
*2B8F01K	*5-01B4F03F	*02A9D01C	*02B1C02K	*04-01B4F01H	*01B7E03H
*7-01B4F03D	*2A9D01C	*02B8F02D			

COMMENTS

TAG DATE	E.C.NO.	TAG DATE	E.C.NO.	TAG DATE	E.C.NO.	TAG DATE	E.C.NO.
A 06-08-61	110320L	B 07-11-61	110324L	C 01-29-62	11303B		

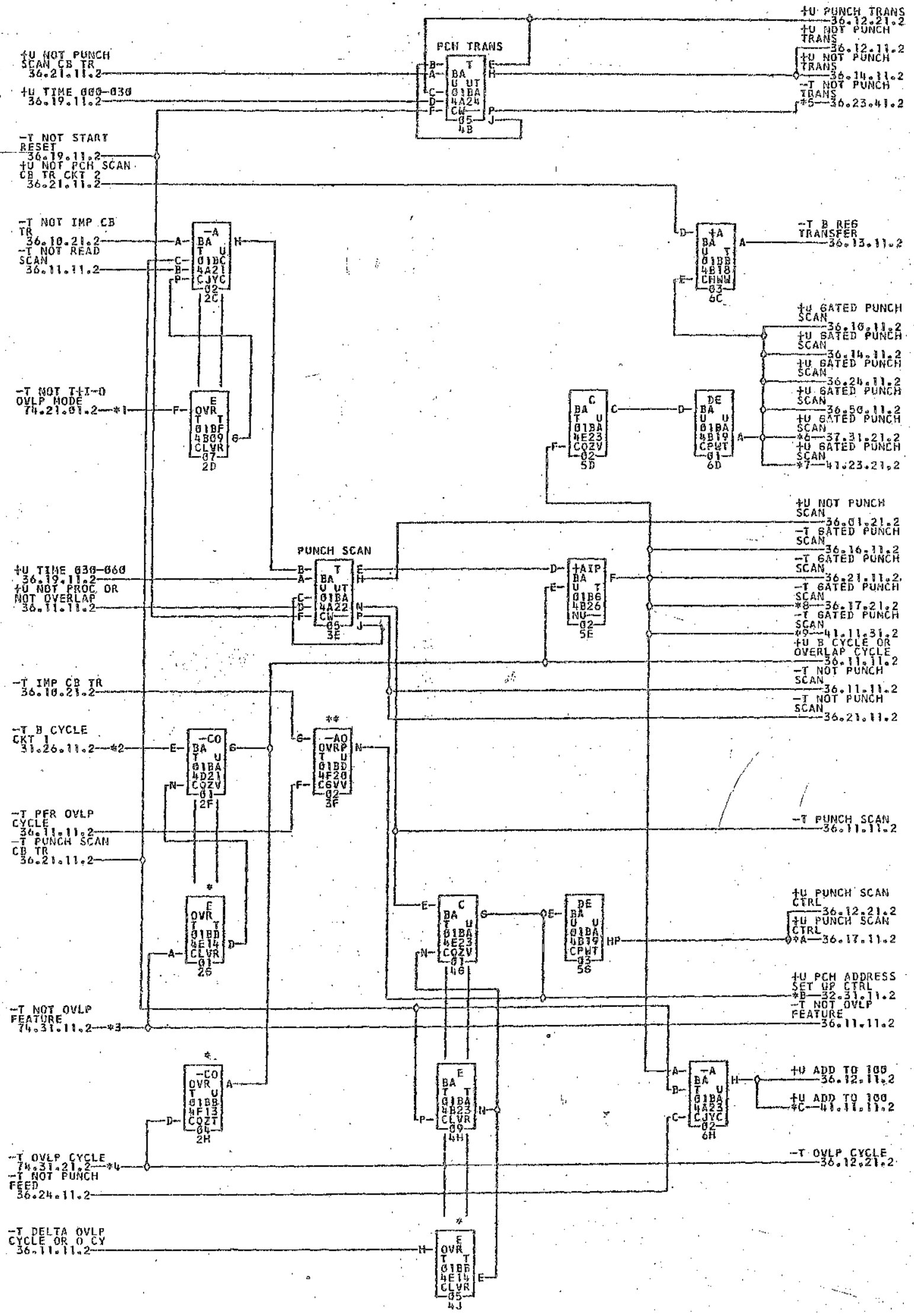
NOTE 1: C.IMP. OPR. FROM A03N TO B04J



- *1--01B4D01A *2--01B4D01B *3--01B4D02J *4--01B4D01R *5--01B4C04B *6--01B4B036
- 01B7B016 *7--01B4B03F *8--01B7B01F *8--01B4F04R *2A9A03D *6--02B1D01E
- *9--01B4C036 *A--01B7A016 *A--01B4B03A *B--01B7B01A

*THIS CIRCUIT PRESENT WITH PUNCH FEED READ OPTION ONLY

TAG	DATE	F.C.NO.	TAG	DATE	F.C.NO.	TAG	DATE	F.C.NO.	TAG	DATE	F.C.NO.
A	06-06-61	110320L	B	07-11-61	110322H	C	08-15-61	110324N	D	09-18-61	110324V
E	09-21-61	110324V	F	09-25-61	112229	G	10-05-61	112232	H	10-19-61	112241
J	11-03-61	112902	K	12-20-61	113560	L	08-20-62	112922	M	11-12-62	114648



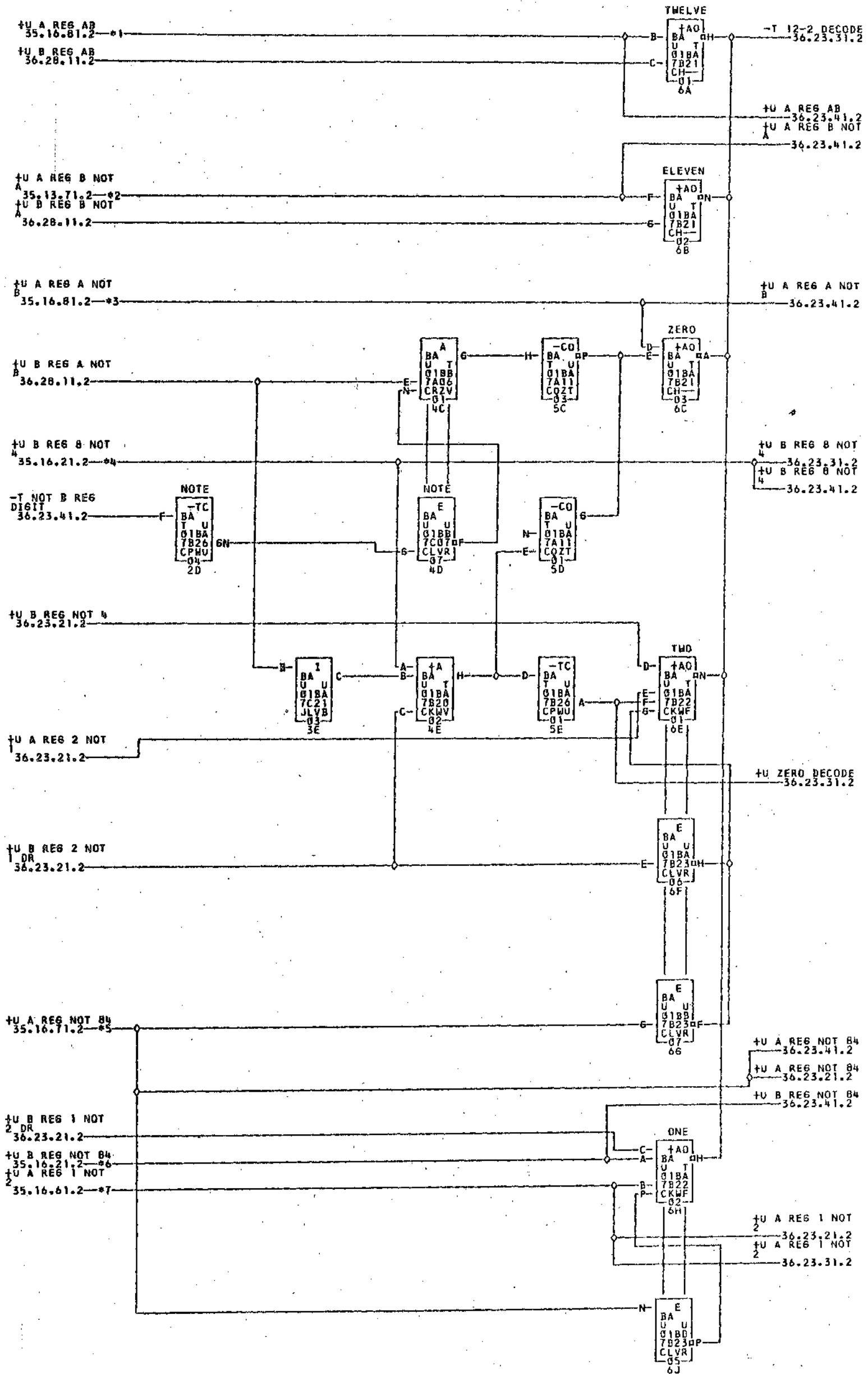
- *1-01B4E01D *2-01B4E01R *3-01B4D04M *4-01B4D04H *5-01B4F01N *6-01B7E03N
- *6-01B4A03E *7-01A2A19E *7-01B4F03P *8-02A9E01C *8-02B8F02P *8-01B4B03E
- *8-01B7B01E *9-01B4F03J *8-02A9D11C *9-02B8F02J *A-01B4B03Q *8-01B7B01D
- *B-01B4A01E *1A-01A6F26E *1A-01A6C26A *1A-01A7D25A *C-01B4F02B *8-02A9C17B
- *2B-02B8F01B

COMMENTS

*-THIS CIRCUIT PRESENT WITH PROCESS OVERLAP OPTION ONLY

**-CIRCUIT PRESENT ONLY IF BOTH PER OPTION + PROC OVLP OPTION ARE PRESENT

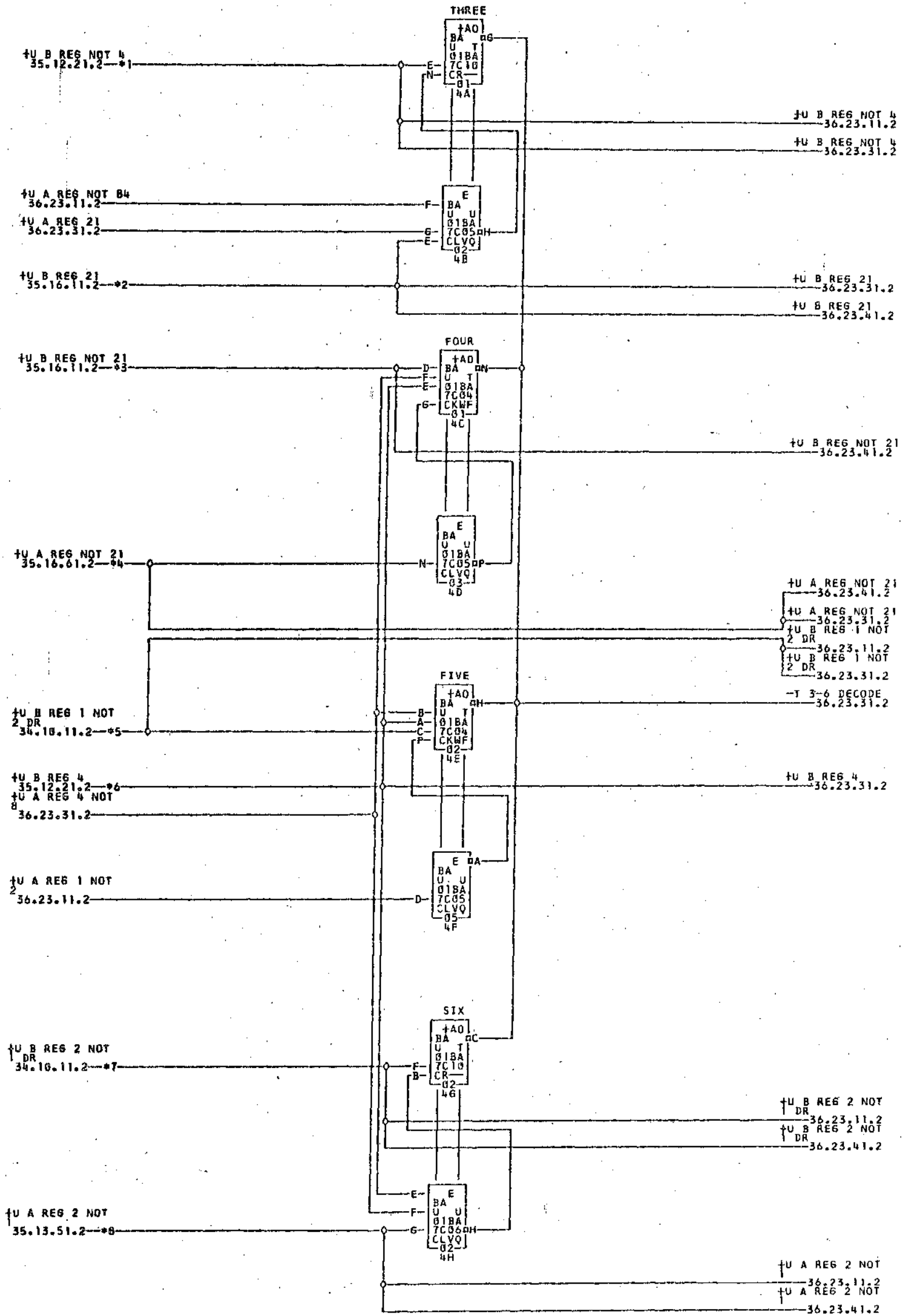
TAG	DATE	E.C.NO.	TAG	DATE	E.C.NO.	TAG	DATE	E.C.NO.	TAG	DATE	E.C.NO.
A	06-08-61	110329L	B	07-11-61	110329L	C	08-15-61	110329N	D	09-01-61	110329S
E	09-28-61	112231	F	11-10-61	112903	G	12-06-61	115422	H	11-12-62	114048



- *1—01B7B03G
- *2—01B7B03F
- *3—01B7B03E
- *4—01B7A03J
- *5—01B7B03D
- *6—01B7A03L
- *7—01B7A03P

NOTE—THIS CIRCUITRY INSTALLED ONLY IF THE A BIT ON 1401 RPQ IS PRESENT

TAG DATE	E.C.NO.	TAG DATE	E.C.NO.	TAG DATE	E.C.NO.	TAG DATE	E.C.NO.
A 01-12-62	113831	B 04-29-63	114066				



*1--01B7A03E
*7--01B7A03C

*2--01B7A03A
*8--01B7A03Q

*3--01B7A03B

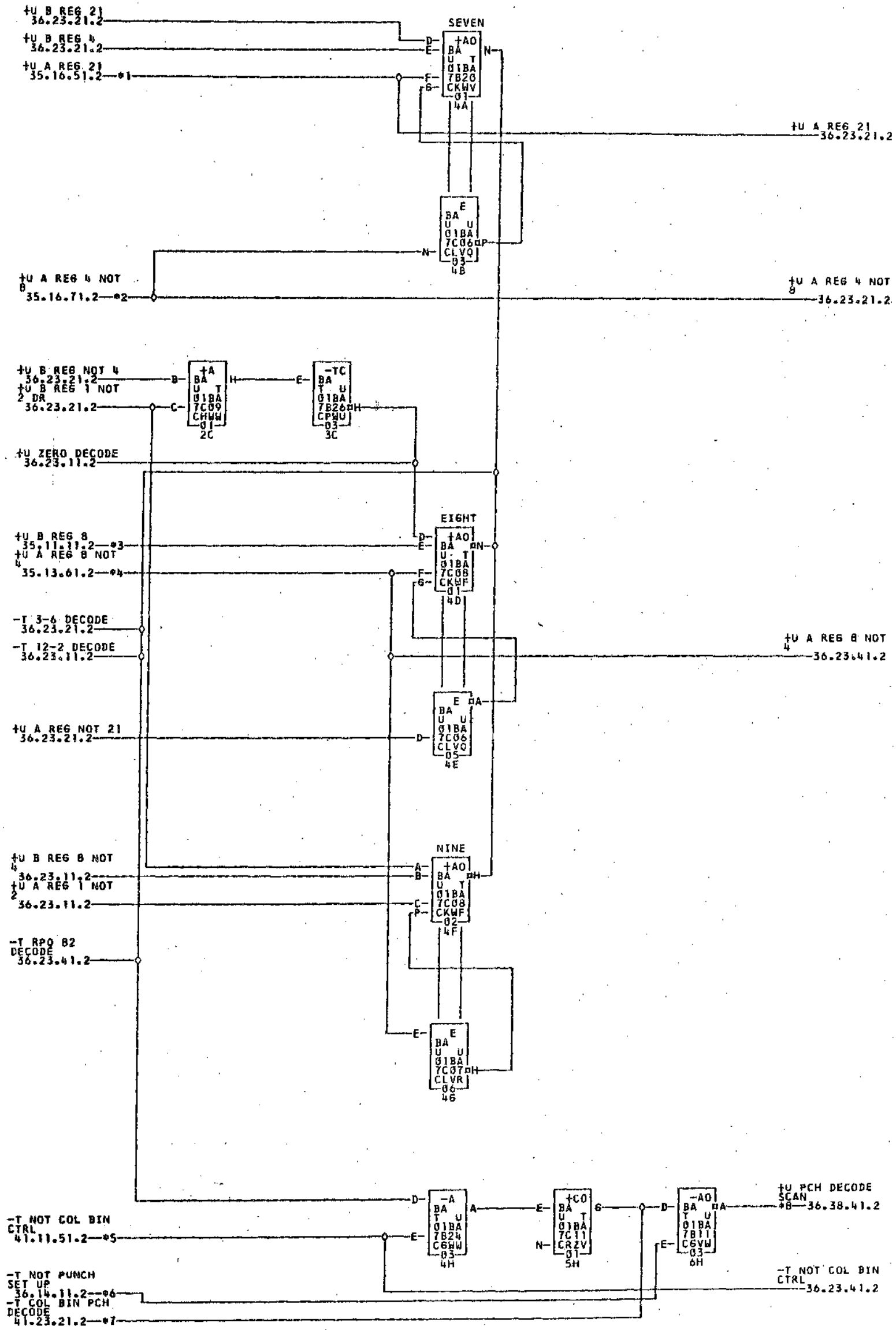
*4--01B7B03A

*5--01B7B03R

*6--01B7A03D

COMMENTS

TAG	DATE	E.C.NO.	TAG	DATE	E.C.NO.	TAG	DATE	E.C.NO.	TAG	DATE	E.C.NO.
A	01-12-62	113831	B	04-29-63	114066						



*1-01B7A03R
*7-01B7D01N

*2-01B7B03B
*8-01B7B02L

*3-01B7C03B
*1B5A26L

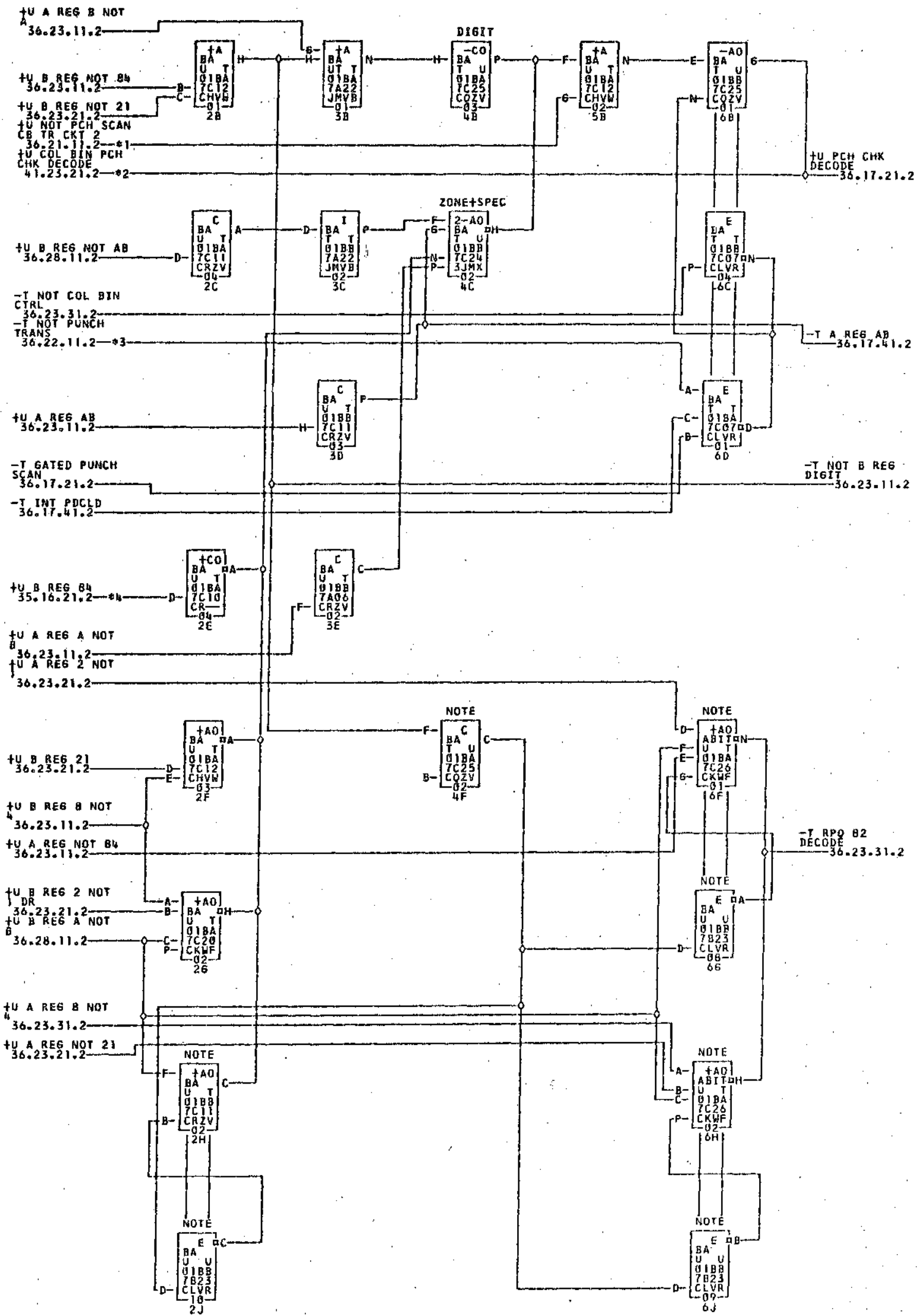
*4-01B7B03C

*5-01B7D01M

*6-01B7E03K

COMMENTS

TAG	DATE	E.C.NO.	TAG	DATE	E.C.NO.	TAG	DATE	E.C.NO.	TAG	DATE	E.C.NO.
A	01-12-62	113831	B	04-29-63	114066						

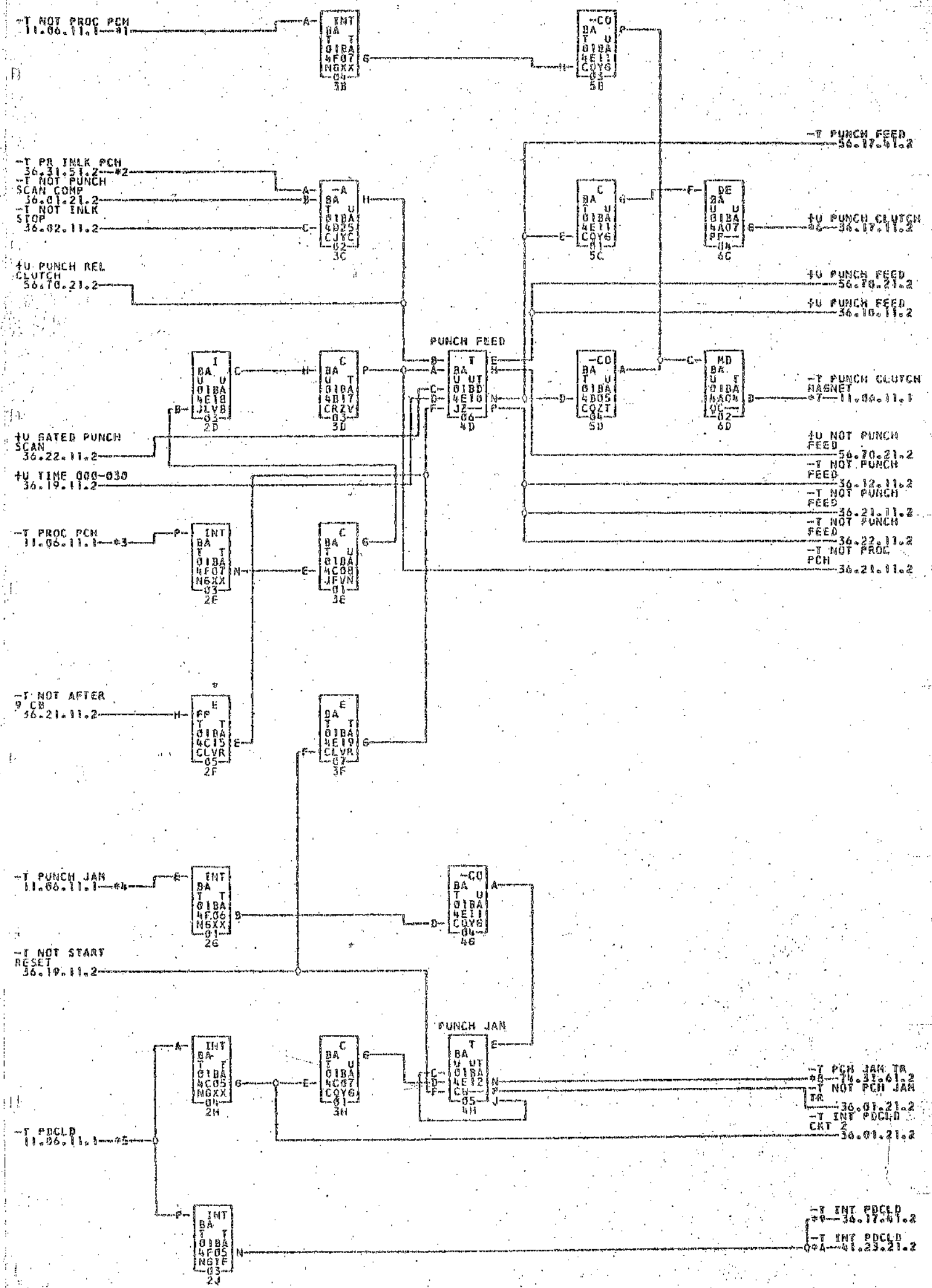


*1-01B7B01F *2-01B7D01P *3-01B7E03N *4-01B7A03K

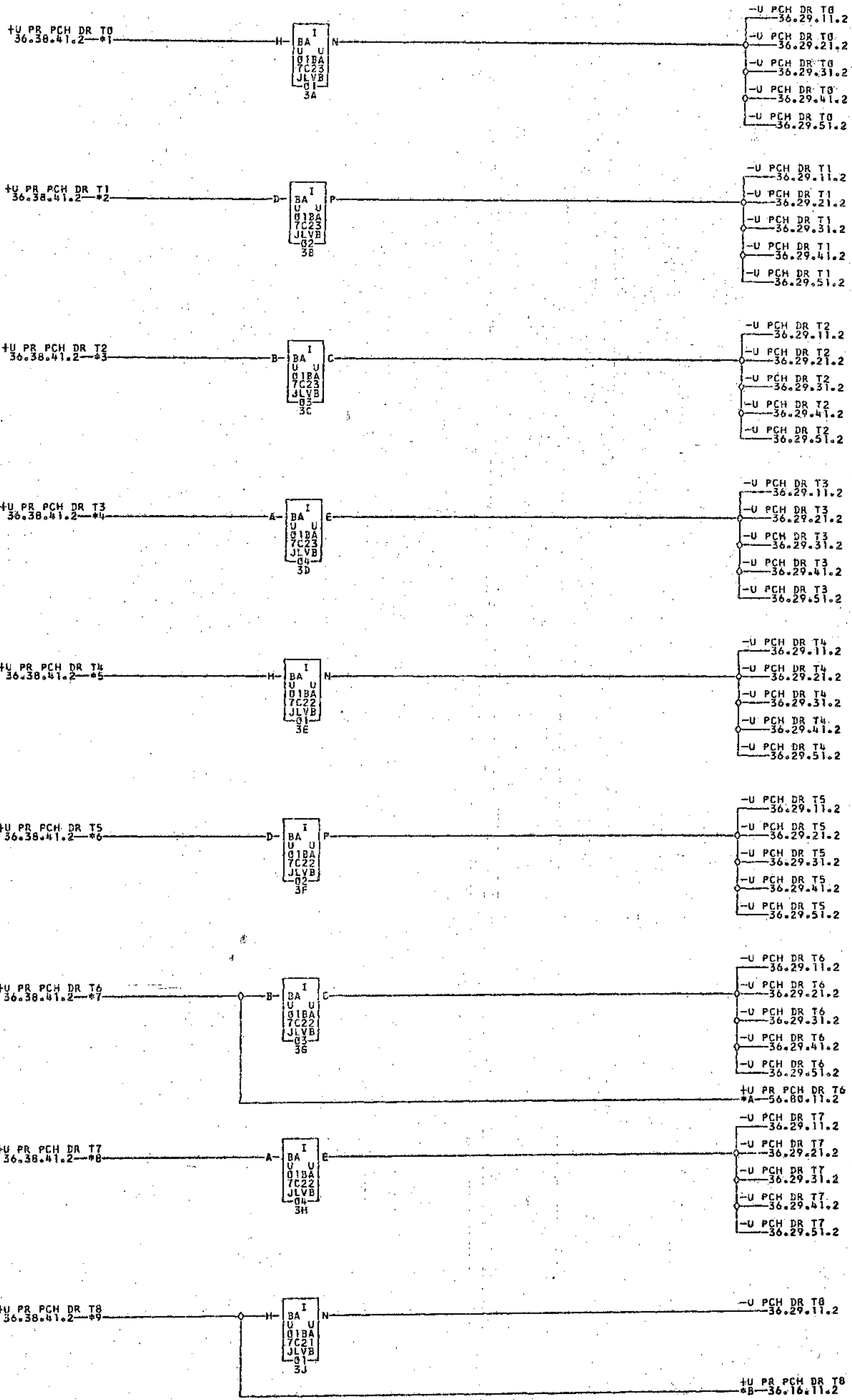
NOTE-THIS CIRCUITRY INSTALLED ONLY IF THE A BIT ON 1401 RPO IS PRESENT

COMMENTS TAG DATE E.C.NO. TAG DATE E.C.NO. TAG DATE E.C.NO. TAG DATE E.C.NO.

A 01-12-62 113831 B 04-29-63 114066

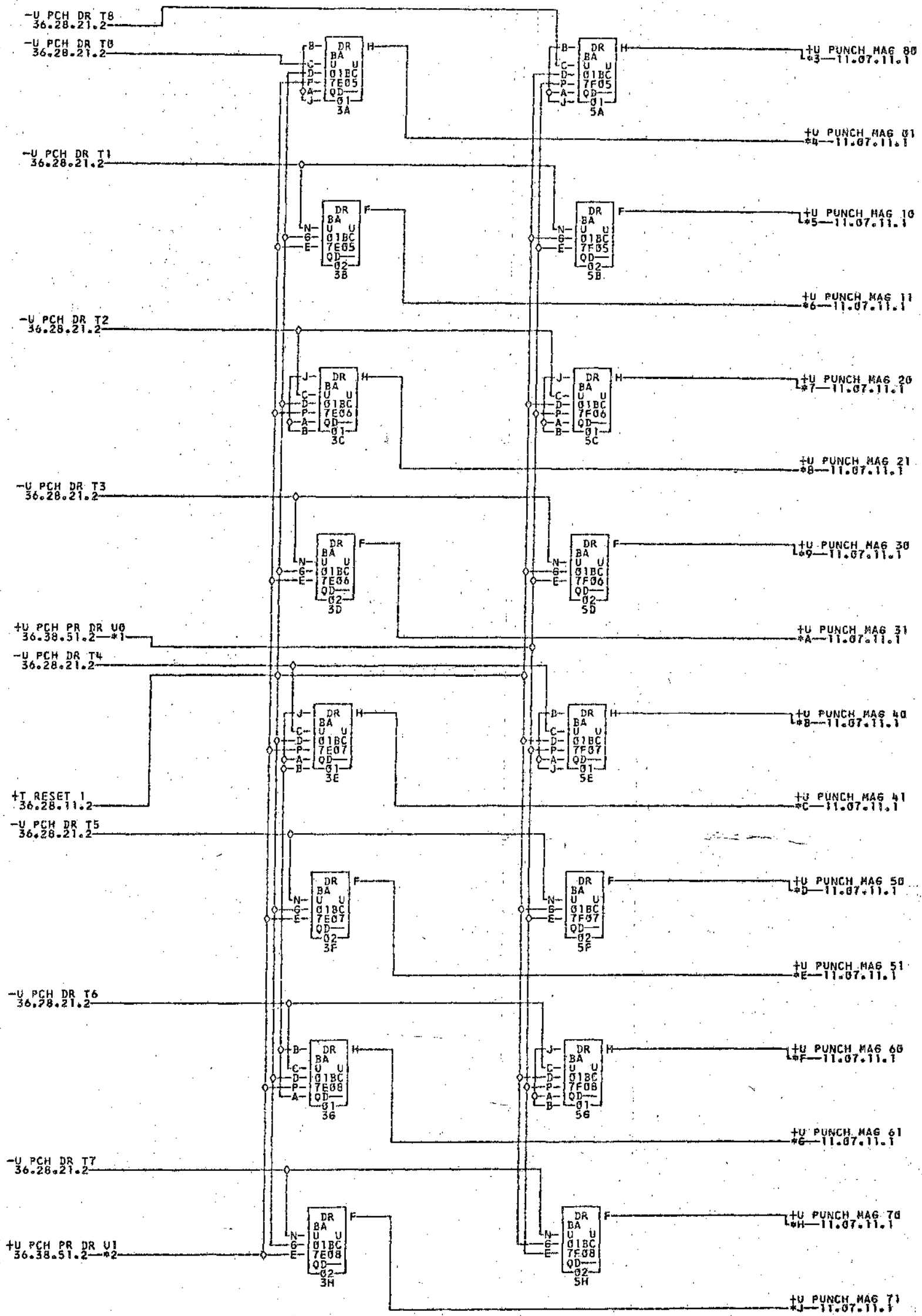


- *1--01B4D01E
- *2--01B4A01D
- *3--01B4D01E
- *4--01B4D01G
- *5--01B4D01C
- *6--01B4D01E
- *7--01B4D02A
- *8--01B4F04J
- *9--01B4C03F
- *10--01B7A01P
- *11--01B4F02N
- *12--02A9D19B
- *13--02A9A09C
- *14--02B1D01C



- *1-01B7B02A *2-01B7B02B *3-01B7B02C *4-01B7B02D *5-01B7B02E *6-01B7B02F
- *7-01B7B02G *8-01B7B02H *9-01B7B02J *A-01B7D02H 01A8E24H *B-01B7B01N
- 01B4B03N

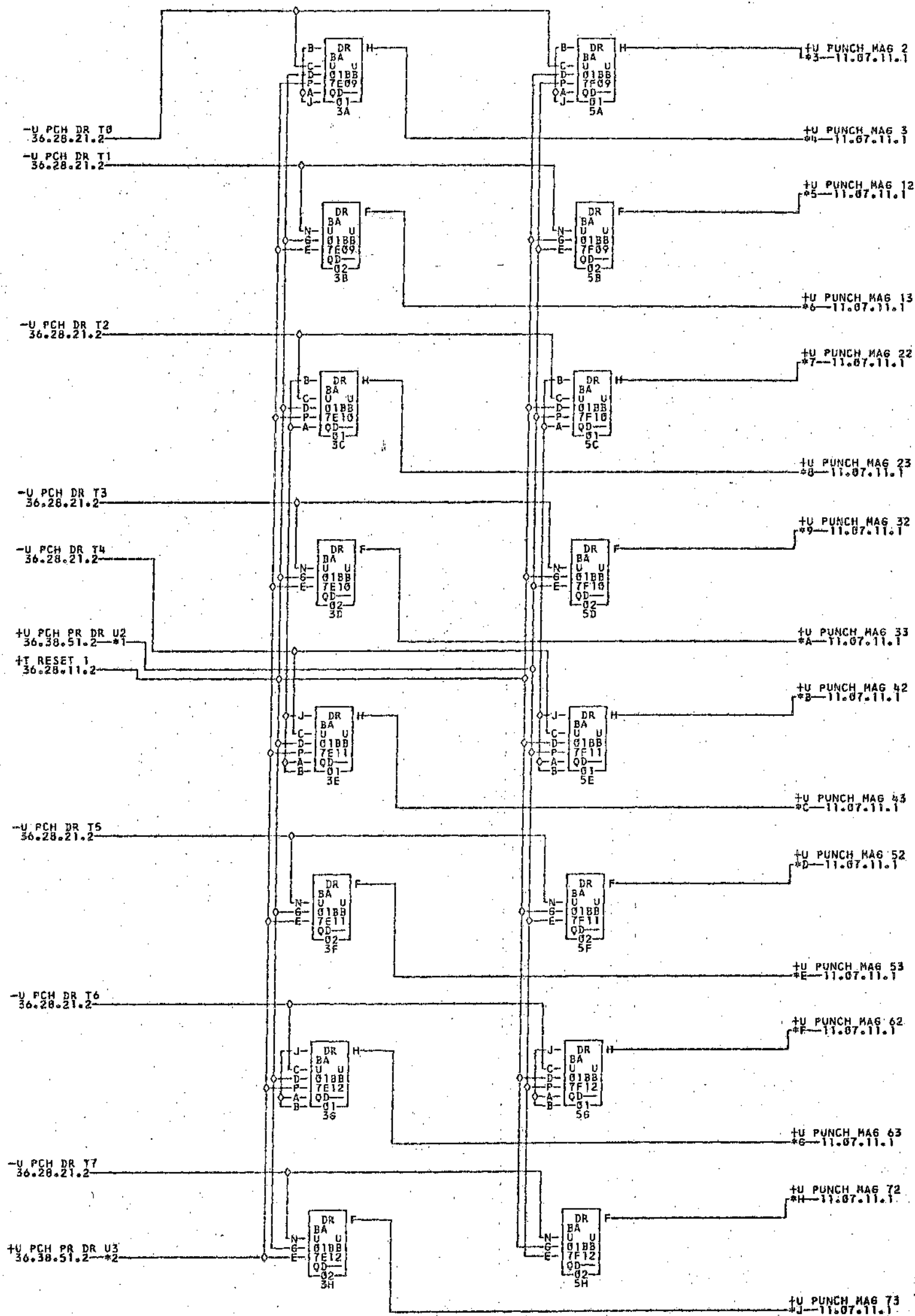
COMMENTS			TAG DATE E.C.NO.			TAG DATE E.C.NO.			TAG DATE E.C.NO.		
			A	06-12-61	1163285	B	04-29-63	114666			



- *1-01B7C02A *2-01B7C02B *3-01B7F03R *4-01B7E01A *5-01B7E01K *6-01B7E01L
- *7-01B7E02D *8-01B7E02E *9-01B7E02P *A-01B7E02Q *B-01B7F01H *C-01B7F01J
- *D-01B7F02B *E-01B7F02C *F-01B7F02M *G-01B7F02N *H-01B7F03F *J-01B7F03G

COMMENTS

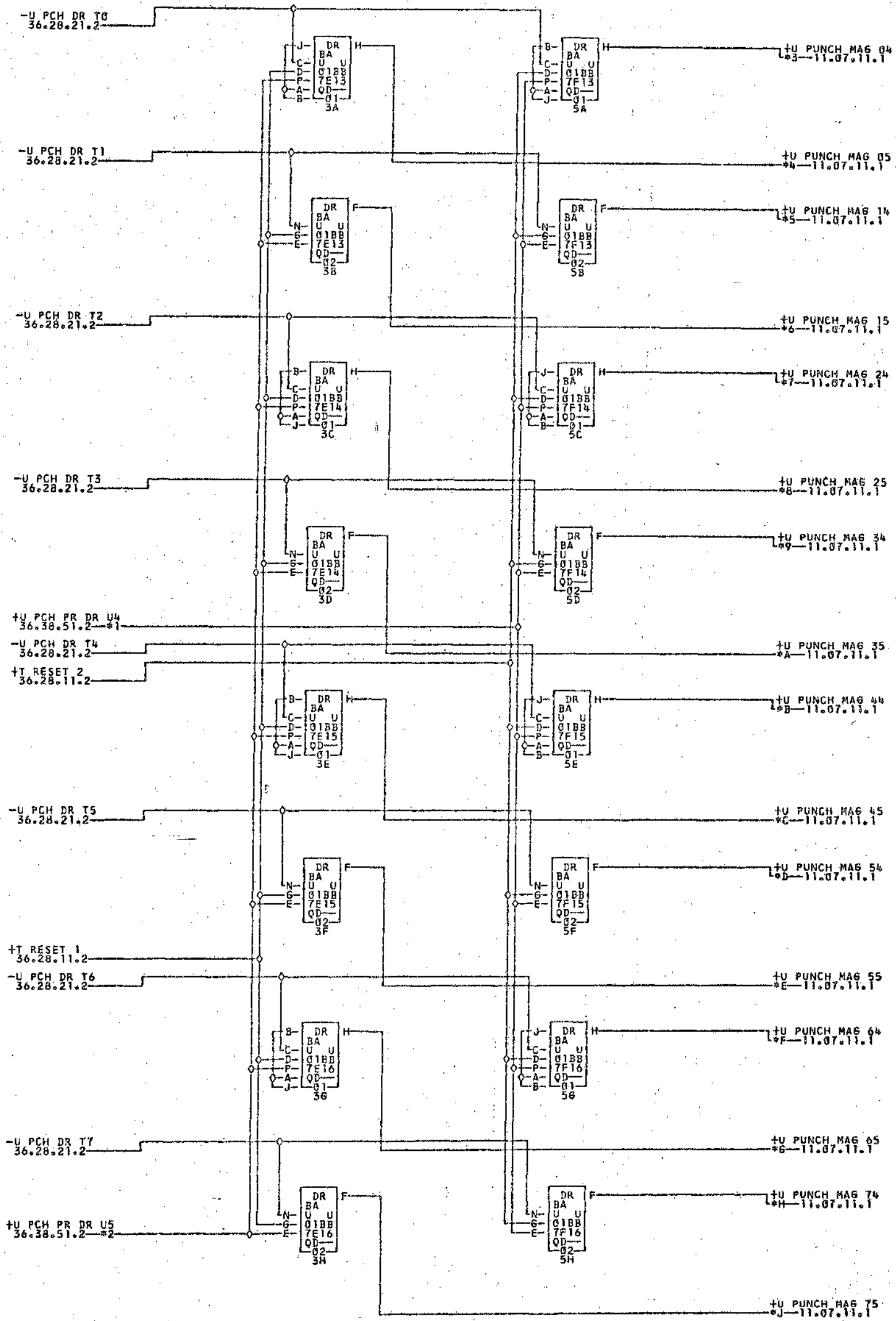
TAG	DATE	E.C.NO.	TAG	DATE	E.C.NO.	TAG	DATE	E.C.NO.
A	06-12-61	1103205	B	07-27-61	1103249	C	04-29-63	110066



- *1-01B7C02C *2-01B7C02D *3-01B7E01B *4-01B7E01C *5-01B7E01M *6-01B7E01N
- *7-01B7E02F *8-01B7E02G *9-01B7E02R *A-01B7F01A *B-01B7F01K *C-01B7F01L
- *D-01B7F02D *E-01B7F02E *F-01B7F02P *G-01B7F02Q *H-01B7F03H *J-01B7F03J

COMMENTS

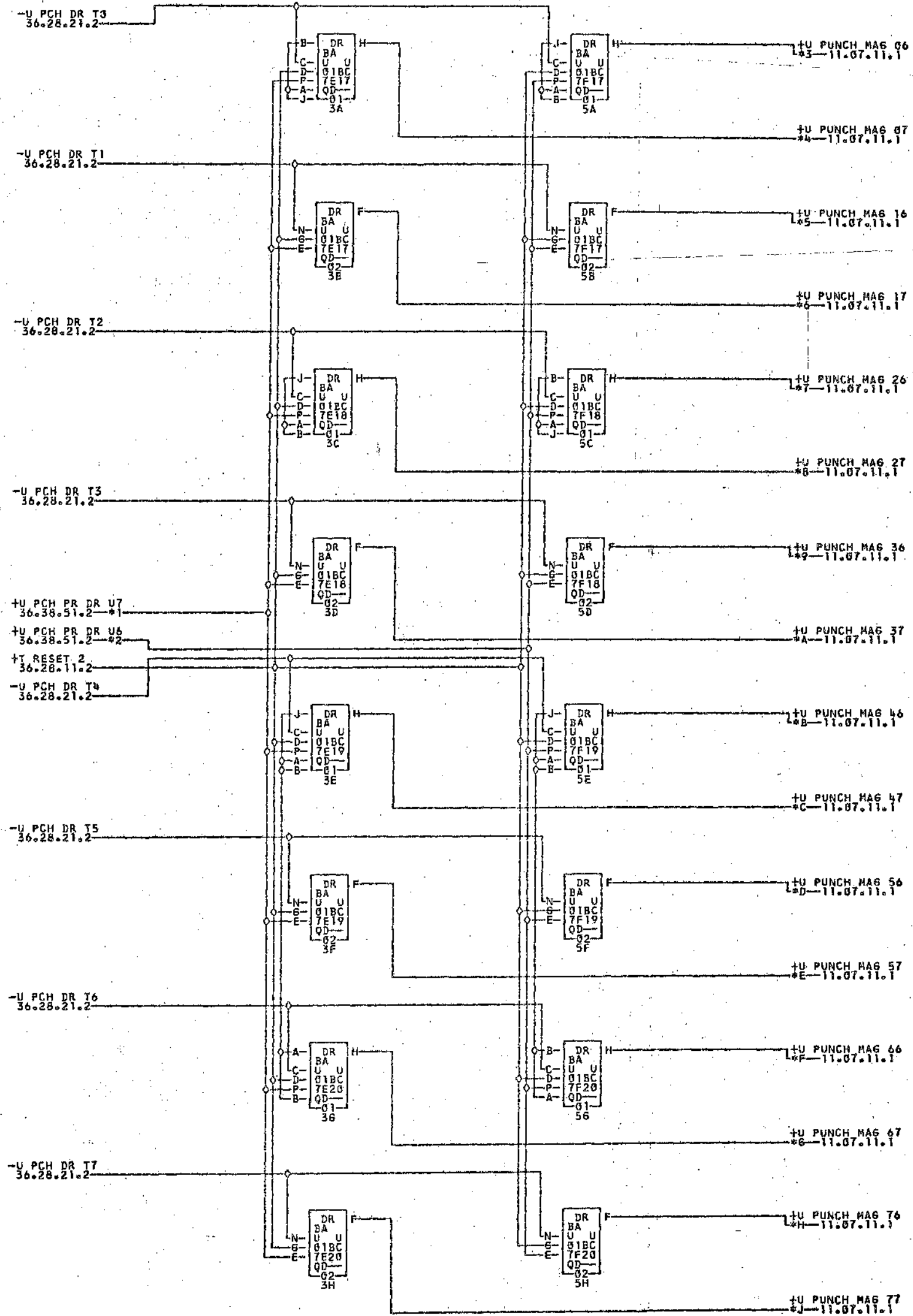
TAG DATE: E.C.NO.	TAG DATE: E.C.NO.	TAG DATE: E.C.NO.	TAG DATE: E.C.NO.
A 06-12-61 110320S	B 04-29-63 110066		



- *1—01B7C02E *2—01B7C02F *3—01B7E01D *4—01B7E01E *5—01B7E01P *6—01B7E01Q
- *7—01B7E02H *8—01B7E02J *9—01B7E01B *A—01B7F01C *B—01B7F01M *C—01B7E01N
- *D—01B7F02F *E—01B7F02G *F—01B7F02R *G—01B7F03A *H—01B7F03K *J—01B7F03L

COMMENTS

TAG	DATE	E.C.NO.	TAG	DATE	E.C.NO.	TAG	DATE	E.C.NO.	TAG	DATE	E.C.NO.
A	06-12-61	1103205	B	04-29-63	110666						



- *1-01B7C02H *2-01B7C02G *3-01B7E01F *4-01B7E01G *5-01B7E01R *6-01B7E02A
- *7-01B7E02K *8-01B7E02L *9-01B7F01D *A-01B7F01E *B-01B7F01P *C-01B7F01Q
- *D-01B7F02H *E-01B7F02J *F-01B7F03B *G-01B7F03C *H-01B7F03M *J-01B7F03N

COMMENTS

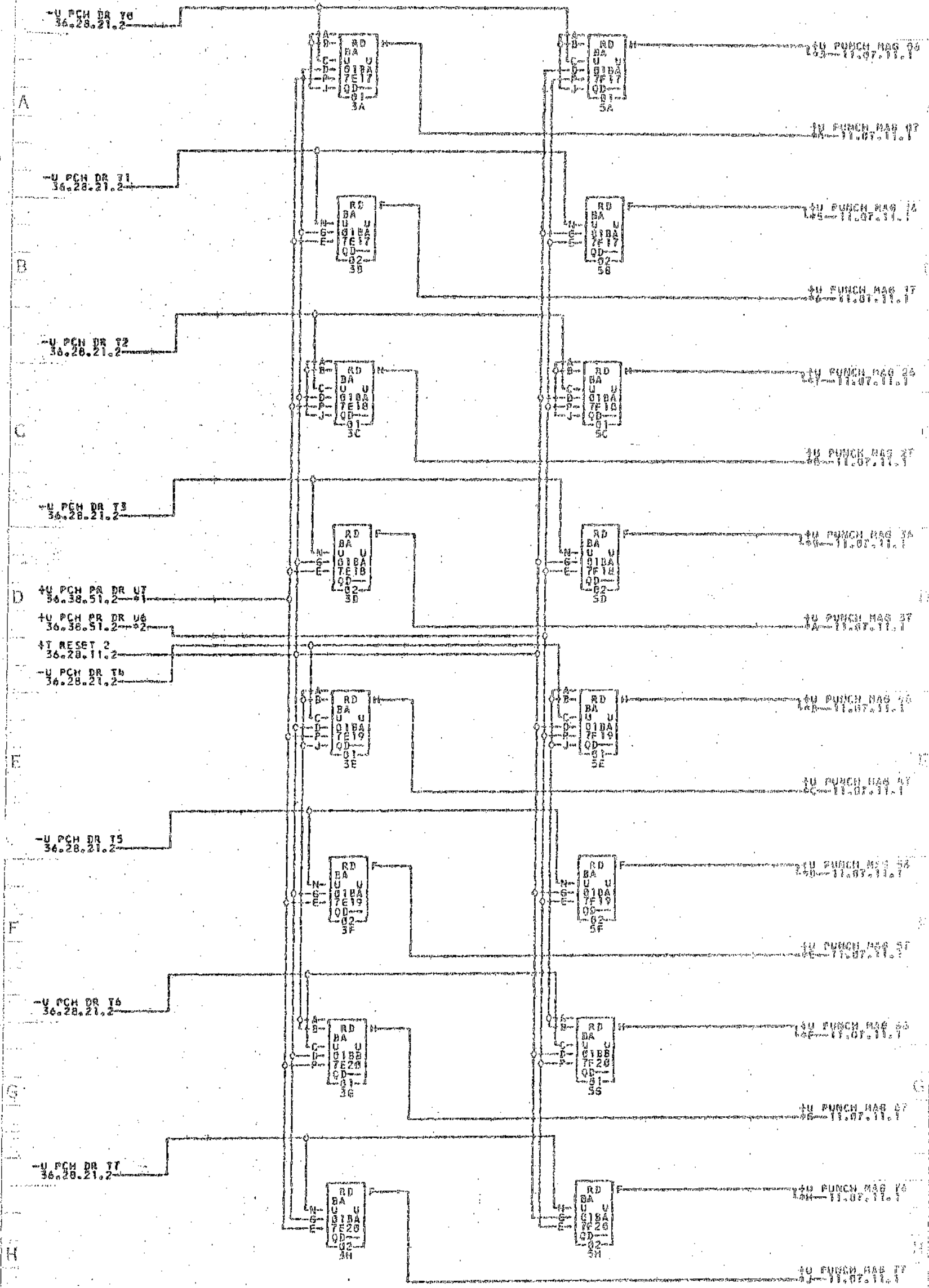
TAG	DATE	E.C.NO.	TAG	DATE	E.C.NO.	TAG	DATE	E.C.NO.	TAG	DATE	E.C.NO.
A	66-12-61	1103283	B	67-27-61	1103240	C	64-29-63	114066			

0725203

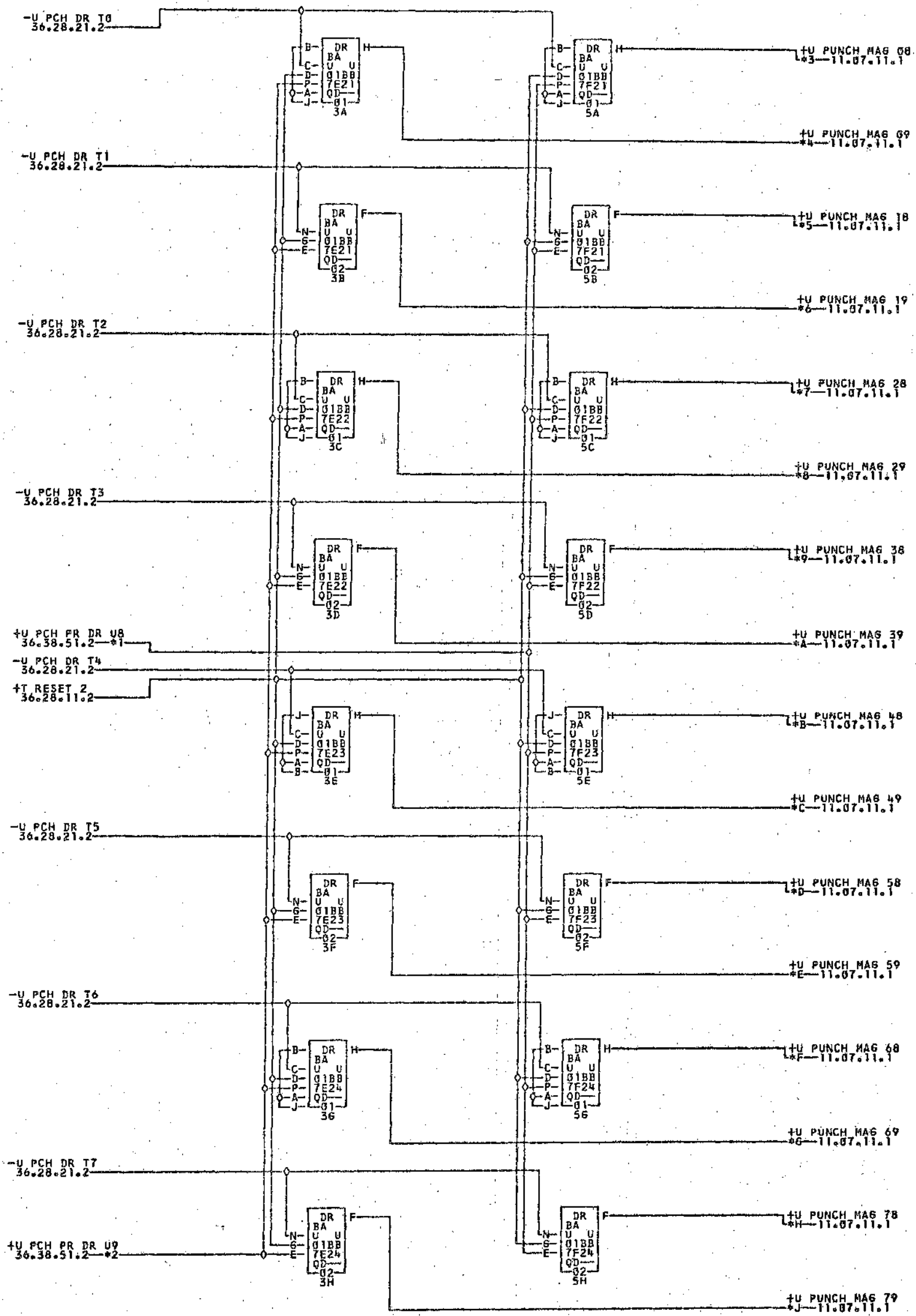
PUNCH MATHS 5-7

1601 BA

30.29.01.2



- *1--01B7C2M
- *2--01B7C2S
- *3--01B7C01C
- *4--01B7E01G
- *5--01B7E01R
- *6--01B7E02A
- *7--01B7E02R
- *8--01B7E02L
- *9--01B7E01D
- *A--01B7E01G
- *B--01B7E01P
- *C--01B7E010
- *D--01B7F02H
- *E--01B7F02J
- *F--01B7F03B
- *G--01B7F03C
- *H--01B7F03M
- *I--01B7F03N



*1-01B7C02J
 *7-01B7E02M
 *D-01B7F02K

*2-0137C02K
 *8-01B7E02N
 *E-01B7F02L

*3-01B7E01H
 *9-01B7F01F
 *F-01B7F03D

*4-01B7E01J
 *A-01B7F01G
 *6-01B7F03E

*5-01B7E02B
 *B-01B7F01A
 *H-01B7F03P

*6-01B7E02C
 *C-01B7F02A
 *J-01B7F03Q

COMMENTS

TAG	DATE	E.C.NO.	TAG	DATE	E.C.NO.	TAG	DATE	E.C.NO.	TAG	DATE	E.C.NO.
A	06-12-61	1103283	B	04-29-63	114066						

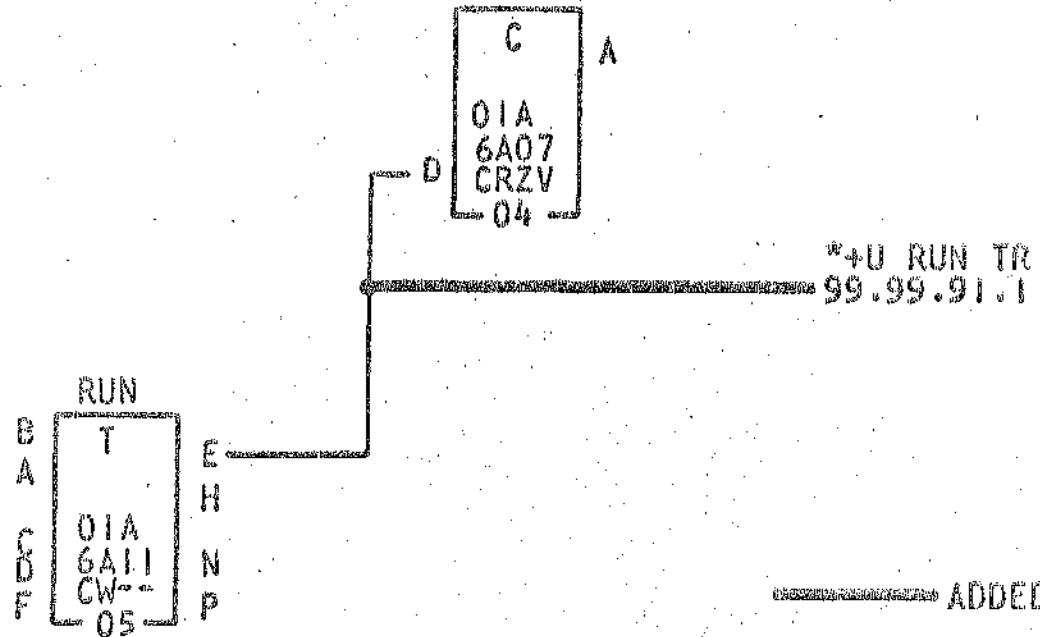
IBM INSTALLATION INSTRUCTIONS

NO. 486444

SHEET 37

REFERENCE Drawing		NAME	
-------------------	--	------	--

8.19 ALTER LOGIC 36.31.11.2, GATE 01A6, AS FOLLOWS, FOR ALL MACHINES.

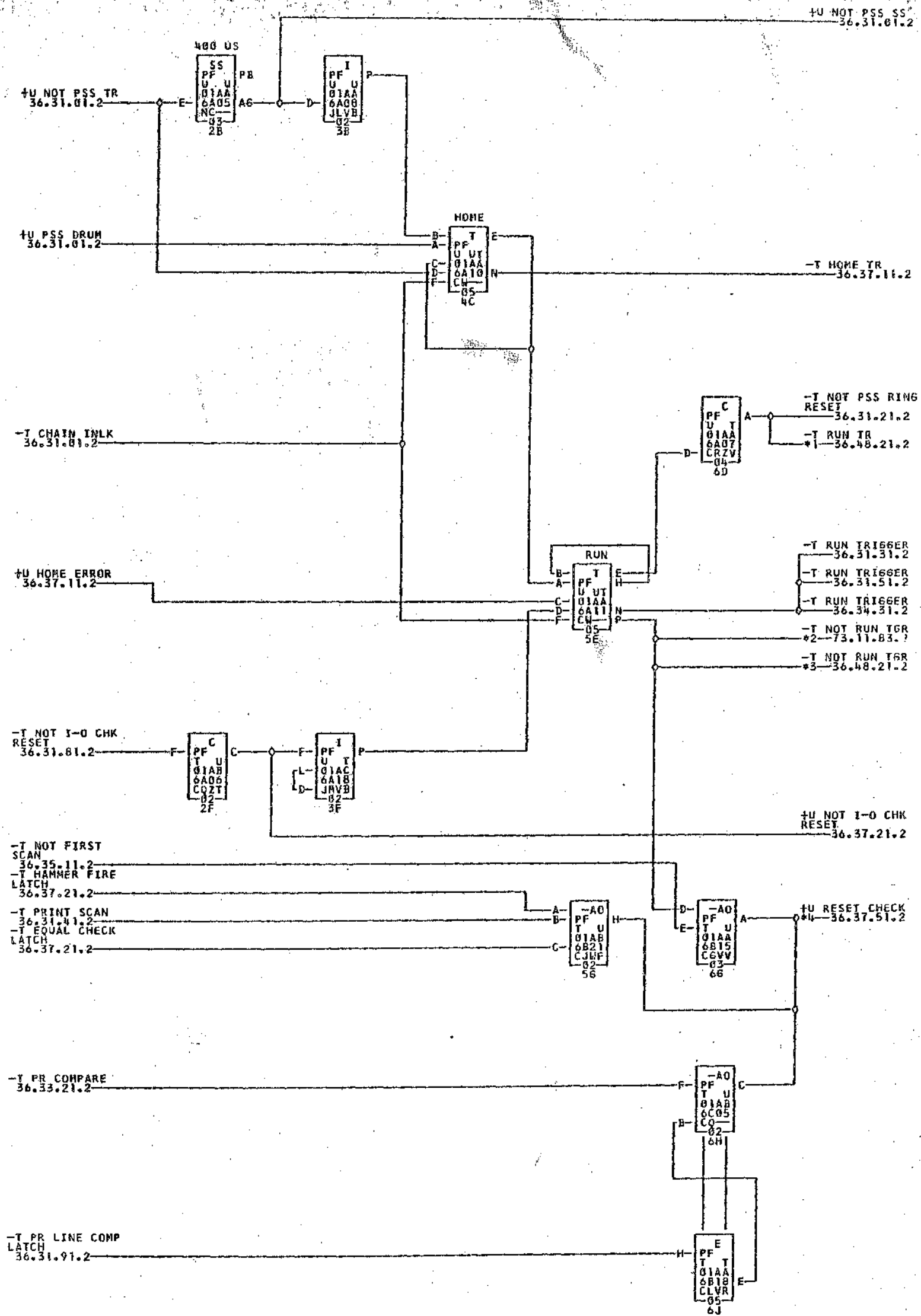


SIGNALS PRECEDED BY AN ASTERISK INDICATE DIRECT CABLE EXPANSION

----- ADDED

----- EXISTING

ENG. CHANGES	DATE	9-26-63	10-8-63						DATE TYPED
NO.	118320	118320F	118320G						



*1--01A6D24N *2--01A6F25E *3--01A6D24L *4--01A6B250

COMMENTS

TAG DATE	E.C.NO.	TAG DATE	E.C.NO.	TAG DATE	E.C.NO.	TAG DATE	E.C.NO.
A 06-12-61	1101200	B 08-15-61	110324N	C 09-11-61	110324U	D 06-06-62	114033

A

A

B

B

C

C

D

D

E

E

F

F

G

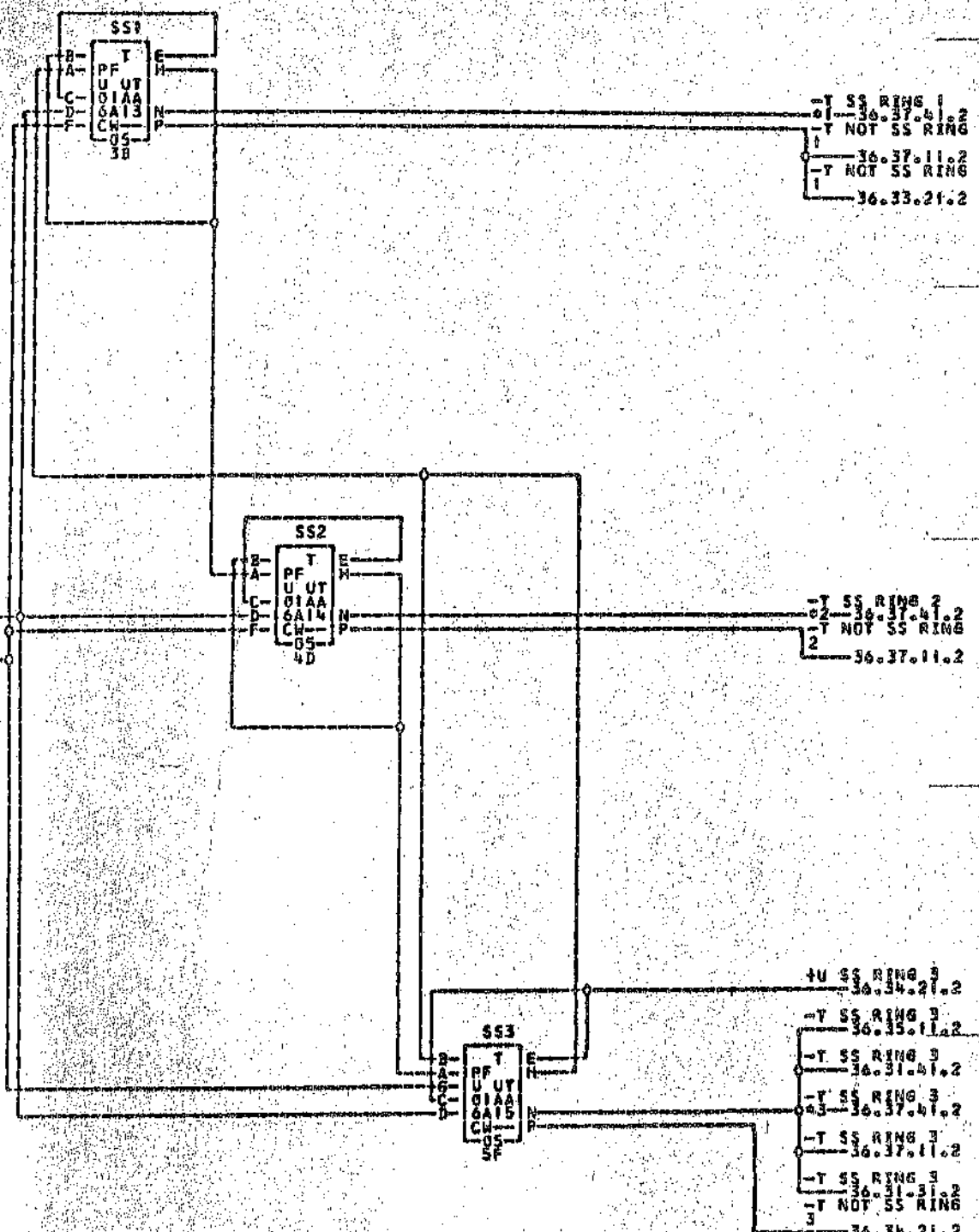
G

H

H

J

J



4U NOT PSS TR
 36.31.07.2
 -T NOT PSS RING
 RESET
 36.31.11.2

-T SS RING 1
 01-36.37.41.2
 -T NOT SS RING
 1
 36.37.11.2
 -T NOT SS RING
 1
 36.33.21.2

-T SS RING 2
 02-36.37.41.2
 -T NOT SS RING
 2
 36.37.11.2

4U SS RING 3
 36.34.21.2
 -T SS RING 3
 36.35.11.2
 -T SS RING 3
 01-36.31.41.2
 -T SS RING 3
 03-36.37.41.2
 -T SS RING 3
 36.37.11.2
 -T SS RING 3
 36.31.31.2
 -T NOT SS RING
 3
 36.34.21.2

*1--01A6B25A *2--01A6B25B *3--01A6B25C

COMMENTS

TAG DATE E.C.NO. TAG DATE E.C.NO. TAG DATE E.C.NO. TAG DATE E.C.NO.
 A 06-12-61 103200

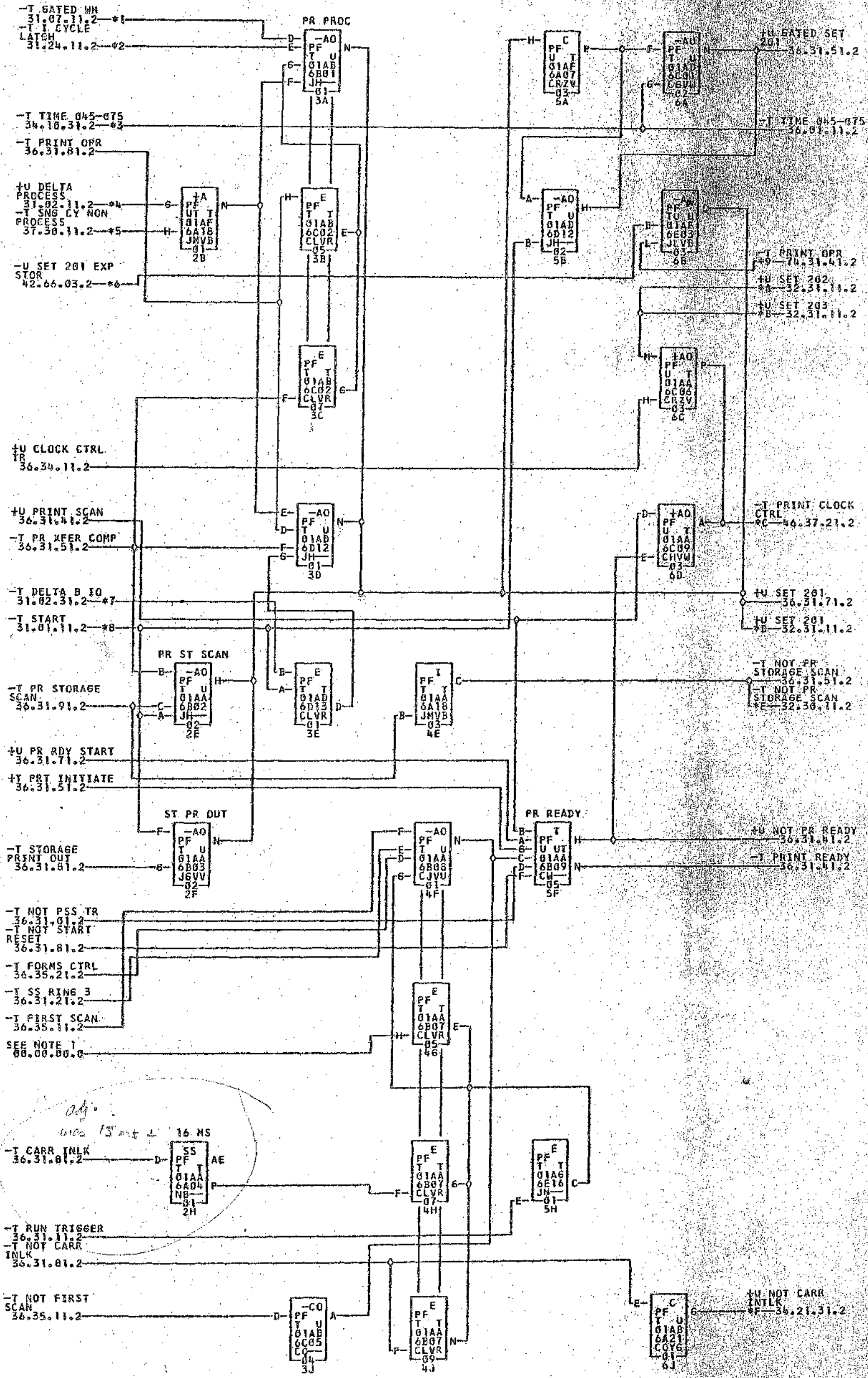
IBM INSTALLATION INSTRUCTIONS

NO. 486444

NAME		SHEET OF
		38

REFERENCE Drawing	Fig.	Ch. Col.																			
			8.20 ALTER LOGIC 36.31.31.2, GATE 01A6, AS FOLLOWS:																		
			<div style="text-align: center;"> <p>PR READY</p> <table border="1"> <tr> <td>B</td> <td>T</td> <td>E</td> </tr> <tr> <td>A</td> <td></td> <td>H</td> </tr> <tr> <td>G</td> <td>01A</td> <td>N</td> </tr> <tr> <td>C</td> <td>6B09</td> <td></td> </tr> <tr> <td>D</td> <td>CW--</td> <td>P</td> </tr> <tr> <td>F</td> <td>05</td> <td></td> </tr> </table> </div> <div style="text-align: right; margin-top: 20px;"> <p>*-NOT PRINT READY 99.99.91.1</p> </div> <div style="text-align: center; margin-top: 20px;"> <p>----- ADDED ----- EXISTING</p> </div> <div style="text-align: center; margin-top: 20px;"> <p>SIGNALS PRECEDED BY AN ASTERISK INDICATE DIRECT CABLE EXPANSION</p> </div>	B	T	E	A		H	G	01A	N	C	6B09		D	CW--	P	F	05	
B	T	E																			
A		H																			
G	01A	N																			
C	6B09																				
D	CW--	P																			
F	05																				

ENG. CHANGE	DATE	9-26-63	10-8-63					DATE TYPED
NO.	118320	118320F	118320G					



- *1-01A6C25F
- *2-01A6E266
- *3-01A6F25B
- *4-01A6E26E
- *5-01A6D26E
- *6-01A6E24H
- *7-01A6D24M
- *8-01A6E26B
- *9-01A6F23F
- *A-01A6C26D
- *B-01A6C26F
- *C-01A6C24C
- *D-01A6C26C
- *E-01A6C26F
- *F-01A6F25M

NOTE 1 JUMPER A18N TO B07H FOR TROUBLE SHOOTING. WILL ALLOW PRINTING TO BEGIN ONLY AT HOME TIME.

COMMENTS

TAG	DATE	F.C. NO.	TAG	DATE	F.C. NO.	TAG	DATE	F.C. NO.	TAG	DATE	F.C. NO.
A	06-12-61	119328U	B	08-15-61	119324N	C	09-01-61	119325S	D	09-25-61	112229
E	10-23-61	112248	F	12-01-61	113422	G	06-08-62	114033			

IBM INSTALLATION INSTRUCTIONS

no. 486444

SHEET 39 OF 39

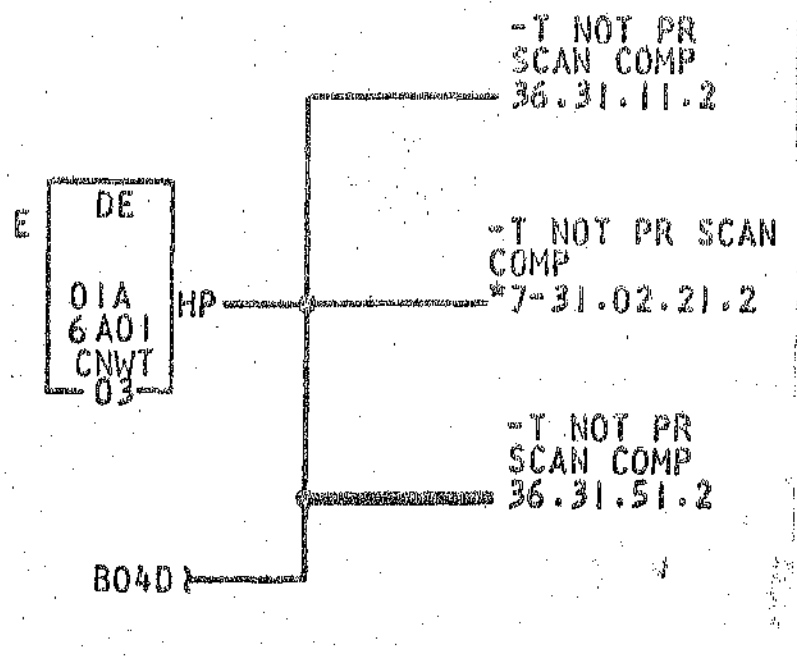
REFERENCE Drawing: Fig. Clk. Col. 8.21 ALTER LOGIC 36.31.41.2, GATE 01A6, FOR THE FOLLOWING MACHINES, AS FOLLOWS:

ENGINEERING CHANGE

109501M
110421
110320B
113530

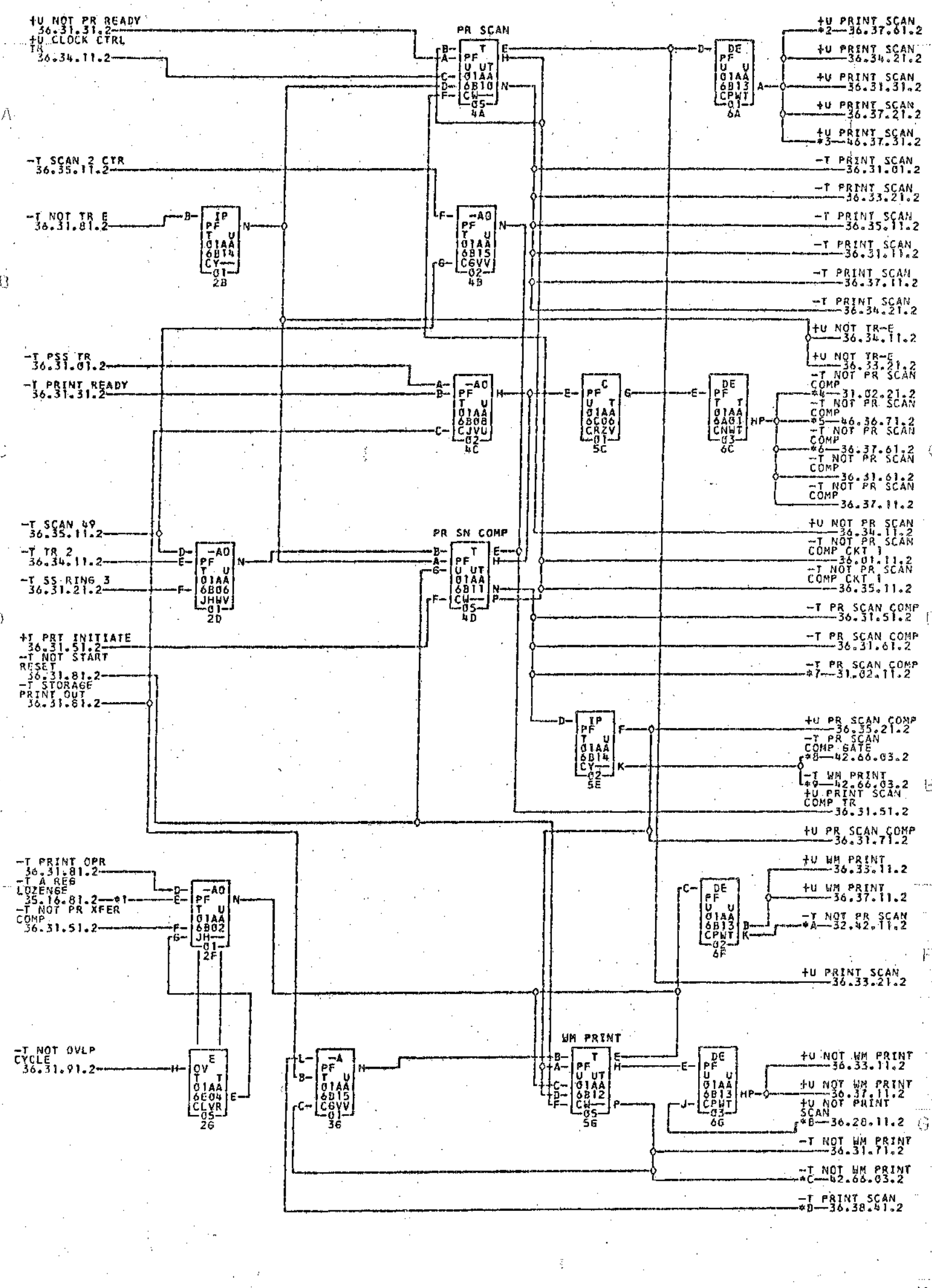
LOGIC

36.01.11.2
36.01.11.2
31.31.31.2
31.31.31.2



————— EXISTING
 ===== ADDED

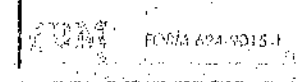
ENG. CHANGE NO.	DATE	9-25-63	10-8-63						DATE TYPED
118320	118320F	118320G							



- *1-01A6B26R
- *2-01A6B2SE
- *3-01A6C24F
- *4-01A6E26R
- *5-01A6C24A
- *6-01A6B25K
- *7-01A6E260
- *8-01A6E24B
- *9-06D7A14B
- *10-01A6E24C
- *11-06B7A14C
- *12-01A7D25M
- *13-01A7A25H
- *14-01A6C25H
- *15-01A6D25L
- *16-06B7A14D
- *17-01A6E24D
- *18-06B7A14D
- *19-01A6B25J

COMMENTS TAG DATE E.C.NO. TAG DATE E.C.NO. TAG DATE E.C.NO. TAG DATE E.C.NO.

A 06-12-61 1103200 B 08-15-61 110324N C 10-25-61 112248



IBM INSTALLATION INSTRUCTIONS

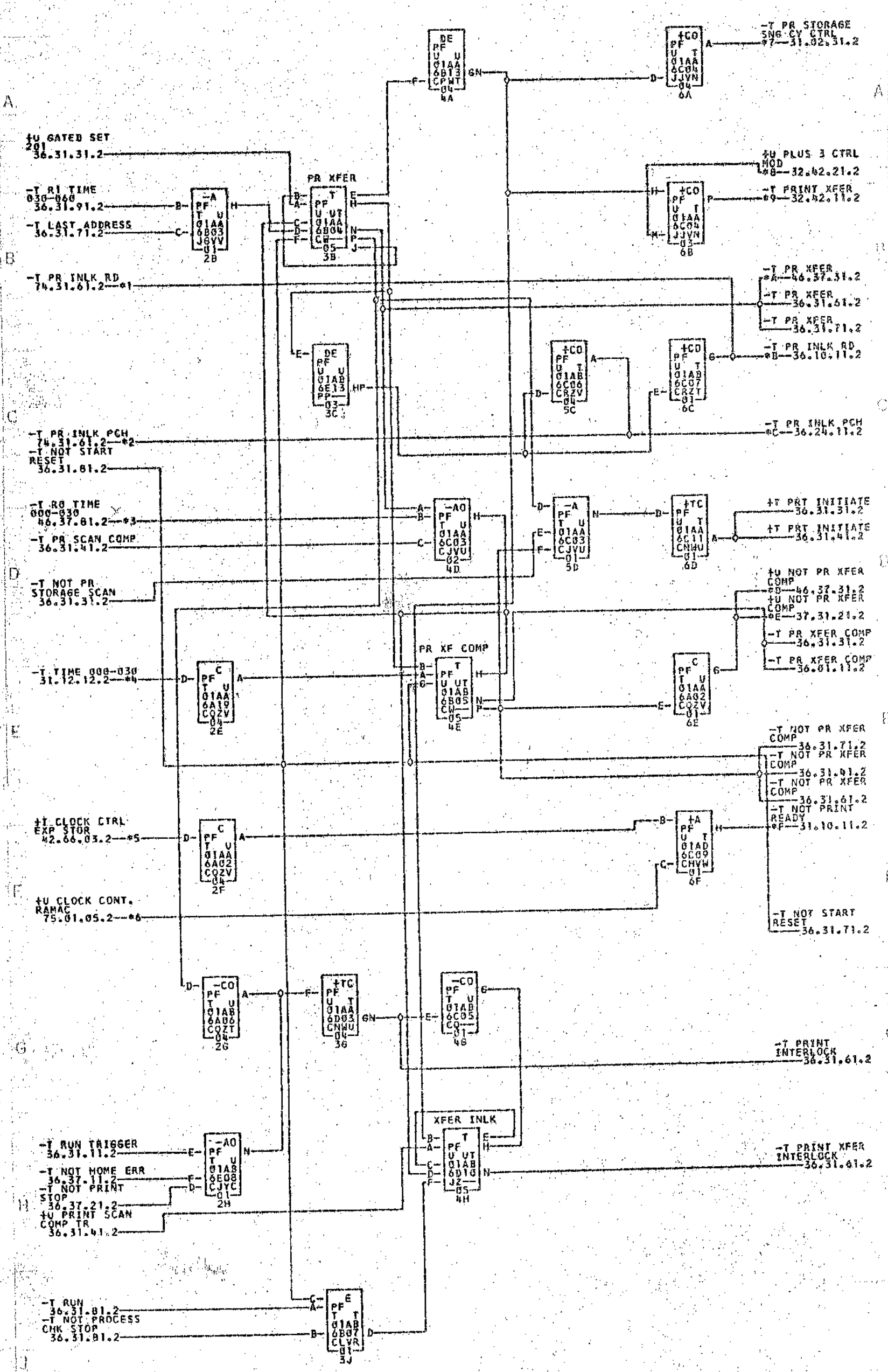
NO. 486444

NAME

SHEET 43 OF

REFERENCE Drawing	Fig.	Ch. Cat.	8.25	ALTER LOGIC 36.31.51.2, GATE 01A6, FOR THE FOLLOWING MACHINES, AS FOLLOWS								
				<table border="0"> <tr> <td style="text-align: center;"><u>ENGINEERING CHANGE</u></td> <td style="text-align: center;"><u>LOGIC</u></td> </tr> <tr> <td style="text-align: center;">110421</td> <td style="text-align: center;">36.01.11.2</td> </tr> <tr> <td style="text-align: center;">110320B</td> <td style="text-align: center;">31.31.31.2</td> </tr> <tr> <td style="text-align: center;">113530</td> <td style="text-align: center;">31.31.31.2</td> </tr> </table>	<u>ENGINEERING CHANGE</u>	<u>LOGIC</u>	110421	36.01.11.2	110320B	31.31.31.2	113530	31.31.31.2
<u>ENGINEERING CHANGE</u>	<u>LOGIC</u>											
110421	36.01.11.2											
110320B	31.31.31.2											
113530	31.31.31.2											
				<table border="0"> <tr> <td style="vertical-align: top;"> -U PROCESS M 1403-1404 99.99.91.1 </td> <td style="vertical-align: top;"> * -U PROCESS M 1403-1404 *7-21.04.11.2 </td> </tr> </table>	-U PROCESS M 1403-1404 99.99.91.1	* -U PROCESS M 1403-1404 *7-21.04.11.2						
-U PROCESS M 1403-1404 99.99.91.1	* -U PROCESS M 1403-1404 *7-21.04.11.2											
				<table border="0"> <tr> <td style="vertical-align: top;"> -T NOT PR SCAN COMP 36.31.41.2 </td> <td style="text-align: center; vertical-align: middle;"> F C NPF T U 01A 6C22 CO-- 02 </td> <td style="vertical-align: top;"> +U NOT PR SCAN COMP *6-21.04.11.2 </td> </tr> </table>	-T NOT PR SCAN COMP 36.31.41.2	F C NPF T U 01A 6C22 CO-- 02	+U NOT PR SCAN COMP *6-21.04.11.2					
-T NOT PR SCAN COMP 36.31.41.2	F C NPF T U 01A 6C22 CO-- 02	+U NOT PR SCAN COMP *6-21.04.11.2										
				<p>----- ADDED</p> <p>SIGNALS PRECEDED BY AN ASTERISK INDICATE DIRECT CABLE EXPANSION</p> <p>*6--01A6F24B *7--01A6F24C</p>								

ENG. CHANGE	DATE NO.	9-26-63	10-8-63					DATE TYPED
	118320	118320F	118320G					



- *1--01A6F23I
- *2--01A6F23E
- *3--01A6A25A
- *4--01A6A25F
- *5--01A6E24K
- *6--06B7A14K
- *6--01A6D24K
- *7--01A6E26H
- *8--01A7D25E
- *8--01A6C26H
- *9--01A6C26E
- *9--01A7A25P
- *A--01A6C26D
- *A--01A6A25N
- *B--01A6F26C
- *B--01A6F26D
- *C--01A6F26D
- *C--01A5D25N
- *D--01A6C24J
- *E--01A6D26N
- *F--01A6A25N
- *G--01B1E03K
- *H--01A7A25P
- *I--01A6C26D
- *J--01A6A25N
- *K--02A0F11A
- *L--01A6C26E
- *M--01A6F26D
- *N--01B3B02N

-T PRINT XFER
INTERLOCK
36.31.51.2

-T PR SCAN COMP
36.31.61.2

-T TIME 045-060
31.12.31.2
-T NOT PROCESS
CHK STOP
36.31.81.2

-T RUN
36.31.81.2

-T NOT OVLFP
CYCLE
36.31.91.2
-T NOT OVLFP
INTERLOCK
74.31.51.2

-T NOT CARR
INLK
36.31.81.2

-T BRANCH
34.21.41.2

-T NOT STOP
31.01.11.2

+U A REG A NOT
35.16.81.2
+U A REG 2 NOT
35.16.81.2

-T NOT PR SCAN
COMP
36.31.61.2

+U A REG B NOT
36.31.81.2
+U A REG 1 NOT
36.31.81.2

-T CARR INLK
36.31.81.2
-T PR SCAN END
EXP STOR
42.66.03.2

+U A REG NOT AB
35.16.81.2
+U A REG ON
35.16.71.2
+U A REG NOT 21
35.16.81.2

-T NOT PR XFER
COMP
36.31.51.2
-T LAST ADDRESS
36.31.71.2

+U NOT PR SCAN
COMP CKT 1
36.81.11.2
-T STORAGE
PRINT OUT
36.31.81.2

-T PRINT
INTERLOCK
36.31.51.2

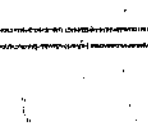
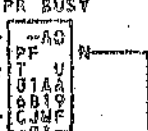
-T PR XFER
36.31.51.2

+U BLOCK D P
TURN ON OVLFP
74.21.41.2

PR NOT BUS



+U DELTA P ON
31.02.11.2



#1---01A6A25Q
#2---01A6F23M
#3---01A6C23K
#4---01A6C23E
#5---02A9A09P

#6---01A6F23M
#7---01A6B26L
#8---01A6F23P
#9---02B1E02C

#10---02A9A19F
#11---01A6E24E
#12---01A6E24C
#13---01A6D25J

#14---02B1E02H
#15---02B7A14E
#16---01A6E24P
#17---01B1E03J

#18---01A6F25A
#19---01A6B26P
#20---01B2B01F
#21---01B1D019

#22---01A6F250
#23---01A6B26N
#24---01A6F23G
#25---01B2C02G

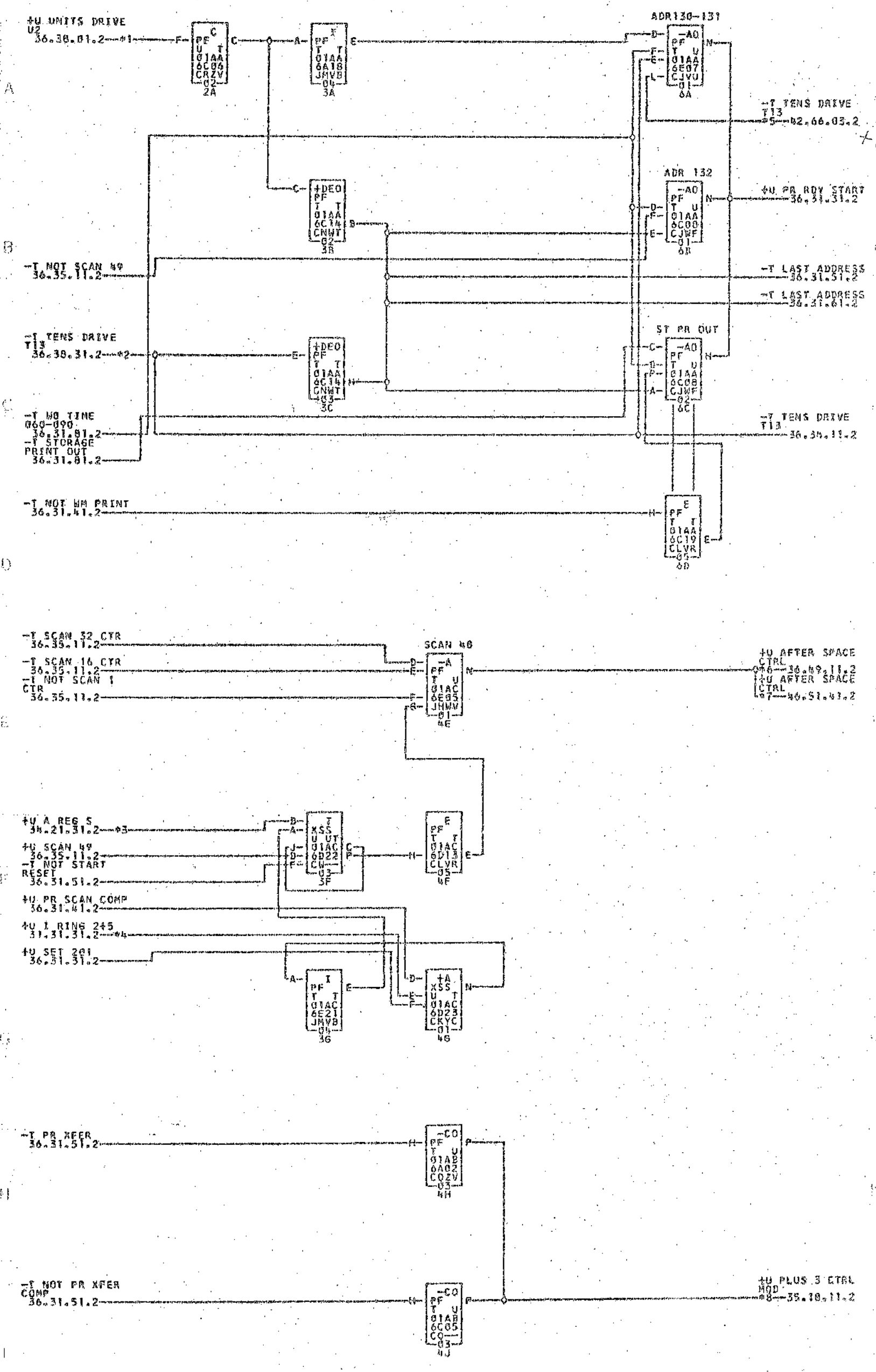
COMMENTS

TAG DATE F.C. NO.
A 06-12-61 1183240
E 12-01-61 1183240

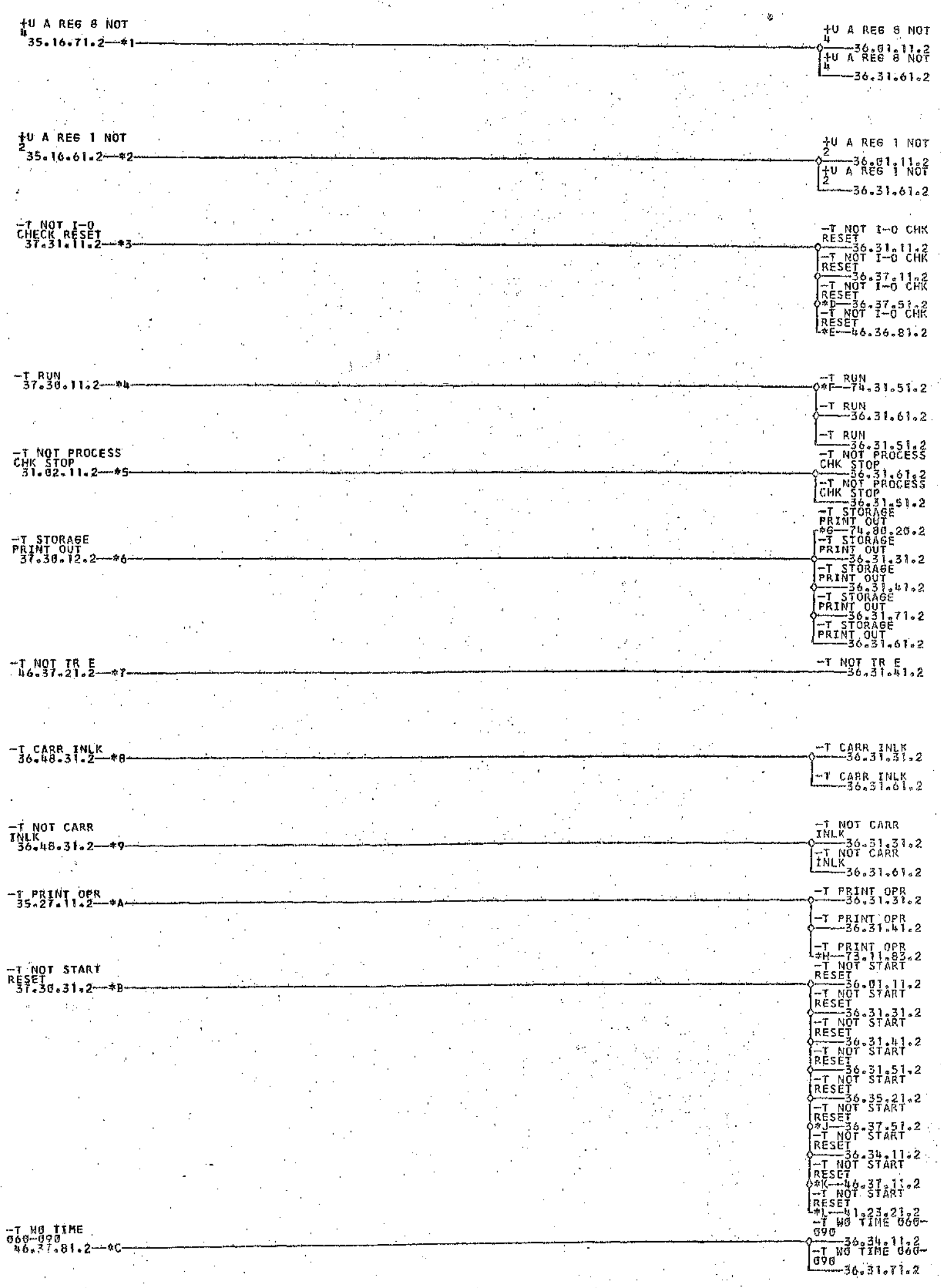
TAG DATE F.C. NO.
B 06-12-61 1183240
F 12-01-61 1183240

TAG DATE F.C. NO.
C 09-01-61 1183245
G 09-11-61 1183240

TAG DATE F.C. NO.
D 09-11-61 1183240



- #1-01A6H25L #2-01A6H25M #3-01A6F25M #4-01A6R25P #5-01A6E25A #6-01A6A14A
- #6-01A6H24A #7-01A6D25A #8-01B1R25A #9-01B1D25N #10-01A6B25M #11-01A6A24R
- #12-01A1B25R #13-01A1F25R #14-01A3A25R



- *1-01A6B26M
- *2-01A6B26K
- *3-01A6D26A
- *4-01A6D26D
- *5-01A6E26D
- *6-01A6D26F
- *7-01A6A25D
- *8-01A6D24B
- *9-01A6D24C
- *A-01A6D24D
- *B-01A6D26C
- *C-01A6A25B
- *D-01A6B25F
- *E-01A6C24E
- *F-01A6E23K
- *G-02A9A15F
- *H-01A6B25E
- *I-01A6C24B
- *J-01A6D25F
- *K-01A6C24B
- *L-01A6D25F
- *M-01B7A02F
- *N-01A6C24Q

+U 1 LATCH
46.10.21.2 *1

+U 1 LATCH
36.33.11.2
+U 1 LATCH
36.37.11.2

+U 2 LATCH
46.10.21.2 *2

+U 2 LATCH
36.33.11.2
+U 2 LATCH
36.37.11.2

-T PR STORAGE
SCAN
37.31.11.2 *3

-T PR STORAGE
SCAN
36.31.31.2
-T PR STORAGE
SCAN
36.37.21.2
-T PR STORAGE
SCAN
36.36.31.2

-T I-O CHECK
STOP SW ON
37.30.31.2 *4

-T I-O CHECK
STOP SW ON
36.74.31.41.2
-T I-O CHECK
STOP SW ON
36.37.21.2
-T I-O CHECK
STOP SW ON
36.31.83.2

-T TR E
46.37.21.2 *5

-T TR E
36.31.01.2
-T TR E
36.34.11.2
-T TR E
36.33.21.2

-T PR ERR CHECK
LATCH
46.10.41.2 *6

-T PR ERR CHECK
LATCH
36.37.11.2
-T PR ERR CHECK
LATCH
36.37.21.2

+U PR START KEY
21.04.11.2 *7
+U START KEY RP
N-O
11.03.11.1 *8

+U START KEY RP
N-O
31.01.11.2
+U PR START KEY
31.01.11.2
+U PR START KEY
36.35.21.2

-T RI TIME
030-060
46.37.01.2 *9

-T RI TIME
030-060
36.37.41.2
-T RI TIME
030-060
36.51.51.2

-T PR LINE COMP
LATCH
46.10.41.2 *A

-T PR LINE COMP
LATCH
36.31.11.2
-T PR LINE COMP
LATCH
36.37.11.2

-T NOT OVLP
CYCLE
76.31.21.2 *B

-T NOT OVLP
CYCLE
36.31.01.2
-T NOT OVLP
CYCLE
36.31.01.2

*1-01A6B24A
*7-01A6A26G
*2B1E02J
*1B6C03J

*2-01A6B24B
*8-01A6F26B
*C-01A6C246
*F-01A6E26M

*3-01A6D24M
*9-01A6A25M
*D-01A6F23J
*H-01A6B25R

*4-01A6D26K
*A-01A6B24N
*2A9A13F

*5-01A6A25E
*B-01A6F23N
*2B1E02E

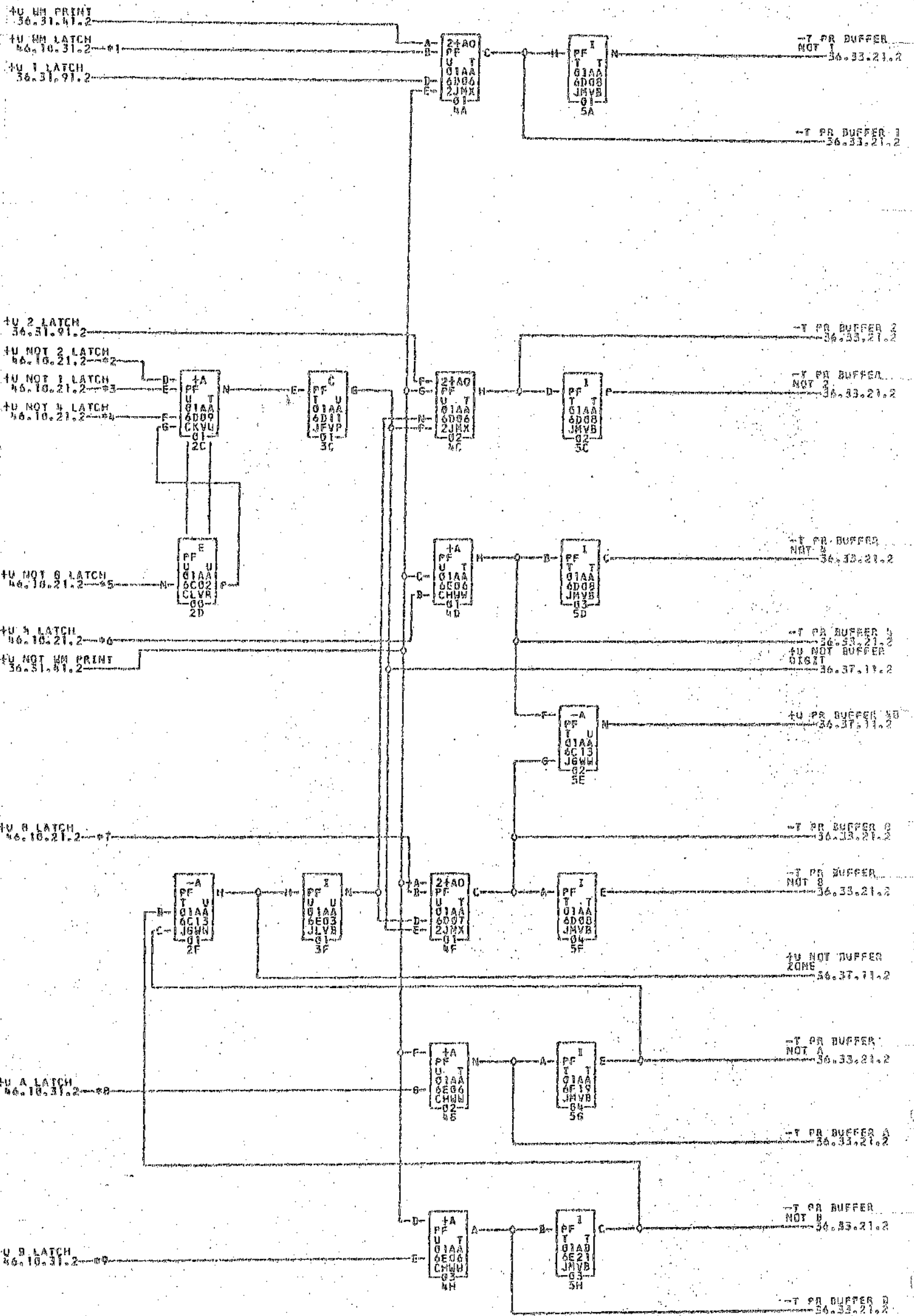
*6-01A6B24H
*2A9A016
*E-01A6F25J

COMMENTS

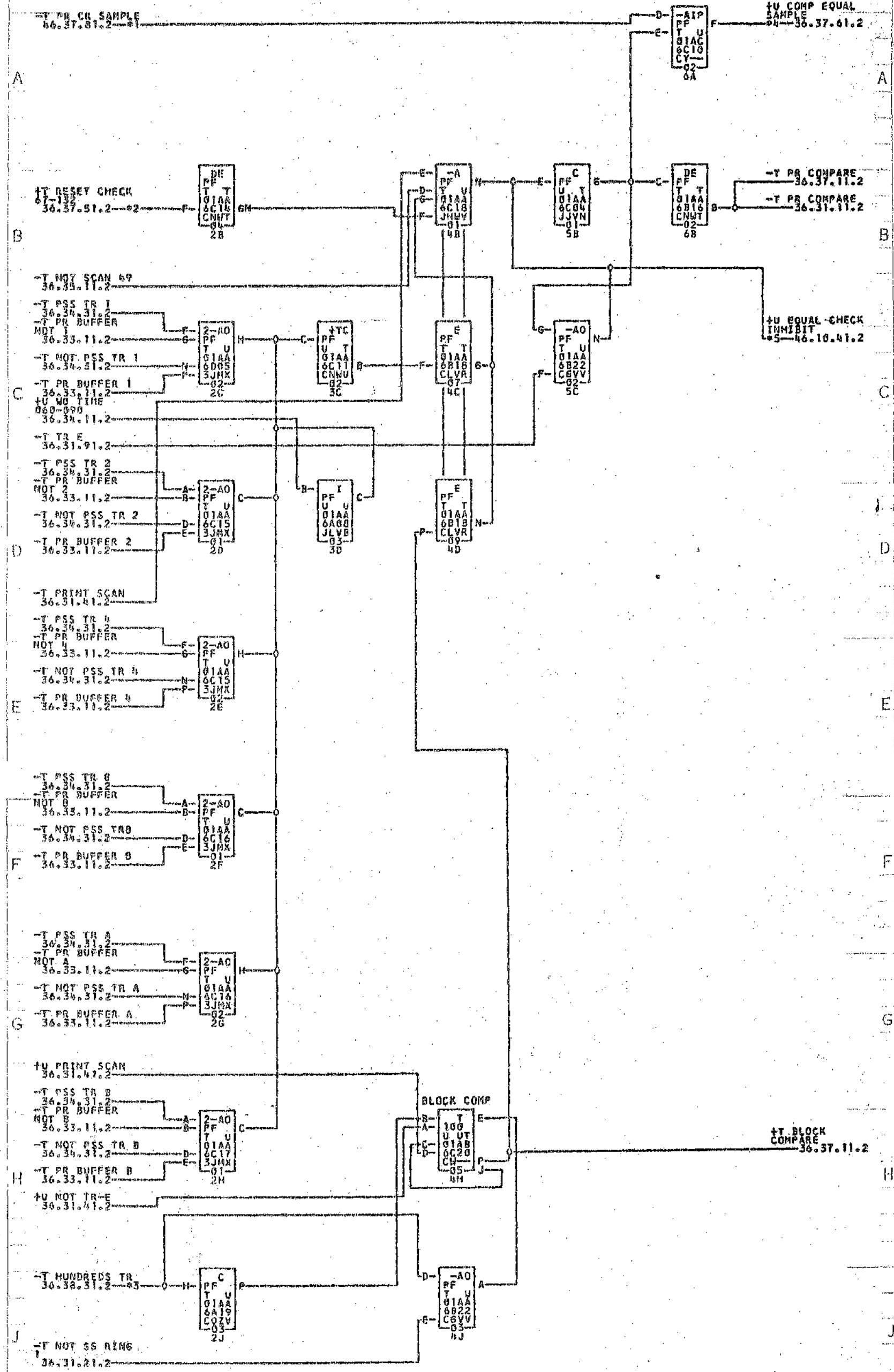
TAG DATE E.C.NO. TAG DATE E.C.NO. TAG DATE E.C.NO. TAG DATE E.C.NO.

A 06-12-61 1183200

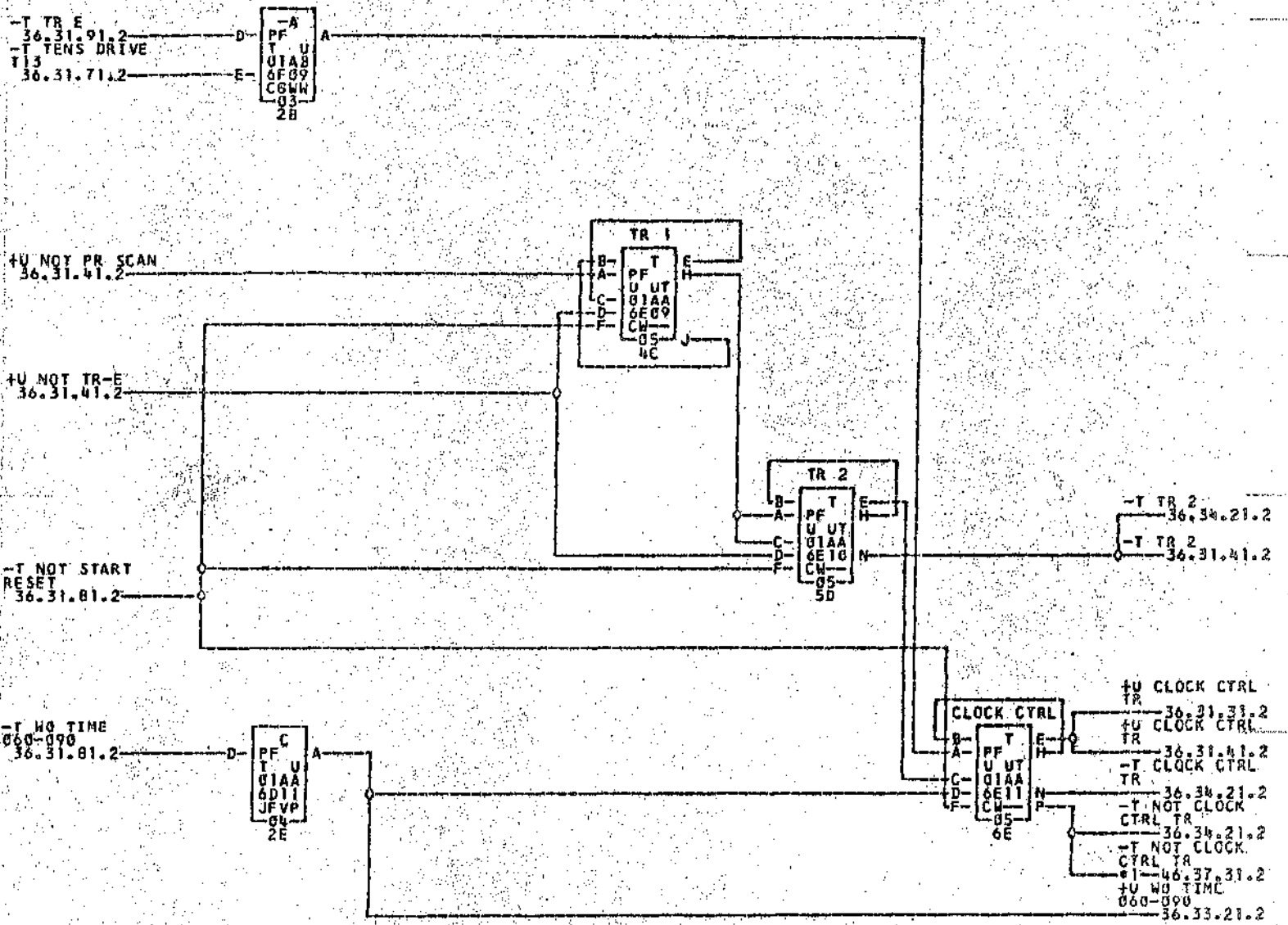
B 08-15-61 118324N



- *1--01A6B24G
- *2--01A6B24J
- *3--01A6B24H
- *4--01A6B24K
- *5--01A6B24L
- *6--01A6B24C
- *7--01A6B24D
- *8--01A6B24E
- *9--01A6B24F



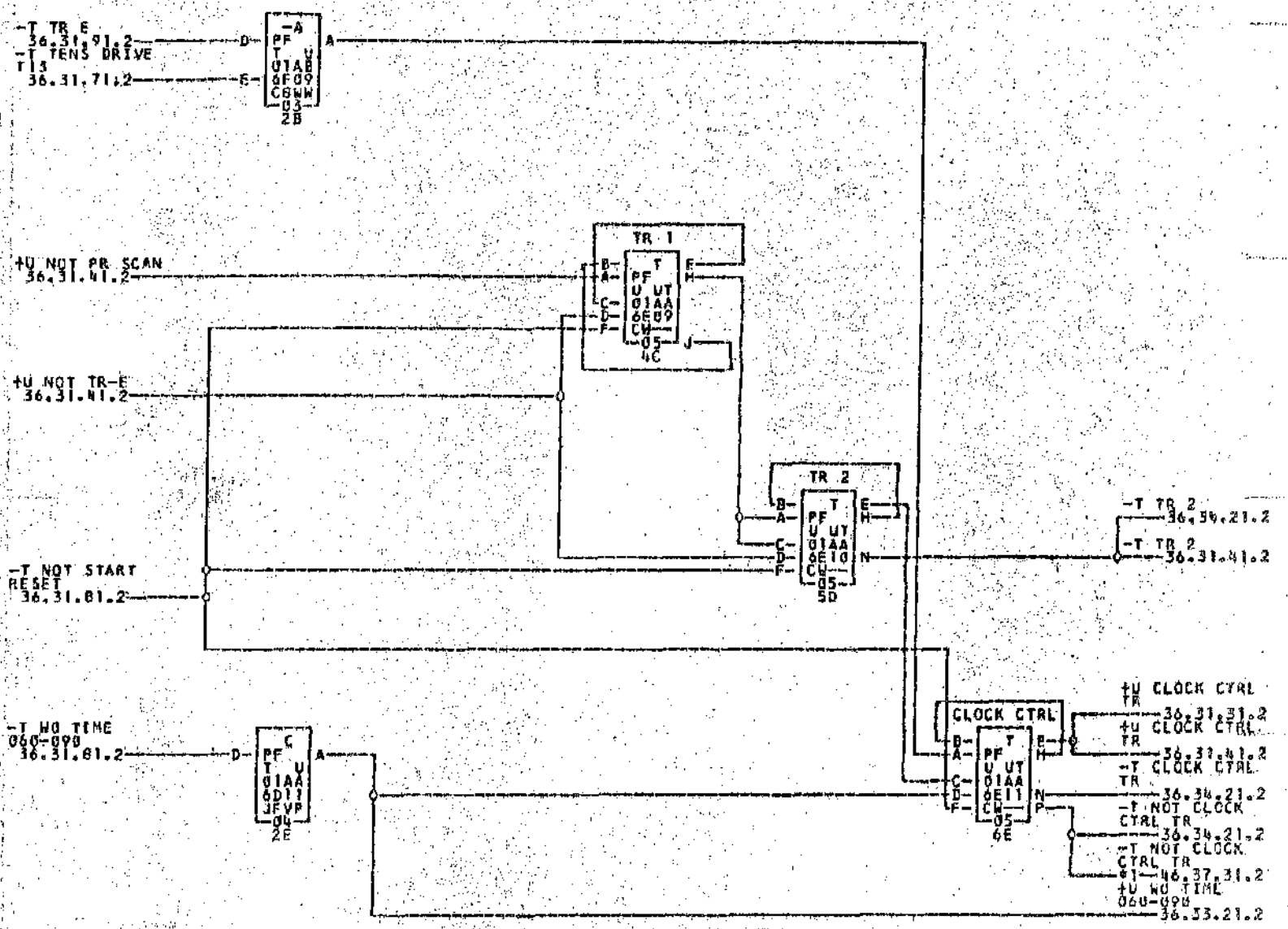
- *1--01A6A25C
- *2--01A6B25P
- *3--01A6B25M
- *4--01A6B25H
- *5--01A6B24R



*1--01A6C24K

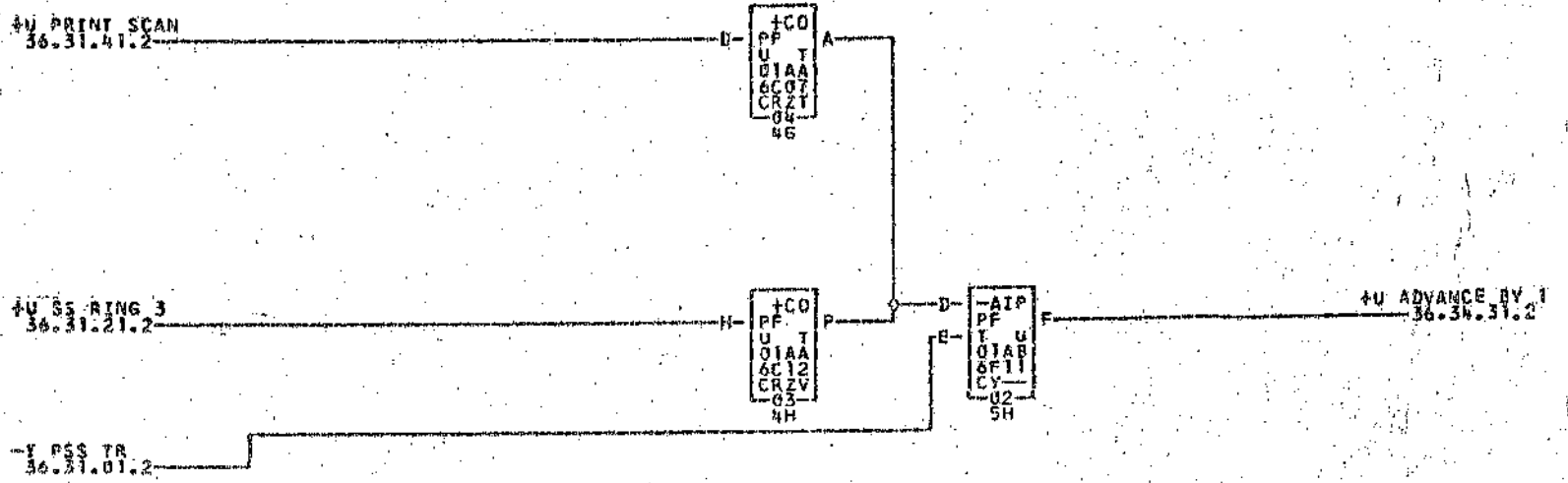
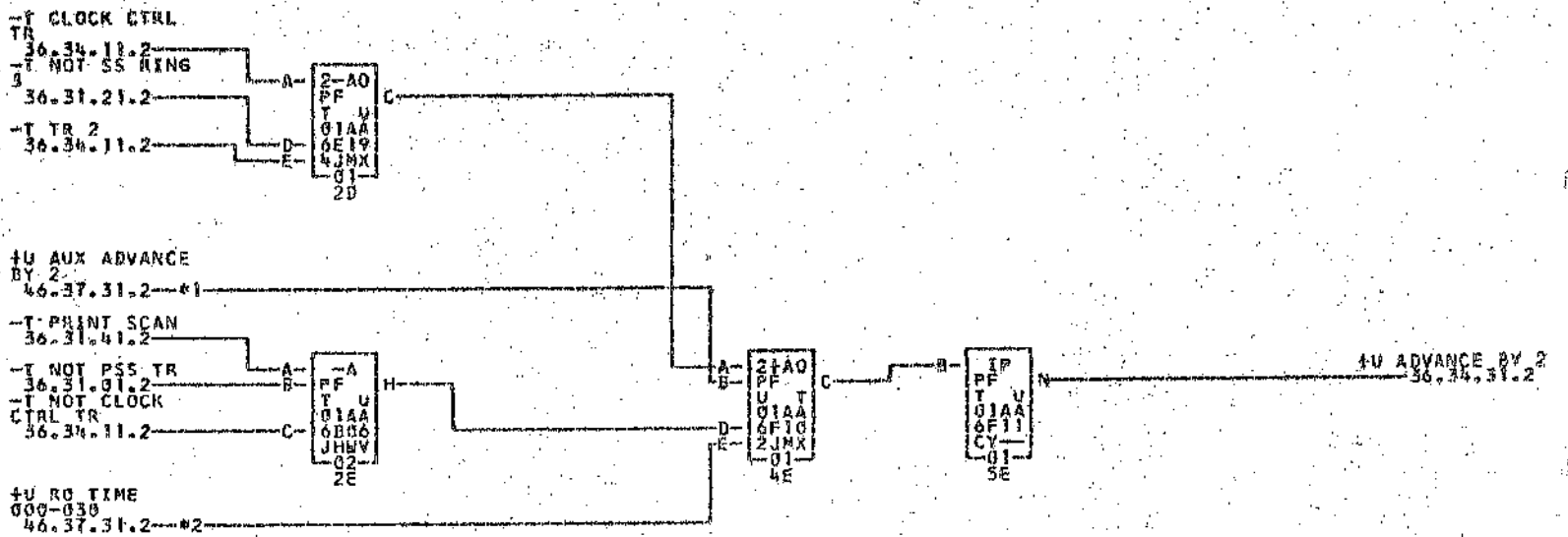
COMMENTS

TAG	DATE	E.C.NO.	TAG	DATE	E.C.NO.	TAG	DATE	E.C.NO.	TAG	DATE	E.C.NO.
A	06-12-61	110320U	B	09-15-61	110324N						



*1--01A0C24K

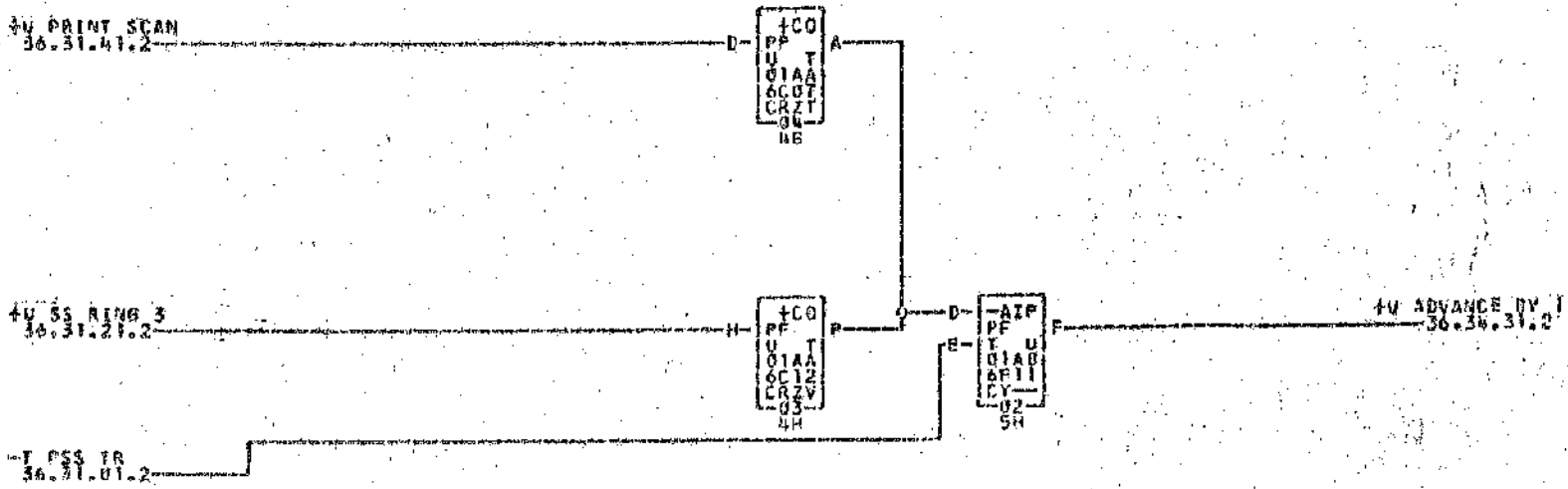
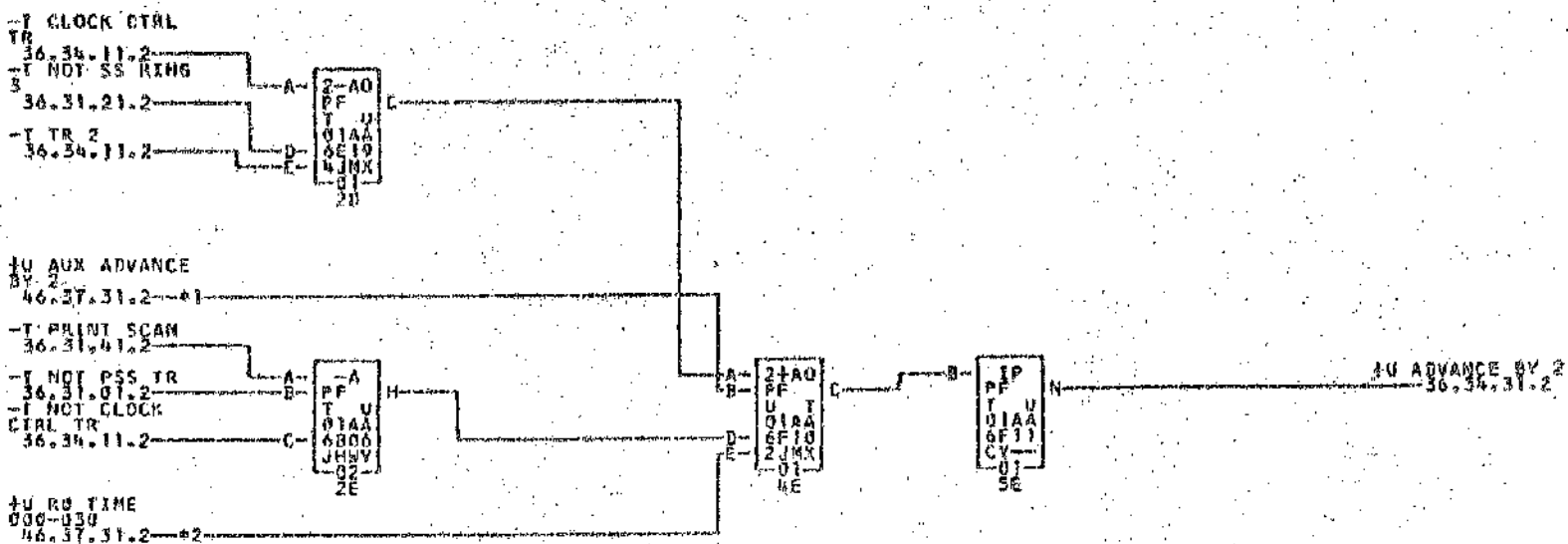
A
B
C
D
E
F
G
H
I
J



*1--01A6A25L *2--01A6A25H

COMMENTS

TAG	DATE	E.C.NO.	TAG	DATE	E.C.NO.	TAG	DATE	E.C.NO.	TAG	DATE	E.C.NO.
A	08-12-61	1105200	B	12-01-61	113422						



01--01A6A2SL 02--01A6A25H

COMMENTS

TAG DATE	E.C.NO.	TAG DATE	E.C.NO.	TAG DATE	E.C.NO.	TAG DATE	E.C.NO.
A 08-12-61	1103200	B 12-61-61	113422				

PRINT ADVANCE BY 2

A

B

C

D

E

G

H

J

A

B

C

D

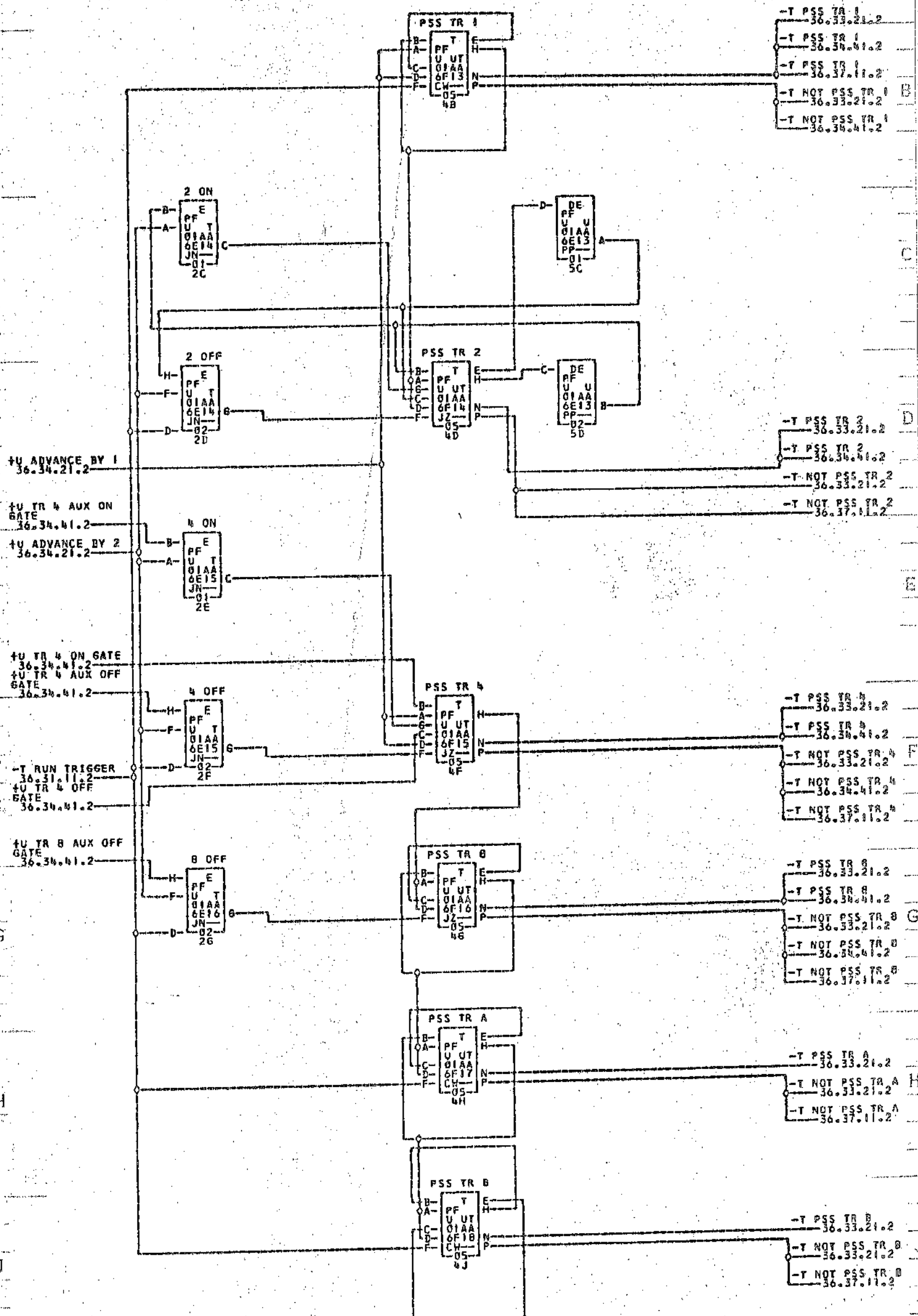
E

F

G

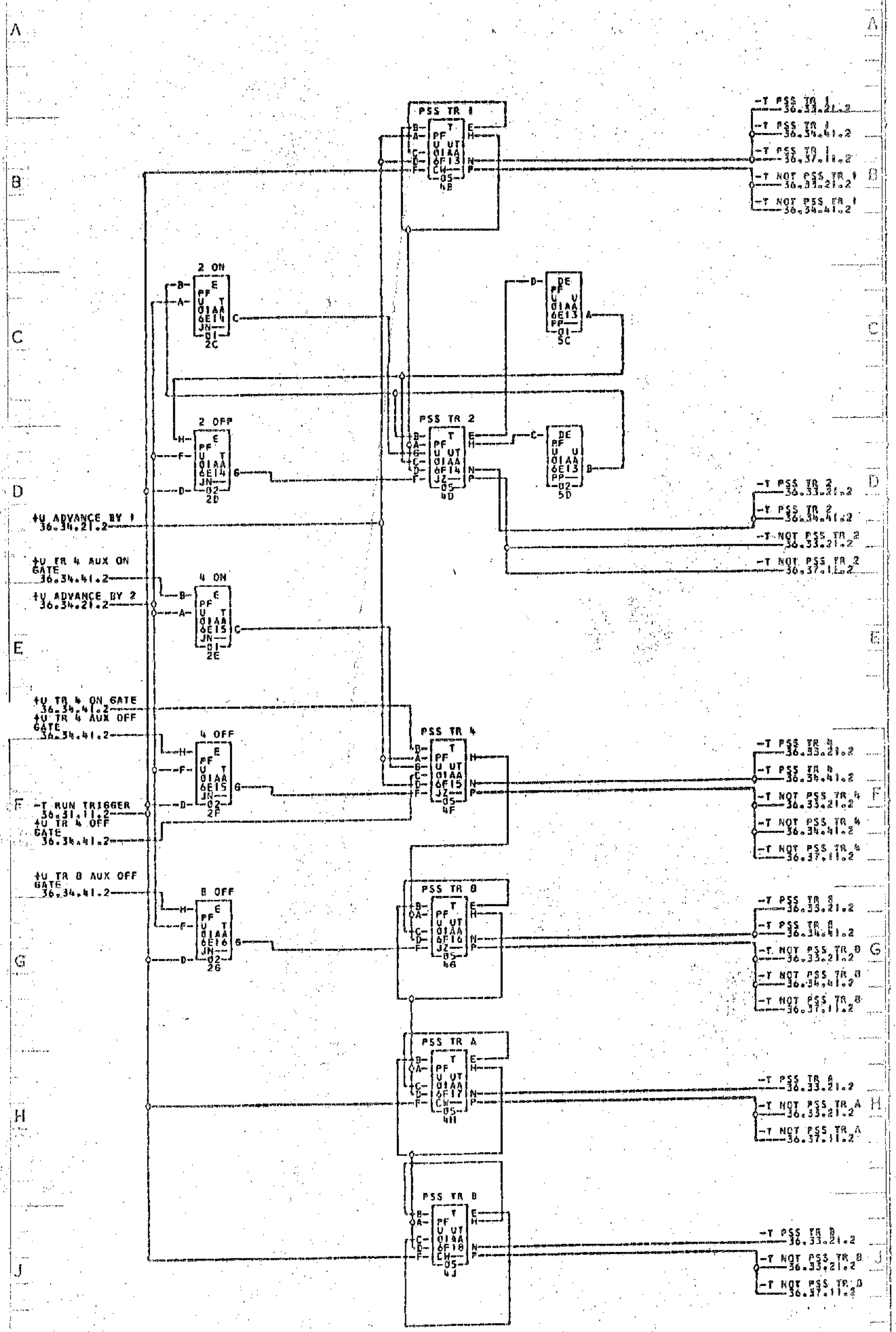
H

J



COMMENTS

TAG	DATE	E.C.NO.	TAG	DATE	E.C.NO.	TAG	DATE	E.C.NO.	TAG	DATE	E.C.NO.
A	06-12-61	1103200									



4U ADVANCE BY 1
36.34.21.2

4U TR 4 AUX ON
GATE
36.34.41.2

4U ADVANCE BY 2
36.34.21.2

4U TR 4 ON GATE
36.34.41.2

4U TR 4 AUX OFF
GATE
36.34.41.2

-T RUN TRIGGER
36.31.11.2

4U TR 4 OFF
GATE
36.34.41.2

4U TR 8 AUX OFF
GATE
36.34.41.2

-T PSS TR 1
36.33.21.2

-T PSS TR 1
36.34.41.2

-T PSS TR 1
36.37.11.2

-T NOT PSS TR 1
36.33.21.2

-T NOT PSS TR 1
36.34.41.2

-T PSS TR 2
36.33.21.2

-T PSS TR 2
36.34.41.2

-T NOT PSS TR 2
36.33.21.2

-T NOT PSS TR 2
36.37.11.2

-T PSS TR 4
36.33.21.2

-T PSS TR 4
36.34.41.2

-T NOT PSS TR 4
36.33.21.2

-T NOT PSS TR 4
36.34.41.2

-T NOT PSS TR 4
36.37.11.2

-T PSS TR 8
36.33.21.2

-T PSS TR 8
36.34.41.2

-T NOT PSS TR 8
36.33.21.2

-T NOT PSS TR 8
36.37.11.2

-T PSS TR A
36.33.21.2

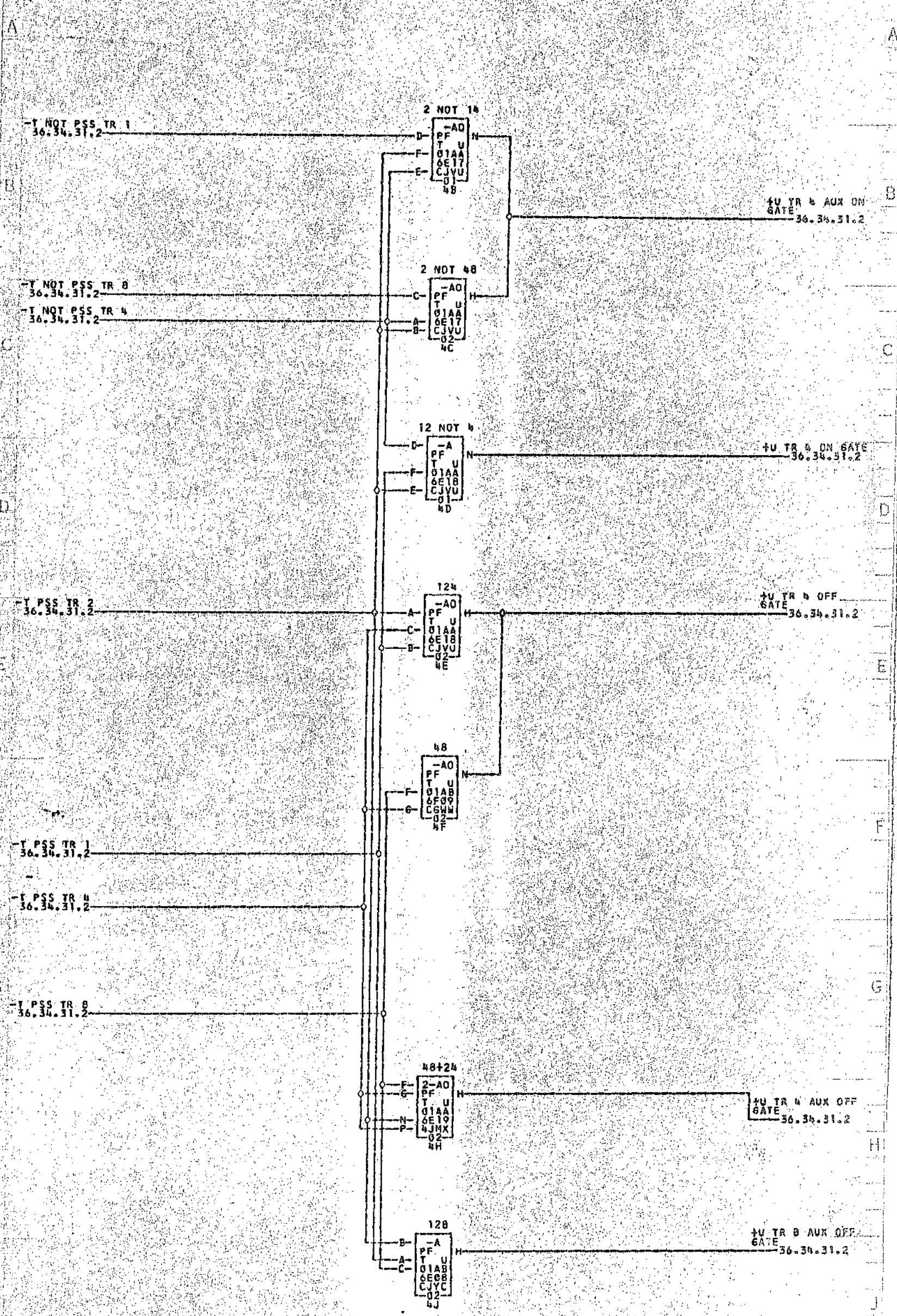
-T NOT PSS TR A
36.33.21.2

-T NOT PSS TR A
36.37.11.2

-T PSS TR B
36.33.21.2

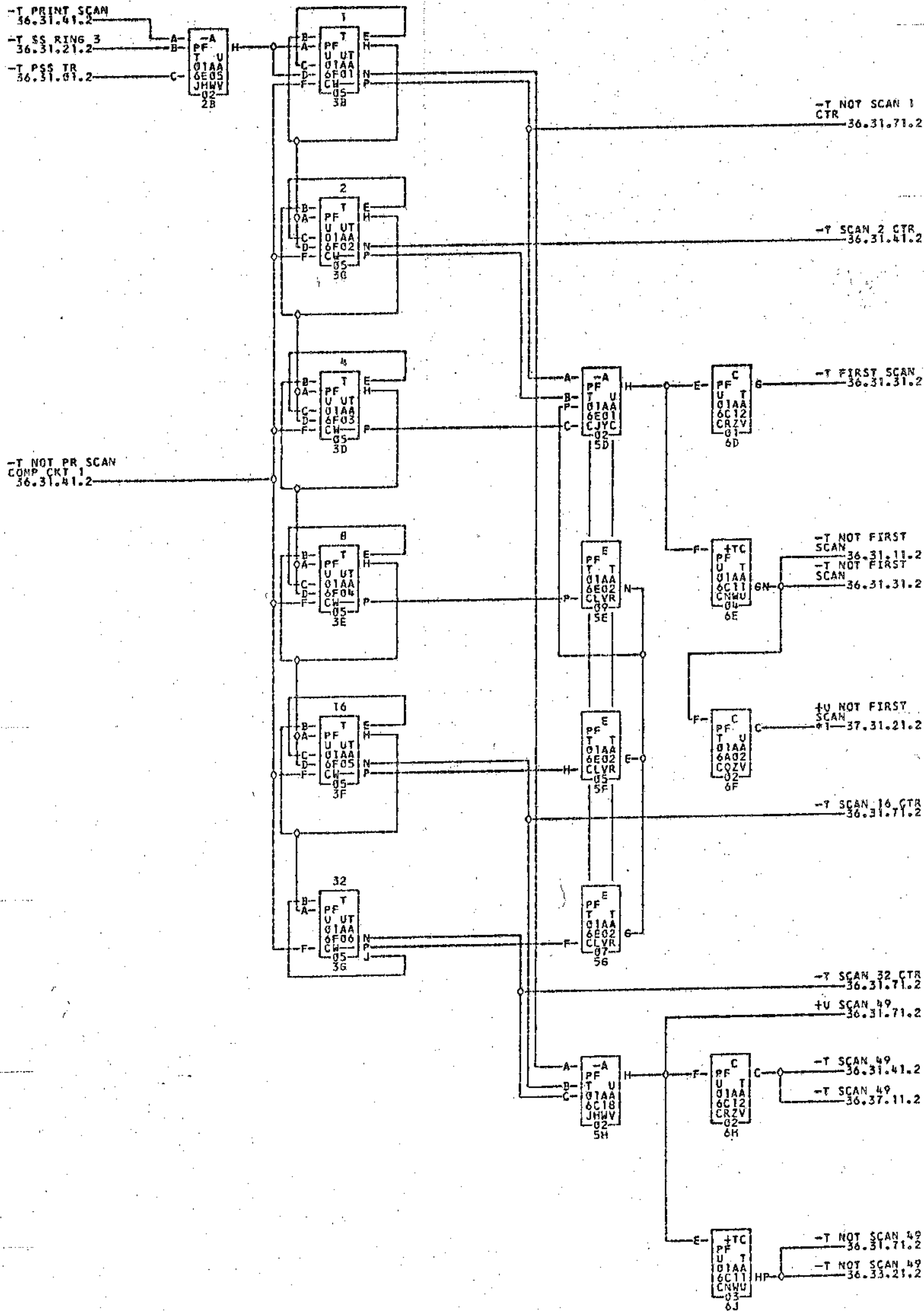
-T NOT PSS TR B
36.33.21.2

-T NOT PSS TR B
36.37.11.2



COMMENTS

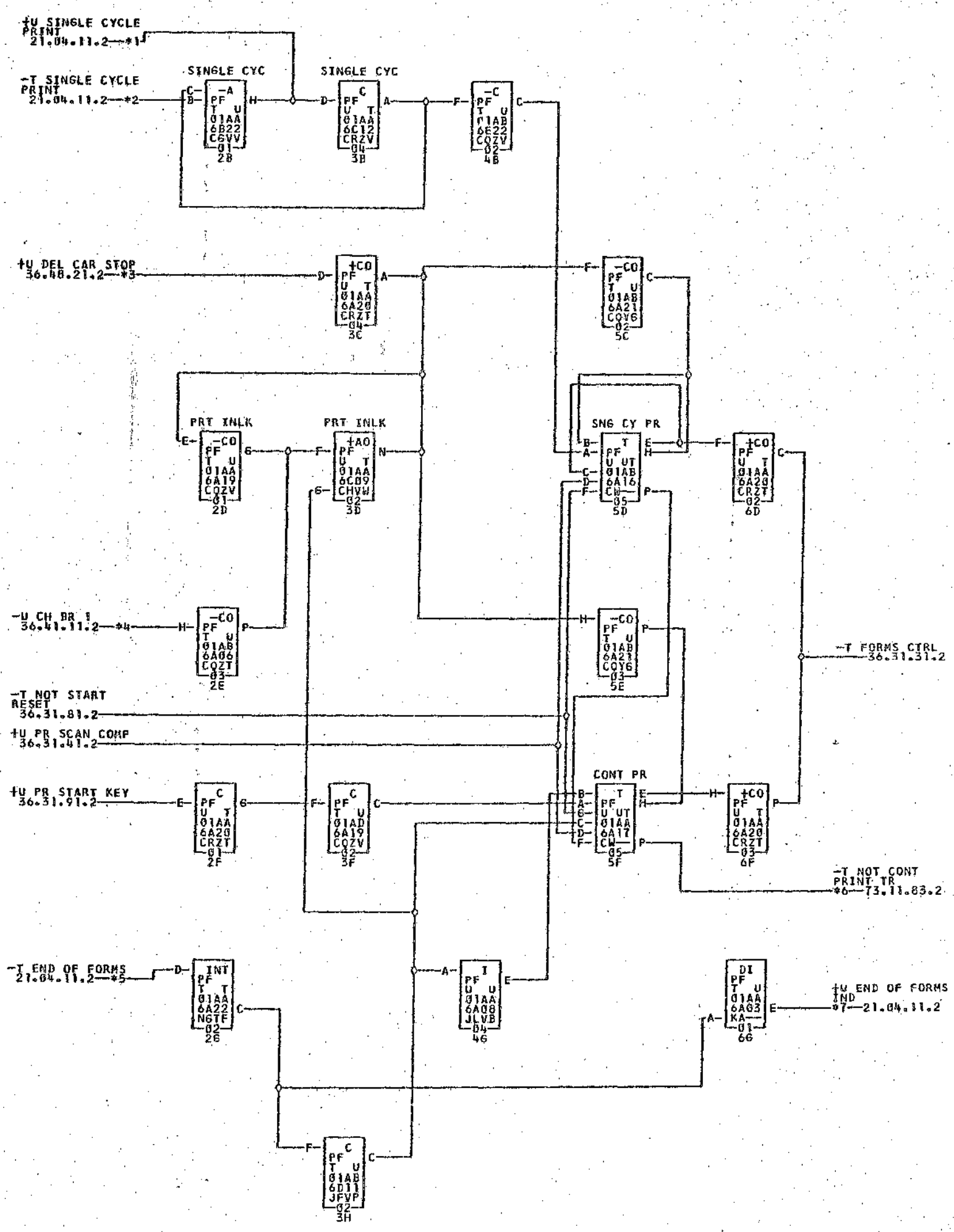
TAG	DATE	E.C.NO.	TAG	DATE	E.C.NO.	TAG	DATE	E.C.NO.	TAG	DATE	E.C.NO.
A	06-12-61	1103200	B	08-15-61	1103244						



*1-01A6026P

COMMENTS

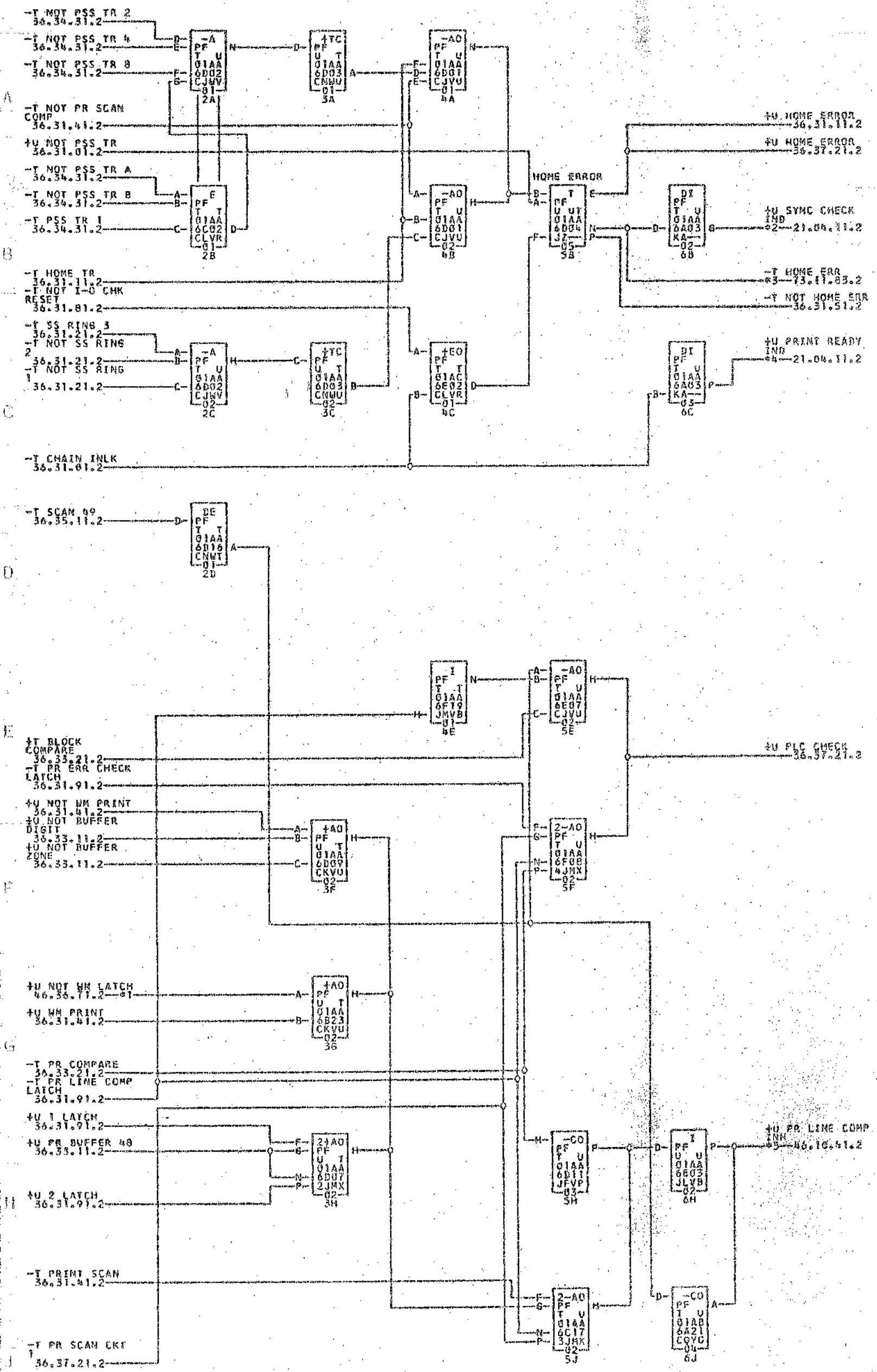
TAG DATE	E.C.NO.	TAG DATE	E.C.NO.	TAG DATE	E.C.NO.	TAG DATE	E.C.NO.
A 06-12-61	1103200	B 08-15-61	110324N	C 10-23-61	112248		



- *1—01A6A26P
- *2—01A6A26R
- *3—01A6D24G
- *4—01A6D24E
- *5—01A6A26M
- *6—01A6F25H

COMMENTS

TAG	DATE	E.C.NO.	TAG	DATE	E.C.NO.	TAG	DATE	E.C.NO.
A	06-12-61	110320	B	08-15-61	110324N	C	12-01-61	113422
						D	06-08-62	114033



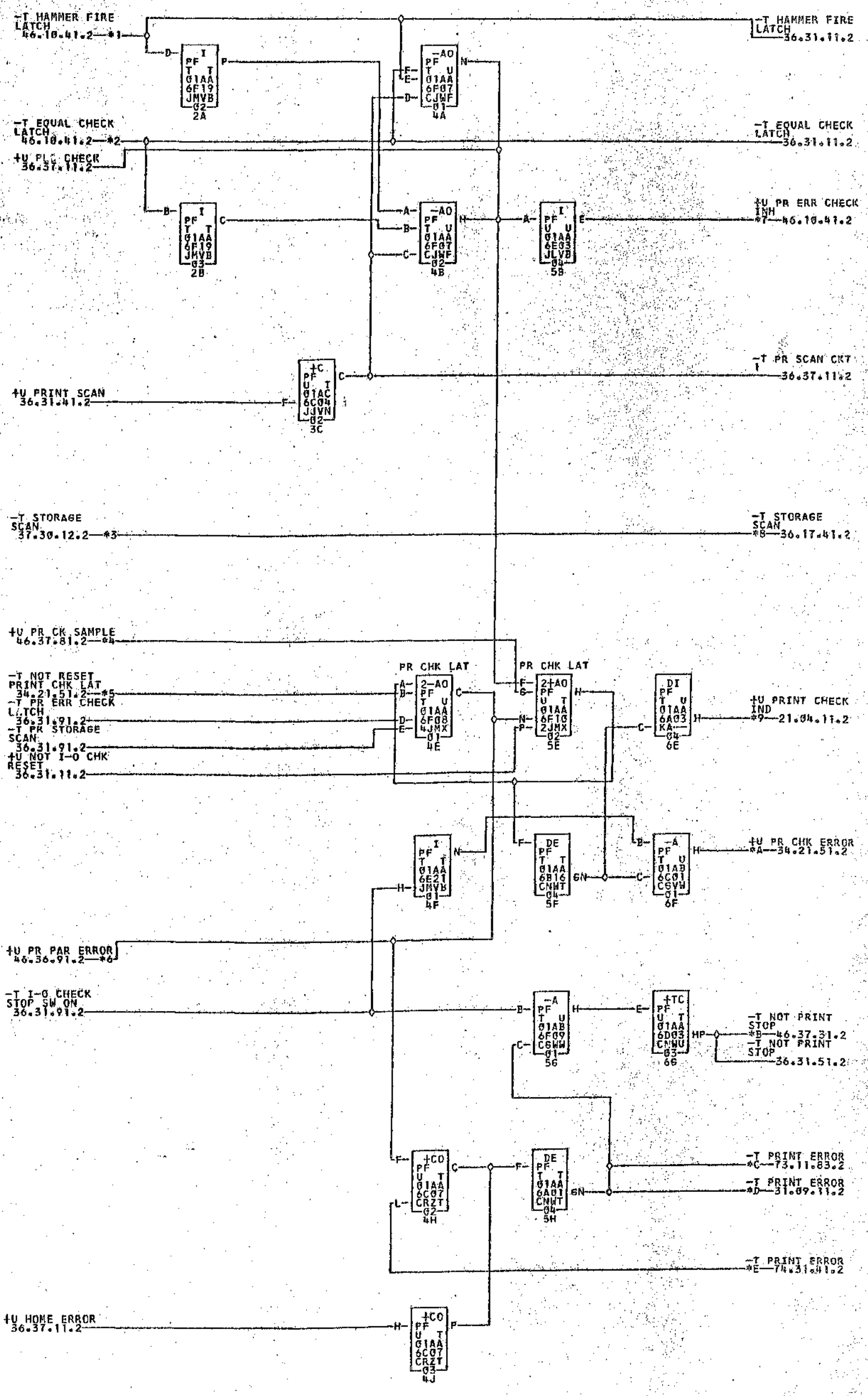
- #1--01A6C24P #2--01A6A26C #3--01A6F25G #4--01A6A26L #5--01A6A25K
- 01A5D26K 01A5E25J 01A4E25J 01B6C036

0724244

PRINT ERROR

1401 PF

36.37.21.2



- *1---01A6B24Q *2---01A6B24P *3---01A6D266 *4---01A6A25J *5---01A6F25D *6---01A6C24H
- *7---01A6A256 *8---01A6D266 *9---01A6E250 *A---01A6F250 *B---01A6C24R *C---01A6F25K
- *10---01A6A260 *11---01A6F25C *12---02A9A11F *13---02B1E02D *14---01A6E26P *15---01A6E26P

-T CHK RESET PR
21.04.11.2--*1

-T CHK RESET PR
*1--37.31.11.2

+U INHIBIT XU11
36.17.41.2--*2

-T CHK RESET PR
*U--36.48.21.2

+U INHIBIT XU11
*V--42.58.11.2

+U INHIBIT YU12
36.17.41.2--*3

+U INHIBIT YU12
*W--42.58.11.2

+U INHIBIT YL13
36.17.41.2--*4

+U INHIBIT YL13
*X--42.58.11.2

+U INHIBIT XL14
36.17.41.2--*5

+U INHIBIT XL14
*Y--42.58.11.2

-T START RELAY
37.10.11.2--*6

-T START RELAY
*Z--21.04.11.2

-T START RELAY
CTRL
37.10.11.2--*7

-T START RELAY
CTRL
*1--21.04.11.2

+U NOT PR START
KEY
21.04.11.2--*8

+U NOT PR START
KEY
*2--31.01.11.2

+U PCH ADDRESS
SET UP CTRL
36.22.11.2--*9

+U PCH ADDRESS
SET UP CTRL
*3--32.31.11.2

+U RD ADDRESS
SET UP CTRL
36.11.11.2--*A

+U RD ADDRESS
SET UP CTRL
*4--32.31.21.2

+U STORAGE RO
GATE
32.33.31.2--*B

+U STORAGE RO
GATE
*5--46.37.31.2

+U PFR GEN 001
56.12.11.2--*C

+U PFR GEN 001
*6--32.31.11.2

+U PFR OVL 001
36.18.11.2--*D

+U B REG 1
35.11.21.2--*E

+U B REG 1
*7--36.13.31.2

+U B REG 2
35.11.61.2--*F

+U B REG 2
*8--36.13.31.2

+U B REG 4
35.12.21.2--*G

+U B REG 4
*9--36.13.31.2

+U B REG 8
35.12.61.2--*H

+U B REG 8
*A--36.13.31.2

-T LAST ADDRESS
56.80.11.2--*J

-T LAST ADDRESS
*B--36.18.11.2

+U B REG B
35.13.61.2--*K

+U B REG B
*C--56.13.11.2

-T PR STOP KEY
21.04.11.2--*L

-T PR STOP KEY
*D--31.01.11.2

-T STOP KEY RP
36.18.11.2--*M

-T S1 COLUMN
36.16.11.2--*N

-T S1 COLUMN
*E--56.80.11.2

+U TRANS SCAN
56.12.11.2--*P

+U TRANS SCAN
*F--36.13.11.2

-T I-O CHECK
STOP SW OFF
37.30.31.2--*Q

-T I-O CHECK
STOP SW OFF
*G--36.17.41.2

-T ALLOW B REG
CHECK
35.30.21.2--*R

-T ALLOW B REG
CHECK
*H--77.40.31.2

+U ADDR STOP
COMP SYNC
32.45.31.2--*S

+U ADDR STOP
COMP SYNC
*J--75.01.03.2

*1--01A6A20N
*7--01A6D26J
*D--01A6F26G
*K--01A6B26F
*R--01A6F25L
*X--01A6A24C
*H--01A6C26B
*A--01A6F26H
*1B4A01A

*2--01A6D256
*8--01A6A26J
*E--01A6R26A
*L--01A6A26H
*5--01A6A24N
*Y--01A6A24D
*S--01A6C24L
*B--01A6F26N
*6--01A6D25E

*3--01A6D25H
*9--01A6F26E
*F--01A6B26B
*M--01A6F26H
*T--01A6D26B
*Z--01A6A26E
*6--01A6C26L
*C--01A6F26P
*1B7A02E

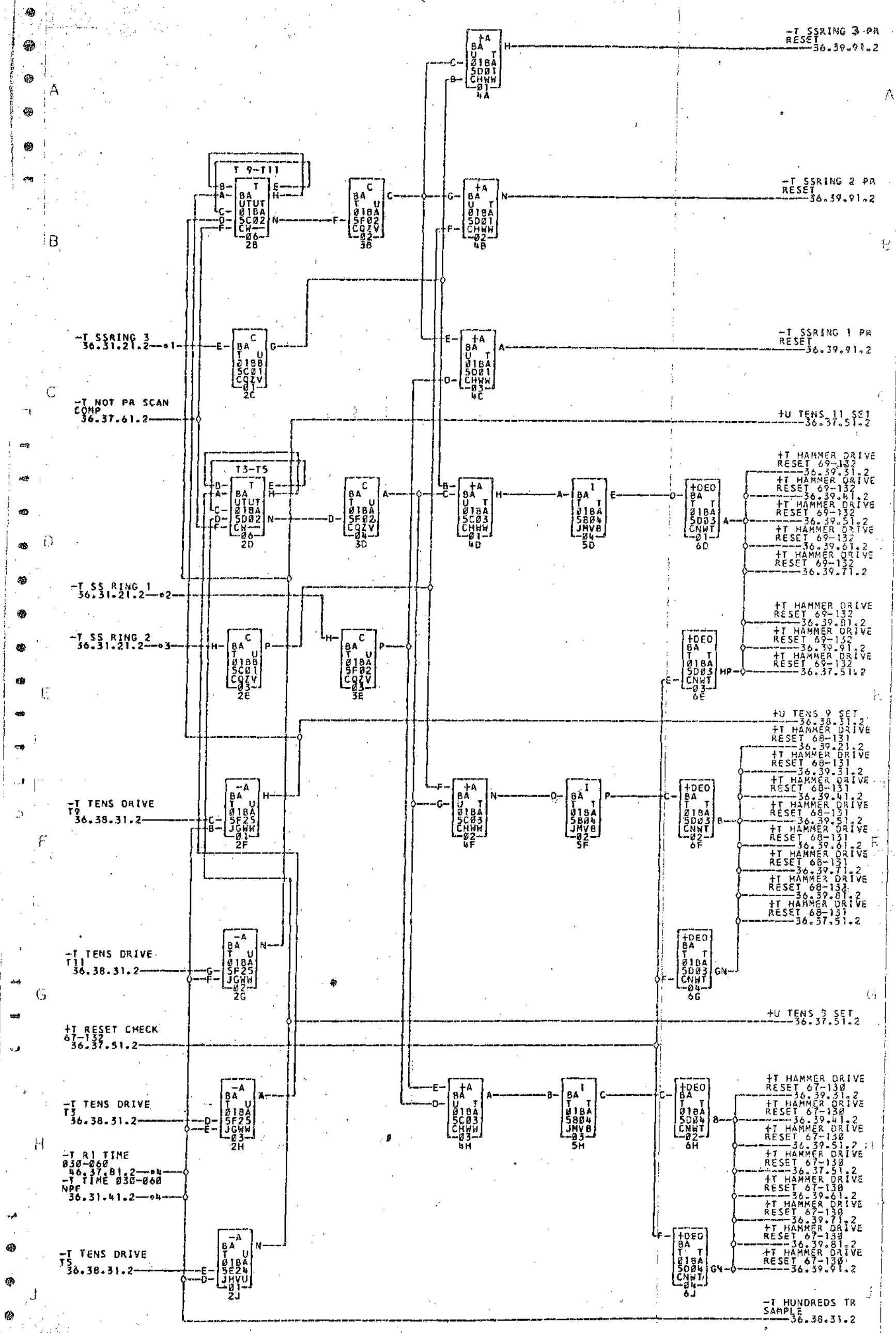
*4--01A6D25J
*A--01A6F26F
*6--01A6B26C
*N--01A6F26D
*U--01A6D24F
*I--01A6A26F
*7--01A6F26J
*D--01A6E26L
*H--01A6A24L

*5--01A6D25K
*B--01A6C26K
*H--01A6B26D
*F--01A6D25D
*V--01A6A24A
*2--01A6E26K
*8--01A6F26K
*E--01A6C26R
*J--01A6D24P

*6--01A6D26H
*C--01A6D25M
*J--01A6C26O
*Q--01A6D26L
*W--01A6A24B
*3--01A6C26A
*9--01A6F26L
*F--01A6F26A

COMMENTS

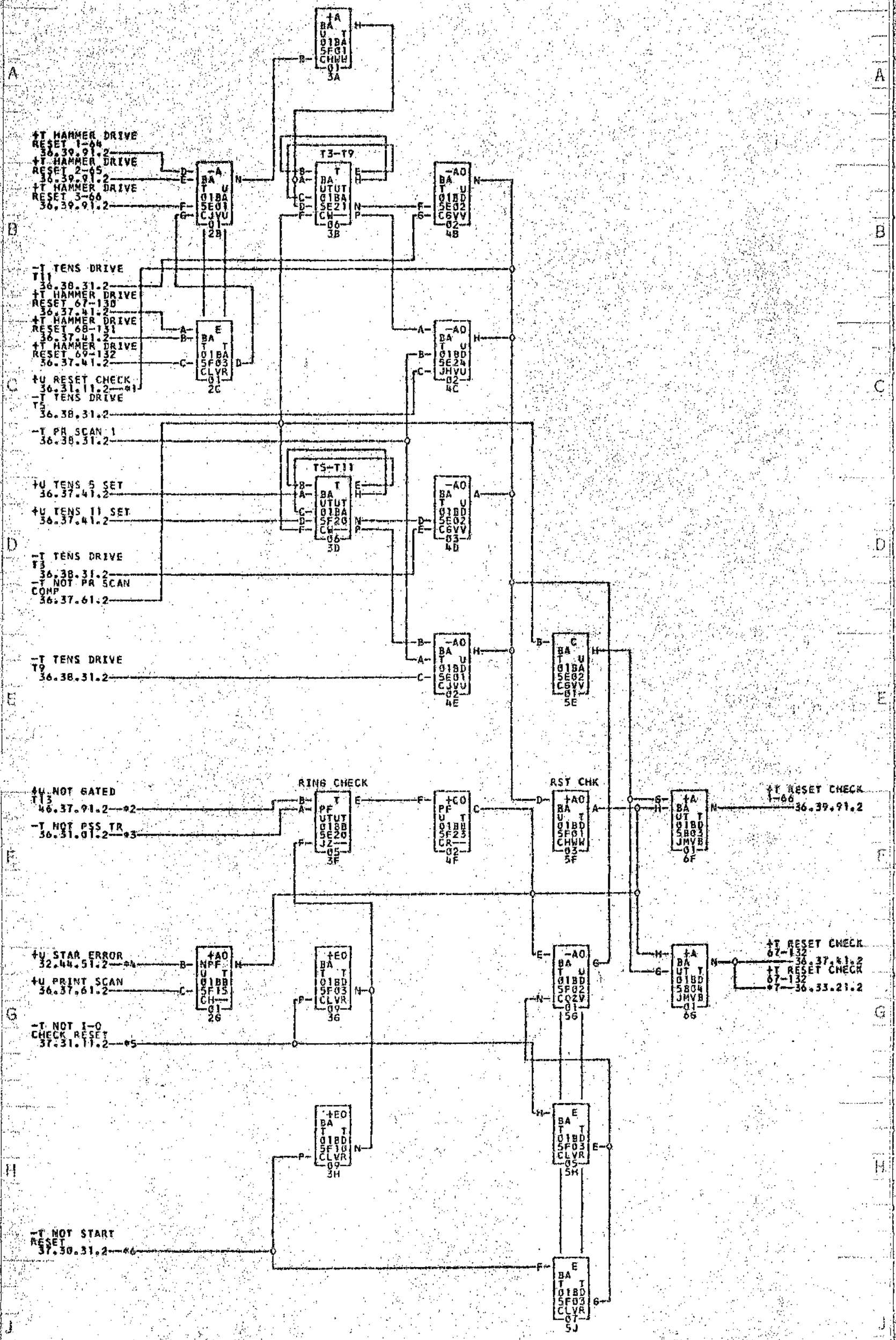
TAG	DATE	E.C.NO.	TAG	DATE	E.C.NO.	TAG	DATE	E.C.NO.	TAG	DATE	E.C.NO.
A	06-12-61	1103280	B	08-15-61	110324N	C	11-27-62	114049			



*1--01B5A24C *2--01B5A24A *3--01B5A24B *4--01B5A24R

COMMENTS
 -T TIME 030-060 NPF PRESENT ONLY WITH
 NO PRINT STORAGE -T R1 TIME 030-060
 PRESENT ONLY WITH PRINT STORAGE

TAG	DATE	E.C.NO.	TAG	DATE	E.C.NO.	TAG	DATE	E.C.NO.	TAG	DATE	E.C.NO.
A	10-01-60	109501J	B	11-07-60	109524	C	03-09-61	1104318			



- #1—01B5A24D #2—01B5A02R #3—01B5A24D #4—01B5A23Q #5—01B5A24F #6—01B5A246
- #7—01B5A24P

+U PRINT SCAN
36.31.41.2--01

+U PRINT SCAN
36.37.51.2
+U PRINT SCAN
36.38.31.2

A

+U COMP EQUAL
SAMPLE
36.33.21.2--02

+U COMP EQUAL
SAMPLE
36.38.01.2
+U COMP EQUAL
SAMPLE
36.38.11.2

-T NOT PR SCAN
COMP
36.31.41.2--03

-T NOT PR SCAN
COMP
36.37.41.2
-T NOT PR SCAN
COMP
36.37.51.2

B

B

C

C

D

D

E

E

F

F

G

G

H

H

01--01B5A2NE

02--01B5A24H

03--01B5A24K

COMMENTS

TAG DATE	E.C.NO.	TAG DATE	E.C.NO.	TAG DATE	E.C.NO.	TAG DATE	E.C.NO.
A 10-01-60	109501J	B 03-09-61	110431B				

0722343

FEED THROUGH SHEET

1401 BA

36.37.01.2

-T HUNDREDS
ZERO
32.40.31.2-01

-T HUNDREDS
ZERO
03-36.17.11.2

A
-T HUNDREDS
ONE
32.40.31.2-02

A
-T HUNDREDS
ONE
04-36.28.11.2

B

B

C

C

D

D

E

E

F

F

G

G

H

H

J

J

*1-01B5A23N

*2-01B5A23P

*3-01B5A25N

*4-01B5A25P

01B7C02P

COMMENTS

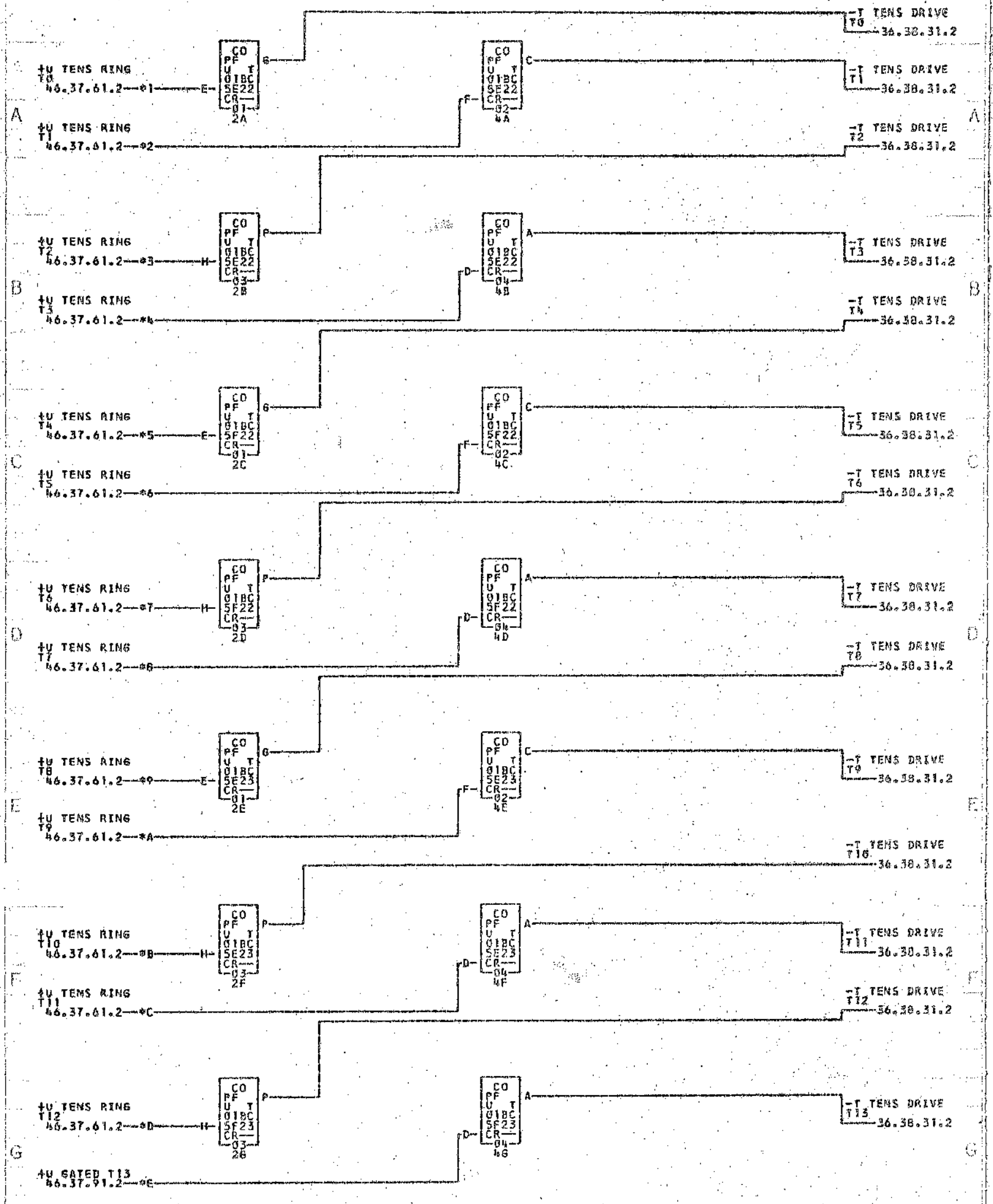
TAG DATE	E.C.NO.	TAG DATE	E.C.NO.	TAG DATE	E.C.NO.	TAG DATE	E.C.NO.
A 10-01-60	1095013	B 03-09-61	1104318	C 12-04-61	1114322		

0722364

PRINT BUFFER TENS DRIVE

1401 BA

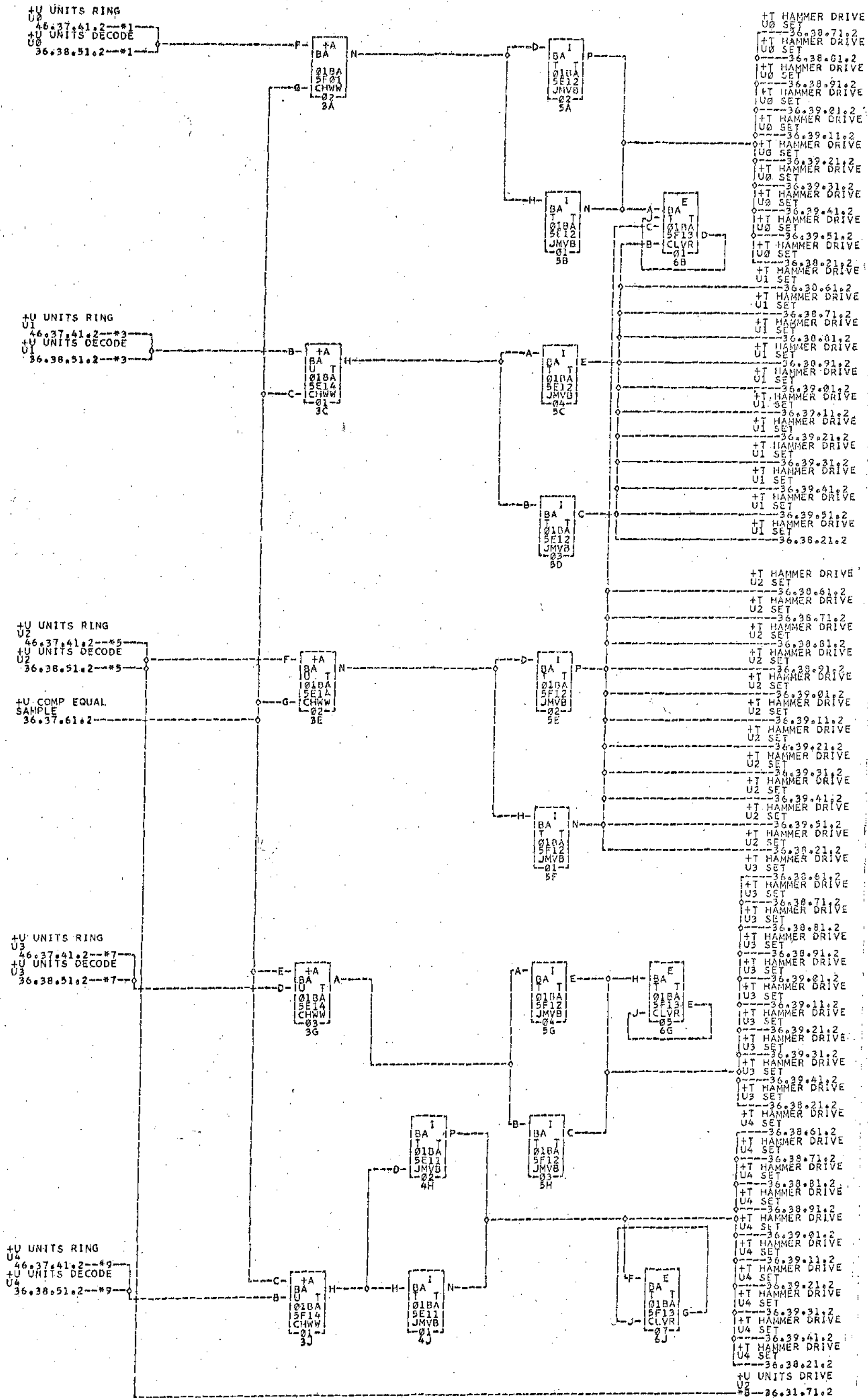
46.37.91.2



- *1-01B5A02A
- *2-01B5A02B
- *3-01B5A02C
- *4-01B5A02D
- *5-01B5A02E
- *6-01B5A02F
- *7-01B5A02G
- *8-01B5A02H
- *9-01B5A02K
- *A-01B5A02L
- *B-01B5A02M
- *C-01B5A02N
- *D-01B5A02P
- *E-01B5A02Q

COMMENTS
ADD E22 E23 F22 F23 FOR PRINT STORAGE

TAG	DATE	E.C.NO.	TAG	DATE	E.C.NO.	TAG	DATE	E.C.NO.	TAG	DATE	E.C.NO.
A	10-01-60	109501J	B	11-07-60	109524	C	12-06-61	113422			



*1--01B5A01A

*3--01B5A01B

*5--01B5A01C

*7--01B5A01D

*9--01B5A01E

*8--01B5A24L

COMMENTS
 ALL +U UNITS RING SIGNALS ARE FLOATING
 WITHOUT PRINT STORAGE ALL +U UNITS
 DECODE SIGNALS ARE FLOATING WITH PRINT
 STORAGE.

TAG DATE E.C.NO. TAG DATE E.C.NO. TAG DATE E.C.NO. TAG DATE E.C.NO.
 A 10-01-60 109501J

+T HAMMER DRIVE
U0 SET
36.38.01.2

+T HAMMER DRIVE
U0 SET
36.39.61.2
+T HAMMER DRIVE
U0 SET
36.39.71.2
+T HAMMER DRIVE
U0 SET
36.39.81.2
+T HAMMER DRIVE
U0 SET
36.39.91.2

+T HAMMER DRIVE
U1 SET
36.38.01.2

+T HAMMER DRIVE
U1 SET
36.39.61.2
+T HAMMER DRIVE
U1 SET
36.39.71.2
+T HAMMER DRIVE
U1 SET
36.39.81.2
+T HAMMER DRIVE
U1 SET
36.38.91.2

+T HAMMER DRIVE
U2 SET
36.38.01.2

+T HAMMER DRIVE
U2 SET
36.39.61.2
+T HAMMER DRIVE
U2 SET
36.39.71.2
+T HAMMER DRIVE
U2 SET
36.39.81.2
+T HAMMER DRIVE
U2 SET
36.39.91.2

+T HAMMER DRIVE
U3 SET
36.38.01.2

+T HAMMER DRIVE
U3 SET
36.39.61.2
+T HAMMER DRIVE
U3 SET
36.39.71.2
+T HAMMER DRIVE
U3 SET
36.39.81.2
+T HAMMER DRIVE
U3 SET
36.39.91.2

+T HAMMER DRIVE
U4 SET
36.38.01.2

+T HAMMER DRIVE
U4 SET
36.39.61.2
+T HAMMER DRIVE
U4 SET
36.39.71.2
+T HAMMER DRIVE
U4 SET
36.39.81.2
+T HAMMER DRIVE
U4 SET
36.39.91.2

+T HAMMER DRIVE
U5 SET
36.38.11.2

+T HAMMER DRIVE
U5 SET
36.39.61.2
+T HAMMER DRIVE
U5 SET
36.39.71.2
+T HAMMER DRIVE
U5 SET
36.39.81.2
+T HAMMER DRIVE
U5 SET
36.39.91.2

+T HAMMER DRIVE
U6 SET
36.38.11.2

+T HAMMER DRIVE
U6 SET
36.39.61.2
+T HAMMER DRIVE
U6 SET
36.39.71.2
+T HAMMER DRIVE
U6 SET
36.39.81.2
+T HAMMER DRIVE
U6 SET
36.39.91.2

+T HAMMER DRIVE
U7 SET
36.38.11.2

+T HAMMER DRIVE
U7 SET
36.39.61.2
+T HAMMER DRIVE
U7 SET
36.39.71.2
+T HAMMER DRIVE
U7 SET
36.39.81.2
+T HAMMER DRIVE
U7 SET
36.39.91.2

+T HAMMER DRIVE
U8 SET
36.38.11.2

+T HAMMER DRIVE
U8 SET
36.39.61.2
+T HAMMER DRIVE
U8 SET
36.39.71.2
+T HAMMER DRIVE
U8 SET
36.39.81.2
+T HAMMER DRIVE
U8 SET
36.39.91.2

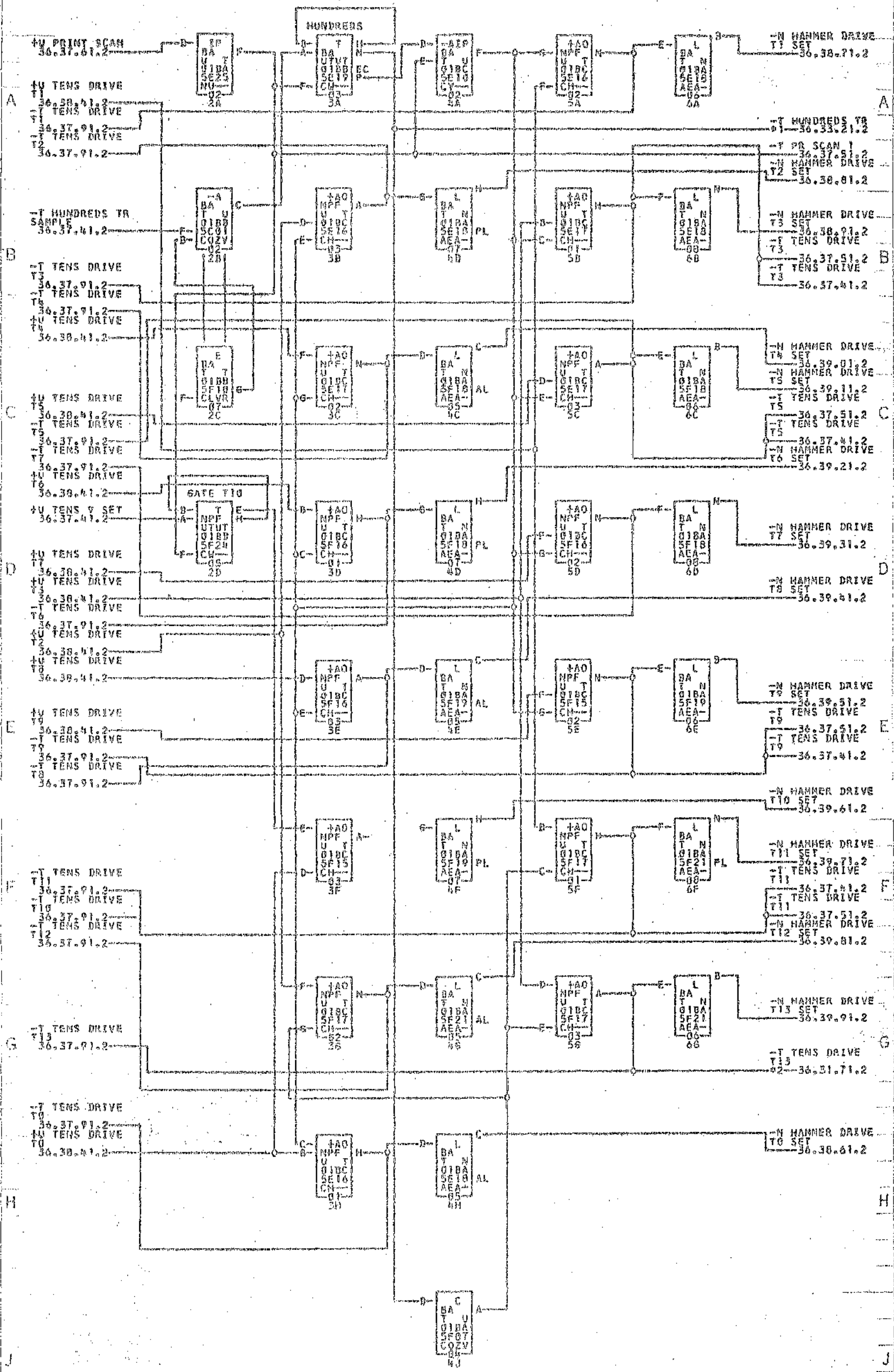
+T HAMMER DRIVE
U9 SET
36.38.11.2

+T HAMMER DRIVE
U9 SET
36.39.61.2
+T HAMMER DRIVE
U9 SET
36.39.71.2
+T HAMMER DRIVE
U9 SET
36.39.81.2
+T HAMMER DRIVE
U9 SET
36.39.91.2

COMMENTS

TAG DATE E.C.NO. TAG DATE E.C.NO. TAG DATE E.C.NO. TAG DATE E.C.NO.

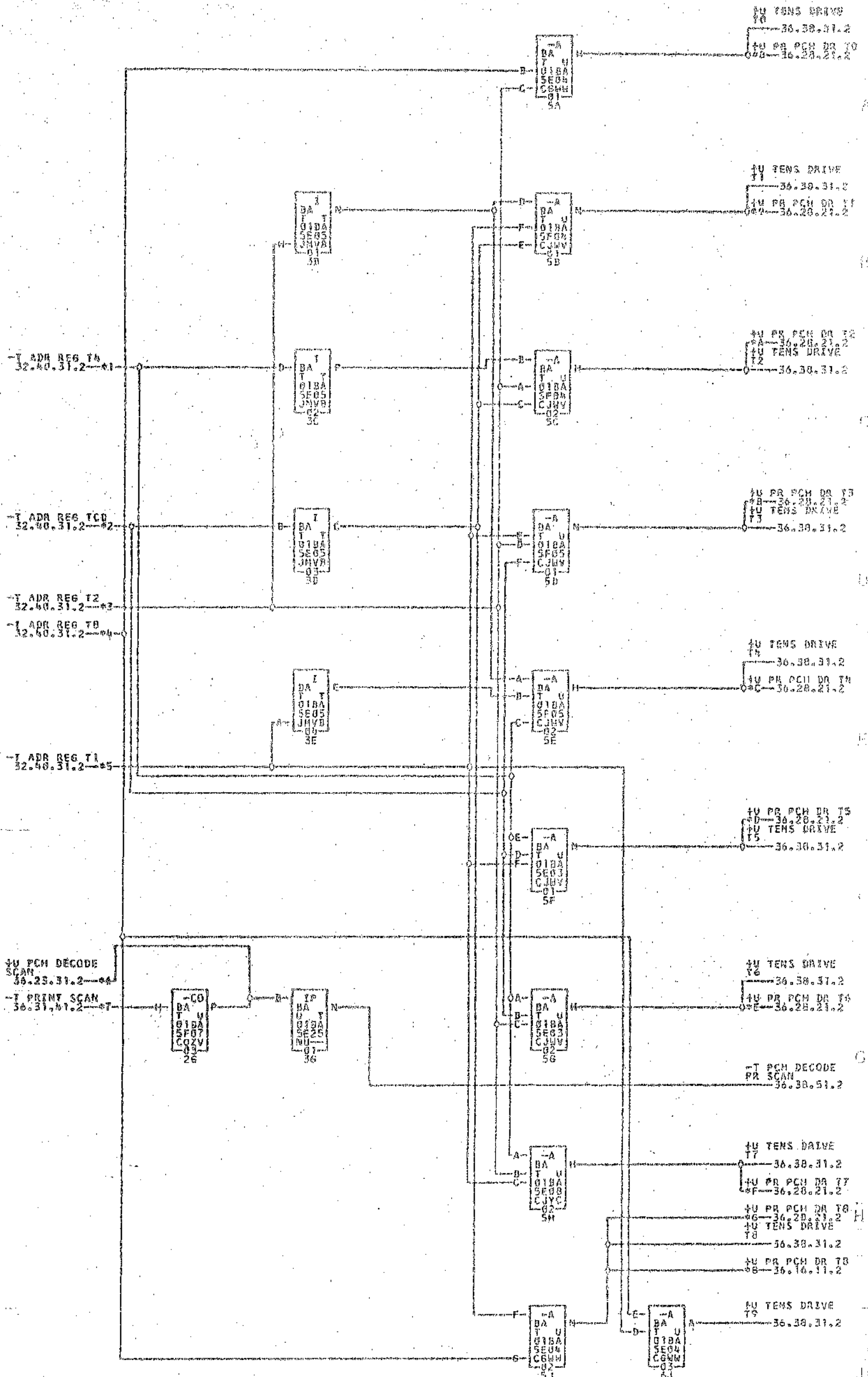
A 10-01-60 109501J



01-0195A23H 02-0195A24M

REMOVE E1A E17 F10 F15 E17 F24
 FOR PRINT STORAGE. ADD F25 FOR PRINT
 STORAGE. REMOVE F07 E10 FOR PRINT
 AND PUNCH STORAGE COMBINATION
 OR FOR MODEL D WITH PRINT STORAGE.

TAG DATE E.C. NO. TAG DATE E.C. NO. TAG DATE E.C. NO. TAG DATE E.C. NO.
 A 10-01-60 109501J B 11-07-60 109520A C 12-04-61 113622



- *1--01B5A23H *2--01B5A23K *3--01B5A23L *4--01B5A23M *5--01B5A23N *6--01B5A23O
- *7--01B5A23P *8--01B5A23Q *9--01B5A23R *A--01B5A23S *B--01B5A23T *C--01B5A23U
- *D--01B5A23V *E--01B5A23W *F--01B5A23X *G--01B5A23Y *H--01B5A23Z

COMMENTS
 REMOVE E04 F04 E05 F05 E03 E00 F07
 FOR PRINT AND PUNCH STORAGE
 COMBINATION OR FOR MODEL D WITH
 PRINT STORAGE.

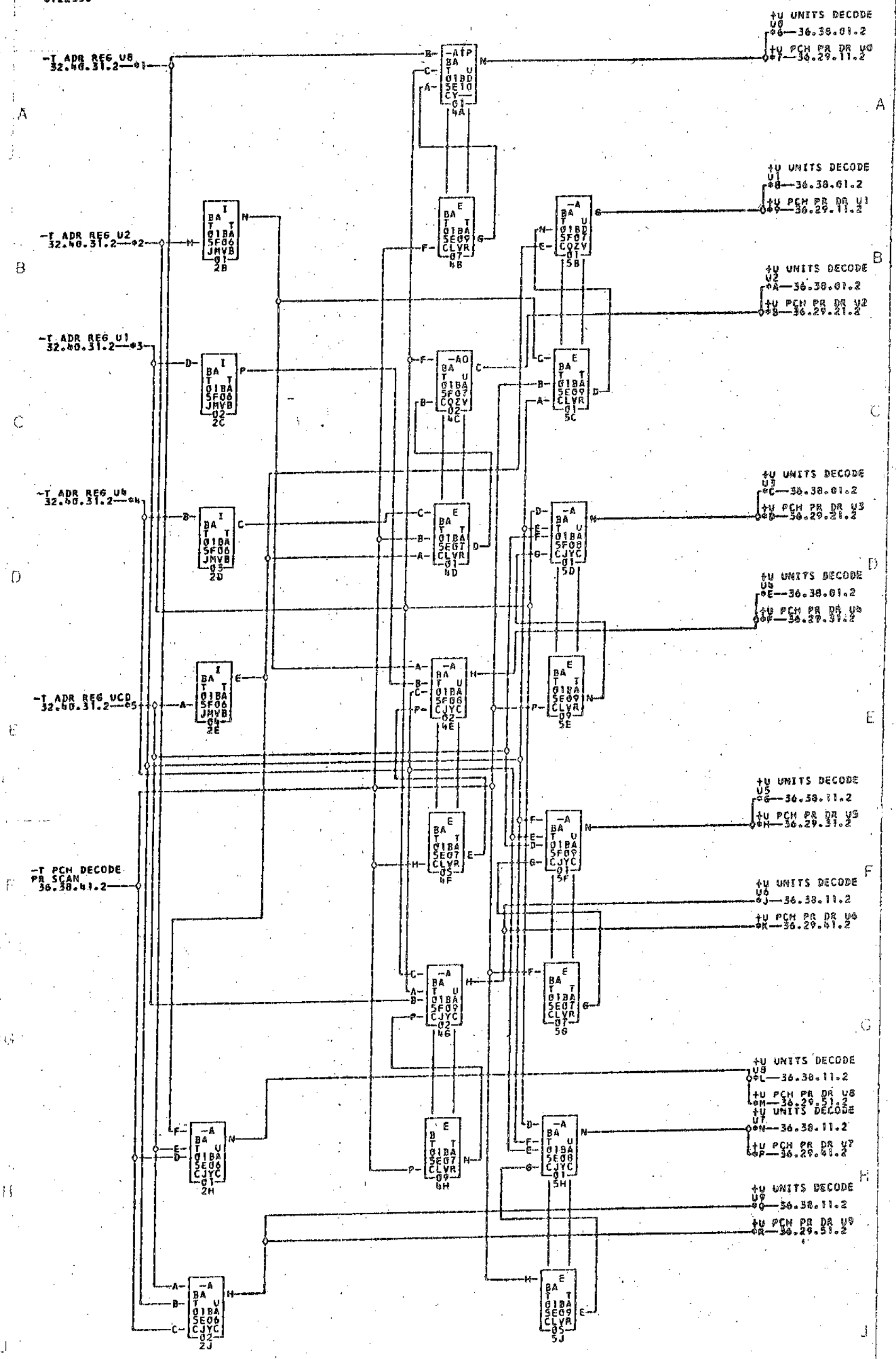
TAG DATE E.C.NO. TAG DATE E.C.NO. TAG DATE E.C.NO. TAG DATE E.C.NO.
 A 10-01-60 10V501J D 03-09-61 110531B C 12-06-61 113422

0722350

UNITS ADDRESS DECODE

1401 BA

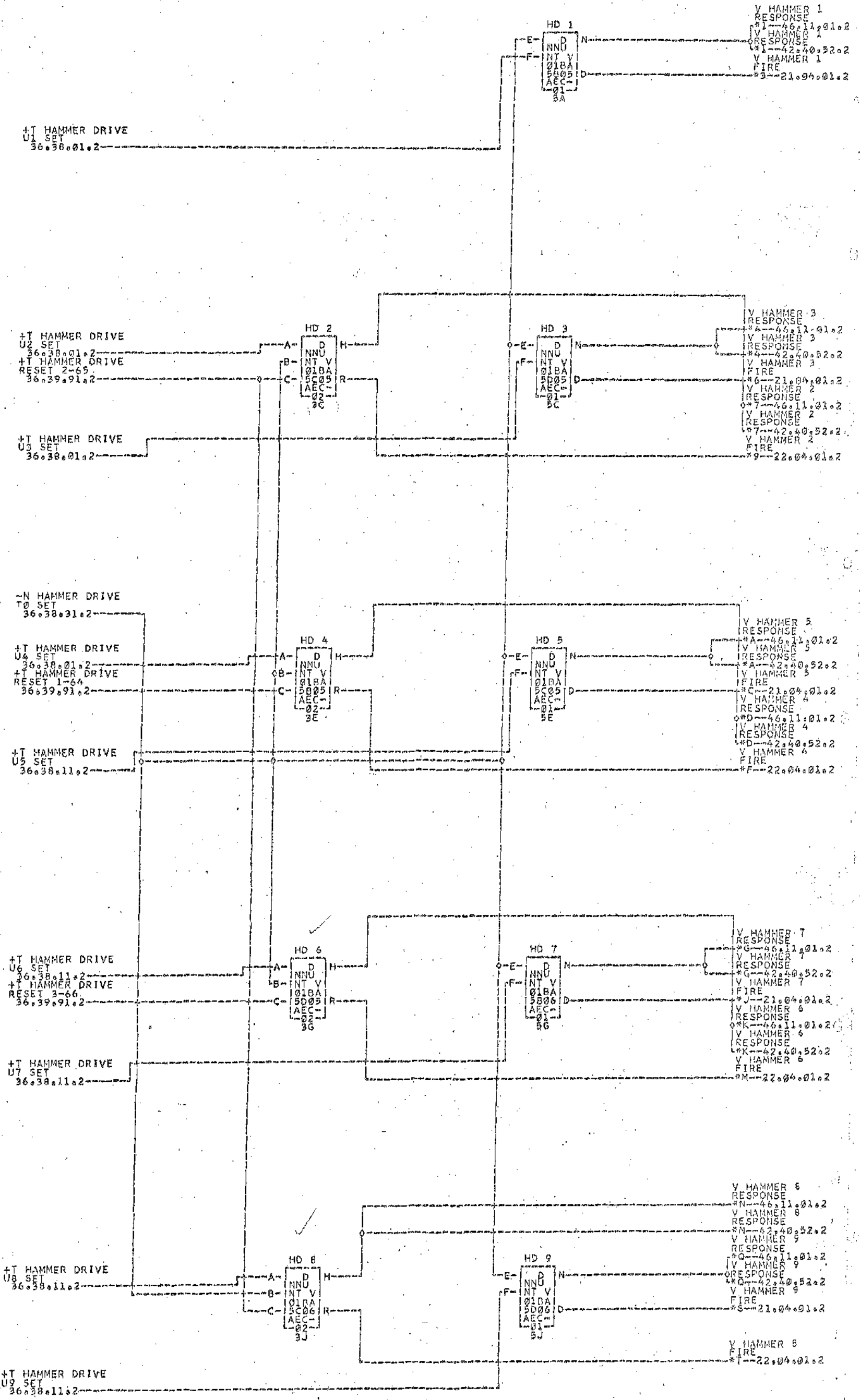
36.30.51.2



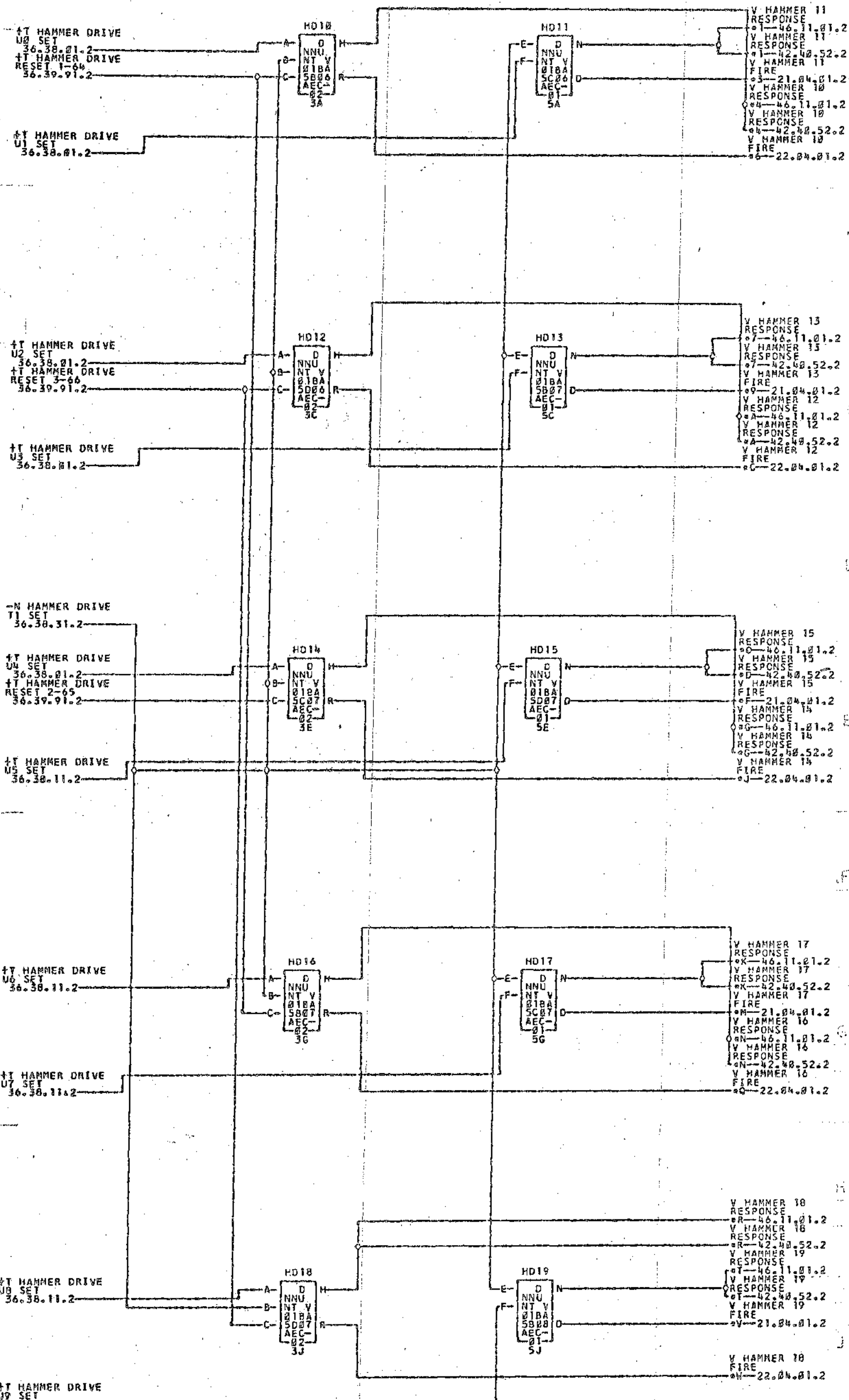
- *1-01B5A23D
- *2-01B5A23B
- *3-01B5A23A
- *4-01B5A23C
- *5-01B5A23E
- *6-01B5B01A
- *7-01B5A25A
- *8-01B7C02A
- *9-01B5B01B
- *A-01B5A25B
- *B-01B7C02B
- *C-01B5B01C
- *D-01B5A25D
- *E-01B7C02C
- *F-01B5B01D
- *G-01B5A25E
- *H-01B7C02D
- *I-01B5B01E
- *J-01B5A25F
- *K-01B7C02E
- *L-01B5B01F
- *M-01B5A25G
- *N-01B7C02F
- *O-01B5B01G
- *P-01B5A25H
- *Q-01B7C02G
- *R-01B5B01H
- *S-01B5A25I
- *T-01B7C02H
- *U-01B5B01I
- *V-01B5A25J
- *W-01B7C02I
- *X-01B5B01J
- *Y-01B5A25K
- *Z-01B7C02J

COMMENTS
 REMOVE F06 F07 E07 F08 F09 E10
 F09 F08 E06 FOR PRINT AND PUNCH
 STORAGE COMBINATION OR FOR MODEL D
 WITH PRINT STORAGE.

TAG DATE E.C. NO. TAG DATE E.C. NO. TAG DATE E.C. NO. TAG DATE E.C. NO.
 A 10-01-60 1095013 B 11-07-60 109526 C 03-09-61 1105318 D 12-06-61 113522

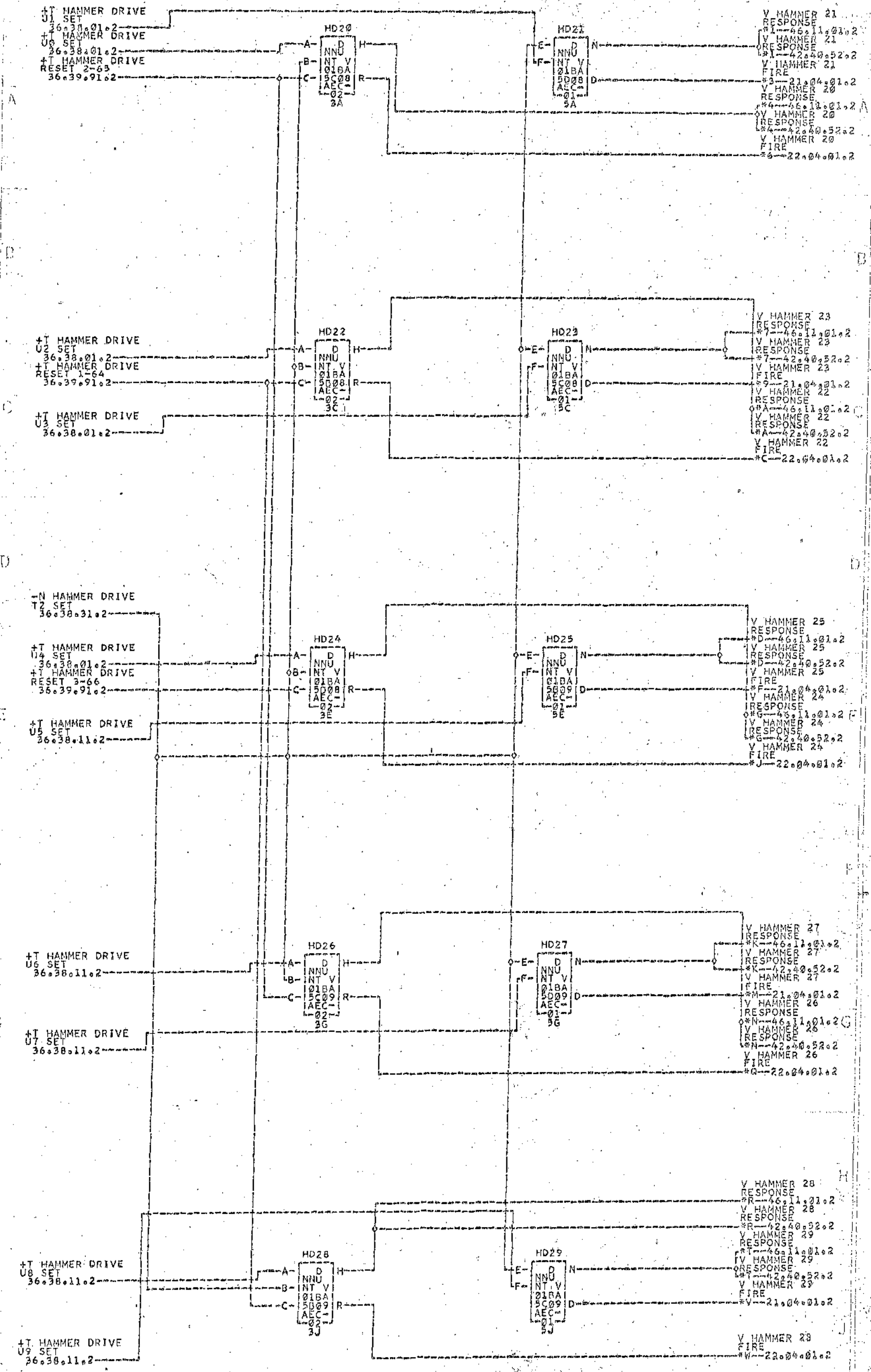


- #1--01B5A14A #3--01B5A03A #4--01B5A16A #6--01B5A03B #7--01B5A15A #9--01B5A08A
- #A--01B5A18A #C--01B5A03C #D--01B5A17A #E--01B5A08D #G--01B5A20A #J--01B5A03D
- #K--01B5A19A #M--01B5A06C #N--01B5A21A #O--01B5A22A #S--01B5A03E #T--01B5A06E



- *1-0185A140
- *2-0185A150
- *3-0185A158
- *4-0185A160
- *5-0185A168
- *6-0185A170
- *7-0185A178
- *8-0185A180
- *9-0185A188
- *10-0185A190
- *11-0185A198
- *12-0185A200
- *13-0185A208
- *14-0185A210
- *15-0185A218
- *16-0185A220
- *17-0185A228

- *18-0185A03F
- *19-0185A08F
- *20-0185A08J
- *21-0185A08K
- *22-0185A08L
- *23-0185A08M
- *24-0185A08N
- *25-0185A08P
- *26-0185A08Q
- *27-0185A08R
- *28-0185A08S
- *29-0185A08T
- *30-0185A08U
- *31-0185A08V
- *32-0185A08W
- *33-0185A08X
- *34-0185A08Y
- *35-0185A08Z



#1--01B5A14G
 #A--01B5A15C
 #K--01B5A22C
 #V--01B5A030

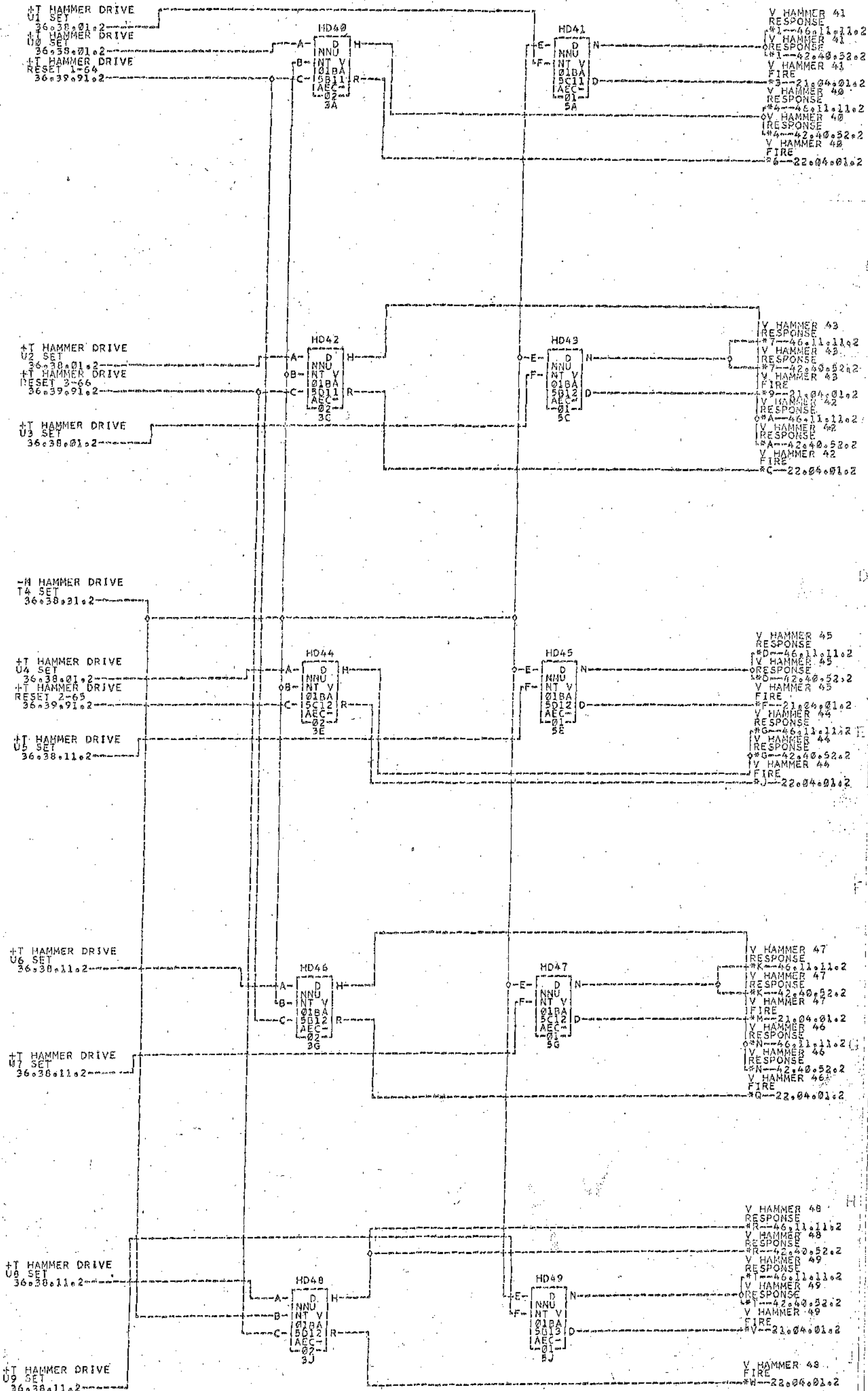
#3--01B5A03L
 #C--01B5A08L
 #M--01B5A03P
 #W--01B5A08P

#4--01B5A15R
 #D--01B5A18C
 #N--01B5A19C

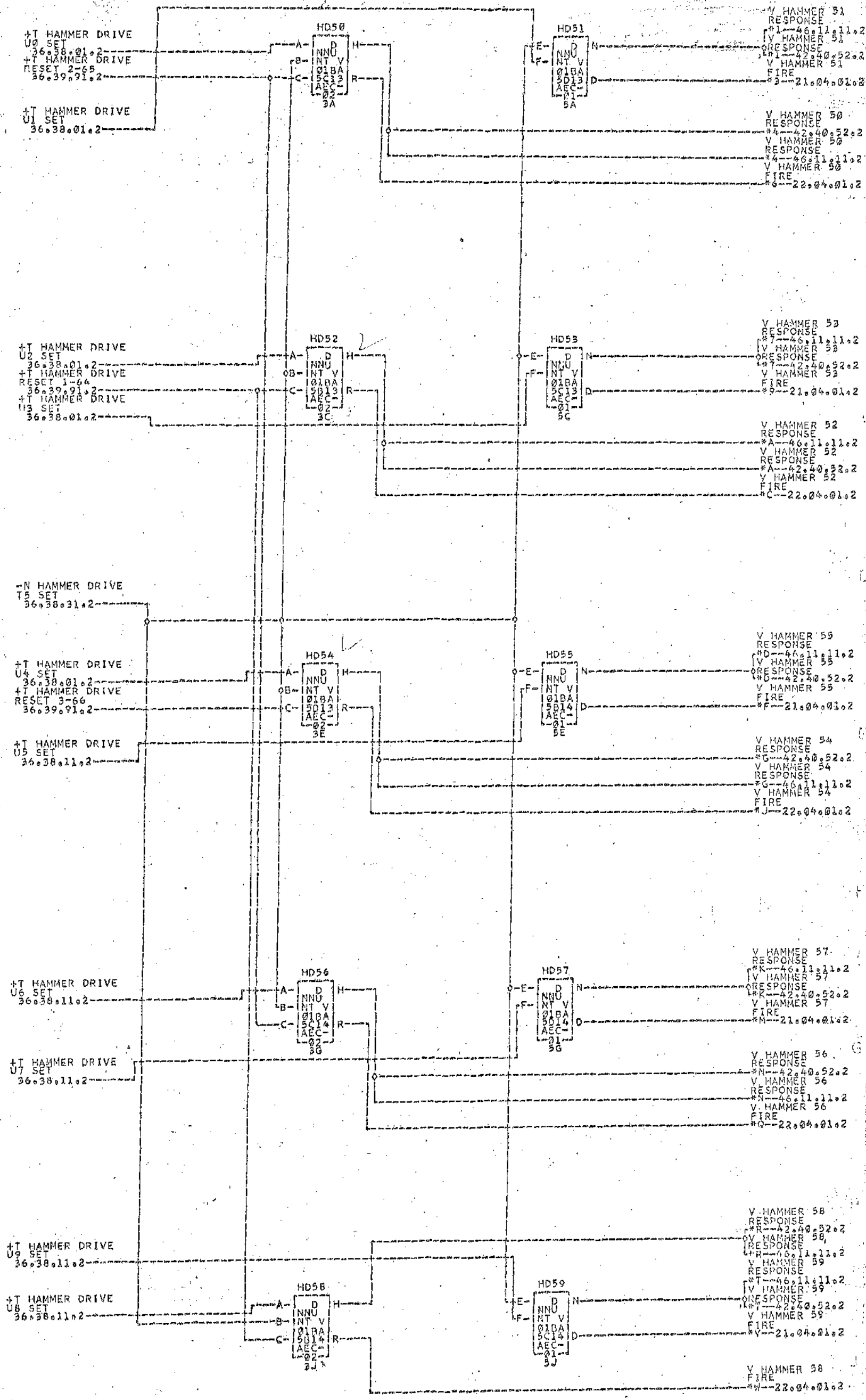
#6--01B5A08K
 #F--01B5A03N
 #Q--01B5A08N

#7--01B5A16C
 #G--01B5A17C
 #R--01B5A21C

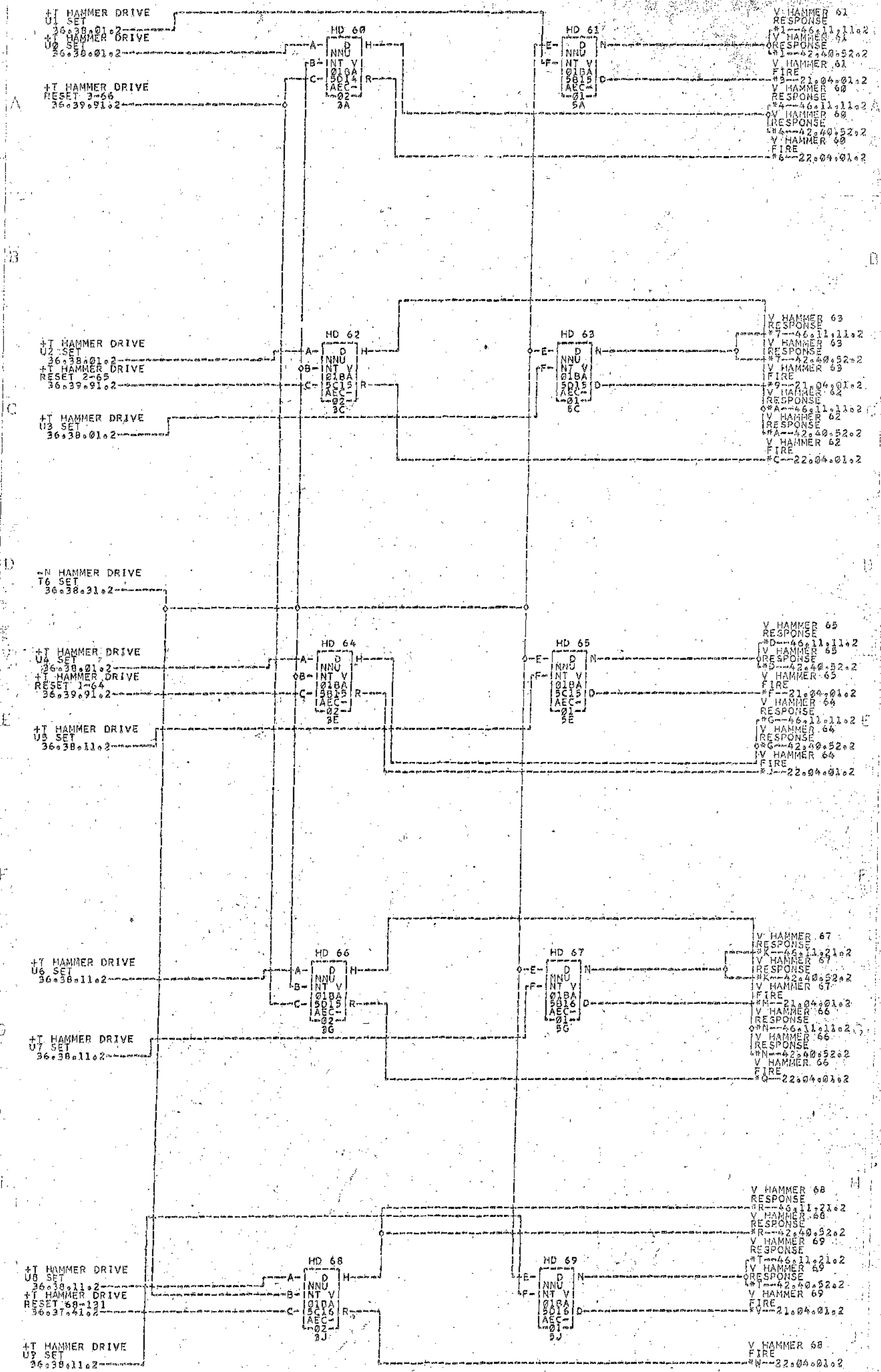
#9--01B5A03K
 #J--01B5A08K
 #T--01B5A22C



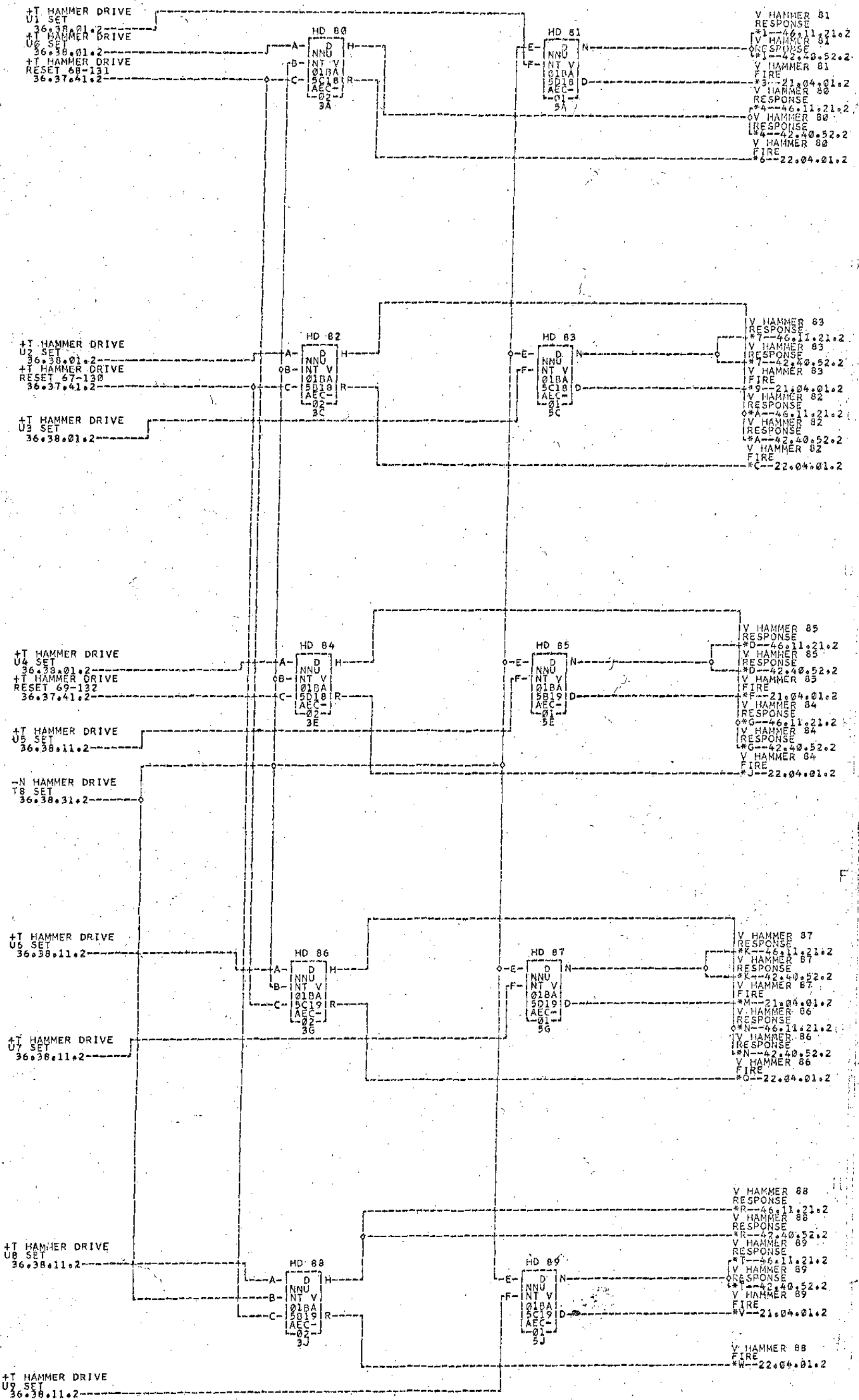
- *1--01B5A14E *3--01B5A04E *4--01B5A16R *5--01B5A09D *6--01B5A16E *9--01B5A04F
- *A--01B5A15E *C--01B5A09E *D--01B5A18R *F--01B5A04G *G--01B5A17E *J--01B5A09F
- *K--01B5A22E *M--01B5A04H *N--01B5A19E *Q--01B5A09G *R--01B5A21E *T--01B5A22E
- *V--01B5A04J *W--01B5A09H



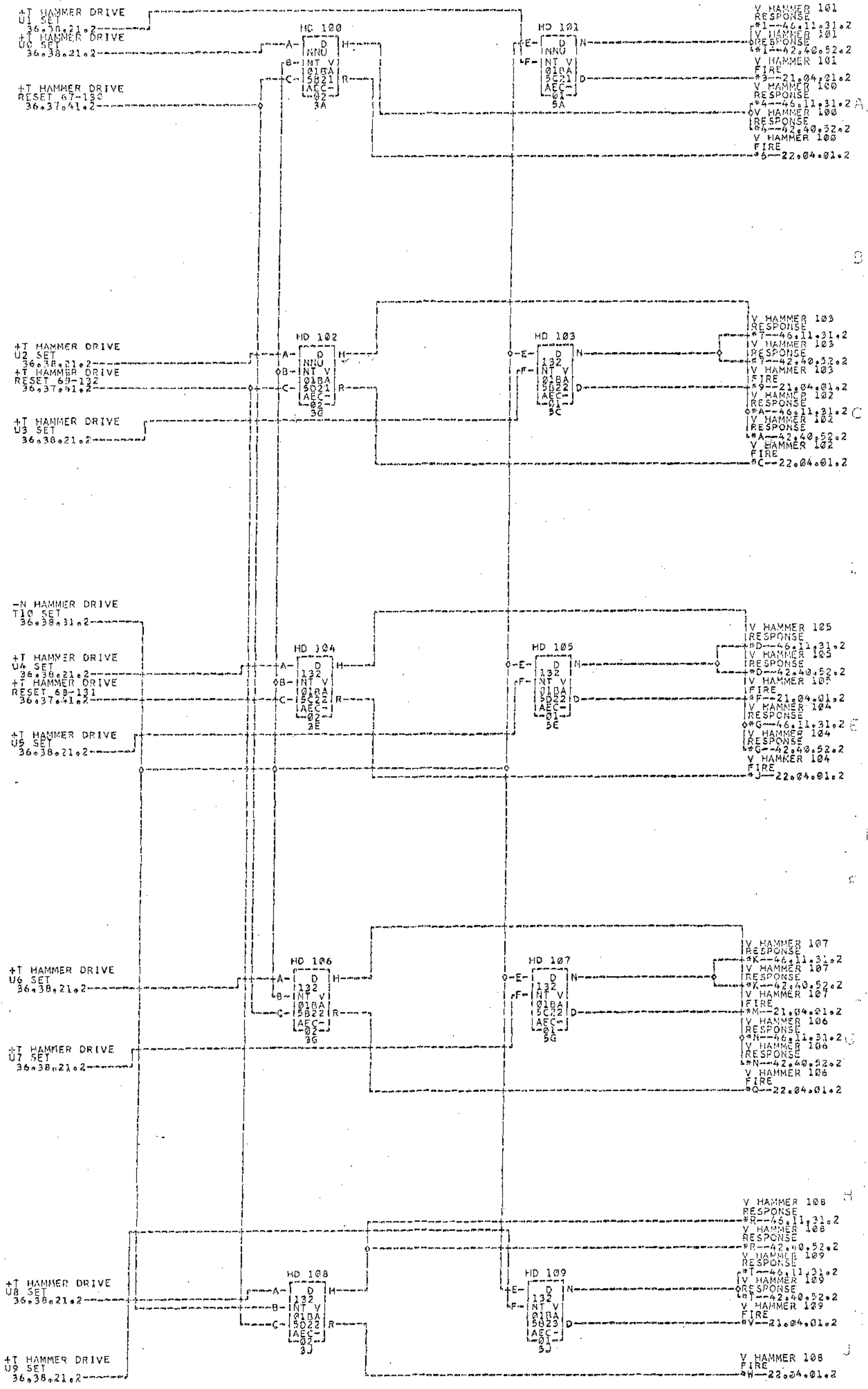
- *1--01B5A14F
- *3--01B5A04K
- *4--01B5A17Q
- *6--01B5A09J
- *7--01B5A16F
- *9--01B5A04L
- *A--01B5A15E
- *C--01B5A09K
- *D--01B5A18E
- *F--01B5A09M
- *G--01B5A17E
- *J--01B5A07P
- *K--01B5A20P
- *M--01B5A04N
- *N--01B5A19F
- *Q--01B5A09M
- *R--01B5A21F
- *T--01B5A02P
- *V--01B5A04P
- *W--01B5A09N



- #1--01B5A14G #3--01B5A04Q #4--01B5A17R #6--01B5A09P #7--01B5A16G #9--01B5A04R
- #A--01B5A15G #C--01B5A09Q #D--01B5A18G #F--01B5A05A #G--01B5A17G #J--01B5A09R
- #K--01B5A20C #M--01B5A05B #N--01B5A19G #O--01B5A10A #R--01B5A21G #Y--01B5A22G
- #V--01B5A05C #W--01B5A10B



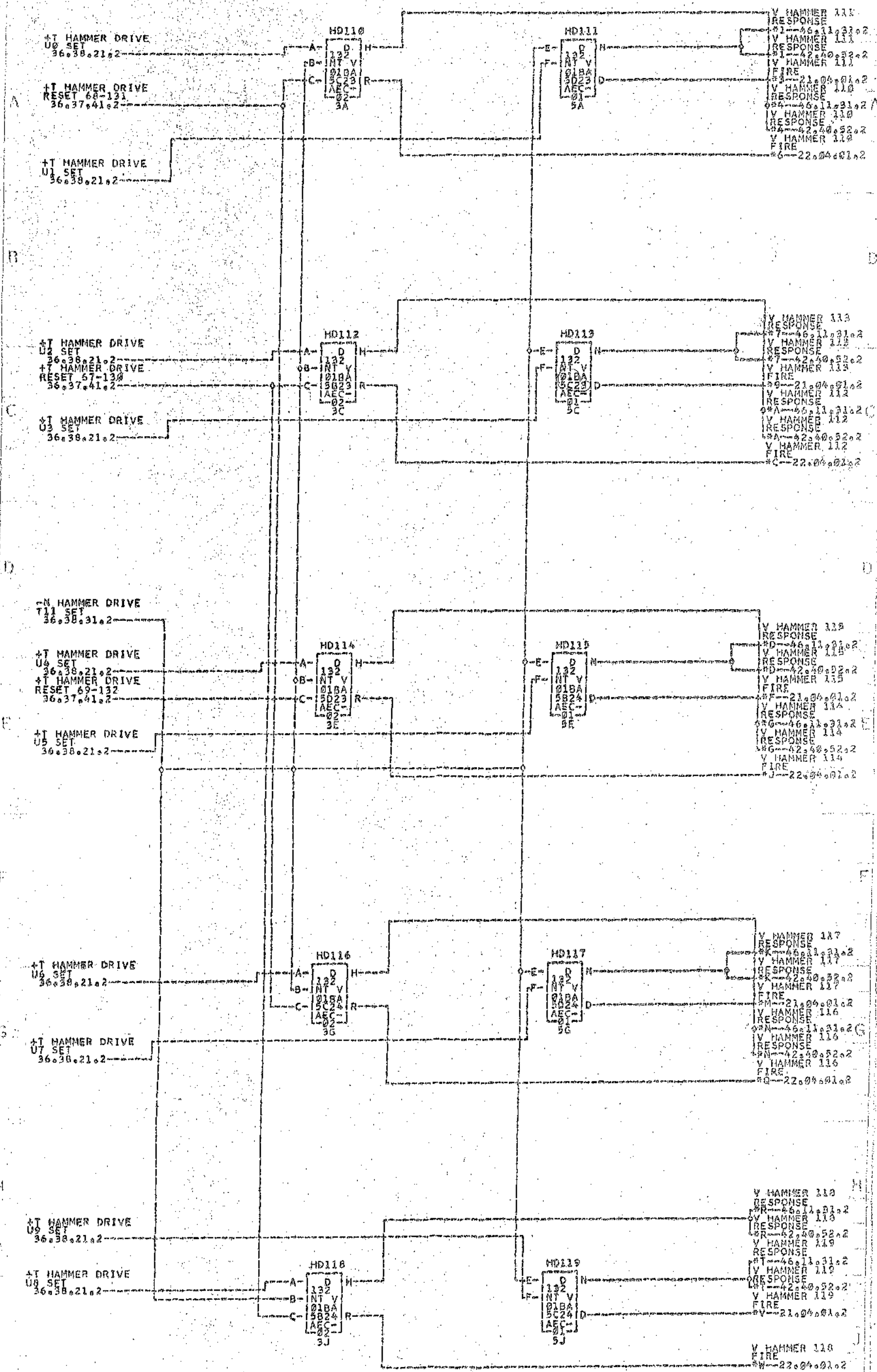
- *1--01B5A14K *3--01B5A05J *4--01B5A18R *6--01B5A10H *7--01B5A16K *9--01B5A05K
- *A--01B5A15K *C--01B5A10J *D--01B5A18K *E--01B5A05L *G--01B5A17K *J--01B5A10K
- *K--01B5A20K *M--01B5A05M *N--01B5A19K *O--01B5A10L *R--01B5A21K *T--01B5A22K
- *V--01B5A05N *W--01B5A10M



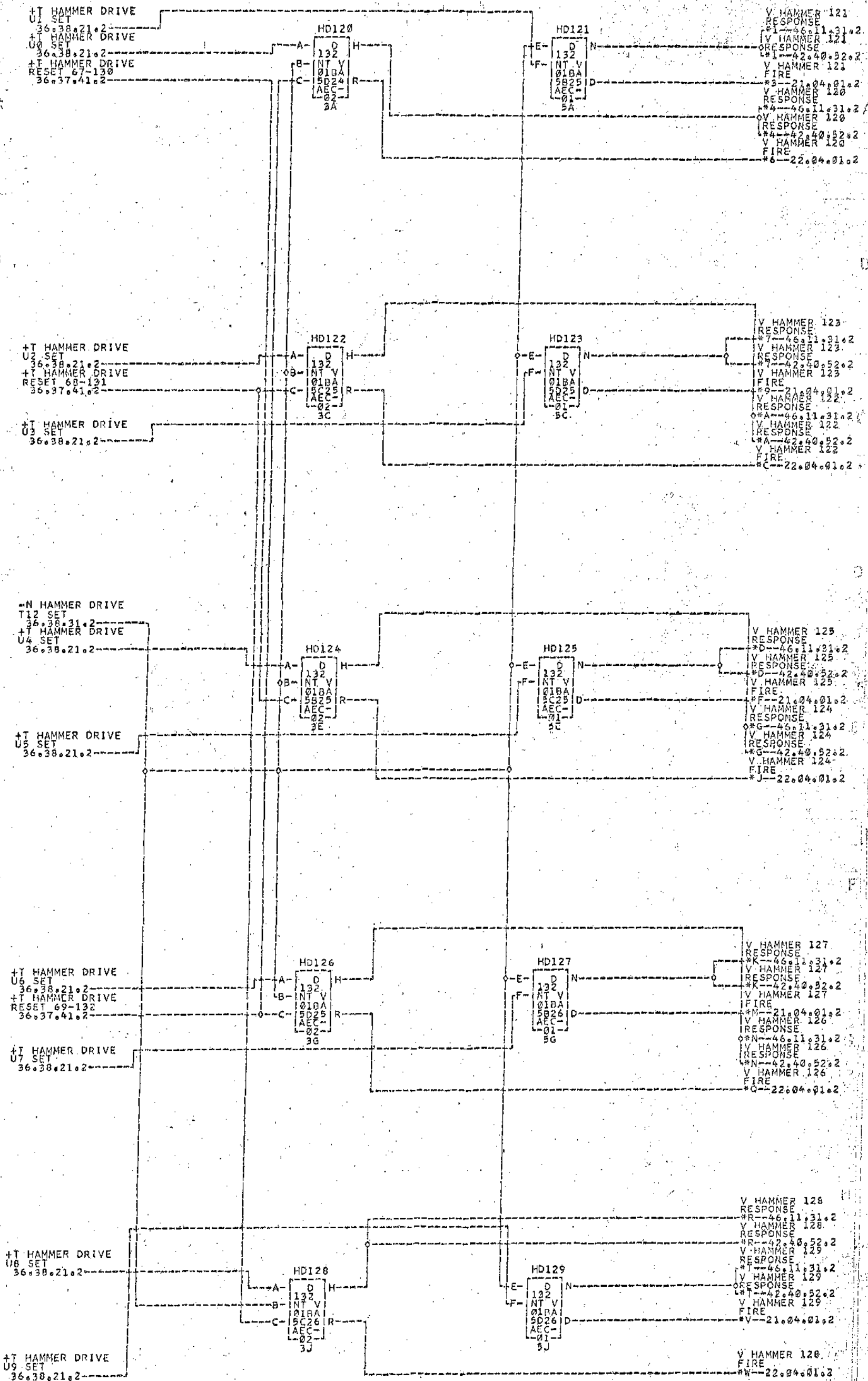
- *1--01B5A14M *2--01B5A06C *3--01B5A19P *4--01B5A11B *5--01B5A16M *6--01B5A06D
- *A--01B5A15M *C--01B5A11C *D--01B5A18M *E--01B5A06F *G--01B5A17M *H--01B5A11D
- *K--01B5A20M *M--01B5A06F *N--01B5A19M *O--01B5A11E *P--01B5A21M *Q--01B5A22M
- *V--01B5A06G *W--01B5A11F

COMMENTS
 ADD B21 C22 D22 B23 FOR
 PRINT EXPAND 132 POSITIONS.

TAG	DATE	E.C.NO.	TAG	DATE	E.C.NO.	TAG	DATE	E.C.NO.	TAG	DATE	E.C.NO.
A	10-01-60	109501J									



- *1--01B5A14N
- *2--01B5A06H
- *3--01B5A26Q
- *4--01B5A11G
- *5--01B5A16N
- *6--01B5A06J
- *A--01B5A15N
- *C--01B5A11H
- *D--01B5A18N
- *E--01B5A06K
- *G--01B5A17N
- *J--01B5A11J
- *K--01B5A20N
- *M--01B5A06L
- *N--01B5A19N
- *Q--01B5A11K
- *R--01B5A21N
- *T--01B5A22N
- *V--01B5A06M
- *W--01B5A11L



- #1--01B5A14P #3--01B5A06N #4--01B5A20R #6--01B5A11M #7--01B5A16P #9--01B5A06P
- #A--01B5A15P #C--01B5A11N #D--01B5A18P #E--01B5A06Q #G--01B5A17P #J--01B5A11P
- #K--01B5A20P #M--01B5A06R #N--01B5A19P #O--01B5A11Q #R--01B5A21P #Y--01B5A22P
- #V--01B5A07A #W--01B5A11R

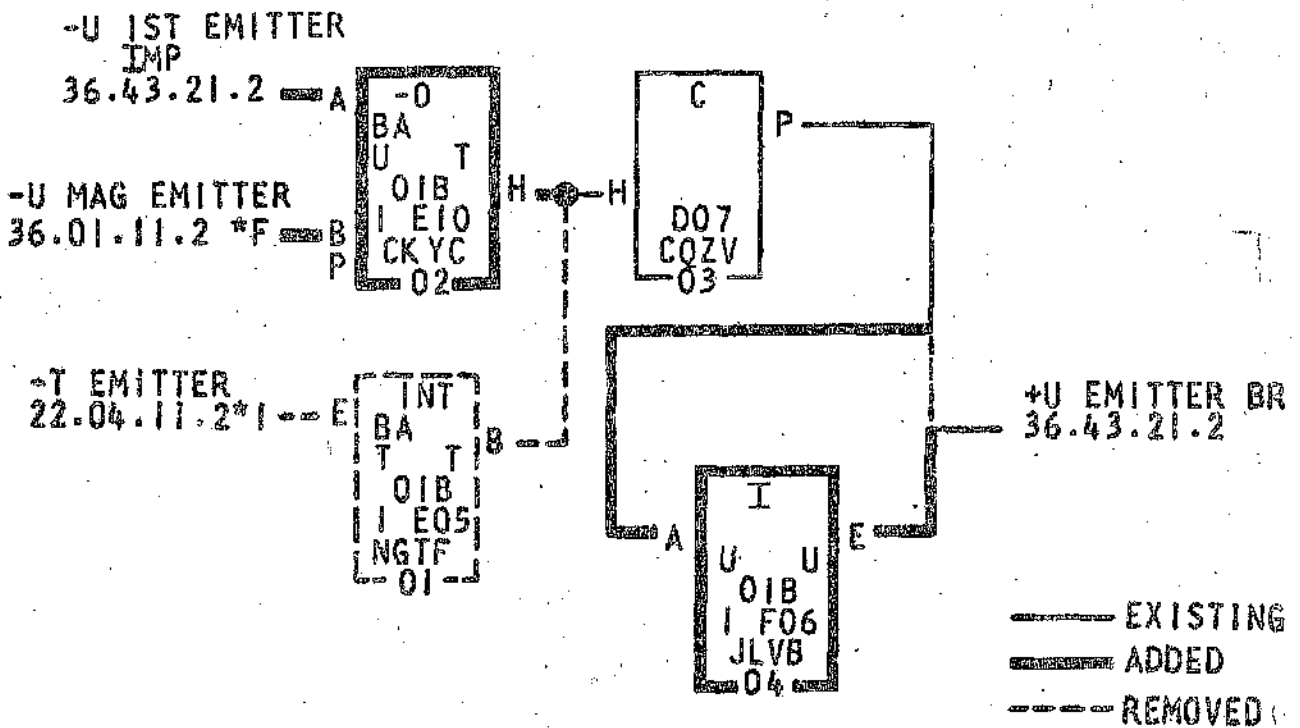
COMMENTS
 ADD D24 B25 C25 D25 B26 C26 D26
 FOR PRINT EXPAND 132 POSITIONS.

TAG DATE E.C.NO. TAG DATE E.C.NO. TAG DATE E.C.NO. TAG DATE E.C.NO.
 A 10-01-60 109501J

ADD CIRCUITRY FOR MAGNETIC EMITTER

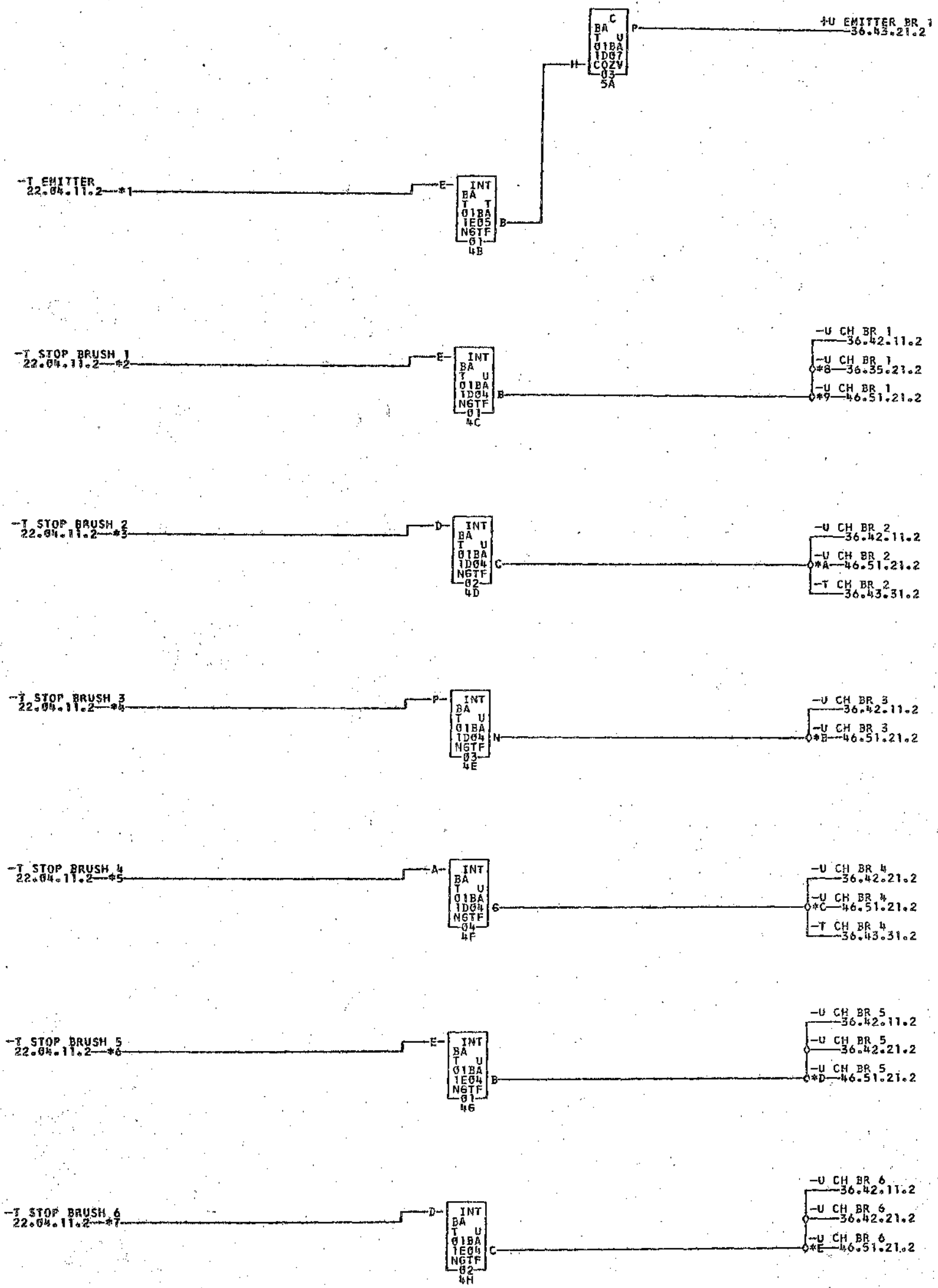
SHEET 7 OF 13

8.3 ALTER LOGIC 36.41.11.2 (724139), GATE 01B1, AS FOLLOWS:



*I - 01B1E01A
*F - 01B1E03H

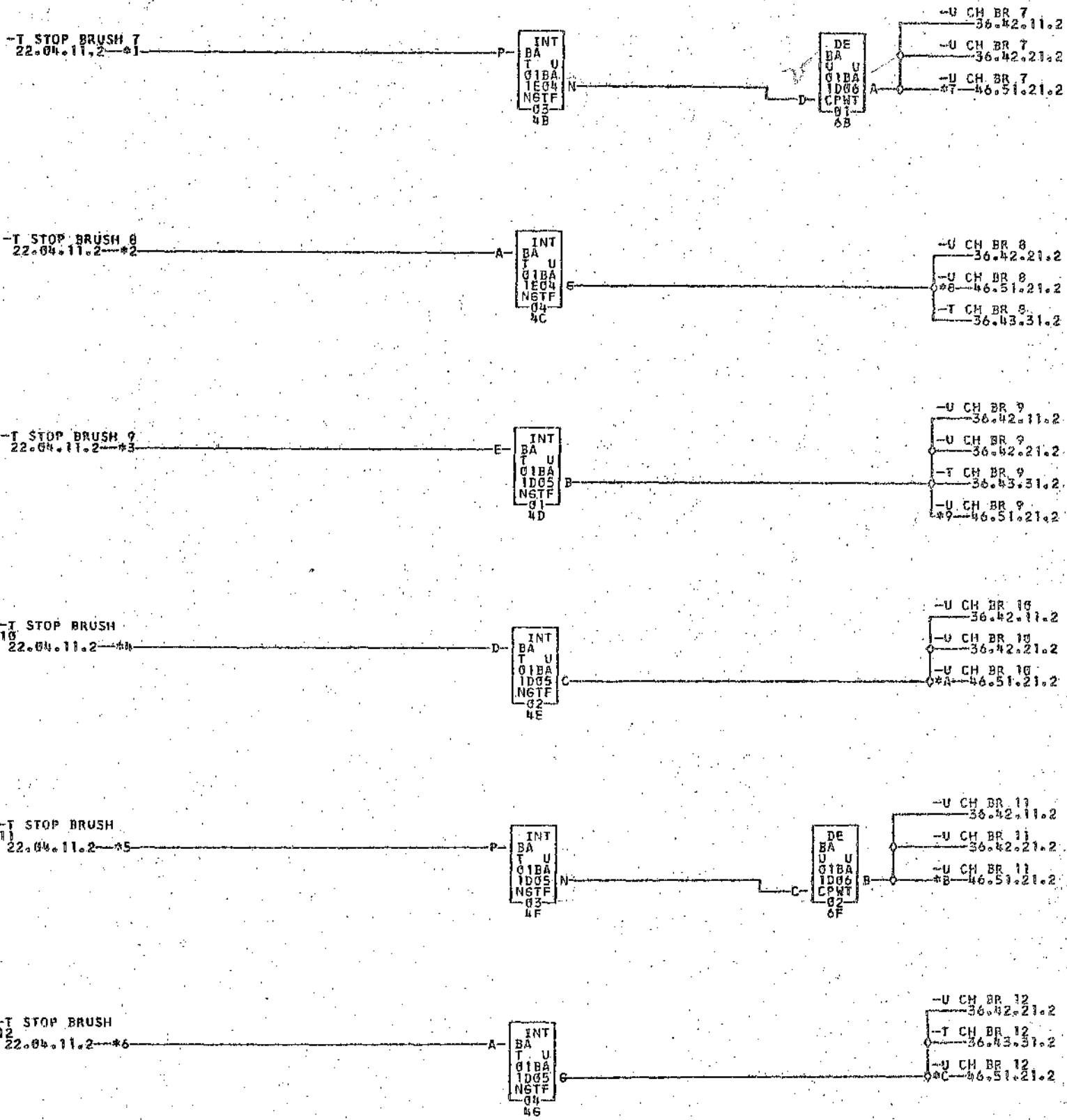
NO. CHANGE	DATE	1-23-63	3-25-63	5-21-63	7-2-63					DATE TYPED
	NO.	114052	117236	114052A	117969					



- *1-01B1E01A
- *2-01B1E01C
- *3-01B1E01D
- *4-01B1E01E
- *5-01B1E01F
- *6-01B1E01G
- *7-01B1E01H
- *8-01A5C25B
- *9-01A5C25C
- *A-01A5C25D
- *B-01B1F03A
- *C-01B1F03B
- *D-01B1F03C
- *E-01B1F03D
- *F-01A5C25E

COMMENTS

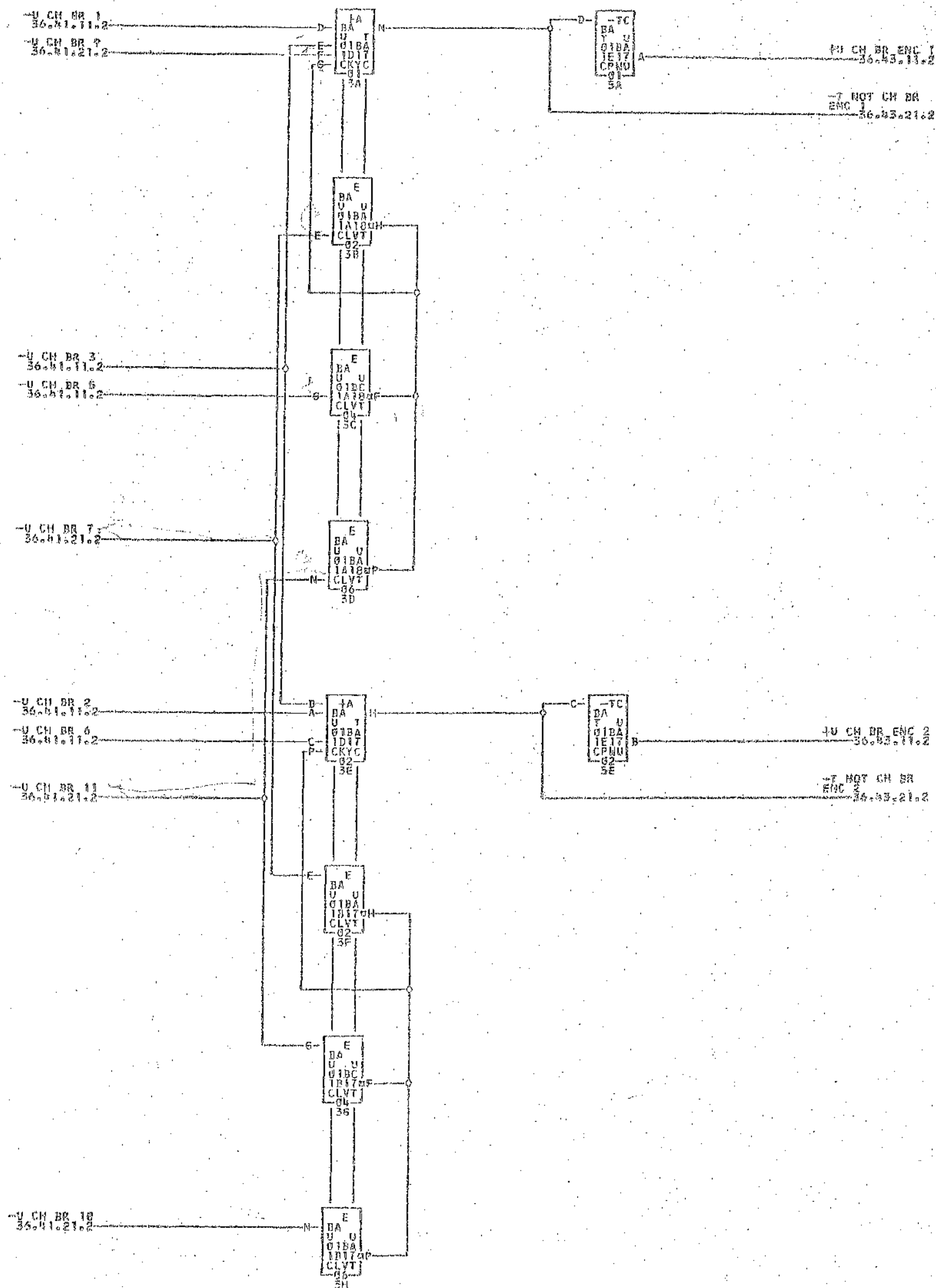
TAG	DATE	E.C.NO.	TAG	DATE	E.C.NO.	TAG	DATE	E.C.NO.	TAG	DATE	E.C.NO.
A	06-05-61	110320P	B	08-15-61	110324N	C	08-09-62	114040			



- *1—01B1E01J ——— 01B3D02J *2—01B1E01K ——— 01B3D02K *3—01B1E01L ——— 01B3D02L
- *4—01B1E01N ——— 01B3D02N *5—01B1E01O ——— 01B3D02O *6—01B1E01P ——— 01B3D02P
- *7—01B1F03G ——— 01A5C25G *8—01B1F03H ——— 01A5C25H *9—01B1F03J ——— 01A5C25J
- *A—01B1F03K ——— 01A5C25K *B—01B1F03L ——— 01A5C25L *C—01B1F03M ——— 01A5C25M

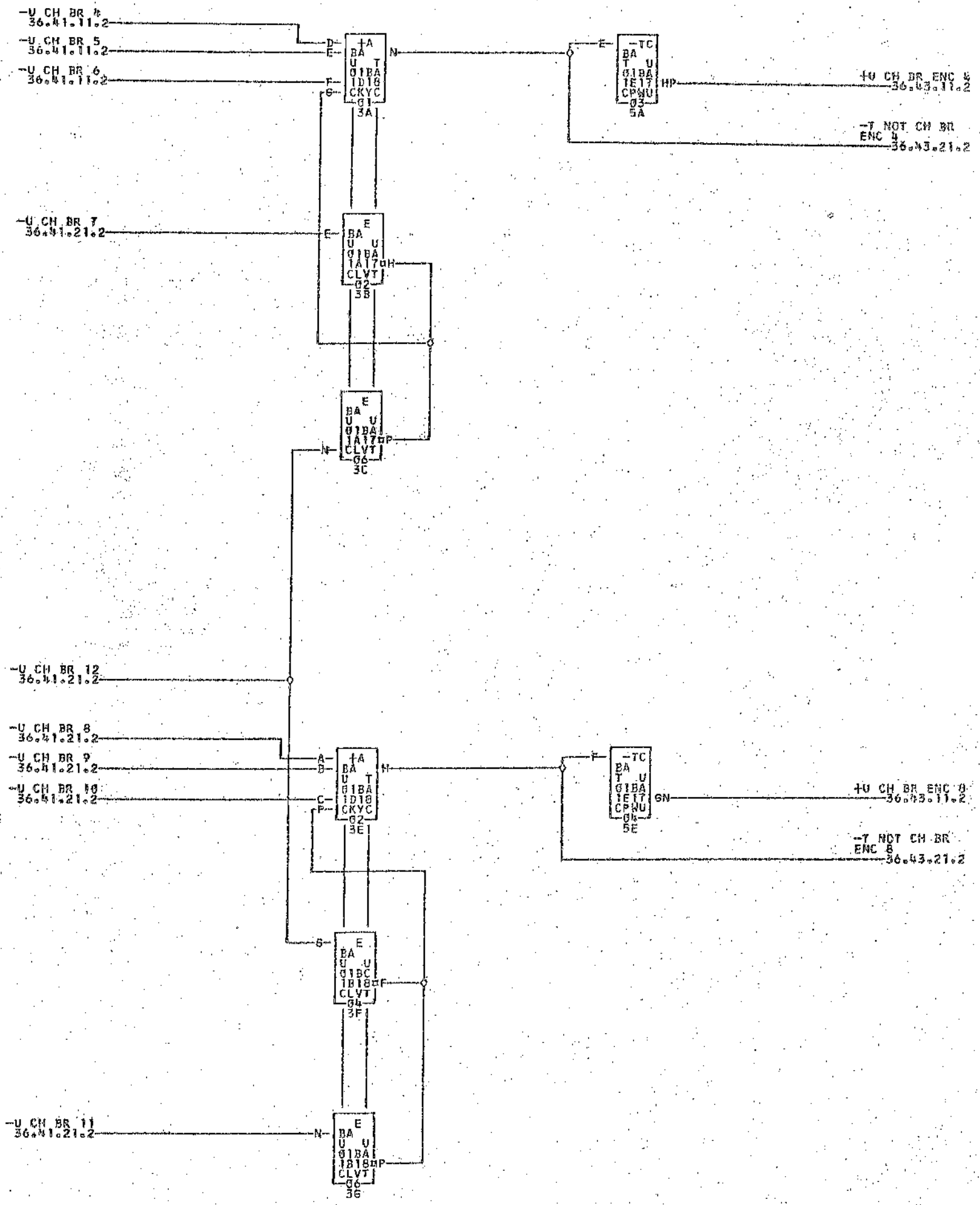
COMMENTS

TAG	DATE	E.C.NO.	TAG	DATE	E.C.NO.	TAG	DATE	E.C.NO.	TAG	DATE	E.C.NO.
A	06-05-61	110320P	B	08-15-61	110324N	C	12-21-62	114052			



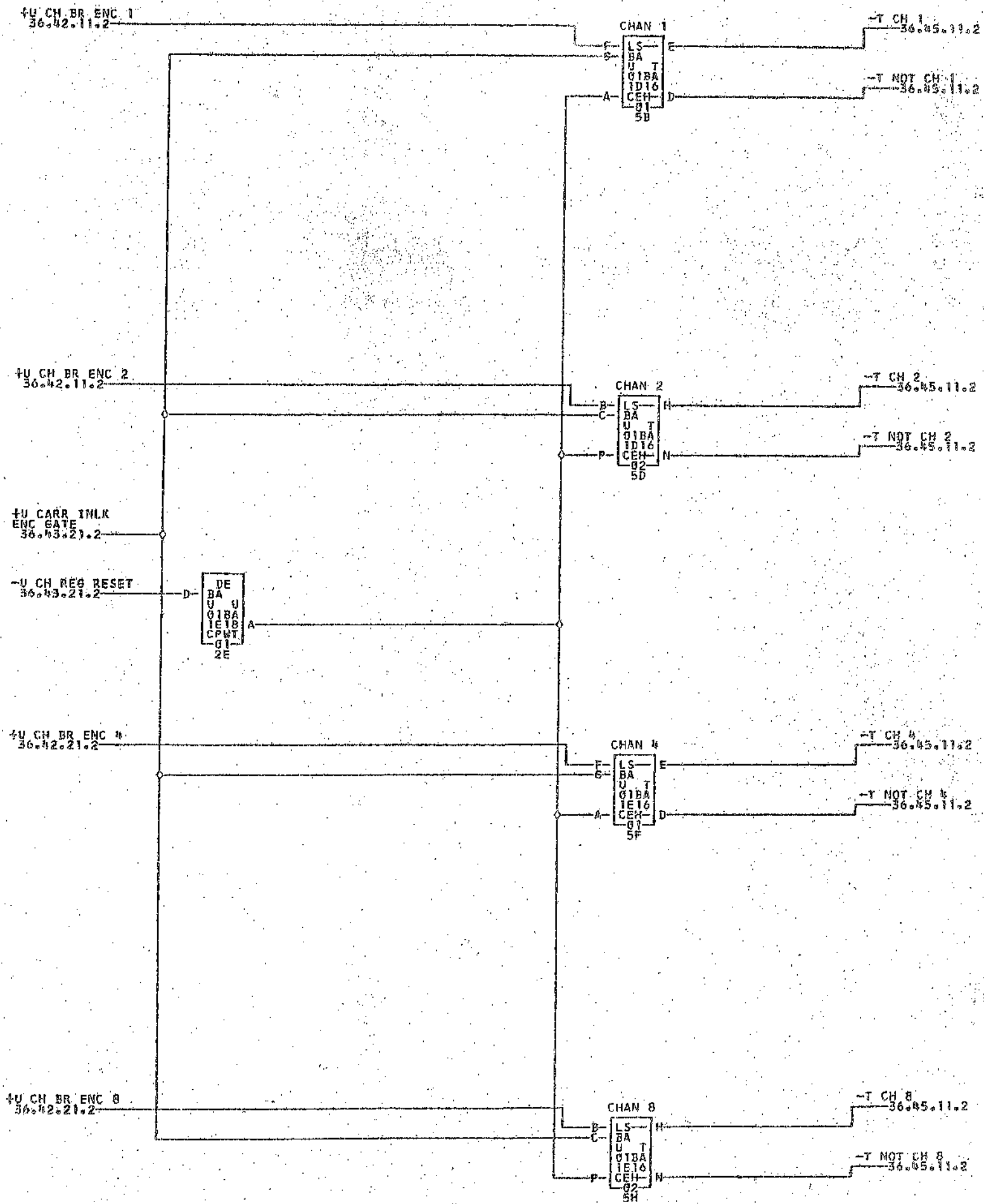
COMMENTS

TAG	DATE	E.C.NO.	TAG	DATE	E.C.NO.	TAG	DATE	E.C.NO.	TAG	DATE	E.C.NO.
A	06-05-61	110320P	B	00-15-61	110324N	C	12-21-62	114052			



COMMENTS

TAG	DATE	E.C.NO.	TAG	DATE	E.C.NO.	TAG	DATE	E.C.NO.	TAG	DATE	E.C.NO.
A	06-65-61	110320P	B	08-15-61	110324N	C	12-21-62	114052			



COMMENTS

TAG	DATE	E.C.NO.	TAG	DATE	E.C.NO.	TAG	DATE	E.C.NO.	TAG	DATE	E.C.NO.
A	06-05-61	118320P	B	12-21-62	114052						

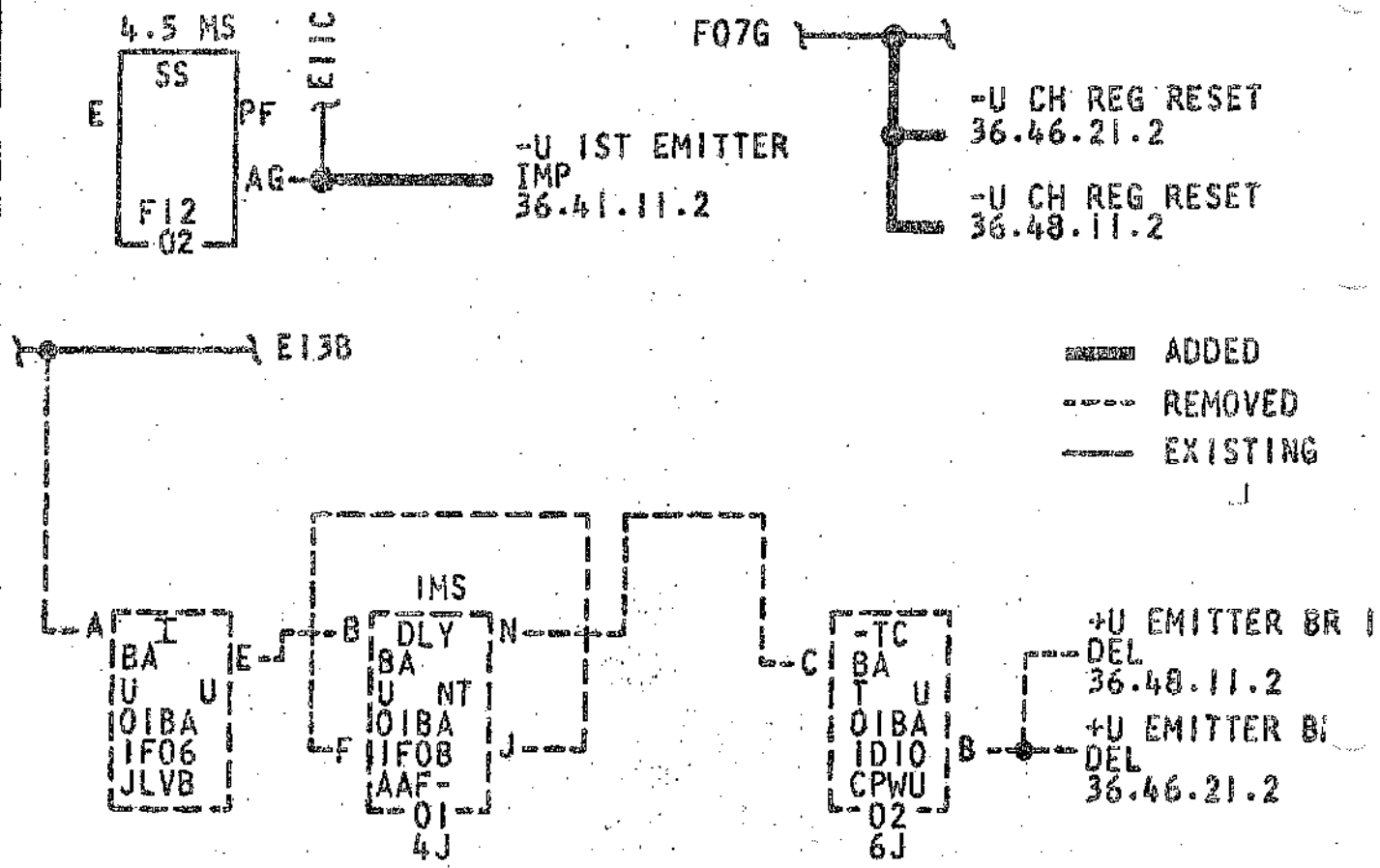
IBM INSTALLATION INSTRUCTIONS

NO. 485212

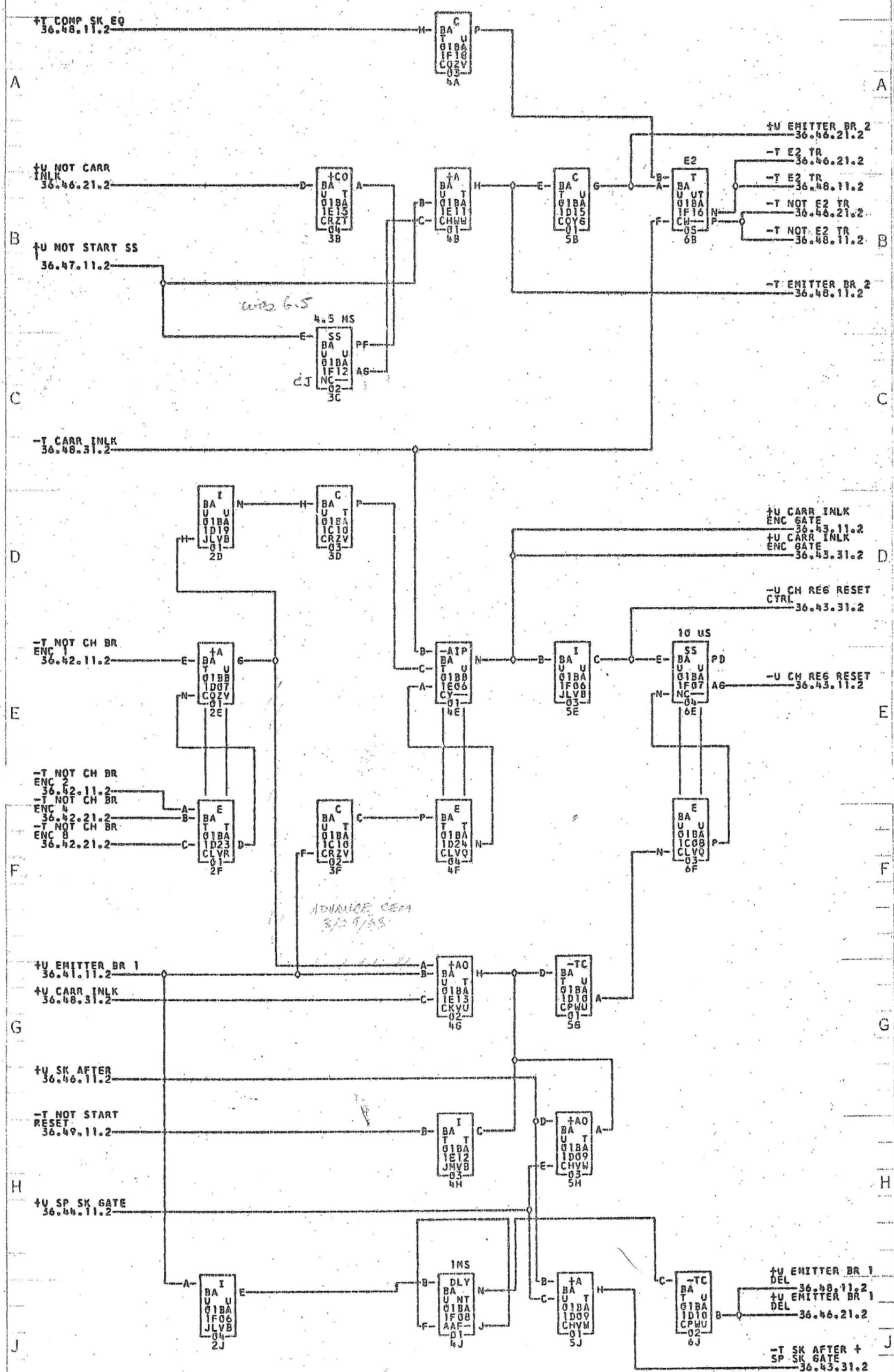
ADD CIRCUITRY FOR MAGNETIC EMITTER

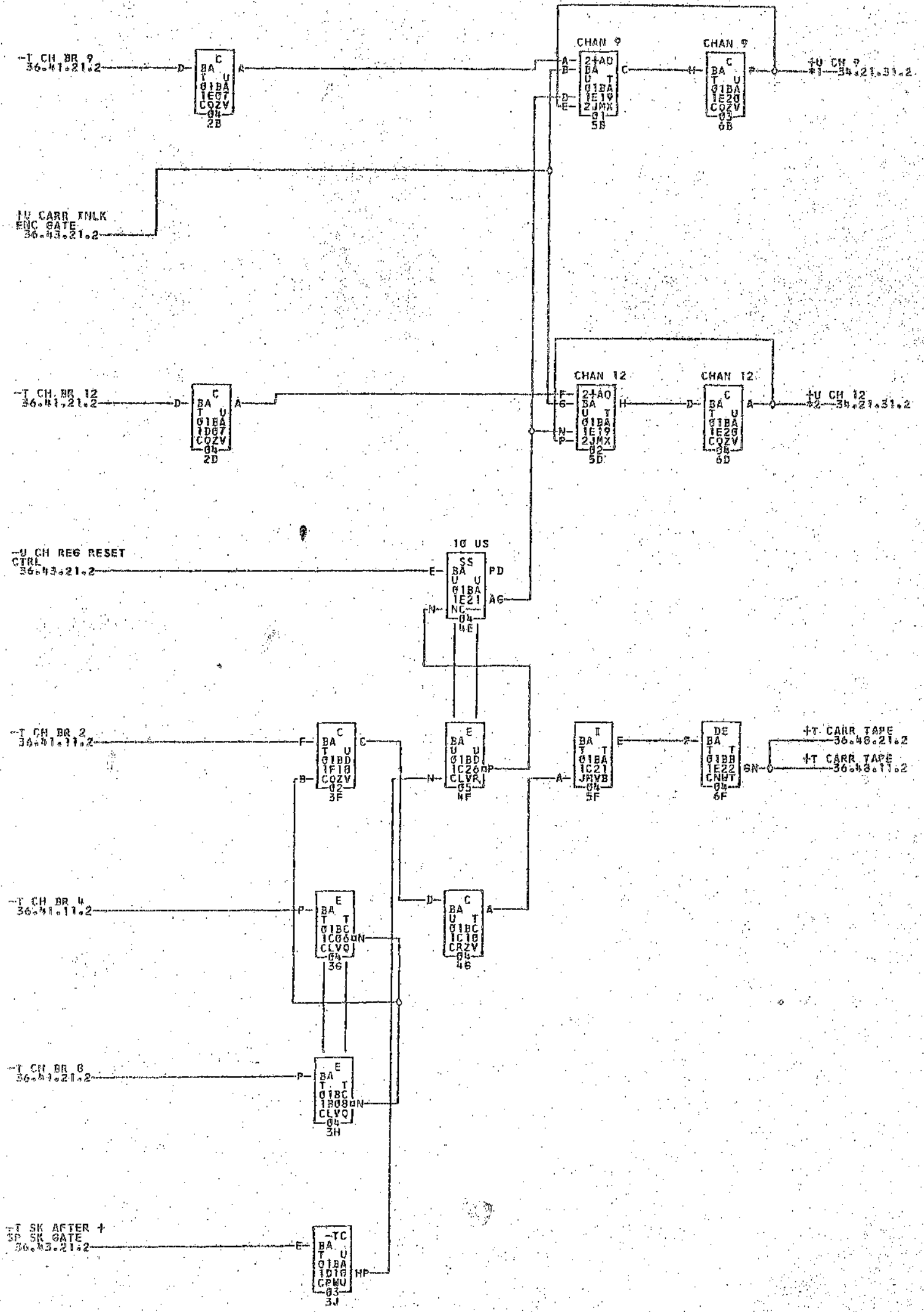
SHEET 8 OF 13

8.3.1 ALTER LOGIC 36.43.21.2 (724144) GATE OIBI AS FOLLOWS:



ENG. CHANGE	DATE	NO.	1-23-63	3-25-63	5-21-63	7-2-63	DATE TYPED
		114052	117236	114052A	117969		





*1--G1B1A02G *2--G1B1A02H

COMMENTS	TAG	DATE	E.C.NO.	TAG	DATE	E.C.NO.	TAG	DATE	E.C.NO.	TAG	DATE	E.C.NO.
	A	06-05-61	110320P	B	06-26-61	110320C	C	08-15-61	110324M	D	12-21-62	114052

INSTALLATION INSTRUCTIONS

NO. 408444

NAME

SHEET OF
-1-

REFERENCE (Drawing)	Fig.	8.2.6	ALTER LOGIC 36.44.11.2, GATE OIB1, AS FOLLOWS, FOR ALL MACHINES:
------------------------	------	-------	--

F

+A

OIB

IEIO

CKYC

OI

E

D

N

B

-A

OIB

IDI3

CGVW

H

C

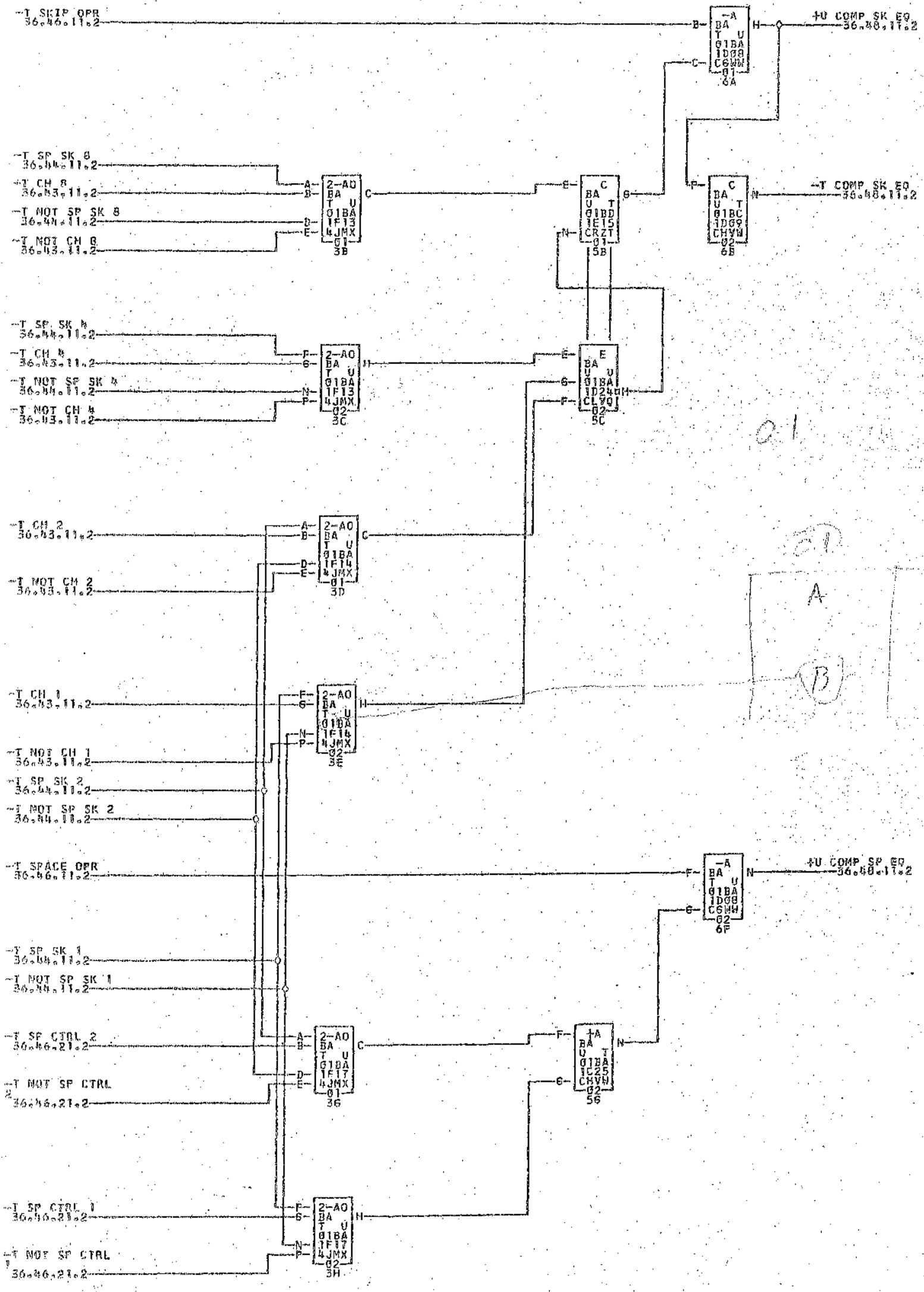
W-T FORMS OF
09.99.91.1

SIGNALS PRECEDED BY AN ASTERISK
INDICATE DIRECT CABLE EXPANSION

----- ADDED

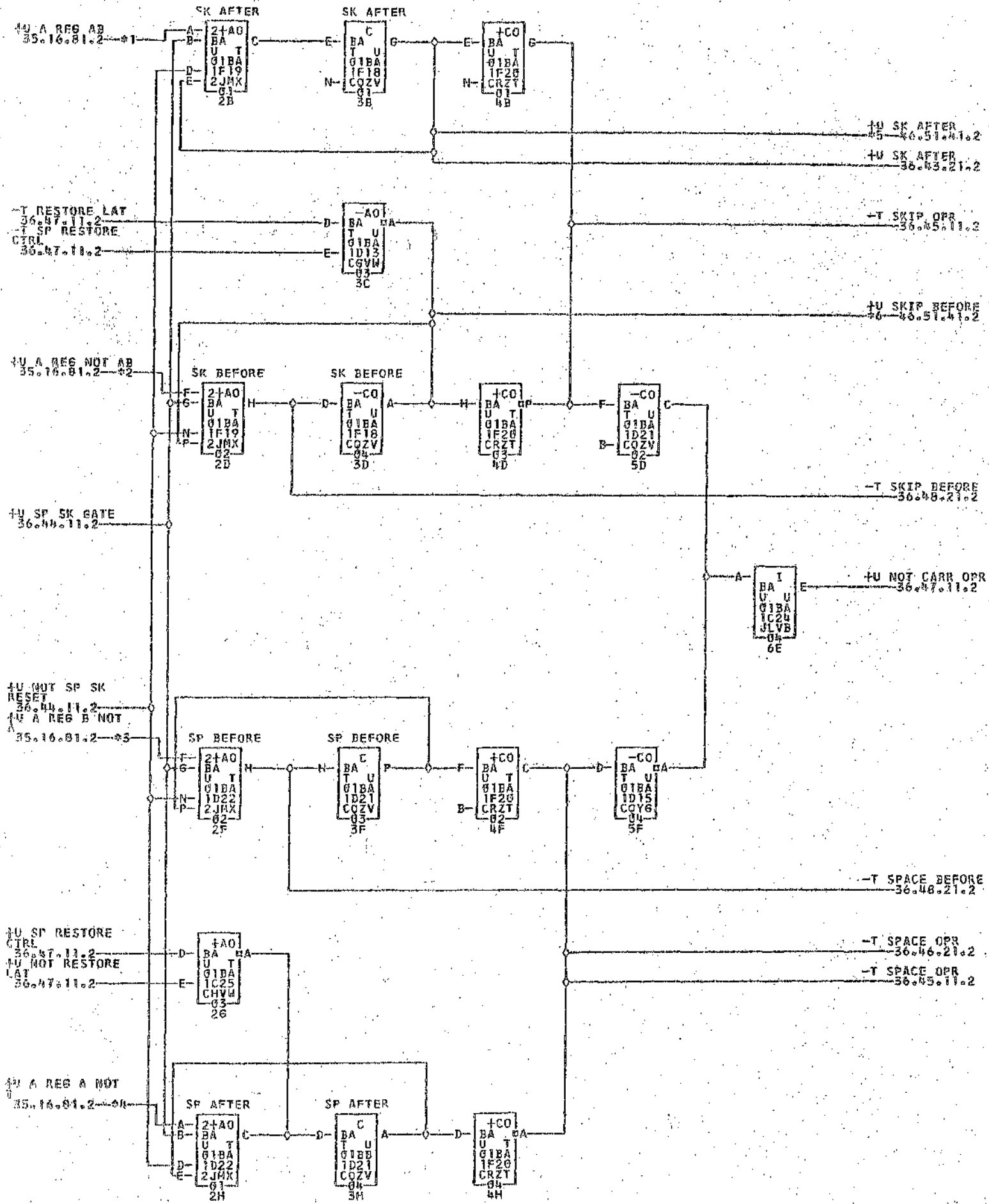
----- EXISTING

FIG. CHANGE	DATE	9-26-63	10-8-63						DATE TYPE
	NO.	118320	118320F	118320G					



COMMENTS

TAG	DATE	E.C.NO.	TAG	DATE	E.C.NO.	TAG	DATE	E.C.NO.	TAG	DATE	E.C.NO.
A	06-05-61	110320P	B	12-04-61	113422	C	02-27-62	115026	D	12-21-62	118052



*1-01B1B01K
*4-01B1B03L

*2-01B1B01L

*3-01B1B01J

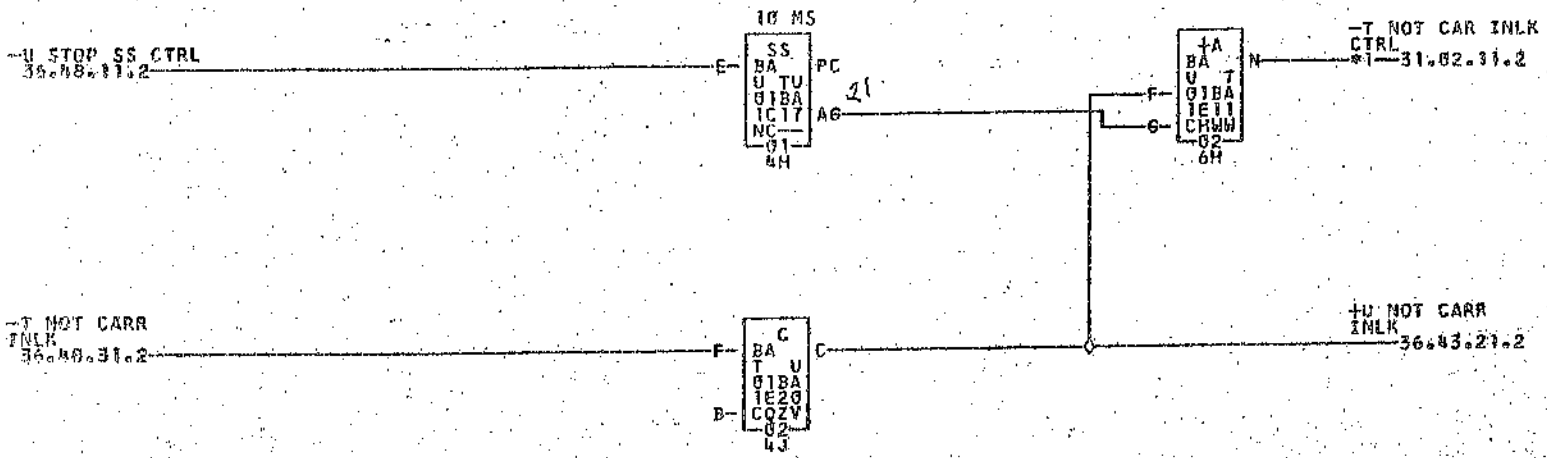
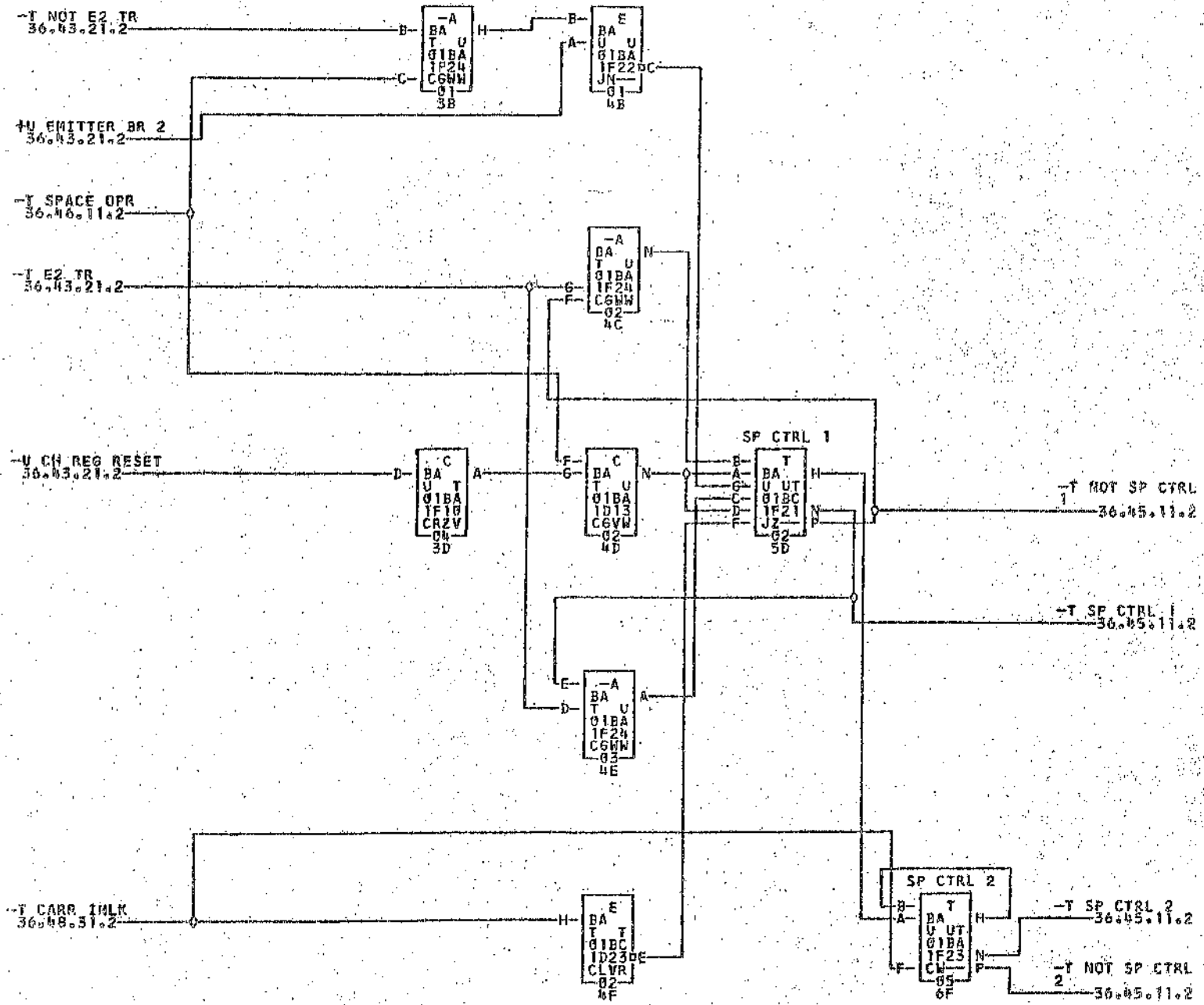
*4-01B1B01H

*5-01B1D03M

01A5B25M

COMMENTS

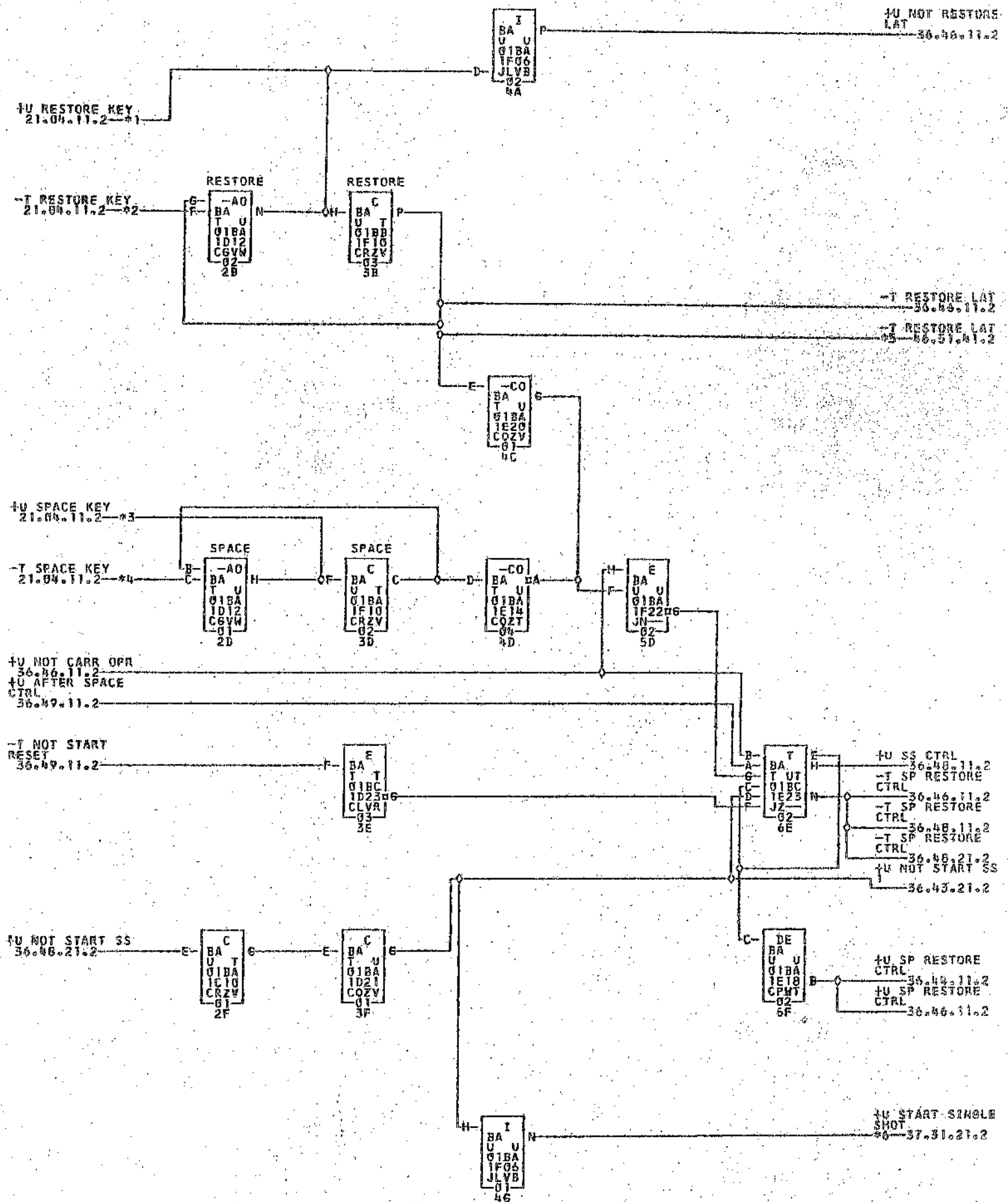
TAG	DATE	E.C.NO.	TAG	DATE	E.C.NO.	TAG	DATE	E.C.NO.	TAG	DATE	E.C.NO.
A	06-05-61	110320P	B	12-04-61	113422	C	12-21-62	114052			



01-01B10010

COMMENTS

TAG	DATE	E.C.NO.	TAG	DATE	E.C.NO.	TAG	DATE	E.C.NO.	TAG	DATE	E.C.NO.
A	06-03-61	110320P	B	12-04-61	113422	C	12-21-62	114052			



*1--01B1F01A
01A2A00N

*2--01B1F01B

*3--01B1F01C

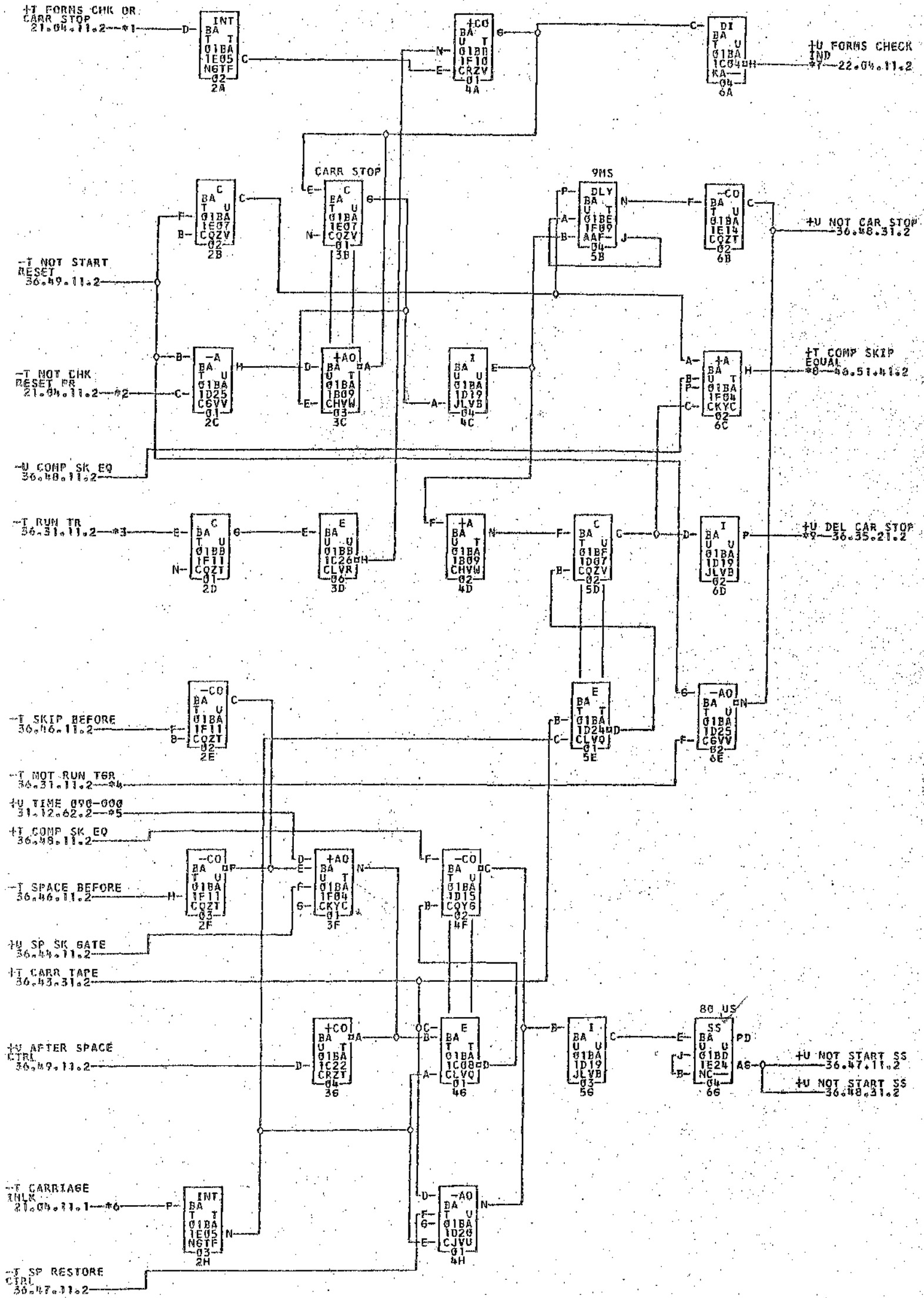
*4--01B1F01D

*5--01B1D03J

*6--01B1A01N

COMMENTS

TAG	DATE	E.C.NO.	TAG	DATE	E.C.NO.	TAG	DATE	E.C.NO.
A	06-05-61	110320P	B	08-15-61	110324N	C	12-21-62	114052



- *1--01B1E01P
- *2--01B1E03F
- *3--01B1E03N
- *4--01B1E03L
- *5--01B1B03E
- *6--01B1F01E
- *7--01B1E01B
- *8--01B1D03K
- *9--01B1E036

COMMENTS

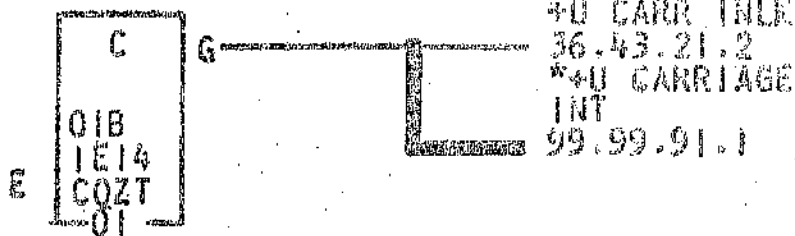
TAG	DATE	E.C.NO.	TAG	DATE	E.C.NO.	TAG	DATE	E.C.NO.	TAG	DATE	E.C.NO.
A	06-05-61	110320P	B	08-15-61	110324N	C	12-04-61	113422	D	02-19-62	114025
E	03-27-62	114030	F	12-21-62	114052						

INSTALLATION INSTRUCTIONS

NO. 486444

SHEET 1 OF 1

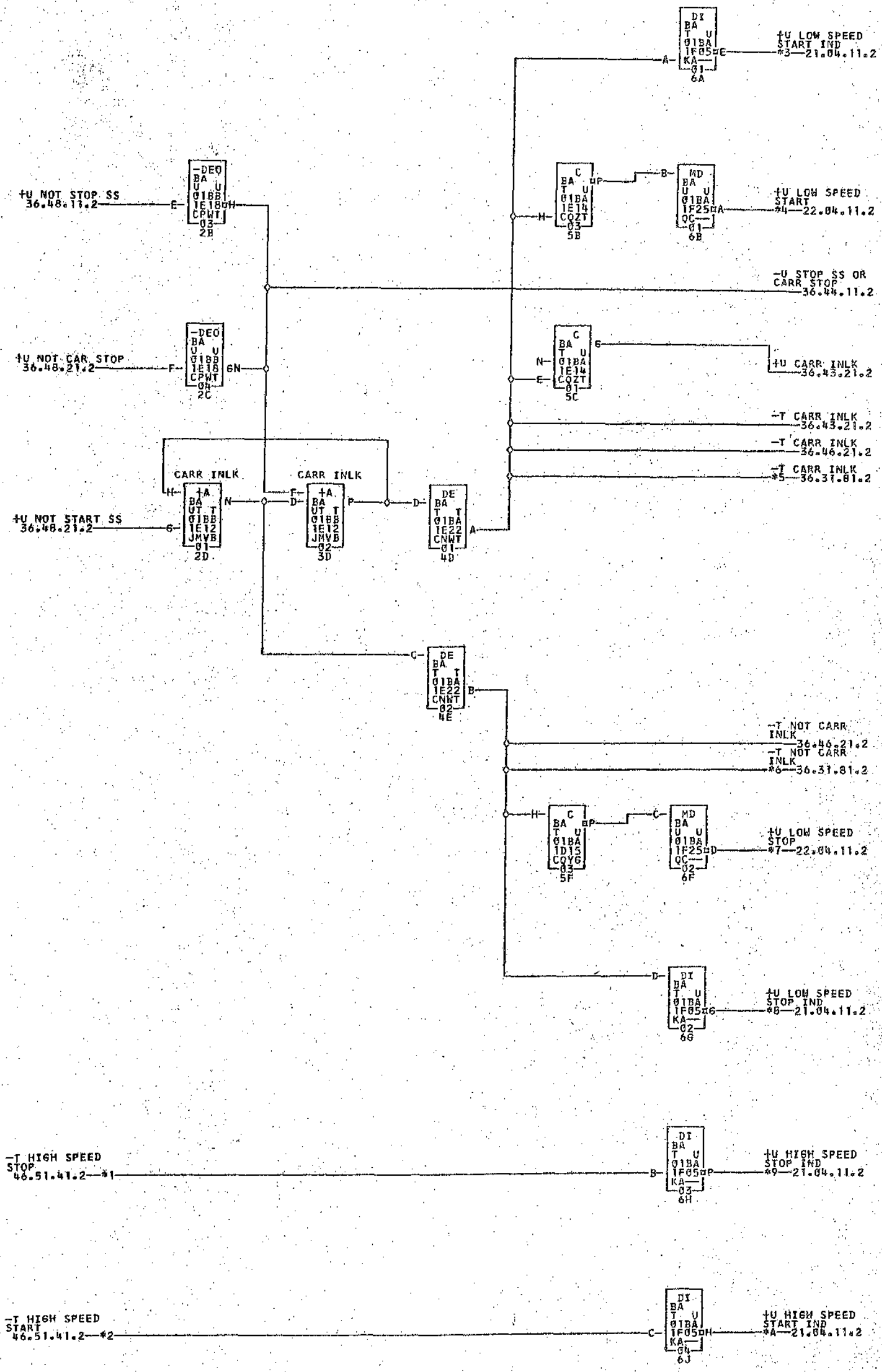
8.27 ALTER LOGIC 36.48.31.2, GATE OIB1, AS FOLLOWS, FOR ALL MACHINES:



SIGNALS PRECEDED BY AN ASTERISK INDICATE DIRECT CABLE EXPANSION

----- ADDED
 ----- EXISTING

NO.	DATE	NO.	DATE	NO.	DATE	NO.	DATE	NO.	DATE	NO.	DATE
118320	9-26-63	118320F	10-8-63	118320G							



- *1—01B1F030 *2—01B1F03N *3—01B1F01H *4—01B1E01Q *5—01B1E03B *6—01B1E03C
- *7—01B1E01R *8—01B1F01F *9—01B1F01G *A—01B1F01N

COMMENTS:

TA6	DATE	E.C.NO.	TA6	DATE	E.C.NO.	TA6	DATE	E.C.NO.	TA6	DATE	E.C.NO.
A	06-05-61	110320P	B	12-04-61	113422	C	12-21-62	114052			

-T TIME 030-060
31.12.12.2 *1

-T TIME 030-060
35.28.31.2

-T NOT I RING
OP
31.31.31.2 *2

-T NOT I RING
OP
35.21.11.2
-T NOT I RING
OP
35.28.31.2

-T NOT START
RESET
37.30.31.2 *3

-T NOT START
RESET
35.21.11.2
-T NOT START
RESET
36.43.21.2
-T NOT START
RESET
36.44.11.2
-T NOT START
RESET
36.47.11.2
-T NOT START
RESET
36.48.21.2
-T NOT START
RESET
35.31.31.2
+U AFTER SPACE
CTRL
36.47.11.2
+U AFTER SPACE
CTRL
36.48.21.2
+U AFTER SPACE
CTRL
36.49.21.2

+U AFTER SPACE
CTRL
36.31.71.2 *4

*1--01B1B03C

*2--01B1A02K

*3--01B1A01L

*4--01B1E03A

*5--01B1A02L

COMMENTS

TAG	DATE	E.C.NO.	TAG	DATE	E.C.NO.	TAG	DATE	E.C.NO.	TAG	DATE	E.C.NO.
A	06-05-61	110320P	B	12-21-62	114052						

-T BRANCH
34.21.41.2 *1

-T BRANCH
*D-70.11.41.2

+U NOT WRITE
CALL
70.51.31.2 *2

+U NOT WRITE
CALL
*E-35.30.31.2

-T WM OR C BIT
35.30.21.2 *3

-T WM OR C BIT
*F-70.51.21.2

+U AFTER SPACE
CTRL
36.49.11.2

+U AFTER SPACE
CTRL
*G-46.51.41.2

+U A REG NOT AB
35.16.81.2 *4

+U A REG NOT AB
*H-36.13.31.2

+U CLOCK CONT.
RANC
75.01.05.2 *5

+U CLOCK CONT.
RANC
*J-36.31.51.2

+U TIME 000-030
31.12.51.2 *6

+U TIME 000-030
*K-37.31.21.2

-T TIME 000-060
31.12.51.2 *7

-T TIME 000-060
*L-41.50.81.2

-T STORE CYCLE
2 ADDER CARRY
41.50.21.2 *8

-T STORE CYCLE
2 ADDER CARRY
*M-34.31.15.2

-T NOT INQ. A
INDEX BLOCK
77.30.21.2 *9

-T NOT INQ. A
INDEX BLOCK
*N-41.50.61.2

+U BLOCK D P
TURN ON
36.31.61.2 *A

+U BLOCK D P
TURN ON
*P-31.02.11.2

+U ADDR STOP
COMP SYNC
32.45.31.2 *B

+U ADDR STOP
COMP SYNC
*Q-75.01.03.2

-T DELTA B IO
31.02.31.2 *C

-T DELTA B IO
*R-36.31.31.2

*1-01B1A02M
*7-01B1E02Q
*D-01B1C05N
*K-01B1A01P
02B6C03N

*2-01B1C03Q
*8-01B1A036Q
*E-01B1A020Q
*L-01B1A050Q
*P-01B1D016

*3-01B1A02R
*9-01B1B02R
*F-01B1C03R
*M-01B1E02K
*Q-01B1A03P

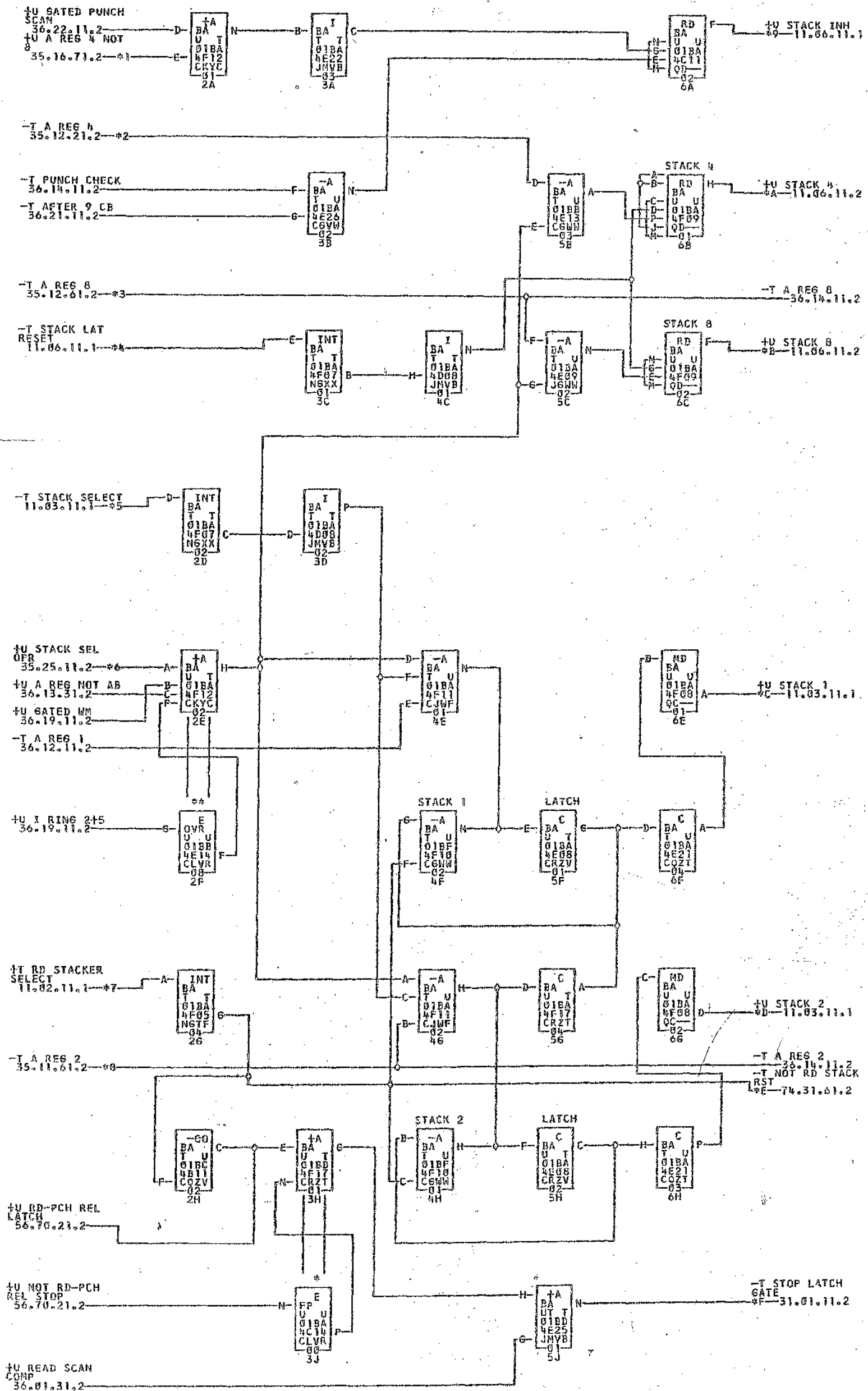
*4-01B1B01L
*A-01B1E03J
*G-01B1D03N
01B3D02K
*R-01B1E03M

*5-01B1A03M
*B-01B1E03P
*H-01B1D02N
*N-01B1A03N
01A6D24M

*6-01B1E02P
*C-01B1C01R
*J-01B1E03K
02A0F13A

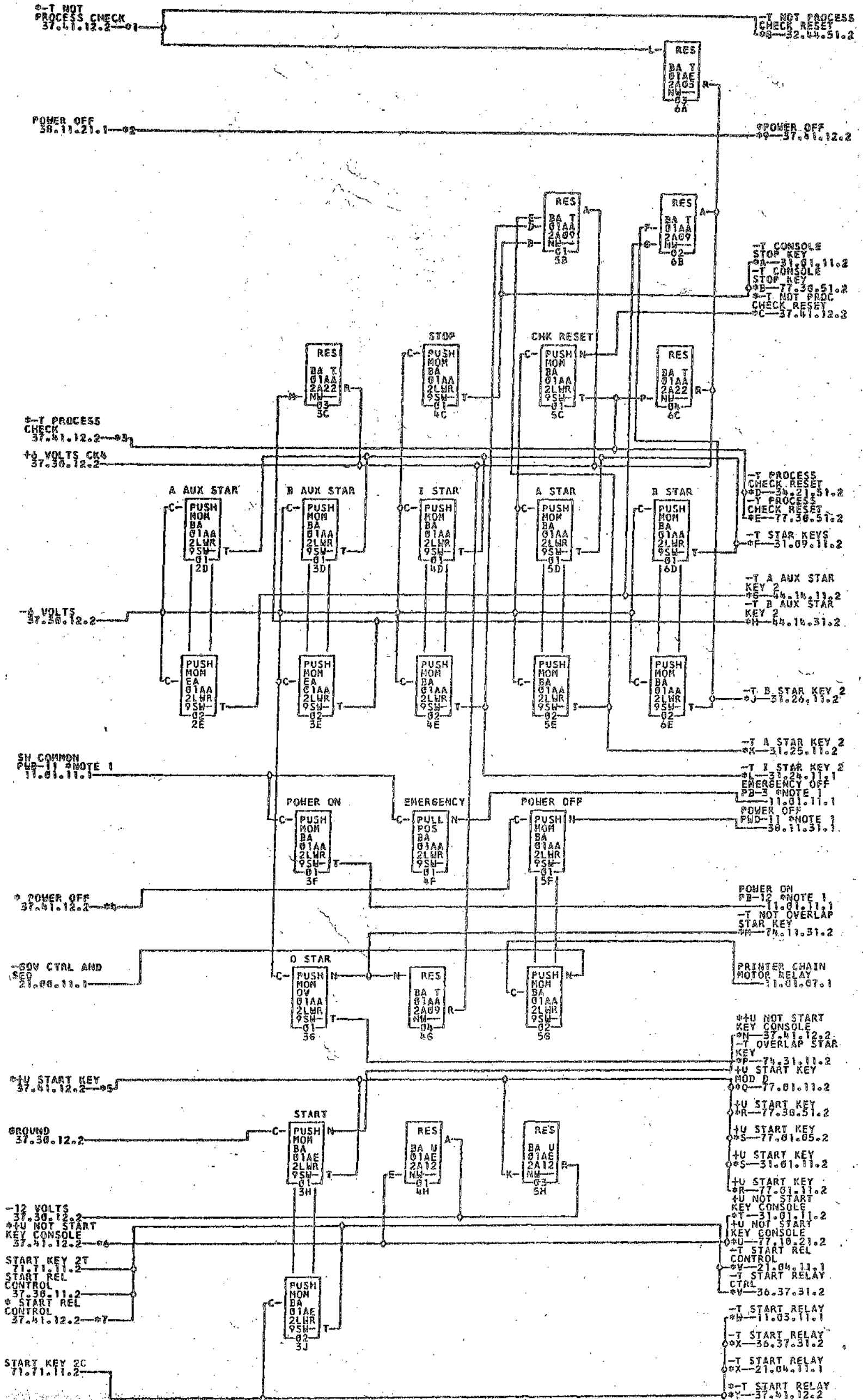
COMMENTS

TAG	DATE	E.C.NO.	TAG	DATE	E.C.NO.	TAG	DATE	E.C.NO.	TAG	DATE	E.C.NO.
A	06-05-61	110328P	B	06-26-61	110324C	C	08-15-61	110324N	D	09-25-61	112229
E	12-04-61	113422	F	02-27-62	114026	G	12-21-62	114052			



- *1—01B4B02G *2—01B4E03C *3—01B4E03D *4—01B4D01H *5—01B4C01P *6—01B4D03F
- *7—01B4C01E *8—01B4E03B *9—01B4D02D *A—01B4D02B *A—01B4D02B *B—01B4C02H
- *B—01B4D02C *C—01B4C02S *D—01B4C02H *D—01B4C02H *D—01B4C02H
- *E—01B4F04H *E—02A7A15C *F—01B4B01P *F—01B2A04P

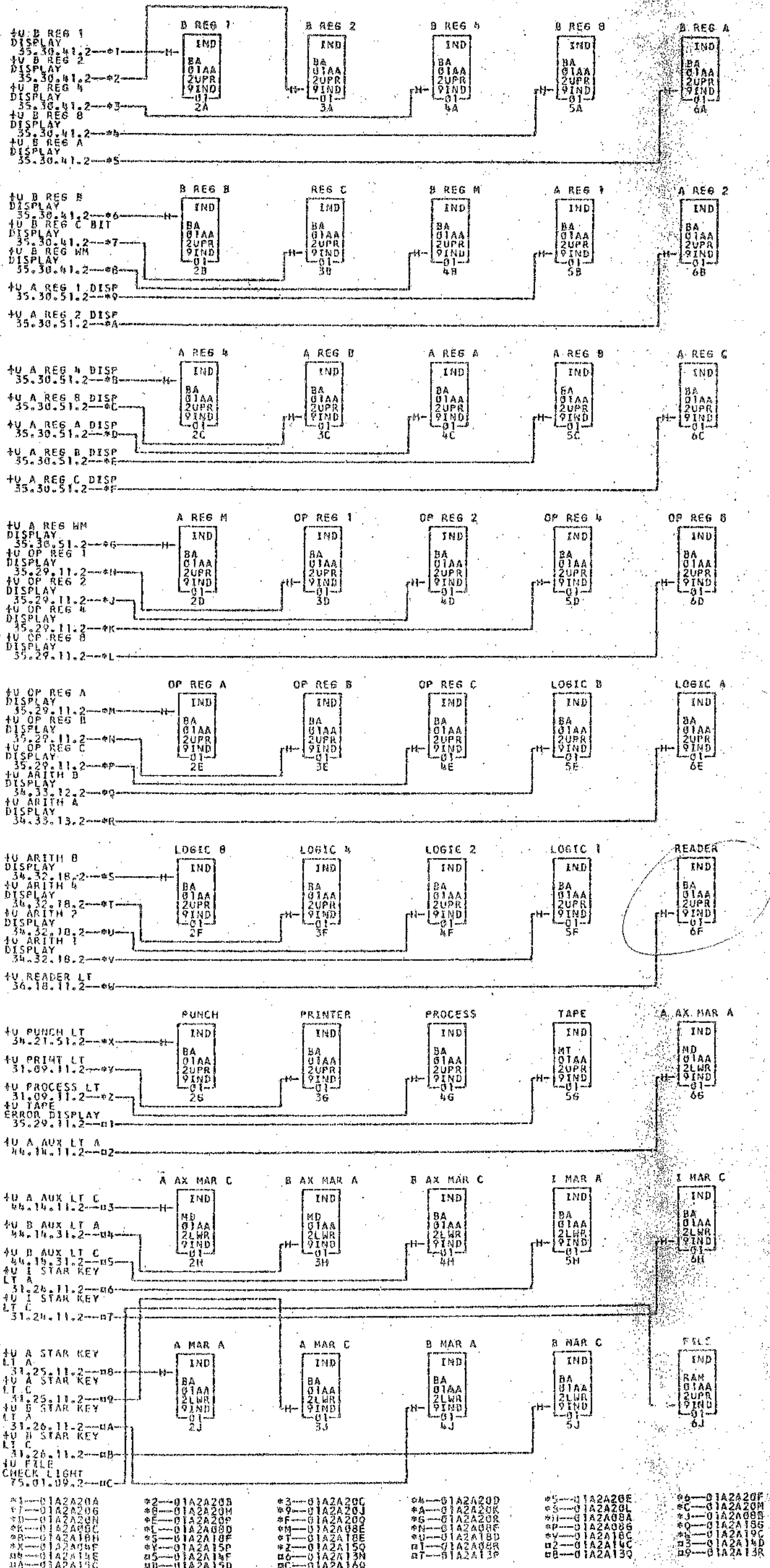
COMMENTS		TAG	DATE	E.C.NO.	TAG	DATE	E.C.NO.	TAG	DATE	E.C.NO.	TAG	DATE	E.C.NO.
*THIS CIRCUIT PRESENT WITH FEED PUNCH RELEASE OPTION ONLY		A	06-09-61	110320L	B	07-11-61	110324L	C	11-03-61	112902	D	12-06-61	113022
**THIS CIRCUIT PRESENT WITH PROCESS OVERLAP OPTION ONLY		E	02-05-62	113634	F	08-28-62	112922	G	11-12-62	114048			



*1-01A2A02E	01B0RC25	*2-02A0R0A1	*3-01A2A04H	*4-01B0RC23	*5-01B0RC71
*2-01A2A23L	01B0RC56	*6-01A2A23R	*7-01B0RC53	*6-01B0RC56	*8-01B0RC56
*3-01A2A02E	01A0C20E	*8-01B0RC70	*9-01A2A13K	*9-01B2F04K	*9-01A2A23P
*4-01B0A00T	*C-01B0RC24	*D-01A2A00M	*A-01B0A02M	*E-01A2A23B	*H-01B0A00J
*F-01A2A11E	01B2F03E	*S-01A2A14A	*T-02A9E09A	*K-02B7D02A	*M-01A2A14B
*G-02A9E11A	02B7D02B	*U-01A2A11L	*V-01B2F03L	*L-01A2A11H	*N-01B2F03H
*L-01A2A11G	01B2F036	*M-01A2A11R	*O-02A9F19A	*O-02B1E02R	*P-01B0RC52
*R-01A2A14M	02A9F11A	*N-02B1E02M	*Q-01A2A23L	*P-01B0A00F	*T-01B7D03R
*R-01A2A23L	01B0A00F	*S-02A8C24R	*S-01A2A13D	*R-01B2F04D	*T-01A2A13A
*F-01B2F04A	*U-01A2A23R	*V-01B0A00B	*V-01A2A07J	*S-01A0D20J	*T-01A0A26E
*H-01A2A19L	01B4A03U	*W-01B4D026	*X-01A2A07H	*U-01A0D20H	
*Y-01A2A19L	01B0RC55				

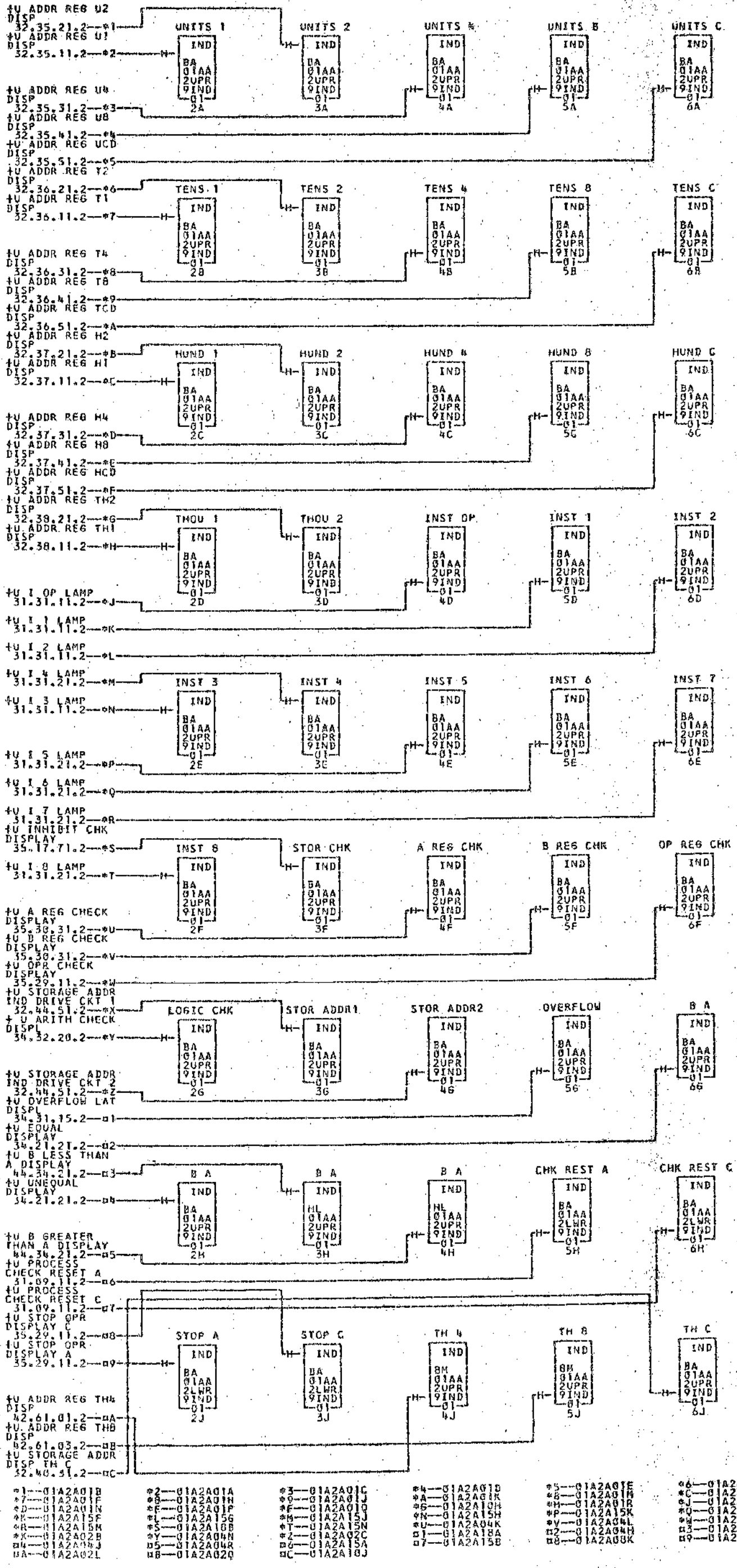
COMMENTS: NOTE-WHEN A SIGNAL IS PRECEDED BY AN ASTERISK, ITS EXPANSION INDICATES CABLE WIRING FOR REMOTE RECYCLE CONTROL INSTALLATION.

TAG DATE	E.C.NO.	TAG DATE	E.C.NO.	TAG DATE	E.C.NO.	TAG DATE	E.C.NO.
A 04-12-61	118320X	B 07-05-61	1103246	C 09-01-61	1103245	D 12-01-61	113622
E 08-28-62	114063						



COMMENTS: #2 TO #8 RETURN TO -20 VOLTS ON A24P AND A24Q ALL OTHERS RETURN TO -12 VOLTS ON A24A A24B AND A24C ON A24A

TAG DATE: A 04-12-61 E.C.NO. 110320X TAG DATE: B 12-01-61 E.C.NO. 113422

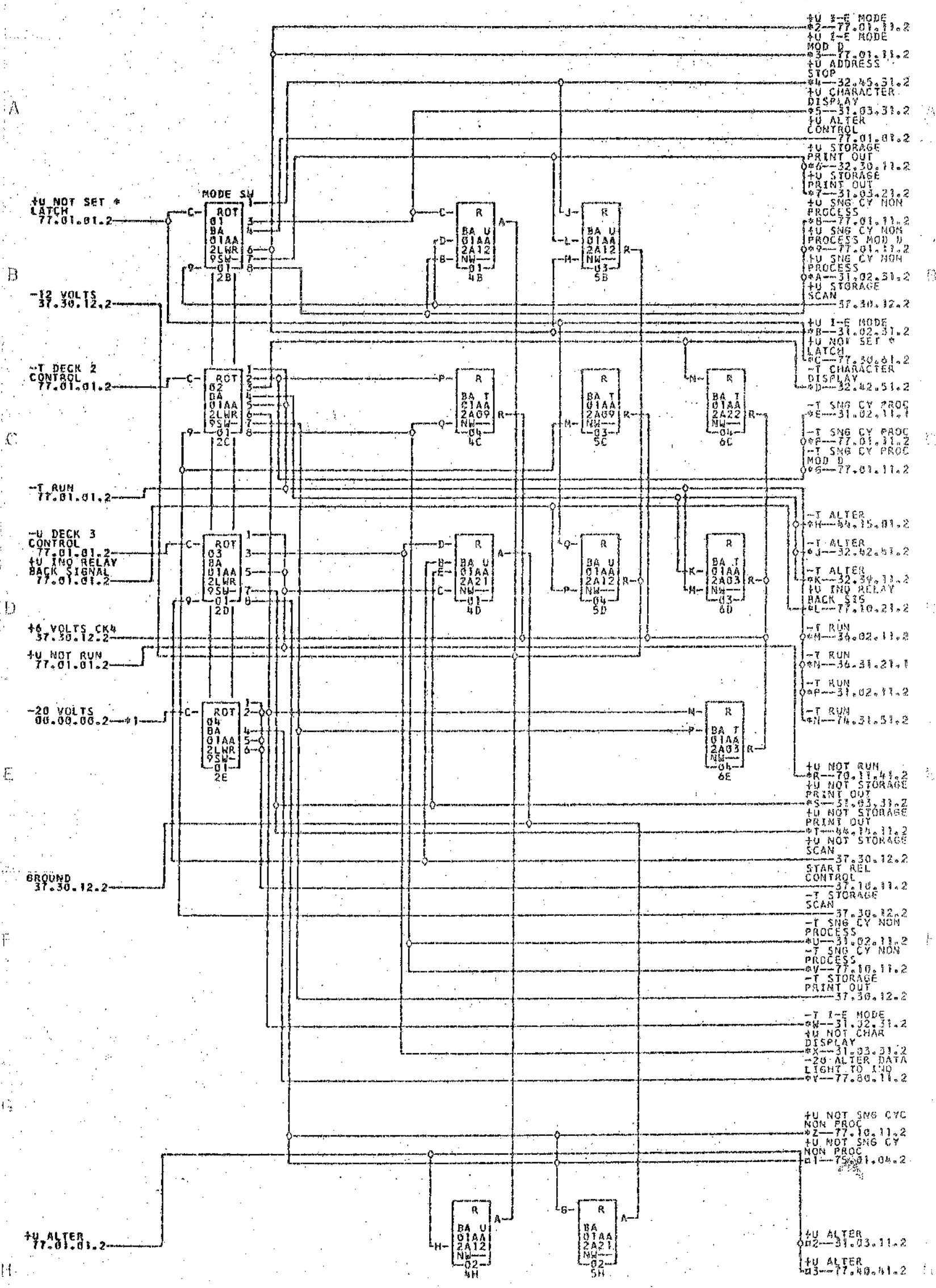


*1--01A2A01B	*2--01A2A01A	*3--01A2A01C	*4--01A2A01D	*5--01A2A01E	*6--01A2A01F
*7--01A2A01G	*8--01A2A01H	*9--01A2A01I	*A--01A2A01K	*B--01A2A01L	*C--01A2A01M
*D--01A2A01N	*E--01A2A01P	*F--01A2A01Q	*G--01A2A01R	*H--01A2A01S	*I--01A2A01T
*J--01A2A01U	*K--01A2A01V	*L--01A2A01W	*M--01A2A01X	*N--01A2A01Y	*O--01A2A01Z
*P--01A2A02A	*Q--01A2A02B	*R--01A2A02C	*S--01A2A02D	*T--01A2A02E	*U--01A2A02F
*V--01A2A02G	*W--01A2A02H	*X--01A2A02I	*Y--01A2A02J	*Z--01A2A02K	*AA--01A2A02L
*AB--01A2A02M	*AC--01A2A02N	*AD--01A2A02O	*AE--01A2A02P	*AF--01A2A02Q	*AG--01A2A02R
*AH--01A2A02S	*AI--01A2A02T	*AJ--01A2A02U	*AK--01A2A02V	*AL--01A2A02W	*AM--01A2A02X
*AN--01A2A02Y	*AO--01A2A02Z	*AP--01A2A03A	*AQ--01A2A03B	*AR--01A2A03C	*AS--01A2A03D
*AT--01A2A03E	*AU--01A2A03F	*AV--01A2A03G	*AW--01A2A03H	*AX--01A2A03I	*AY--01A2A03J
*AZ--01A2A03K	*BA--01A2A03L	*BB--01A2A03M	*BC--01A2A03N	*BD--01A2A03O	*BE--01A2A03P

COMMENTS: #3 #7 #8 #9 RETURN TO -20V ON A24P AND A24Q ALL OTHERS TO -12V ON A24A, A24B, AND A24C

TAG DATE E.C.NO. TAG DATE E.C.NO. TAG DATE E.C.NO. TAG DATE E.C.NO. TAG DATE E.C.NO.

A 06-12-61 110320X B 12-01-61 113422



*1-01A2A24P	*2-01A2A15R	02ABC240	*3-01A2A15R	01B7D03Q	*8-01A2A02H
01A8C24H	*5-01A2A17C	01B2F03C	*4-01A2A10B	01A7E25B	*7-01A2A13H
01B2F04N	*8-01A2A11B	02A0C24P	*9-01A2A11B	01B7D03P	*3-01A2A11B
01B2F03B	*B-01A2A15R	01B2C04R	*C-01A2A22C	01B8A00C	*D-01A2A02F
01A8C26F	*E-01A2A136	01B2F046	*F-01A2A136	02A8C24N	*6-01A2A136
01B7D03N	*H-01A2A14L	02A9F09A	02B7D02L	02A7A26K	02A7A26K
*J-01A2A02D	01A8C26D	*K-01A2A106	01A7E256	*L-01A2A23K	01B8A04H
*M-01A2A19R	01B4A03R	*N-01A2A07D	01A6D26D	01A6F23K	02A9A15F
02B1E02E	*P-01A2A13E	01B2F04E	01A2A18K	01B3F02K	01B3F03K
02A0L09E	02A2B24K	01B2F03K	*S-01A2A11K	01B2F03K	*T-01A2A11H
02A9T03A	02B7D02H	01B2F03Q	*U-01A2A13H	01B2F04H	*V-01A2A23E
01B8A00X	*N-01A2A13F	01B2F04F	*X-01A2A11Q	*Y-01A2A236	01B8A00K
*Z-01A2A23F	01B8A00N	*1-01A2A10H	01A7E25M	01A7A236	01A8A266
01A8C24R	02A9C11F	02ABC23R	*2-01A2A11A	*3-01A2A23A	01B8A00D

-T STORAGE
SCAN
37.30.11.2

-T STORAGE
SCAN
36.17.41.2
-T STORAGE
SCAN
31.09.11.2
-T STORAGE
SCAN
32.44.51.2
-T STORAGE
SCAN
37.31.11.2

+U NOT STORAGE
SCAN
37.30.11.2

+U NOT STORAGE
SCAN
31.25.11.2
+U NOT STORAGE
SCAN
34.14.11.2

-6 VOLTS
00.00.00.2 *1

-6 VOLTS
37.30.22.2
-6 VOLTS
37.30.11.2

-6 VOLTS
00.00.00.2 *2

-6 VOLTS
37.30.21.2
-6 VOLTS
37.10.11.2

-6 VOLTS
00.00.00.2 *3

-6 VOLTS
37.31.11.2
-6 VOLTS
37.30.31.2

+U STORAGE
SCAN
37.30.11.2

-6 VOLTS
37.01.01.2
+U STORAGE
SCAN
32.42.11.2
+U STORAGE
SCAN
31.03.31.2

+6 VOLTS CK3
00.00.00.2 *4

+6 VOLTS CK3
37.30.31.2
+6 VOLTS CK1
37.31.11.2

+6 VOLTS CK1
00.00.00.2 *5

+6 VOLTS CK2
00.00.00.2 *6

+6 VOLTS CK4
37.30.21.2
+6 VOLTS CK4
37.30.11.2

+6 VOLTS CK4
00.00.00.2 *7

+6 VOLTS CK4
37.10.11.2
+6 VOLTS CK4
37.30.22.2

-T STORAGE
PRINT OUT
37.30.11.2

+6 VOLTS CK4
37.31.11.2
-T STORAGE
PRINT OUT
36.31.01.2
-T STORAGE
PRINT OUT
31.20.11.2
-T STORAGE
PRINT OUT
32.33.31.2
-T STORAGE
PRINT OUT
37.31.11.2

-12 VOLTS
00.00.00.2 *8

-12 VOLTS
37.31.11.2
-12 VOLTS
37.10.11.2

-12 VOLTS
00.00.00.2 *9

-12 VOLTS
00.00.00.2 *A

-12 VOLTS
37.30.31.2
-12 VOLTS
37.30.11.2
-12 VOLTS
37.01.01.2

GROUND
00.00.00.2 *B

GROUND
37.30.31.2
GROUND
37.01.01.2

GROUND
00.00.00.2 *C

GROUND
37.31.11.2

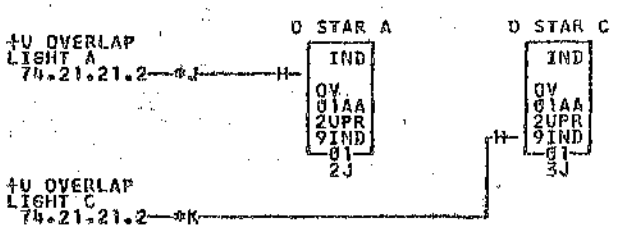
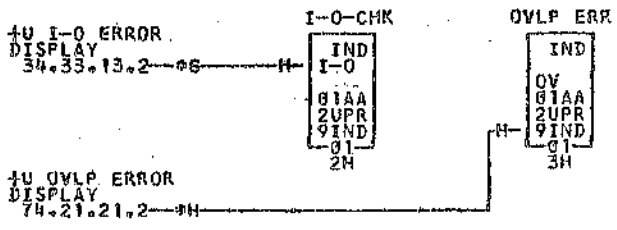
GROUND
00.00.00.2 *D

GROUND
37.10.11.2
GROUND
37.30.11.2

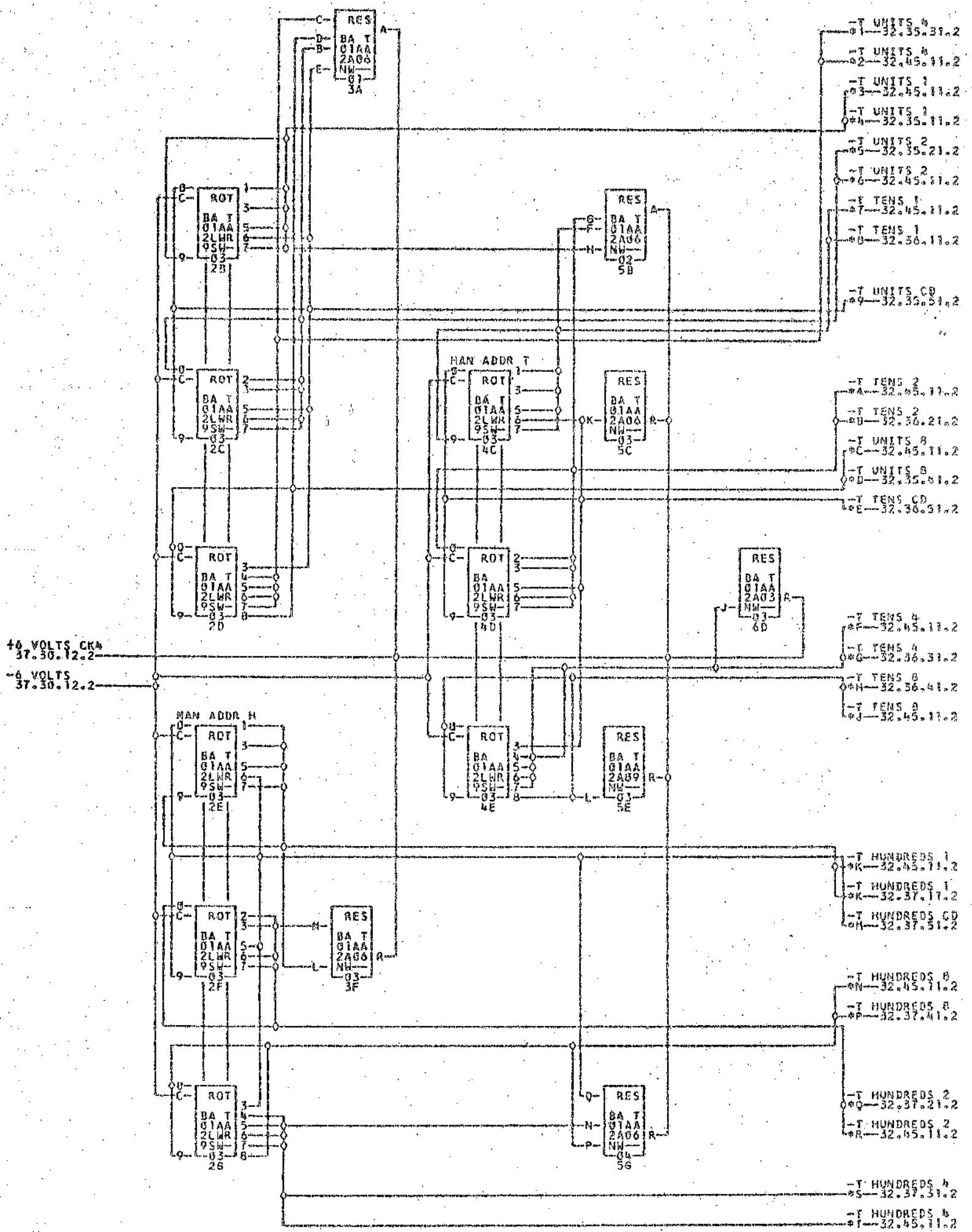
-T BLOCK OP
CHECK
37.10.11.2 *E

-T BLOCK OP
CHECK
35.29.31.2
-T TIME 000-030
31.12.12.2 *F

-T TIME 000-030
31.12.12.2 *F

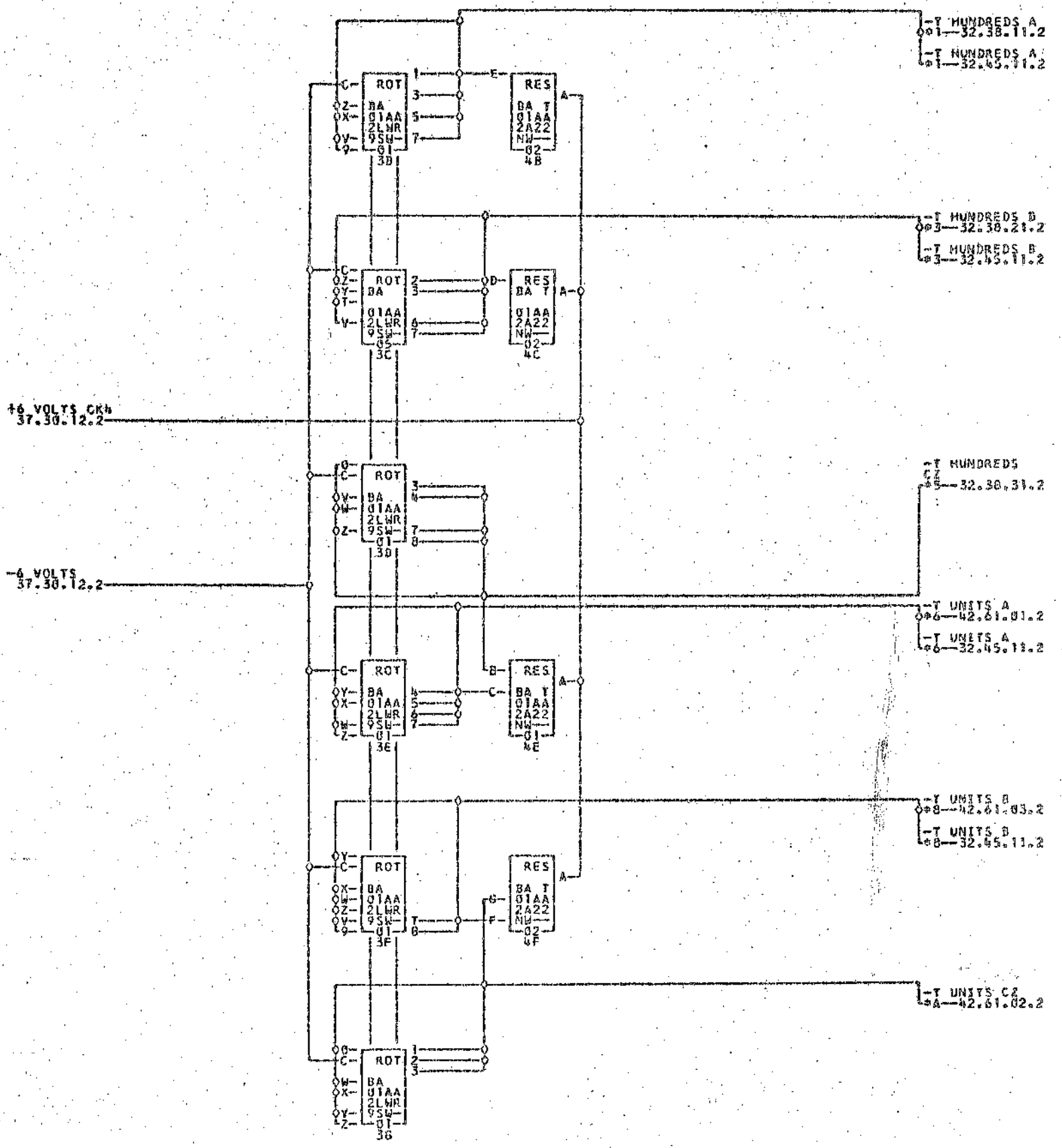


- *1-01A2A24D
- *2-01A2A28E
- *3-01A2A24F
- *4-01A2A24H
- *5-01A2A24N
- *6-01A2A24L
- *7-01A2A24K
- *8-01A2A24A
- *9-01A2A24B
- *A-01A2A24C
- *B-01A2A24G
- *C-01A2A24M
- *D-01A2A24J
- *E-01A2A24D
- *F-01A2A18L
- *G-01A2A18N
- *H-01A2A14N
- *I-01A2A14P
- *J-01A2A14Q
- *K-01A2A14R
- *L-01A2A14S
- *M-01A2A14T
- *N-01A2A14U
- *O-01A2A14V
- *P-01A2A14W
- *Q-01A2A14X
- *R-01A2A14Y
- *S-01A2A14Z
- *T-01A2A14AA
- *U-01A2A14AB
- *V-01A2A14AC
- *W-01A2A14AD
- *X-01A2A14AE
- *Y-01A2A14AF
- *Z-01A2A14AG
- *AA-01A2A14AH
- *AB-01A2A14AI
- *AC-01A2A14AJ
- *AD-01A2A14AK
- *AE-01A2A14AL
- *AF-01A2A14AM
- *AG-01A2A14AN
- *AH-01A2A14AO
- *AI-01A2A14AP
- *AJ-01A2A14AQ
- *AK-01A2A14AR
- *AL-01A2A14AS
- *AM-01A2A14AT
- *AN-01A2A14AU
- *AO-01A2A14AV
- *AP-01A2A14AW
- *AQ-01A2A14AX
- *AR-01A2A14AY
- *AS-01A2A14AZ
- *AT-01A2A14AA
- *AU-01A2A14AB
- *AV-01A2A14AC
- *AW-01A2A14AD
- *AX-01A2A14AE
- *AY-01A2A14AF
- *AZ-01A2A14AG
- *BA-01A2A14AH
- *BB-01A2A14AI
- *BC-01A2A14AJ
- *BD-01A2A14AK
- *BE-01A2A14AL
- *BF-01A2A14AM
- *BG-01A2A14AN
- *BH-01A2A14AO
- *BI-01A2A14AP
- *BJ-01A2A14AQ
- *BK-01A2A14AR
- *BL-01A2A14AS
- *BM-01A2A14AT
- *BN-01A2A14AU
- *BO-01A2A14AV
- *BP-01A2A14AW
- *BQ-01A2A14AX
- *BR-01A2A14AY
- *BS-01A2A14AZ
- *BT-01A2A14AA
- *BU-01A2A14AB
- *BV-01A2A14AC
- *BW-01A2A14AD
- *BX-01A2A14AE
- *BY-01A2A14AF
- *BZ-01A2A14AG
- *CA-01A2A14AH
- *CB-01A2A14AI
- *CC-01A2A14AJ
- *CD-01A2A14AK
- *CE-01A2A14AL
- *CF-01A2A14AM
- *CG-01A2A14AN
- *CH-01A2A14AO
- *CI-01A2A14AP
- *CJ-01A2A14AQ
- *CK-01A2A14AR
- *CL-01A2A14AS
- *CM-01A2A14AT
- *CN-01A2A14AU
- *CO-01A2A14AV
- *CP-01A2A14AW
- *CQ-01A2A14AX
- *CR-01A2A14AY
- *CS-01A2A14AZ
- *CT-01A2A14AA
- *CU-01A2A14AB
- *CV-01A2A14AC
- *CW-01A2A14AD
- *CX-01A2A14AE
- *CY-01A2A14AF
- *CZ-01A2A14AG
- *DA-01A2A14AH
- *DB-01A2A14AI
- *DC-01A2A14AJ
- *DD-01A2A14AK
- *DE-01A2A14AL
- *DF-01A2A14AM
- *DG-01A2A14AN
- *DH-01A2A14AO
- *DI-01A2A14AP
- *DJ-01A2A14AQ
- *DK-01A2A14AR
- *DL-01A2A14AS
- *DM-01A2A14AT
- *DN-01A2A14AU
- *DO-01A2A14AV
- *DP-01A2A14AW
- *DQ-01A2A14AX
- *DR-01A2A14AY
- *DS-01A2A14AZ
- *DT-01A2A14AA
- *DU-01A2A14AB
- *DV-01A2A14AC
- *DW-01A2A14AD
- *DX-01A2A14AE
- *DY-01A2A14AF
- *DZ-01A2A14AG
- *EA-01A2A14AH
- *EB-01A2A14AI
- *EC-01A2A14AJ
- *ED-01A2A14AK
- *EE-01A2A14AL
- *EF-01A2A14AM
- *EG-01A2A14AN
- *EH-01A2A14AO
- *EI-01A2A14AP
- *EJ-01A2A14AQ
- *EK-01A2A14AR
- *EL-01A2A14AS
- *EM-01A2A14AT
- *EN-01A2A14AU
- *EO-01A2A14AV
- *EP-01A2A14AW
- *EQ-01A2A14AX
- *ER-01A2A14AY
- *ES-01A2A14AZ
- *ET-01A2A14AA
- *EU-01A2A14AB
- *EV-01A2A14AC
- *EW-01A2A14AD
- *EX-01A2A14AE
- *EY-01A2A14AF
- *EZ-01A2A14AG
- *FA-01A2A14AH
- *FB-01A2A14AI
- *FC-01A2A14AJ
- *FD-01A2A14AK
- *FE-01A2A14AL
- *FF-01A2A14AM
- *FG-01A2A14AN
- *FH-01A2A14AO
- *FI-01A2A14AP
- *FJ-01A2A14AQ
- *FK-01A2A14AR
- *FL-01A2A14AS
- *FM-01A2A14AT
- *FN-01A2A14AU
- *FO-01A2A14AV
- *FP-01A2A14AW
- *FQ-01A2A14AX
- *FR-01A2A14AY
- *FS-01A2A14AZ
- *FT-01A2A14AA
- *FU-01A2A14AB
- *FV-01A2A14AC
- *FW-01A2A14AD
- *FX-01A2A14AE
- *FY-01A2A14AF
- *FZ-01A2A14AG
- *GA-01A2A14AH
- *GB-01A2A14AI
- *GC-01A2A14AJ
- *GD-01A2A14AK
- *GE-01A2A14AL
- *GF-01A2A14AM
- *GG-01A2A14AN
- *GH-01A2A14AO
- *GI-01A2A14AP
- *GJ-01A2A14AQ
- *GK-01A2A14AR
- *GL-01A2A14AS
- *GM-01A2A14AT
- *GN-01A2A14AU
- *GO-01A2A14AV
- *GP-01A2A14AW
- *GQ-01A2A14AX
- *GR-01A2A14AY
- *GS-01A2A14AZ
- *GT-01A2A14AA
- *GU-01A2A14AB
- *GV-01A2A14AC
- *GW-01A2A14AD
- *GX-01A2A14AE
- *GY-01A2A14AF
- *GZ-01A2A14AG
- *HA-01A2A14AH
- *HB-01A2A14AI
- *HC-01A2A14AJ
- *HD-01A2A14AK
- *HE-01A2A14AL
- *HF-01A2A14AM
- *HG-01A2A14AN
- *HH-01A2A14AO
- *HI-01A2A14AP
- *HJ-01A2A14AQ
- *HK-01A2A14AR
- *HL-01A2A14AS
- *HM-01A2A14AT
- *HN-01A2A14AU
- *HO-01A2A14AV
- *HP-01A2A14AW
- *HQ-01A2A14AX
- *HR-01A2A14AY
- *HS-01A2A14AZ
- *HT-01A2A14AA
- *HU-01A2A14AB
- *HV-01A2A14AC
- *HW-01A2A14AD
- *HX-01A2A14AE
- *HY-01A2A14AF
- *HZ-01A2A14AG
- *IA-01A2A14AH
- *IB-01A2A14AI
- *IC-01A2A14AJ
- *ID-01A2A14AK
- *IE-01A2A14AL
- *IF-01A2A14AM
- *IG-01A2A14AN
- *IH-01A2A14AO
- *II-01A2A14AP
- *IJ-01A2A14AQ
- *IK-01A2A14AR
- *IL-01A2A14AS
- *IM-01A2A14AT
- *IN-01A2A14AU
- *IO-01A2A14AV
- *IP-01A2A14AW
- *IQ-01A2A14AX
- *IR-01A2A14AY
- *IS-01A2A14AZ
- *IT-01A2A14AA
- *IU-01A2A14AB
- *IV-01A2A14AC
- *IW-01A2A14AD
- *IX-01A2A14AE
- *IY-01A2A14AF
- *IZ-01A2A14AG
- *JA-01A2A14AH
- *JB-01A2A14AI
- *JC-01A2A14AJ
- *JD-01A2A14AK
- *JE-01A2A14AL
- *JF-01A2A14AM
- *JG-01A2A14AN
- *JH-01A2A14AO
- *JI-01A2A14AP
- *JJ-01A2A14AQ
- *JK-01A2A14AR
- *JL-01A2A14AS
- *JM-01A2A14AT
- *JN-01A2A14AU
- *JO-01A2A14AV
- *JP-01A2A14AW
- *JQ-01A2A14AX
- *JR-01A2A14AY
- *JS-01A2A14AZ
- *JT-01A2A14AA
- *JU-01A2A14AB
- *JV-01A2A14AC
- *JW-01A2A14AD
- *JX-01A2A14AE
- *JY-01A2A14AF
- *JZ-01A2A14AG
- *KA-01A2A14AH
- *KB-01A2A14AI
- *KC-01A2A14AJ
- *KD-01A2A14AK
- *KE-01A2A14AL
- *KF-01A2A14AM
- *KG-01A2A14AN
- *KH-01A2A14AO
- *KI-01A2A14AP
- *KJ-01A2A14AQ
- *KK-01A2A14AR
- *KL-01A2A14AS
- *KM-01A2A14AT
- *KN-01A2A14AU
- *KO-01A2A14AV
- *KP-01A2A14AW
- *KQ-01A2A14AX
- *KR-01A2A14AY
- *KS-01A2A14AZ
- *KT-01A2A14AA
- *KU-01A2A14AB
- *KV-01A2A14AC
- *KW-01A2A14AD
- *KX-01A2A14AE
- *KY-01A2A14AF
- *KZ-01A2A14AG
- *LA-01A2A14AH
- *LB-01A2A14AI
- *LC-01A2A14AJ
- *LD-01A2A14AK
- *LE-01A2A14AL
- *LF-01A2A14AM
- *LG-01A2A14AN
- *LH-01A2A14AO
- *LI-01A2A14AP
- *LJ-01A2A14AQ
- *LK-01A2A14AR
- *LL-01A2A14AS
- *LM-01A2A14AT
- *LN-01A2A14AU
- *LO-01A2A14AV
- *LP-01A2A14AW
- *LQ-01A2A14AX
- *LR-01A2A14AY
- *LS-01A2A14AZ
- *LT-01A2A14AA
- *LU-01A2A14AB
- *LV-01A2A14AC
- *LW-01A2A14AD
- *LX-01A2A14AE
- *LY-01A2A14AF
- *LZ-01A2A14AG
- *MA-01A2A14AH
- *MB-01A2A14AI
- *MC-01A2A14AJ
- *MD-01A2A14AK
- *ME-01A2A14AL
- *MF-01A2A14AM
- *MG-01A2A14AN
- *MH-01A2A14AO
- *MI-01A2A14AP
- *MJ-01A2A14AQ
- *MK-01A2A14AR
- *ML-01A2A14AS
- *MM-01A2A14AT
- *MN-01A2A14AU
- *MO-01A2A14AV
- *MP-01A2A14AW
- *MQ-01A2A14AX
- *MR-01A2A14AY
- *MS-01A2A14AZ
- *MT-01A2A14AA
- *MU-01A2A14AB
- *MV-01A2A14AC
- *MW-01A2A14AD
- *MX-01A2A14AE
- *MY-01A2A14AF
- *MZ-01A2A14AG
- *NA-01A2A14AH
- *NB-01A2A14AI
- *NC-01A2A14AJ
- *ND-01A2A14AK
- *NE-01A2A14AL
- *NF-01A2A14AM
- *NG-01A2A14AN
- *NH-01A2A14AO
- *NI-01A2A14AP
- *NJ-01A2A14AQ
- *NK-01A2A14AR
- *NL-01A2A14AS
- *NM-01A2A14AT
- *NN-01A2A14AU
- *NO-01A2A14AV
- *NP-01A2A14AW
- *NQ-01A2A14AX
- *NR-01A2A14AY
- *NS-01A2A14AZ
- *NT-01A2A14AA
- *NU-01A2A14AB
- *NV-01A2A14AC
- *NW-01A2A14AD
- *NX-01A2A14AE
- *NY-01A2A14AF
- *NZ-01A2A14AG
- *OA-01A2A14AH
- *OB-01A2A14AI
- *OC-



*S1-O1A2A05C	-----O1A7E26C	*2-O1A2A05C	-----O1A8F25C	*3-O1A2A05A	-----O1A8F25A
*S2-O1A2A05A	-----O1A7E26A	*3-O1A2A05B	-----O1A7E26B	*4-O1A2A05B	-----O1A8F25B
*S3-O1A2A05F	-----O1A8F25F	*4-O1A2A05F	-----O1A7E26F	*5-O1A2A05E	-----O1A7E26E
*S4-O1A2A05G	-----O1A8F25G	*5-O1A2A05G	-----O1A7E26G	*6-O1A2A05D	-----O1A8F25D
*S5-O1A2A05D	-----O1A7E26D	*6-O1A2A05K	-----O1A7E26K	*7-O1A2A05H	-----O1A8F25H
*S6-O1A2A05N	-----O1A7E26H	*7-O1A2A05J	-----O1A7E26J	*8-O1A2A05J	-----O1A8F25J
*S7-O1A2A05L	-----O1A8F25L	*8-O1A2A05Q	-----O1A7E26Q	*9-O1A2A05Q	-----O1A8F25Q
*S8-O1A8F25M	-----O1A7E26M	*9-O1A2A05M	-----O1A7E26M	*0-O1A2A05M	-----O1A8F25M
*S9-O1A8F25M	-----O1A7E26M	*0-O1A2A05N	-----O1A8F25N		

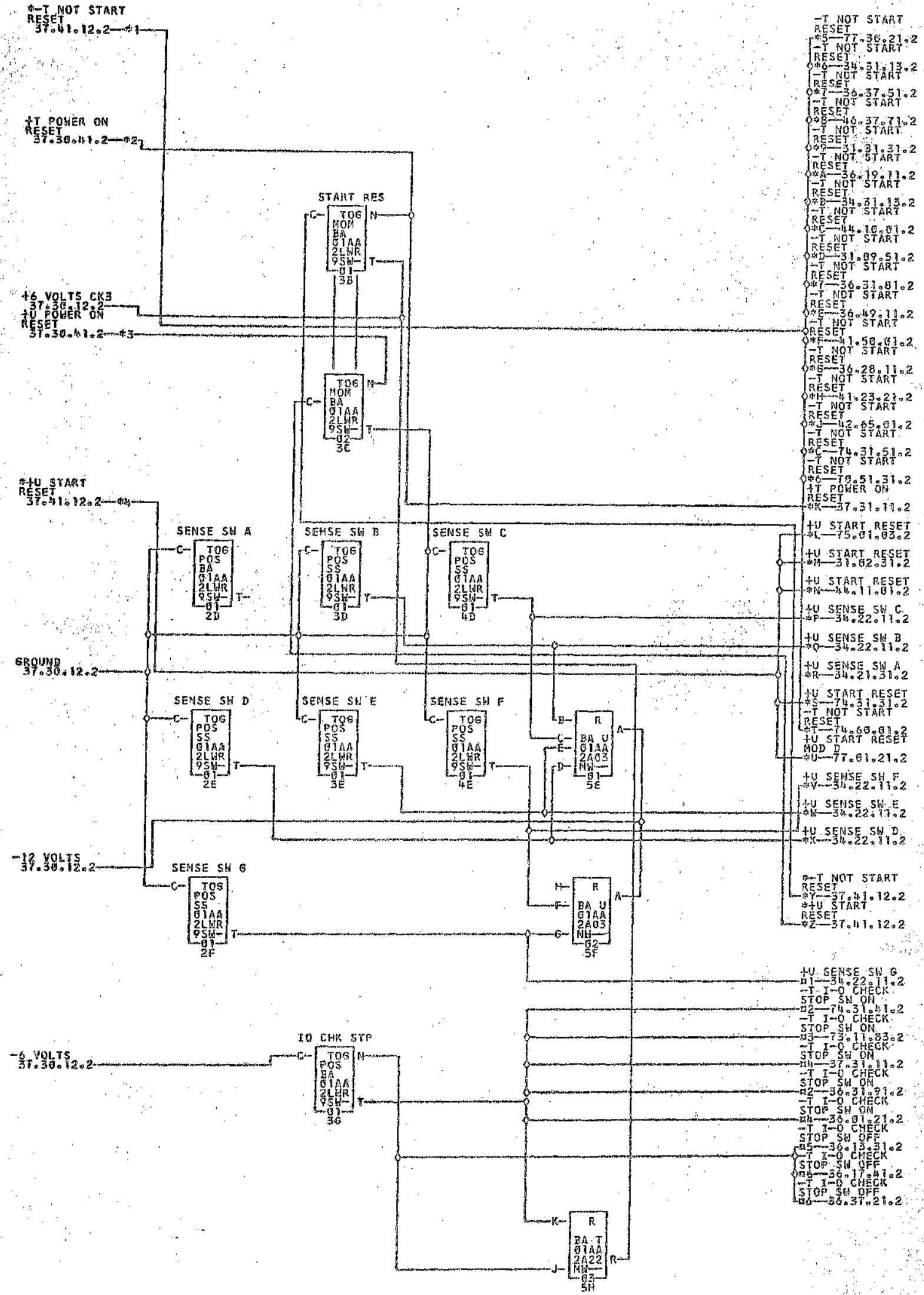
A
B
C
D
E
F
G
H



- 01-01A2A05R
- 02-01A7E26R
- 03-01ABF25R
- 04-01A2A18A
- 05-01A7E25A
- 06-01A7A25M
- 07-01ABC25N
- 08-01A2A10F
- 09-01ABC25F
- 10-01A2A02K
- 11-01A8C26K
- 12-01ABB26D
- 13-01A7E23D
- 14-01A2A02P
- 15-01ABC26P
- 16-01A7E23E
- 17-01ABE26H
- 18-01ABB26E
- 19-01A7E23F
- 20-01A2A02M

NOTE	ROT	SW	POSITION	COMMENTS
1	ROT	SW	POSITION	11
2	ROT	SW	POSITION	12
3	ROT	SW	POSITION	13
4	ROT	SW	POSITION	14
5	ROT	SW	POSITION	15
6	ROT	SW	POSITION	16

TAG	DATE	E.C.NO.	TAG	DATE	E.C.NO.	TAG	DATE	E.C.NO.
A	06-12-61	110326X	B	09-01-61	110326S	C	12-01-61	113422



*1-01A2A23M	*5-01B9RC27	*2-01A2A17J	*3-01A2A17K	01A3E26K	*4-01A2A14K
01B8RC29	01A2A23M	01B8AGAR	01A2A18J	01B3F02J	01B3A03H
02A8C07E	02A2B24J	01A2A07C	01A6D26C	01A6B256	01B5A24G
*8-01A2A07C	01A6D26C	01A6C24B	01A5D24B	01A2A08L	01B1A01L
01B1A02L	01B8D01L	01B4A03H	02B1C02P	*9-01A2A18J	01B5F02J
*C-01A2A14E	02A9F01A	02B7D02G	*E-01A2A08L	*D-01A2A11M	01B2F03M
01B2A02R	02A0E05E	02B6A02R	*6-01A2A07C	01B1A01L	*F-01A2A16J
01B3F02J	01B3A03H	02B6A02R	01A6D25F	01A6D26C	01A6D25F
01B7A02F	*H-01A2A07C	01A6D26C	01B2F03M	01B7A02F	01B7D01B
02A9C17E	02B8E01N	*J-01A2A11M	02B7D02K	01B2E05C	06B7A12C
*K-01A2A18Q	*L-01A2A14K	02A9F07A	02B7D02K	02A8F23E	*M-01A2A11F
01B2F03F	*N-01A2A14K	02A9F07A	01B6A02A	*P-01A2A04C	01B6A02C
*Q-01A2A04B	01B6A02B	*R-01A2A04A	01A6D26C	*S-01A2A14K	02A9F07A
02B7D02K	02A2B24J	*T-01A2A07C	01A6D26C	01A6D25F	01B7A02F
01B7D01B	02A9C17E	02B8D04M	*U-01A2A14K	02A9F07A	01B6A02D
*V-01A2A04F	01B6A02F	*N-01A2A04E	01B6A02E	*K-01A2A04D	01A6D26K
*Y-01B9RC26	*Z-01B9RC26	*I-01A2A03E	01B6A02E	*L-01A2A07K	01A6F25J
01A6F23J	02A9A13F	01B4A03A	01A2A07K	*2-01A6D25K	01B8A03P
01B6C03J	01A2A19A	01B7A02E	*3-01A2A19P		
01A6D26L	01A6D25E				*6-01A2A07L

COMMENTS: NOTE-WHEN A SIGNAL IS PRECEDED BY AN ASTERISK, ITS EXPANSION INDICATES CABLE WIRING FOR REMOTE RECYCLE CONTROL INSTALLATION.

TAG DATE	E.C.NO.	TAG DATE	E.C.NO.	TAG DATE	E.C.NO.	TAG DATE	E.C.NO.
A 05-12-61	110329X	D 07-01-61	1103245	C 10-04-61	112232	D 12-01-61	113422
E 08-28-62	118043						

A

A

↑↑ POWER ON
RESET
30.11.21.2---*1

↑↑ POWER ON
RESET
37.30.31.2
↑↑ POWER ON
RESET
70.11.01.2

B

↑↑ POWER ON
RESET
30.11.21.2---*2

↑↑ POWER ON
RESET
37.30.31.2

C

↑↑ INO TURN OFF
DELTA PROCESS
32.45.31.2---*3

↑↑ INO TURN OFF
DELTA PROCESS
77.30.51.2

D

D

E

F

G

H

*1---01A2A17L
02A0A17P

*2---01A2A17M
02B1B01M

*3---01A2A17R
*6---01A2A17K

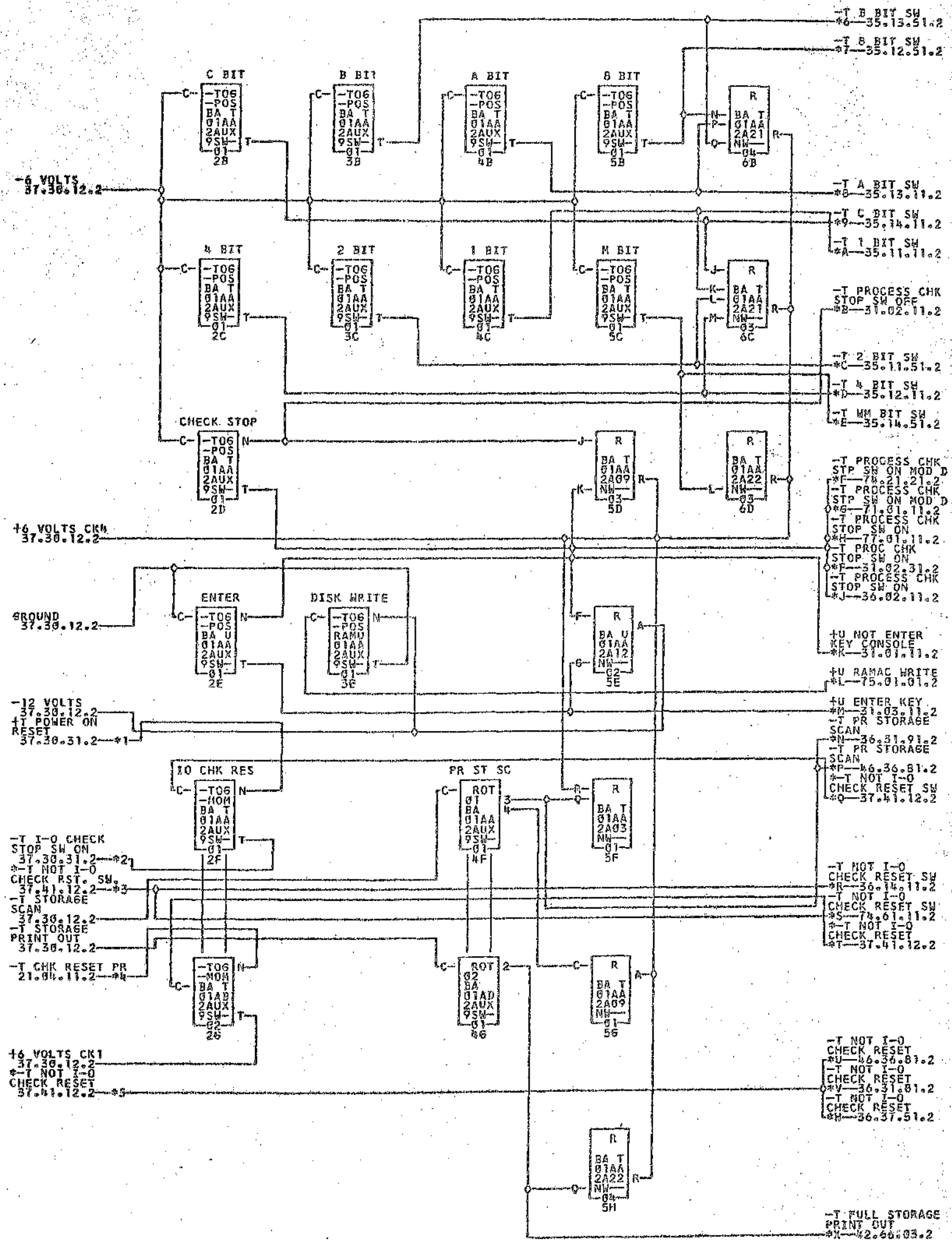
*4---01A2A17J
*7---01A2A23Q

-----01A3E24J

-----01A3A22H

*1 *2 *3 REFER TO DWG. 480614
COMMENTS

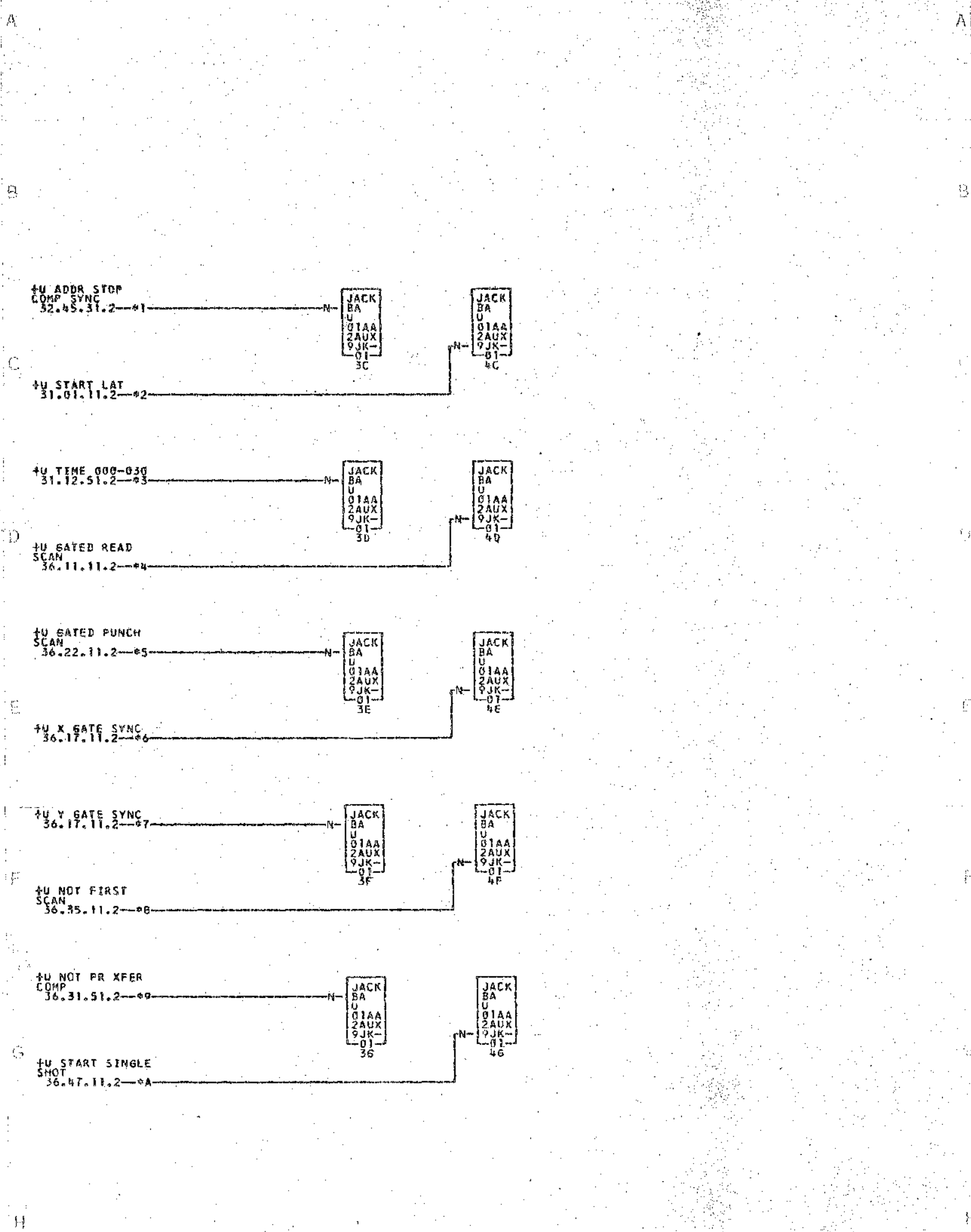
TAG	DATE	E.C.NO.	TAG	DATE	E.C.NO.	TAG	DATE	E.C.NO.	TAG	DATE	E.C.NO.
A	04-12-61	110320X	B	07-05-61	110324G	C	12-01-61	113422			



*1-01A2A18R	*2-01A2A22K	*3-01A2A19B	*4-01B8RC31	*5-01A2A07A
*6-01B8RC33	*7-01A2A17F	*8-01A3E26F	*9-01A2A17D	*10-01A3E26D
*11-01A3E26E	*12-01A2A17G	*13-01A3E26G	*14-01A2A17A	*15-01A3E26A
*16-01B2F04J	*17-01A2A17B	*18-01A3E26B	*19-01A2A17C	*20-01A3E26C
*21-01A3E26H	*22-01A2A13L	*23-01B2F04L	*24-01B2A05P	*25-02A0A19C
*26-01A2A23N	*27-01B7D01P	*28-01A2A23N	*29-02A8C26P	*30-01A2A19Q
*31-01A2A13B	*32-01B2F04B	*33-01A2A16R	*34-02A8C05A	*35-02A8E23J
*36-01B2F04C	*37-01B2F04M	*38-01A6D26M	*39-01A2A07M	*40-01A6D26H
*41-01A5D24G	*42-01B8RC30	*43-01A2A19B	*44-01B4A03B	*45-01A2A17A
*46-01B4E04F	*47-02A9A11A	*48-02B8D03F	*49-01B8RC32	*50-01A2A07A
*51-01A6C24E	*52-01A5D24E	*53-01A2A07A	*54-01A6D26A	*55-01A2A07A
*56-01A6B25F	*57-01B5A24F	*58-01A2A02M	*59-01A6D26M	*60-01A6C26H
*61-06B7A15E				

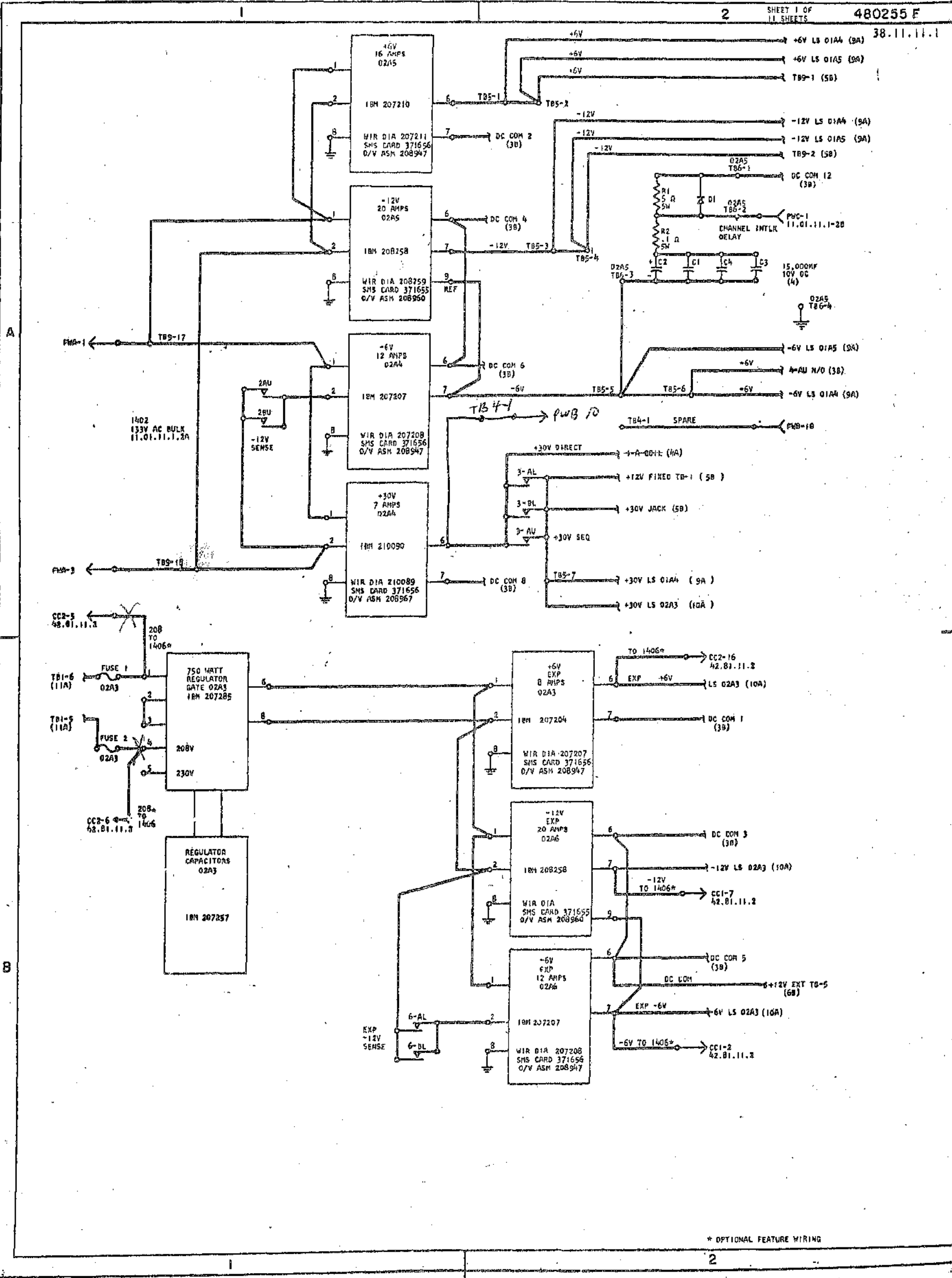
COMMENTS
 *9 TO *C RETURN TO -12 V AT 01A2A24C
 PR ST SCN SW 4F IS PRESENT ONLY FOR
 PRINT STORAGE OPTION
 WHEN A SIGNAL IS PRECEDED BY AN *
 ITS EXPANSION INDICATES CABLE WIRING FOR
 REMOTE RECYCLE CONTROL INSTALLATION.

TAG DATE E.C.NO. TAG DATE E.C.NO. TAG DATE E.C.NO. TAG DATE E.C.NO.
 A 06-12-61 110320X B 07-01-61 110324S C 10-04-61 112232 D 12-01-61 115422
 E 08-28-62 110603

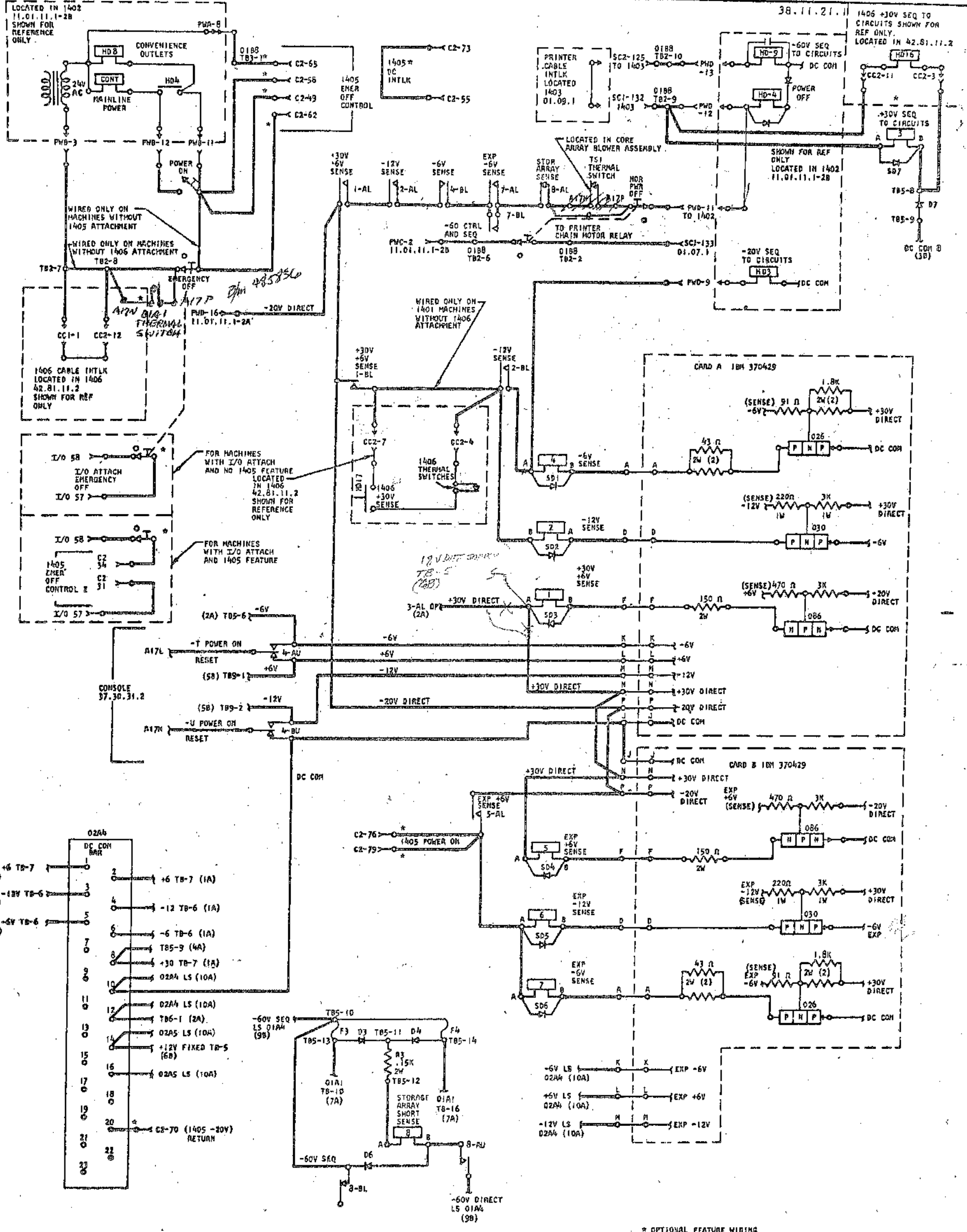


- *1--01A2A10L
- *2--01A2A11R
- *3--01A2A08P
- *4--01A2A19D
- *5--01A2A19E
- *6--01A2A19F
- *7--01A2A13N
- *8--01A2A07P
- *9--01A2A07N
- *A--01A2A06M

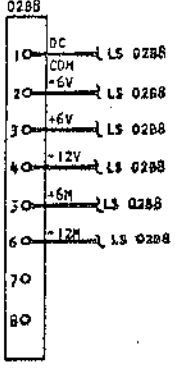
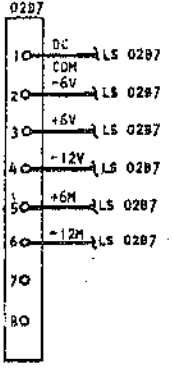
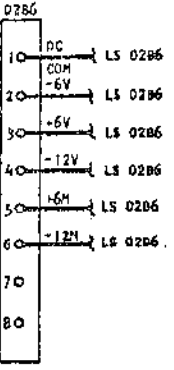
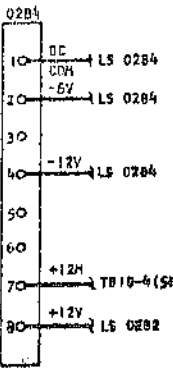
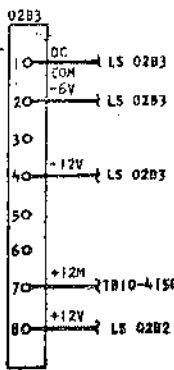
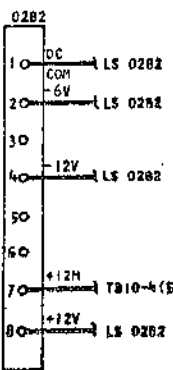
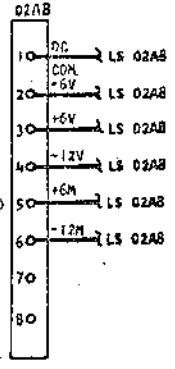
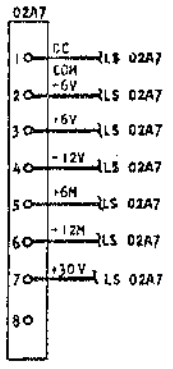
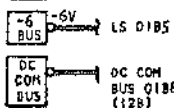
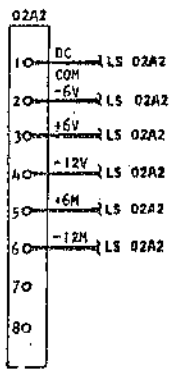
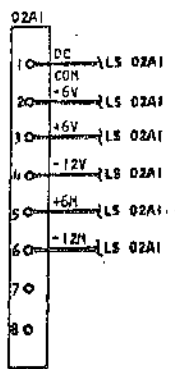
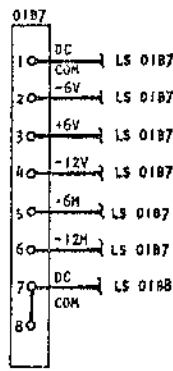
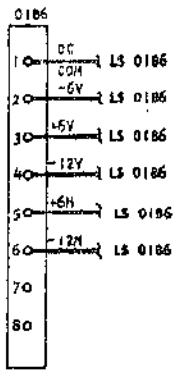
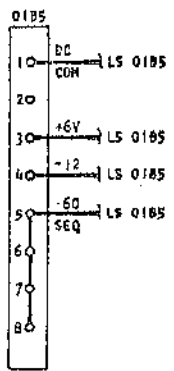
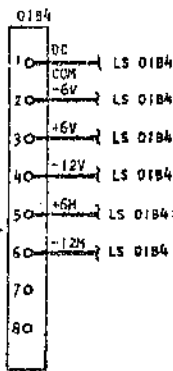
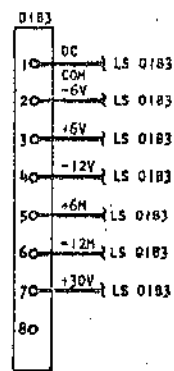
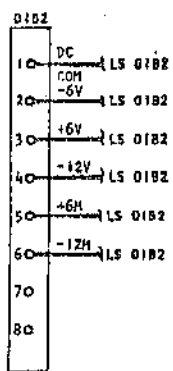
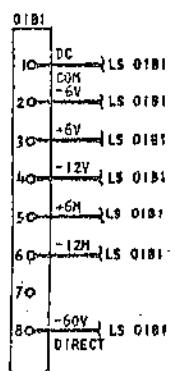
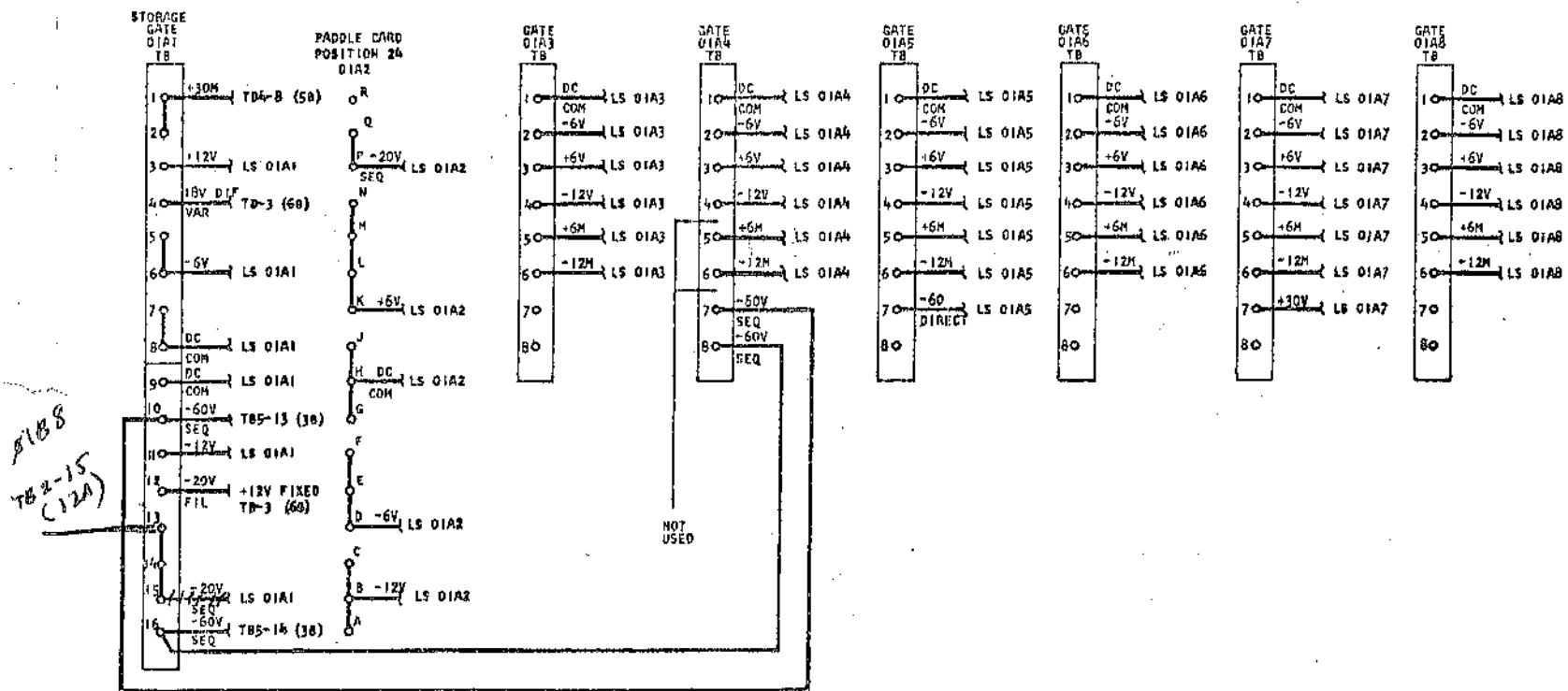
38.11.11.1



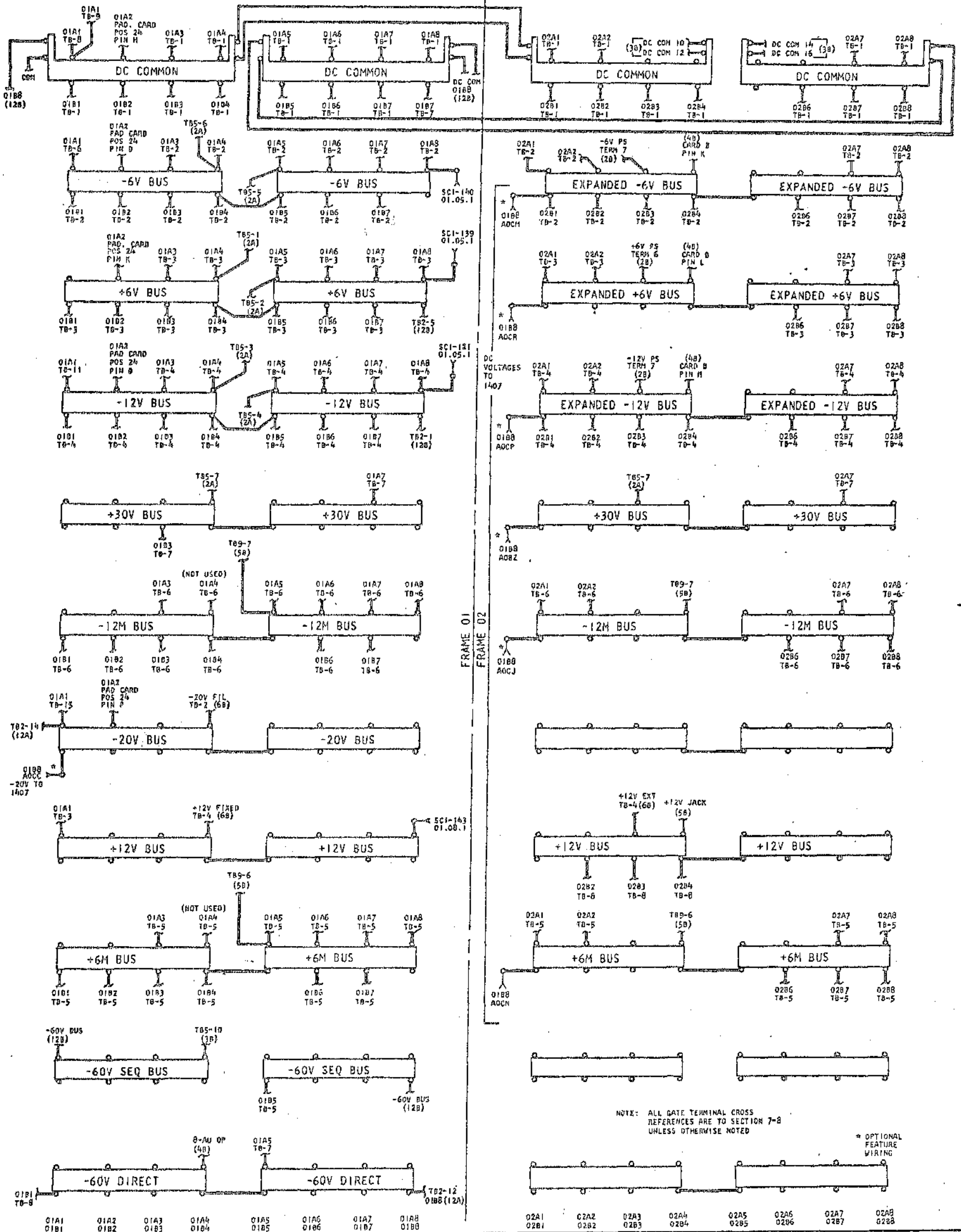
* OPTIONAL FEATURE WIRING



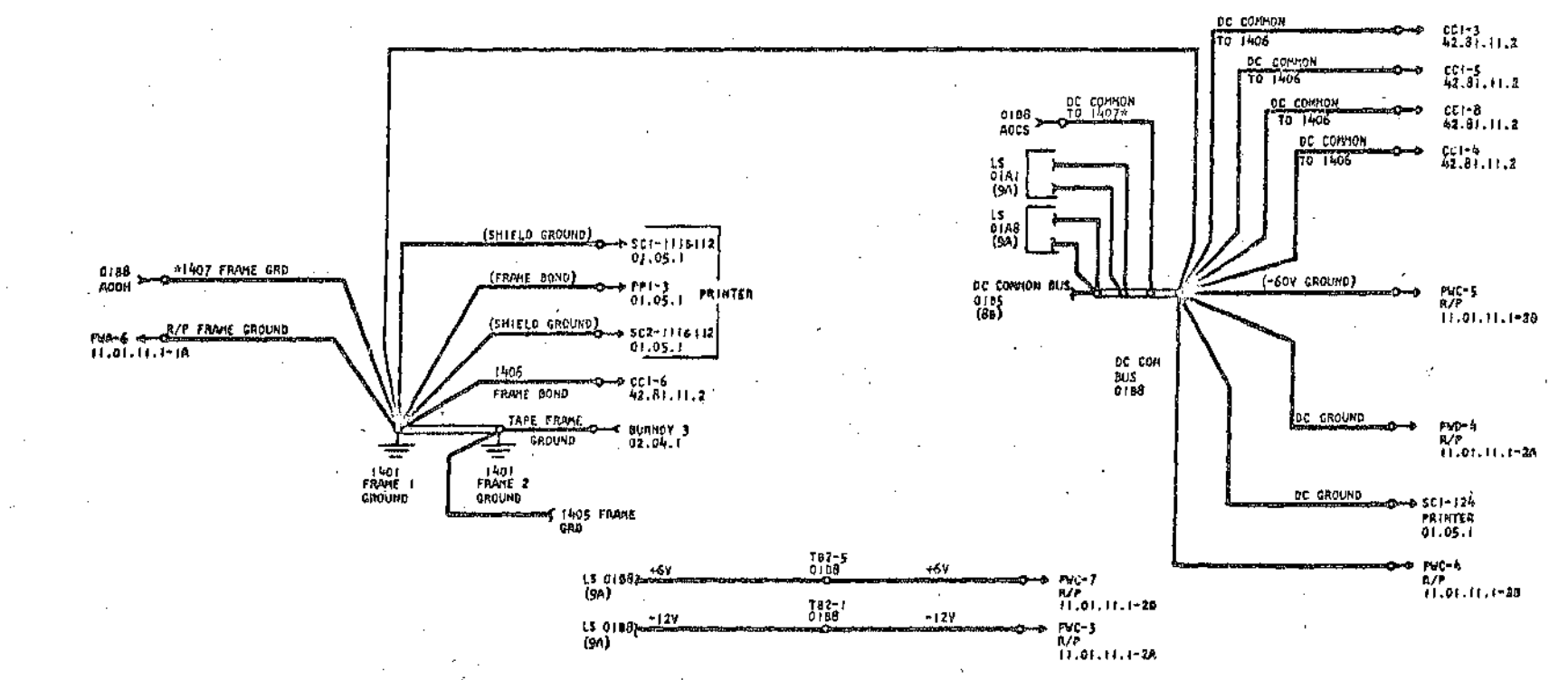
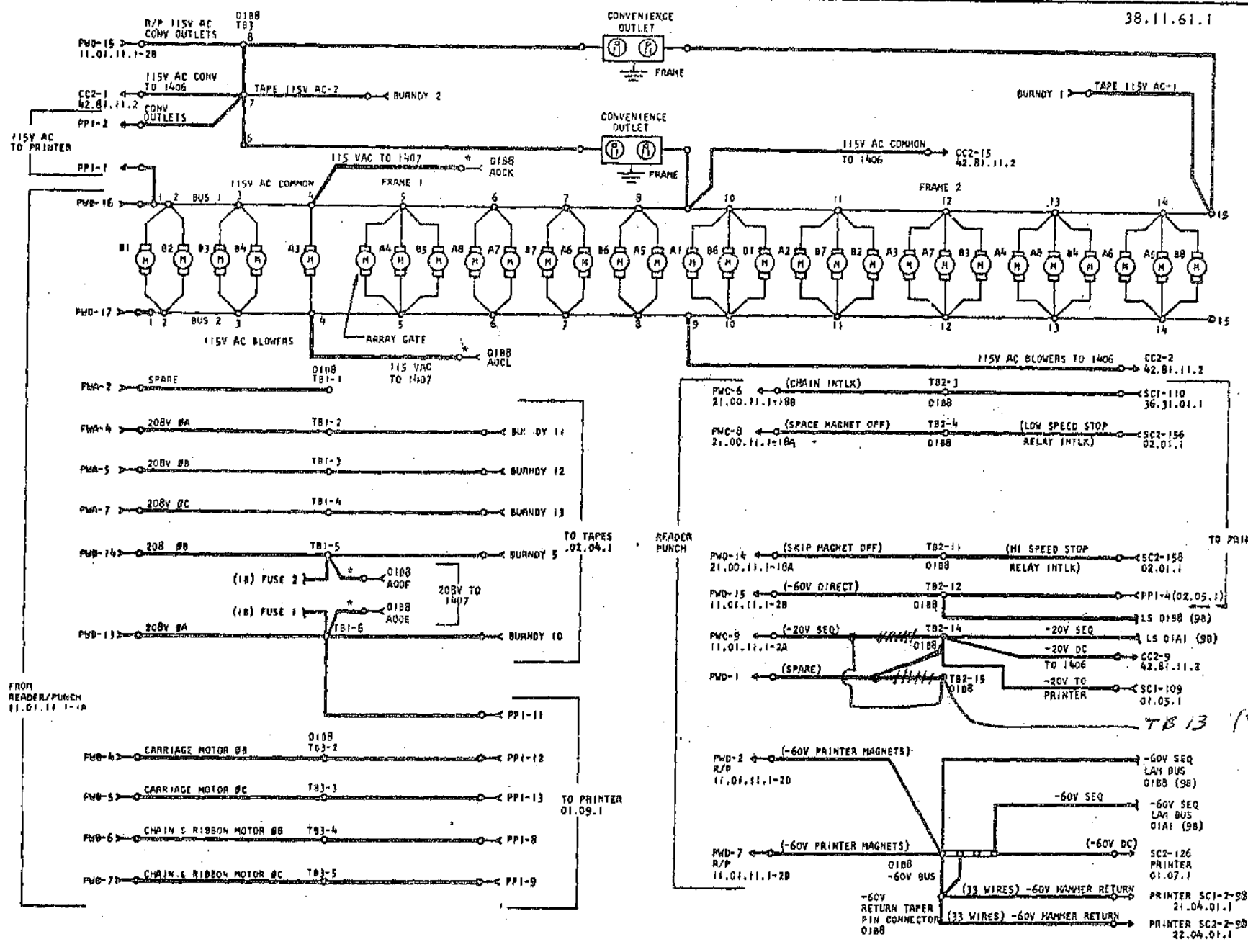
GATE TERMINAL BLOCKS-VOLTAGE DISTRIBUTION



NOTE: ALL LAMINAR STRIP (LS) CROSS REFERENCES ARE TO SECTION 9-10

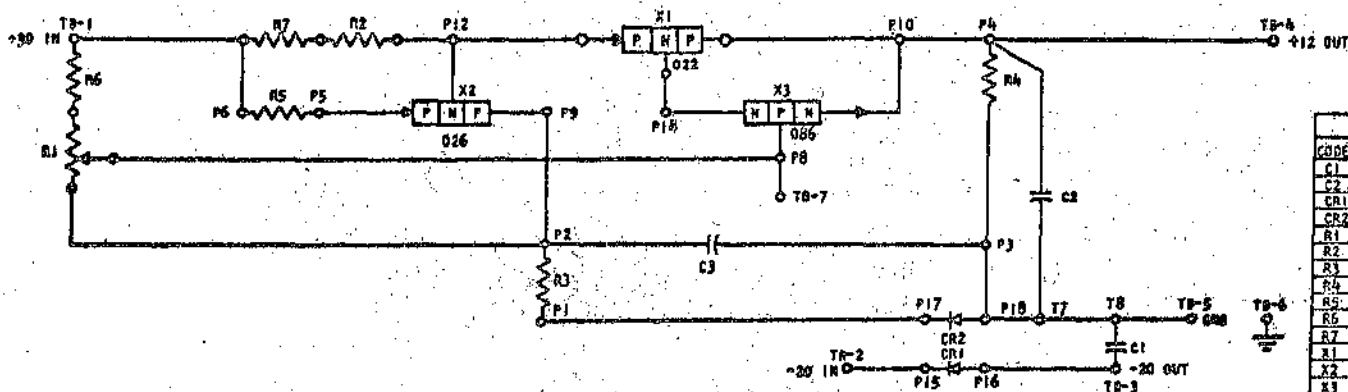


FRAME 01
FRAME 02



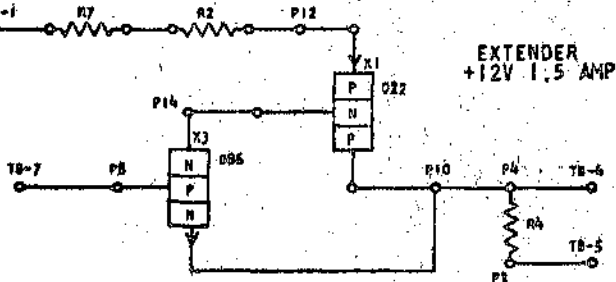
* OPTIONAL FEATURE WIRING

POWER SUPPLY
+12V AT 1.5 AMP
-20V FILTERED

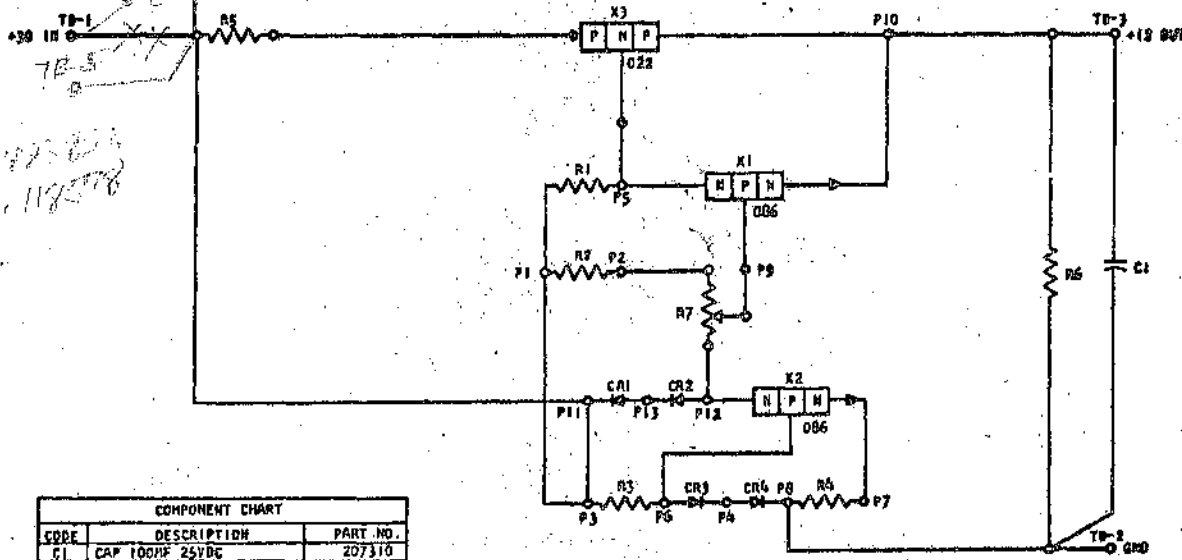


COMPONENT CHART		
CODE	DESCRIPTION	PART NO.
C1	CAP 1000UF 25VDC	482450
C2	CAP 4000UF 25VDC	207163
CR1	DIODE	257006
CR2	DIODE	205002
R1	POT .5K .5W	207150
R2	RESISTOR .005K 25W	501550
R3	RESISTOR 1K .5W	213536
R4	RESISTOR 12K 2W	317078
R5	RESISTOR 5.6K .5W	317010
R6	RESISTOR 1.6K .5W	317018
R7	RESISTOR .005K 25W	501550
X1	TRANSISTOR 022	526898
X2	TRANSISTOR 026	369087
X3	TRANSISTOR 086	369087
C3	CAP 1.0 MF 15V DC	492618

EXTENDER
+12V 1.5 AMP



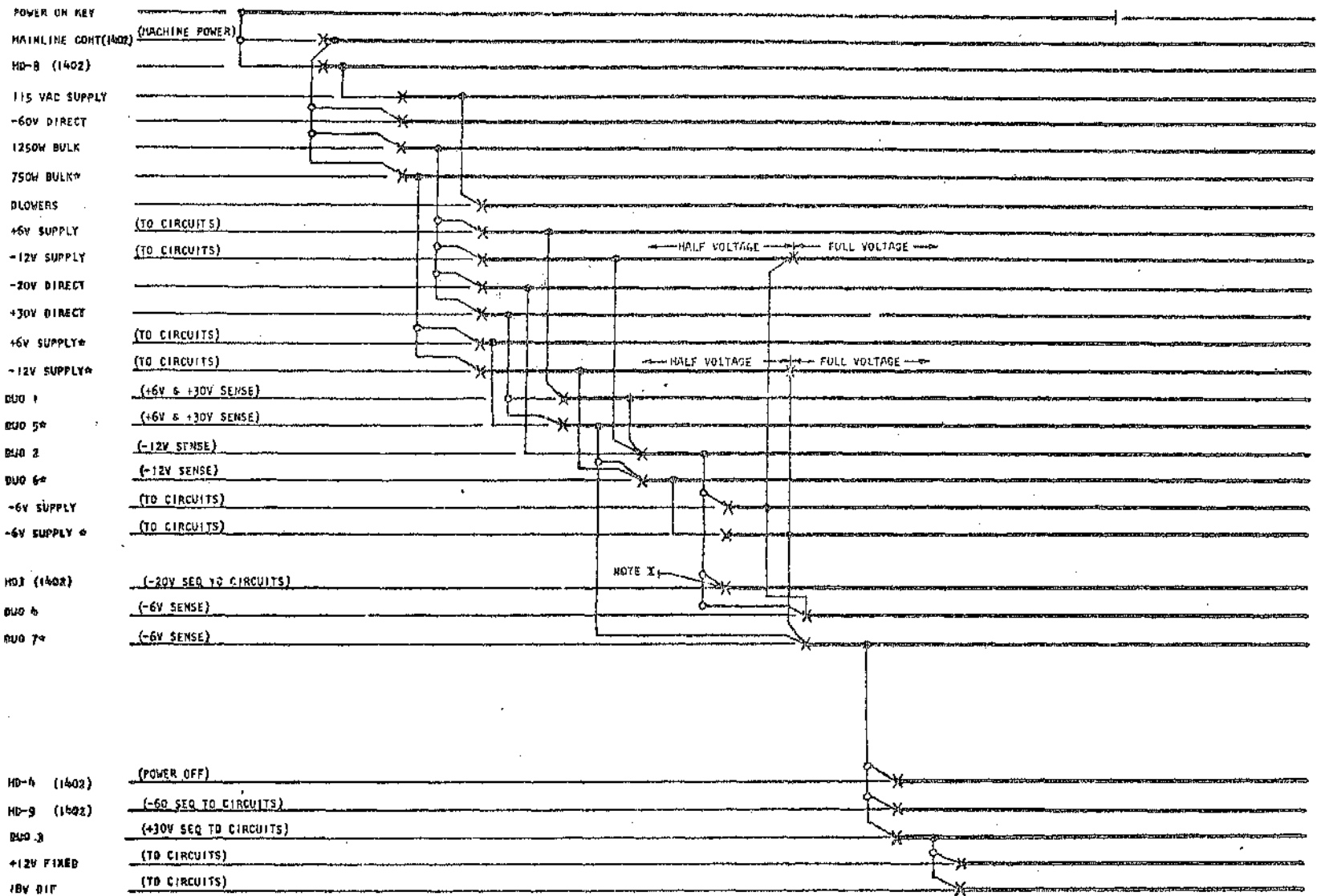
COMPONENT CHART		
CODE	DESCRIPTION	PART NO.
R2	RESISTOR .005K 25W	501550
R4	RESISTOR 12K 2W	317078
R7	RESISTOR .005K 25W	501550
X1	TRANSISTOR 022	526898
X3	TRANSISTOR 086	369087



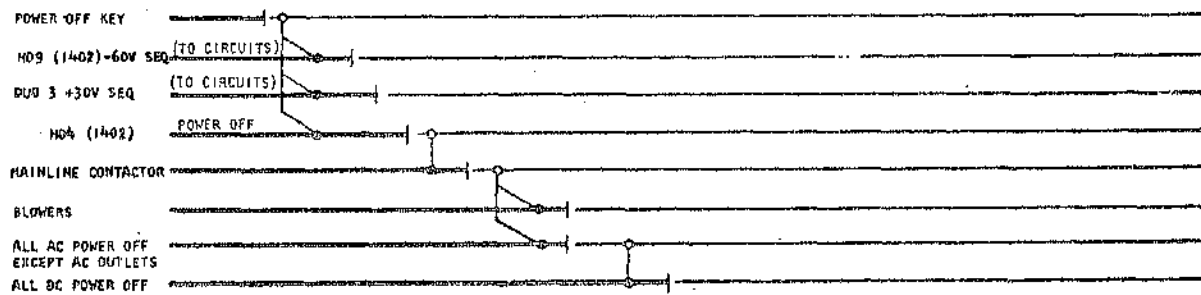
COMPONENT CHART		
CODE	DESCRIPTION	PART NO.
C1	CAP 1000UF 25VDC	207310
CR1	DIODE	205002
CR2	DIODE	205002
CR3	DIODE	491300
CR4	DIODE	491300
R1	RESISTOR 1K .5W	213693
R2	RESISTOR 1.5K .5W	317017
R3	RESISTOR 2.7K .5W	317021
R4	RESISTOR .056K .5W	132400
R5	RESISTOR .015K 10W	482450
R6	RESISTOR .010K 10W	482361
R7	POT .5K .5W	207153
X1	TRANSISTOR 086	369087
X2	TRANSISTOR 086	369087
X3	TRANSISTOR 022	526898

POWER SUPPLY
18V DIFFERENTIAL
VOLTAGE
FOR MEMORY

1401-1402
POWER ON SEQUENCE



1401-1402
POWER OFF SEQUENCE



NOTE
 X FOR SYSTEM MACHINES WITH INCREASED CORE STORAGE, THIS POINT ALSO SENSES THE 1406 +30V SENSE RELAY HD-17. FAILURE OF THE 1406 +30V SUPPLY WILL NOT ALLOW THE 1401-1402 TO SEQUENCE ANY FURTHER.

* EXPANDED (SUPPLIES IN GATES 02A3 AND 02A5)

TERMINAL BLOCKS																
TB	DATE	TERMINALS														
		1	2	3	4	5	6	7	8	9	10	11	12	13	14	15
1	0188	11A	11A	11A	11A	11A	11A	11A	11A	11A	11A	11A	11A	11A	11A	11A
2	0188	12B	4A	12A	12A	12B	4A	3A	2A	4A	4A	12A	12A		12A	12A
3	0188	3A	11A	11A	11A	11B	11A	11A	11A							
4	02A4	2A	5B	5B	5B	5B	5B	5B	5B							
5	02A4	2A	2A	2A	2A	2A	2A	2A	2A							
6	02A5	2A	2A	2A	2A											
7	02A4	5B	5B	5B	5B	5B	5B	5B	5B							
8	02A4	5B	5B													
9	02A4	5B	5B													
10	02A4	5B	5B													
11	02A4	5B	5B													
12	02A4	5B	5B													
13	02A4	5B	5B													

COLOR CODING	
+30	- PINK (OR RED)
+12	- GREY
+4	- ORANGE
+6A	- TAN
DC COMMON GROUND	- BLACK
-6	- BLUE
-12	- VIOLET
-12M	- AQUA
-20	- WHITE WITH VIOLET TRACER
+60	- WHITE WITH GREEN TRACER
FRAME GROUND	- GREEN (OR LINE)
+30M	- RED WITH WHITE TRACER
18V DIF	- WHITE WITH GREY TRACER
+12M	- WHITE

EXTERNAL POWER CABLES - 1402 READER PUNCH TO 1401 PROCESS UNIT

R/P DRAWING	R/P CONNECTOR	FUNCTION	1401 TERMINATION	1401 DRAWING
11.01.11.1-2A	PWA - 1	113 V.A.C. BULK SUPPLY	T89-17 02A4	38.11.61.1-11A
		SPARE	T81-1 0188	38.11.61.1-11A
11.01.11.1-2A	- 2	113 V.A.C. BULK SUPPLY	T89-18 02A4	38.11.61.1-11A
11.01.11.1-1A	- 4	208 V.A.C. 8A TAPE DRIVE	T81-2 0188	38.11.61.1-11A
11.01.11.1-1A	- 5	208 V.A.C. 8B TAPE DRIVE	T81-3 0188	38.11.61.1-11A
11.01.11.1-1A	- 6	R/P FRAME GROUND	FRAME 1 BOND	38.11.61.1-11B
11.01.11.1-1A	- 7	208 V.A.C. 8C TAPE DRIVE	T81-4 0188	38.11.61.1-11A
11.01.11.1-2B	- 8	24V AC COMMON	T83-1 0188	38.11.21.1-3A
11.01.11.1-2A	PVB - 1	INTERLOCK	T84-2 02A4	38.11.31.1-5B
		SPARE	T84-3 02A4	38.11.31.1-5B
11.01.11.1-1A	- 3	EMERGENCY STOP	T82-7 0188	38.11.21.1-3A
21.00.11.1-18A	- 4	CARRIAGE MOTORS-208 VAC	T83-2 0188	38.11.61.1-11A
21.00.11.1-18B	- 5	CARRIAGE MOTORS-208 VAC	T83-3 0188	38.11.61.1-11A
21.00.11.1-18A	- 6	CHAIN & RIB MOTORS-208 VAC	T83-4 0188	38.11.61.1-11A
21.00.11.1-18B	- 7	CHAIN & RIB MOTORS-208 VAC	T83-5 0188	38.11.61.1-11B
11.01.11.1-2A	- 8	INTERLOCK	T84-5 02A4	38.11.31.1-5B
11.01.11.1-2A	- 9	SPARE	T84-6 02A4	38.11.31.1-5B
11.01.11.1-2A	- 10	SPARE	T84-7 02A4	38.11.31.1-5B
11.01.11.1-1A	- 11	POWER ON SWITCH	P ON SW 01A2	38.11.21.1-3A
11.01.11.1-1A	- 12	POWER ON SWITCH	P ON SW 01A2	38.11.21.1-3A
11.01.11.1-1A	- 13	208 VAC	T81-5 0188	38.11.61.1-11A
11.01.11.1-1A	- 14	208 VAC	T81-6 0188	38.11.61.1-11A
11.01.11.1-2B	- 15	CONV. OUTLETS-115 V.A.C.	T83-8 0188	38.11.61.1-11A
11.01.11.1-2B	- 16	115 V.A.C. COMMON	115V BUS-1 0188	38.11.61.1-11A
11.01.11.1-2B	- 17	BLOWERS-115 VAC	115V BUS-2 0188	38.11.61.1-11A
11.01.11.1-2B	PWC - 1	-6 V.D.C. FILTER DELAY	T86-2 02A5	38.11.11.1-2A
21.00.11.1-17A	- 2	-60V CTRL'D & SEQ.C.R.P.	T82-6 0188	38.11.21.1-3A
11.01.11.1-2A	- 3	-12 VOLTS DC	T82-1 0188	38.11.61.1-12B
11.01.11.1-2B	- 4	-60V DC COMMON GROUND	GND BUS 0188	38.11.61.1-12B
11.01.11.1-2B	- 5	-60V DC COMMON GROUND	GND BUS 0188	38.11.61.1-12B
21.00.11.1-18B	- 6	CHAIN INTLK	T82-3 0188	38.11.61.1-12A
11.01.11.1-2B	- 7	+6 VOLTS DC	T82-5 0188	38.11.61.1-12B
21.00.11.1-18B	- 8	SPACE MAGNET OFF	T82-4 0188	38.11.61.1-12A
11.01.11.1-2A	- 9	-20V SEQ-HEM RETURN	T82-14 0188	38.11.61.1-12A
	PWD - 1	SPARE	T82-15 0188	38.11.61.1-12A
11.01.11.1-2B	- 2	-60V SEQ PRINTER MAGS	-60V BUS 0188	38.11.61.1-12A
11.01.11.1-2A	- 3	+3V	T81-1 02A4	38.11.31.1-5B
11.01.11.1-2A	- 4	DC COMMON GROUND	GND BUS 0188	38.11.61.1-12B
11.01.11.1-2A	- 5	MC CONTROL	T84-7 02A4	38.11.31.1-5B
11.01.11.1-2A	- 6	+3V	T81-2 02A4	38.11.31.1-5B
11.01.11.1-2B	- 7	-60V SEQ PRINTER MAGS	-60V BUS 0188	38.11.61.1-12B
11.01.11.1-2A	- 8	BUCK-BOOST	T84-6 02A4	38.11.31.1-5B
11.01.11.1-2B	- 9	-20V SENSE CONTROL	3A COIL 02A4	38.11.21.1-4A
11.01.11.1-2B	- 11	POWER OFF SWITCH	P.O. SW 01A2	38.11.21.1-4A
11.01.11.1-2B	- 12	PRINTER INTLK CTRL-1	T82-9 0188	38.11.21.1-4A
11.01.11.1-2B	- 13	PRINTER INTLK CTRL-2	T82-10 0188	38.11.21.1-4A
21.00.11.1-18A	- 14	SKIP MAG OFF RELAY INTLK	T82-11 0188	38.11.61.1-12A
11.01.11.1-2B	- 15	SPACE MAGNETS	T82-12 0188	38.11.61.1-12A
11.01.11.1-2A	- 16	-20 VOLTS DC DIRECT	1A1-0P 02A4	38.11.21.1-3A
11.01.11.1-2A	- 17	BUCK-BOOST	T84-6 02A4	38.11.31.1-5B
		SPARE	TAPED	

EXTERNAL POWER CABLE-1401 PROCESS UNIT TO 1406 EXP CS					
1401 DRAWING	1401 TERMINATION	FUNCTION	1406 CONNECTOR	1406 DRAWING	
38.11.21.1-3A	T82-7 0188	CABLE INTERLOCK	CC1-1	42.81.11.2	
38.11.11.1-2A	-5V EXP TB-7	-6V DC	CC1-2	42.81.11.2	
38.11.61.1-12B	DC COM 0188	DC COMMON	CC1-3	42.81.11.2	
38.11.61.1-12B	DC COM 0188	DC COMMON	CC1-4	42.81.11.2	
38.11.61.1-12B	DC COM 0188	DC COMMON	CC1-5	42.81.11.2	
38.11.61.1-11B	1401 FRAME GND	FRAME BOND	CC1-6	42.81.11.2	
38.11.11.1-2B	-12V EXP TB-7	-12V	CC1-7	42.81.11.2	
38.11.61.1-12B	DC COM BUS 0188	DC COMMON	CC1-8	42.81.11.2	
38.11.61.1-11A	T83-7 0188	115V AC CONV OUTLETS	CC2-1	42.81.11.2	
38.11.61.1-12A	T8 AC BUS 2	115V AC BLOWERS	CC2-2	42.81.11.2	
38.11.21.1-4A	T85-8 02A4	+30V SEQ TO CIRCUITS	CC2-3	42.81.11.2	
38.11.21.1-3A	2 BL-OP	THERMAL SWITCHES	CC2-4	42.81.11.2	
38.11.11.1-1A	750W REG TB-4	208 VAC	CC2-5	42.81.11.2	
38.11.11.1-1A	750W REG TB-1	208 VAC	CC2-6	42.81.11.2	
38.11.21.1-3A	18L-N/D	+30V SENSE	CC2-7	42.81.11.2	
		SPARE	CC2-8	42.81.11.2	
38.11.61.1-12A	T82-14 0188	-20V DC	CC2-9	42.81.11.2	
		SPARE	CC2-10		
38.11.21.1-4A	T82-9 0188	+30V SEQ TO CIRCUITS	CC2-11	42.81.11.2	
38.11.21.1-3A	T82-8 0188	CABLE INTERLOCK	CC2-12	42.81.11.2	
38.11.31.1-5B	T89-3 02A4	+6M	CC2-13	42.81.11.2	
38.11.31.1-5B	T89-5 02A4	-12M	CC2-14	42.81.11.2	
38.11.61.1-12A	T8 AC BUS 1	115V AC COMMON	CC2-15	42.81.11.2	
38.11.11.1-2B	+6V EXP TB-6	+6V DC	CC2-16	42.81.11.2	
		SPARE	CC2-17		

EXTERNAL POWER LINES-1401 PROCESS UNIT TO 1405 FILE				
1401 DRAWING	1401 TERMINATION	FUNCTION	1405 CONNECTOR	
38.11.21.1-3A	POWER ON SW	1405 EMER OFF CONTROL	C2-49 0285	
38.11.21.1-3A	POWER ON SW	1405 EMER OFF CONTROL	C2-58 0285	
38.11.21.1-3A	1401-C2 COMM	DC INTERLOCK	C2-55 0285	
38.11.21.1-3A	EMER OFF SW	1405 EMER OFF CONTROL 1	C2-62 0285	
38.11.21.1-3A	T83-1 0188	1405 EMER OFF CONTROL 1	C2-65 0285	
38.11.21.1-3B	DC COM BAR-T20	1405-20V RETURN	C2-70 0285	
38.11.21.1-3A	1401-C2 COMM	DC INTERLOCK	C2-73 0285	
38.11.21.1-2B	5AL-N/D	1405 POWER ON	C2-76 0285	
38.11.21.1-3B	5AL-N/D	1405 POWER ON	C2-79 0285	
38.11.21.1-3A	EMER OFF SW	1405 EMER OFF CONTROL 2	C2-31 0285	
38.11.21.1-3A	I/O 57	1405 EMER OFF CONTROL 2	C2-34 0285	

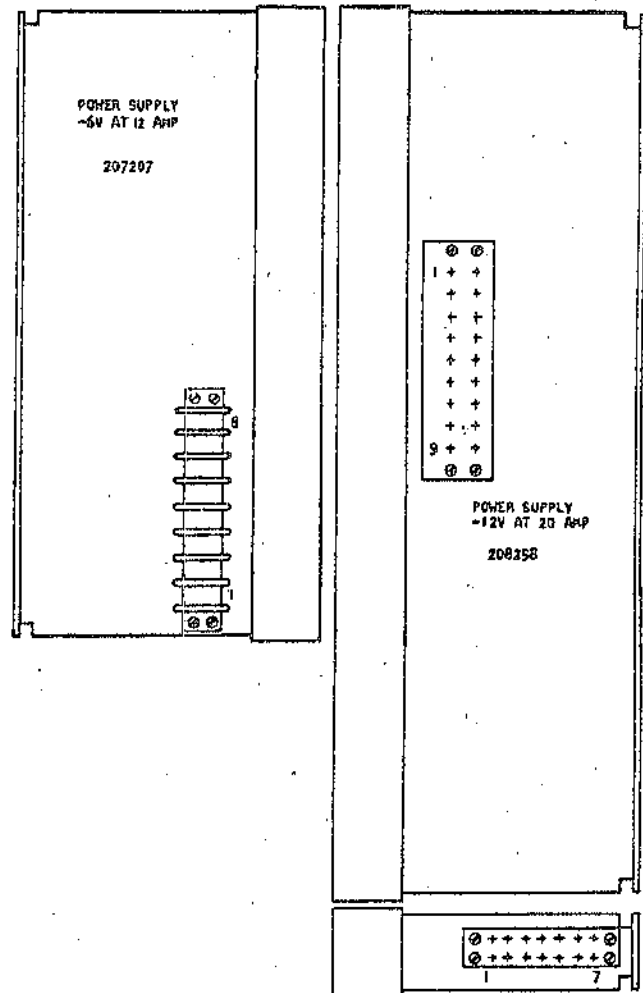
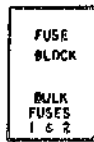
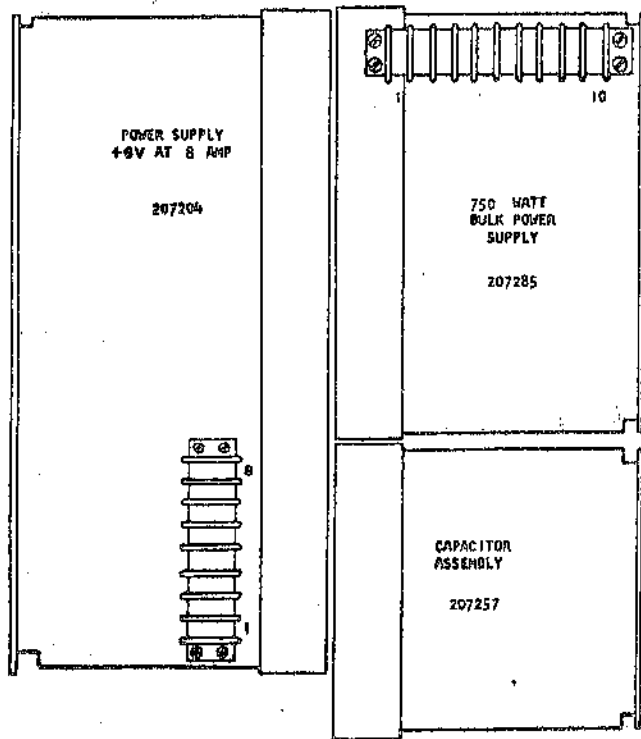
POWER SWITCH LOCATION CHART		LOC
MACHINE POWER OFF		4A
MACHINE POWER ON		3A
EMERGENCY OFF		3A
MARGINAL CHECK BUCK-BOOST		5B

RELAYS									
NO	COIL	AU	AL	BU	BL	LOC	PART NO		
1	4A	3A	2A	1A	2A	02A4	122532		
2	4A	1A	3A	1A	4A	02A4	480558		
3	4A	2A	2A	2A	2A	02A4	480558		
4	4A	3B		3B	3A	02A4	480558		
5	4B		4B			02A4	122532		
6	4B		1B		1B	02A4	480558		
7	4B		4A		4A	02A4	480558		
8	3B	4B	4A	3B	02A4	167436			

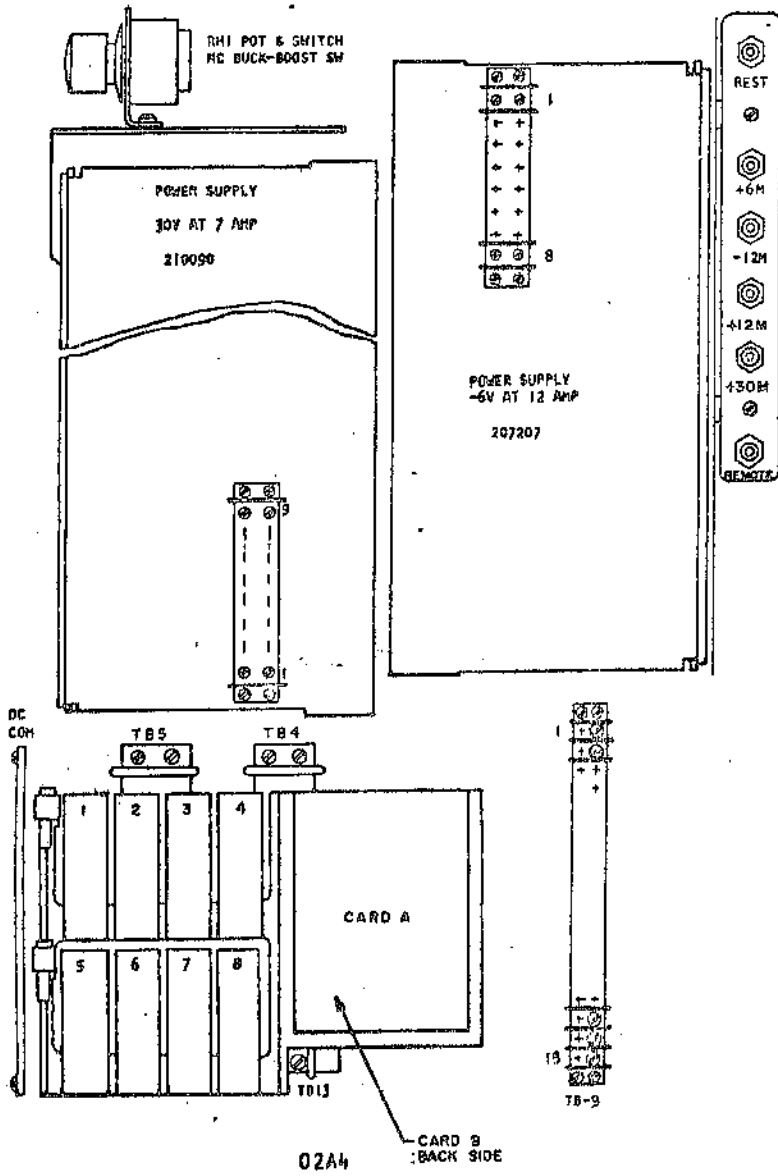
COMPONENT CHART			
CODE	DESCRIPTION	LOC	PART NO
D1	DIODE	2A	522877
SD1	SUPPRESSION DIODE	4A	480550
SD2	SUPPRESSION DIODE	4A	480550
SD3	SUPPRESSION DIODE	4B	480550
SD4	SUPPRESSION DIODE	4B	480550
SD5	SUPPRESSION DIODE	4B	480550
SD6	SUPPRESSION DIODE	4B	480550
R1	RESISTOR .005K 5W	2A	478750
R2	RESISTOR .000K 5W	2A	207324
R3	RESISTOR ASM. 15K 2W	3B	722303
C1	CAP 15,000 MF 10V DC	2A	479953
C2	CAP 15,000 MF 10V DC	2A	479953
C3	CAP 15,000 MF 10V DC	2A	479953
C4	CAP 15,000 MF 10V DC	2A	479953
C5	CAP .50MF 12V DC	5B	521737
C6	CAP .50MF 12V DC	5B	521737
R111	POT 6 SW 1K 2W	5B	210846
F1	FUSE FNM-5 AMP	1B	107666
F2	FUSE FNM-5 AMP	1B	107666
T51	THERMAL SW N/C (125°F)	4A	440740
F3	FUSE ASM 1.5A	3B	481025
F4	FUSE ASM 1.5A	3B	481025
D3	1N92 DIODE ASM	3B	545971
D4	1N92 DIODE ASM	3B	545971

EXTERNAL POWER LINES-1401 PROCESS UNIT TO 1403 PRINTER				
1401 DRAWING	1401 TERMINATION	FUNCTION	1403 CONNECTOR	1403 DRAWING
38.11.61.1-11A	115V BUS 0188	115V AC COMMON	PP1-1	01.05.1
38.11.61.1-11A	T83-7 0188	115V CONV OUTLETS	PP1-2	01.05.1
38.11.61.1-11B	1401 FRAME	FRAME BOND	PP1-3	01.05.1
38.11.61.1-12A	T82-12 0188	SPACE MAGNETS -60V DC	PP1-4	01.05.1
38.11.61.1-11B	T83-4 0188	CHAIN AND RIBBON M-208V 8C	PP1-8	01.09.1
38.11.61.1-11B	T83-5 0188	CHAIN AND RIBBON M-208V 8C	PP1-9	01.09.1
38.11.61.1-11B	T81-6 0188	208 VOLTS AC 8A	PP1-11	01.09.1
38.11.61.1-11B	T83-2 0188</			

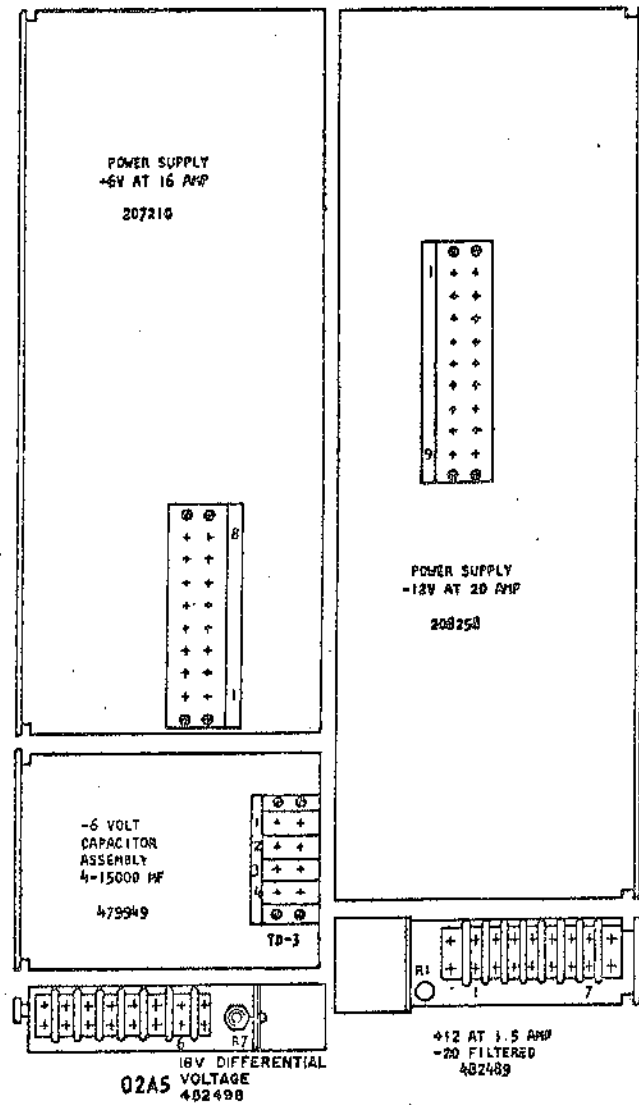
POWER SUPPLY GATE LAYOUTS



02A6



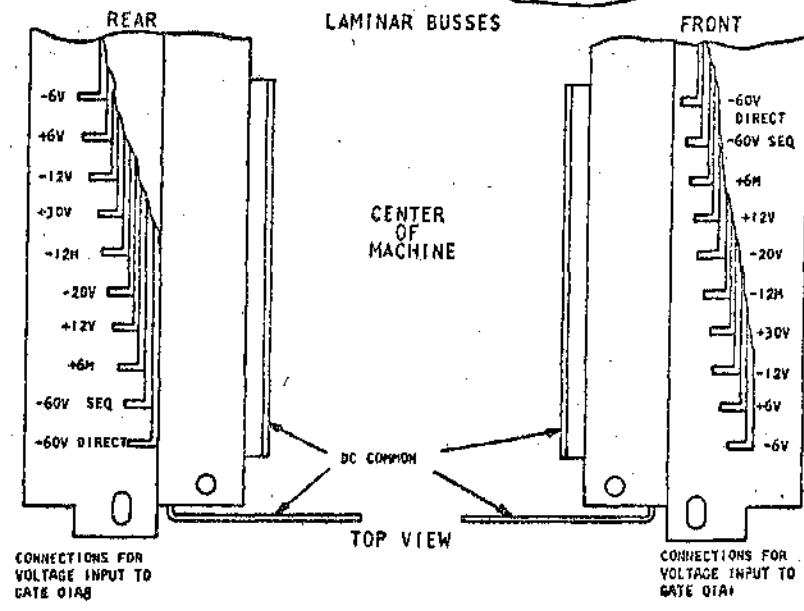
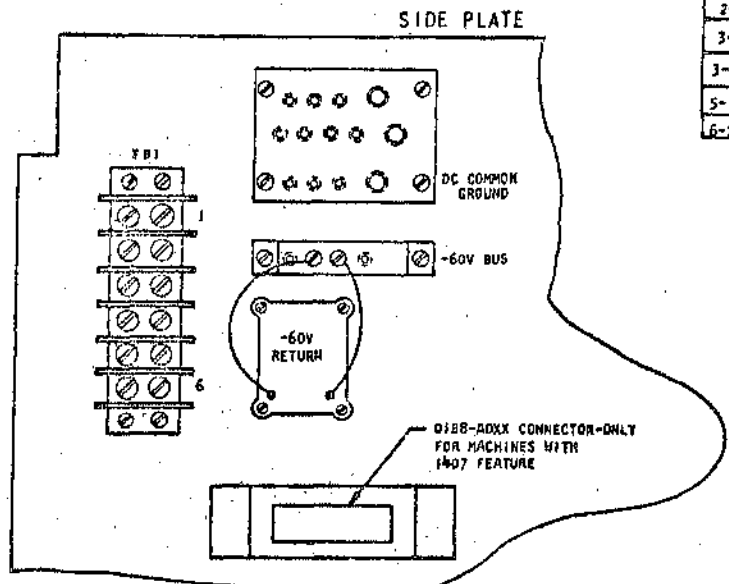
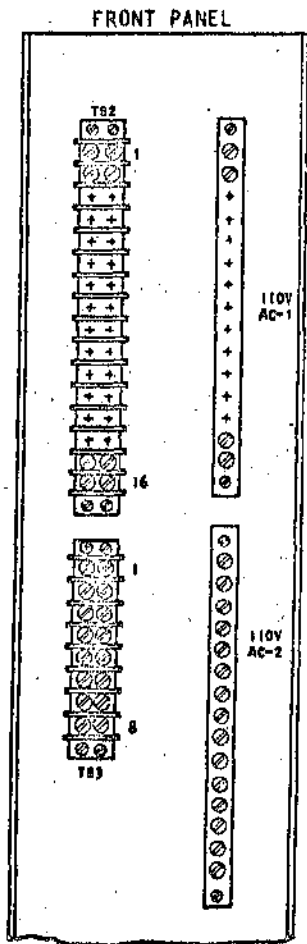
19



20

GATE LAYOUT 0188

DATE	CHANGE NO
10-5-60	1005020
11-3-60	110319A
2-16-61	110319G
3-16-61	110743A
3-28-61	110559C
5-18-61	110316A
6-26-61	110316D



INTERNATIONAL BUSINESS MACHINES CORP			
NAME	WIRING DIAGRAM-POWER SUPPLY		
MODEL	C, E OR MODEL F WITH TAPES		
DESIGN		TYPE	1401
DETAIL	WCB 9-10-60	SCALE	NONE
CHECK	N.M. 10-2-60	DRAW	MDE 9-8-60
APPRO	NUM 10-3-60	CHECK	